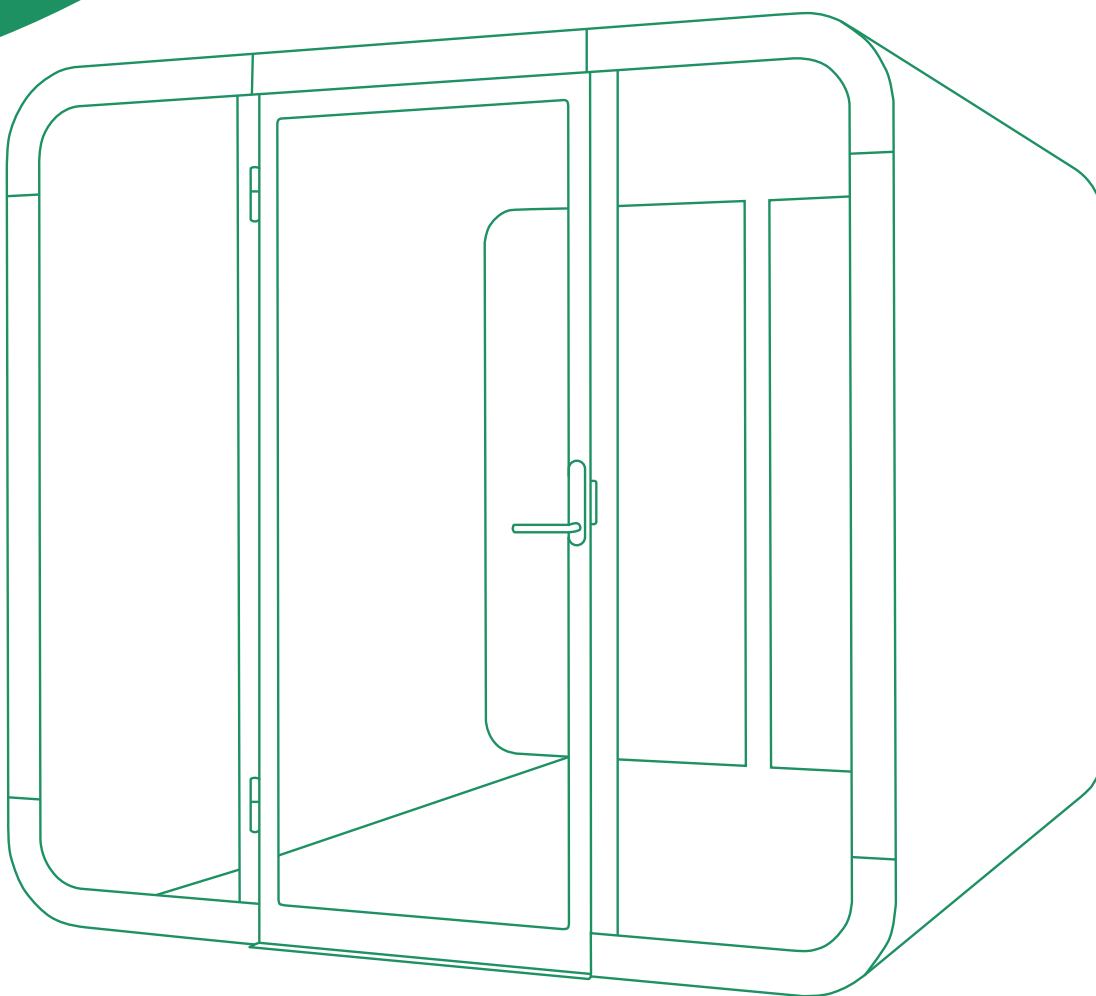


# framery

SERIOUS ABOUT HAPPINESS



Framery 2Q  
Basic Care Instructions

English  
Version 1.0  
Tampere, Finland 1.11.2021



# Contents

<b>1 Important safety and product instructions.....</b>	<b>5</b>
1.1 Preface.....	5
1.2 Product information.....	5
1.3 Copyright.....	5
1.4 Manual contents.....	5
1.5 Warning, information, and safety symbols in this manual.....	5
1.6 Main safety risks related to the installation, maintenance, disassembly, and use of the product.....	6
1.6.1 Installation, maintenance, and disassembly.....	6
1.6.2 Electrical safety.....	7
1.6.3 Fire safety.....	8
1.6.4 Lifting safety.....	8
1.6.5 Moving the product on casters (optional).....	8
<b>2 Tools and accessories.....</b>	<b>10</b>
<b>3 Check the overall condition of the pod.....</b>	<b>11</b>
<b>4 Disconnect the power cord.....</b>	<b>13</b>
<b>5 Service the door.....</b>	<b>14</b>
5.1 Adjust the door height.....	14
5.2 Adjust the automatic door seal.....	16
5.3 Tighten the handle and lock screws.....	17
5.4 Tighten the hinge screws.....	18
<b>6 Tighten all the screws.....</b>	<b>20</b>
6.1 Tighten all the screws (2Q Lounge).....	20
6.2 Tighten all the screws (2Q Huddle).....	22
6.3 Tighten all the screws (2Q Standard).....	24
<b>7 Clean the fans.....</b>	<b>27</b>
<b>8 Clean the pod.....</b>	<b>31</b>
<b>9 Check the functionality of electrical components.....</b>	<b>35</b>



# 1 Important safety and product instructions

## 1.1 Preface

This instruction manual describes the maintenance of the product. Everyone involved in the maintenance of the product must read and understand the contents of the maintenance and safety instructions.

This instruction manual gives you necessary information for the correct maintenance.

## 1.2 Product information

The information in this manual corresponds to the product at the time of delivery. All information included in this manual is valid at the time of publication.

## 1.3 Copyright

This document must not be copied, presented, or delivered to a third party without explicit permission from Framery. The use of this document for any purpose other than those allowed by Framery is prohibited. Framery reserves the right to change the instructions related to the product without separate notice.

## 1.4 Manual contents

The maintenance instructions contain the following information:

- General information about the purpose and content of the instructions
- Information related to safety
- Maintenance instructions



## 1.5 Warning, information, and safety symbols in this manual

The warnings in this manual have been divided into the following two categories:


- The term "DANGER" indicates a hazardous situation which, if not avoided, will result in death or serious injury.
- The term "WARNING" indicates a hazardous situation which, if not avoided, could result in death or injury.

The safety symbols found in this manual may also be posted on the product. All personnel who install, disassemble, perform maintenance, or use the product are to be familiar with and observe all safety symbols, labels, and instructions about the action they are performing.


**Table 1: Hazard**

	An exclamation point symbol inside a colored triangle indicates a hazardous situation.
	

**Table 2: Mandatory action**






	A white symbol inside a colored circle indicates an action that must be taken to avoid a hazardous situation.
---	---




**Table 3: Prohibited action**

	A ring with a diagonal bar indicates an action that is not allowed.
---	---

## 1.6 Main safety risks related to the installation, maintenance, disassembly, and use of the product

### 1.6.1 Installation, maintenance, and disassembly








	<b>WARNING!</b> To reduce the risk of burns, fire, electric shock, or injury to persons, obey the following:
	Use cut resistant safety gloves during the installation, maintenance, or disassembly of the product.
	Use steel toed safety boots during the installation, maintenance, or disassembly of the product.
	Read and understand the instructions and plan your work beforehand.
	Obey all local rules and regulations regarding workplace safety.

	Keep the work site tidy and free from debris throughout the installation, maintenance, or disassembly process.
	Do not climb on top of the product or place any load on the roof of the product.
	<p>Do not move the finished product by pushing if the optional casters are not engaged.</p> <p>The product is very heavy. Moving the product after installation without engaging the optional casters is not allowed.</p>

### 1.6.2 Electrical safety

Input for the electrical system: 100-240 VAC (10 A) 50-60 Hz

The maximum load for the electrical system is 6.6 A.

	<p><b>DANGER!</b></p> <p><b>To reduce the risk electric shock, obey the following:</b></p>
	<p>Disconnect the power cord from the power outlet before starting any cleaning, maintenance, or disassembly procedures.</p> <p>The power cord serves as a power disconnect device for pluggable equipment. The power outlet shall be located near the equipment and shall be easily accessible.</p>
	<p><b>WARNING!</b></p> <p><b>To reduce the risk of burns, fire, electric shock, or injury to persons, obey the following:</b></p>
	Connect the power cord to a properly grounded outlet only.
	This product is for use on a nominal 120-volt circuit and has a grounding plug that looks like the plug illustrated in the figure below. Make sure that the product is connected to an outlet having the same configuration as the plug. No adapter should be used with this product.
	Keep the power cord of the product away from heated surfaces.
	Do not use the pod if you notice any defects or damage to the electrical equipment.



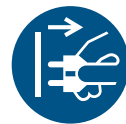
Do not connect any extension cords to the power outlet(s) of the product.

### 1.6.3 Fire safety



**WARNING!**

**To reduce the risk of burns, fire, electric shock, or injury to persons, obey the following:**



If safely possible to perform, disconnect the power cord from the power outlet if there is a fire inside the product.

The power cord serves as a power disconnect device for pluggable equipment. The power outlet shall be located near the equipment and shall be easily accessible.

Fire safety end devices (alarms, sprinklers etc.) can also be installed inside the pods (instructions available upon request). The need for end devices inside the pod is always determined by the applicable local authorities.

### 1.6.4 Lifting safety



**WARNING!**

**To reduce the risk of injury to persons and damage to property, obey the following:**



Obey all local rules and regulations regarding lifting ergonomics and lifting safety.



Carefully plan all lifts before hand.



Keep the work site tidy and free from debris.

### 1.6.5 Moving the product on casters (optional)





**WARNING!**

**The product is very heavy. Moving the product on the casters requires planning and care. Make sure the product cannot tip over while moving.**



Only move the product on even surfaces: no cracks or thresholds over 3 mm (1/8 in) on the intended route.



	<p>When moving the product, only push below the vertical middle. Do not tow the product.</p>
	<p>Do not enter the product if it is standing on the casters. It is only allowed to use the casters for moving the product. Return the full weight of the product onto the leveling feet immediately after relocation and level the floor.</p>

## 2 Tools and accessories

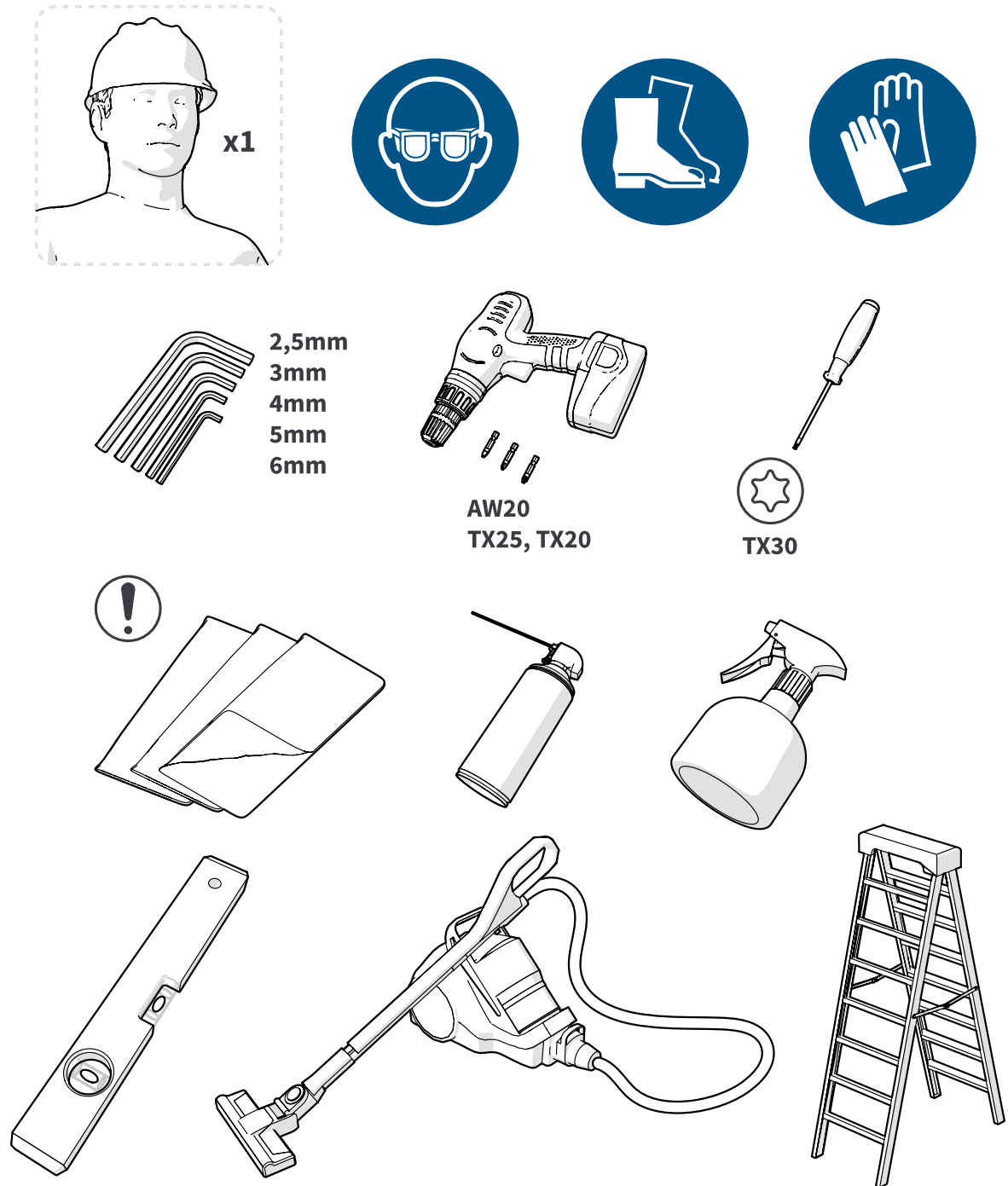
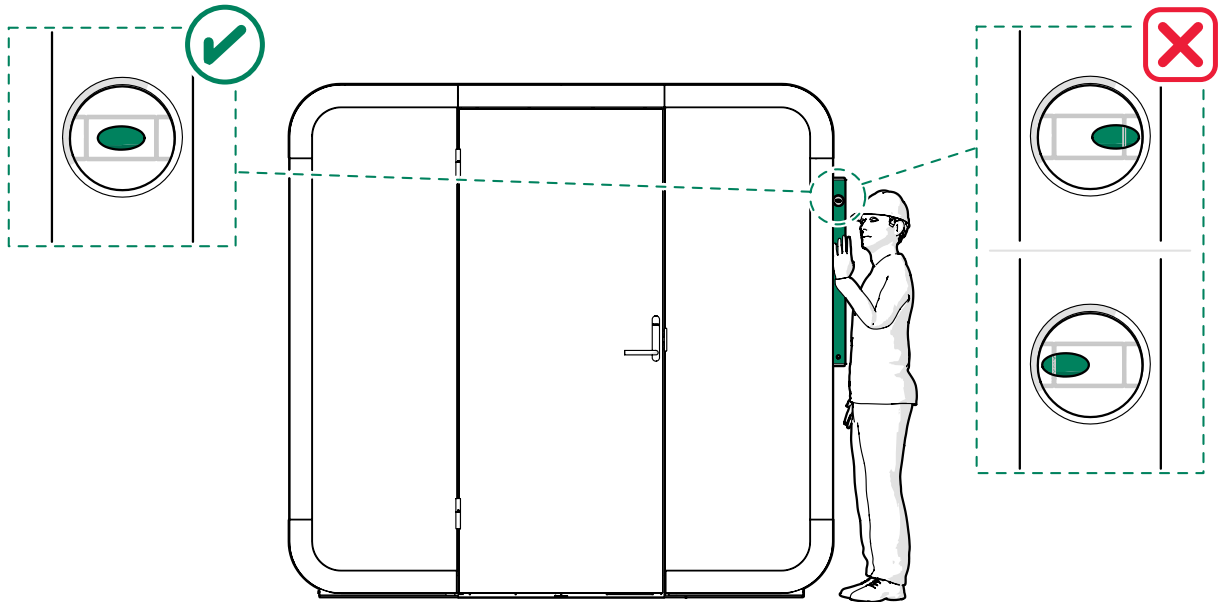


Figure 1: Tools and accessories needed for maintenance

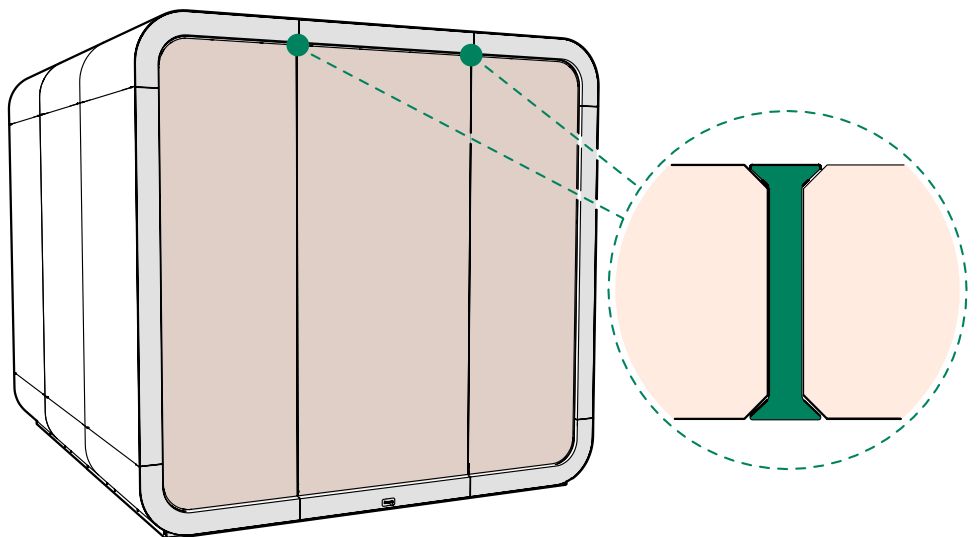
⚠ **Note:** Use a lint-free cloth to clean the pod.

### 3 Check the overall condition of the pod

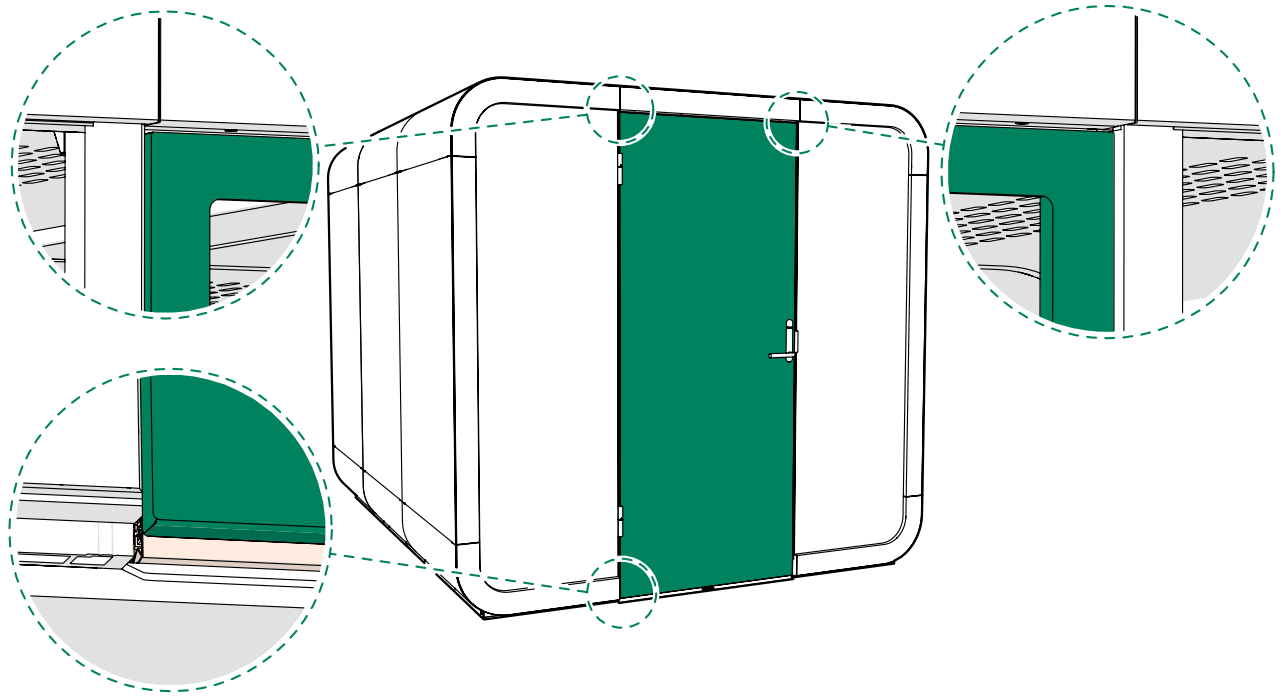
1. Check the pod for wear and tear.
2. Check the pod for visual defects.
3. Check the straightness of the pod.



4. Check that there is no gap between the back glasses and that the back glasses are aligned.



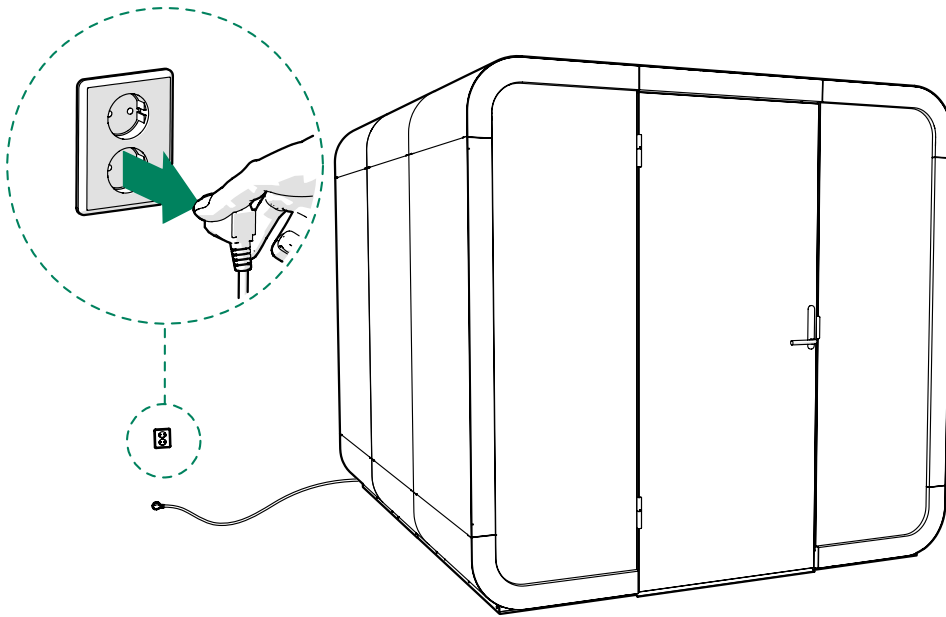
5. Check sound insulation.



6. Check the functionality of electrical components.

## 4 Disconnect the power cord

To provide a safe working environment, disconnect the power cord.

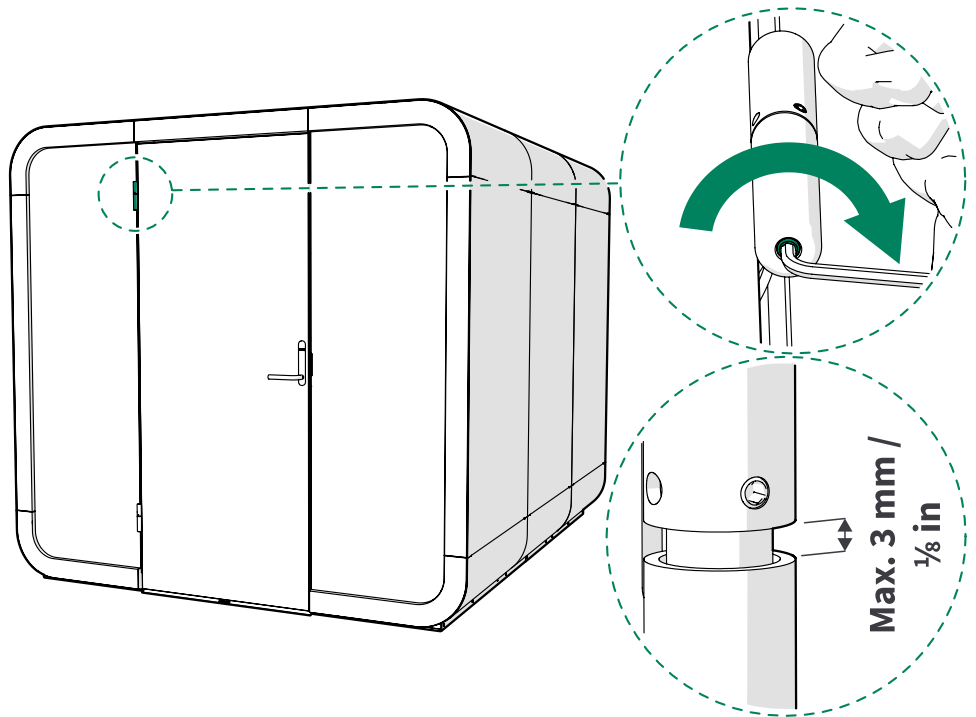


## 5 Service the door

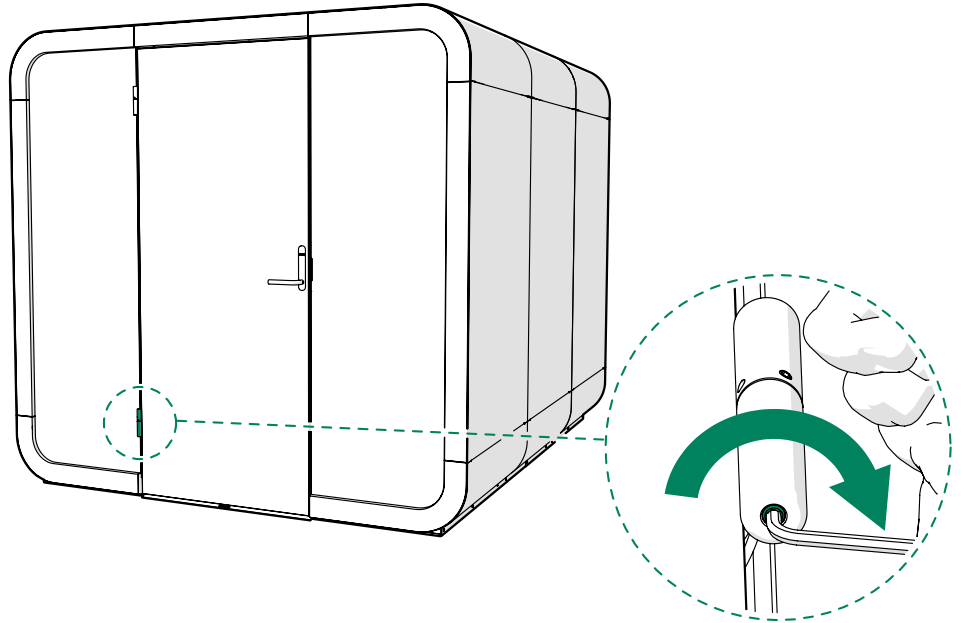
### 5.1 Adjust the door height

Before the adjustments, test the operation of the door. If the door catches on the floor threshold, you can lift the door a maximum of 3 mm (1/8 in). In all cases, it is recommended to adjust the height of the door to a position where the hinge halves do not rub against each other.

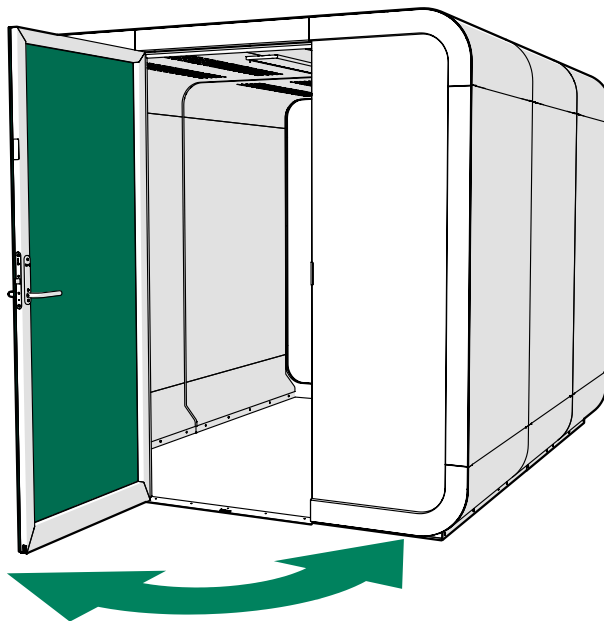
1. Turn the bottom screw of the upper hinge clockwise with a hex key.  
Lift the door a maximum of 3 mm (1/8 in).



2. Adjust the lower hinge to the same level as the upper hinge.  
The lower hinge is at the same level with the upper hinge when you feel resistance.

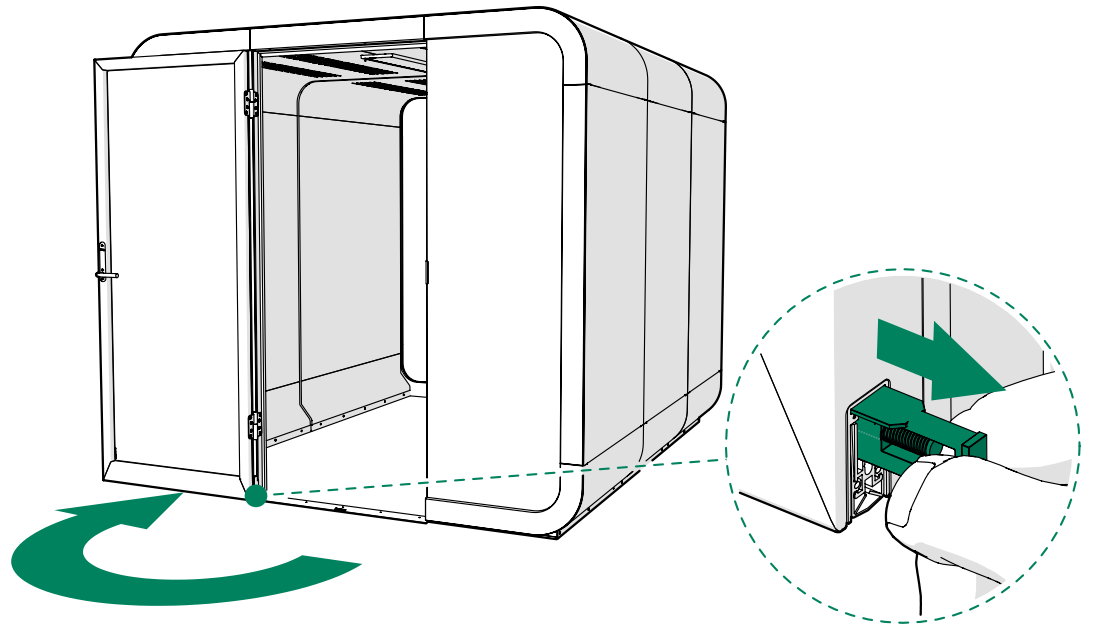


3. Make sure that the door closes correctly and smoothly.



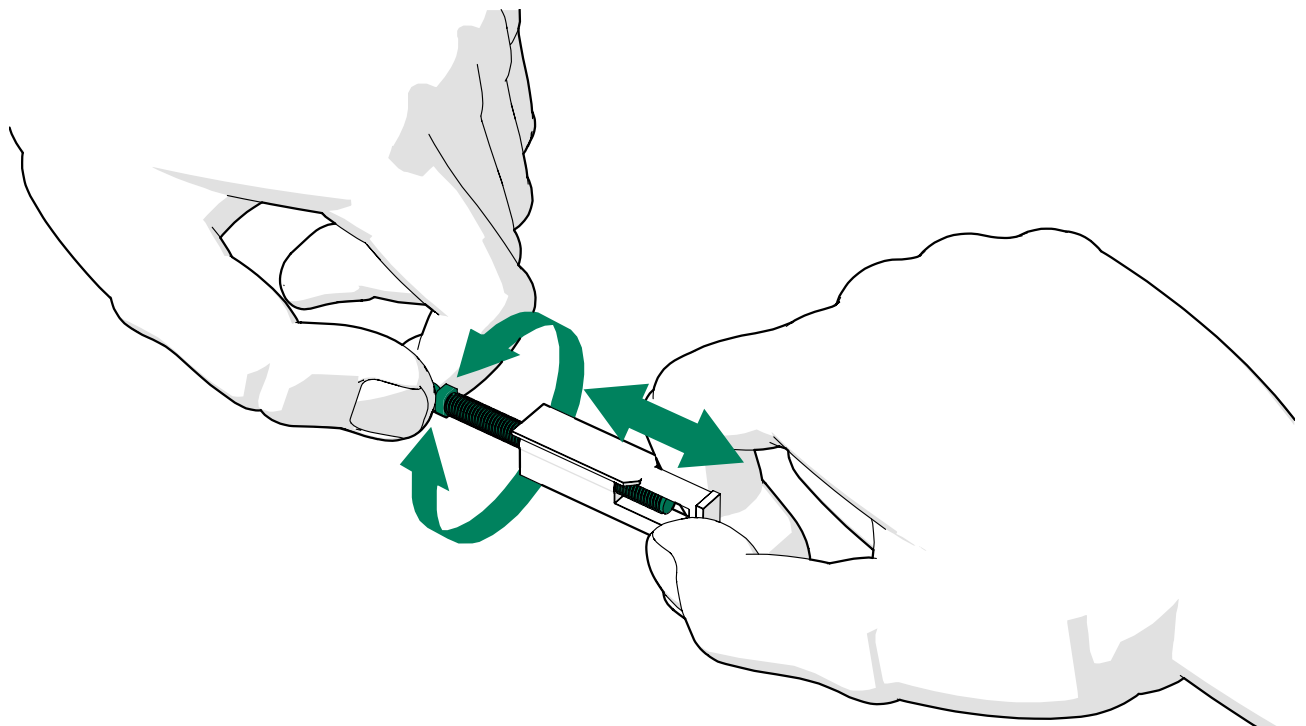
## 5.2 Adjust the automatic door seal

1. Pull out the adjustment stick from the lower inside frame of the door.



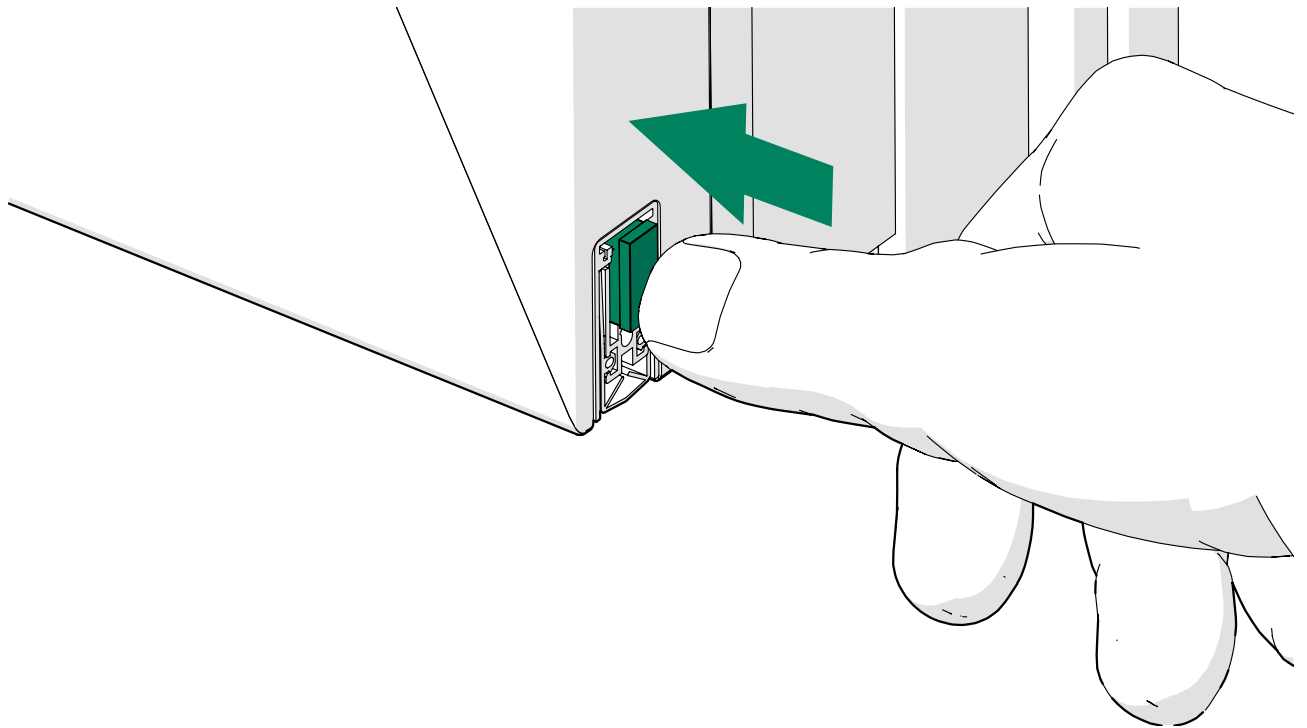
2. Adjust the screw on the stick.

The further the stick comes out of the door frame, the lower the door seal descends. The seal descends automatically when you close the door.





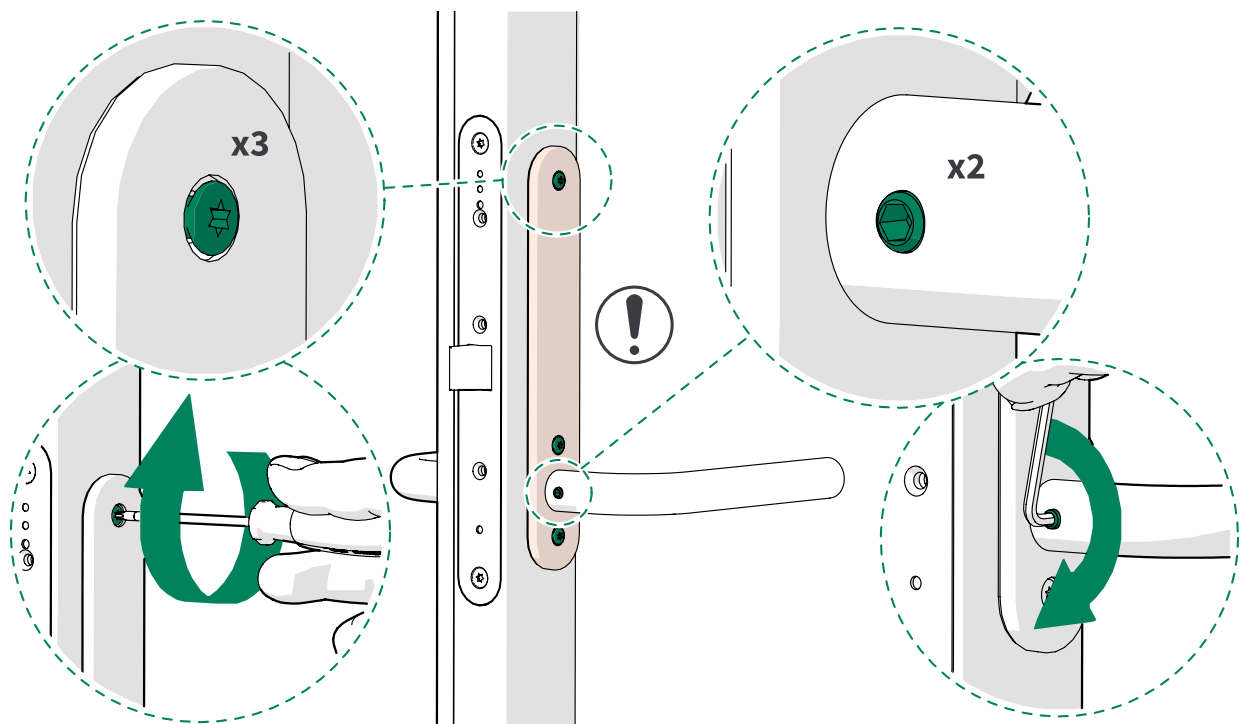
3. Push the stick back into place with a snap.



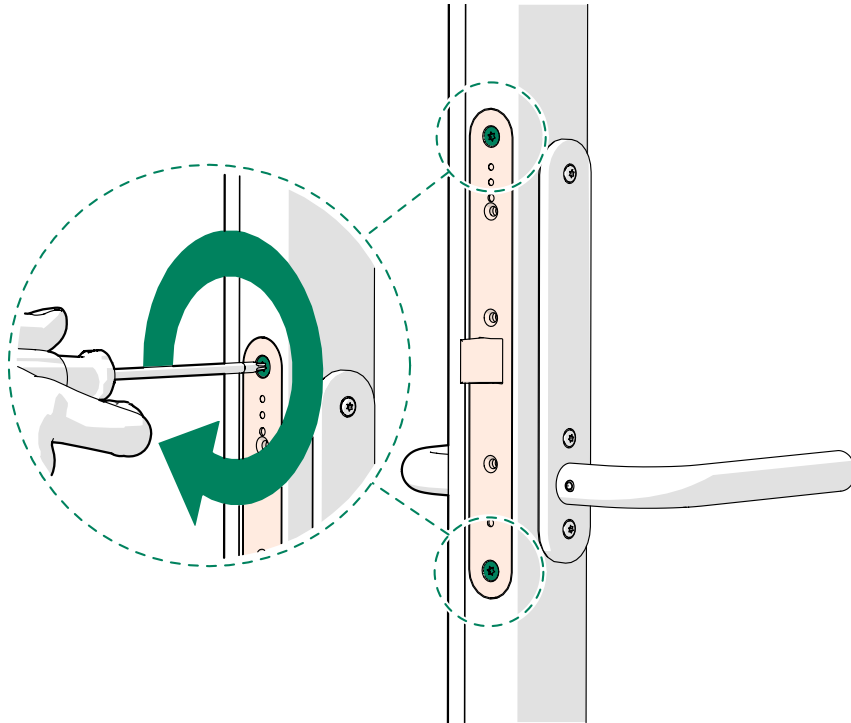
4. Check with a flashlight that there is no gap under the door.  
If the light shines through from under the door, readjust the door seal.

### 5.3 Tighten the handle and lock screws

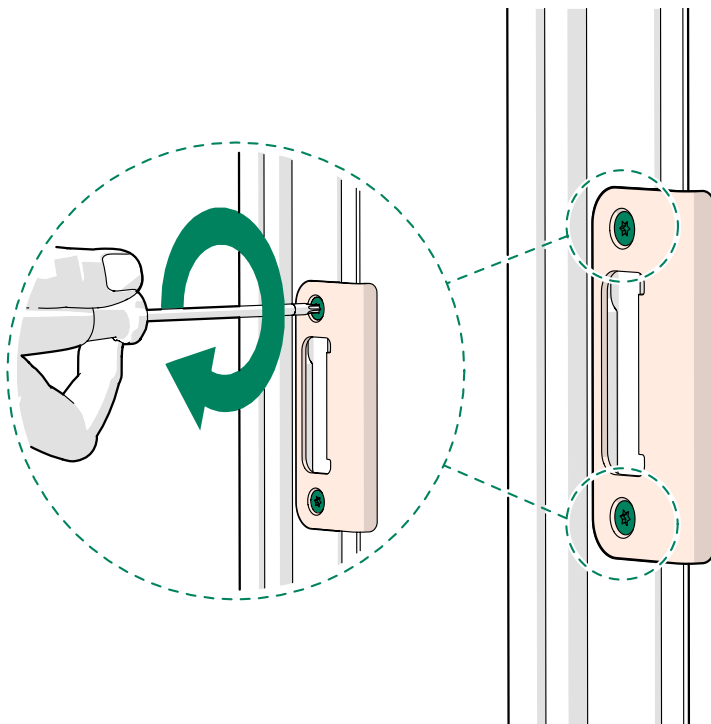
1. Tighten the screws on the inside handle and cover plate. Tighten the set screws on both handles.



2. Tighten the screws on the lock case.

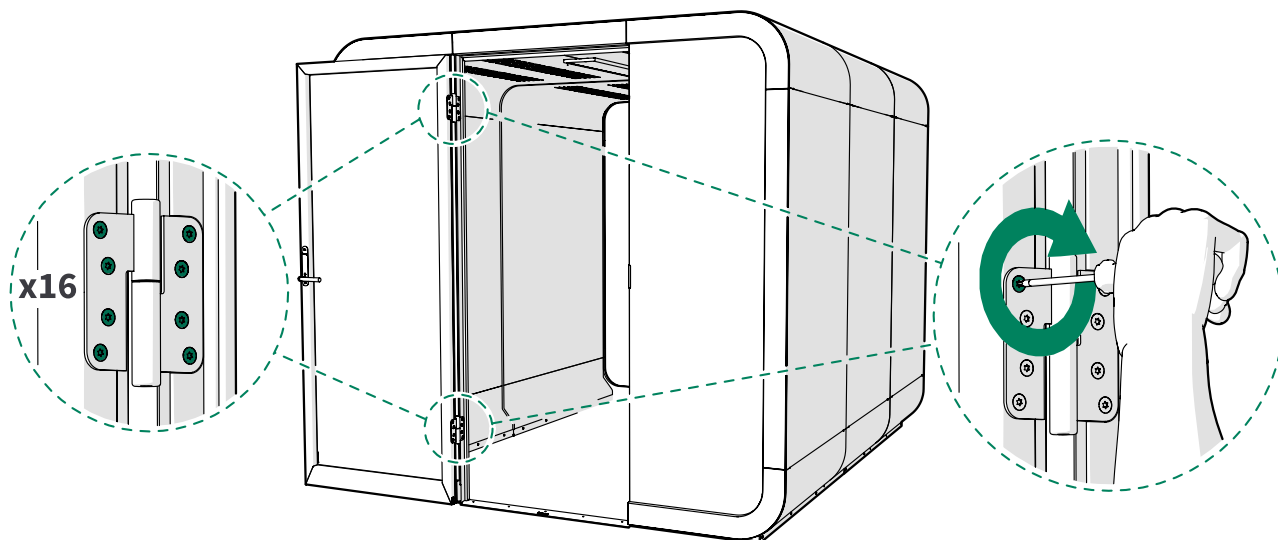


3. Tighten the screws on the strike plate.



## 5.4 Tighten the hinge screws

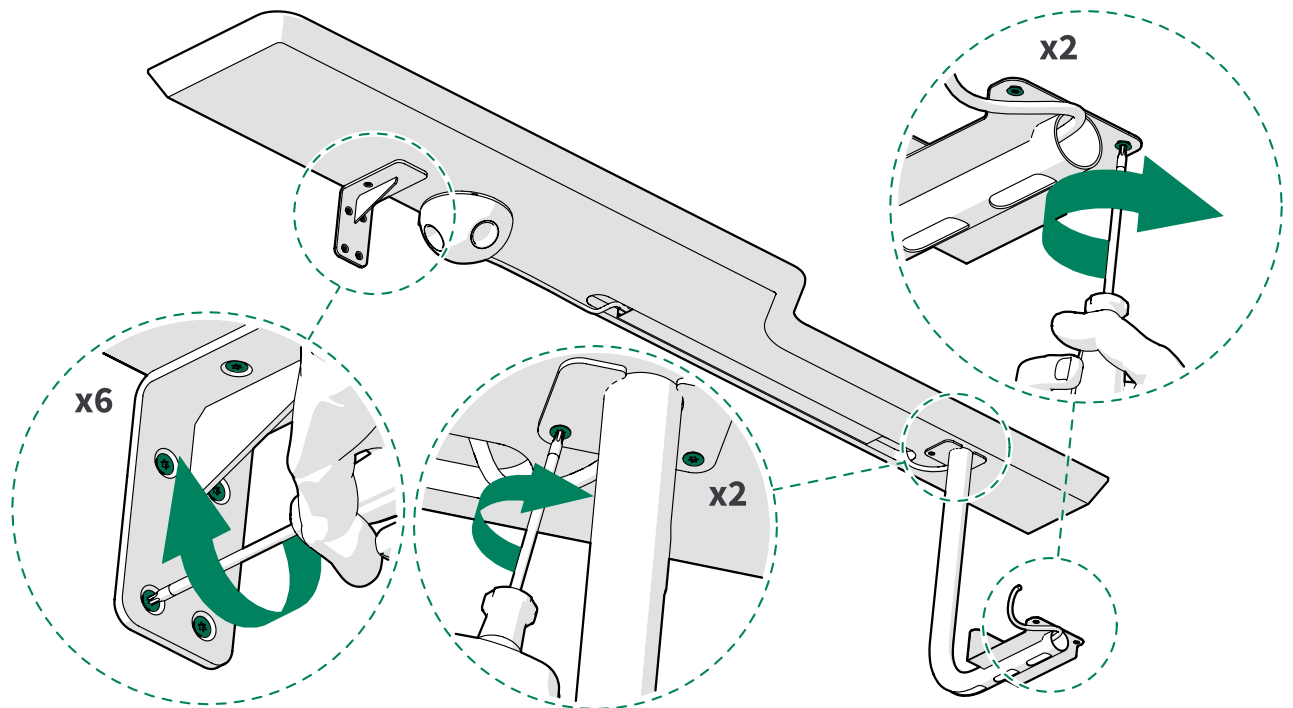
Tighten the Taptite M6x30 (16 pcs) hinge screws.



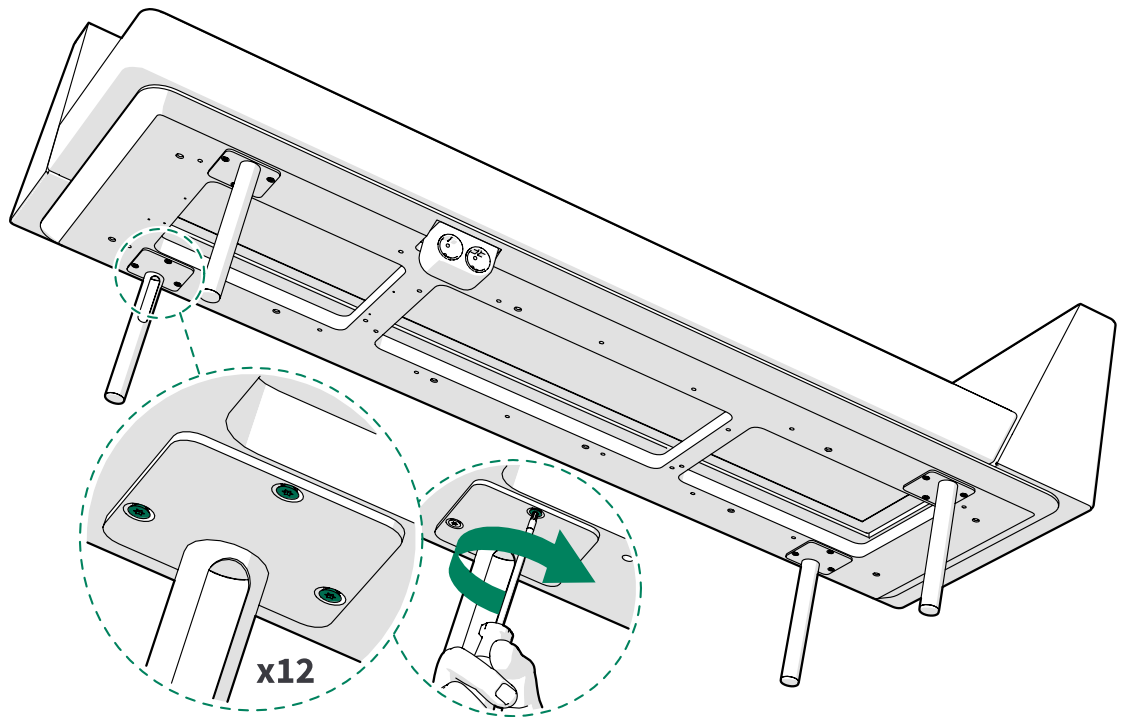
## 6 Tighten all the screws

### 6.1 Tighten all the screws (2Q Lounge)

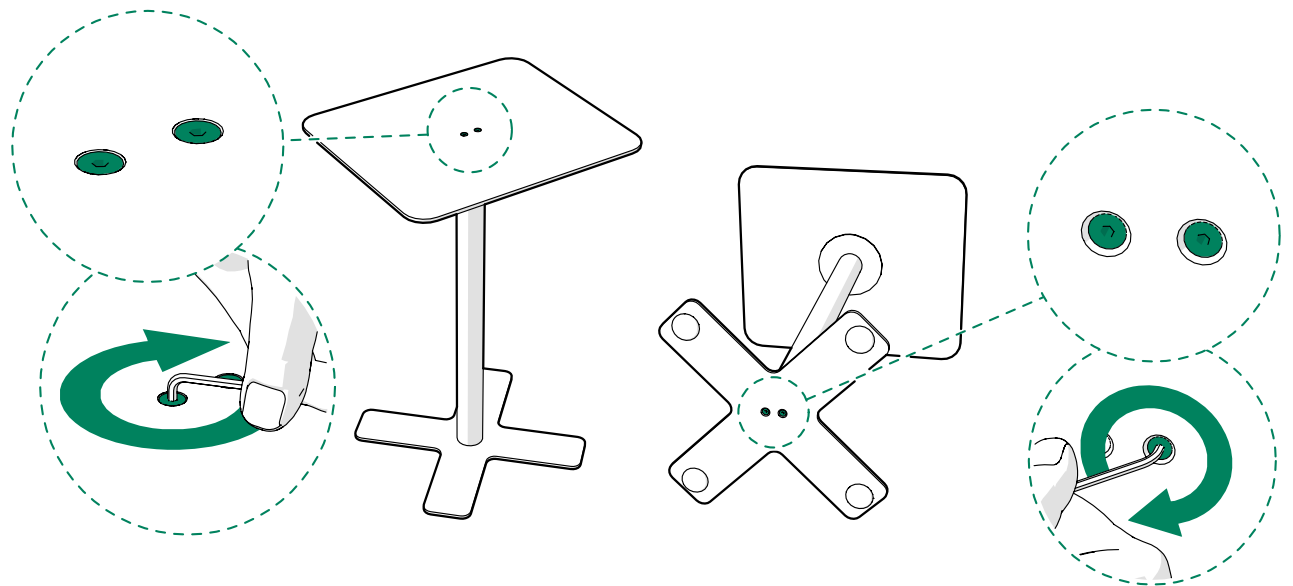
1. Tighten the screws of the table:
  - The screws on the table installation bracket.
  - The screws connecting the table support leg to the table.
  - The screws on the table support leg.



2. Tighten the screws on the sofa legs.

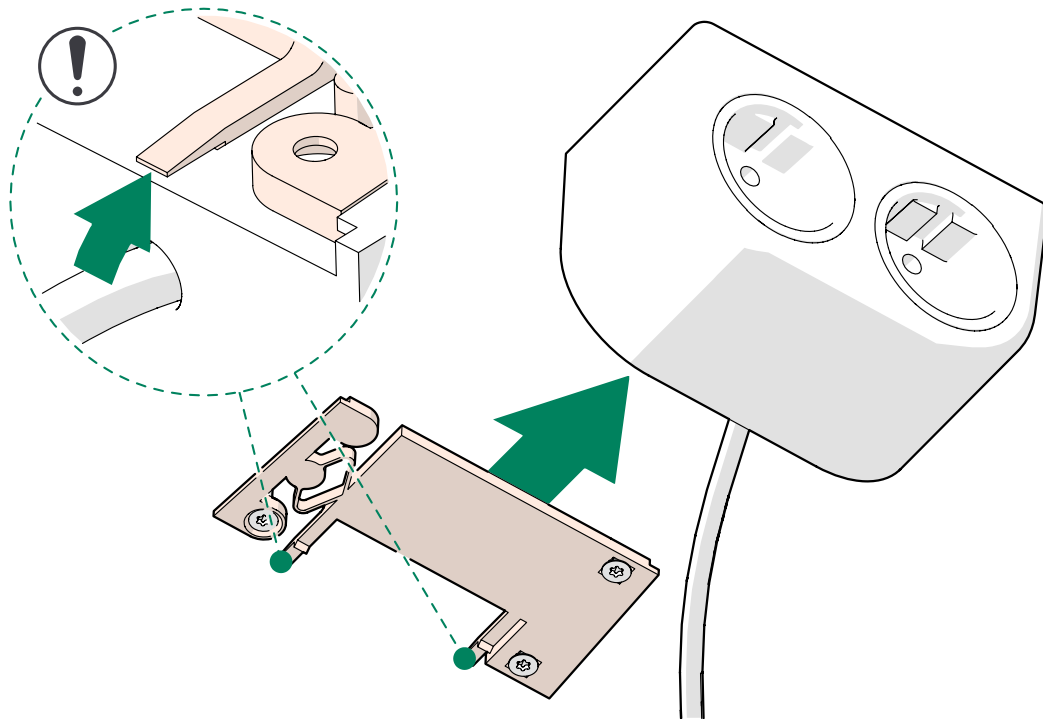


3. Tighten the piaggio table top and table leg screws.

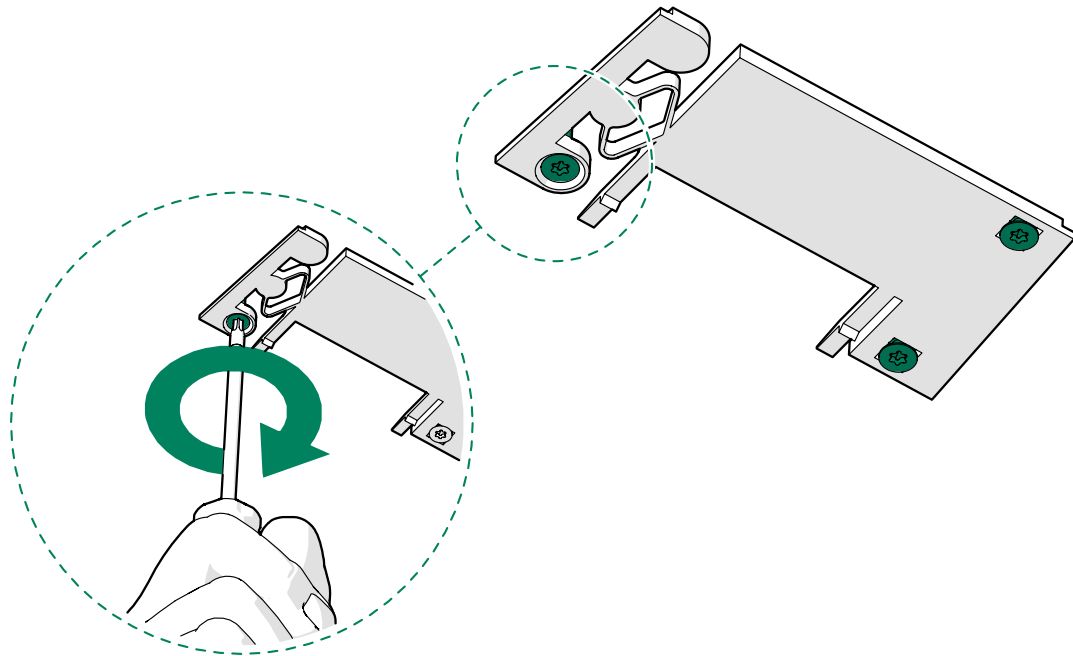


- Remove the power outlet from the claws of the mounting plate.

⚠ **Note:** Lift the outlet to release it from the mounting plate

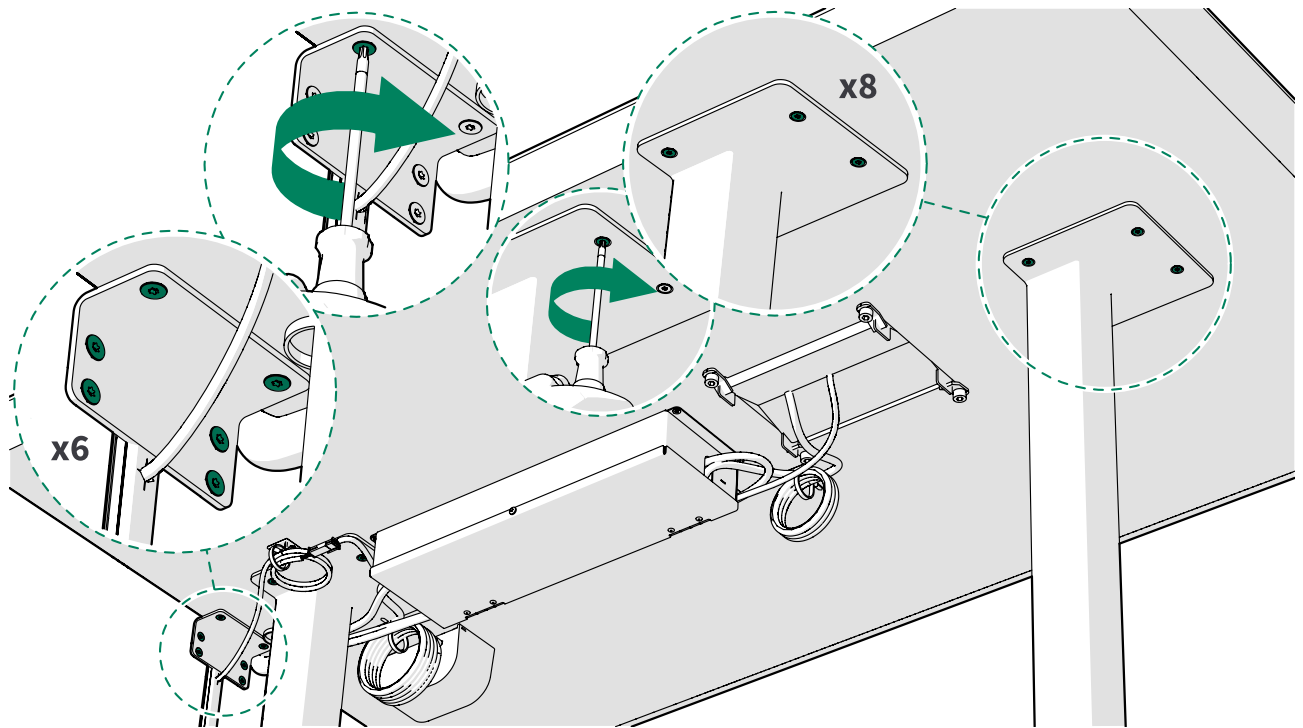


- Tighten the screws on the power outlet mounting plate.

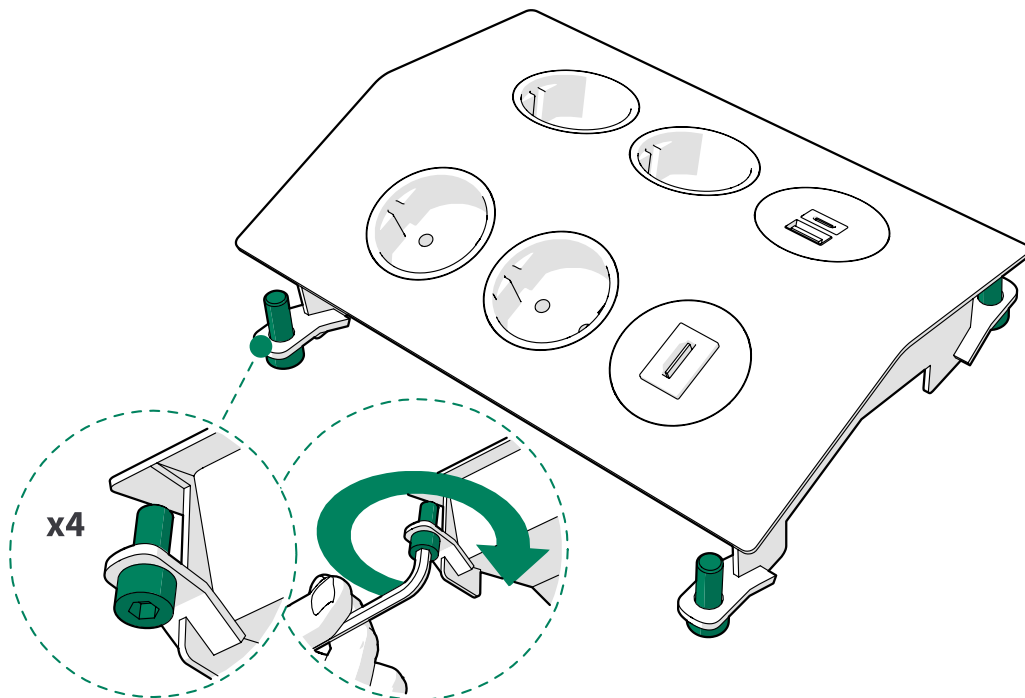


## 6.2 Tighten all the screws (2Q Huddle)

1. Tighten the table leg and wall bracket screws.

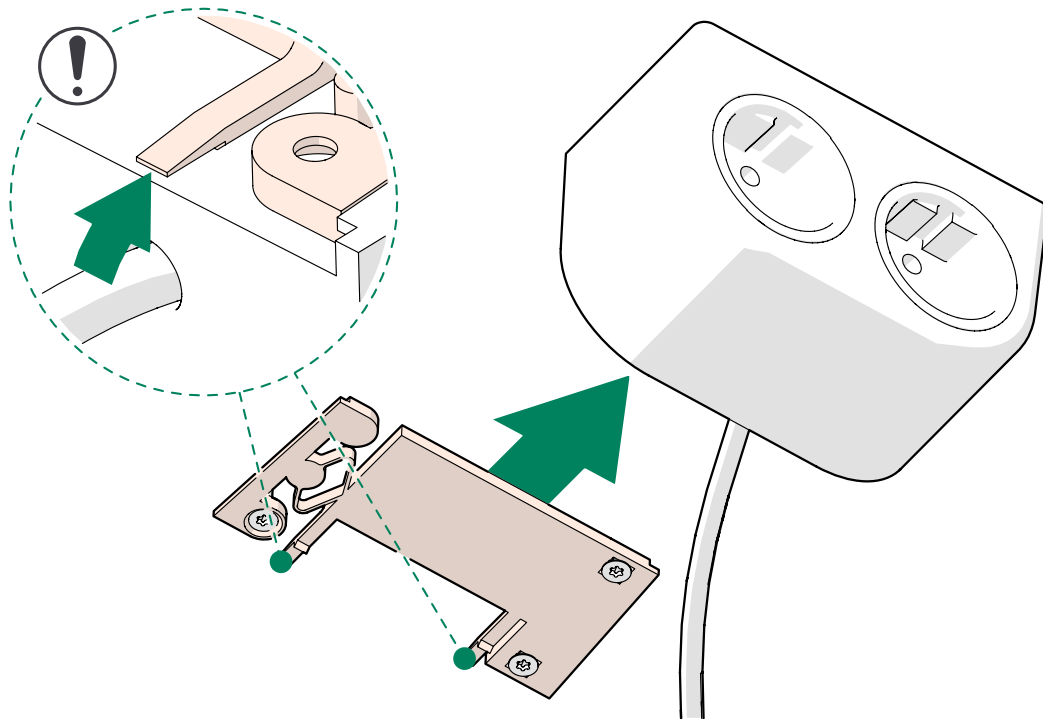


2. Tighten the screws of the fixing mounts for the power outlet.

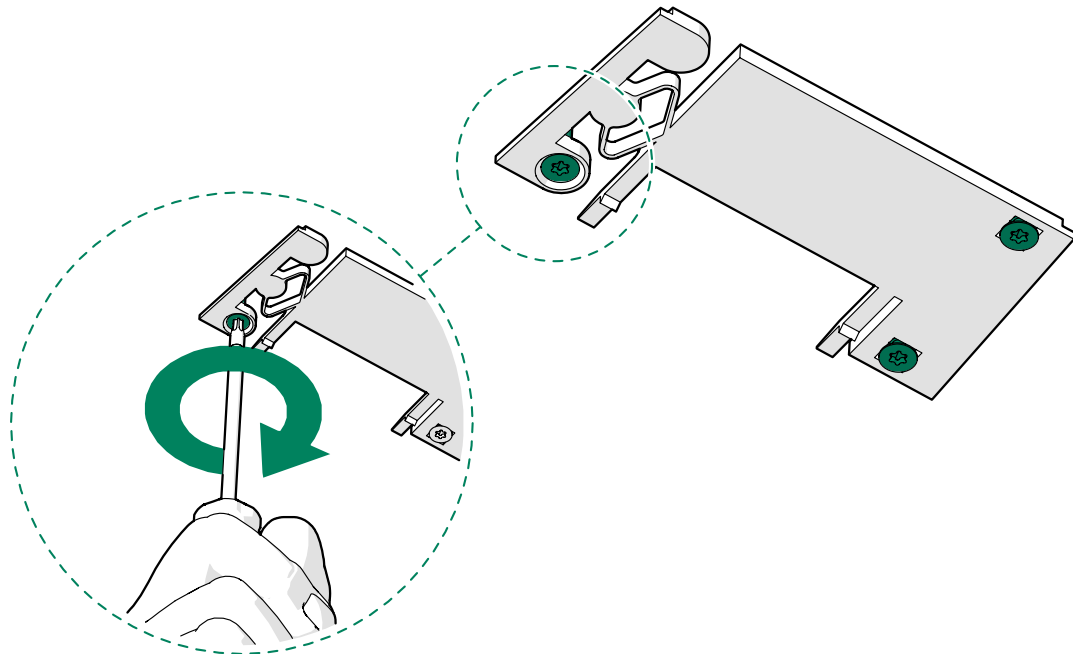


3. Remove the power outlet from the claws of the mounting plate.

⚠ **Note:** Lift the outlet to release it from the mounting plate



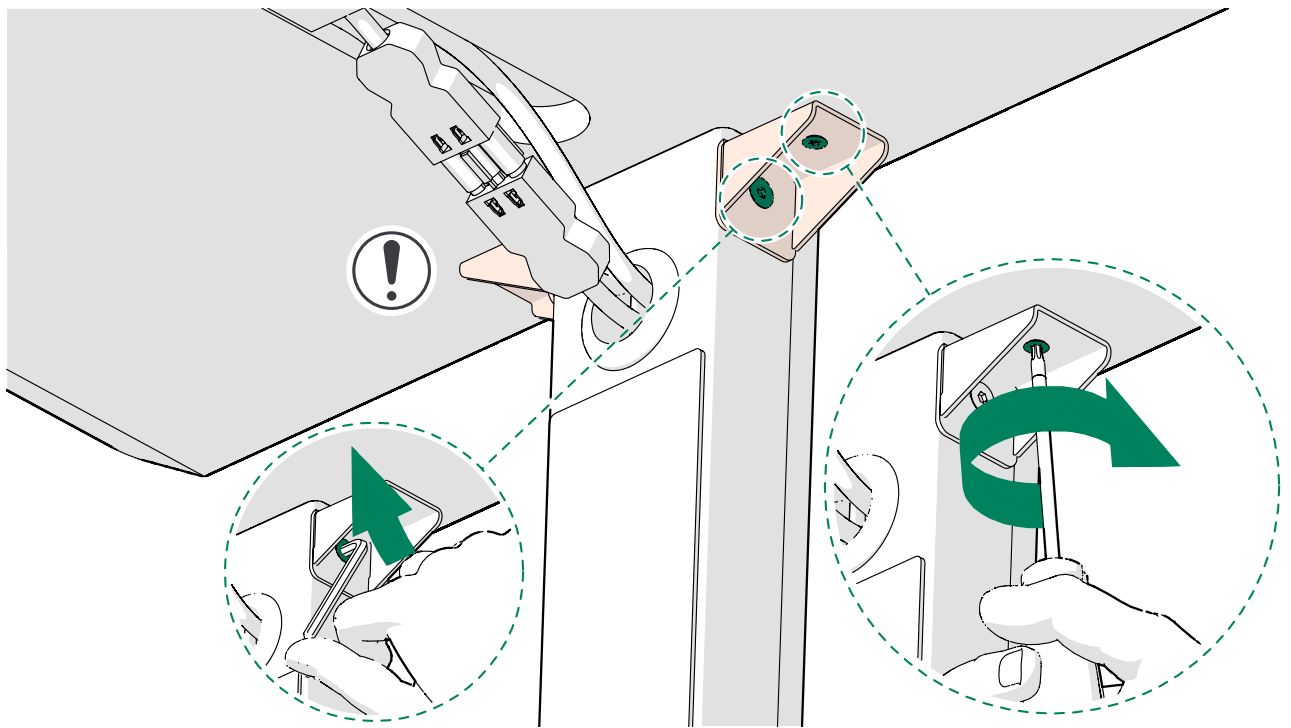
4. Tighten the screws on the power outlet mounting plate.



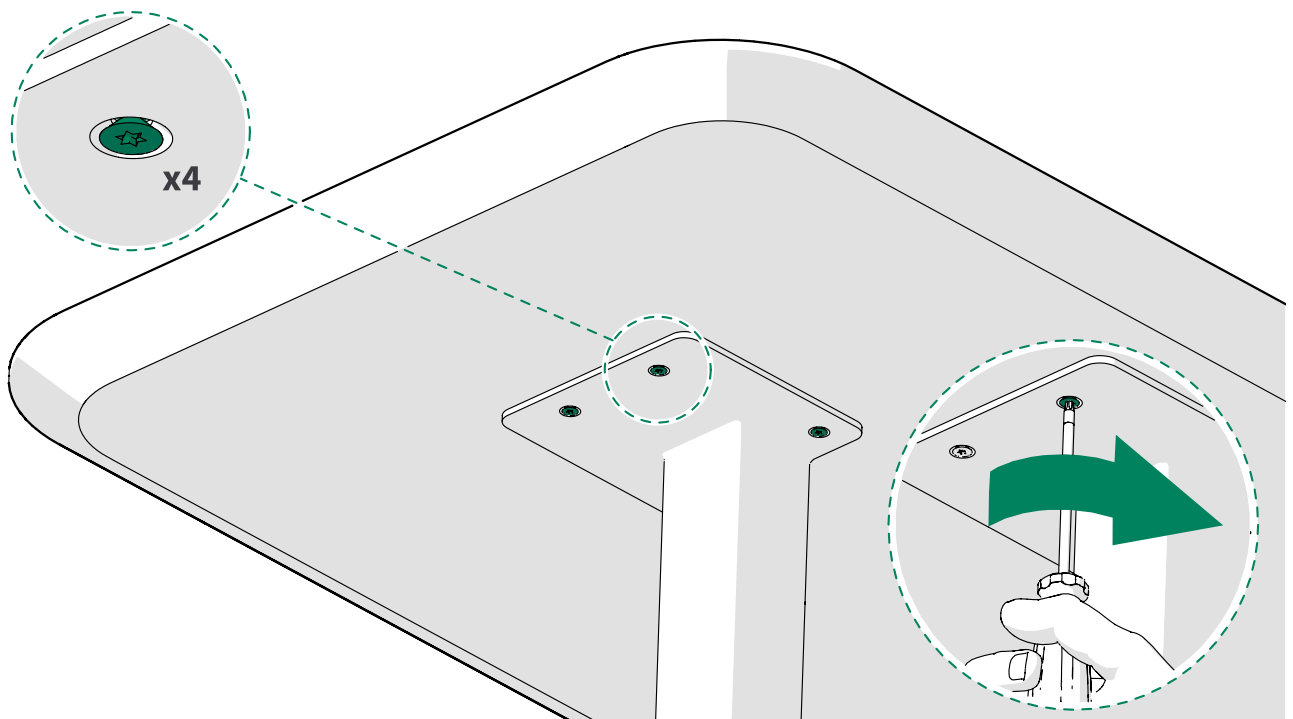
### 6.3 Tighten all the screws (2Q Standard)



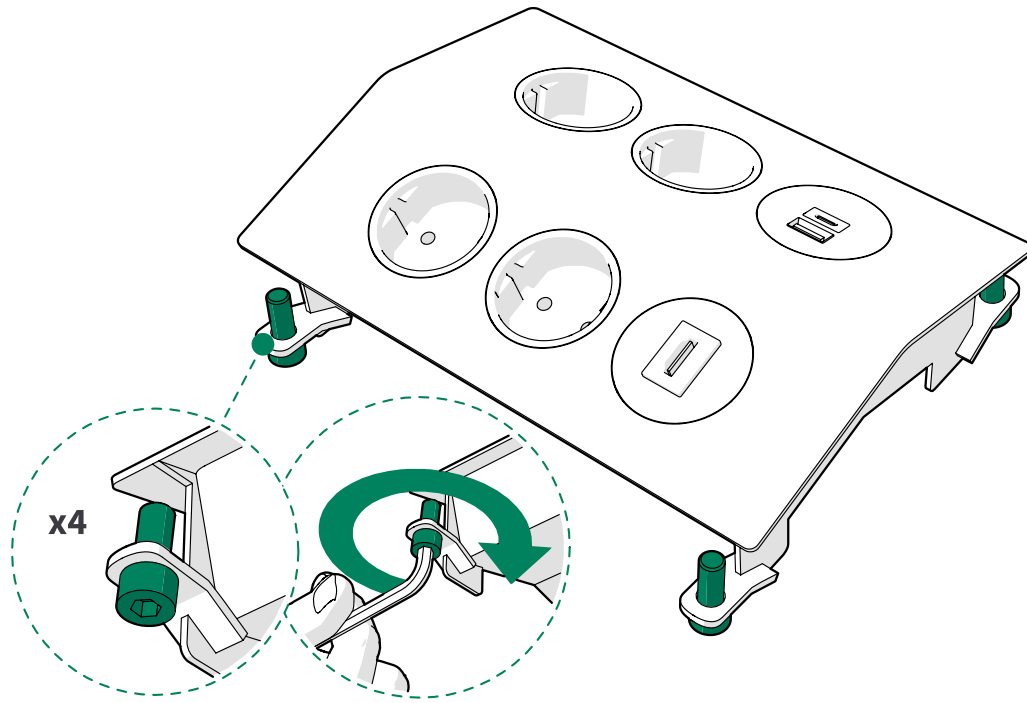
1. Tighten the power column screws.



2. Tighten the table leg screws.



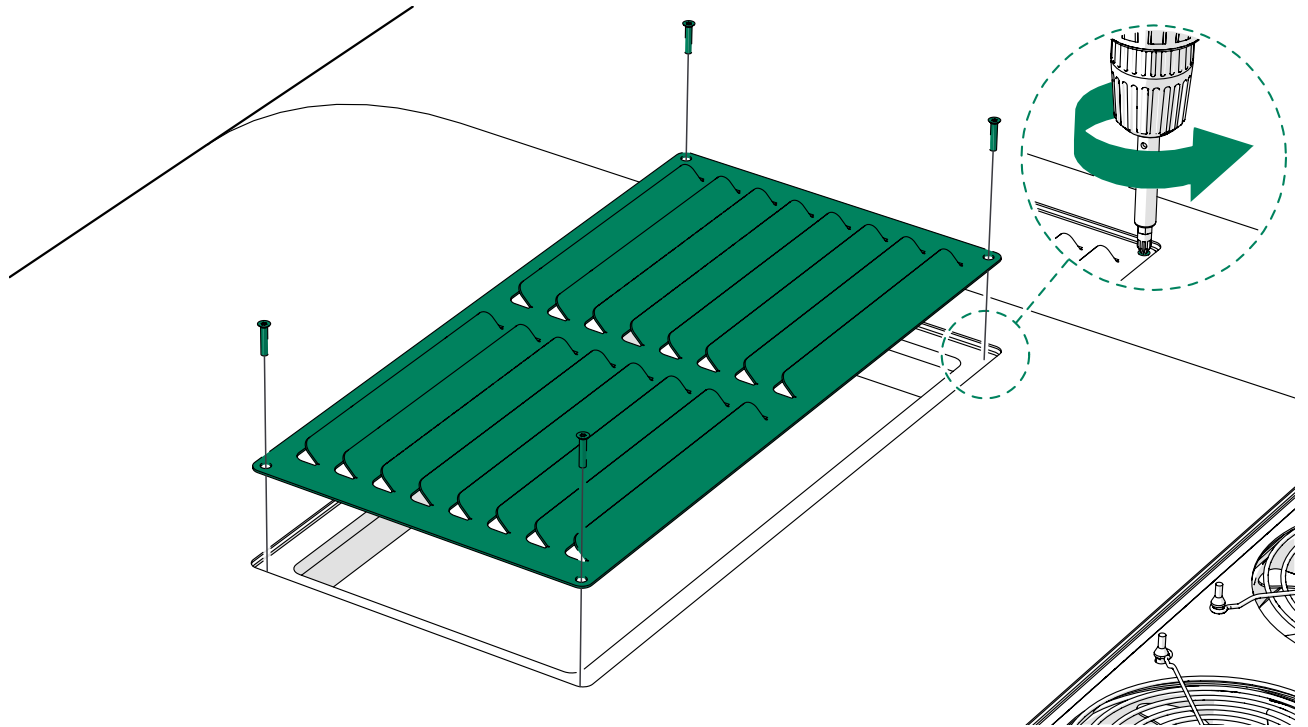
3. Tighten the screws of the fixing mounts for the power outlet.



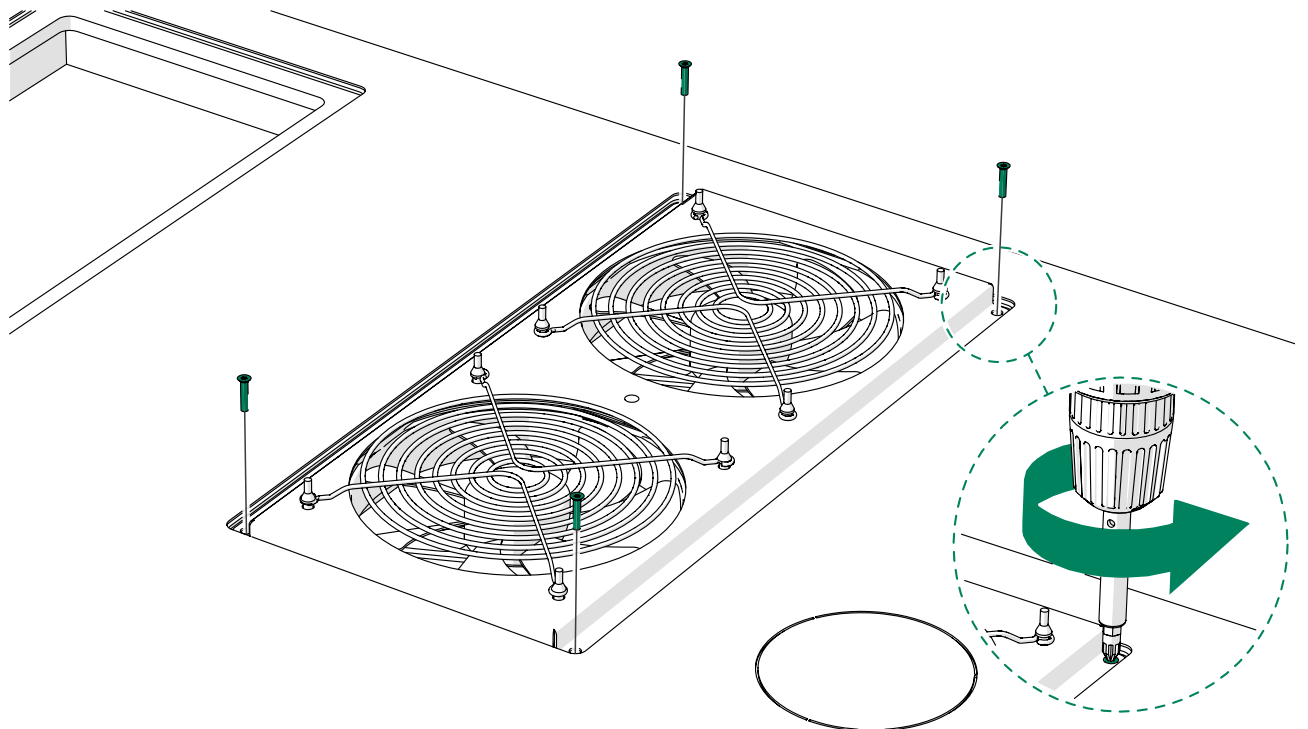
## 7 Clean the fans

⚠ **Note:** Make sure to clean all the fans.

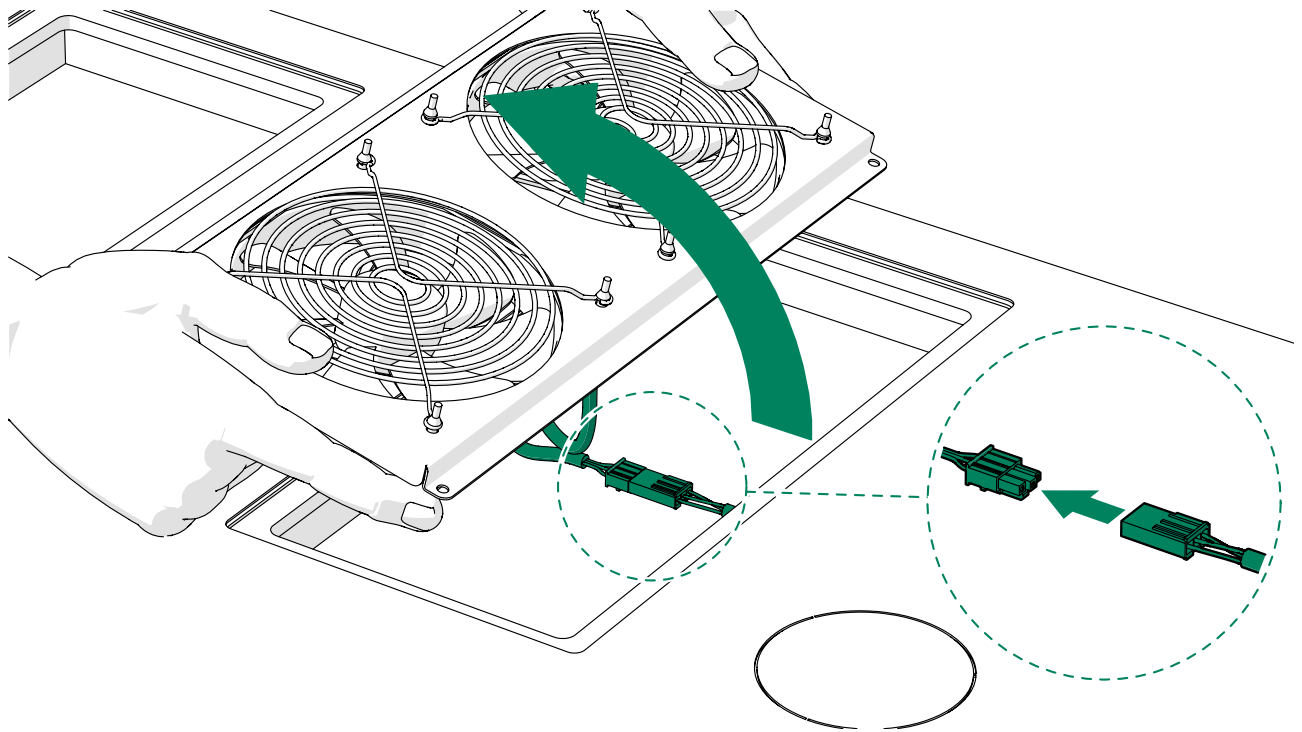
1. Unscrew the screws holding the grid in its place.



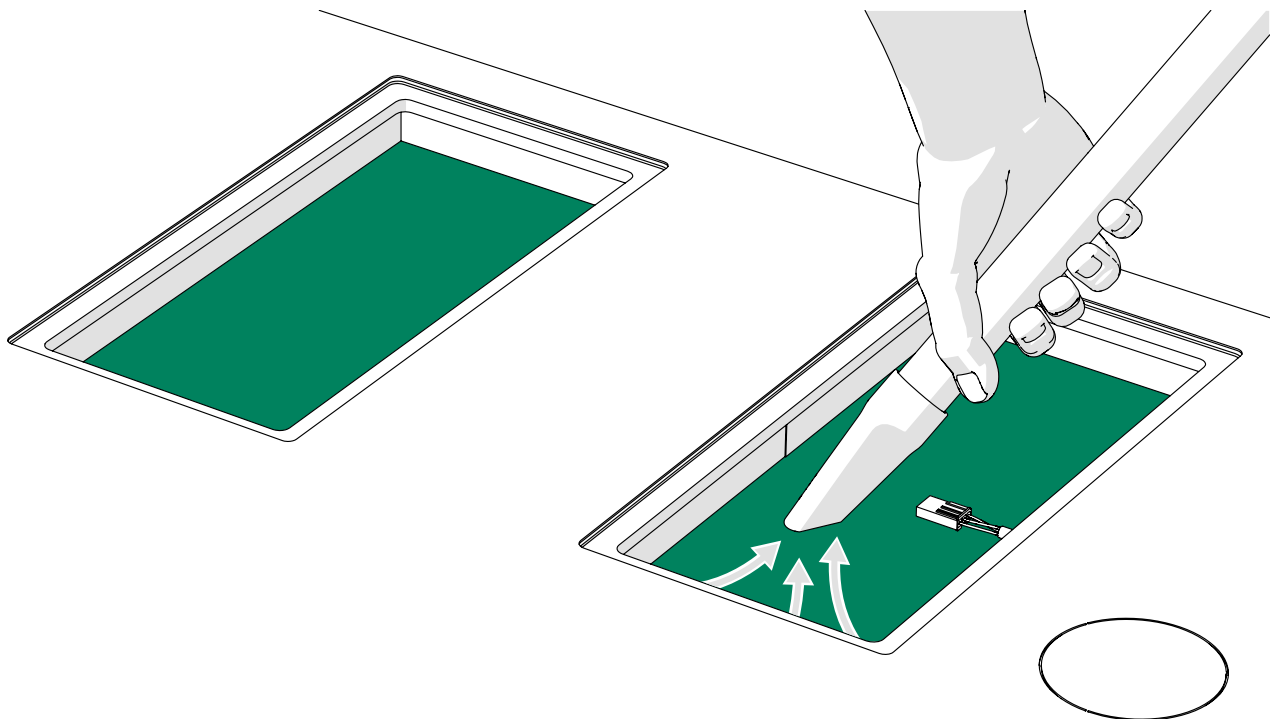
2. Unscrew the screws holding the fan module in its place.



3. Lift the fan module out from the roof module and disconnect DC connectors.

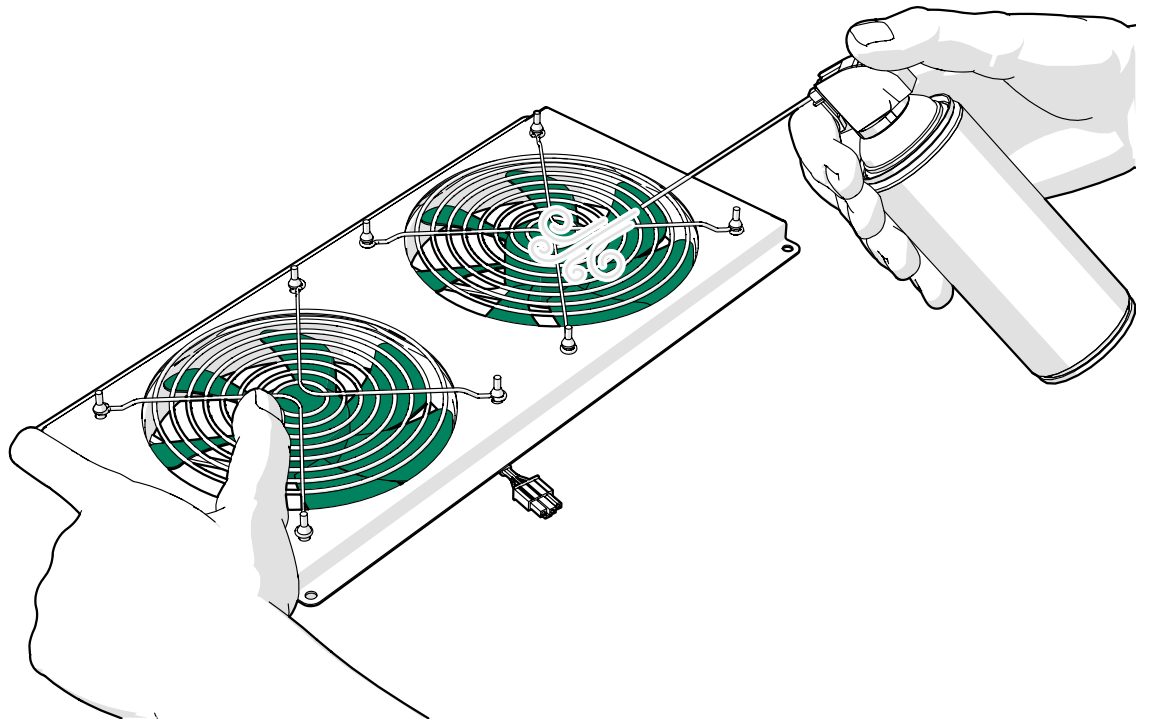


4. Clean the parts under the fan module with a vacuum cleaner and a cloth.

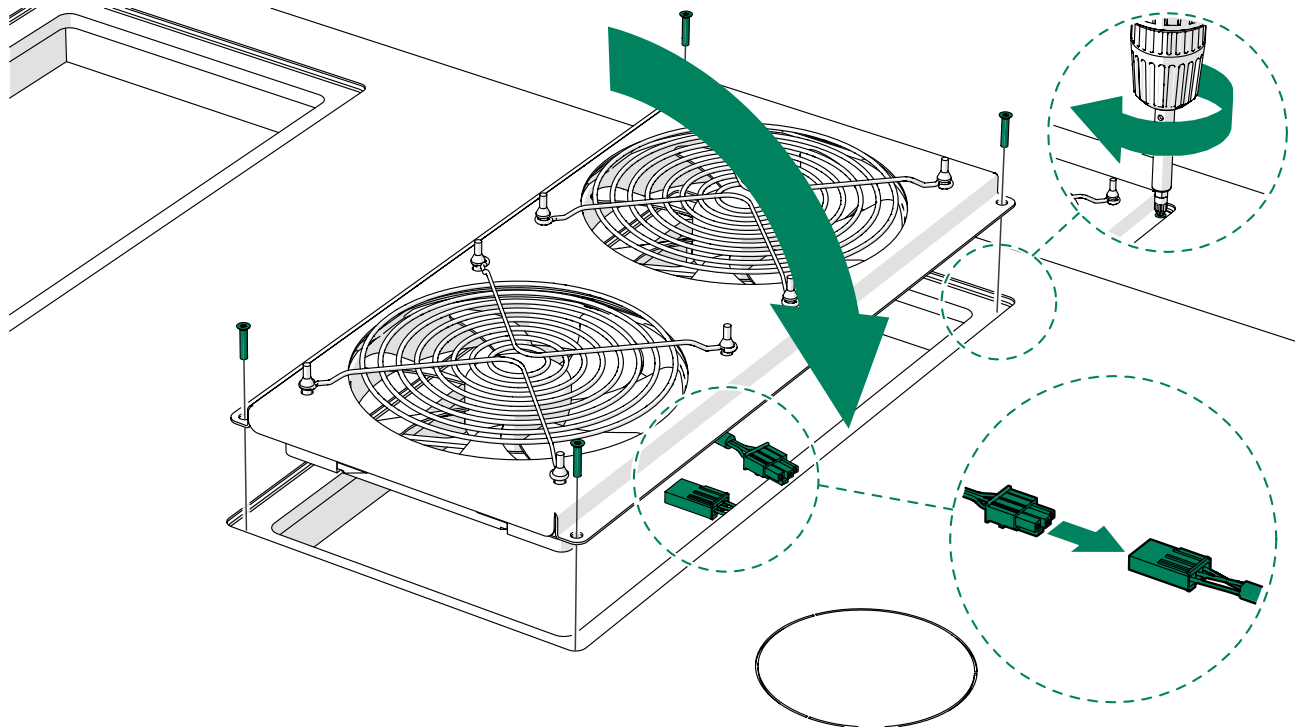


5. Clean the fans with an air duster.

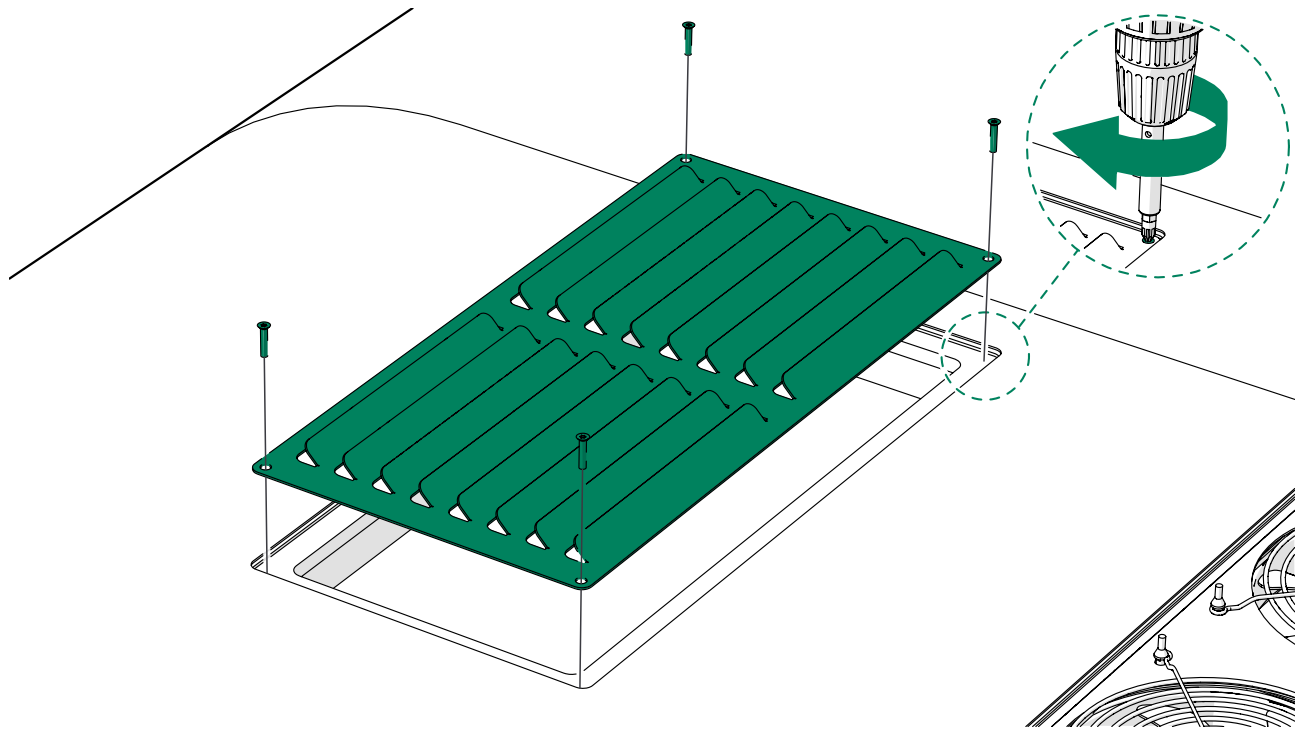
⚠ **Note:** Do not apply excessive pressure or suction to the fan blades.



6. Connect the DC connectors and install the fan module.

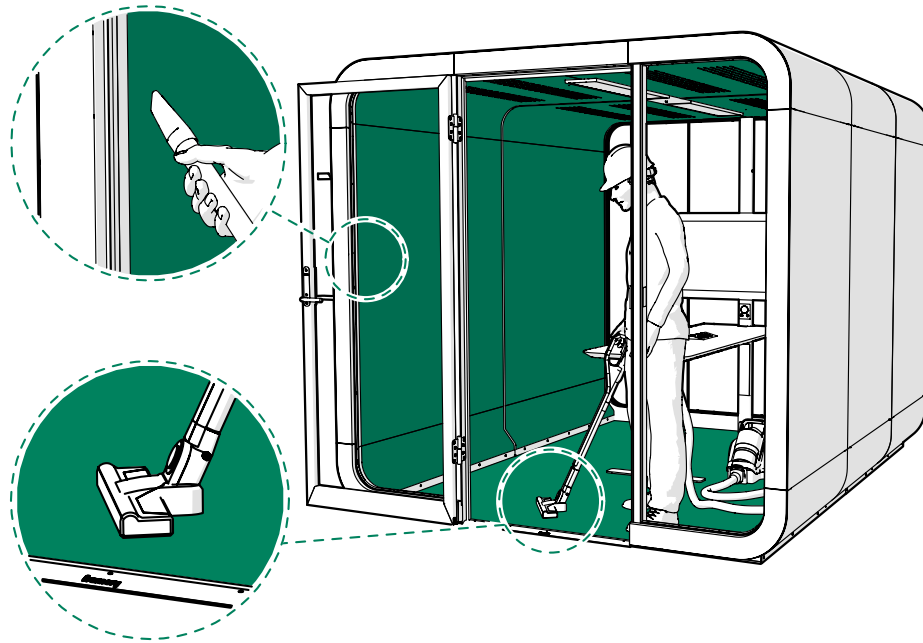


7. Reinstall the grid.

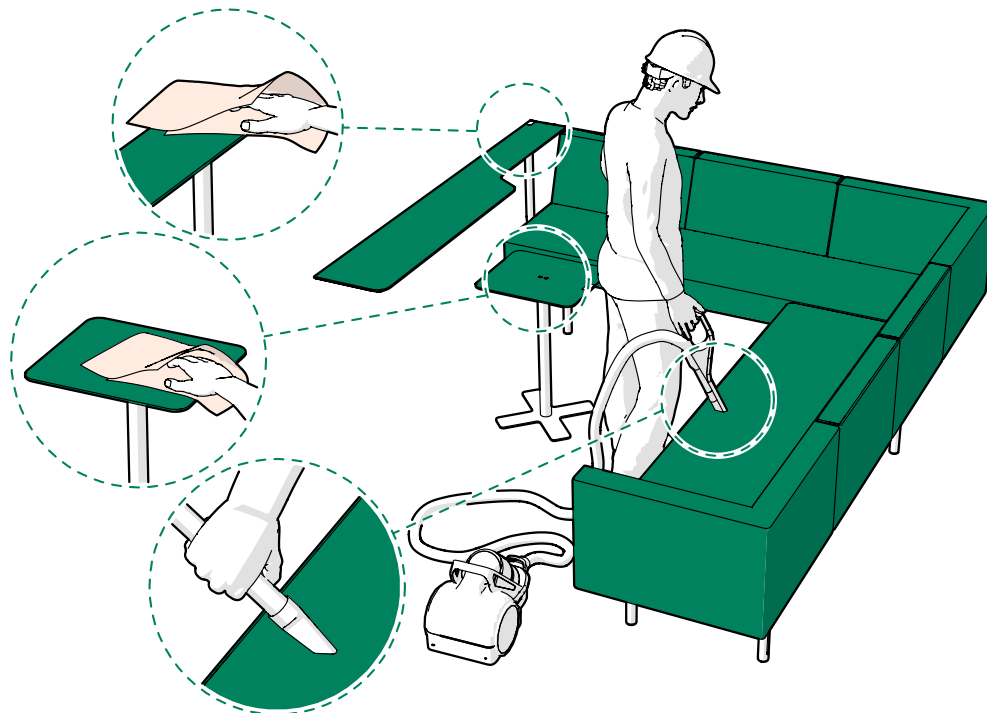


## 8 Clean the pod

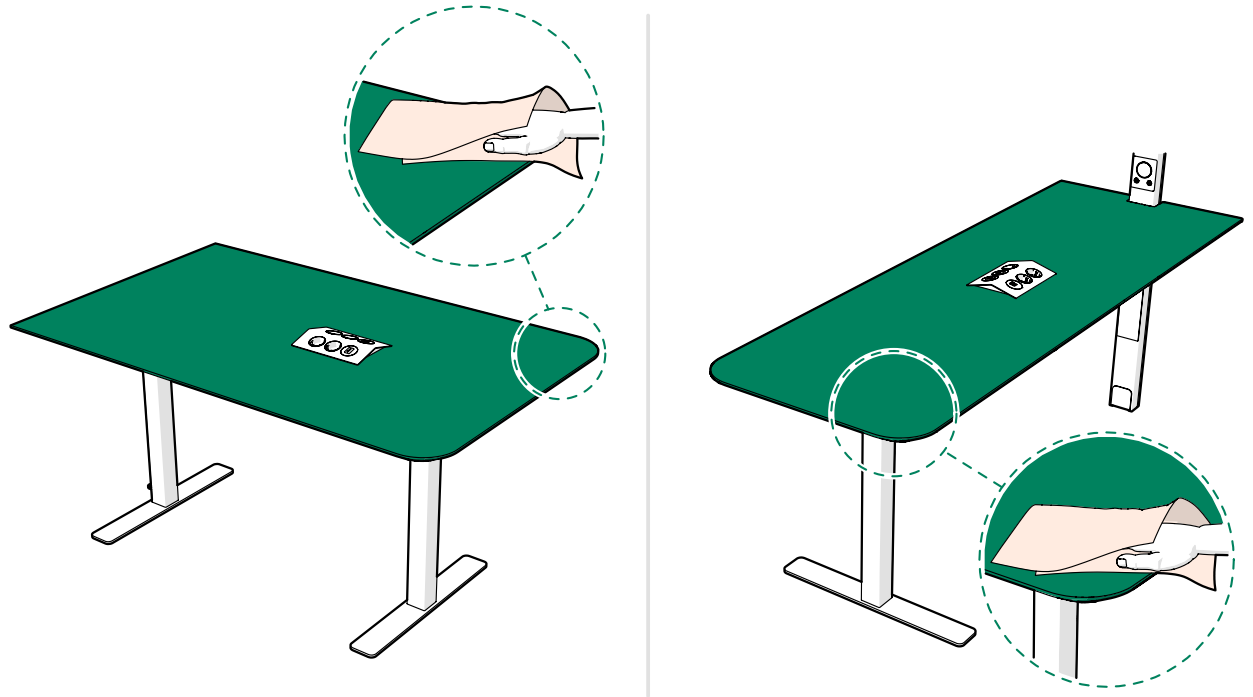
1. Clean the carpet, seats (if present), and interior panels with a vacuum cleaner.



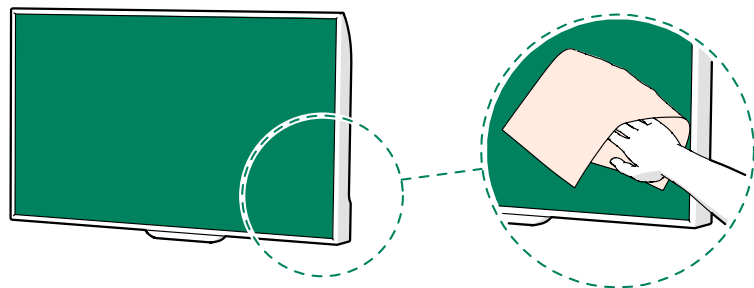
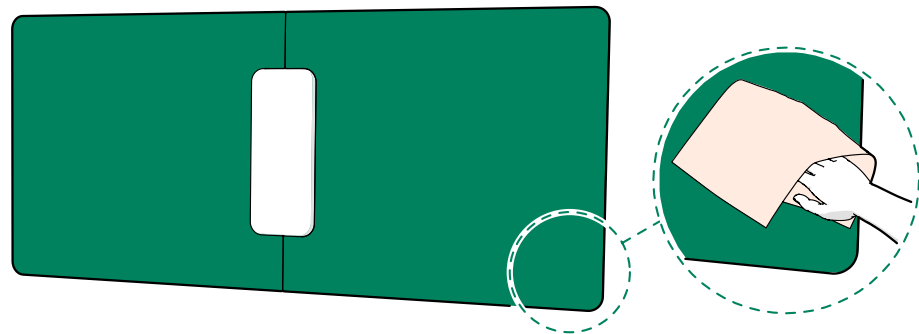
2. Clean the side table and piaggio table with mild alcohol-based all purpose cleaner and a lint-free cloth. Clean the sofas with a vacuum cleaner. (2Q Lounge)



3. Clean the table top with mild alcohol-based all purpose cleaner and a lint-free cloth (2Q Standard, 2Q Huddle).

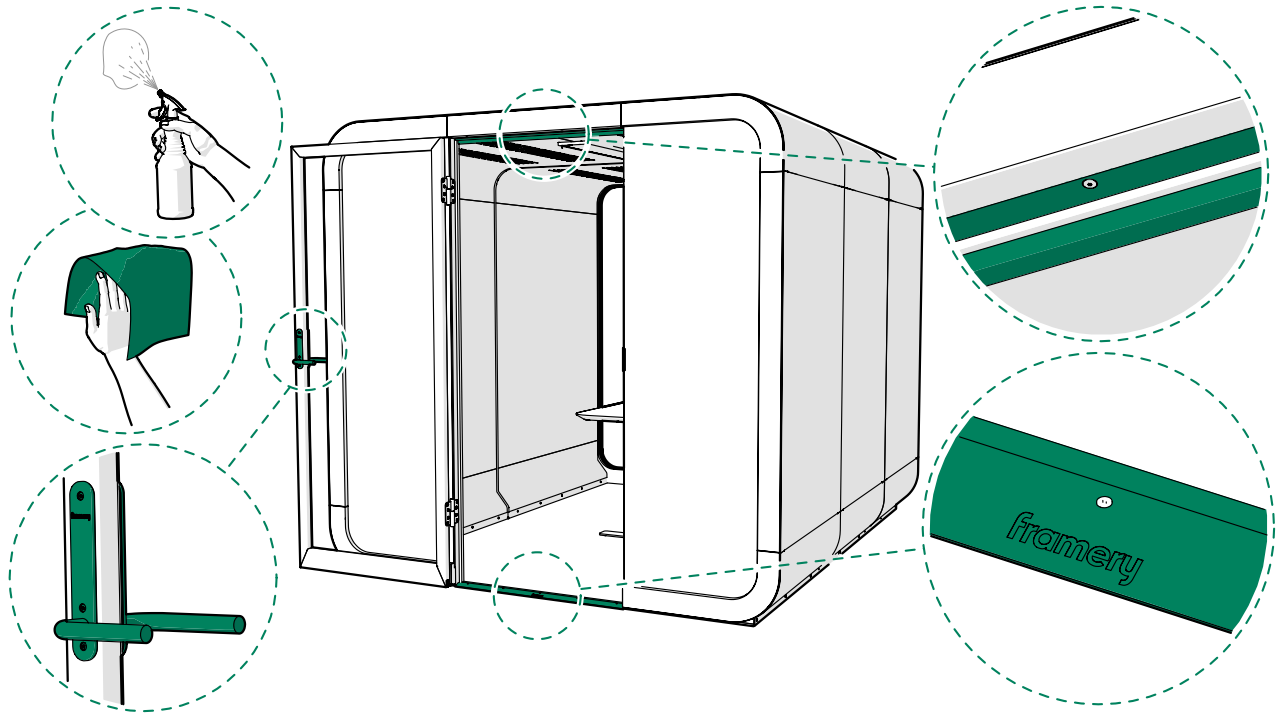


4. Clean the white boards and screen with a microfibre cloth.

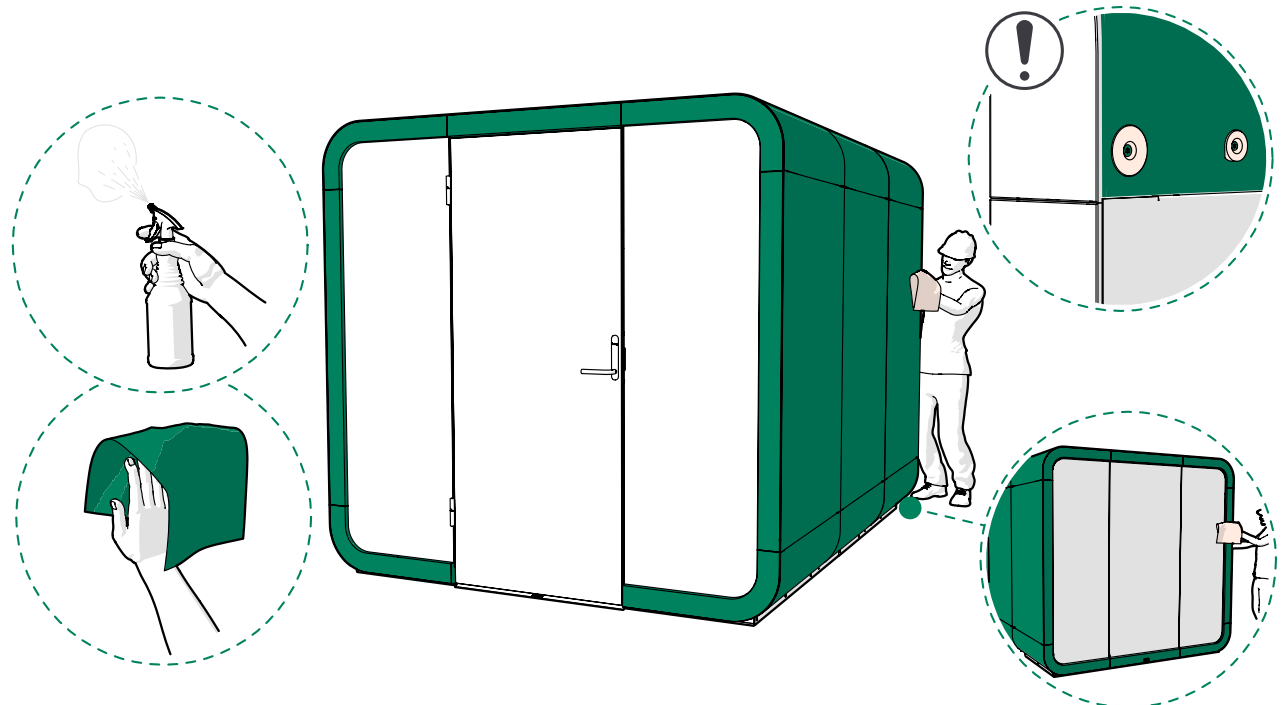




5. Clean the thresholds and door handle with mild alcohol-based all purpose cleaner and a lint-free cloth.



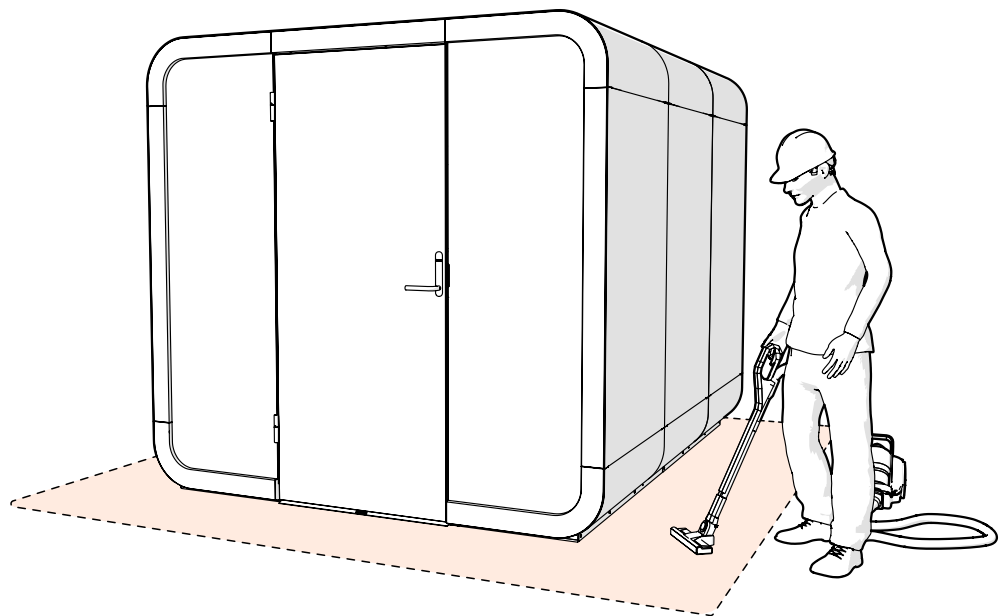
6. Clean the frames and body covers with mild alcohol-based all purpose cleaner and a lint-free cloth.



7. Clean the glasses with glass cleaner and a lint-free cloth.

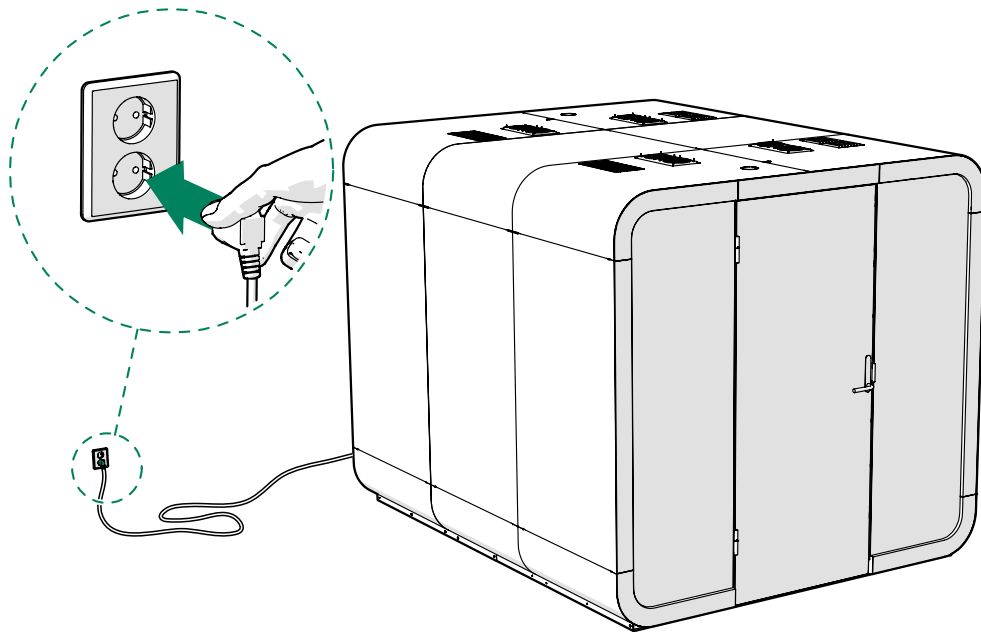


8. Clean the pod surroundings with a vacuum cleaner.

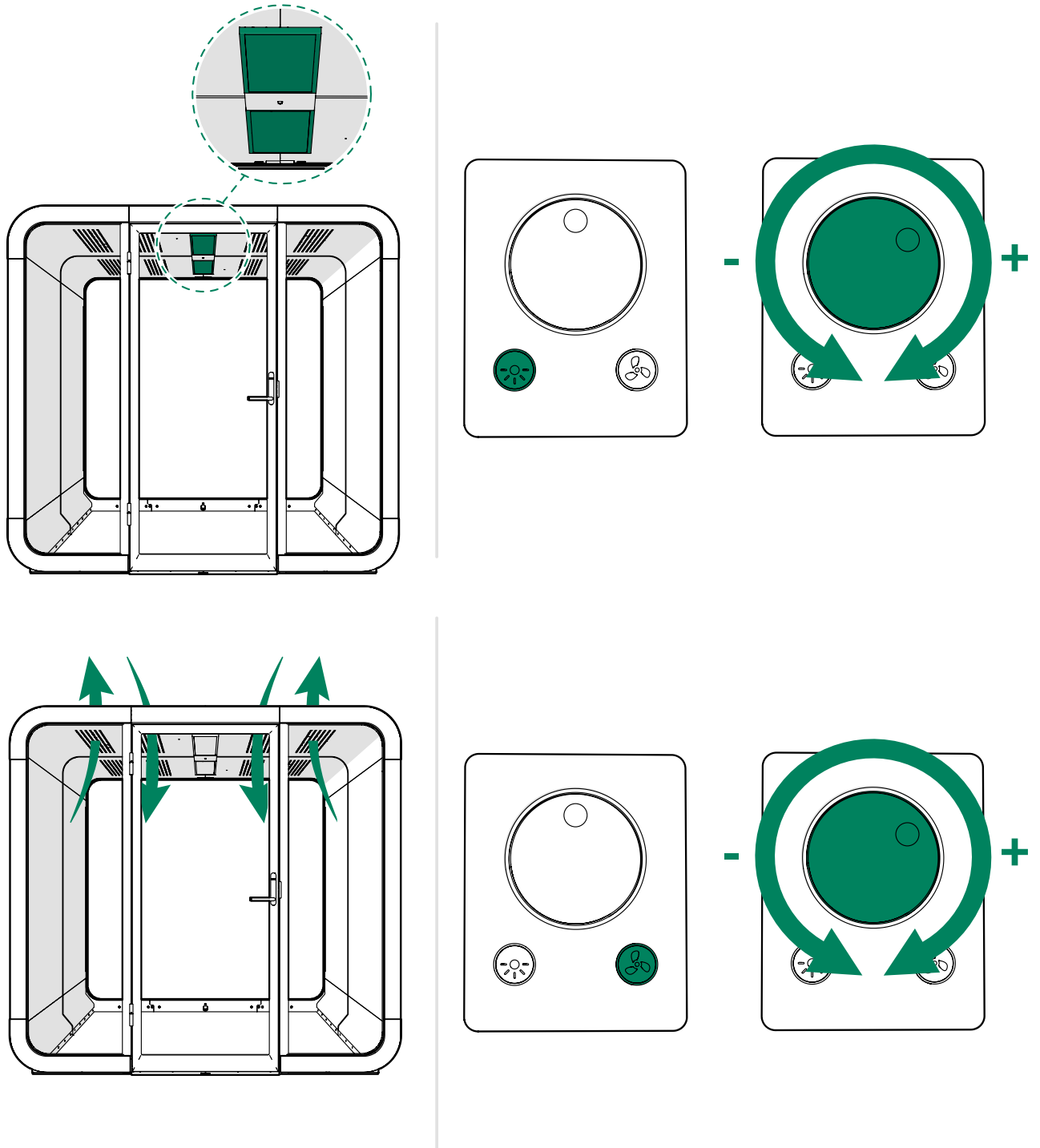


## 9 Check the functionality of electrical components

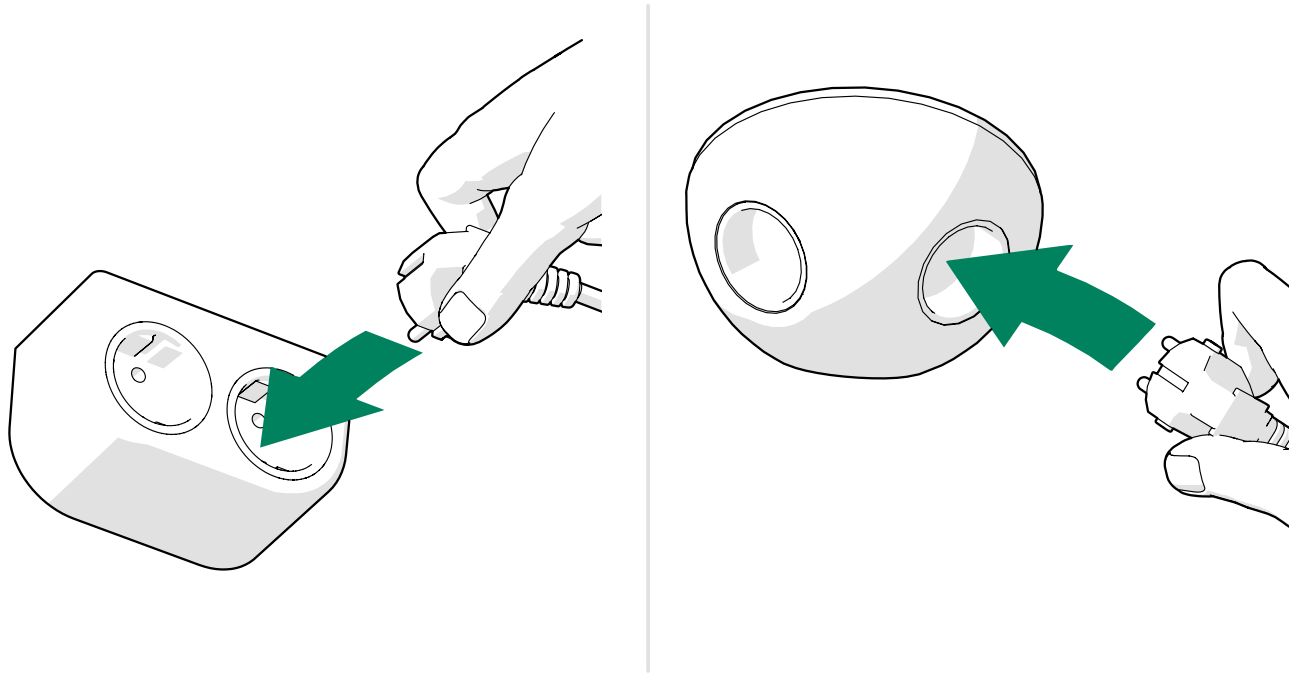
1. Connect the power cord.



2. Check that the light and fans turn on when you enter the pod.



3. Check that the power outlet in the table works.



4. Step out of the pod. Check that the light switches off after approximately eight minutes of no activity.





**framery**

Framery 2Q  
Basic Care Instructions  
Patamäenkatu 7  
33900 Tampere  
FINLAND  
VAT: FI 23527139