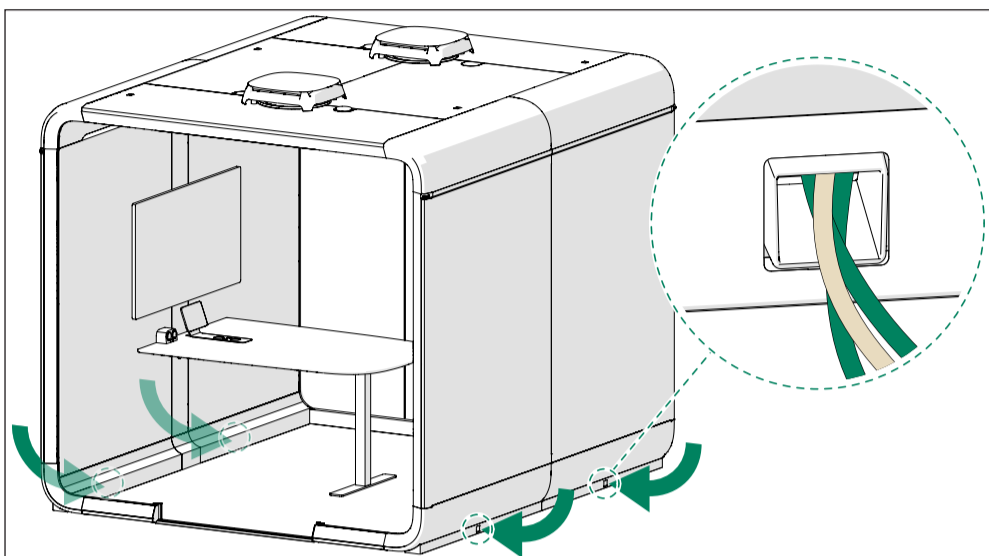


# Framery Six

## Cable routing guide

### CABLE INPUT

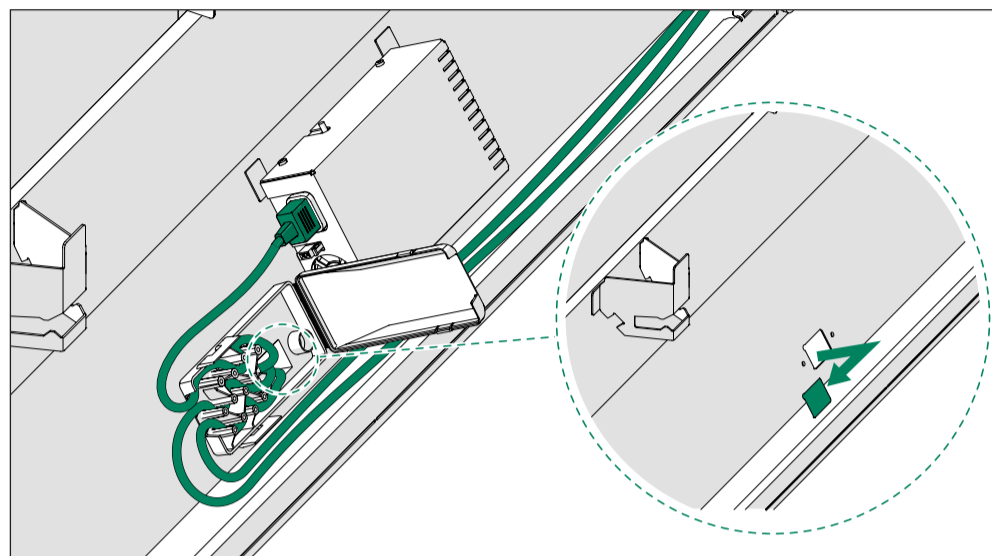
#### Input locations, floor



2 cords can be pulled inside the pod along the same route as the power cord.

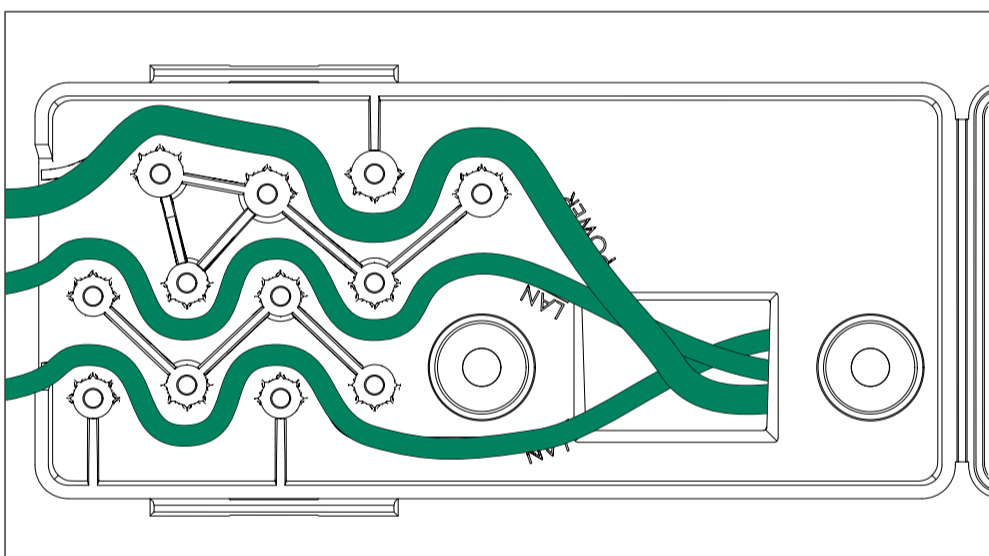
If more cords are needed, they can be pulled from any of the three remaining points.

#### Precut



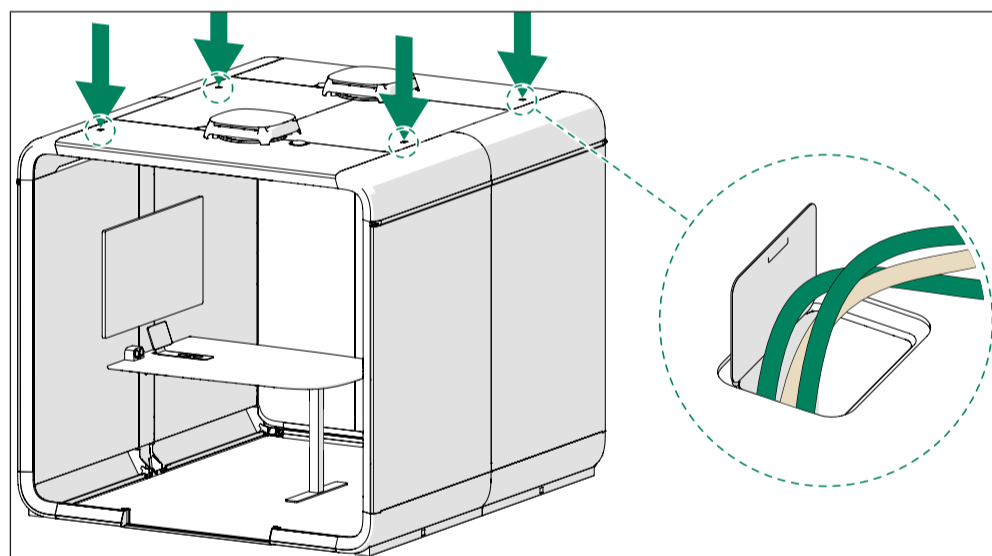
The bottom corners have precuts for cables.

#### Strain relief

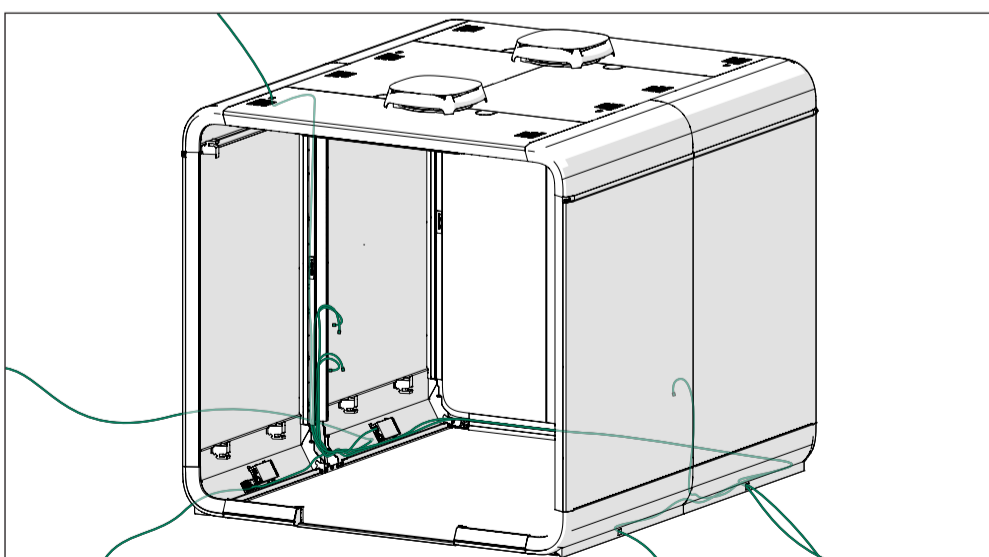


Max three cables in one strain relief.

#### Input locations, roof

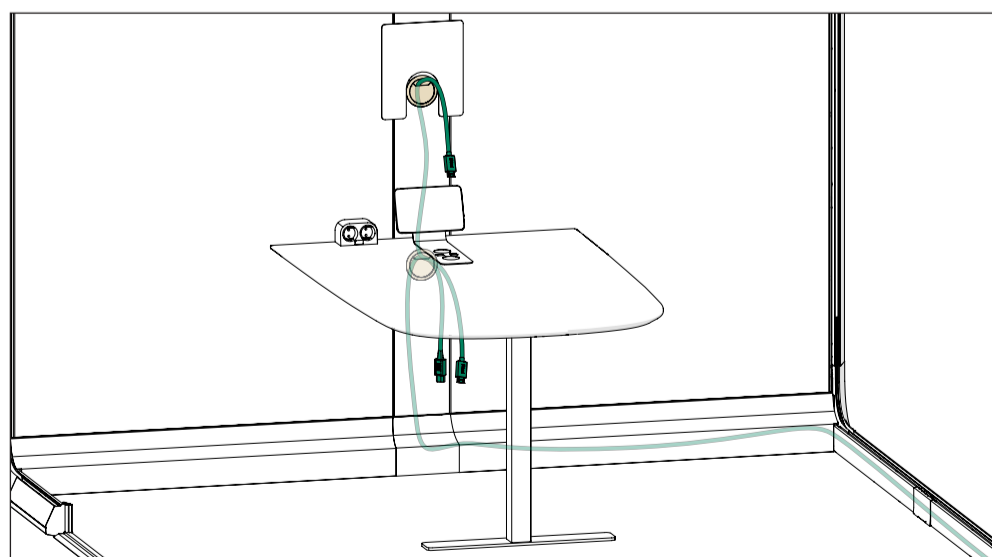


#### Routing



Cables can be routed up or down next to the middle frames.

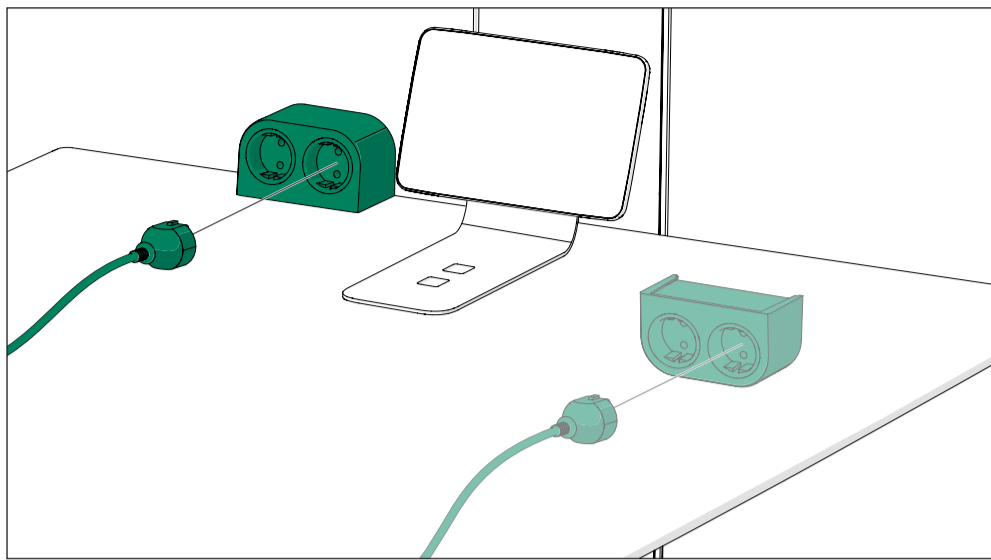
Cables can be routed from either side of the pod behind the cable channels and kickboards.



The middle interior panel has two openings that can be used to bring cords up to the monitor or to the tabletop.

## CONNECTIONS

### Power outlets

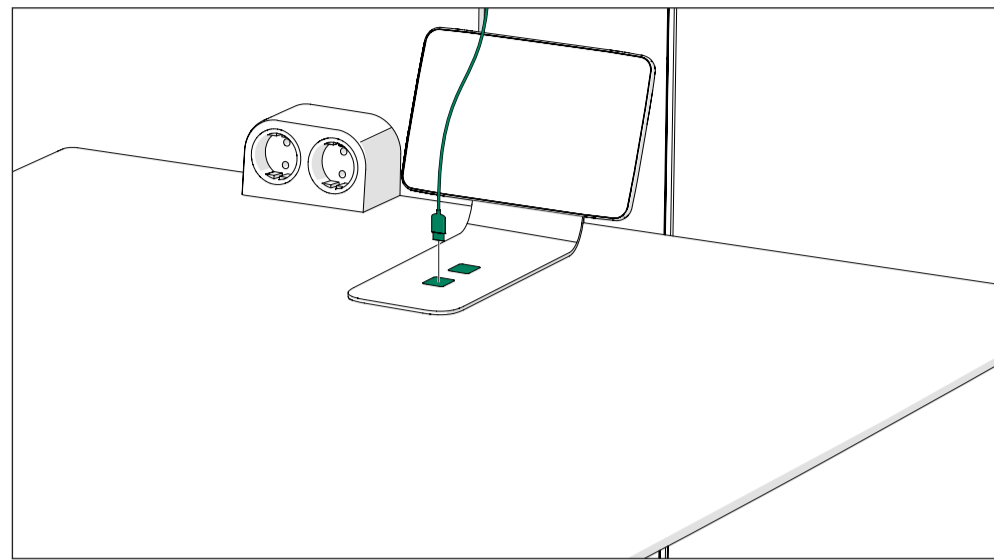


2 on-table power outlets

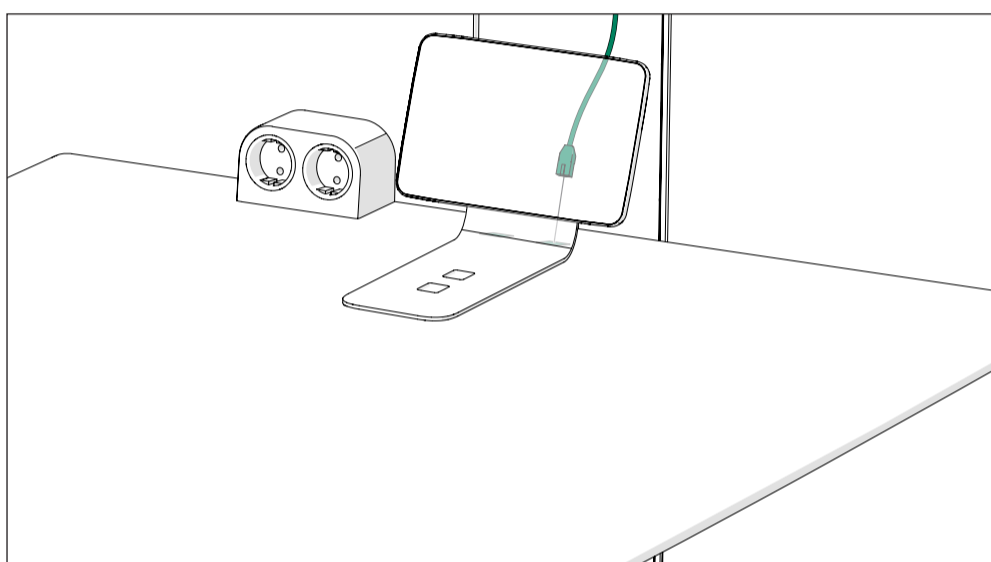
2 under-table power outlets

Optional: extra 2 under-table power outlets

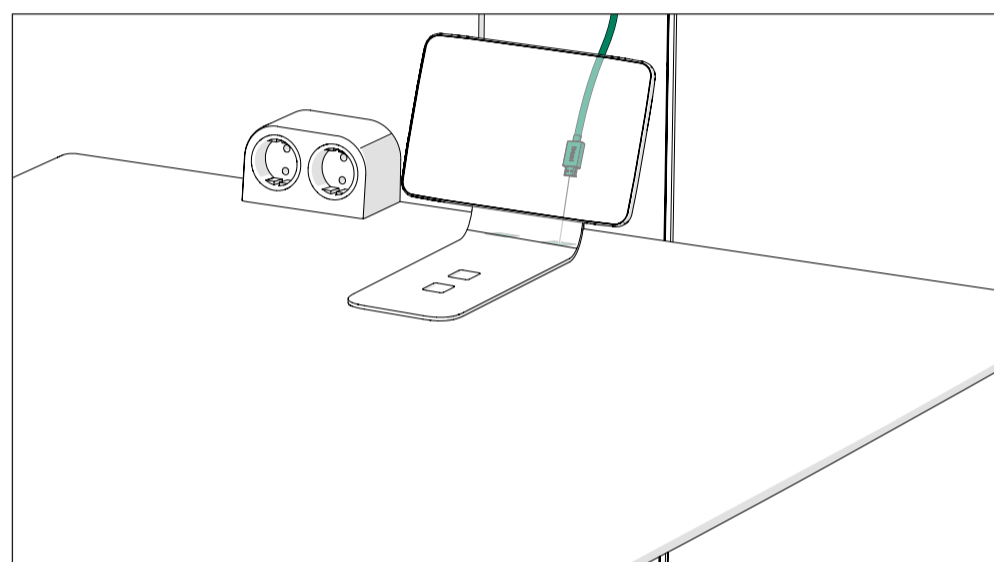
### Optional USB-C ports



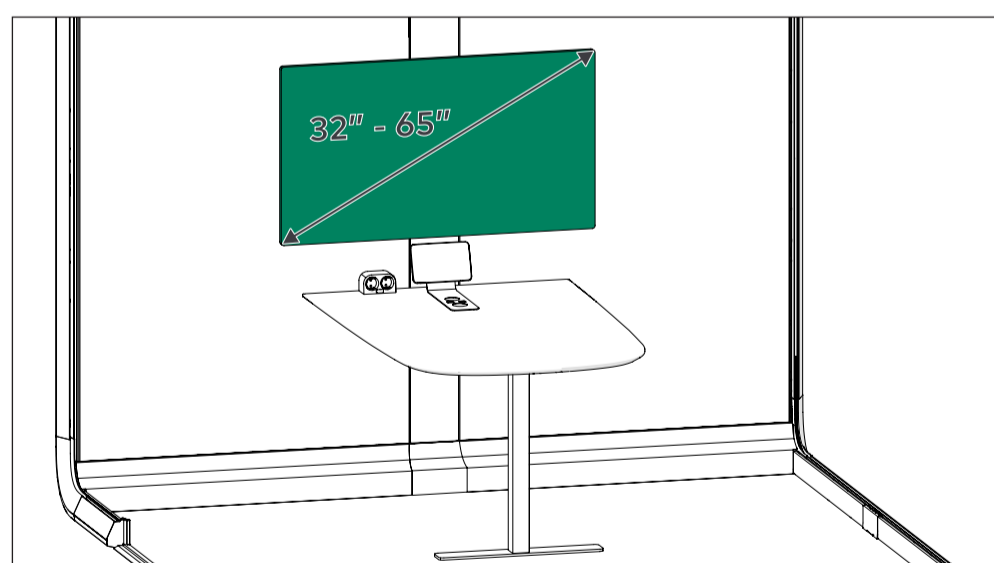
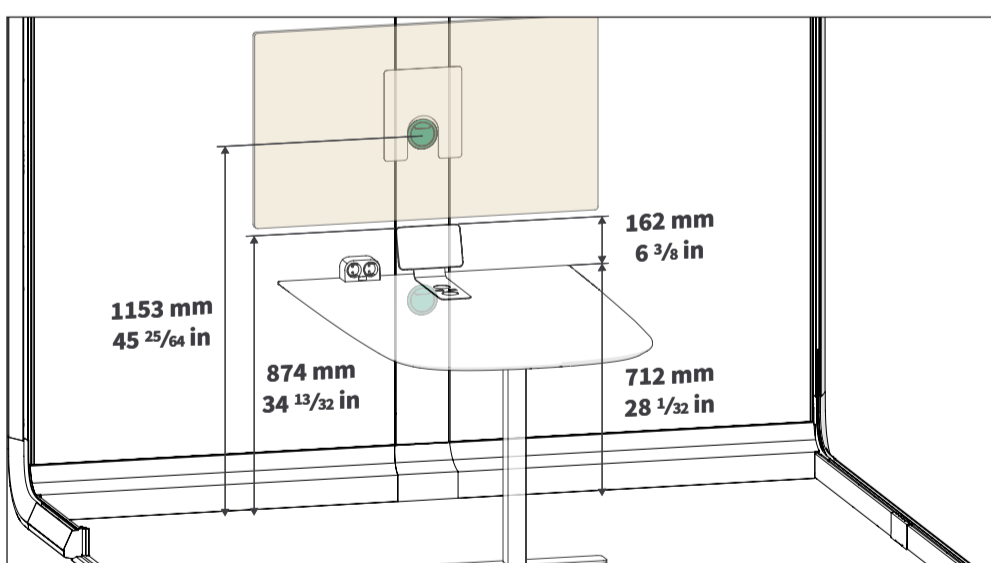
### Optional LAN ports



### Optional HDMI ports



## MEASUREMENTS



The monitor wall mount is suitable for screens from 32 to 65" and compatible with VESA sizes from 100x100 to 400x400.

Max weight 30 kg / 66 lbs.