



Contents

1 Important safety and product instructions.....	5
1.1 Preface.....	5
1.2 Product information.....	5
1.3 Copyright.....	5
1.4 Manual contents.....	5
1.5 Intended use.....	5
1.5.1 Non-conventional use.....	5
1.5.2 Ambient conditions for use.....	6
1.6 Warning, information, and safety symbols in this manual.....	6
1.7 Main safety risks related to the installation, maintenance, disassembly, and use of the product.....	6
1.7.1 Installation, maintenance, and disassembly.....	7
1.7.2 Electrical safety.....	7
1.7.3 Fire safety.....	8
1.7.4 Lifting safety.....	8
1.7.5 Use.....	9
1.7.6 Moving the product on casters (optional).....	10
1.7.7 Radio frequency.....	10
1.8 Location of product markings.....	12
2 Packaging information.....	15
3 Installation requirements.....	16
3.1 Tools and accessories.....	16
3.2 Main dimensions.....	17
3.3 Required operating space.....	17
3.4 Seismic anchoring requirements.....	19
4 Set up the Service Tool app.....	20
5 Install the leveling feet and casters (optional).....	21
6 Lay the floor down at the intended installation site.....	22
7 Level the floor.....	23
8 Install the walls.....	24
9 Install the roof.....	26
10 Install the interior.....	28

10.1	Install the VCR light cord and coat hook bracket.....	28
10.2	Install the panels and coat hook.....	30
10.3	Install the table.....	33
10.4	Install the lights.....	35
10.5	Install the control panel.....	35
10.5.1	Install the control panel (with optional LAN).....	36
10.5.2	Install the control panel (without optional LAN).....	37
10.6	Install the chair and footrest (optional).....	38
10.7	Install the carpet.....	41
10.7.1	Install the carpet (with optional chair and footrest).....	42
10.7.2	Install the carpet (without optional chair and footrest).....	43
11	Install the glass wall.....	45
12	Install the front frame with the door.....	49
12.1	Install the door handles.....	52
13	Install the electrical equipment.....	54
13.1	Install the power unit and electrical cords.....	54
13.1.1	Route the power cord through the roof (optional).....	60
13.2	Connect the electrical cords to the control hub.....	61
13.3	Install the occupancy indicator lights.....	64
14	Install the body covers.....	66
14.1	Install the roof body cover.....	66
14.2	Install the wall body covers.....	67
14.3	Install the floor body covers.....	67
14.4	Install the plastic trims and fan cover.....	68
15	Finalize the installation.....	70
15.1	Check the functionality of the height-adjustable table.....	71
15.2	Reset the table.....	71
15.3	Fill out the installation report in the Service Tool app.....	72

1 Important safety and product instructions

1.1 Preface

This instruction manual describes the installation of the product. Everyone involved in installing the product must read and understand the contents of the installation and safety instructions.

This instruction manual gives you necessary information for the correct installation of the product.

For complete product and safety instructions, see **help.framery.com**.

1.2 Product information

The information in this manual corresponds to the product at the time of delivery. All information included in this manual is valid at the time of publication.

1.3 Copyright

This document must not be copied, presented, or delivered to a third party without explicit permission from Framery. The use of this document for any purpose other than those allowed by Framery is prohibited. Framery reserves the right to change the instructions related to the product without separate notice.

1.4 Manual contents

The installation instructions contain the following information:

- General information about the purpose and content of the instructions
- Information related to safety
- Installation instructions

1.5 Intended use

The Framery One is a pod intended for short term indoor commercial and household use by one (1) person at a time.

Warning:

WARNING –To reduce the risk of burns, fire, electric shock, or injury to persons:

Use this product only for its intended use as described in the user instructions. Do not use attachments not recommended by the manufacturer.

1.5.1 Non-conventional use

Any use or maintenance of the product that is not specifically allowed in the installation, maintenance, troubleshooting or user instructions is prohibited, including the following:

- Installation, maintenance or disassembly of the pod without reading and understanding the instructions for those actions

- Use of the pod beyond the limits of use
- Making alterations to the pod
- Using the pod in spite of obvious defects or damage
- Using the pod outdoors or in conditions where the temperature or air quality is not safe
- Climbing on top of the product or placing any load on the roof of the product
- Smoking in the pod

1.5.2 Ambient conditions for use

The pod is intended to be used in the following conditions:

- Ambient temperature: +15°C ... +30°C (59°F ... 86°F)
- Humidity: max. 50%
- Sufficient air quality surrounding the product

1.6 Warning, information, and safety symbols in this manual

The warnings in this manual have been divided into the following two categories:

- The term "DANGER" indicates a hazardous situation which, if not avoided, will result in death or serious injury.
- The term "WARNING" indicates a hazardous situation which, if not avoided, could result in death or injury.

The safety symbols found in this manual may also be posted on the product. All personnel who install, disassemble, perform maintenance, or use the product are to be familiar with and observe all safety symbols, labels, and instructions about the action they are performing.

Table 1: Hazard



	An exclamation point symbol inside a colored triangle indicates a hazardous situation.
	

Table 2: Mandatory action











	A white symbol inside a colored circle indicates an action that must be taken to avoid a hazardous situation.
---	---

Table 3: Prohibited action

	A ring with a diagonal bar indicates an action that is not allowed.
---	---

1.7 Main safety risks related to the installation, maintenance, disassembly, and use of the product





1.7.1 Installation, maintenance, and disassembly



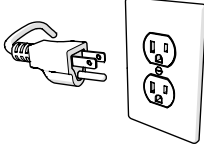

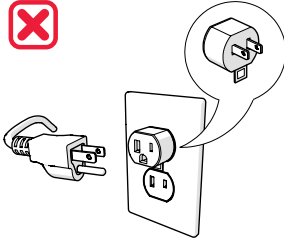



	<p>WARNING!</p> <p>To reduce the risk of burns, fire, electric shock, or injury to persons, obey the following:</p>
	<p>Use cut resistant safety gloves during the installation, maintenance, or disassembly of the product.</p>
	<p>Use steel toed safety boots during the installation, maintenance, or disassembly of the product.</p>
	<p>Read and understand the instructions and plan your work beforehand.</p>
	<p>Obey all local rules and regulations regarding workplace safety.</p>
	<p>Keep the work site tidy and free from debris throughout the installation, maintenance, or disassembly process.</p>
	<p>Do not climb on top of the product or place any load on the roof of the product.</p>
	<p>If the optional casters are not engaged, do not move the finished product by pushing.</p> <p>The product is very heavy. Moving the product after installation without engaging the optional casters is not allowed.</p>

1.7.2 Electrical safety



Input for the electrical system: 100-240 VAC (10 A) 50-60 Hz

The maximum load for the electrical system is 6.6 A.

	<p>DANGER!</p> <p>To reduce the risk of electric shock, obey the following:</p>
	<p>Disconnect the power cord from the power outlet before starting any cleaning, maintenance, or disassembly procedures.</p> <p>The power cord serves as a power disconnect device for pluggable equipment. The power outlet shall be located near the equipment and shall be easily accessible.</p>
	<p>WARNING!</p> <p>To reduce the risk of burns, fire, electric shock, or injury to persons, obey the following:</p>
	<p>Connect the power cord to a properly grounded outlet only.</p>

	<p>Only in USA and Canada: This product is for use on a nominal 120-volt circuit and has a grounding plug that looks like the plug illustrated in the figure below. Make sure that the product is connected to an outlet having the same configuration as the plug. No adapter should be used with this product.</p> <div style="display: flex; justify-content: space-around; align-items: center;"> <div style="text-align: center;">   </div> <div style="text-align: center;">   </div> </div>
	<p>Keep the power cord of the product away from heated surfaces.</p>
	<p>Do not use the pod if you notice any defects or damage to the electrical equipment.</p>
	<p>Do not connect any extension cords to the power outlet(s) of the product.</p>



1.7.3 Fire safety



	<p>WARNING!</p> <p>To reduce the risk of burns, fire, electric shock, or injury to persons, obey the following:</p>
	<p>If safely possible to perform, disconnect the power cord from the power outlet if there is a fire inside the product.</p> <p>The power cord serves as a power disconnect device for pluggable equipment. The power outlet shall be located near the equipment and shall be easily accessible.</p>

Fire safety end devices (alarms, sprinklers etc.) can also be installed inside the pods (instructions available upon request). The need for end devices inside the pod is always determined by the applicable local authorities.

Only in Japan: The pods might be exempt from the requirement of fire safety devices (alarms, sprinklers etc.) in the pod. For more information on the exemption requirements, contact the fire department responsible for your building.

1.7.4 Lifting safety

	<p>WARNING!</p> <p>To reduce the risk of injury to persons and damage to property, obey the following:</p>
	<p>Obey all local rules and regulations regarding lifting ergonomics and lifting safety.</p>

	Carefully plan all lifts before hand.
	Keep the work site tidy and free from debris.

1.7.5 Use











Warning:









WARNING –To reduce the risk of burns, fire, electric shock, or injury to persons:

If the product is anticipated to be used in places where children under the age of 8 and people with cognitive disabilities are present, use must be supervised at all times.





The maximum load for the Framery One adjustable table is 50 kg (110 lbs)

The maximum load for the Framery One chair is 136 kg (300 lbs)


	WARNING! To reduce the risk of burns, fire, electric shock, or injury to persons, obey the following:
	Read and understand the user instructions before using the product.
	 Note: The following statement applies to use in Japan. This equipment is not suitable for use in locations where children are likely to be present.
	 Note: The following statements apply to use in all other countries. Close supervision is necessary when this furnishing is used by, or near children, invalids, or disabled persons. Keep children away from extended foot support (or other similar parts).
	Risk of injury! Keep hands and other body parts clear of the side edges of the table when raising or lowering the electrically adjustable table top. This applies to all Framery pods with an electric adjustable table.
	Do not use the product if the surrounding conditions are in any way hazardous; the air circulating inside the pod is derived from the surrounding space.
	Do not use the product if the ventilation is not functioning.
	Do not use the product if the ventilation channels are blocked. Keep the ventilation channels free of lint, hair, and the like.

	Do not use the pod if you notice any defects in the electrical equipment or if the product is not working properly. Disconnect the power cord from the power outlet and contact your local dealer or the manufacturer immediately.
	Do not drop or insert any object into any opening if not specifically instructed to do so in this manual.
	Do not use outdoors.
	Do not use where aerosol (spray) products are being used or where oxygen is being administered.
	Do not climb on top of the product or place any load on the roof of the product.
	Do not lean against the product.
	Do not smoke inside the product.
	Do not obstruct the view through the front and back glasses by posting signs, decorations, or by installing blinds or draperies that would prevent occupants from seeing the visible alarm appliances located in the structure where the pod is installed.

1.7.6 Moving the product on casters (optional)

	WARNING! The product is very heavy. Moving the product on the casters requires planning and care. Make sure the product cannot tip over while moving.
	Only move the product on even surfaces: no cracks or thresholds over 3 mm (1/8 in) on the intended route.
	When moving the product, only push below the vertical middle. Do not tow the product.
	Do not enter the product if it is standing on the casters. It is only allowed to use the casters for moving the product. Return the full weight of the product onto the leveling feet immediately after relocation and level the floor.

1.7.7 Radio frequency

-  **Note:** This equipment has been tested and found to comply with the limits for a Class B digital device, pursuant to part 15 of the FCC Rules. These limits are designed to provide reasonable protection against harmful interference in a residential installation. This equipment generates, uses and can radiate radio frequency energy and, if not installed and used in accordance with the instructions, may cause harmful interference to radio communications. However, there is no guarantee that interference will not occur in a particular installation. If this

equipment does cause harmful interference to radio or television reception, which can be determined by turning the equipment off and on, the user is encouraged to try to correct the interference by one or more of the following measures:

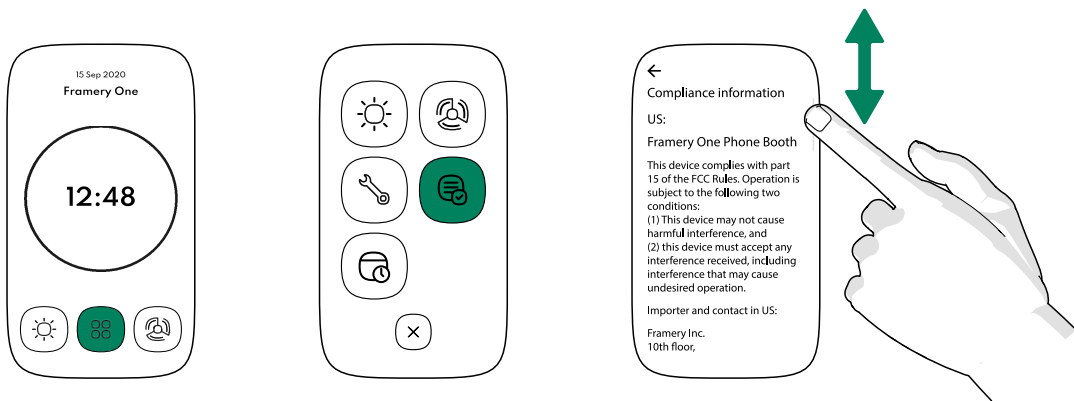
- Reorient or relocate the receiving antenna.
- Increase the separation between the equipment and receiver.
- Connect the equipment into an outlet on a circuit different from that to which the receiver is connected.
- Consult the dealer or an experienced radio/TV technician for help.



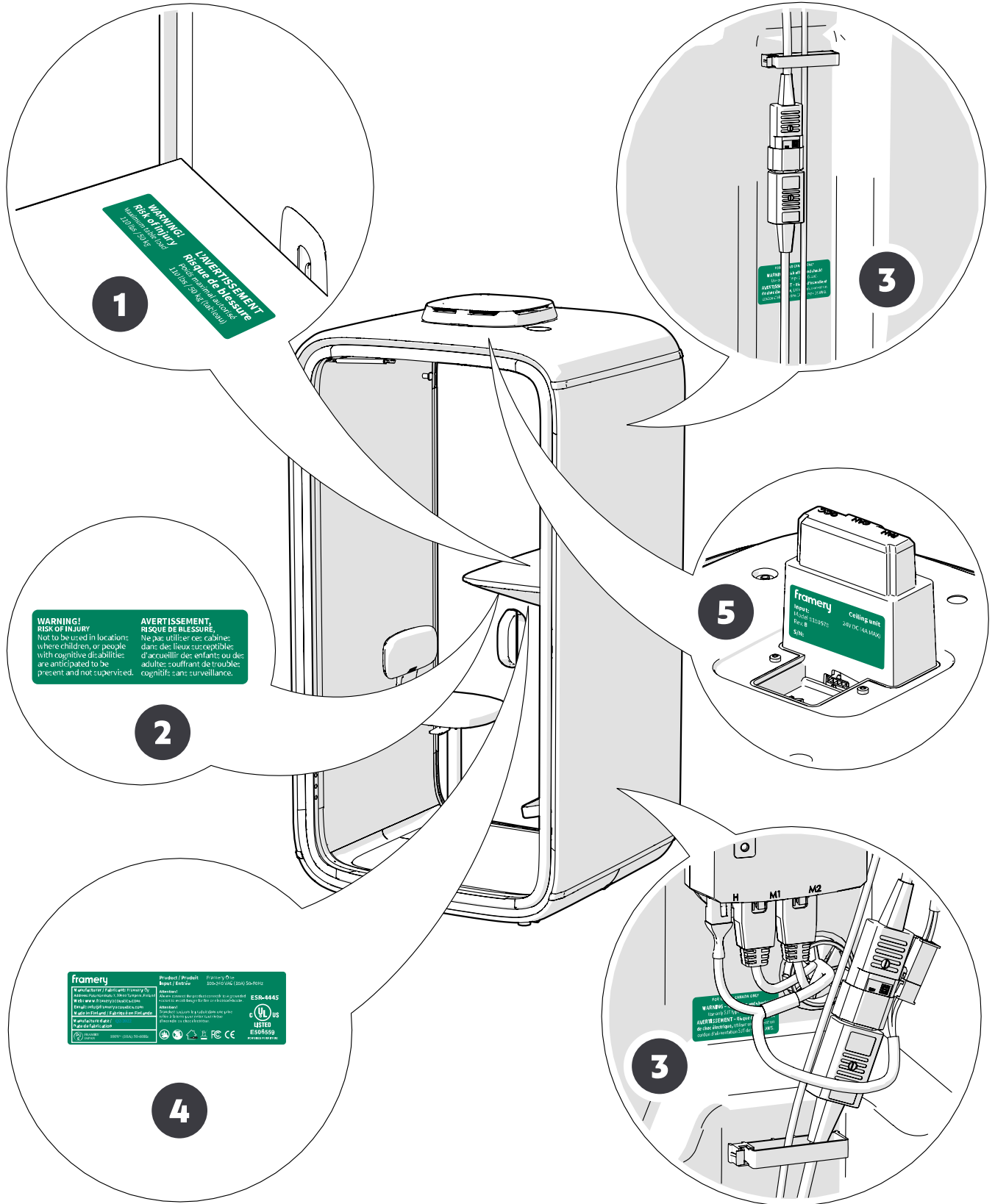
Note: Any changes or modifications not expressly approved by Framery Oy could void the user's authority to operate the equipment.



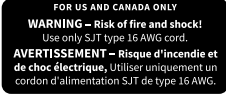
The control unit of this Framery pod is a portable device per FCC 2.093. The FCC labelling and compliance information is electronically available on control unit display. The control unit is exclusively for use in Framery pod and not to be integrated to any other device.

The regulatory information can be accessed from the control panel:



1.8 Location of product markings



Position	Label	Label text
1.	 <p>WARNING! Risk of injury Maximum table load 110 lbs / 50 kg. Framery US patents & Global IPR: frameryacoustics.com/ipr</p> <p>L'AVERTISSEMENT Risque de blessure Poids maximal autorisé 110 lbs / 50 kg (tableau)</p>	<p>WARNING! Risk of injury</p> <p>Maximum table load 110 lbs / 50 kg</p> <p>L'AVERTISSEMENT Risque de blessure</p> <p>Poids maximal autorisé 110 lbs / 50 kg (tableau)</p> <p>Framery US patents & Global IPR: frameryacoustics.com/ipr</p>
2.	 <p>WARNING! RISK OF INJURY Not to be used in locations where children, or people with cognitive disabilities are anticipated to be present and not supervised.</p> <p>AVERTISSEMENT, RISQUE DE BLESSURE, Ne pas utiliser ces cabines dans des lieux susceptibles d'accueillir des enfants ou des adultes souffrant de troubles cognitifs sans surveillance.</p>	<p>WARNING! RISK OF INJURY</p> <p>Not to be used in locations where children, or people with cognitive disabilities are anticipated to be present and not supervised.</p> <p>AVERTISSEMENT, RISQUE DE BLESSURE,</p> <p>Ne pas utiliser ces cabines dans des lieux susceptibles d'accueillir des enfants ou des adultes souffrant de troubles cognitifs sans surveillance.</p>
3.	 <p>FOR US AND CANADA ONLY WARNING – Risk of fire and shock! Use only SJT type 16 AWG cord. AVERTISSEMENT – Risque d'incendie et de choc électrique, Utiliser uniquement un cordon d'alimentation SJT de type 16 AWG.</p>	<p>FOR US AND CANADA ONLY</p> <p>WARNING - Risk of fire and shock!</p> <p>Use only SJT type 16 AWG cord.</p> <p>AVERTISSEMENT - Risque d'incendie et de choc électrique, Utiliser uniquement un cordon d'alimentation SJT de type 16 AWG.</p>

Position	Label	Label text
4.	 <p>framery Manufacturer / Fabricant: Framery Oy Address: Patamäenkatu 7, 33900 Tampere, Finland Web: www.frameryacoustics.com Email: info@frameryacoustics.com Made in Finland / Fabriqué en Finlande Manufacture date / Date de fabrication: Q2/2022 100V~ (10A) 50-60Hz UL LISTED E506559 POWERED FURNITURE Framery One 100-240 VAC (10A) 50-60Hz ESR-4445 Attention! Always connect the product correctly to a grounded socket to avoid danger for fire or electrical shocks. Attention! Branchez toujours le produit dans une prise reliée à la terre pour éviter tout risque d'incendie ou choc électrique.</p>	<p>Framery Manufacturer / Fabricant: Framery Oy Address: Patamäenkatu 7, 33900 Tampere, Finland Web: www.frameryacoustics.com Email: info@frameryacoustics.com Made in Finland / Fabriqué en Finlande Manufacture date / Date de fabrication Product / Produit Framery One Input / Entrée 120 VAC (10 A) 50-60 Hz Attention! Always connect the product correctly to a grounded socket to avoid danger for fire or electrical shocks. Product evaluated class A (ASTM E84/UL723) Attention! Branchez toujours le produit dans une prise reliée à la terre pour éviter tout risque d'incendie ou choc électrique. Produit de classe A (ASTM E84/UL 723) Framery US patents & Global IPR: frameryacoustics.com/ipr</p>
5.	 <p>framery Ceiling unit Input: 24V DC (4A MAX) Model 8180678 Rev. B S/N:</p>	<p>Framery Ceiling unit Input: 24V DC (4A MAX) Model 8180678 Rev. B S/N:</p>

SAVE THESE INSTRUCTIONS

2 Packaging information

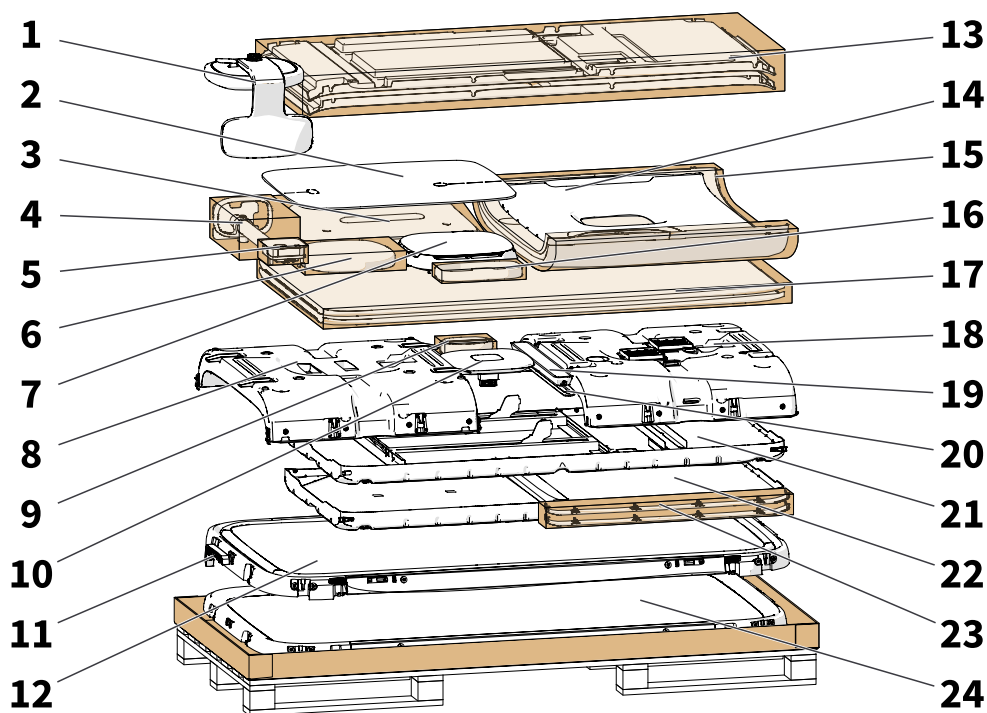


Figure 1: Package layout

1	Upper seat body	13	Blank wall & Table wall interior panels
2	Carpet	14	Ceiling panel
3	Table	15	Exterior roof/floor set
4	Lower seat body	16	Footrest
5	Control unit	17	Exterior wall set
6	Seat upholstery	18	Roof module
7	AC filter	19	VCR light
8	Floor module	20	Table trims
9	Handle set	21	Table wall module
10	Ceiling light	22	Blank wall module
11	Door holder	23	Exterior trim set
12	Door module	24	Back frame glass module

3 Installation requirements

3.1 Tools and accessories

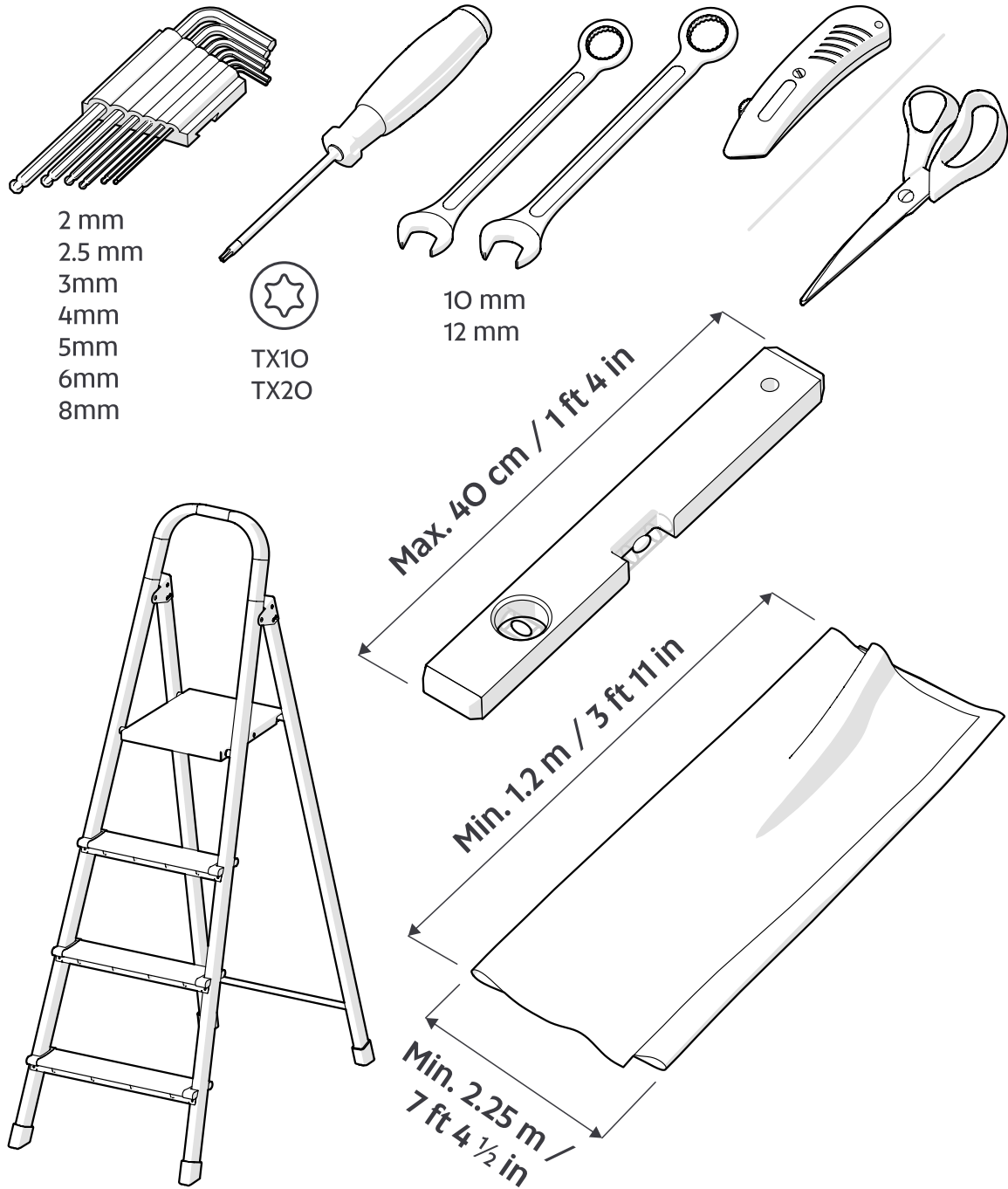


Figure 2: Tools and accessories

3.2 Main dimensions

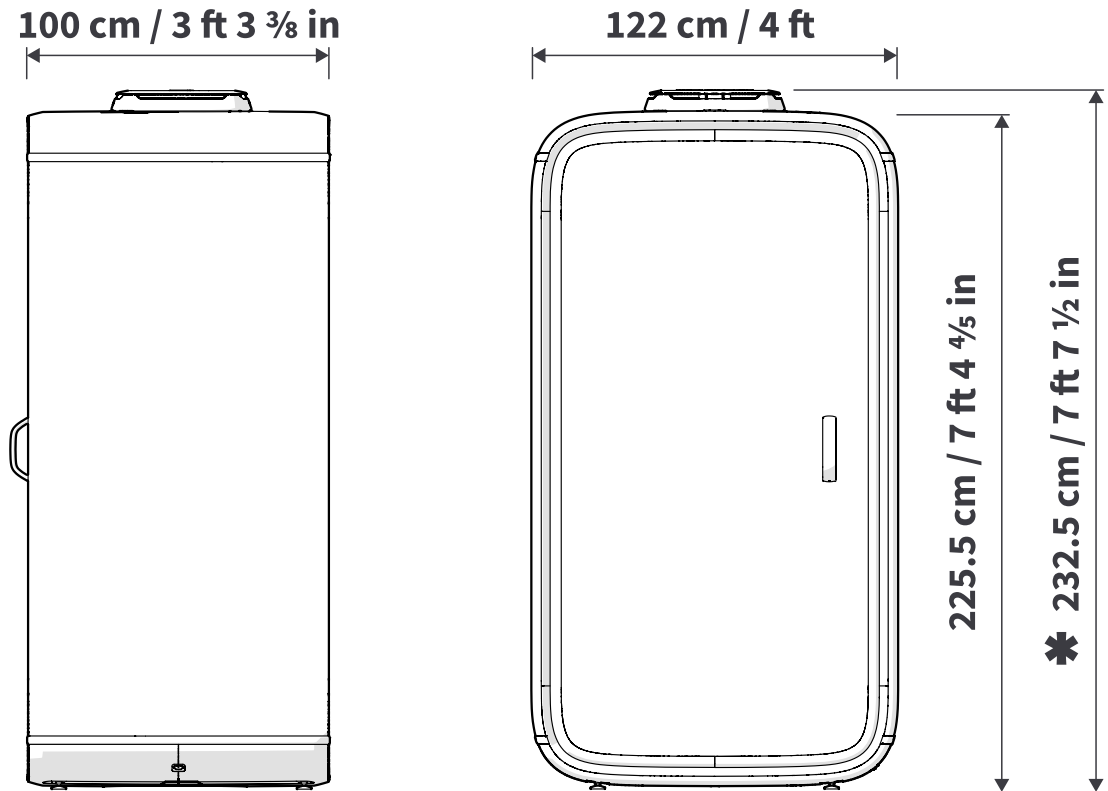


Figure 3: * = With optional activated carbon filter

3.3 Required operating space



Note: If the pod is connected to the sprinkler system of the building, the required space on each side of the pod is at least 50 cm / 20 in.

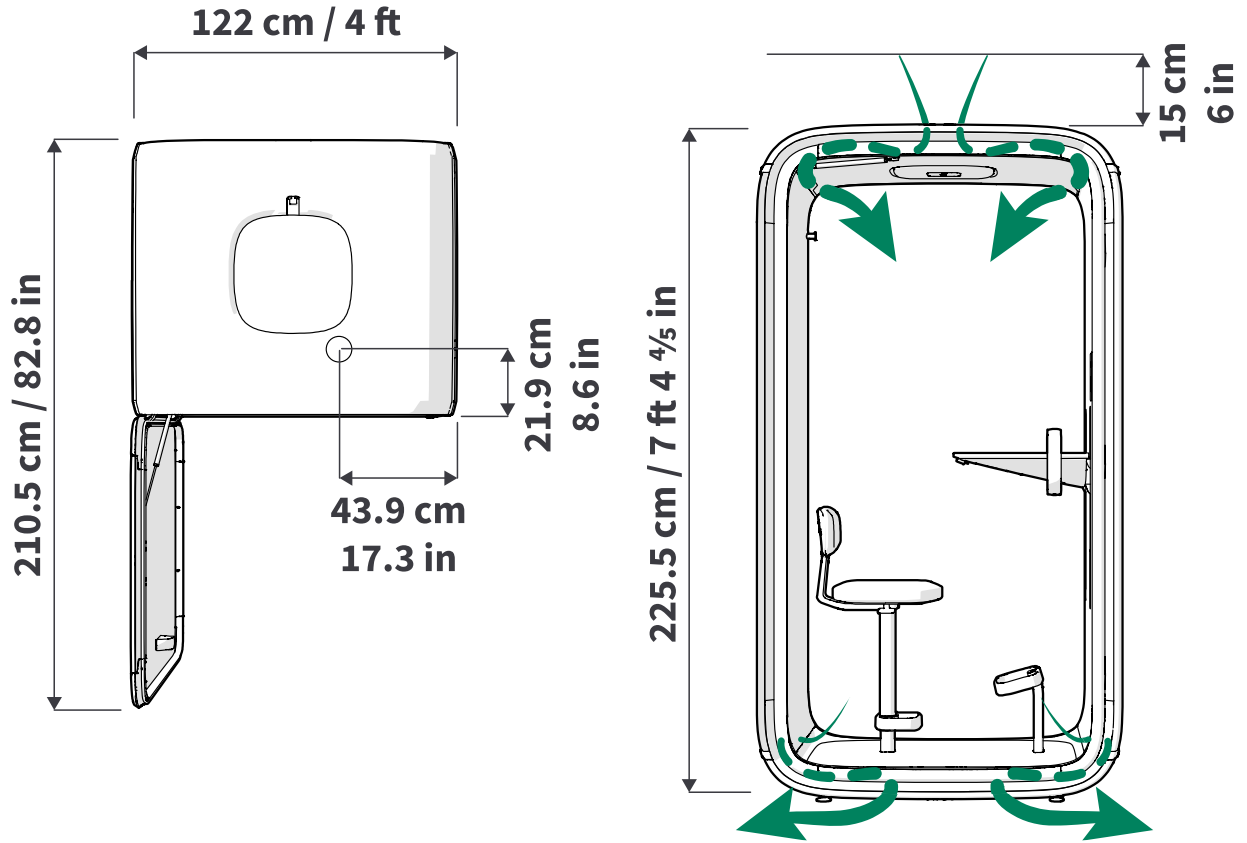


Figure 4: Required operating space

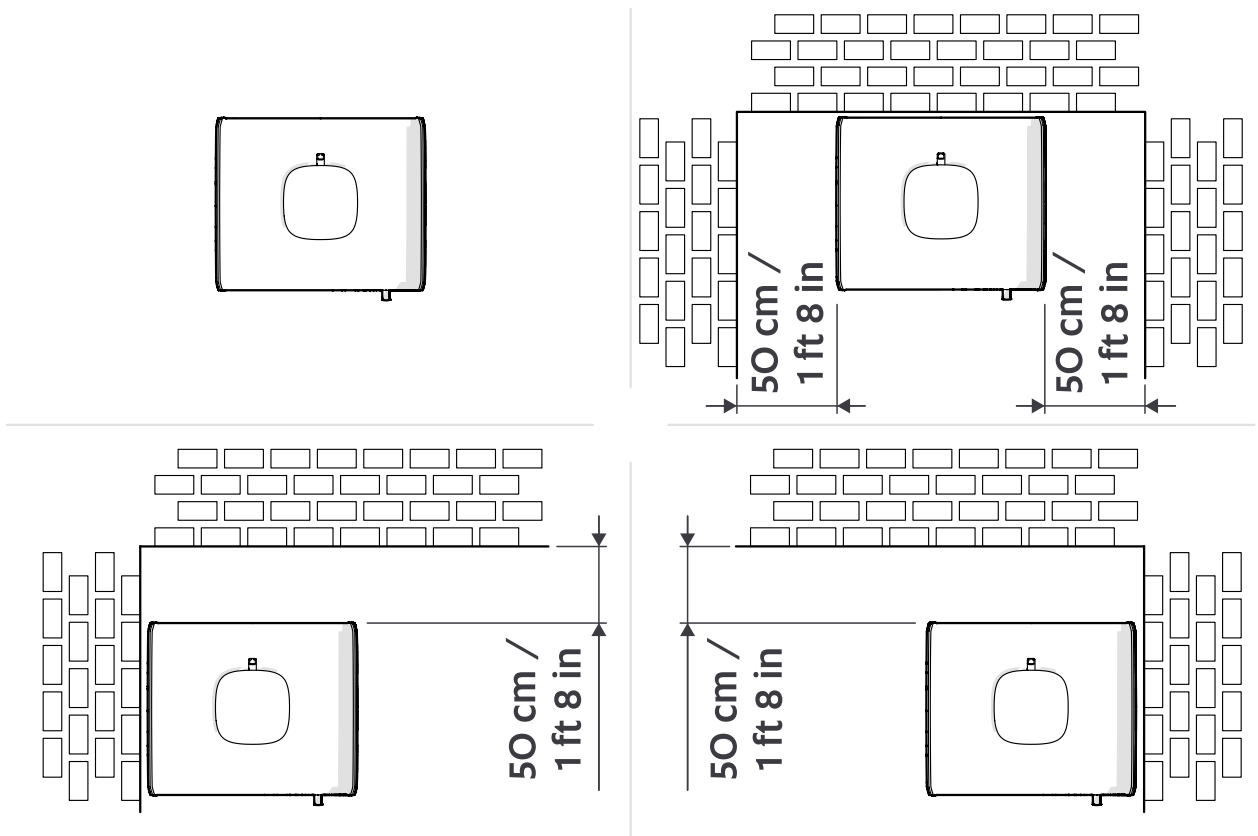


Figure 5: Required space for engaging the optional casters

3.4 Seismic anchoring requirements

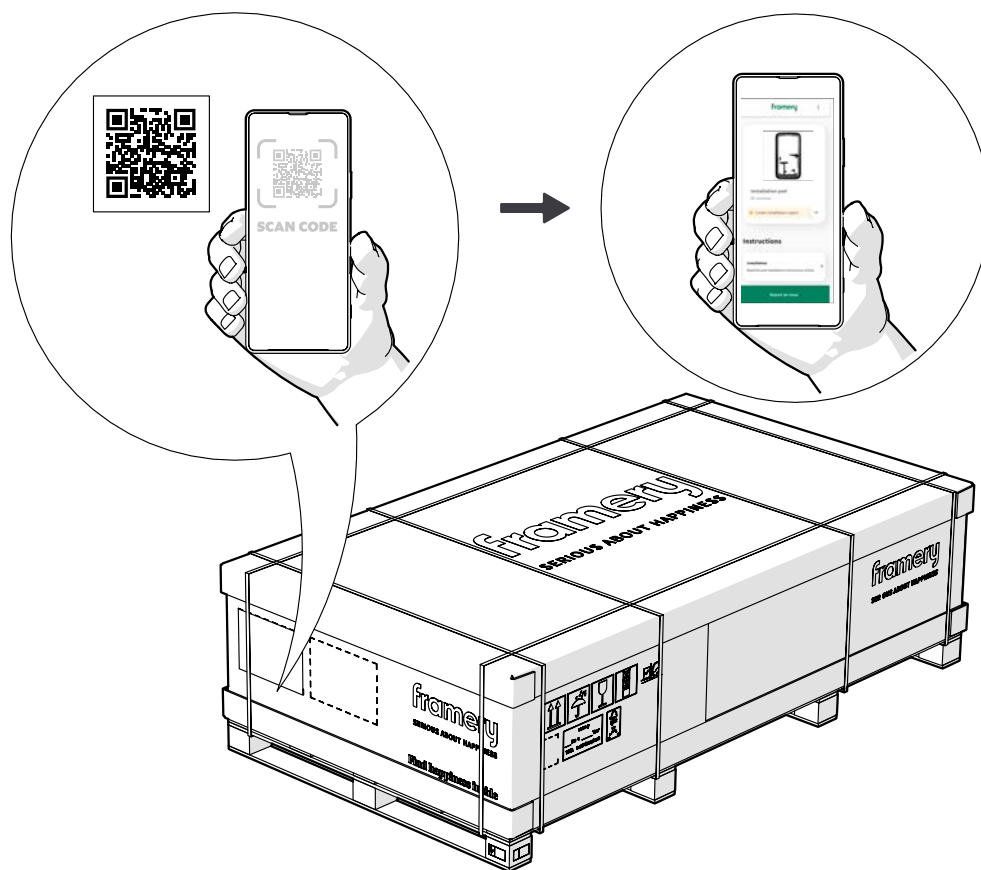
**Note:**

When installing the product, take into consideration all local laws, rules and regulations concerning seismic anchoring and seismic safety.

For installations in the U.S., in buildings located in Seismic Design Categories A and B, anchoring to the floor is optional. In buildings located in Seismic Design Categories C, D, E or F, anchoring to the floor is required.

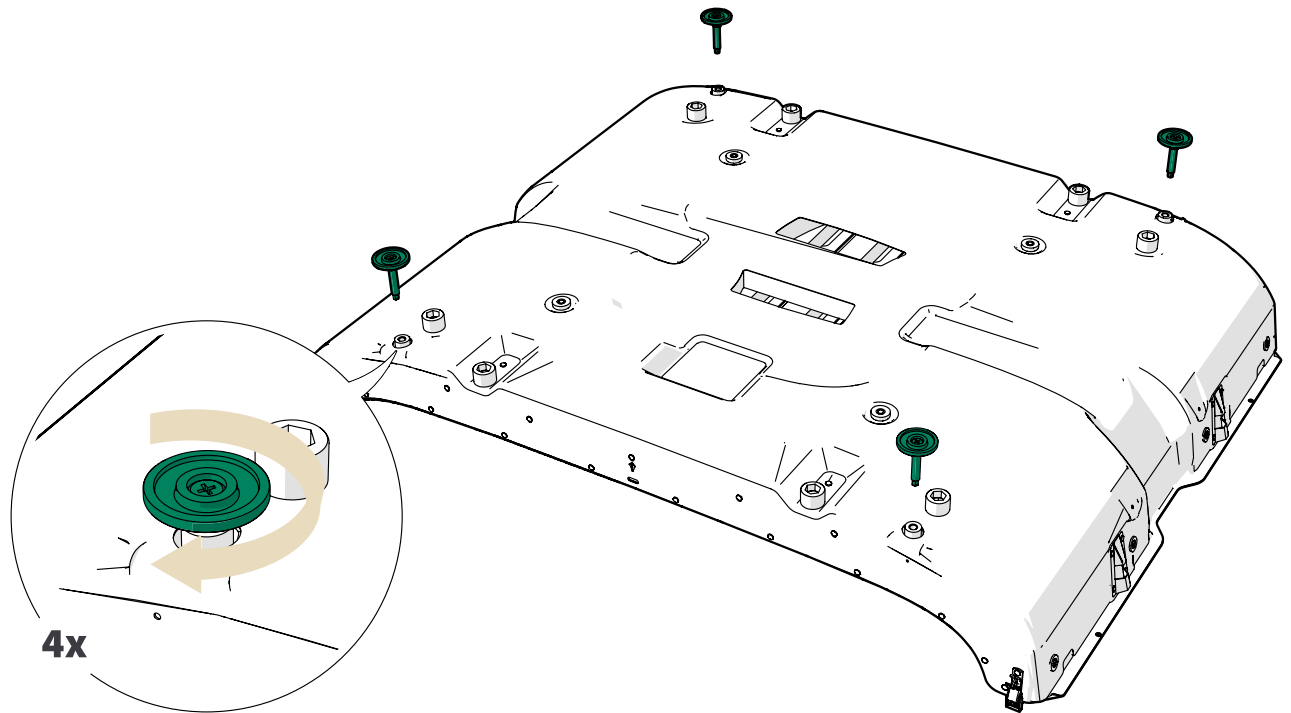
When anchoring to the floor, plans that address seismic design categories must be prepared by a registered design professional. The plans are to include definitions on the type, size and location of anchors and installation limitations. Additionally, installation must be in accordance with the applicable codes [IBC, IFC, IMC, NFPA 70 and, when installed with a sprinkler, NFPA 13].

4 Set up the Service Tool app

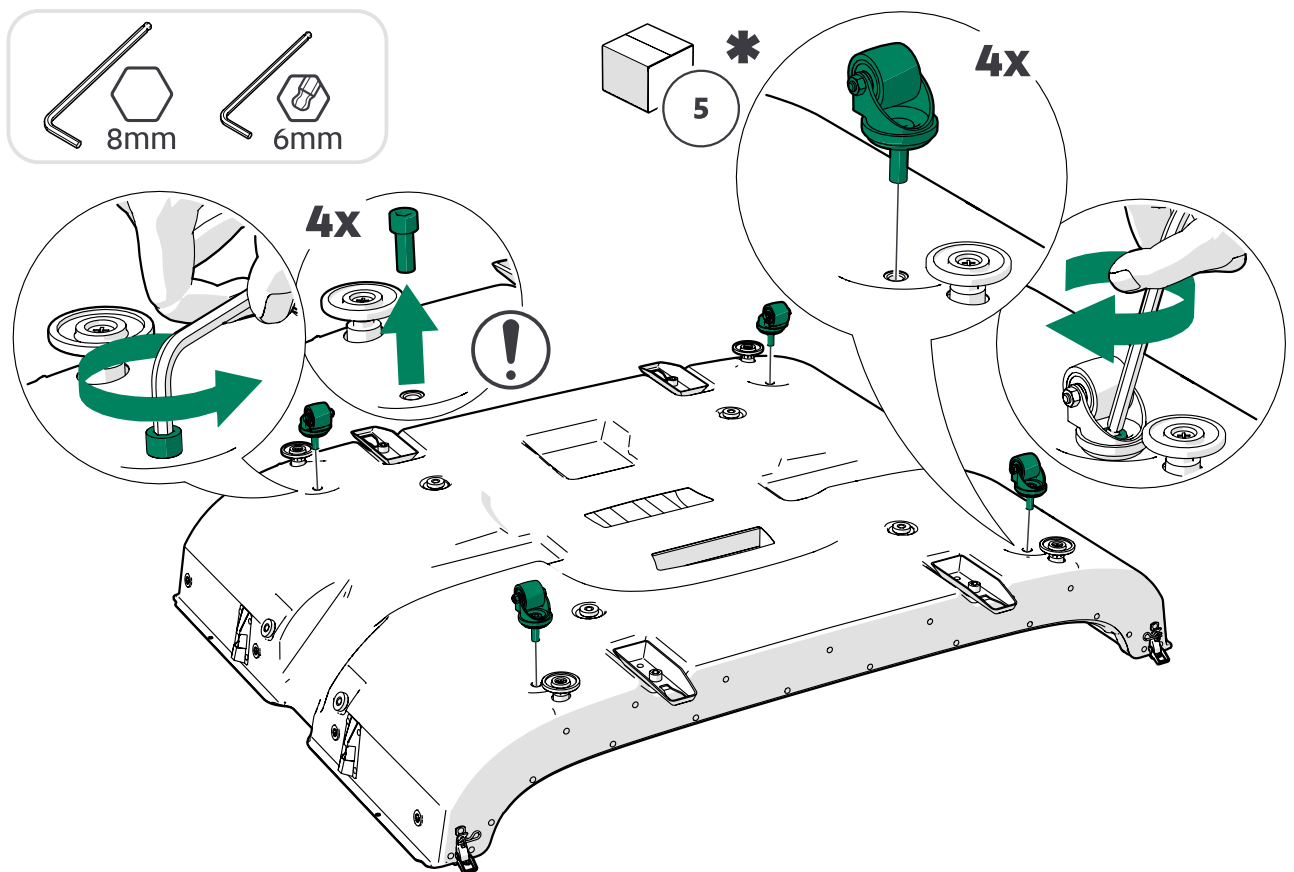


5 Install the leveling feet and casters (optional)

1.

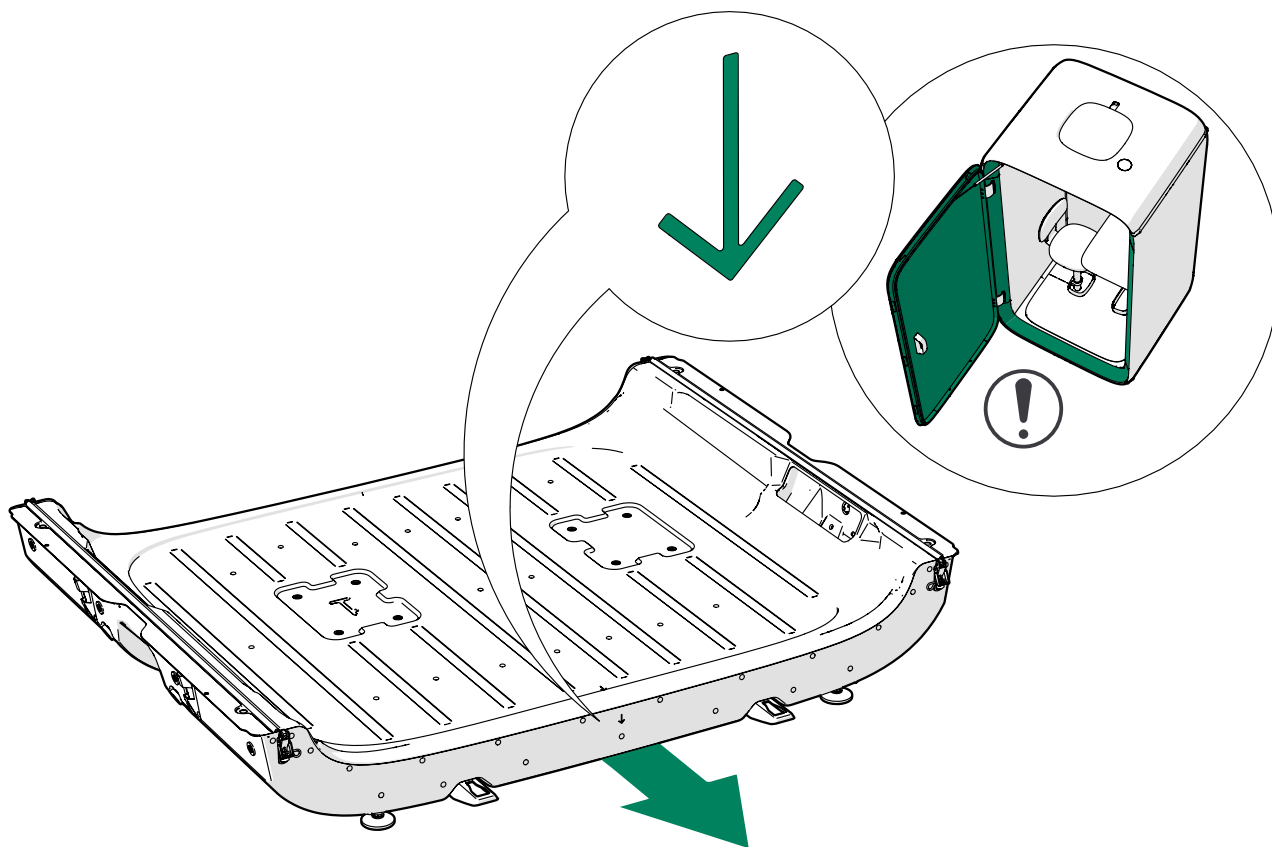


2.



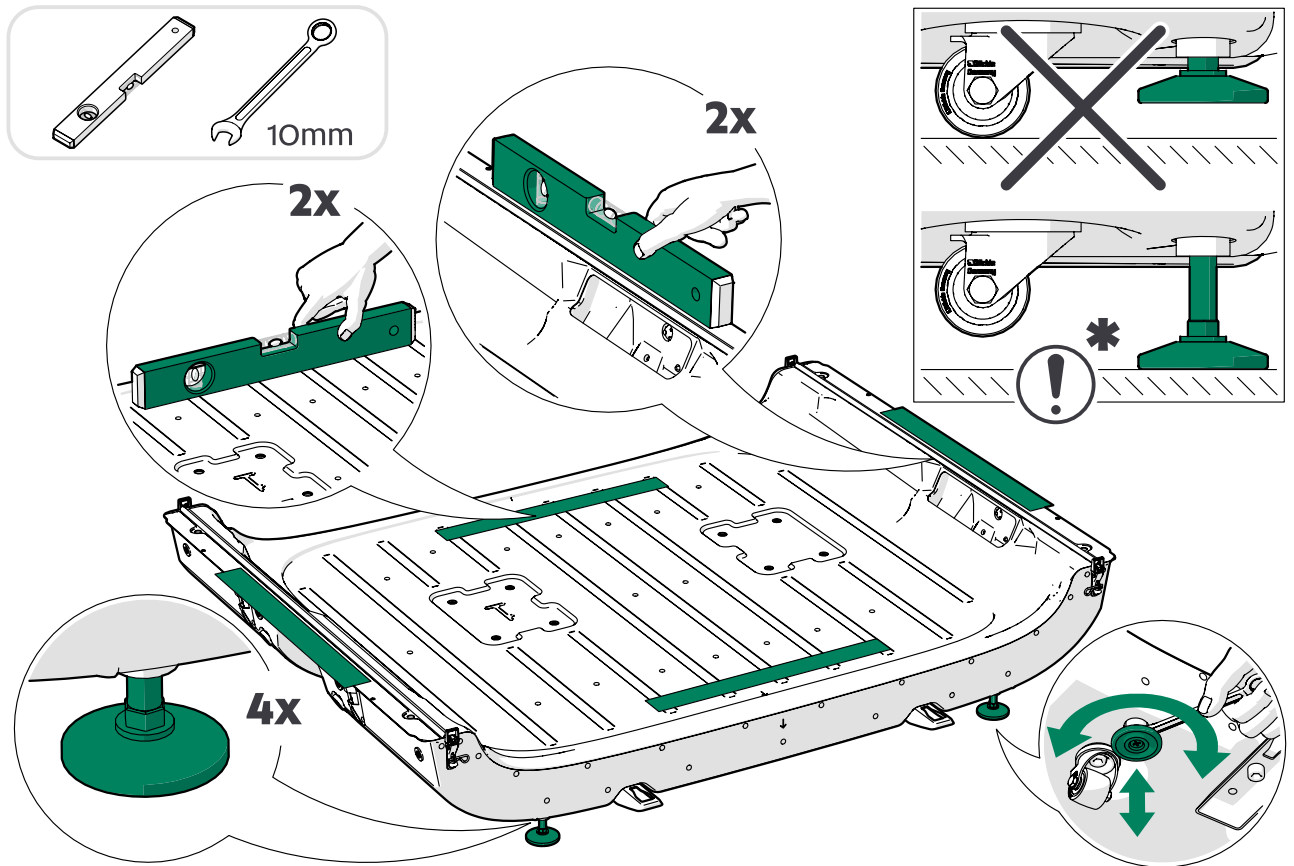
⚠ **Note:** The casters are optional.

6 Lay the floor down at the intended installation site

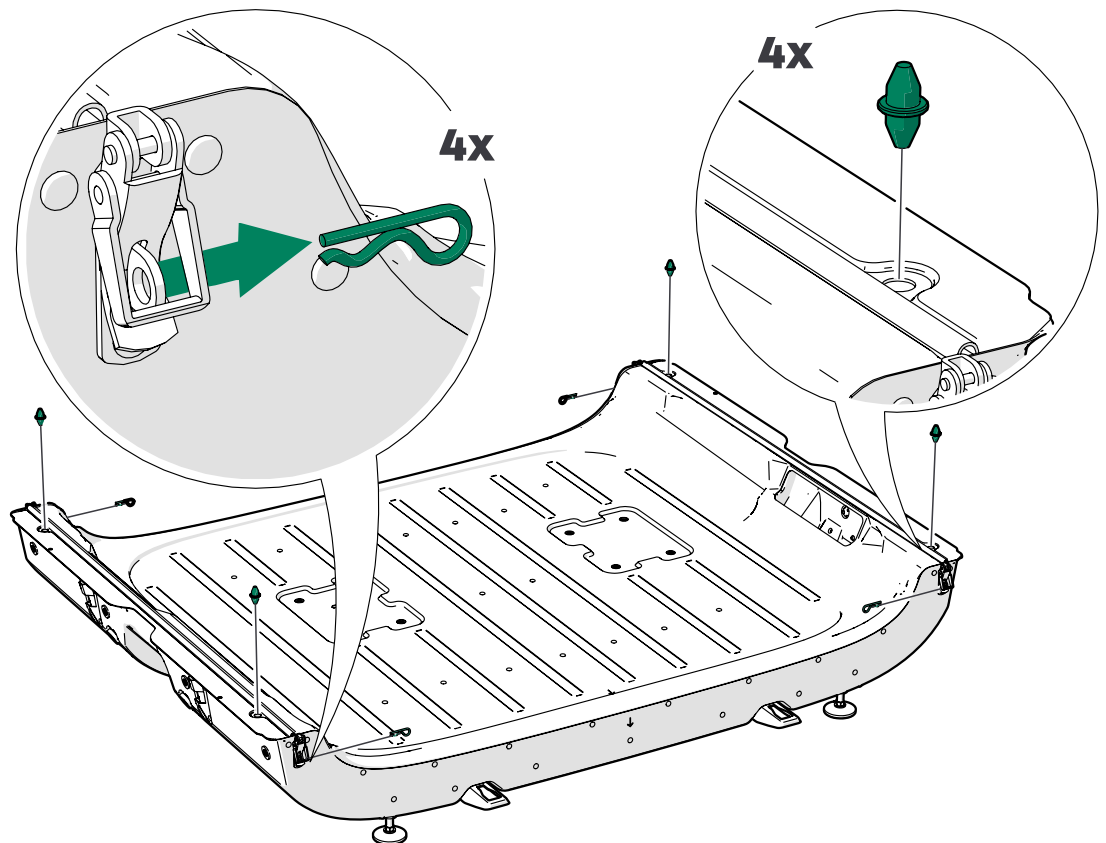


7 Level the floor

1.

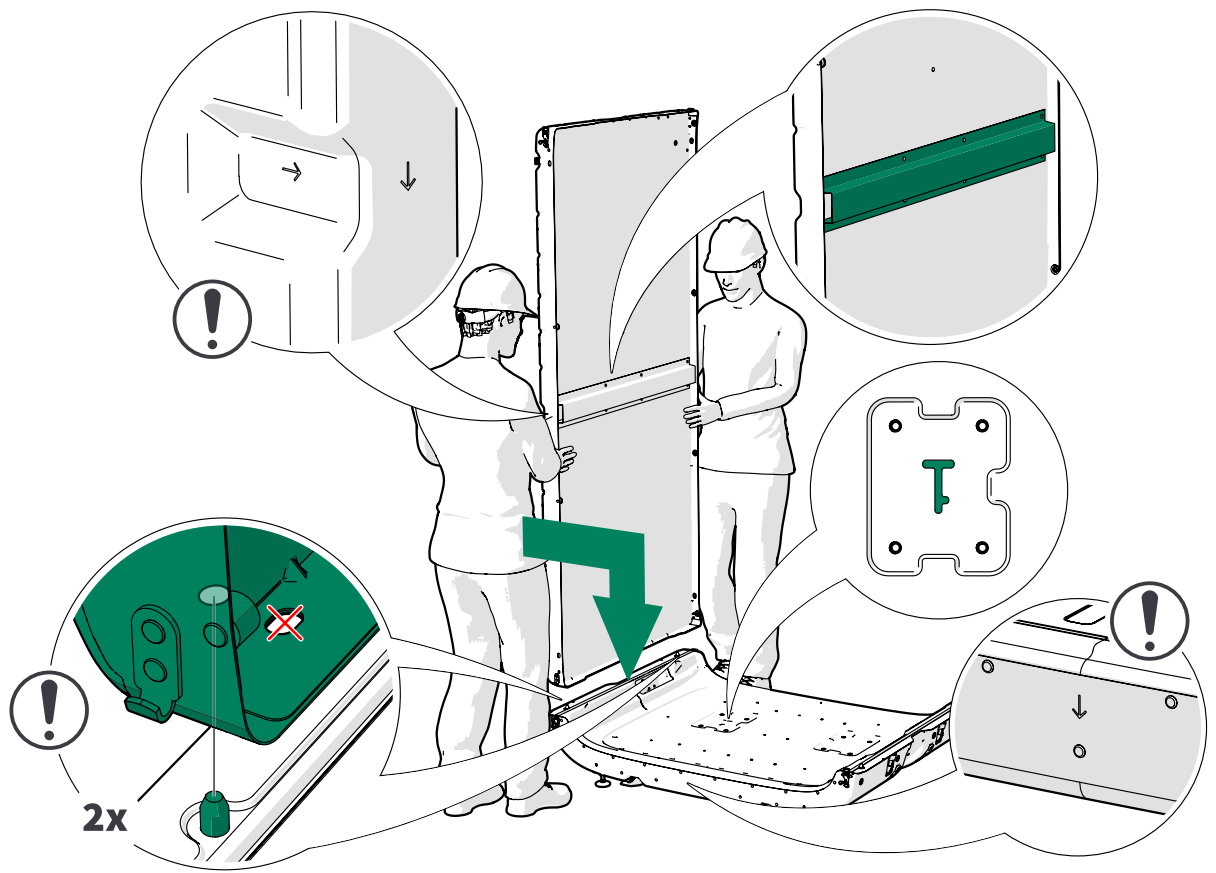


2.

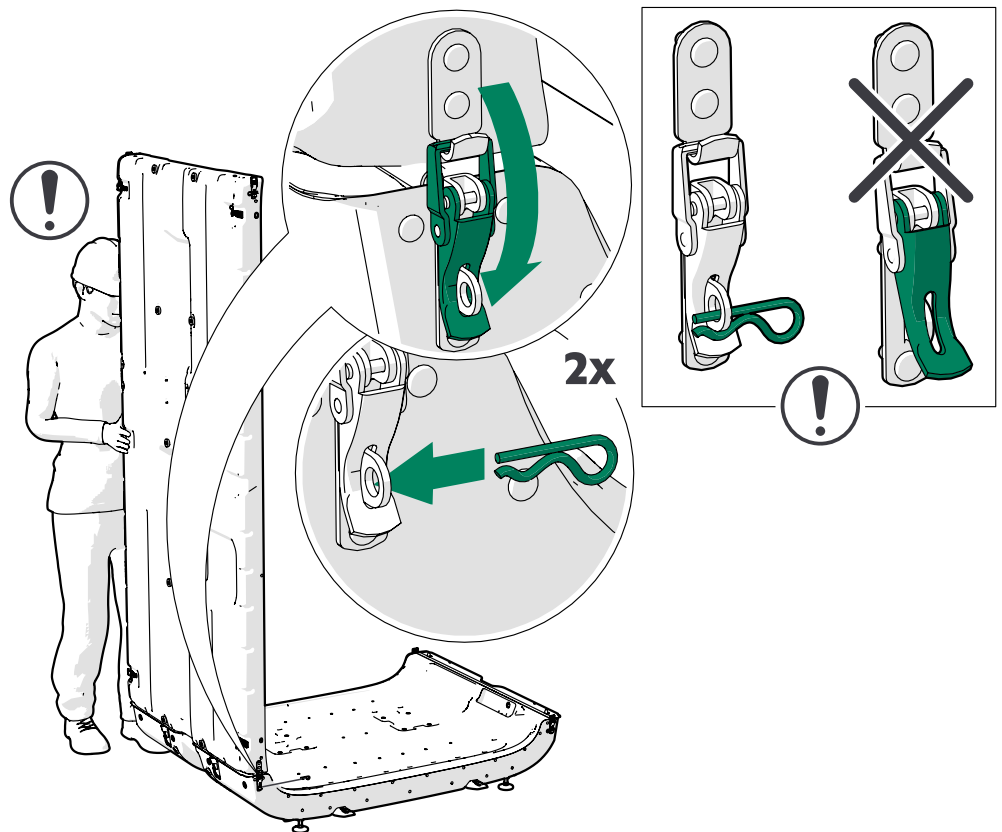


8 Install the walls

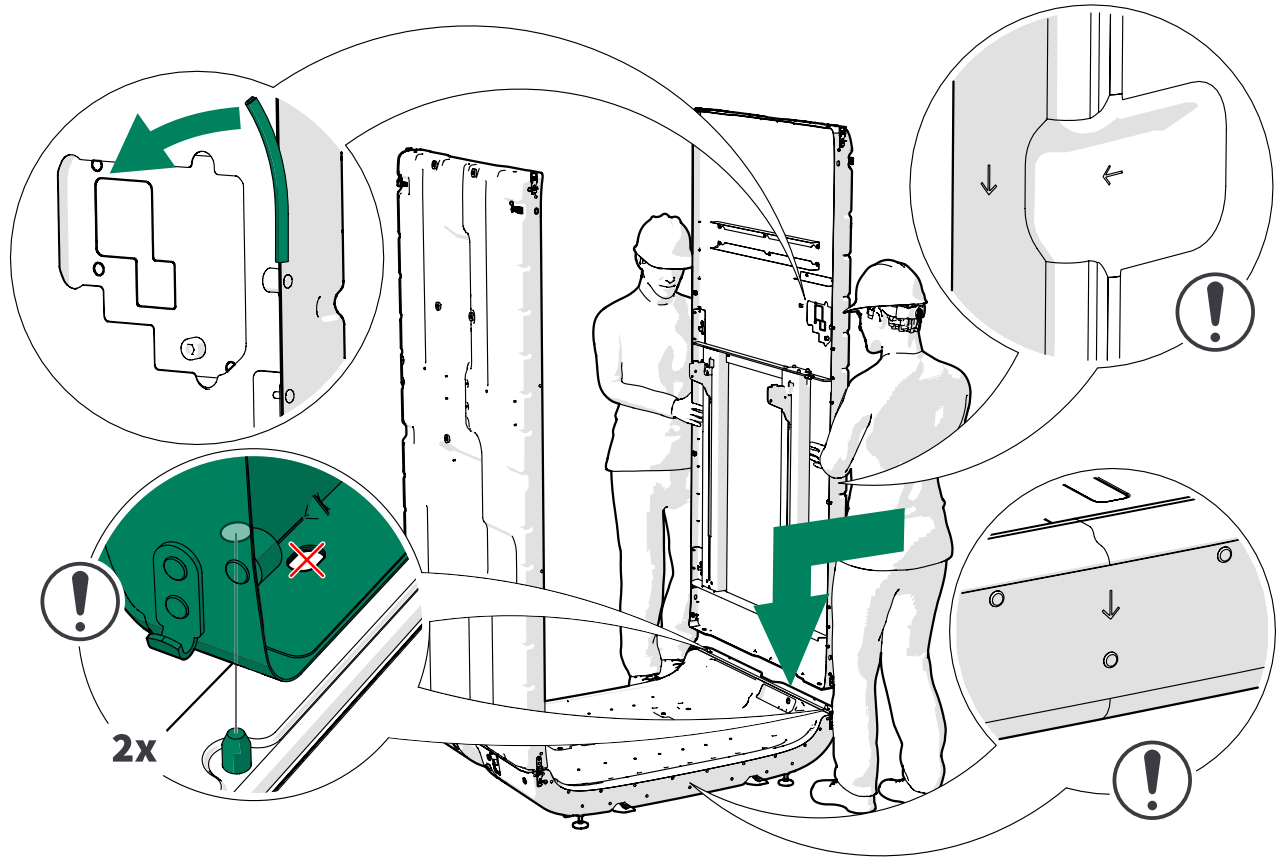
1.



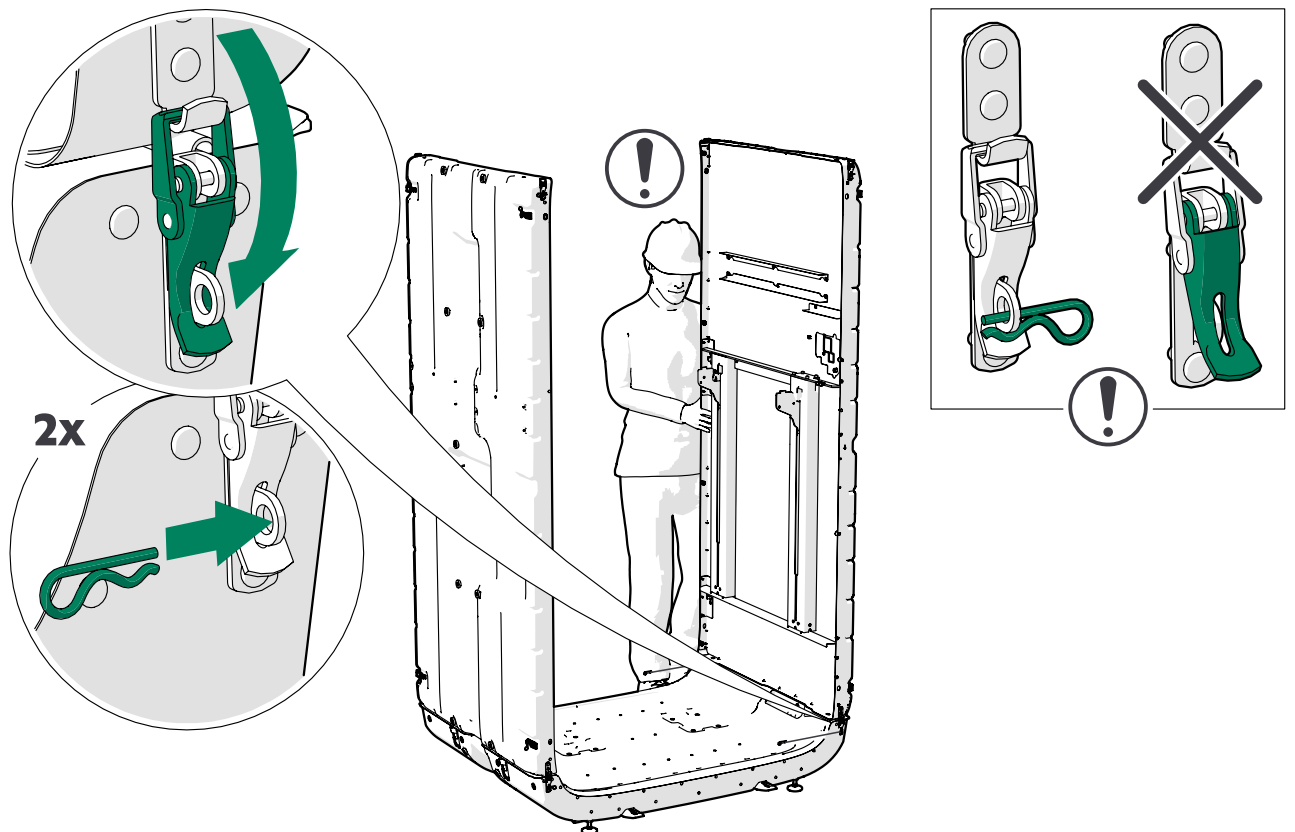
2.



3.

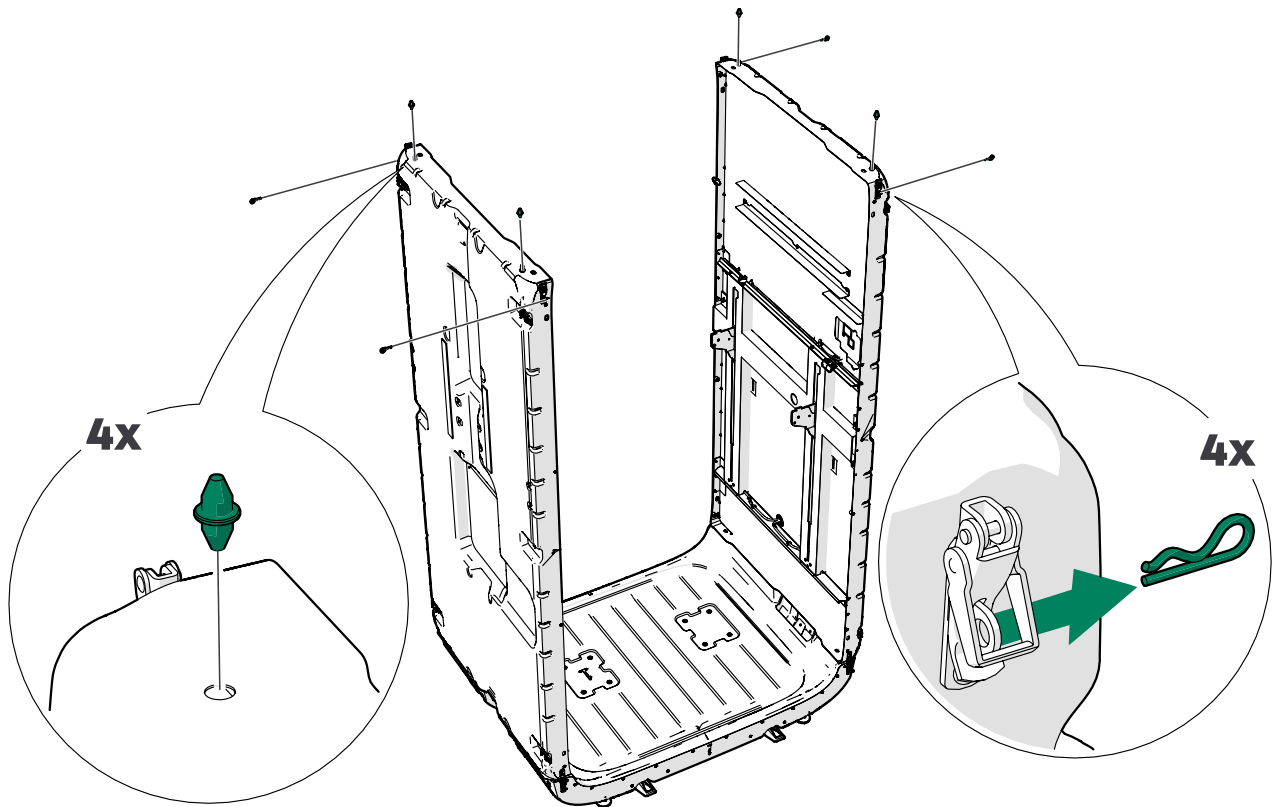


4.

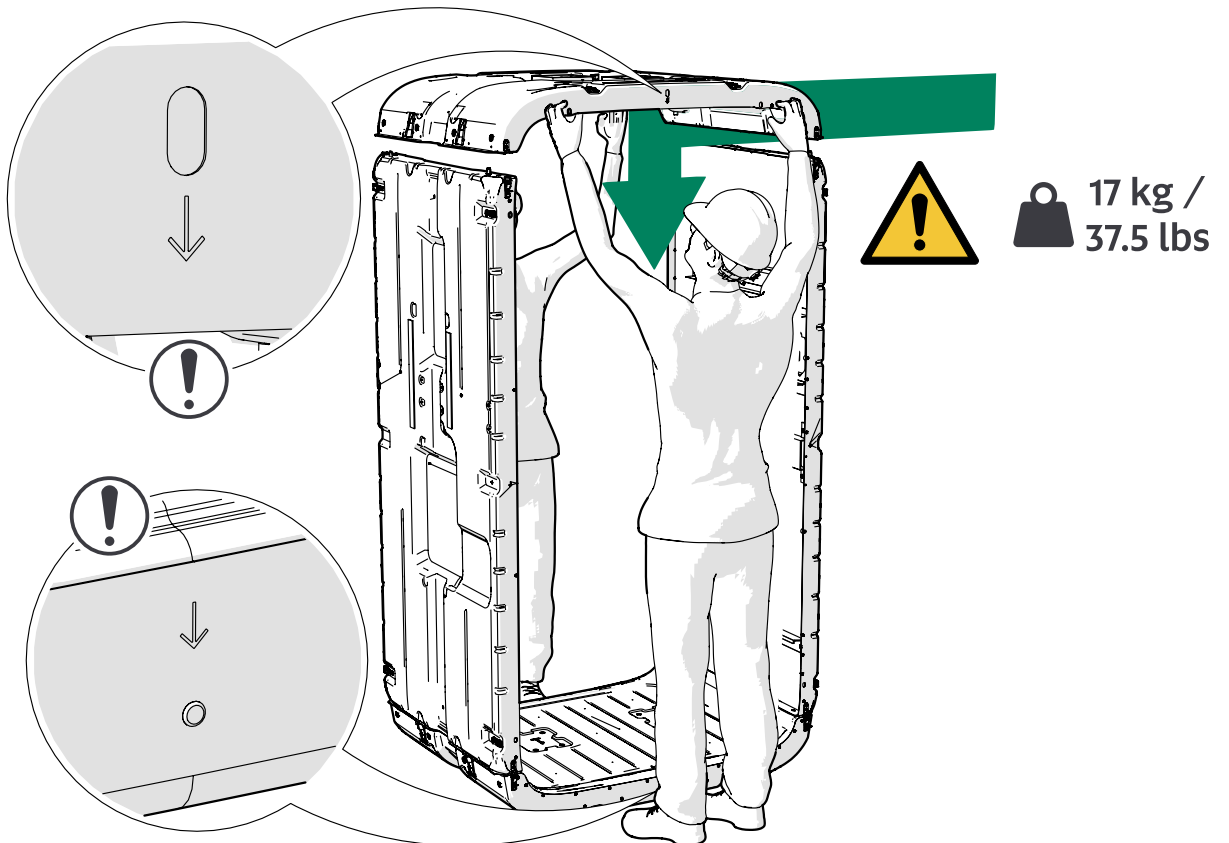


9 Install the roof

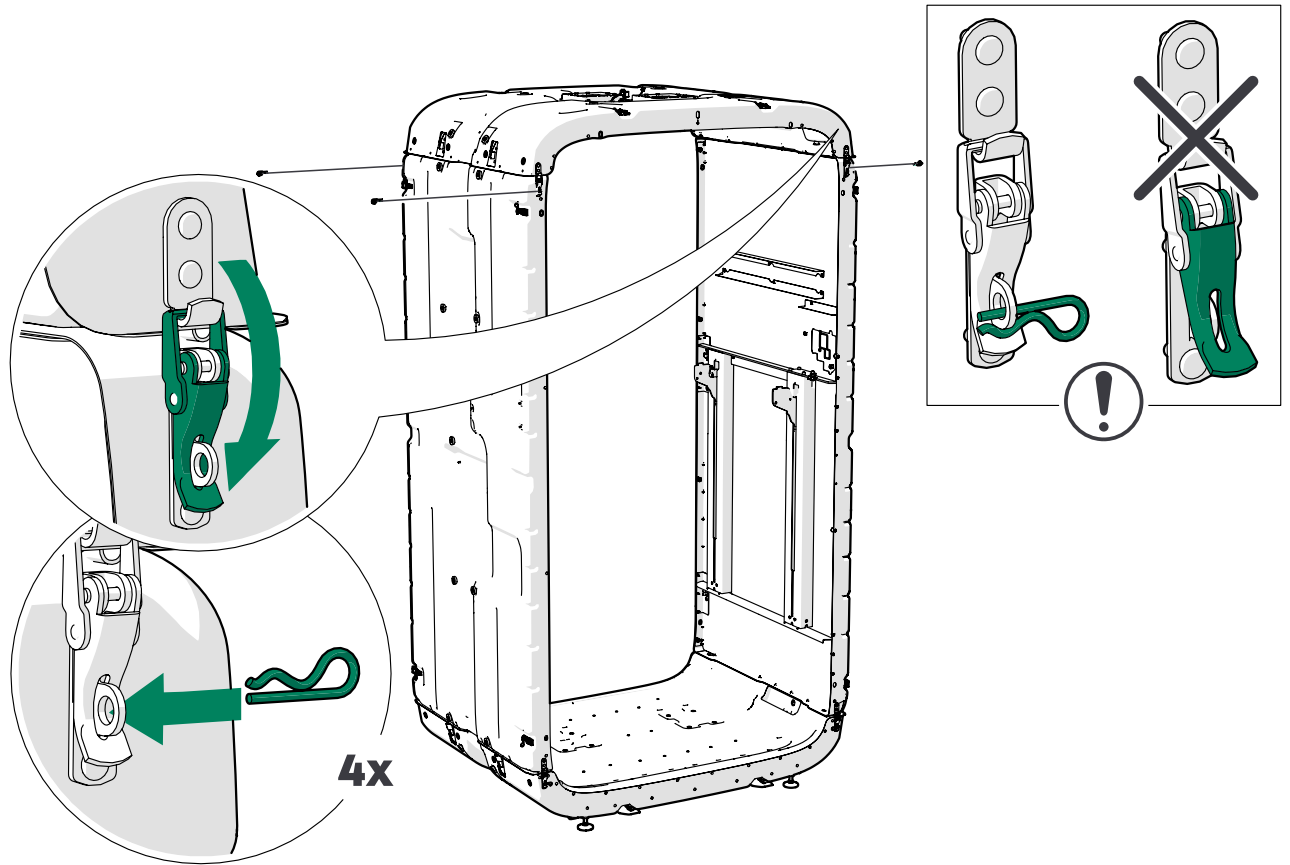
1.



2.



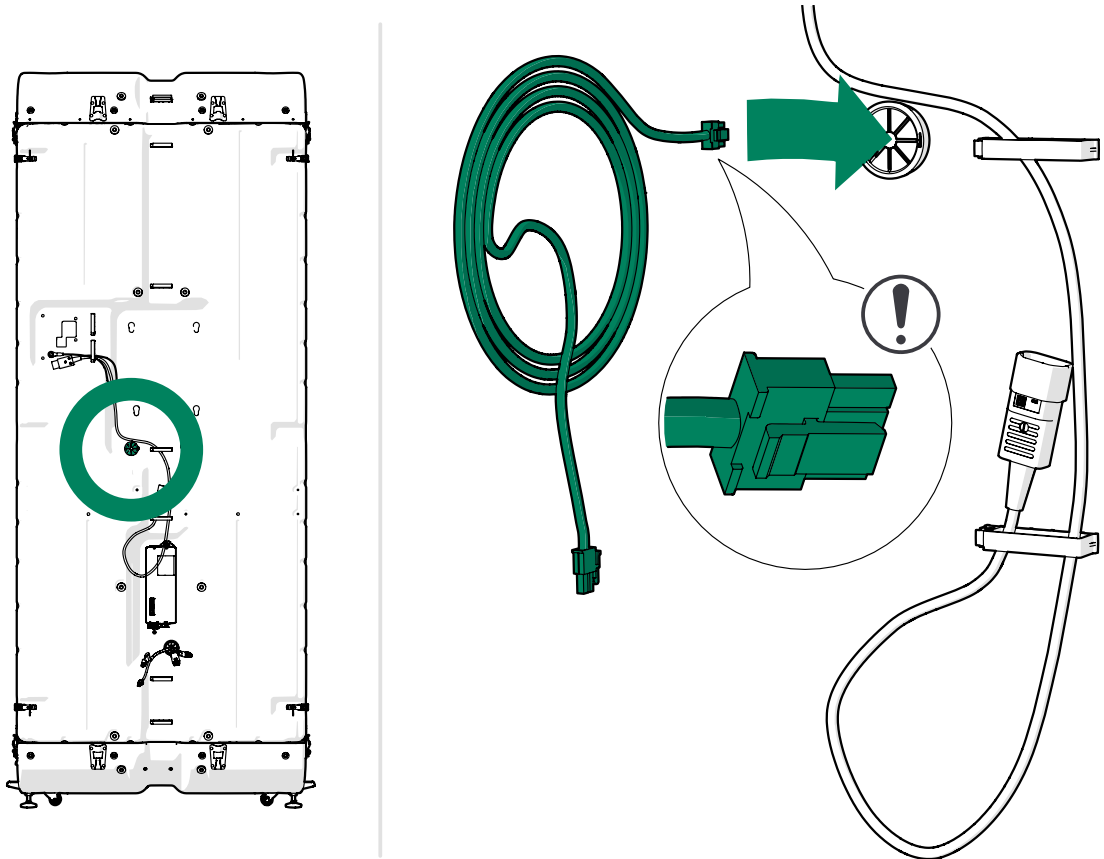
3.



10 Install the interior

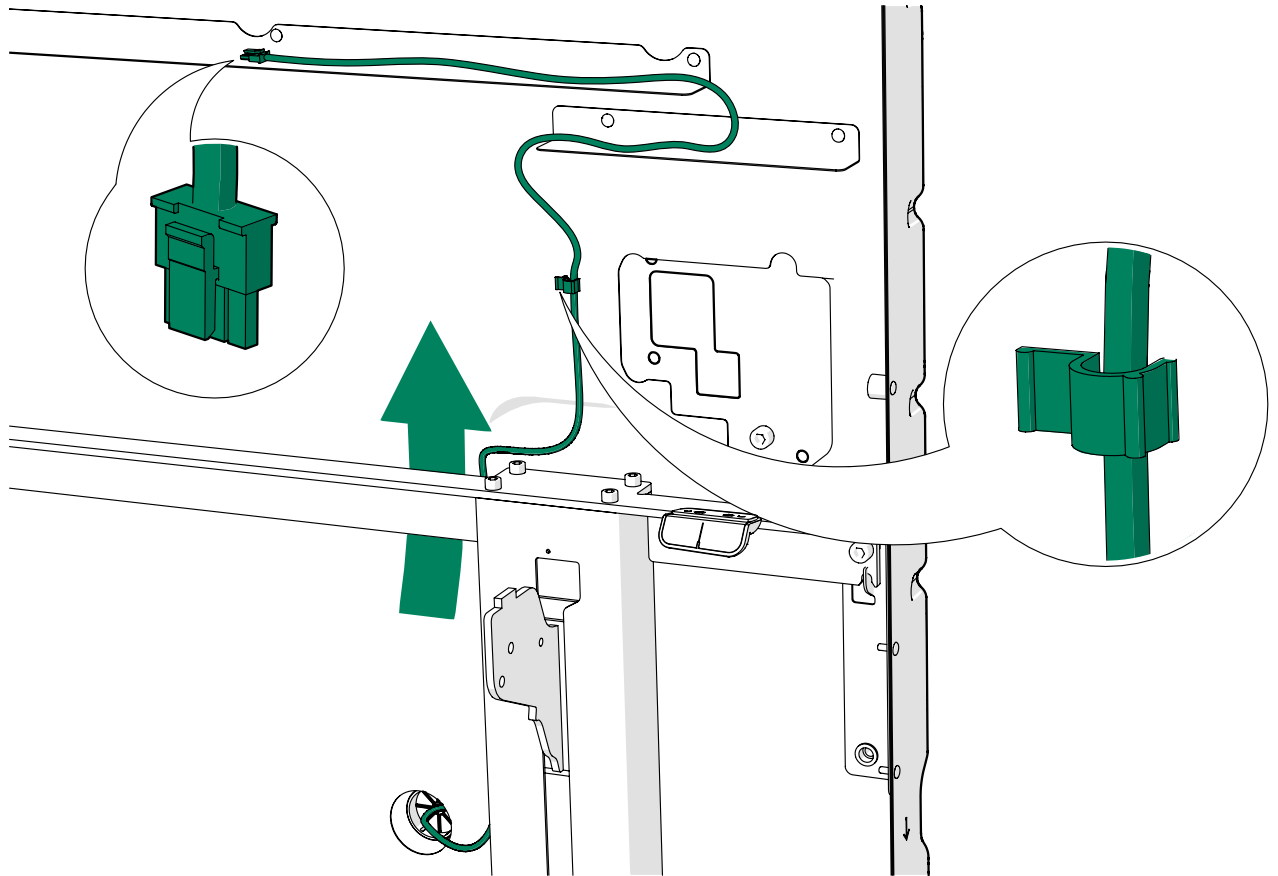
10.1 Install the VCR light cord and coat hook bracket

1.

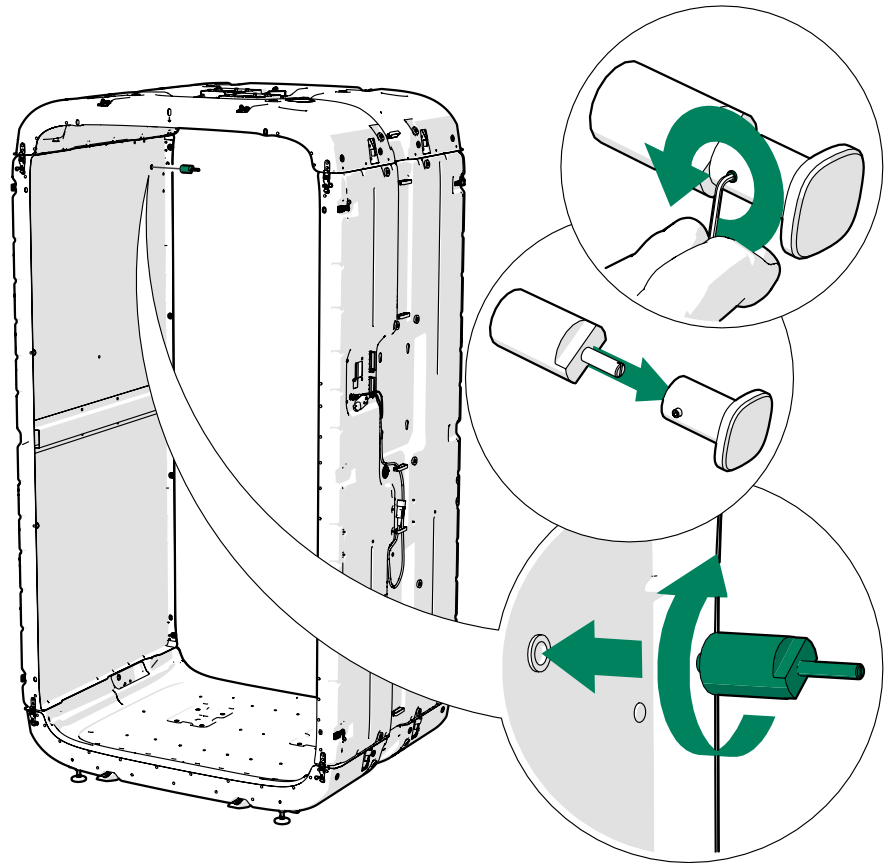


Framery One

2.

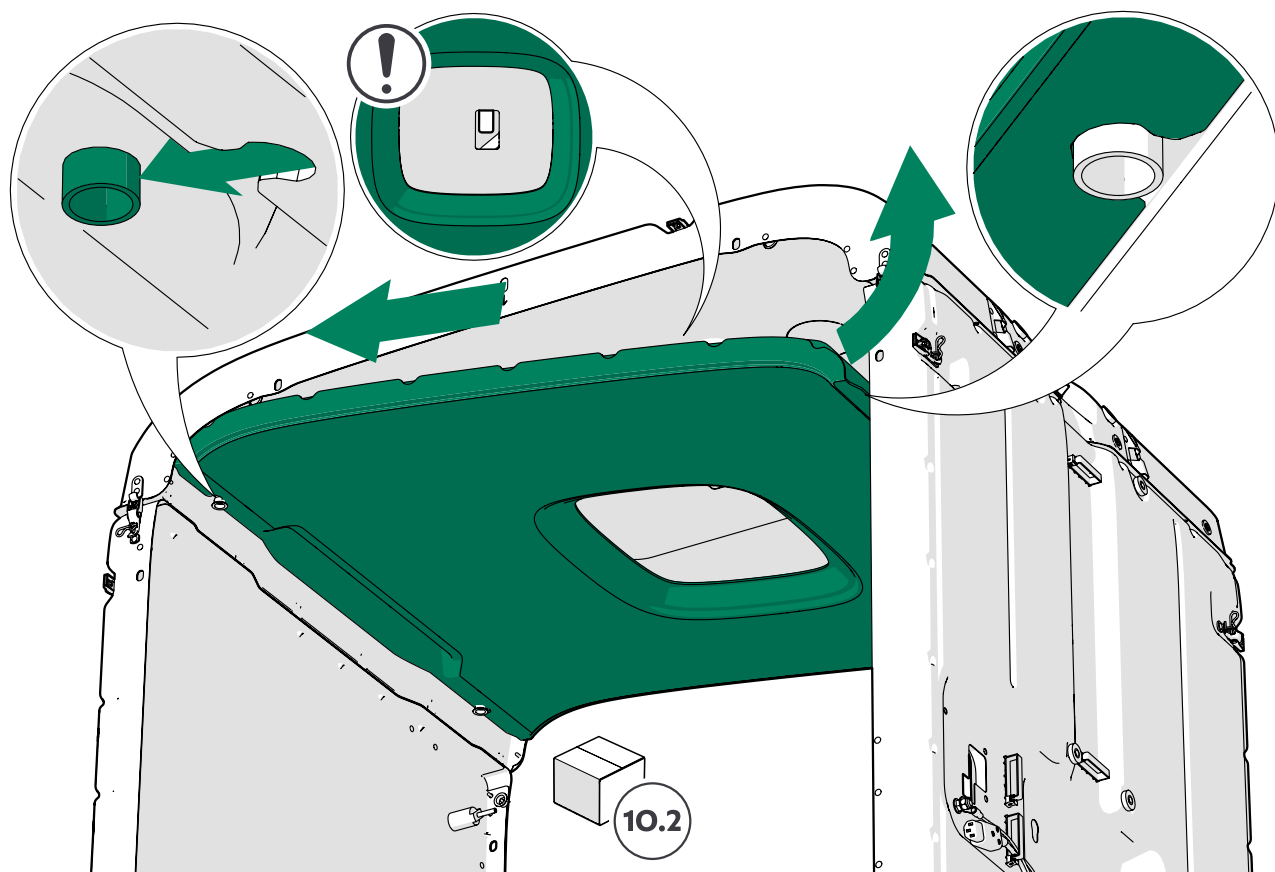


3.

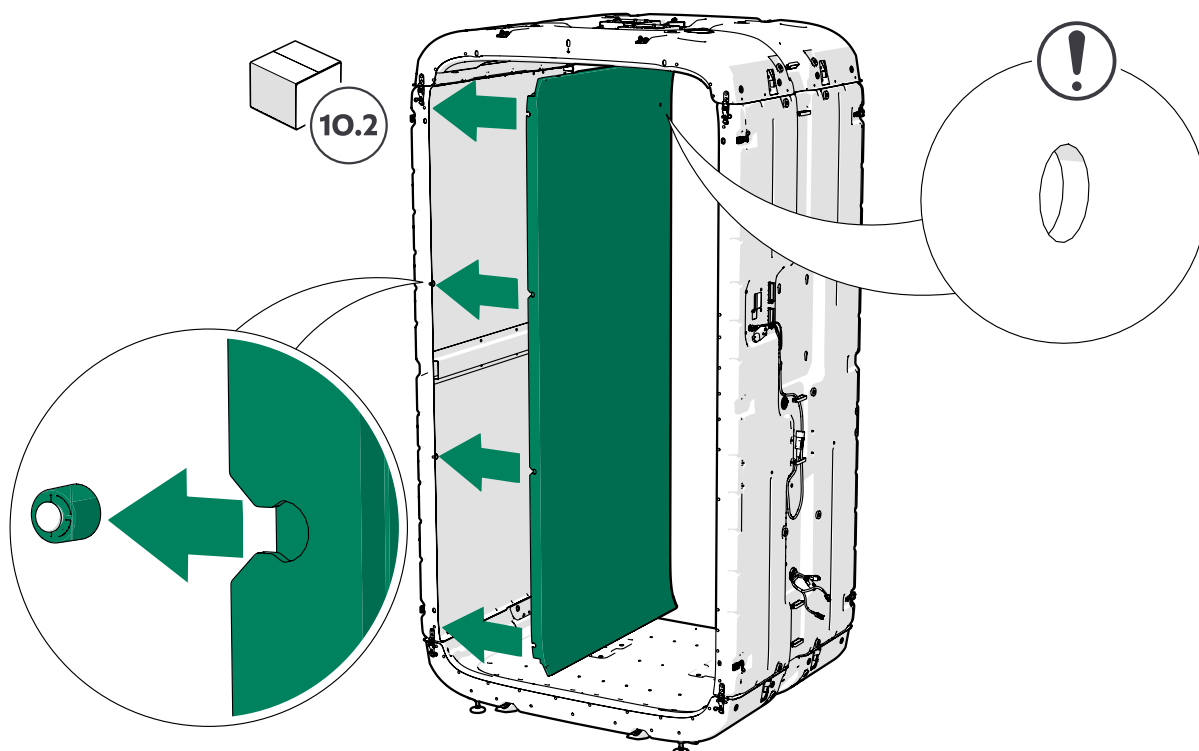


10.2 Install the panels and coat hook

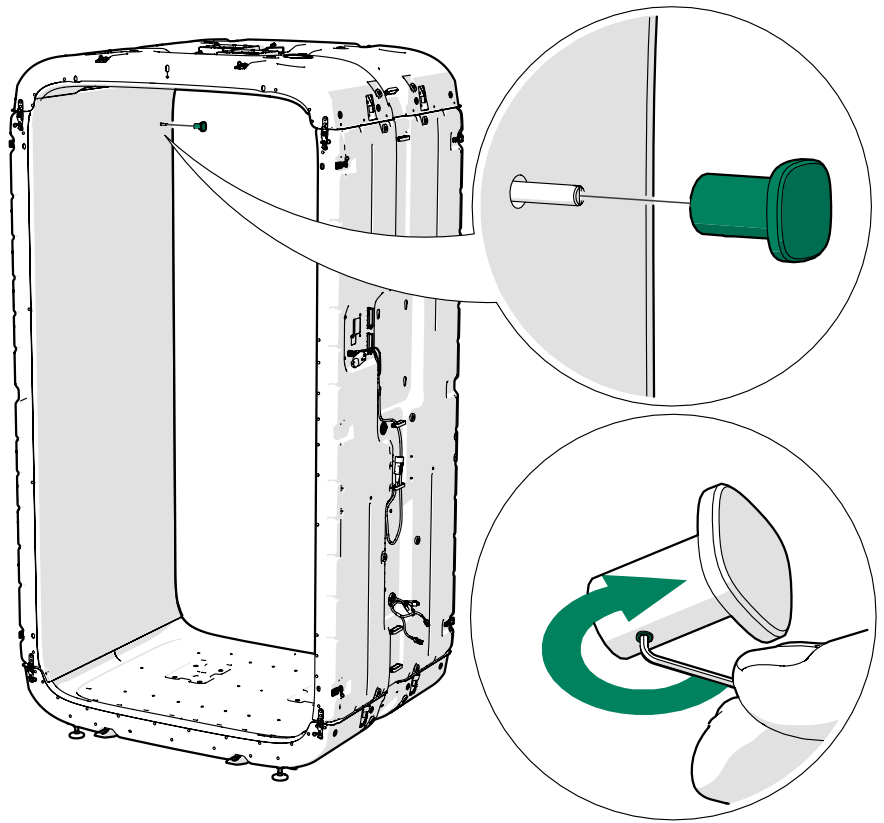
1.



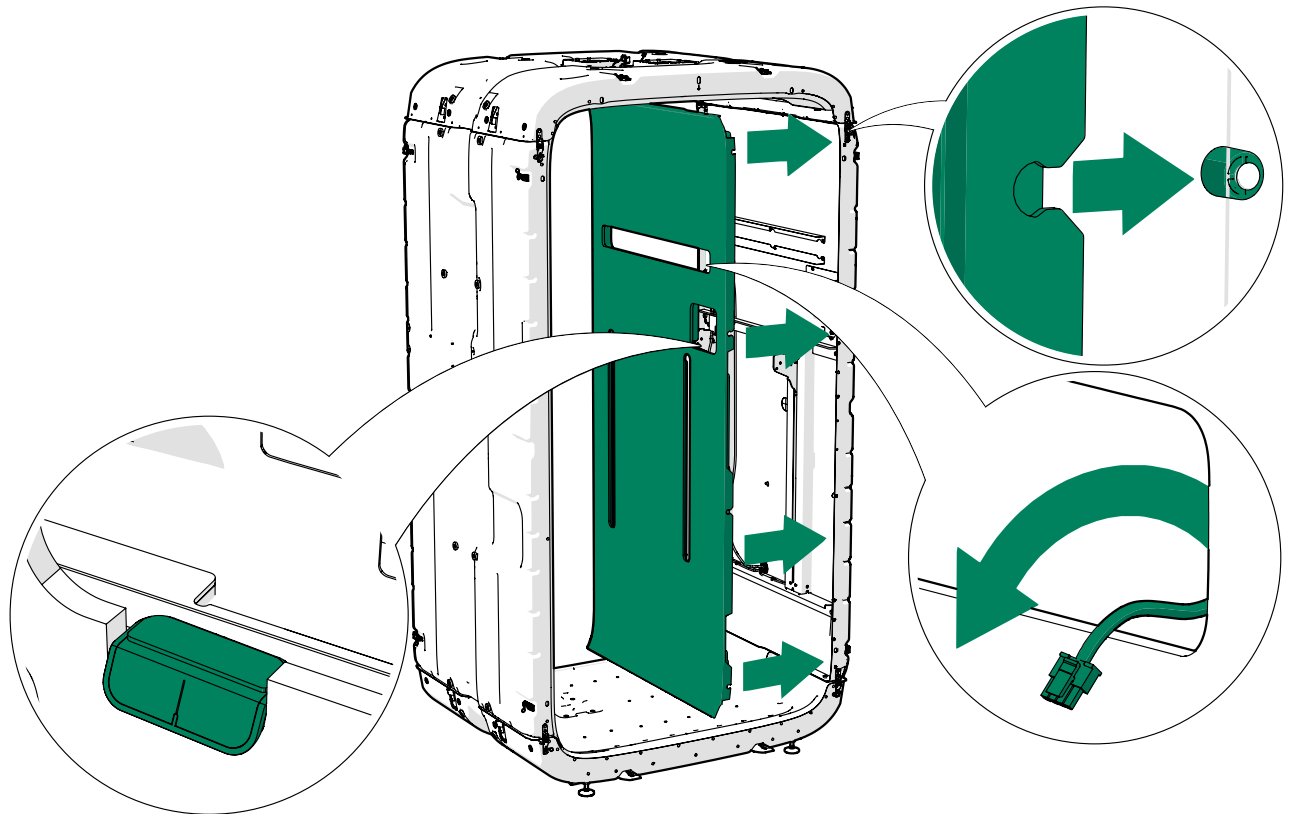
2.



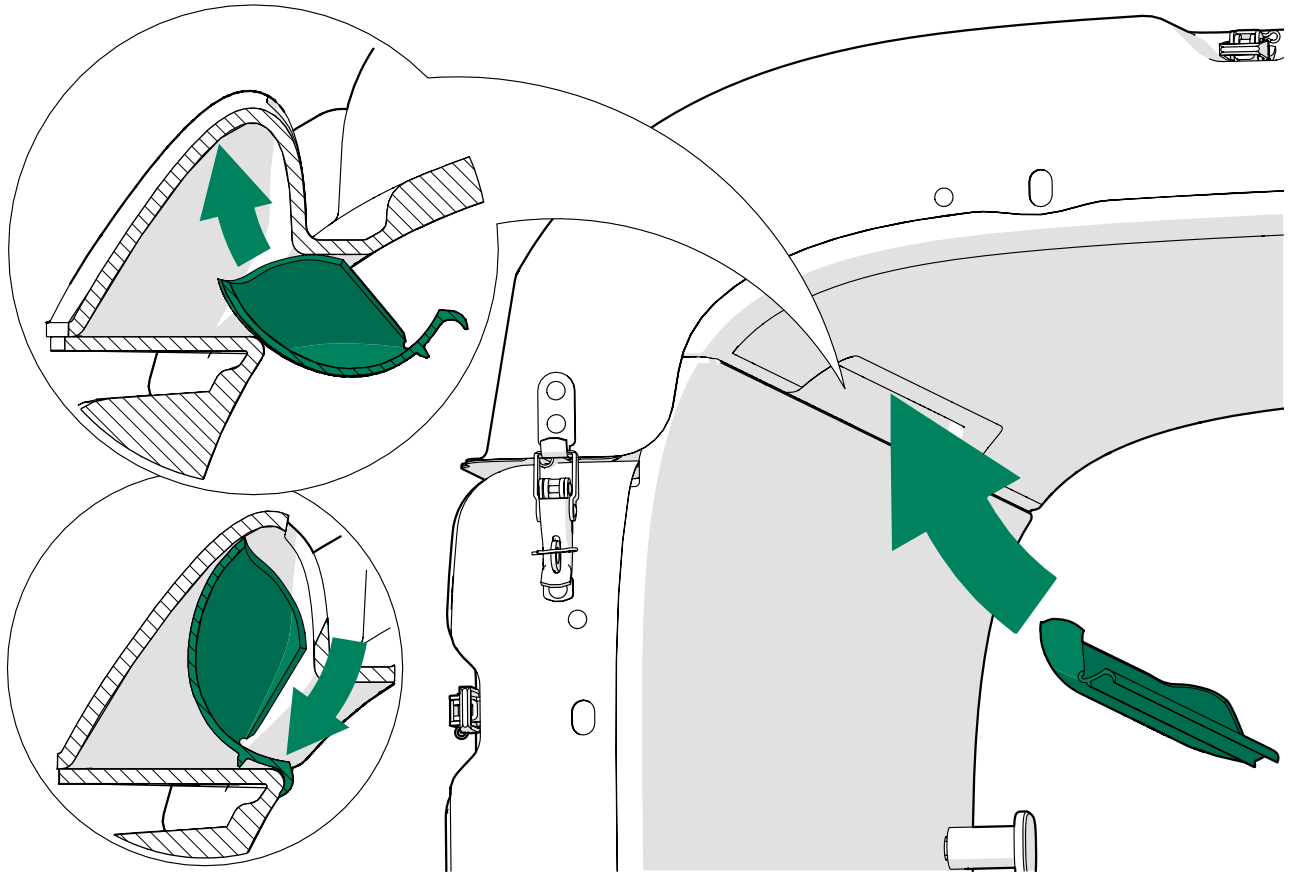
3.



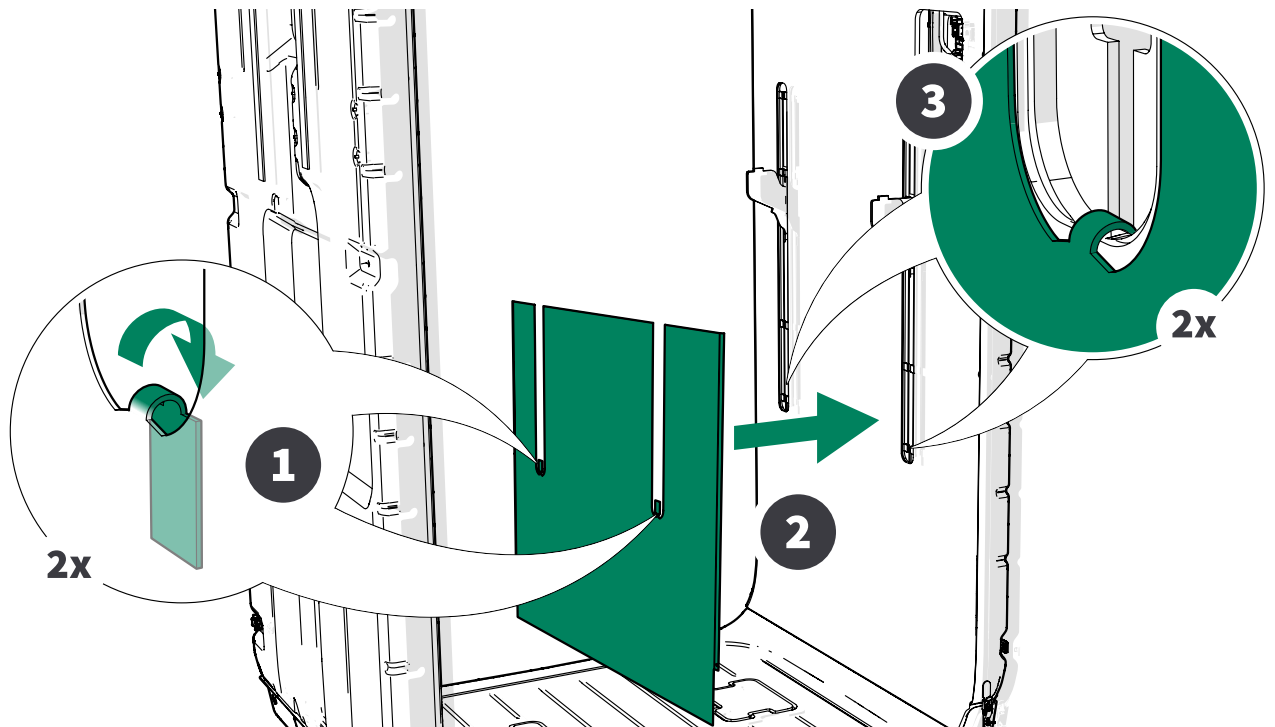
4.



5.

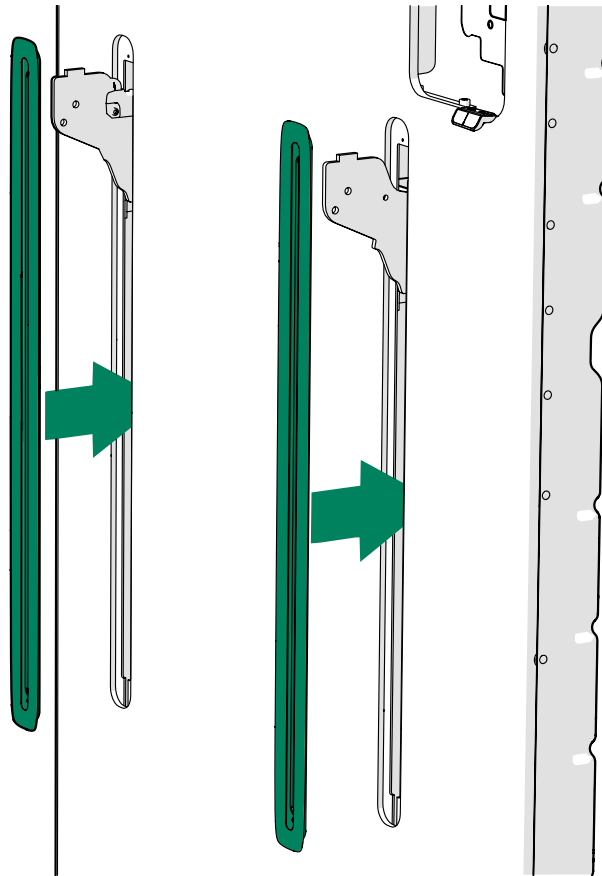


6.



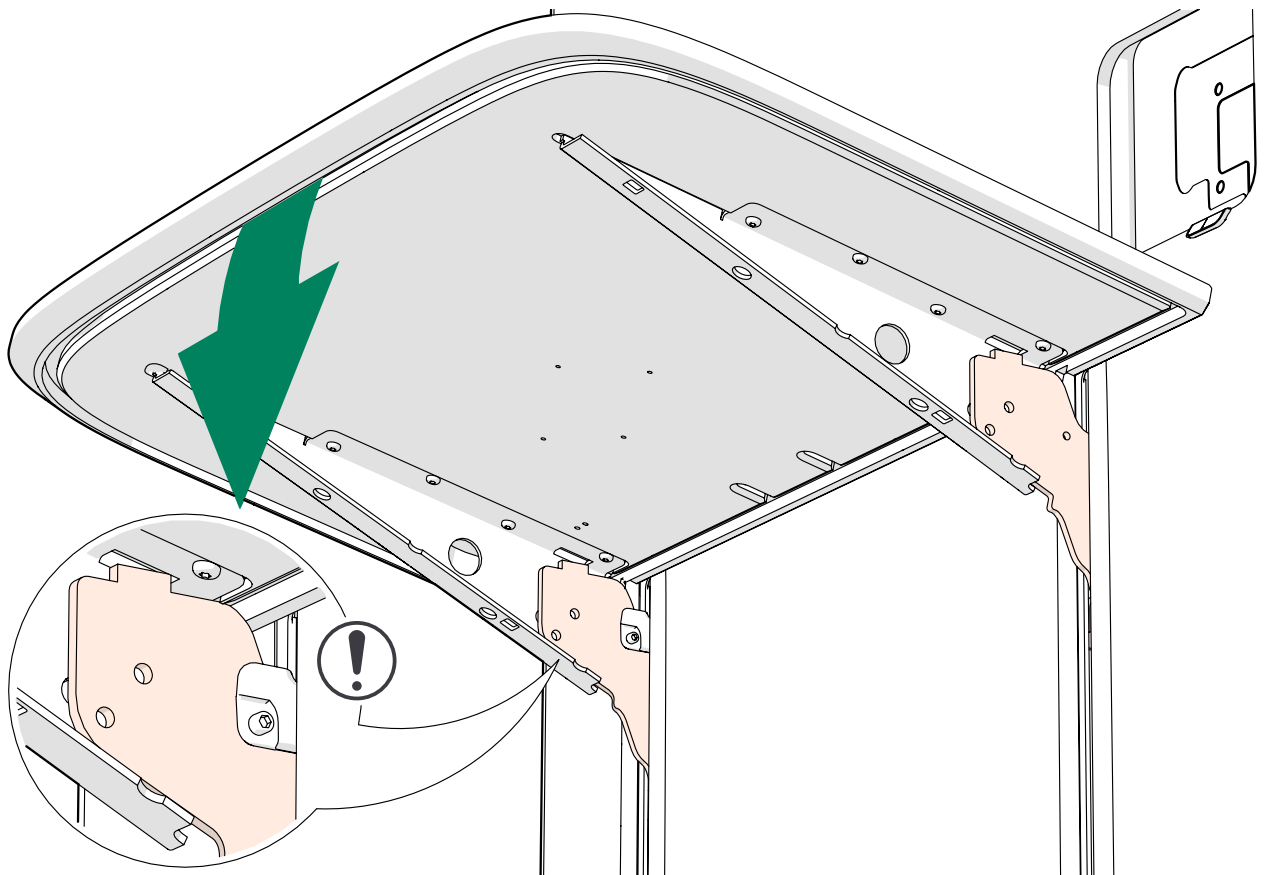
Note: The kickplate is an option.

7.

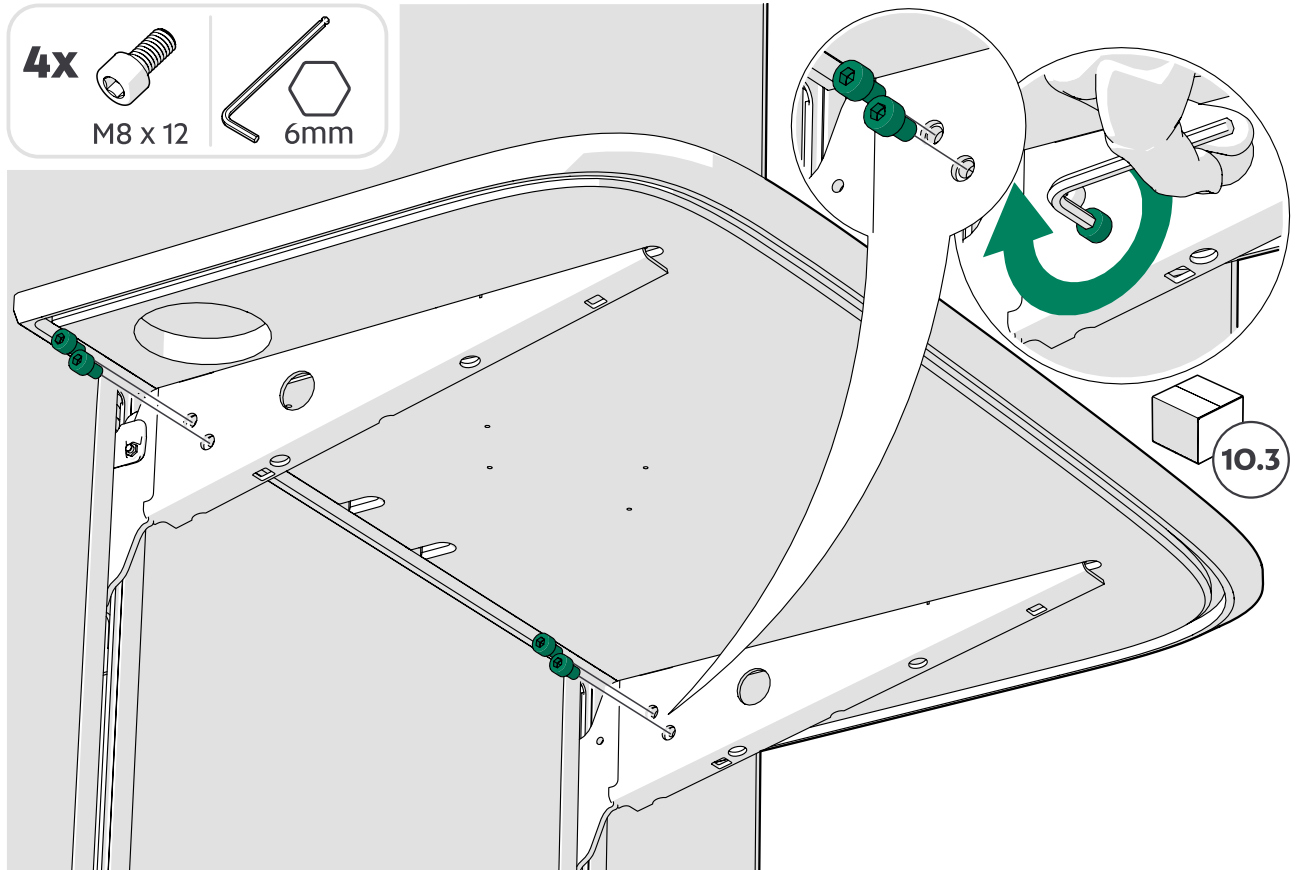


10.3 Install the table

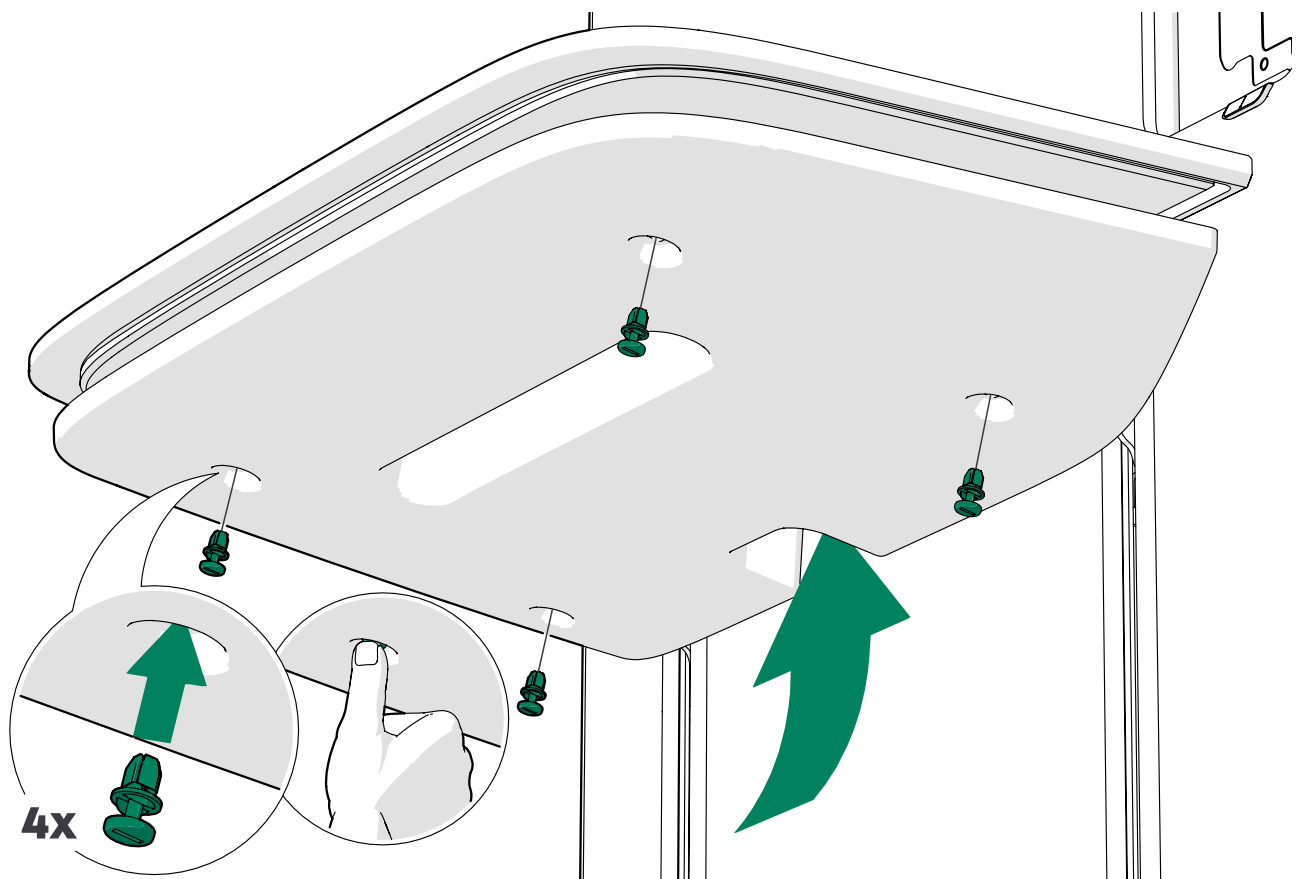
1.



2.

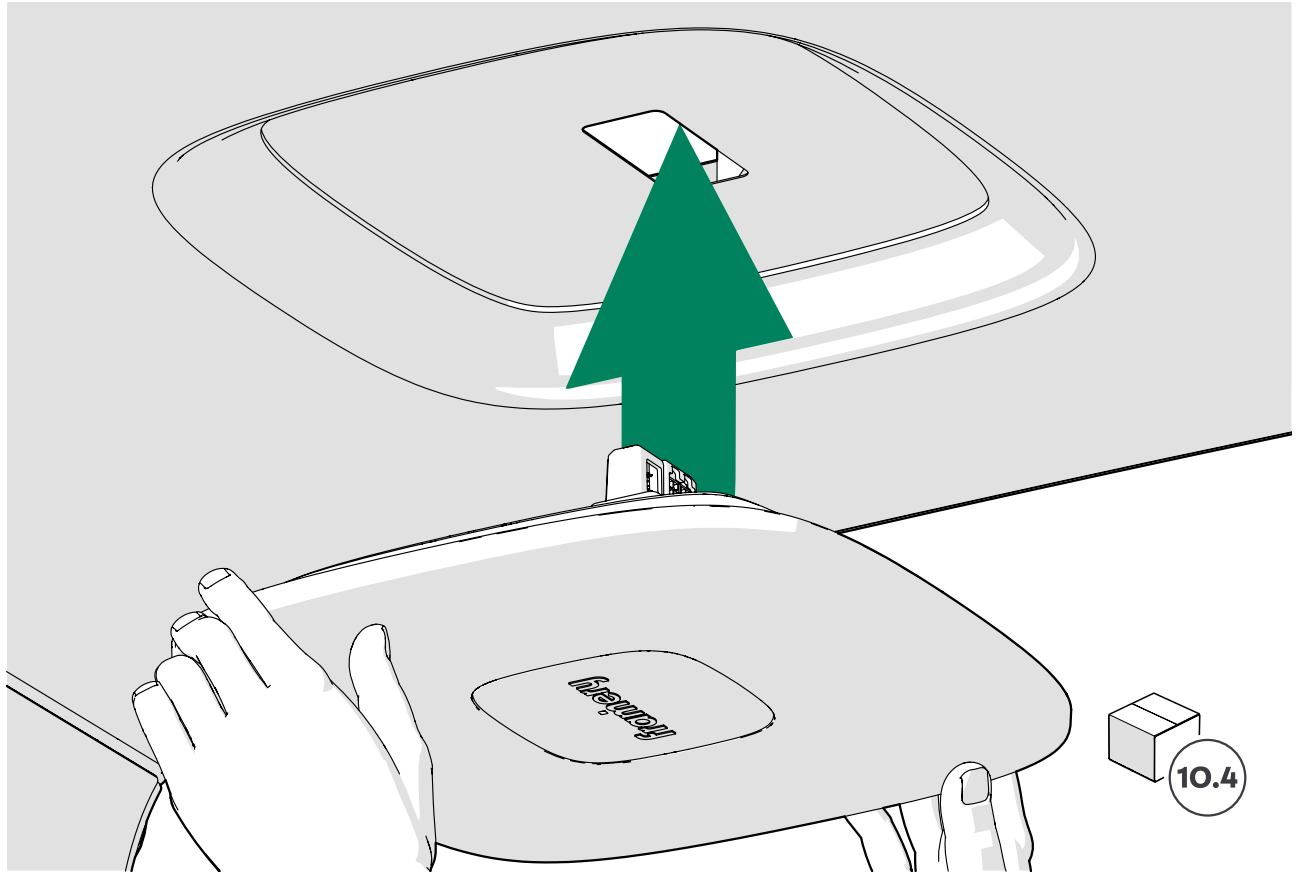


3.

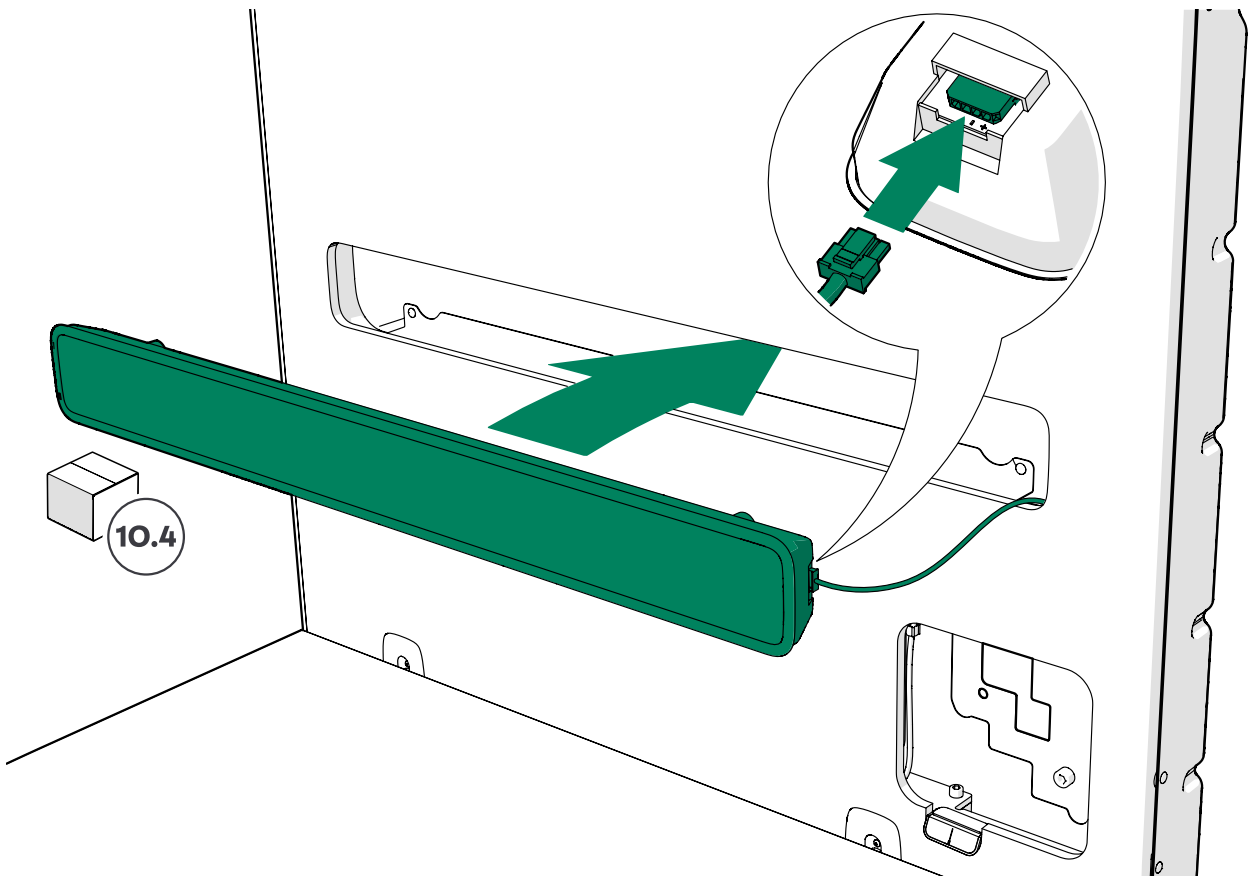


10.4 Install the lights

1.



2.



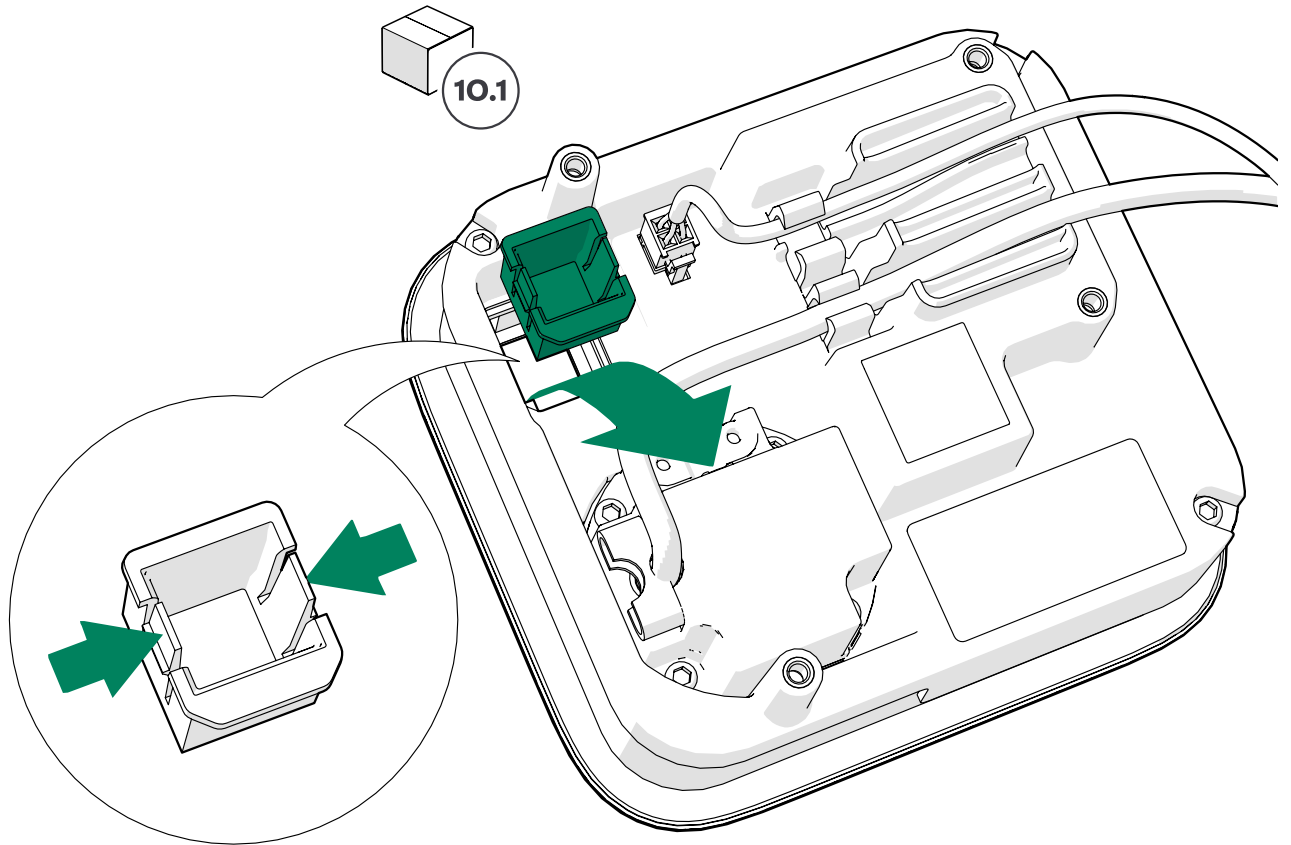
10.5 Install the control panel

10.5.1 Install the control panel (with optional LAN)

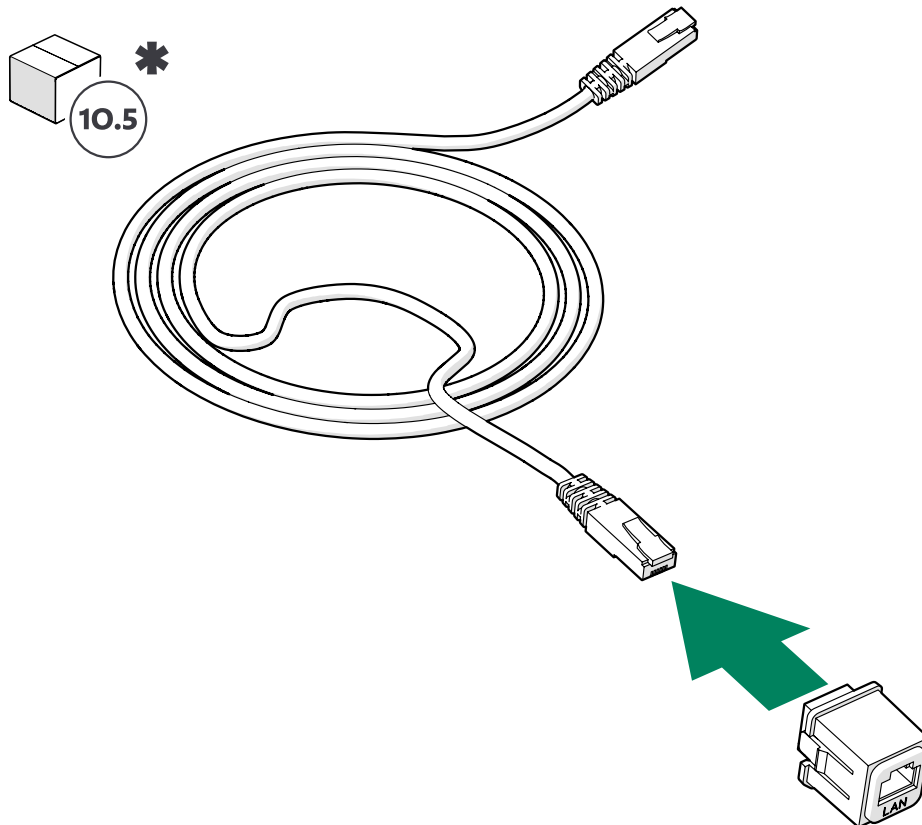
If the delivery includes the optional LAN cord, follow the instructions in this section.

If the delivery does NOT include the optional LAN cord, continue to section 10.5.2 "Install the control panel (without optional LAN)".

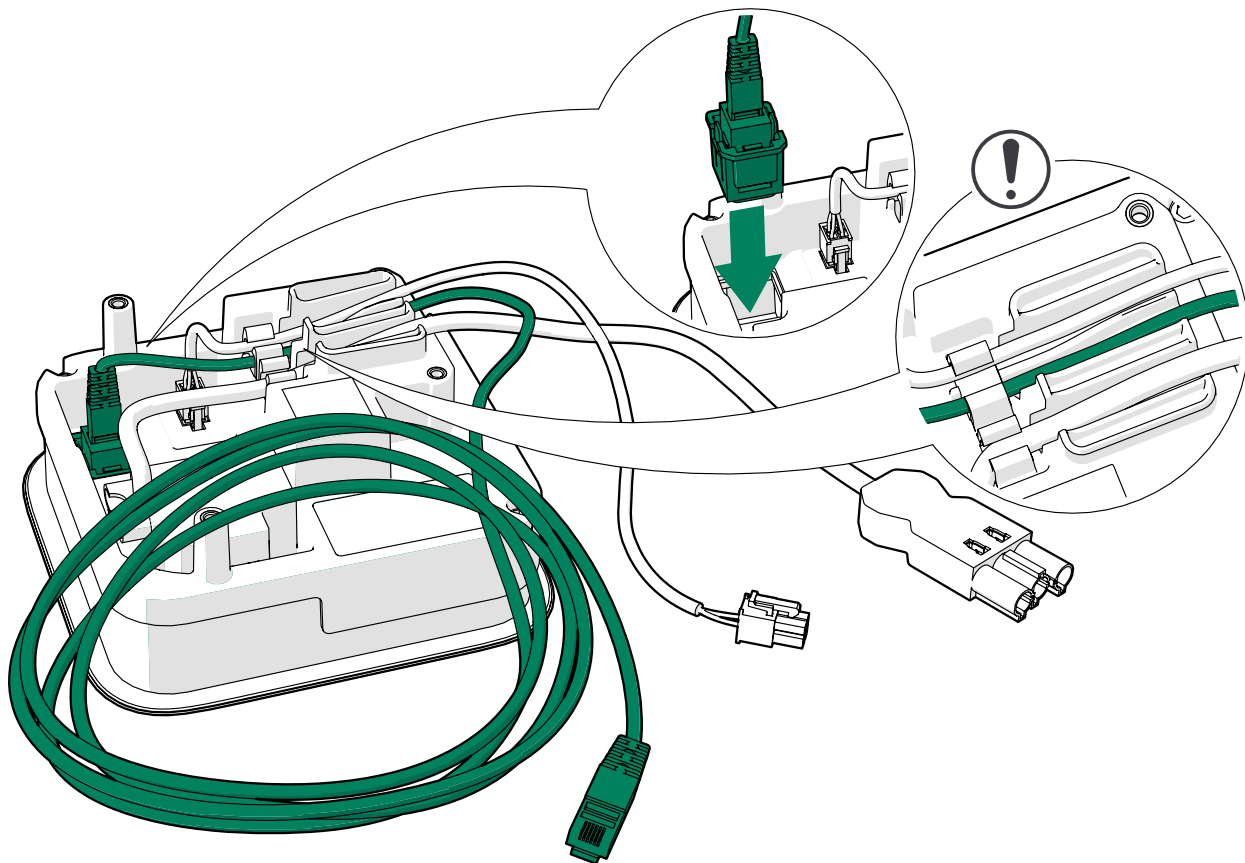
1.



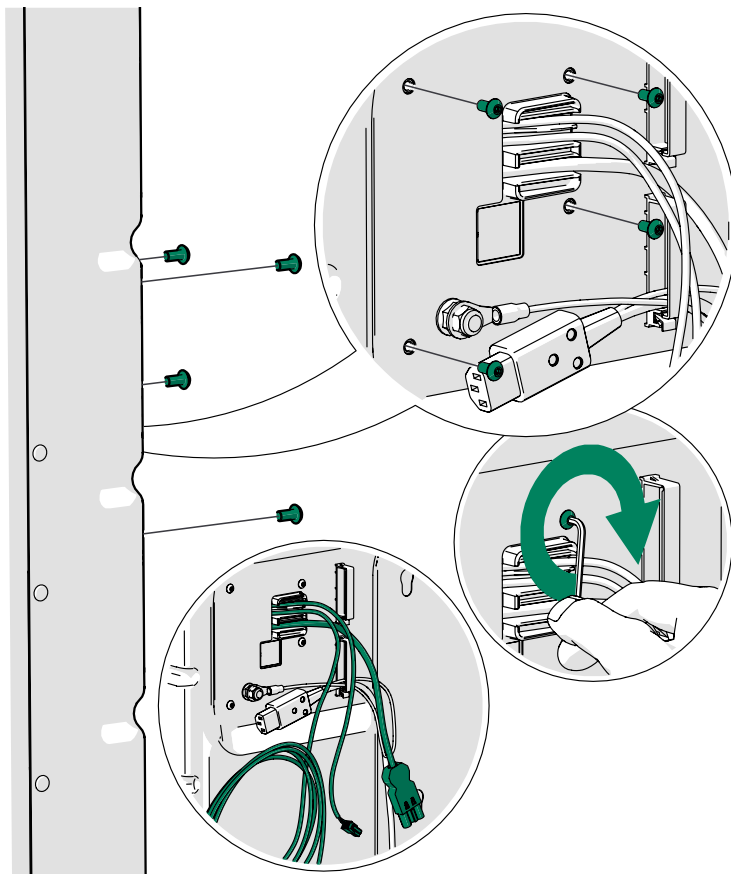
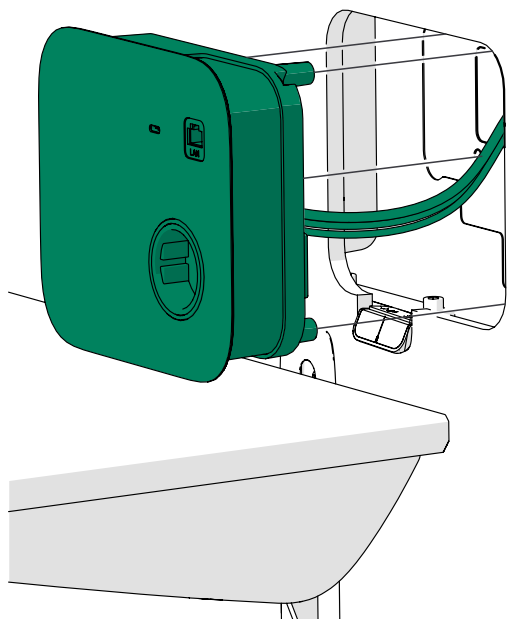
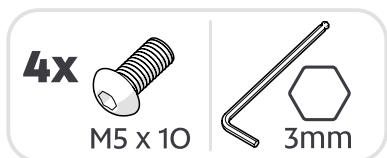
2.



3.



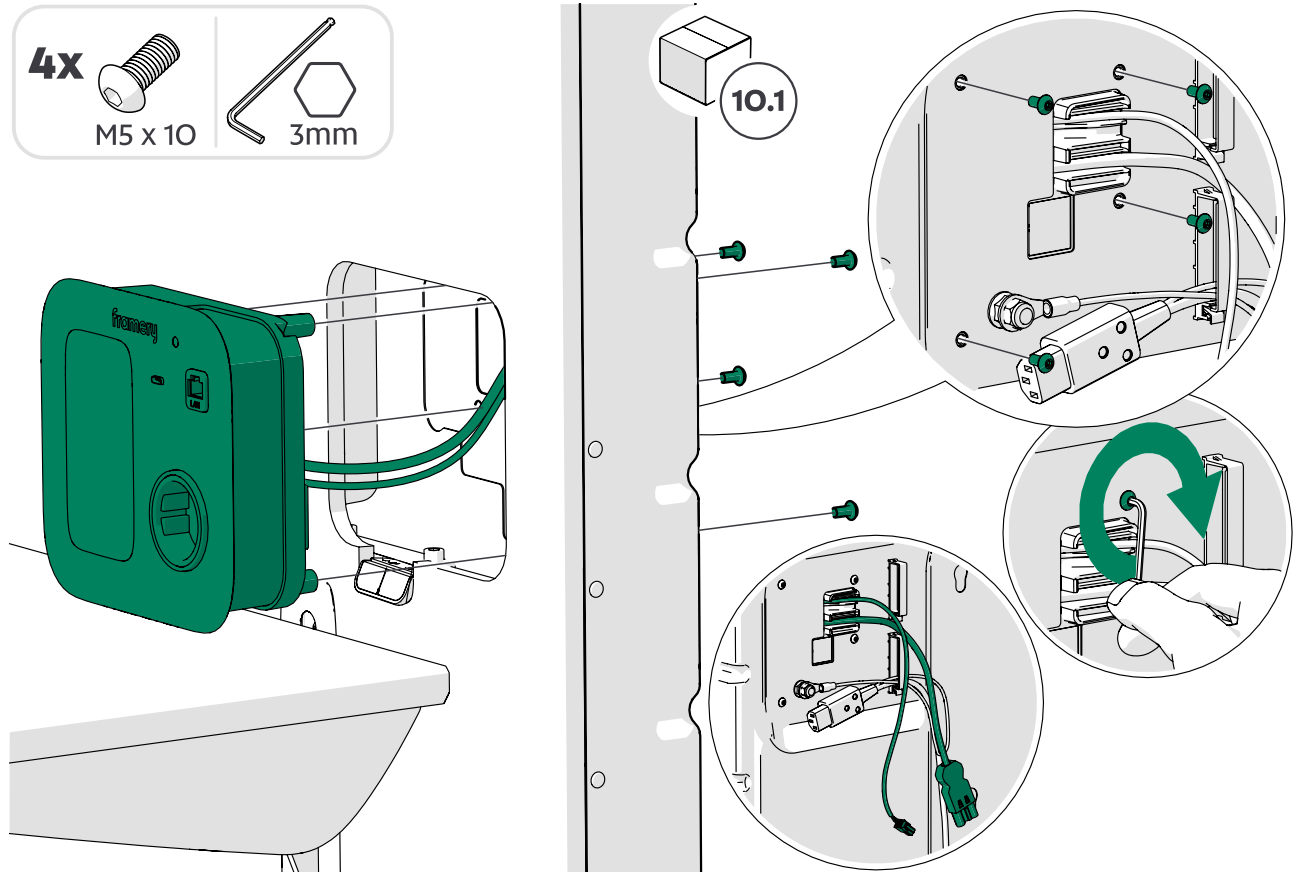
4.



10.5.2 Install the control panel (without optional LAN)

If the delivery does NOT include the optional LAN cord, follow the instructions in this section.

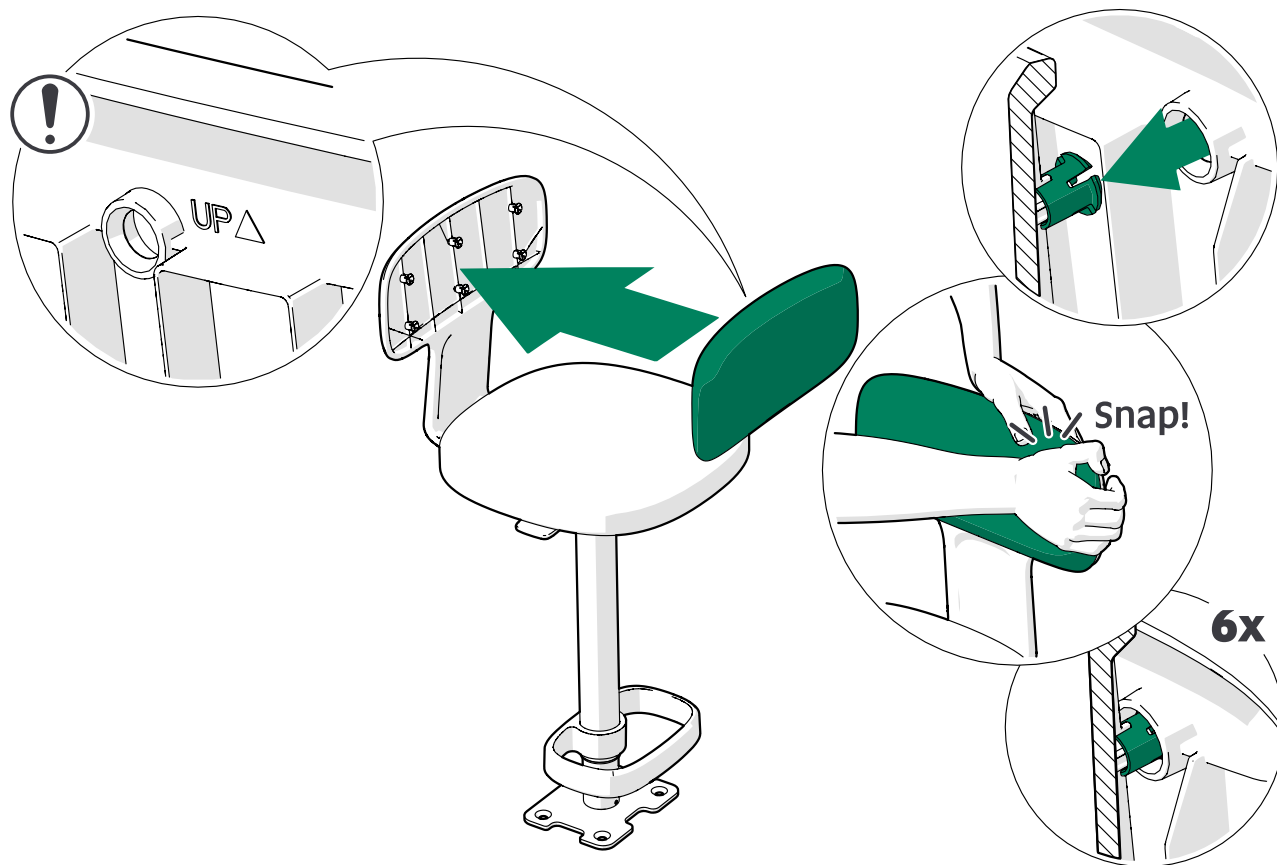
If you have already installed the control panel with optional LAN cord, continue to section 10.6 "Install the chair and footrest (optional)".



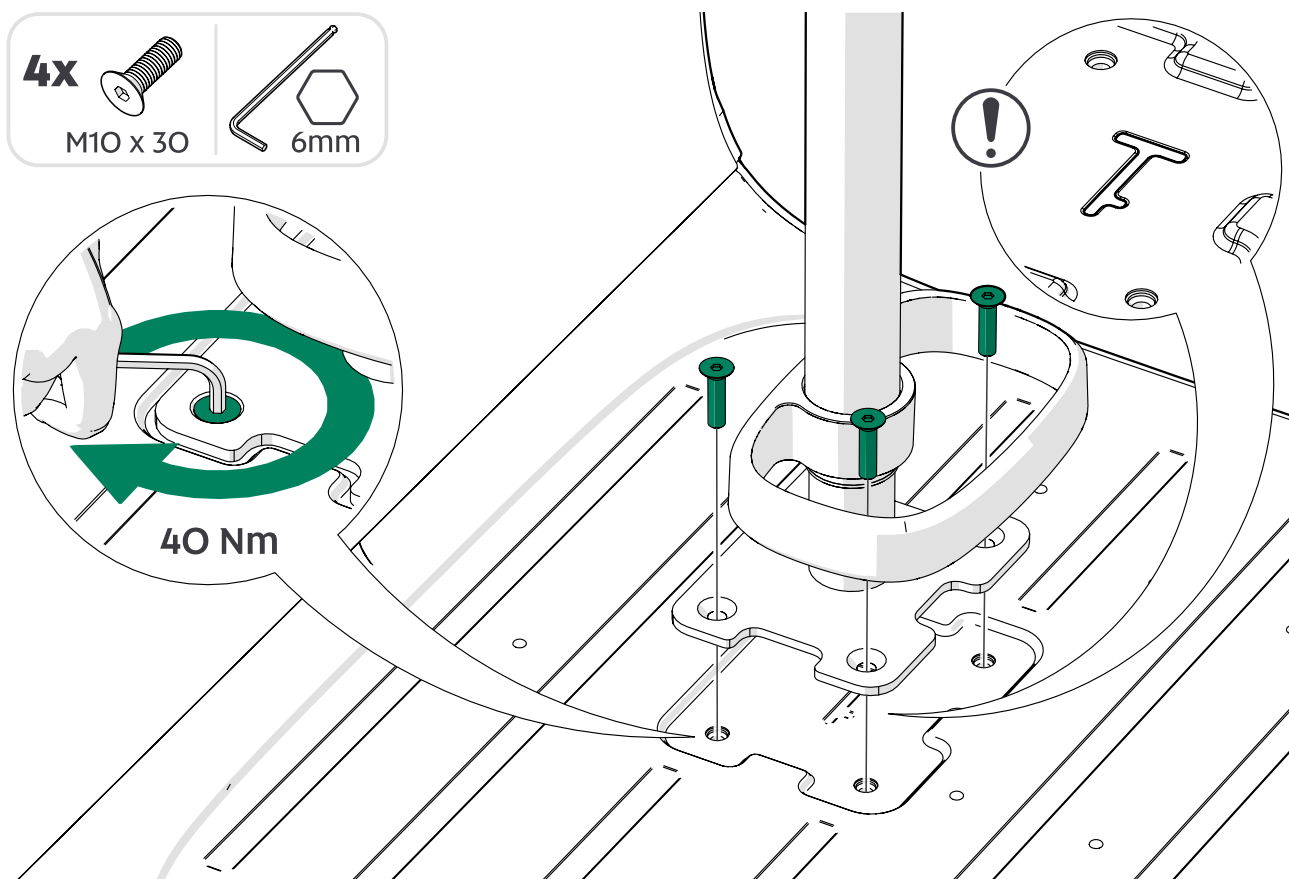
10.6 Install the chair and footrest (optional)

If the delivery does NOT include the optional chair and footrest, continue to section 10.7.2 "Install the carpet (without optional chair and footrest)".

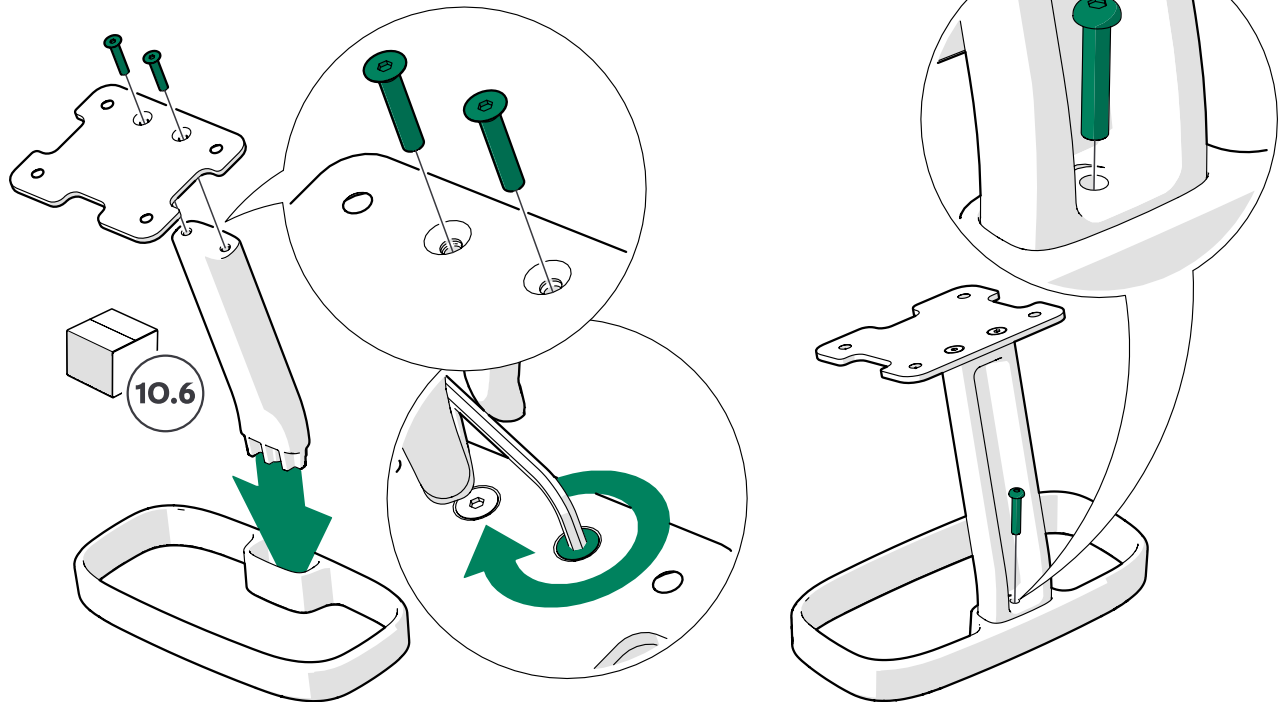
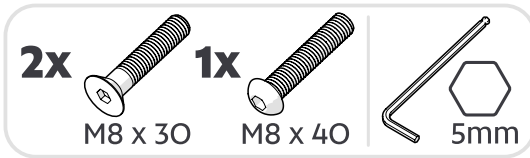
3.



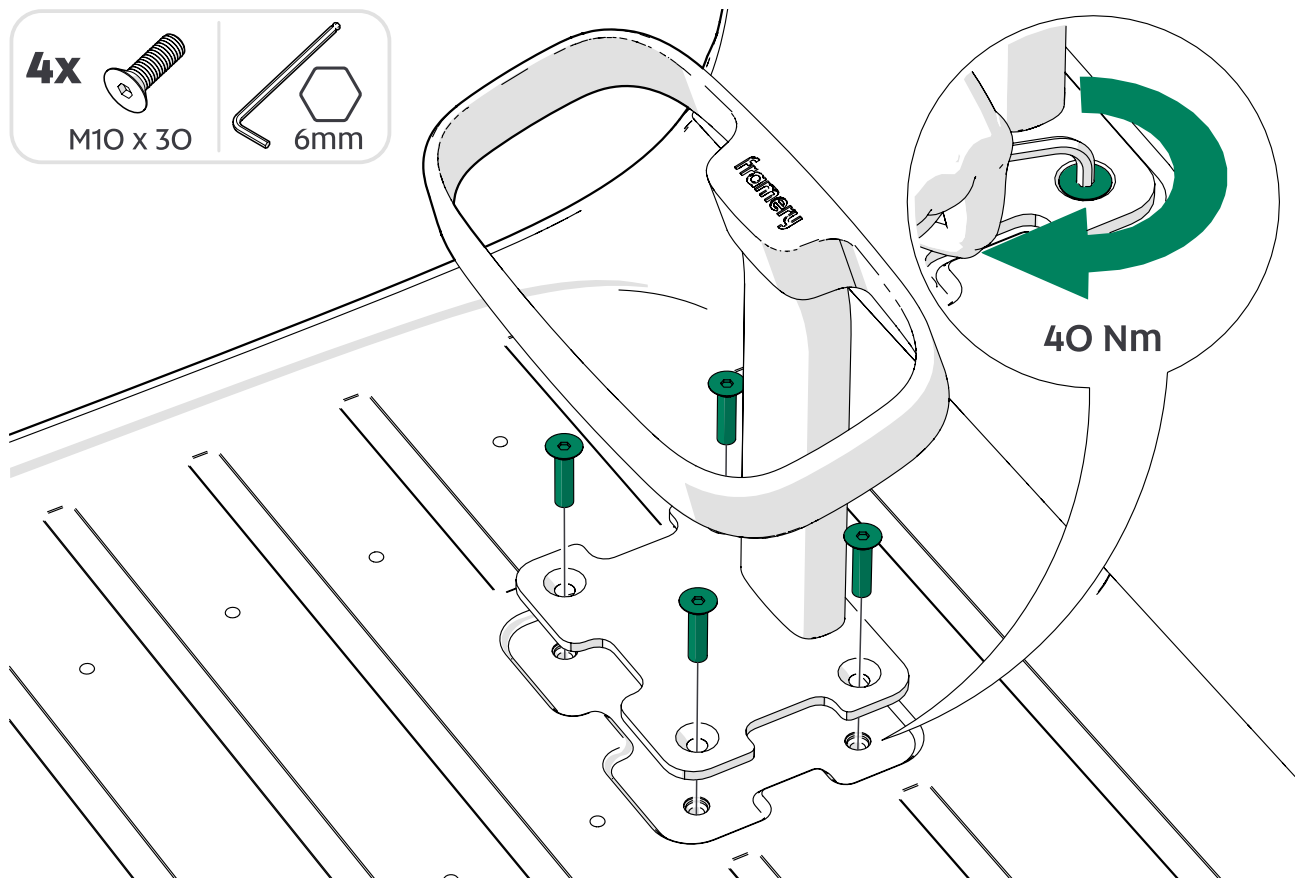
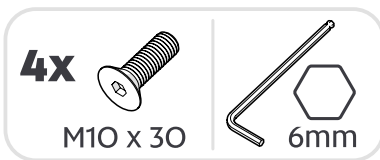
4.



5.



6.



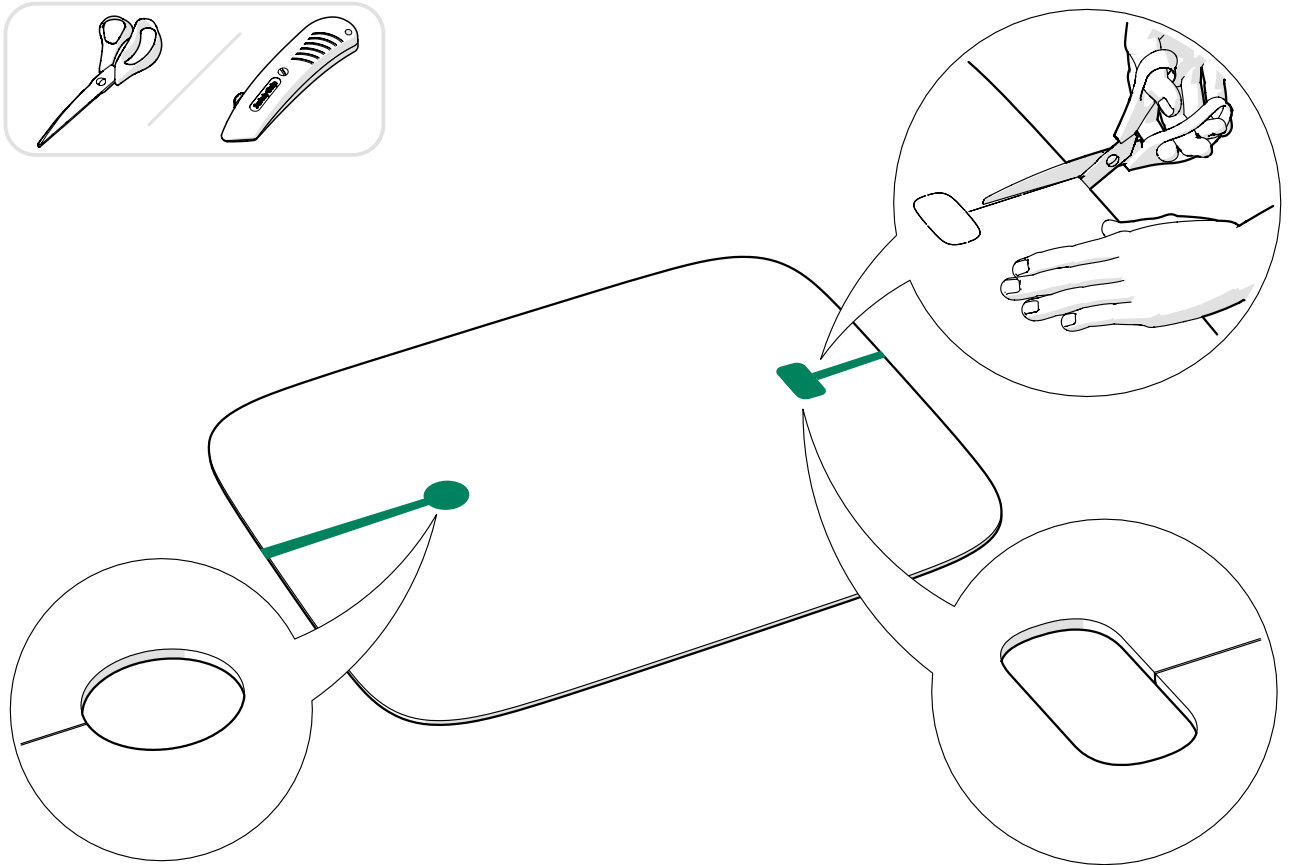
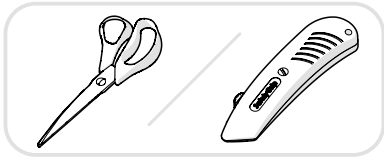
10.7 Install the carpet

10.7.1 Install the carpet (with optional chair and footrest)

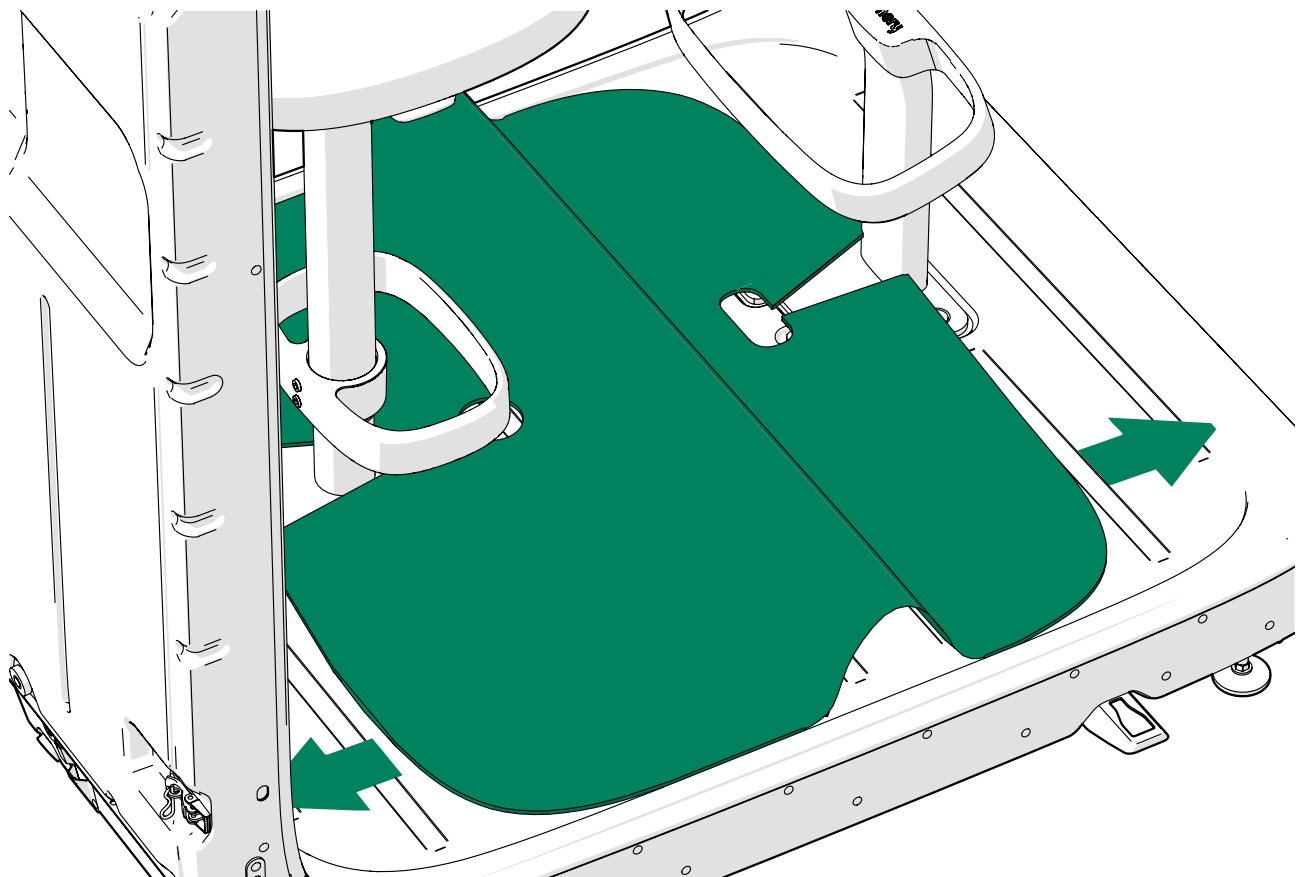
If the delivery includes the chair and footrest, follow the instructions in this section.

If the delivery does NOT include the chair and footrest, continue to section 10.7.2 "Install the carpet (without optional chair and footrest)".

1.



2.

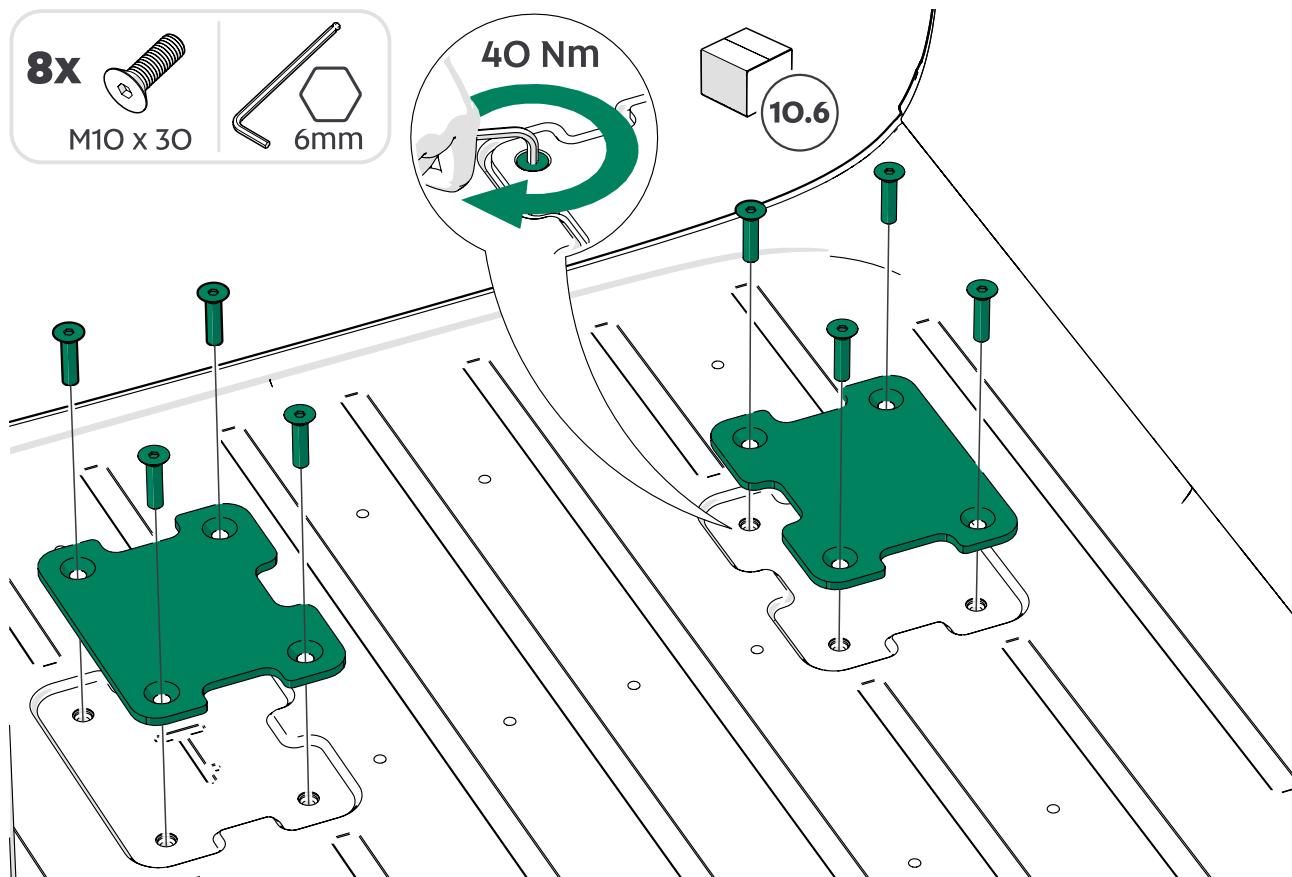


10.7.2 Install the carpet (without optional chair and footrest)

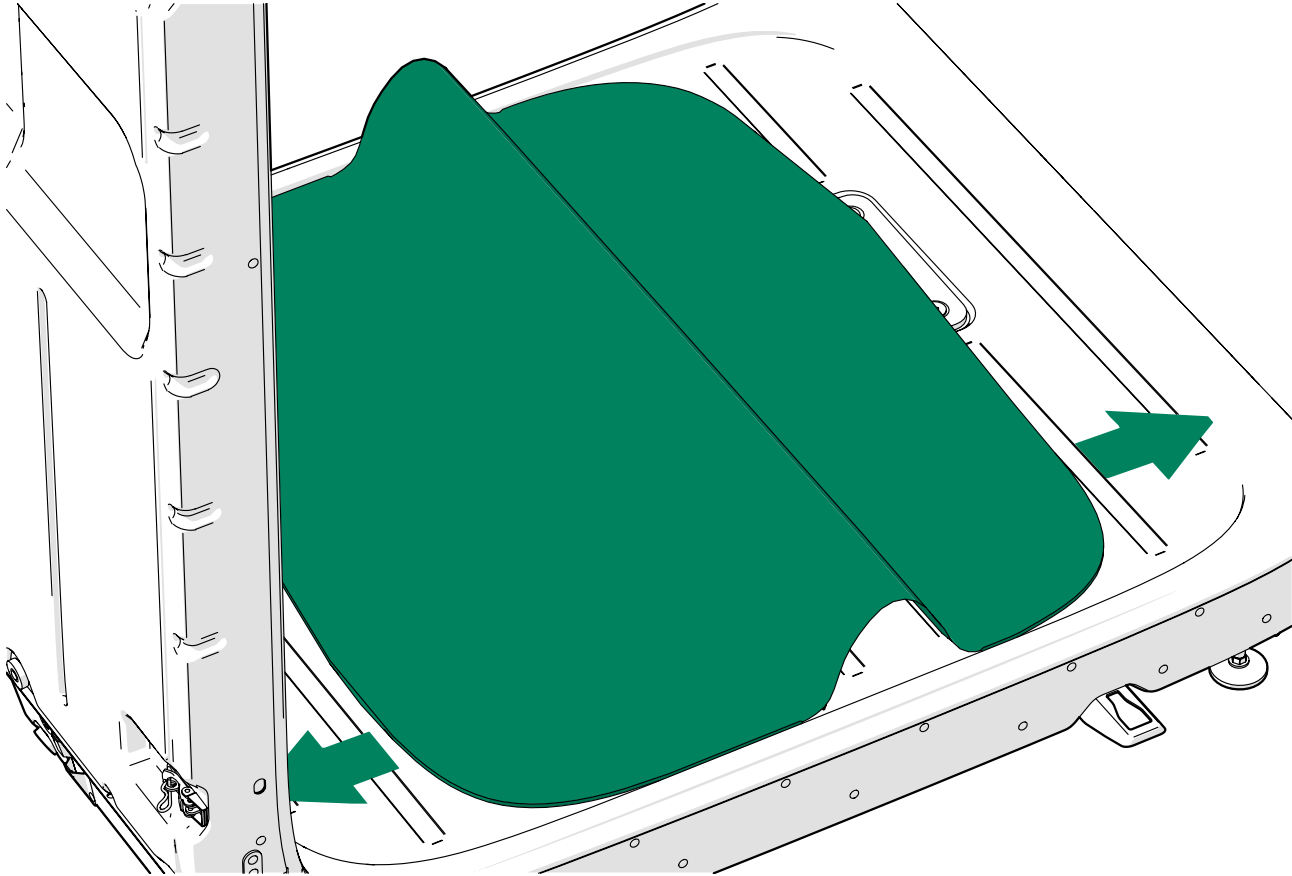
If the delivery does NOT include the optional chair and footrest, follow the instructions in this section.

If you have already installed the carpet with optional chair and footrest, continue to section 11 "Install the glass wall".

1.

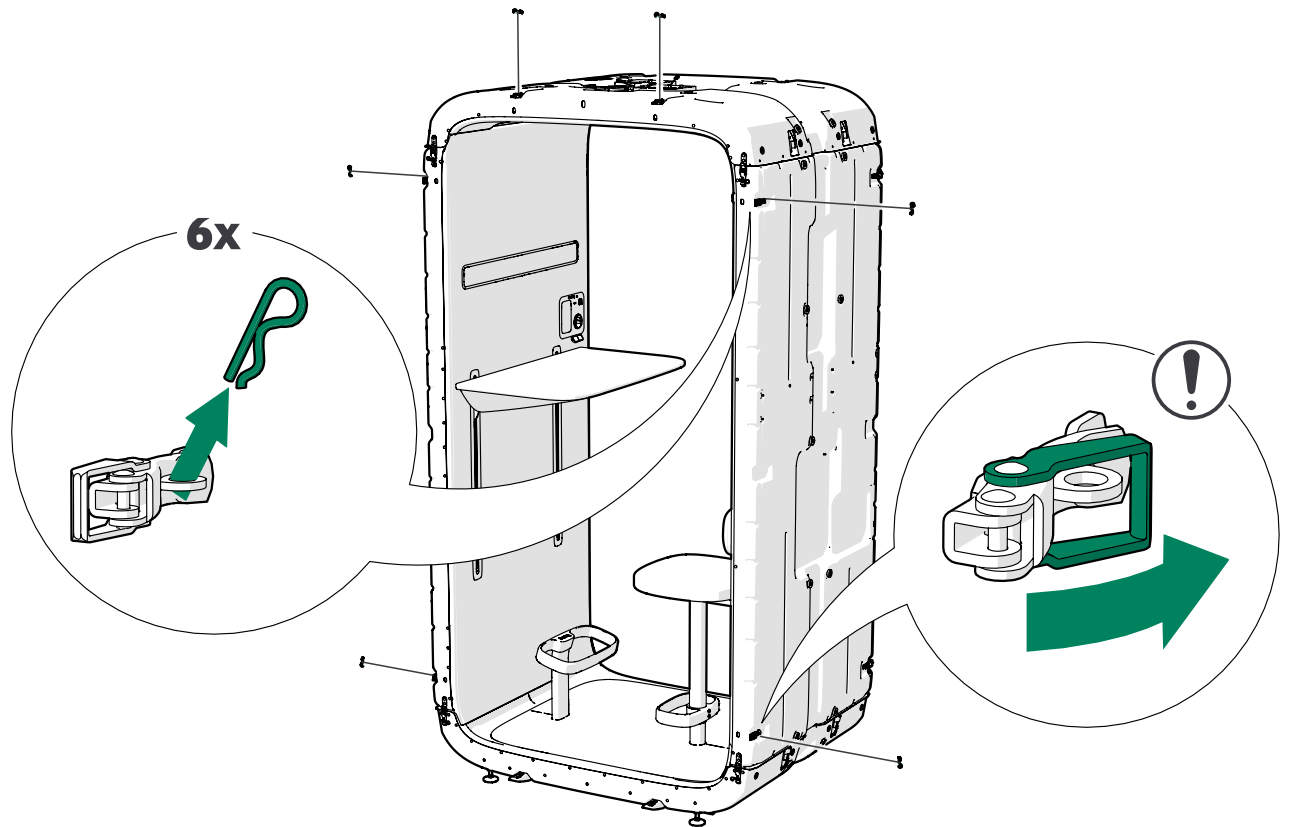


2.

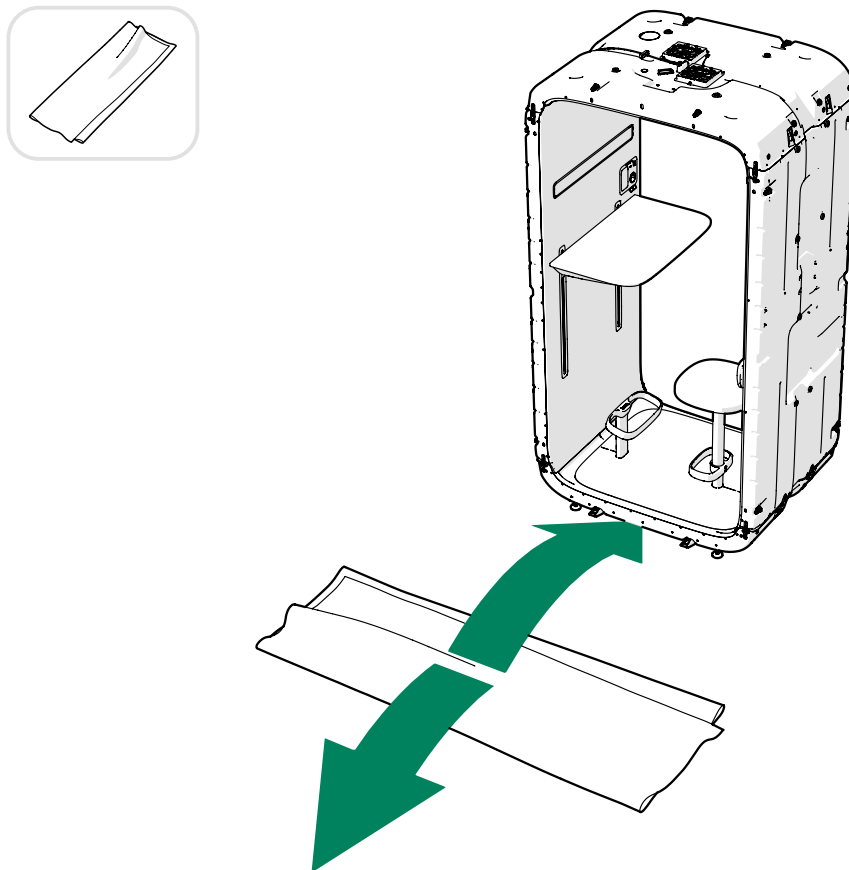


11 Install the glass wall

1.



2.



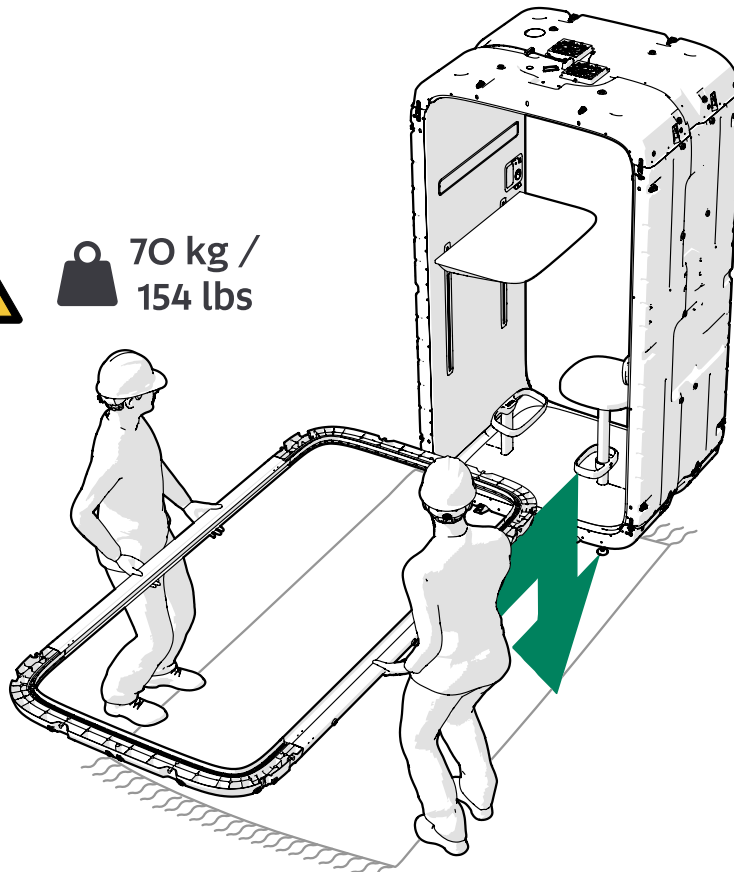
3.



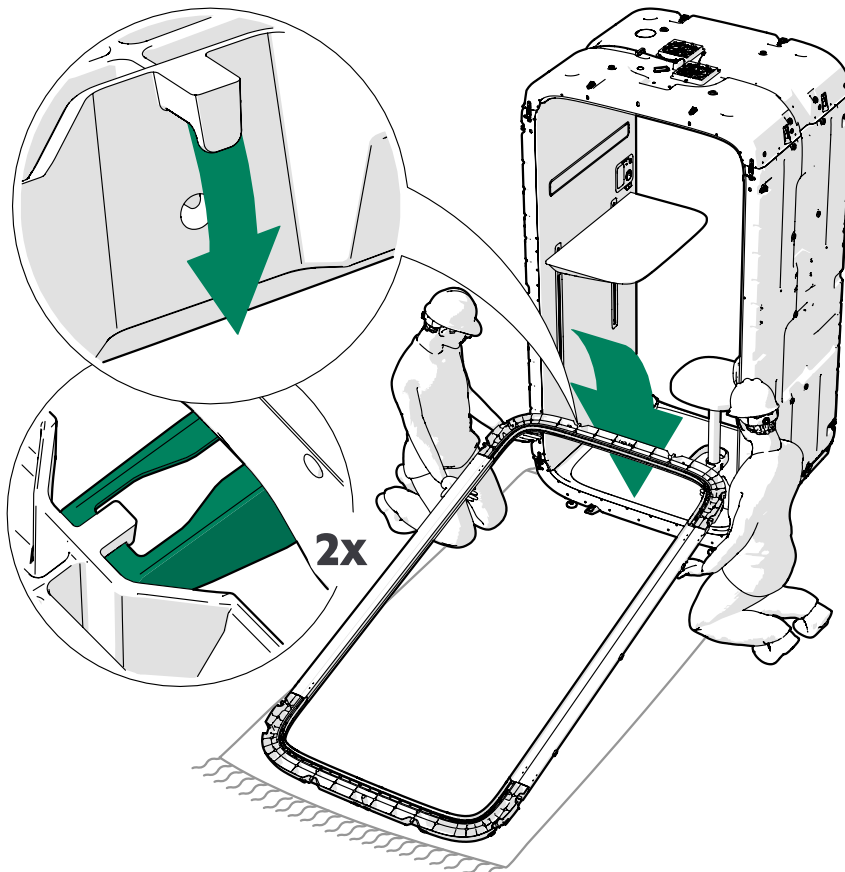
Note: Make sure that the carpet is in place before lifting the glass wall. The carpet is needed to protect the frame from scratches.



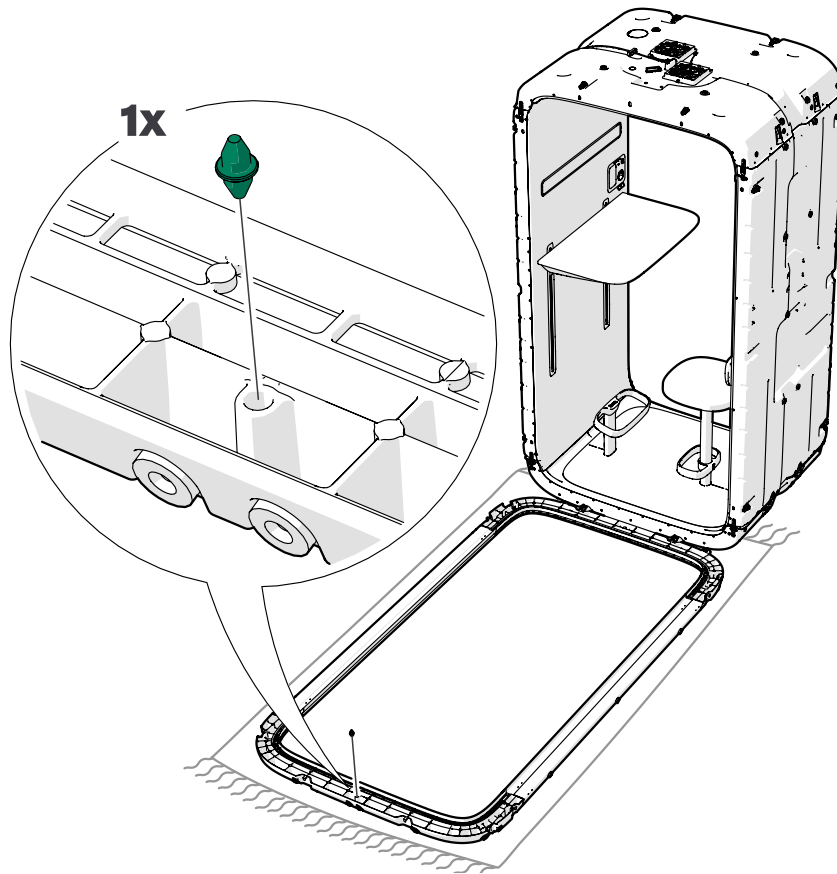
 70 kg /
154 lbs



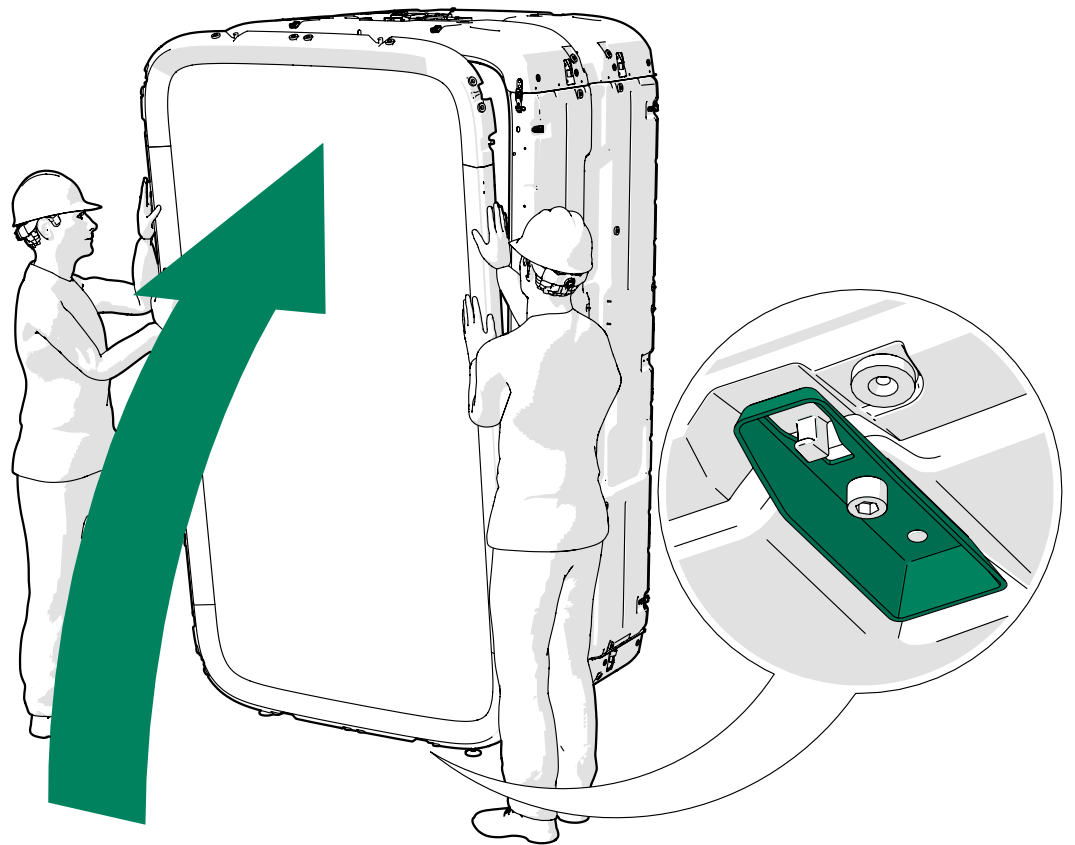
4.



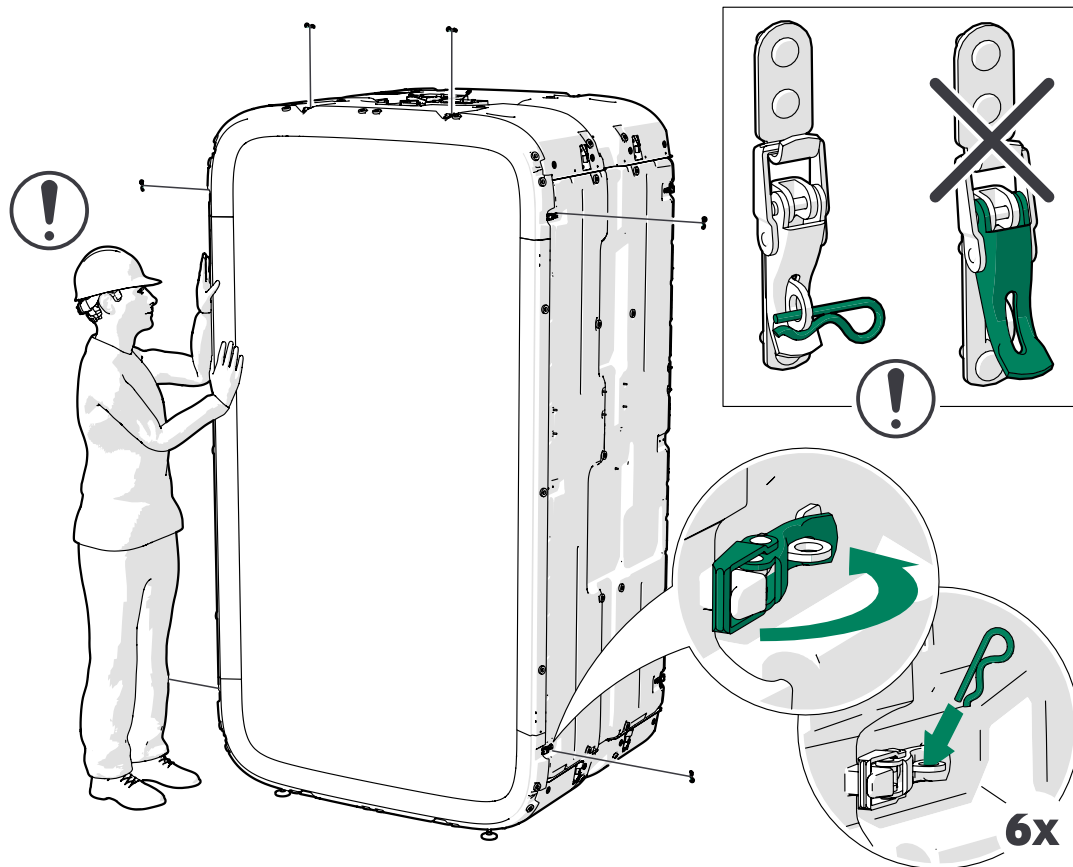
5.



6.



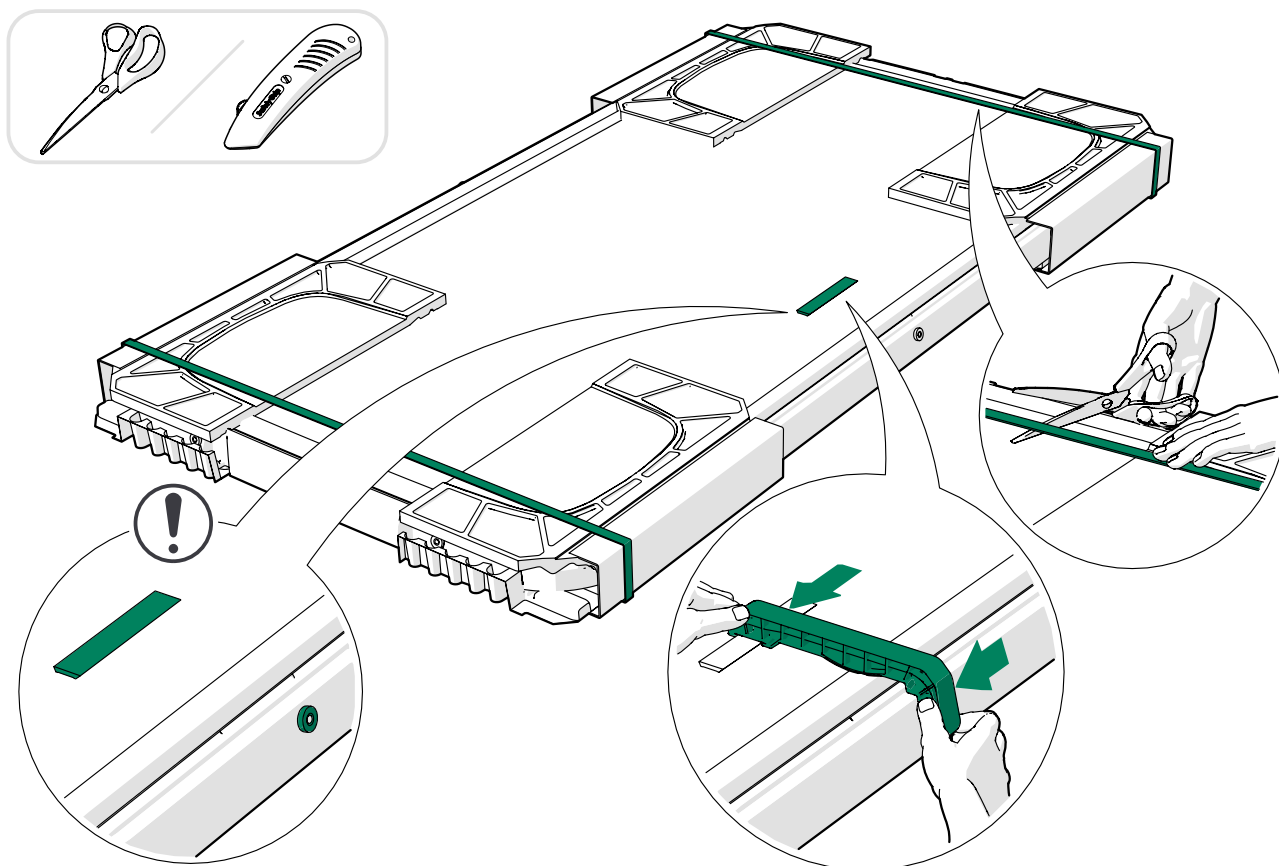
7.



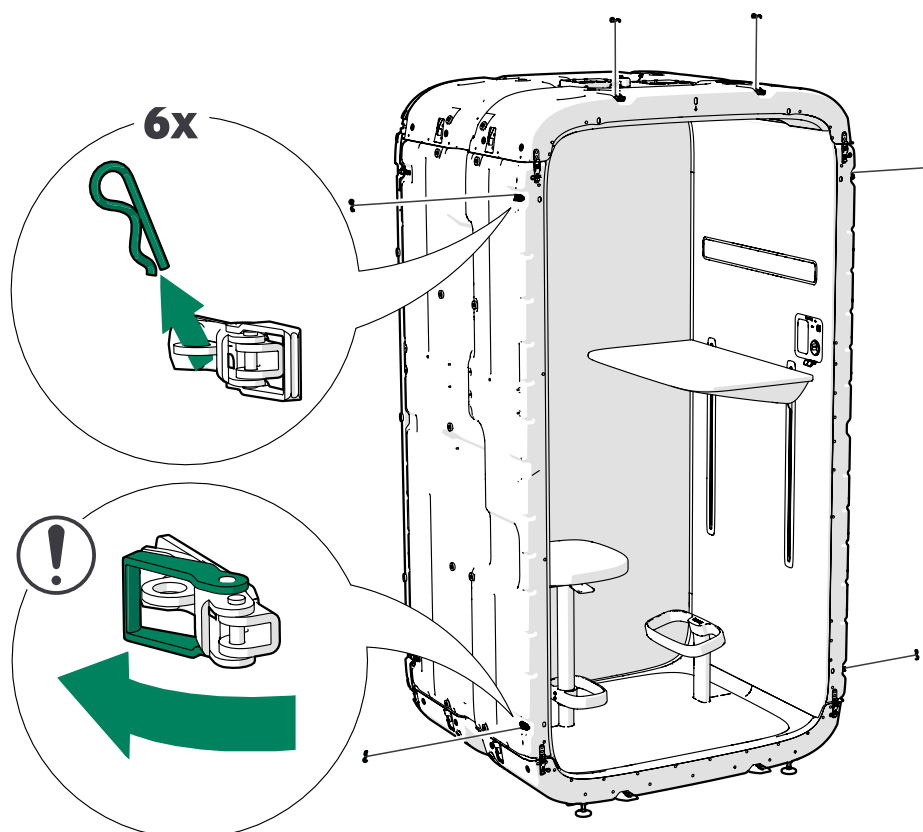
12 Install the front frame with the door

⚠ **Note:** Install the door brace before lifting the front frame with the door from the crate.

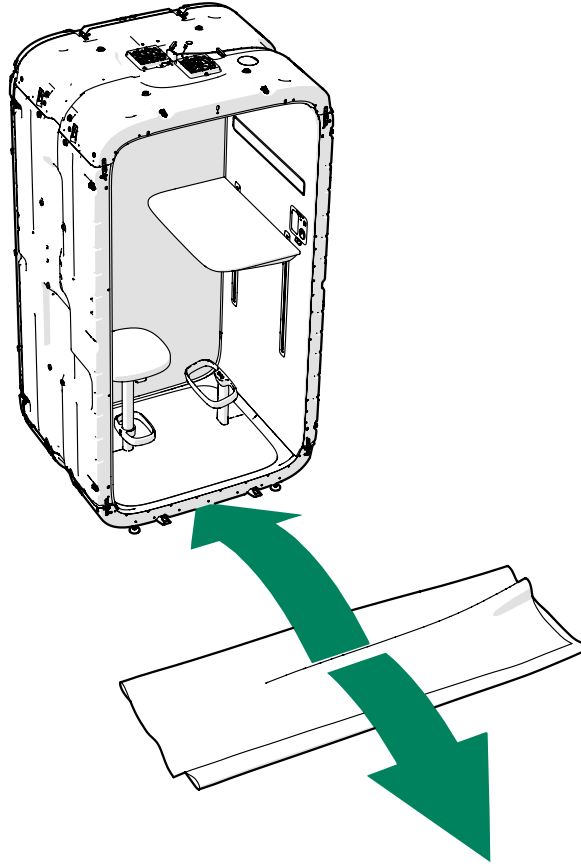
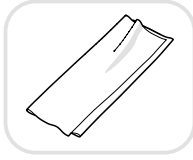
1.



2.



3.



4.



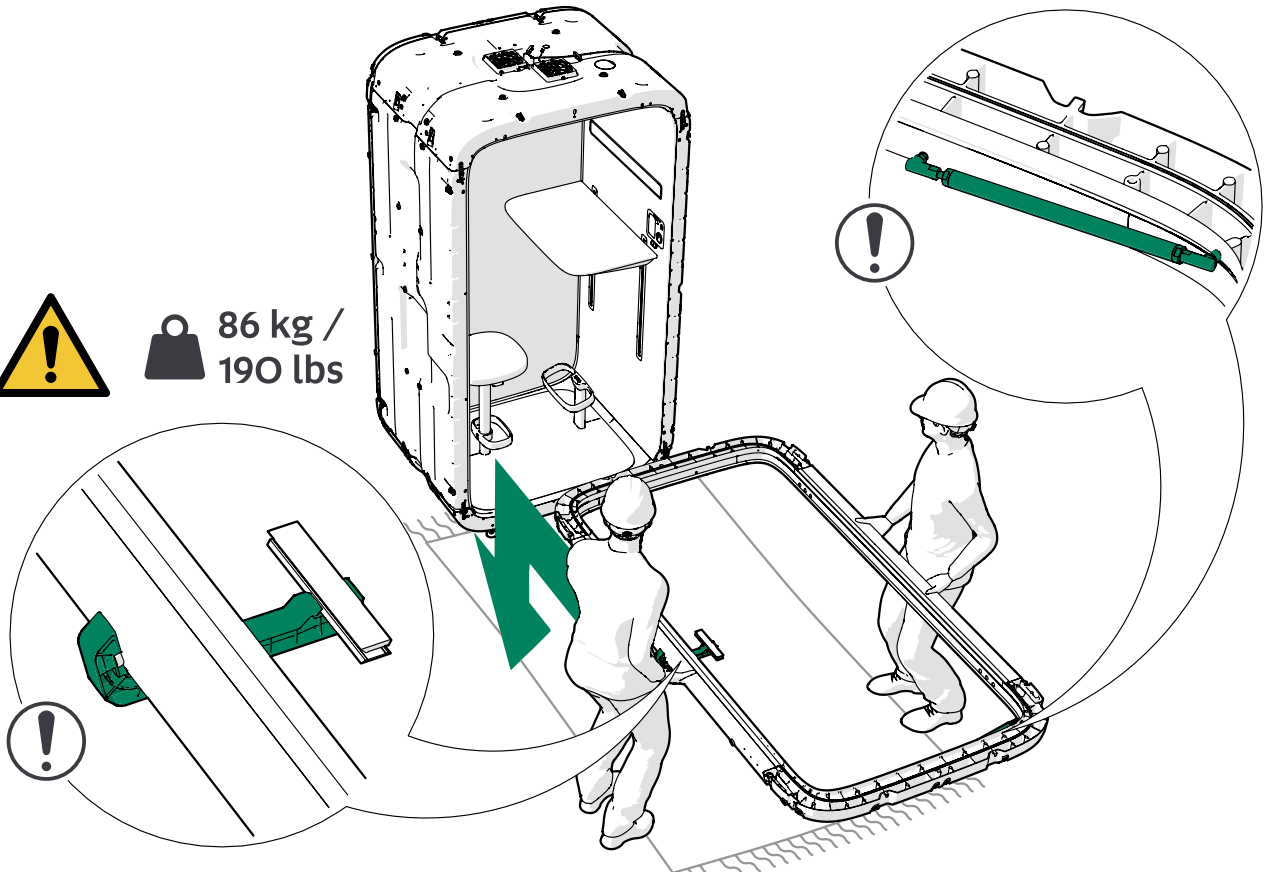
Note: Make sure that the carpet is in place before lifting the front frame with the door. The carpet is needed to protect the frame from scratches.



Note: Make sure that the front frame with the door is the right way around. The strut should be in the upper right corner.

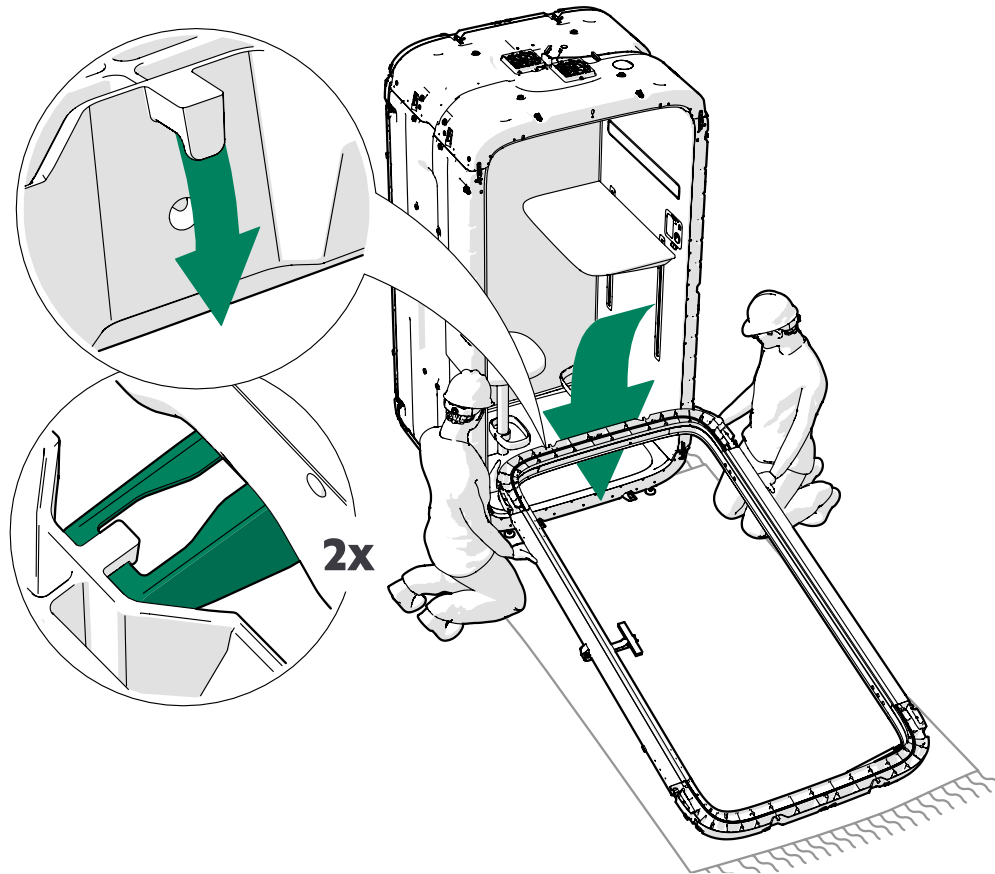


 86 kg /
190 lbs

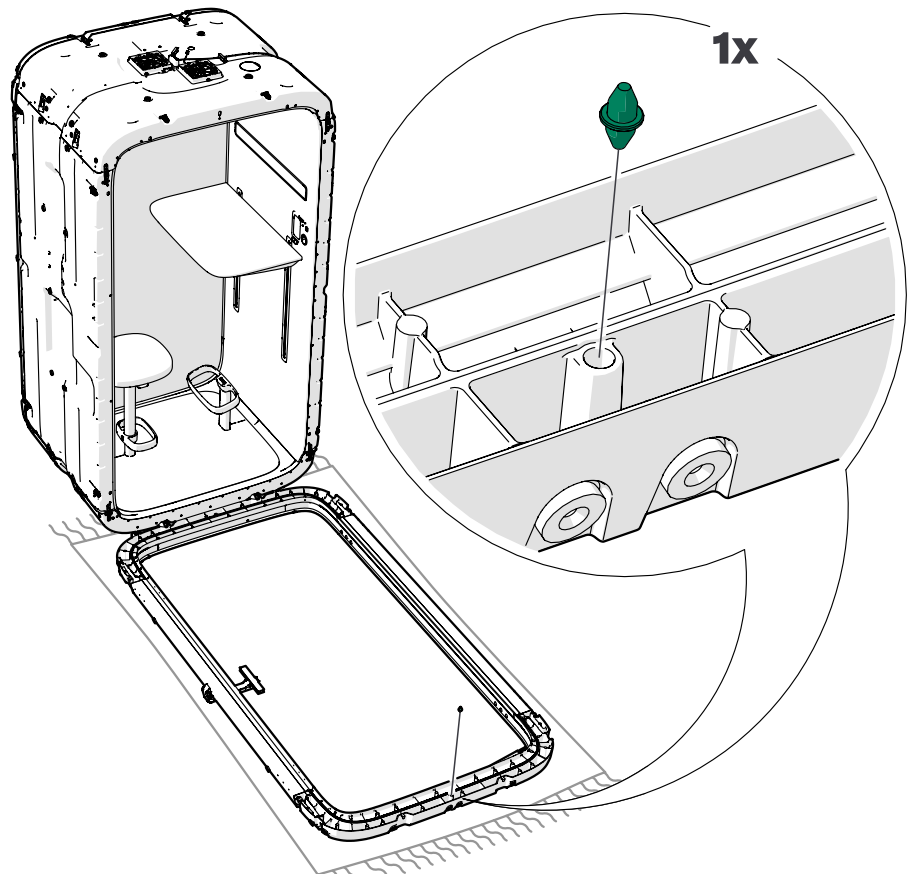


Framery One

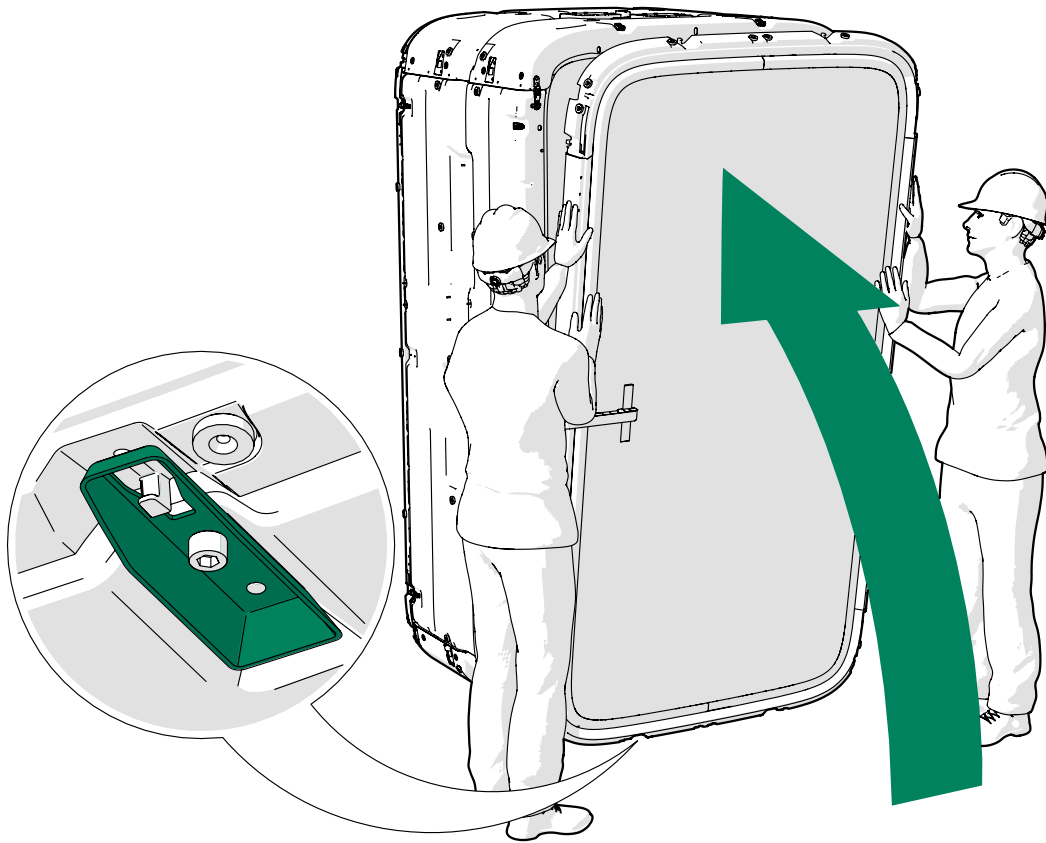
5.



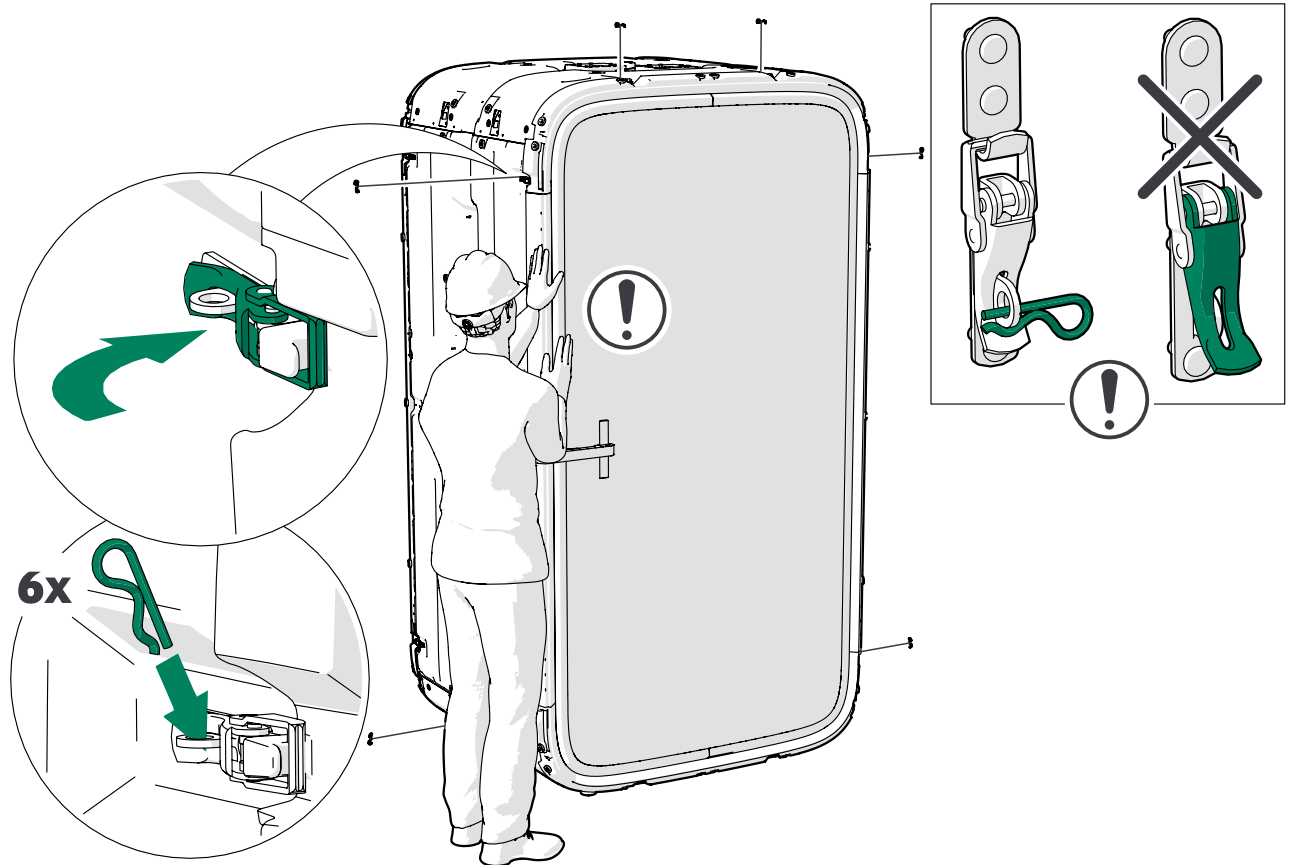
6.



7.



8.

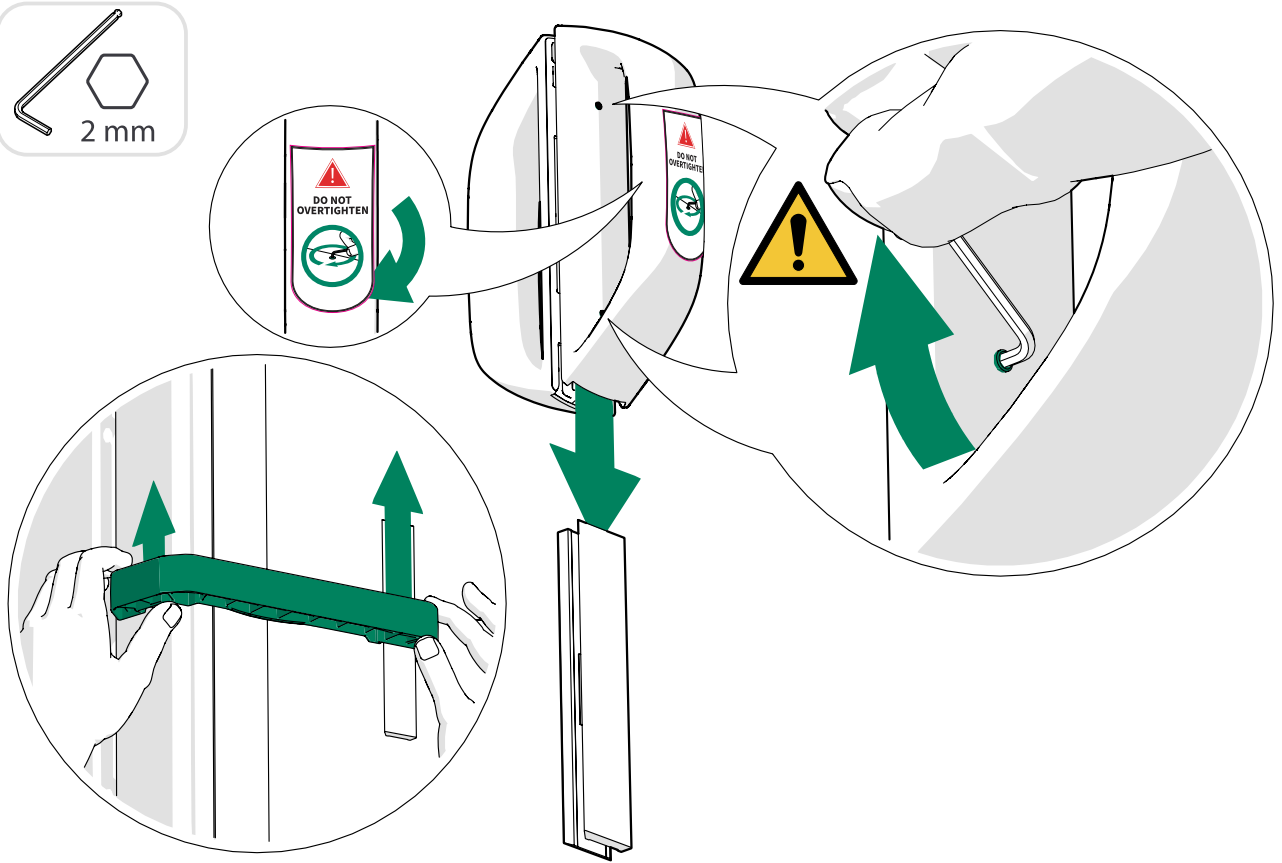


12.1 Install the door handles



Warning: Do not overtighten the handle screws.

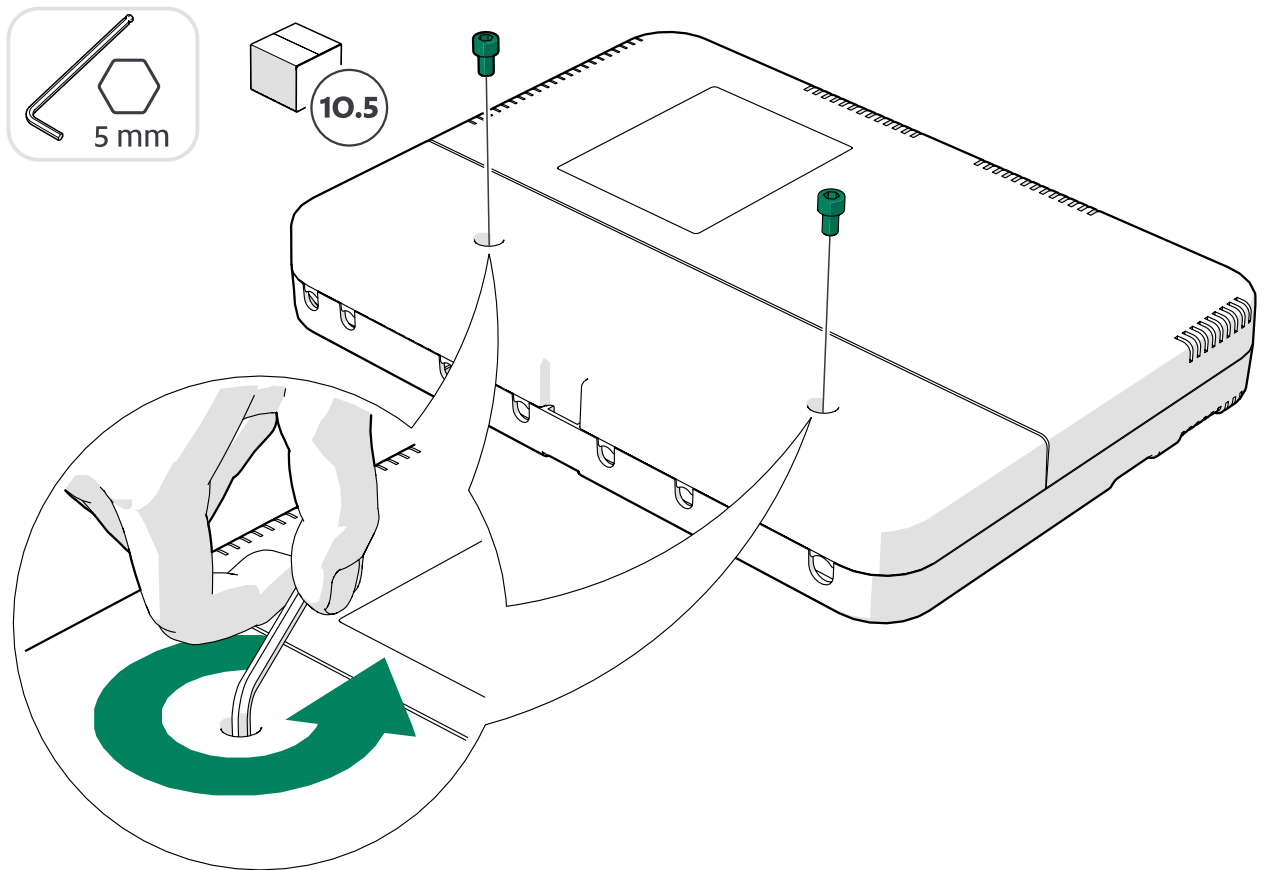
Framery One



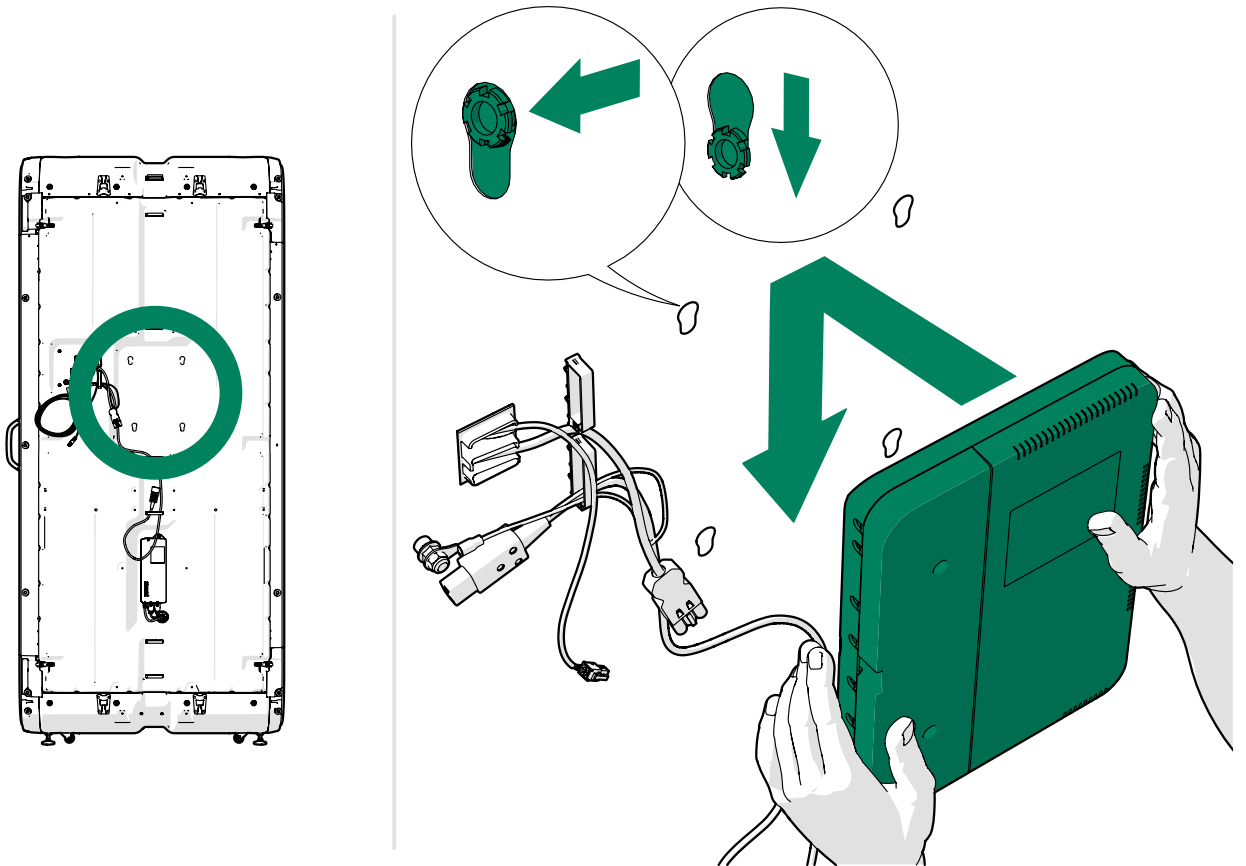
13 Install the electrical equipment

13.1 Install the power unit and electrical cords

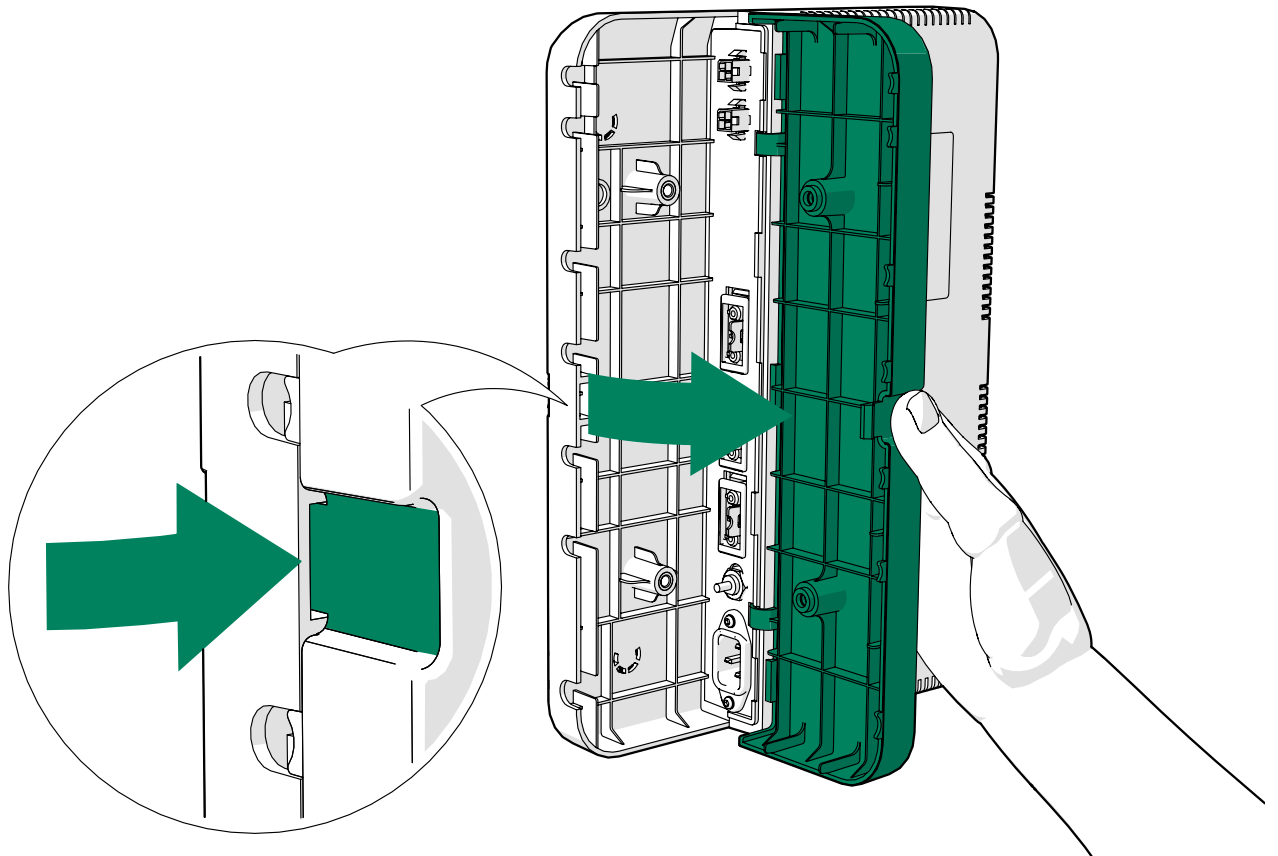
1.



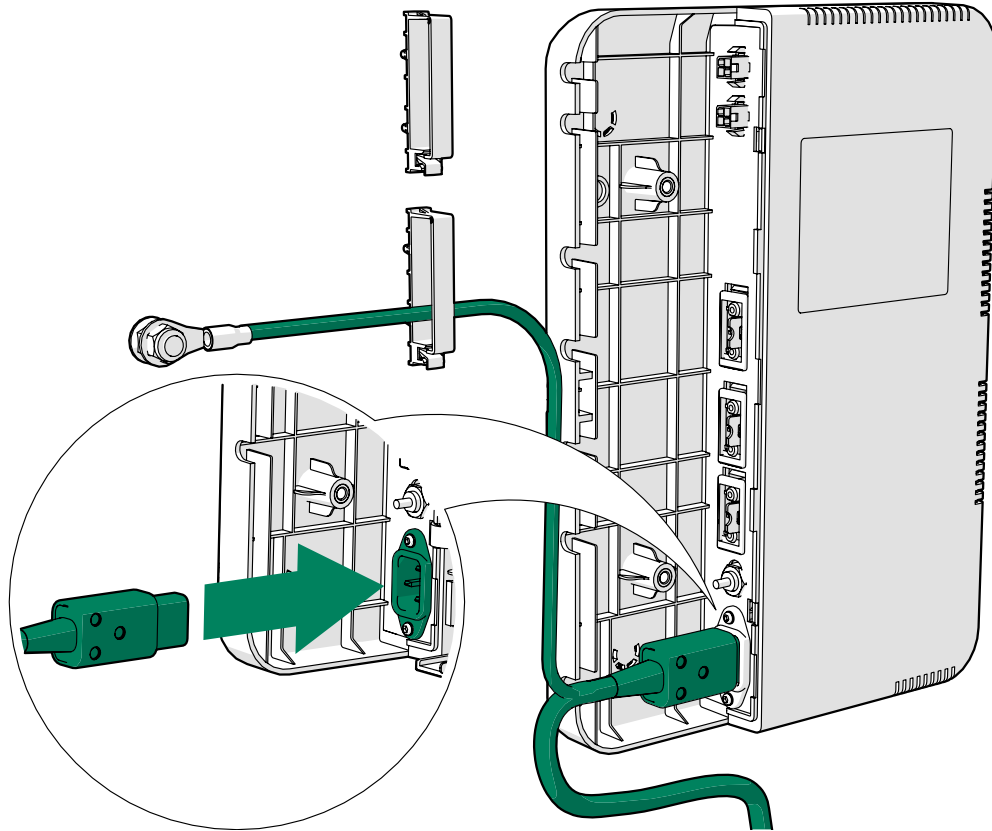
2.



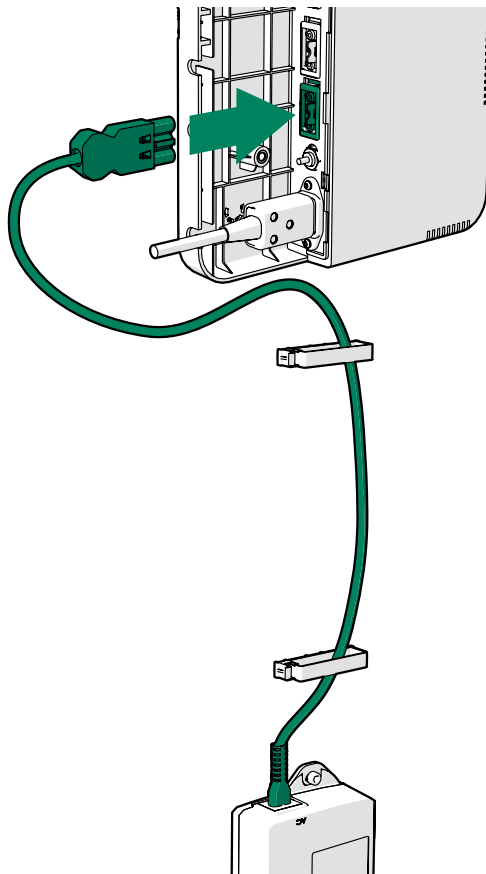
3.



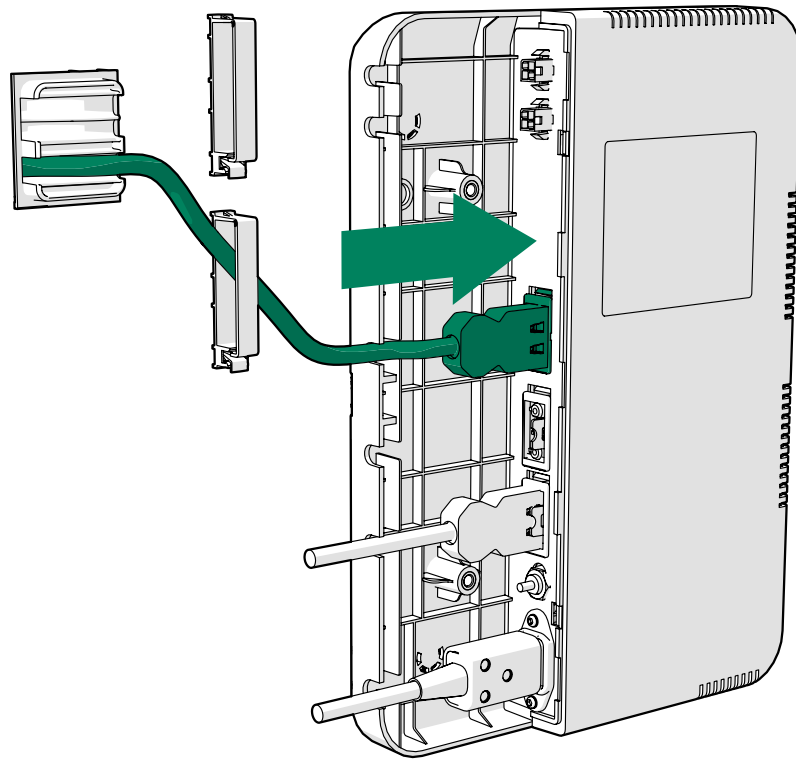
4.



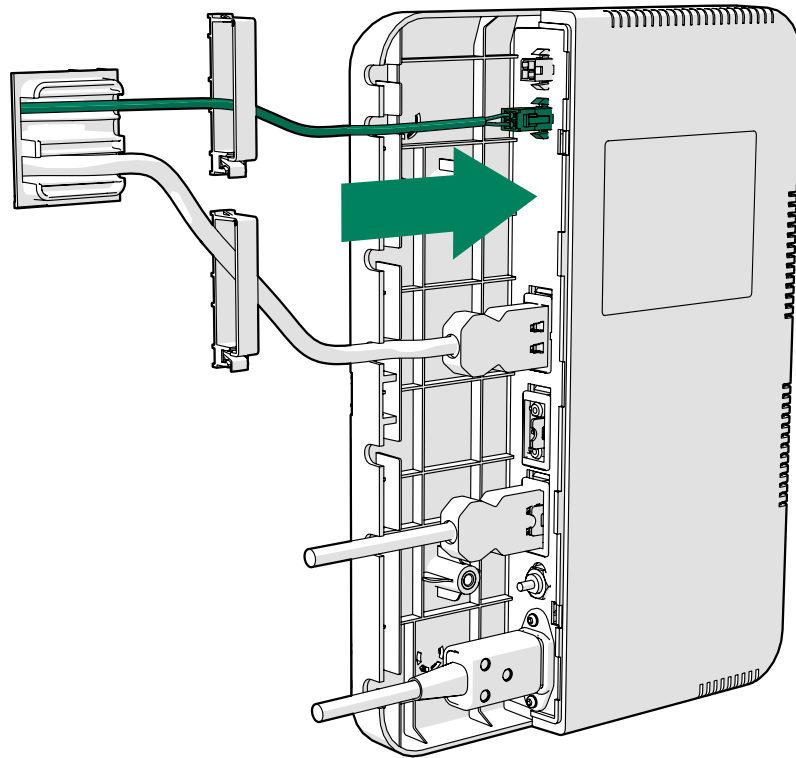
5.



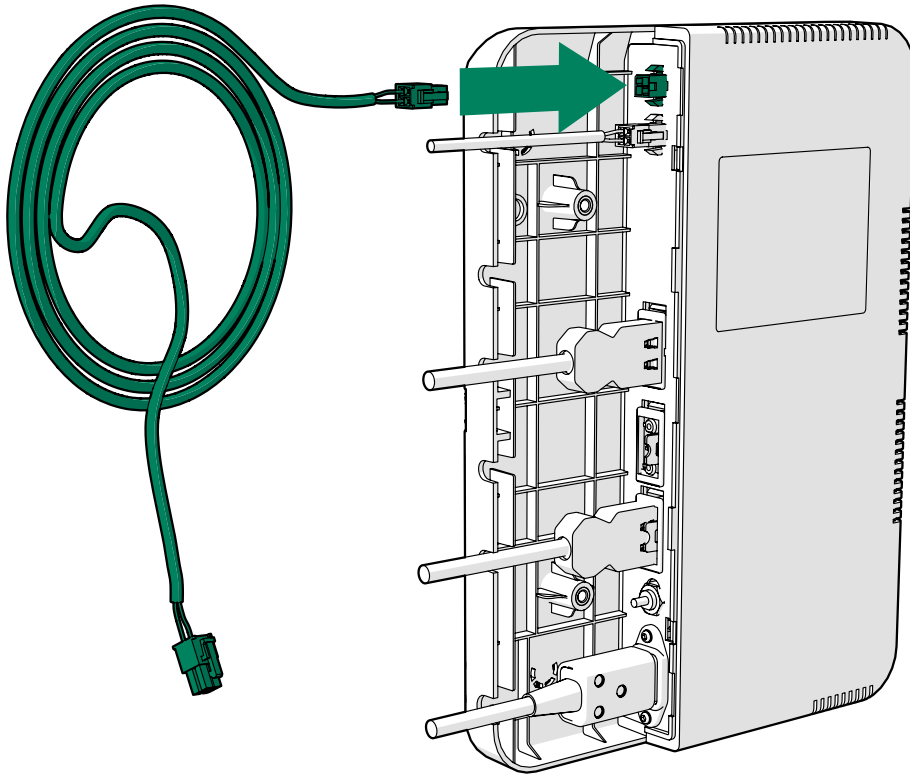
6.



7.



8.



9. If you intend to install the power cord from the roof (power outlet is located above the pod), go to the following section.

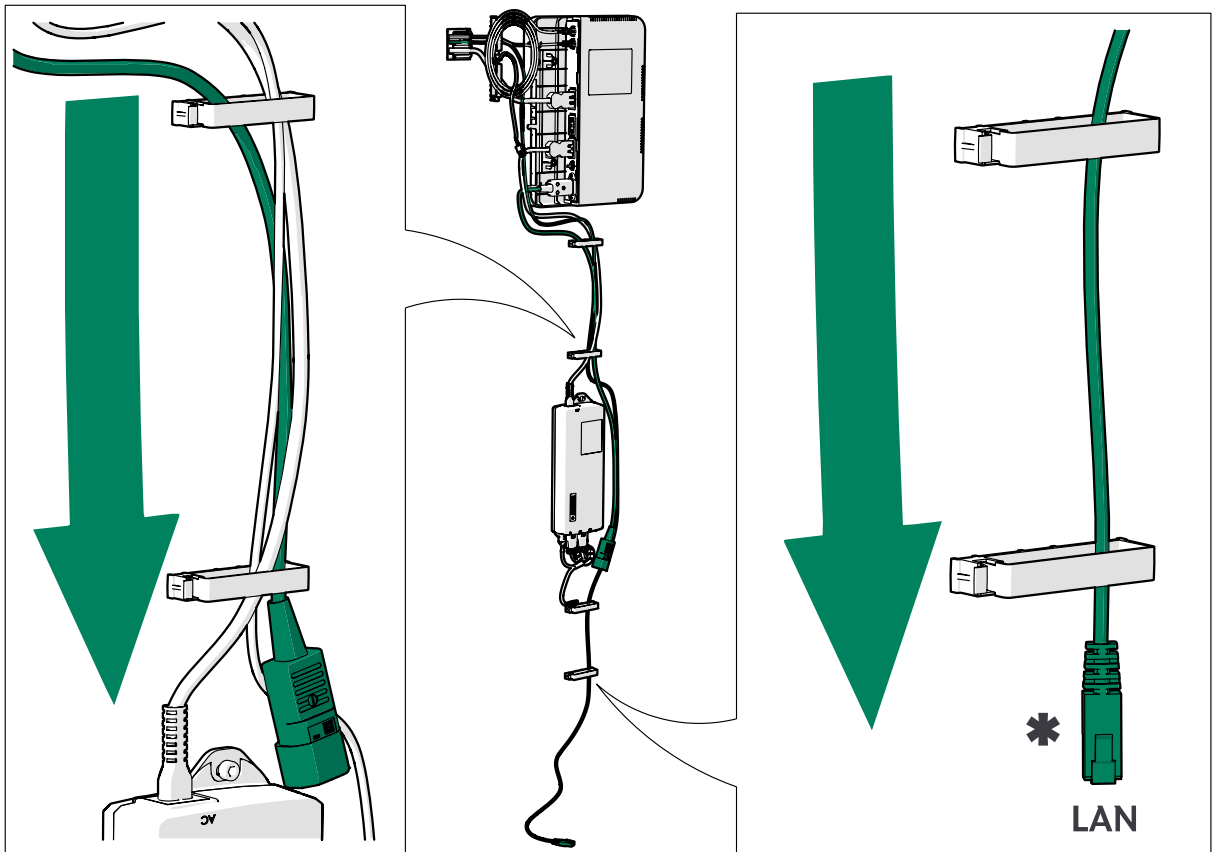
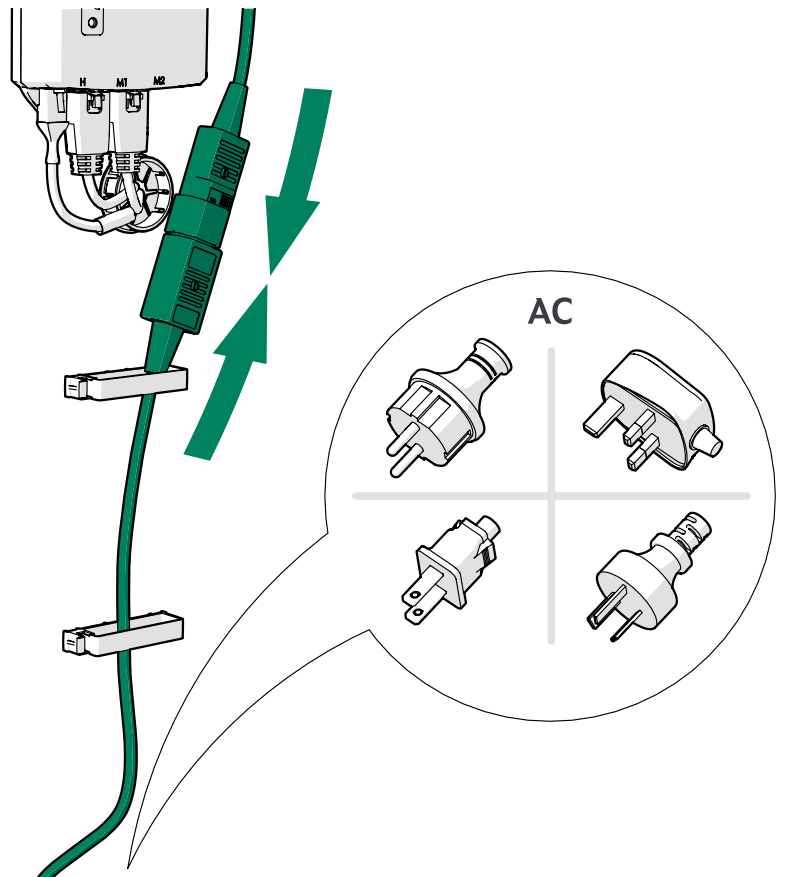


Figure 6: * = Optional component

10.



11.

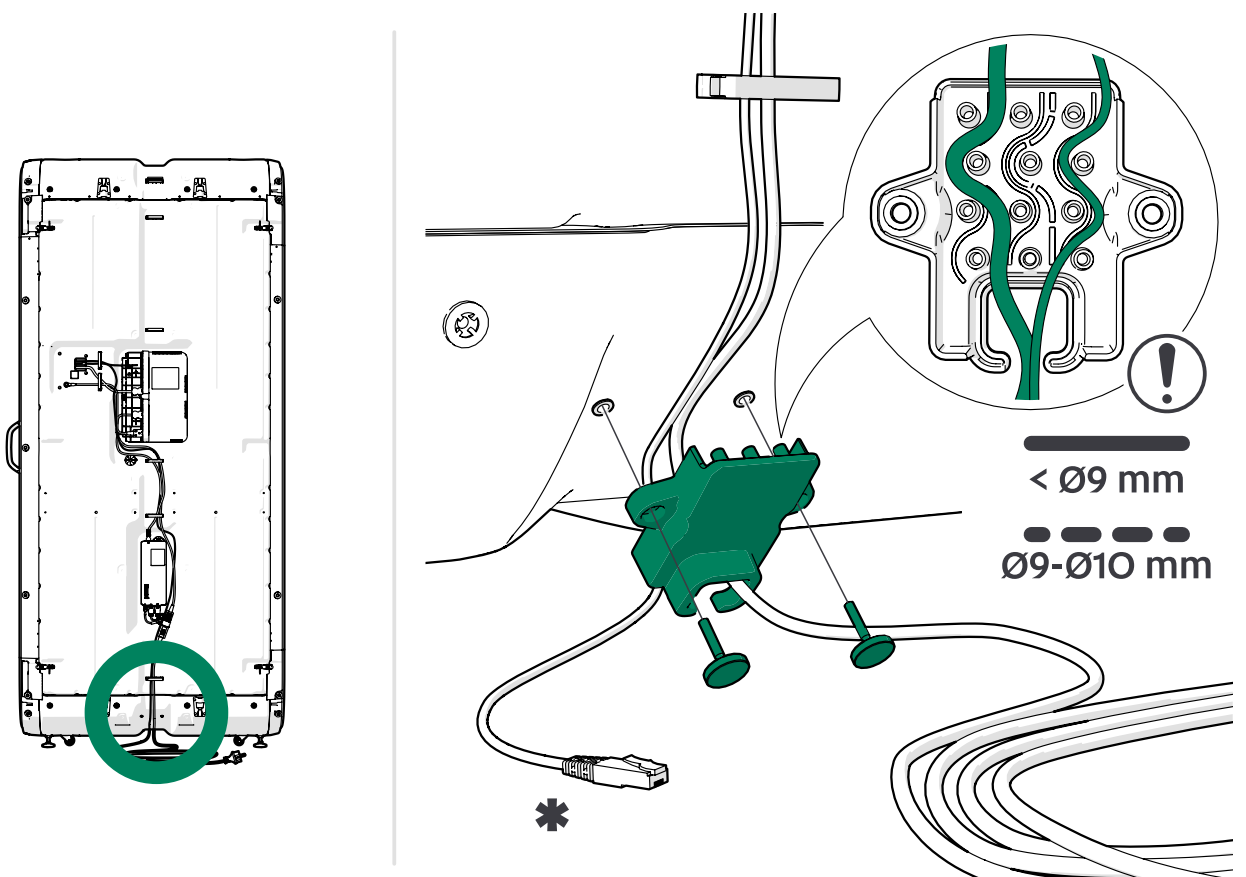
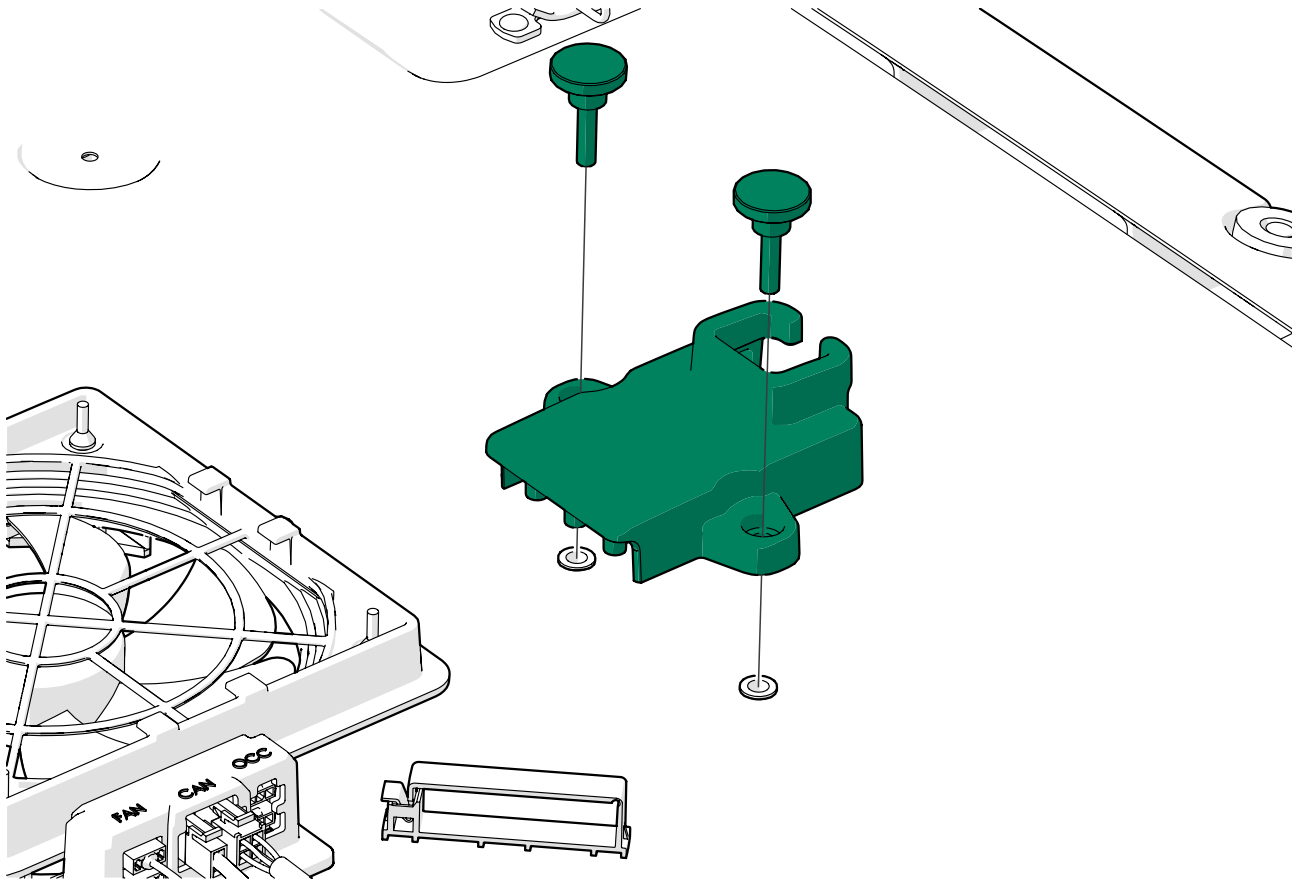


Figure 7: * = Optional component

12.



13.1.1 Route the power cord through the roof (optional)

1.

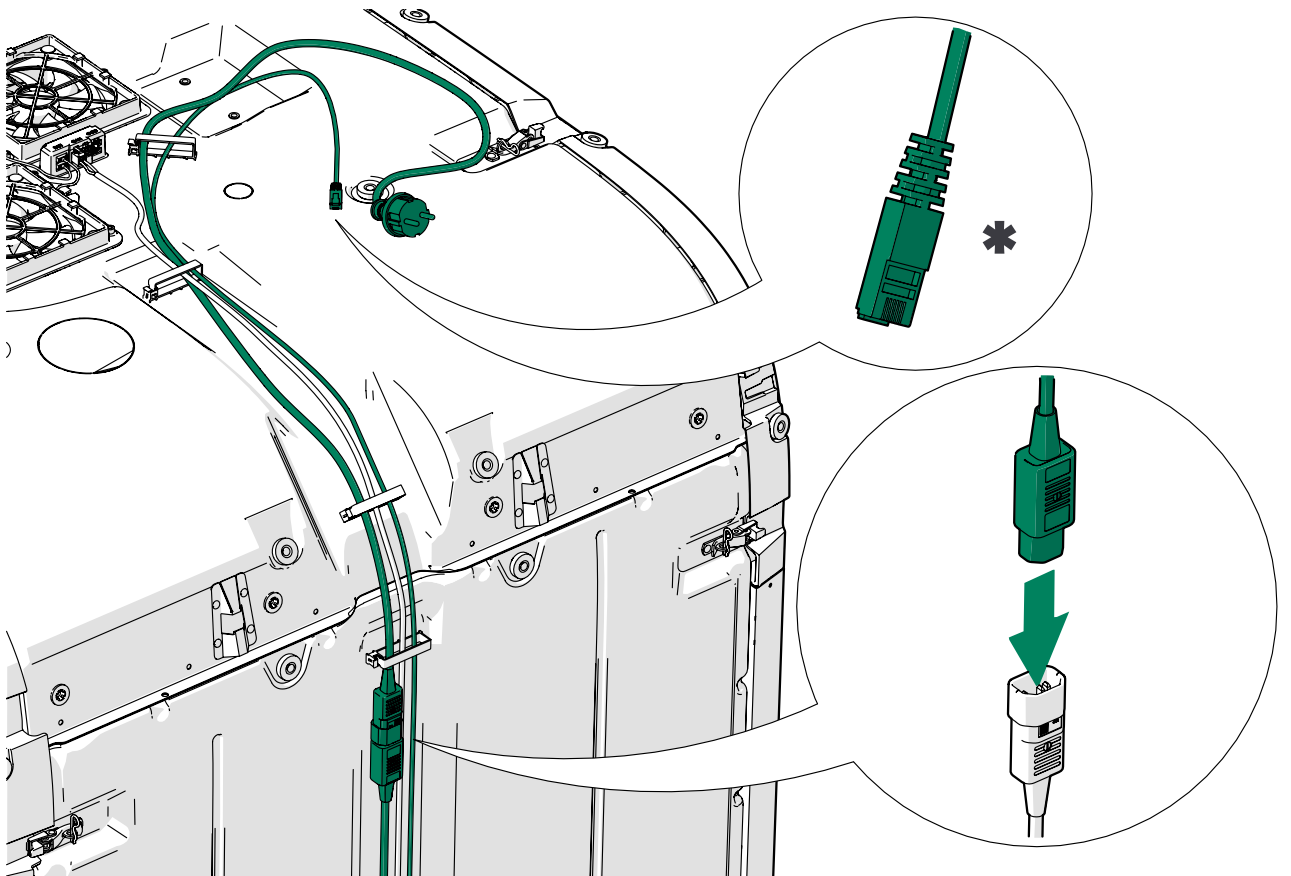


Figure 8: * = Optional component

2.

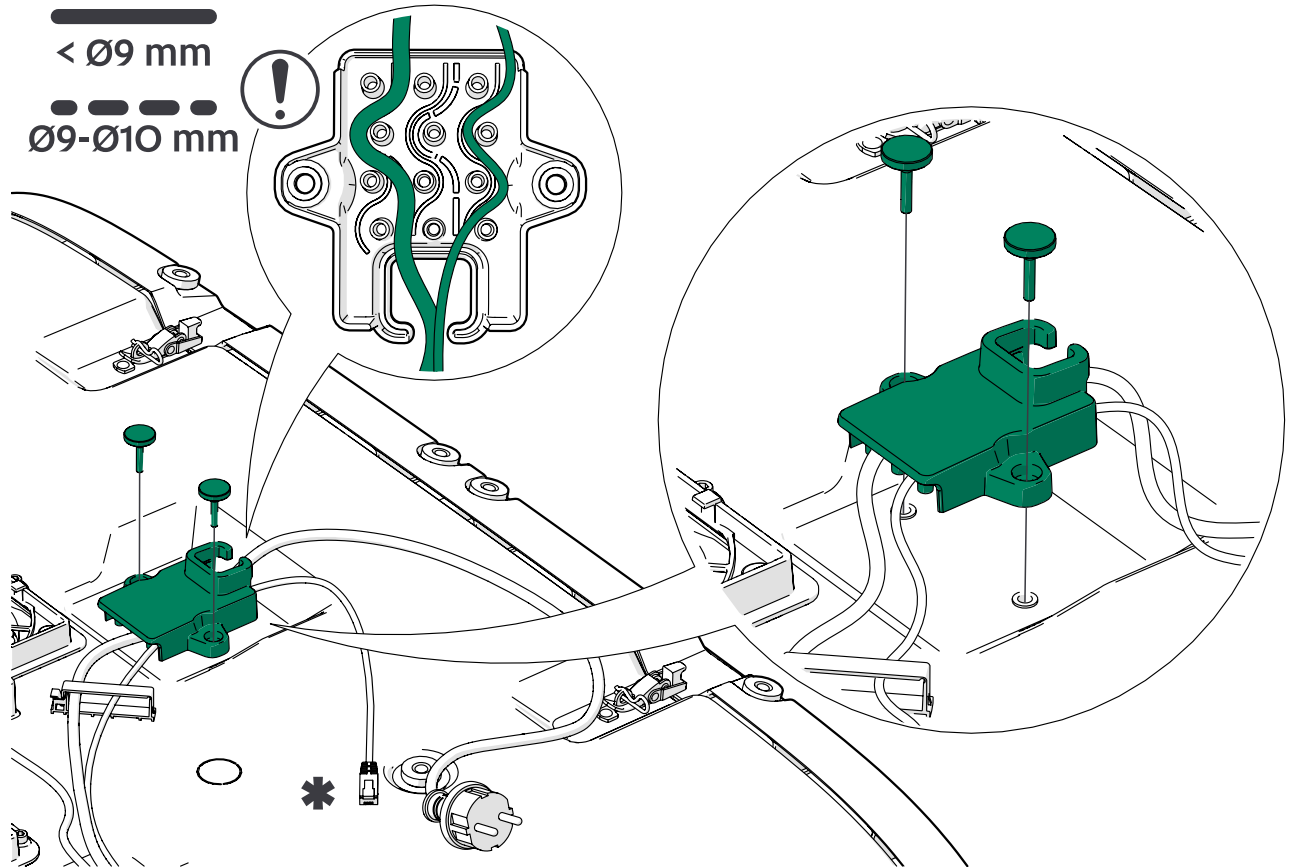
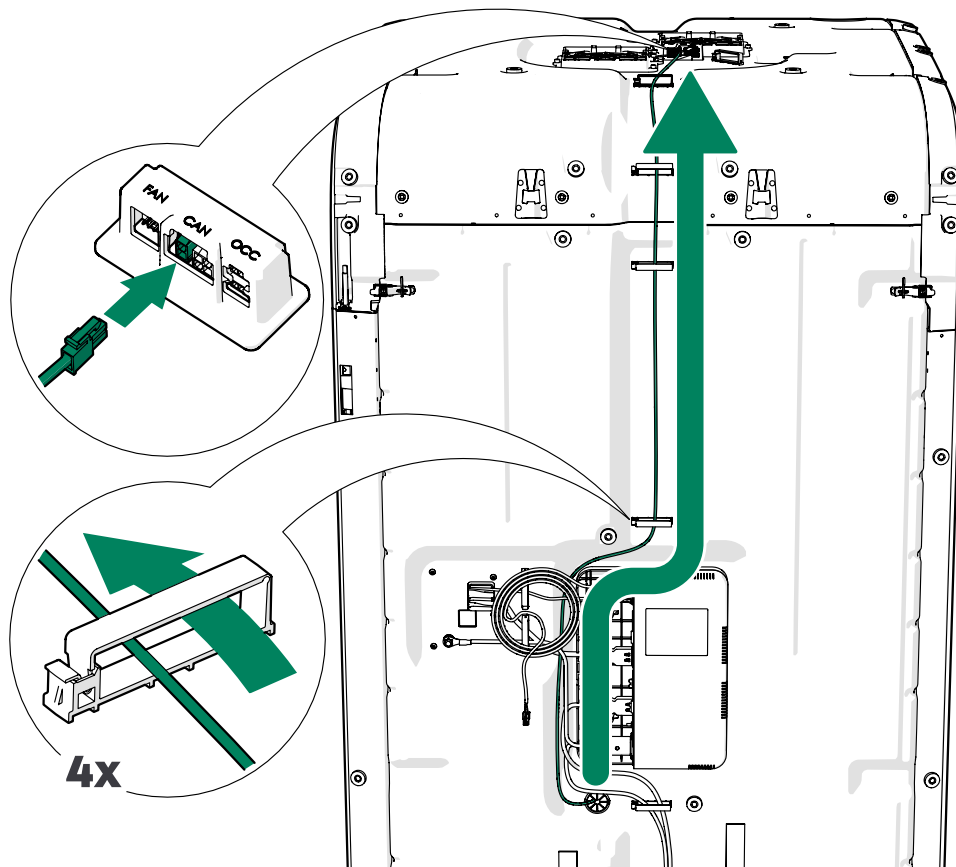


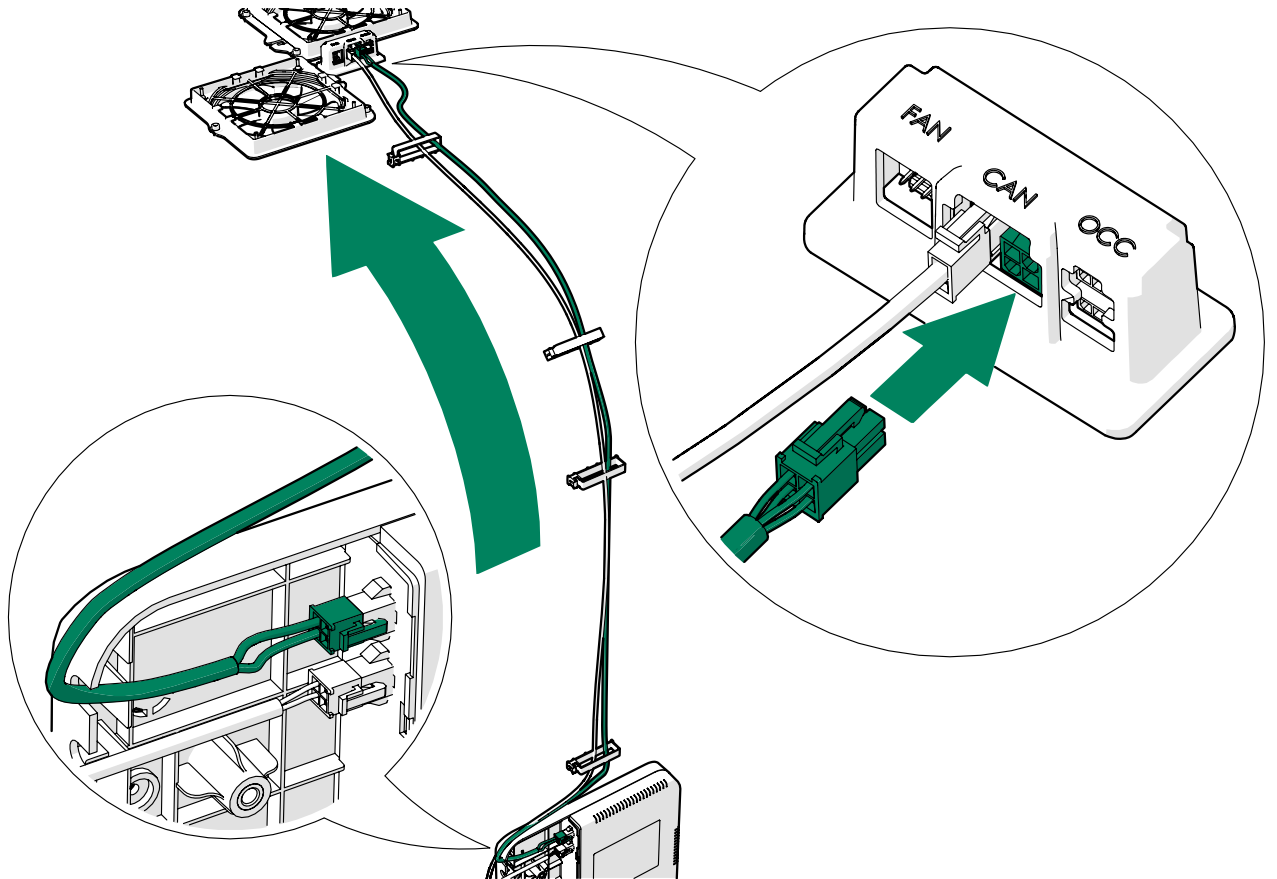
Figure 9: * = Optional component

13.2 Connect the electrical cords to the control hub

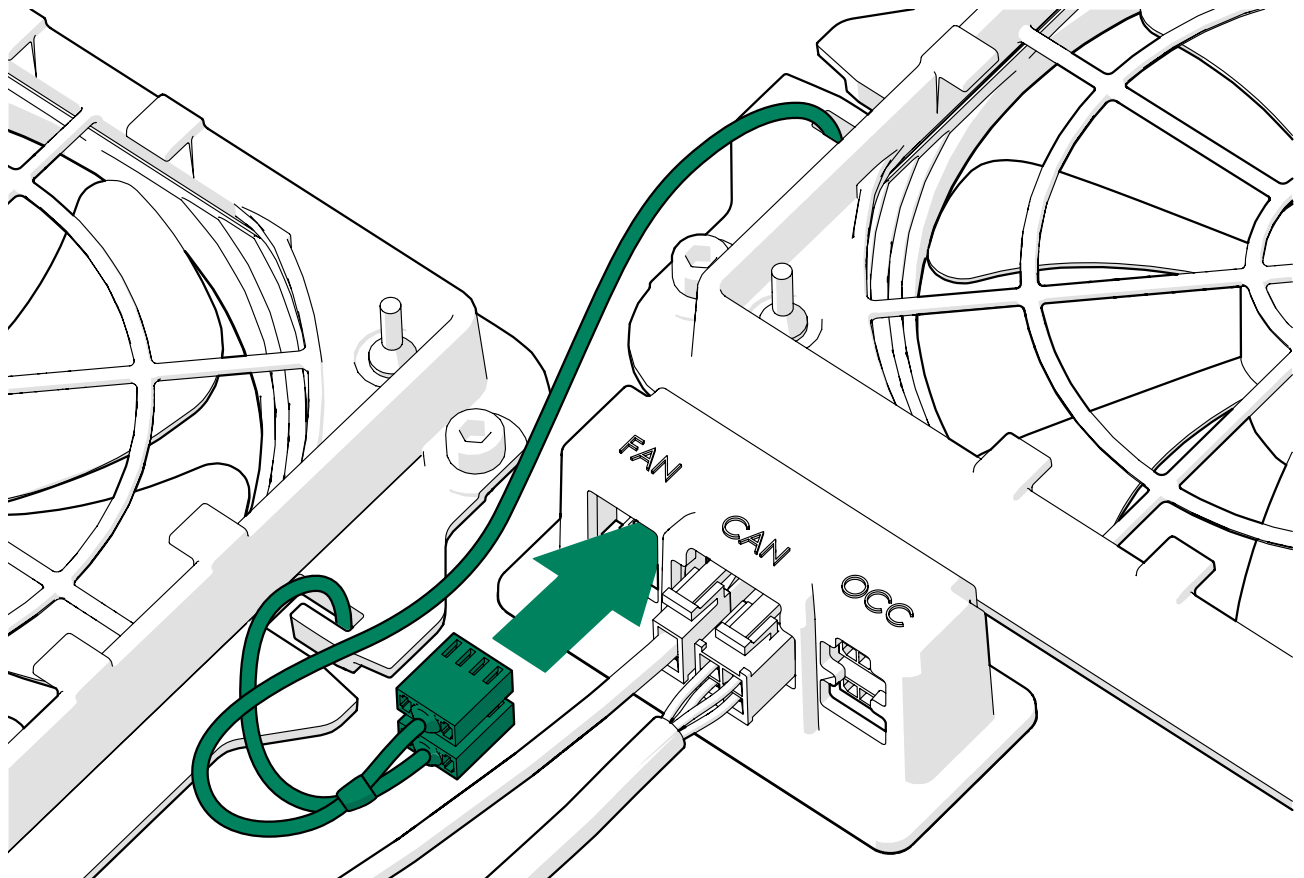
1.



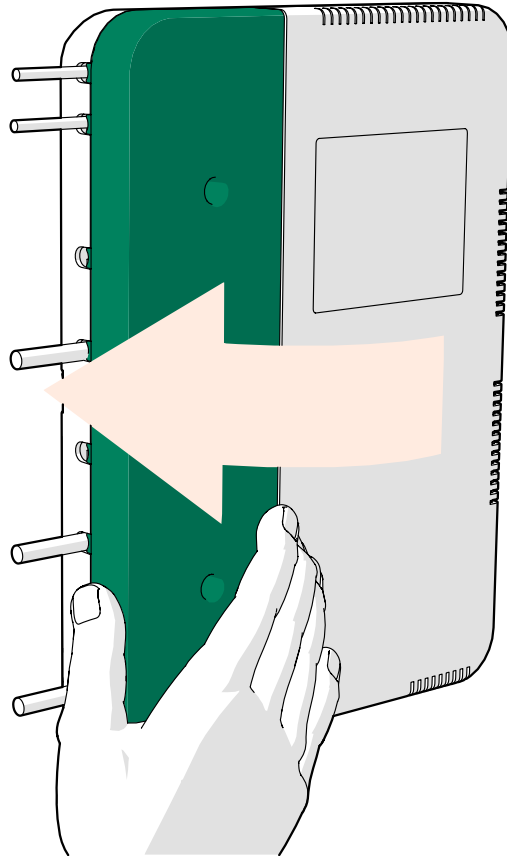
2.



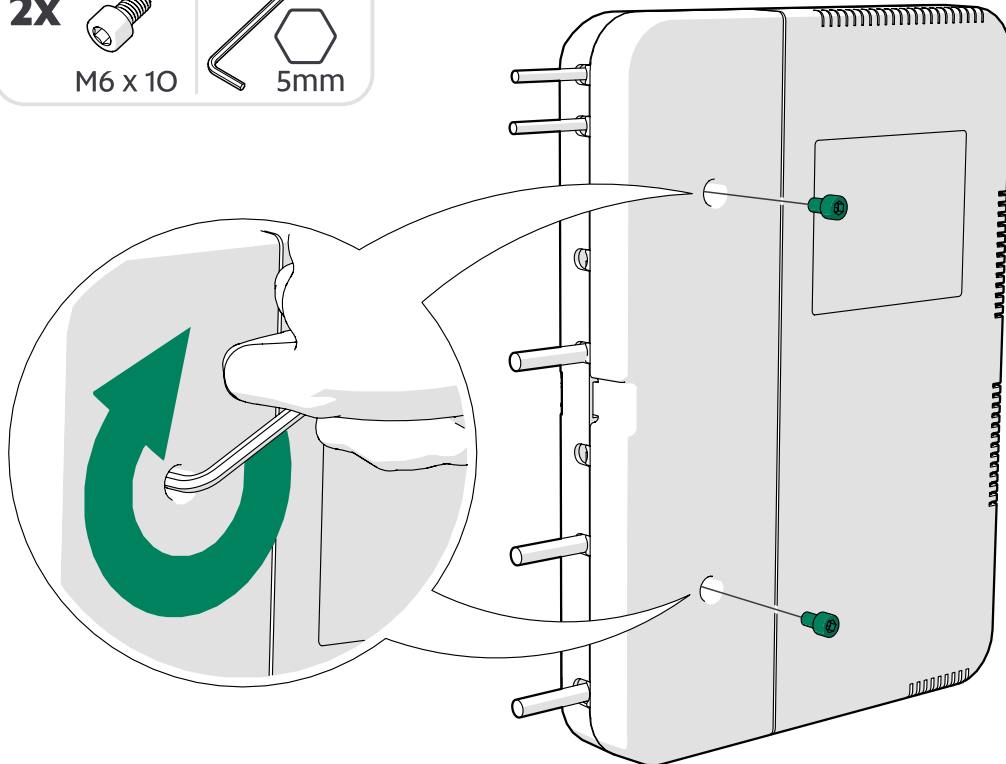
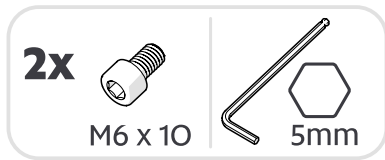
3.



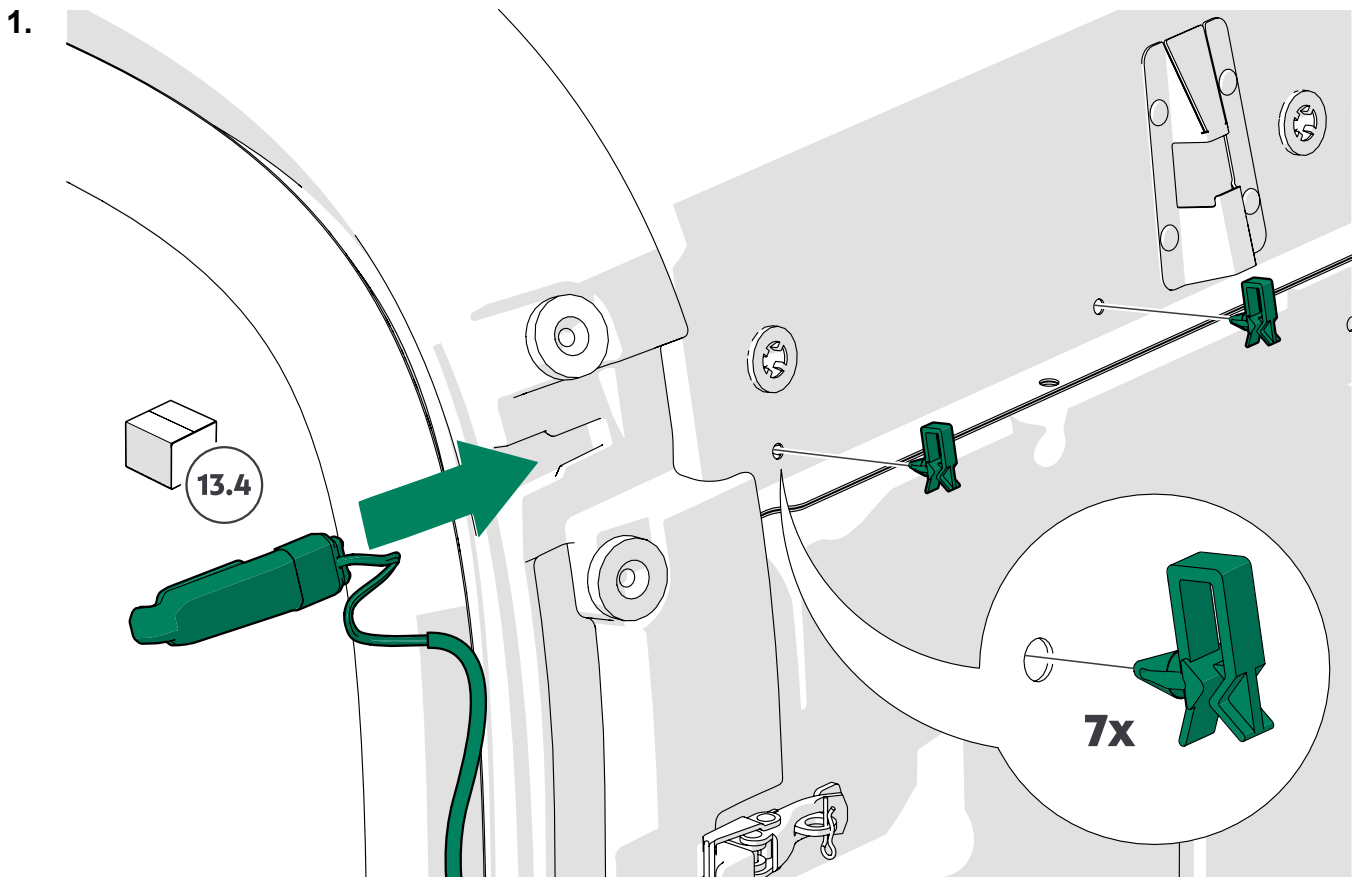
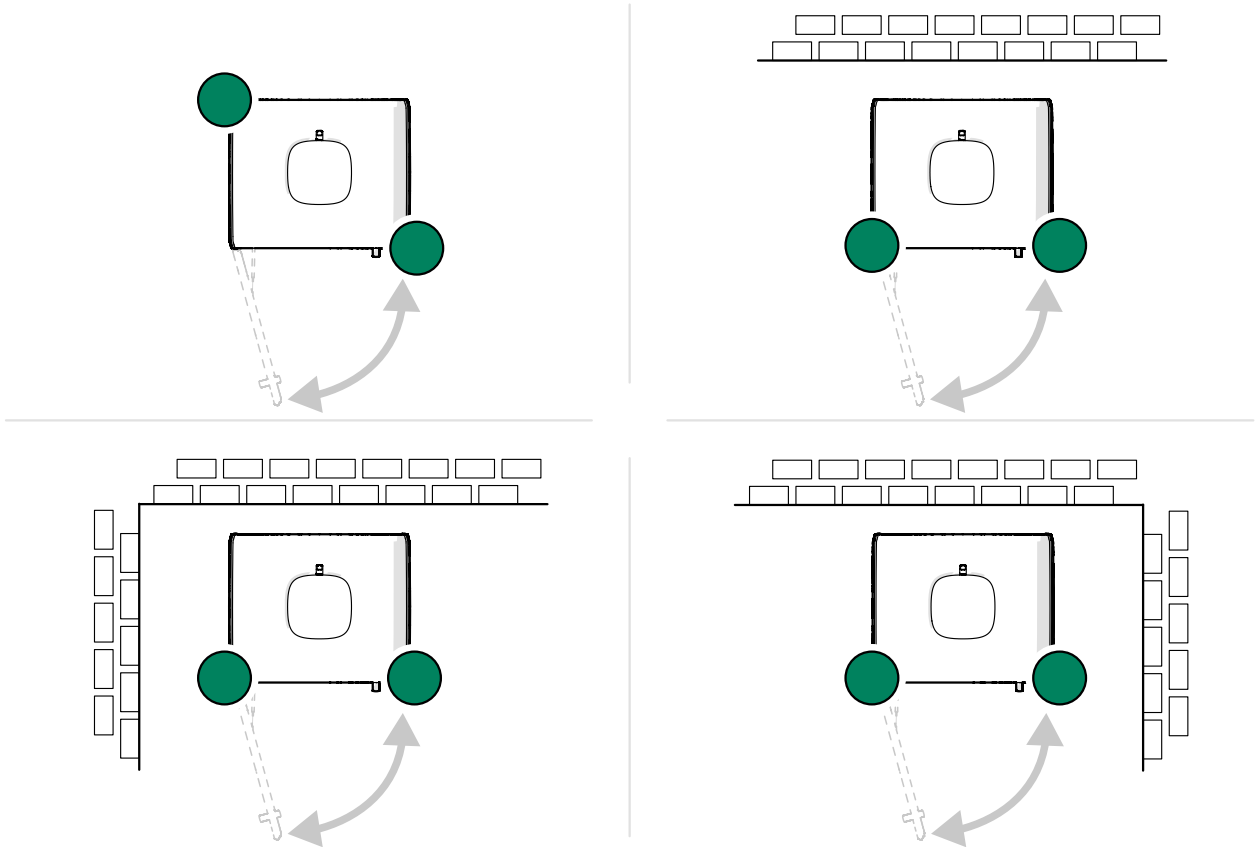
4.



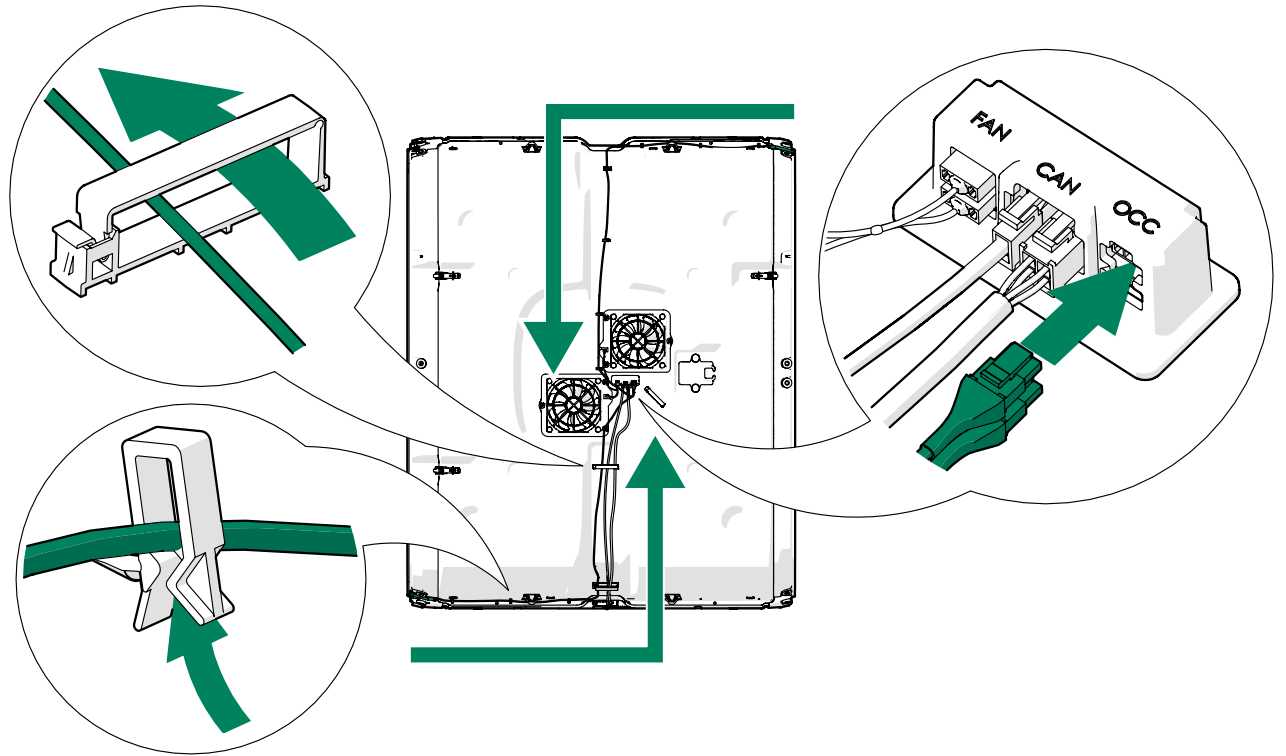
5.



13.3 Install the occupancy indicator lights



2.



14 Install the body covers

14.1 Install the roof body cover

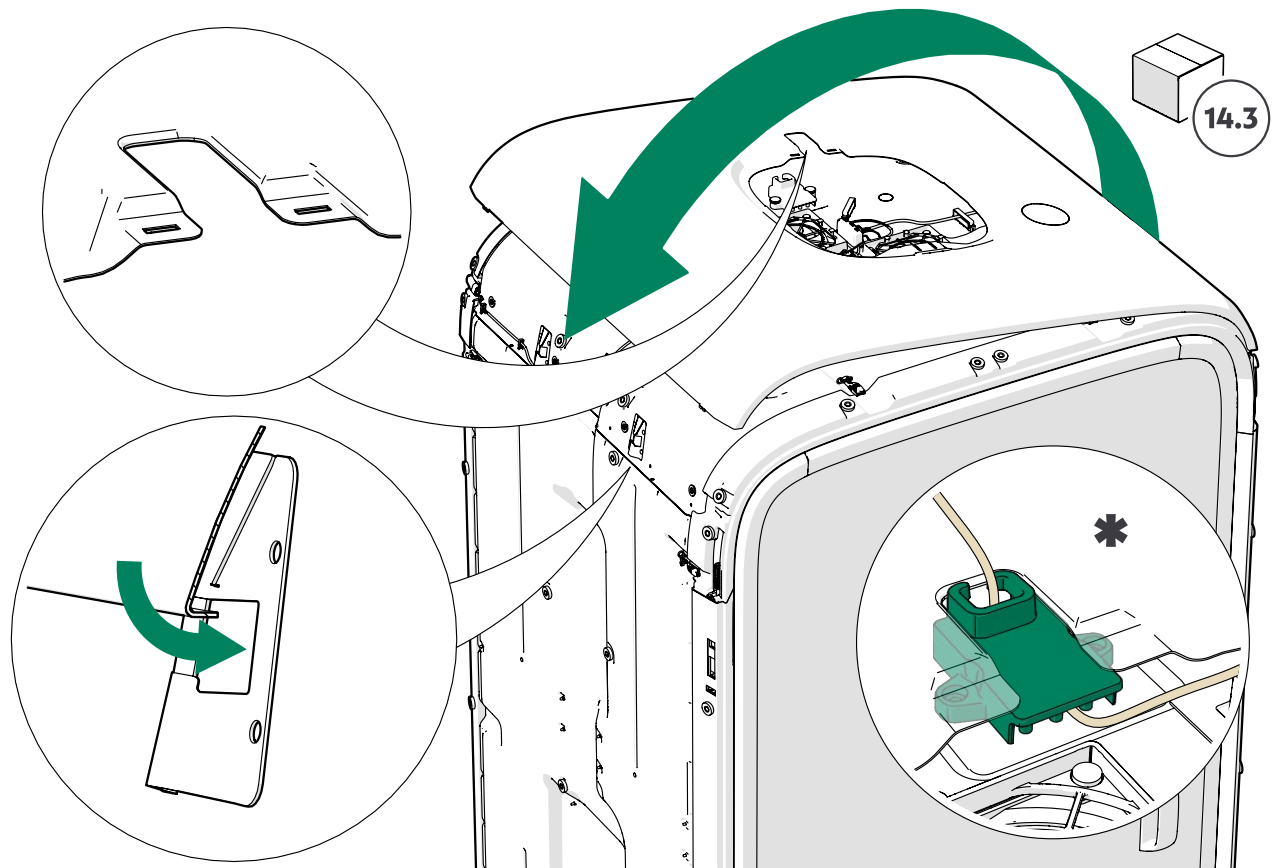
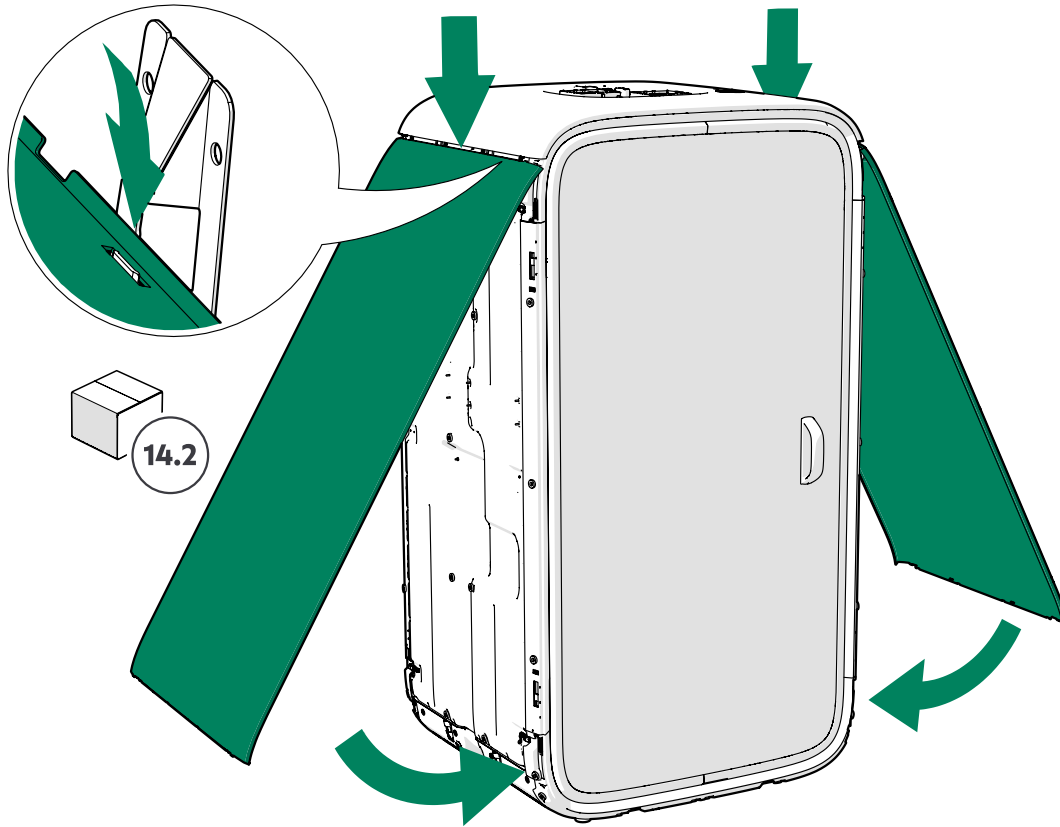


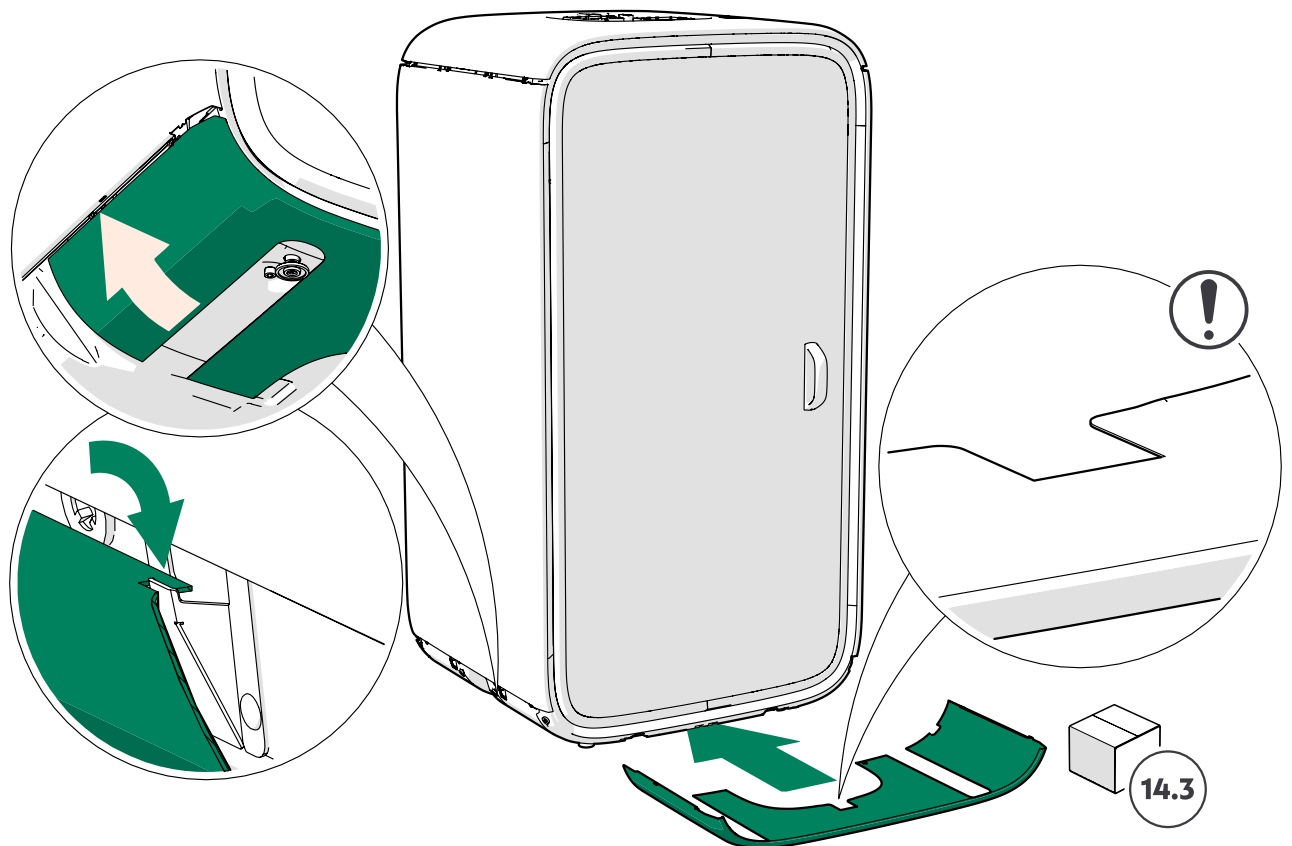
Figure 10: * = Power cord routed through the roof.

14.2 Install the wall body covers

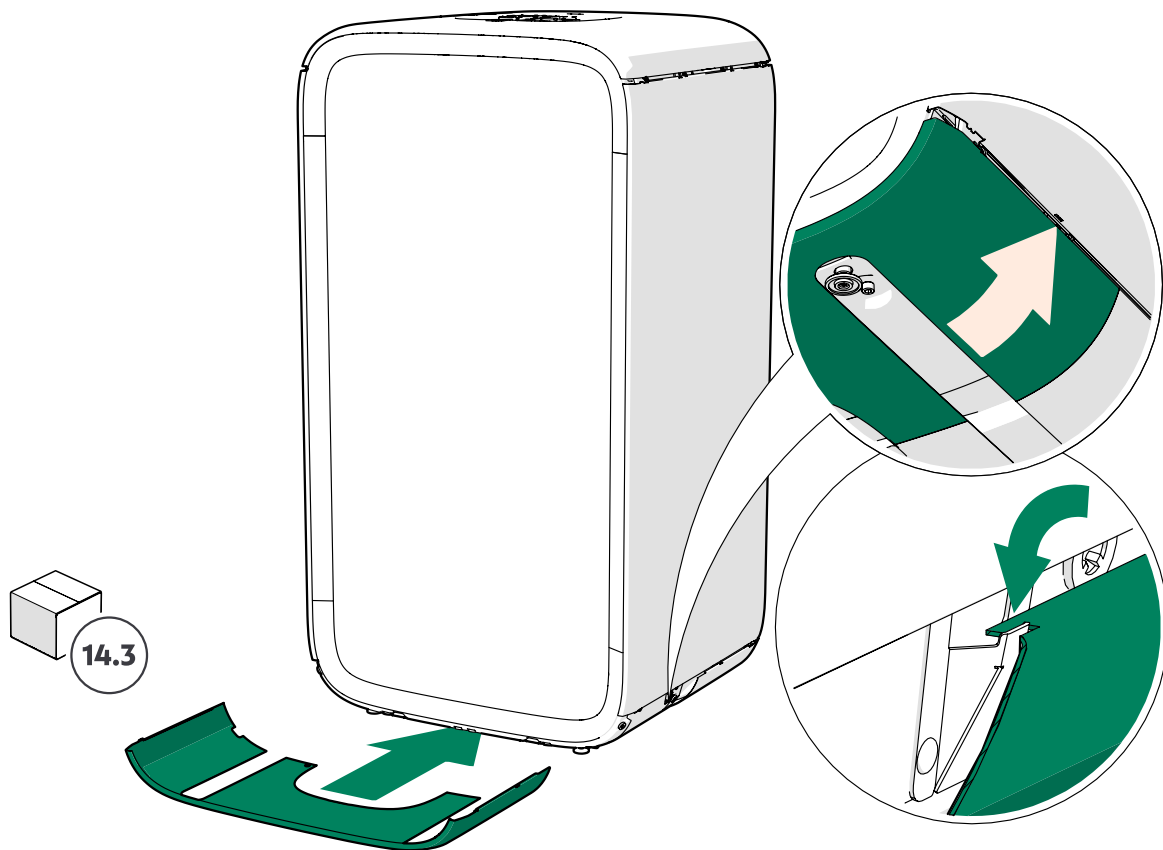


14.3 Install the floor body covers

1.

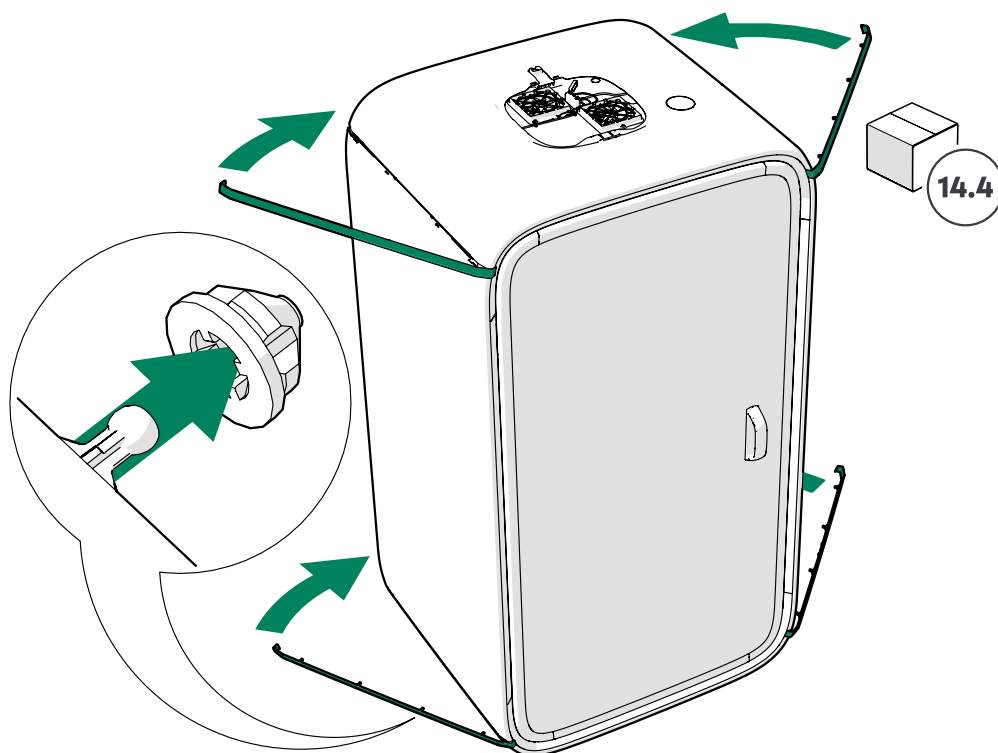


2.



14.4 Install the plastic trims and fan cover

1.



2.

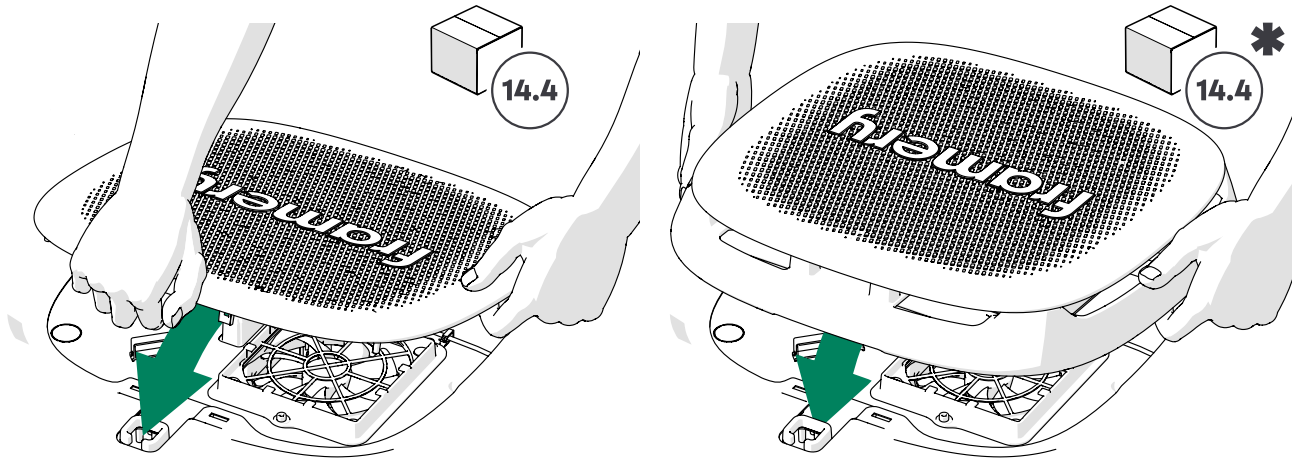
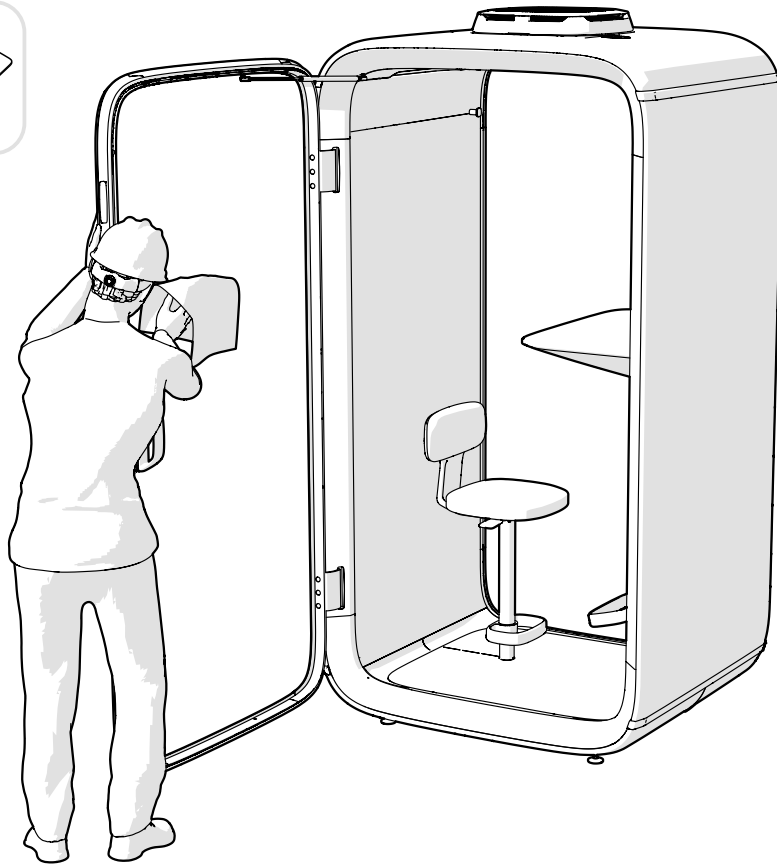
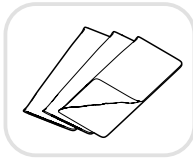


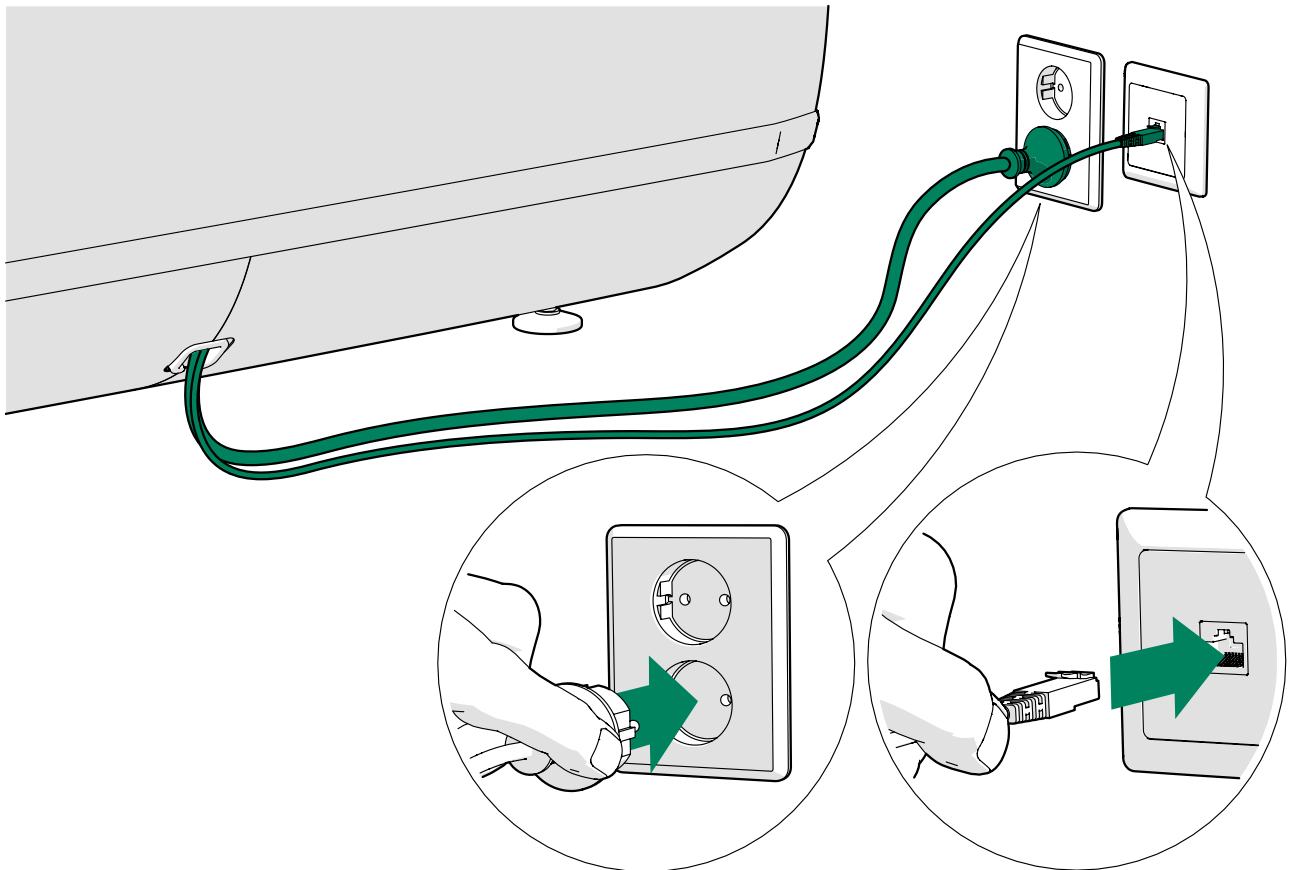
Figure 11: * = With the optional activated carbon filter

15 Finalize the installation

1.



2.



15.1 Check the functionality of the height-adjustable table

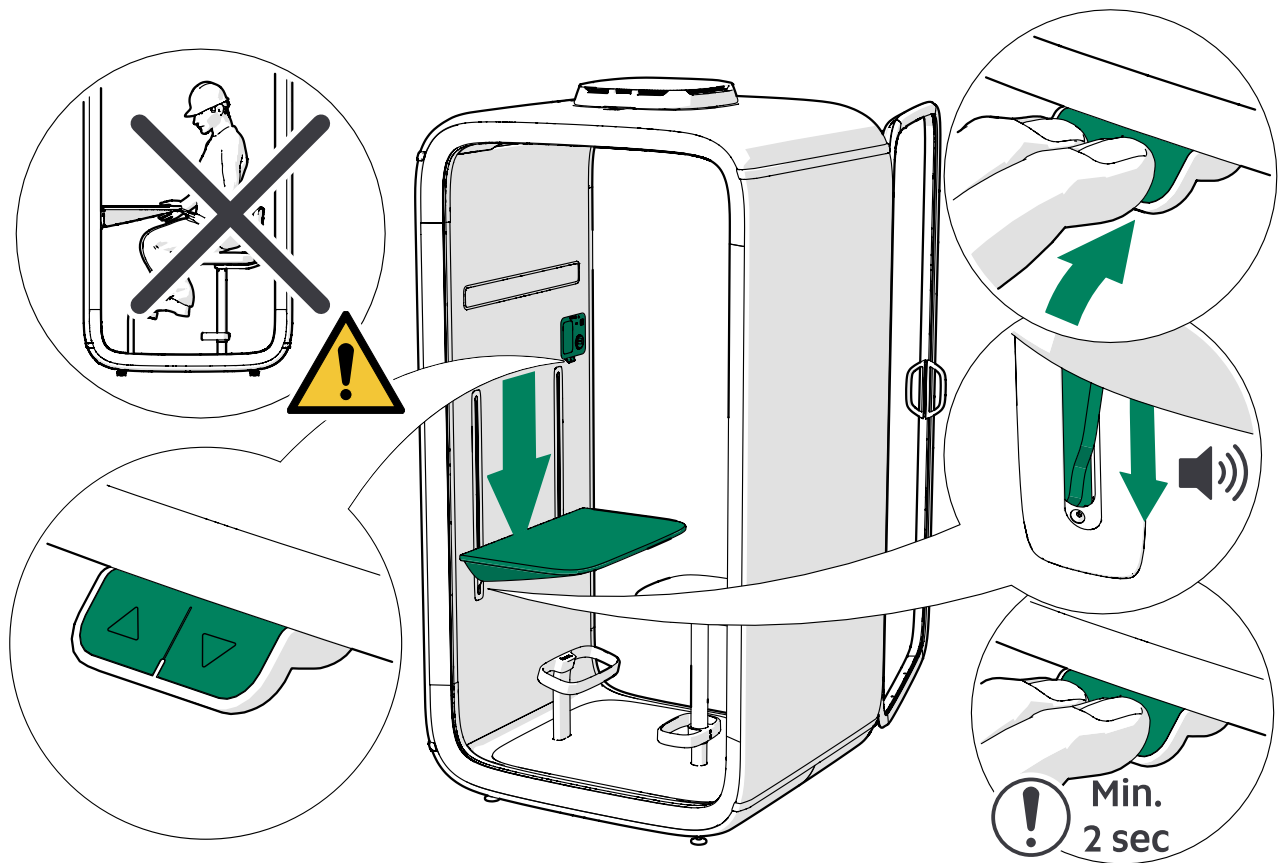
Press the buttons on the table handset one at a time to check that the table moves smoothly up and down.

If the table does not move smoothly or to the maximum height, reset the table.

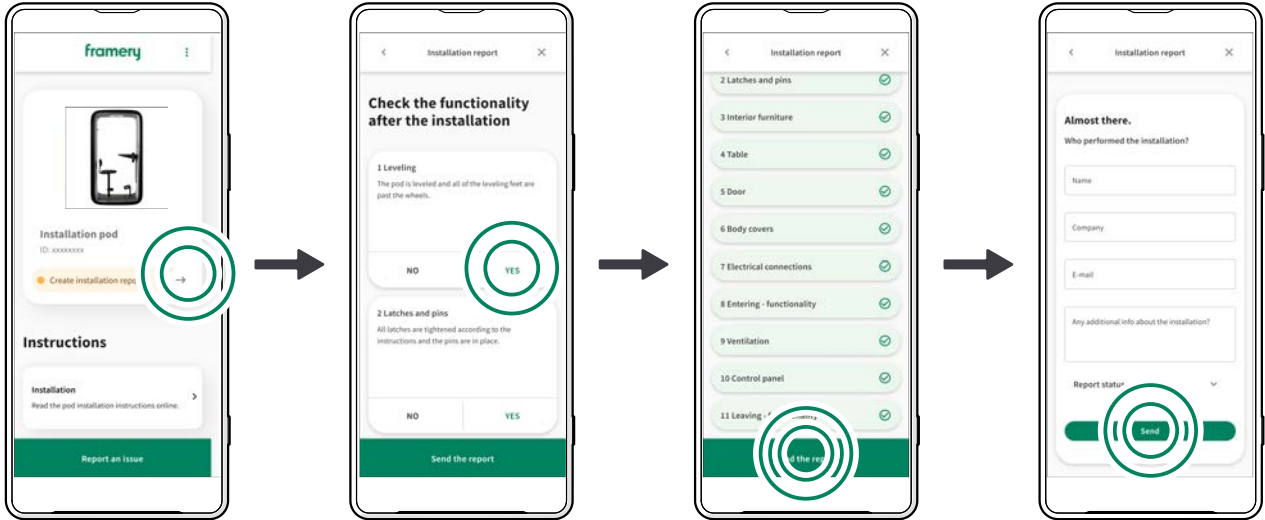
15.2 Reset the table

⚠ **Note:** The table will move down during the setup procedure. Do not sit in the chair while performing the table setup.

Continuously press both buttons on the table handset until you hear an audible signal. When you hear the signal, the reset is completed and you can release the buttons.



15.3 Fill out the installation report in the Service Tool app



framery

Framery One
Installation instructions
Patamäenkatu 7
33900 Tampere
FINLAND
VAT: FI 23527139