

Smart pod kit
Installation instructions

English
Version B.1
Tampere, Finland 24.04.2026

Contents

1 Smart pod kit contents.....	3
2 Tools required.....	4
3 Install the smart pod kit.....	5

1 Smart pod kit contents

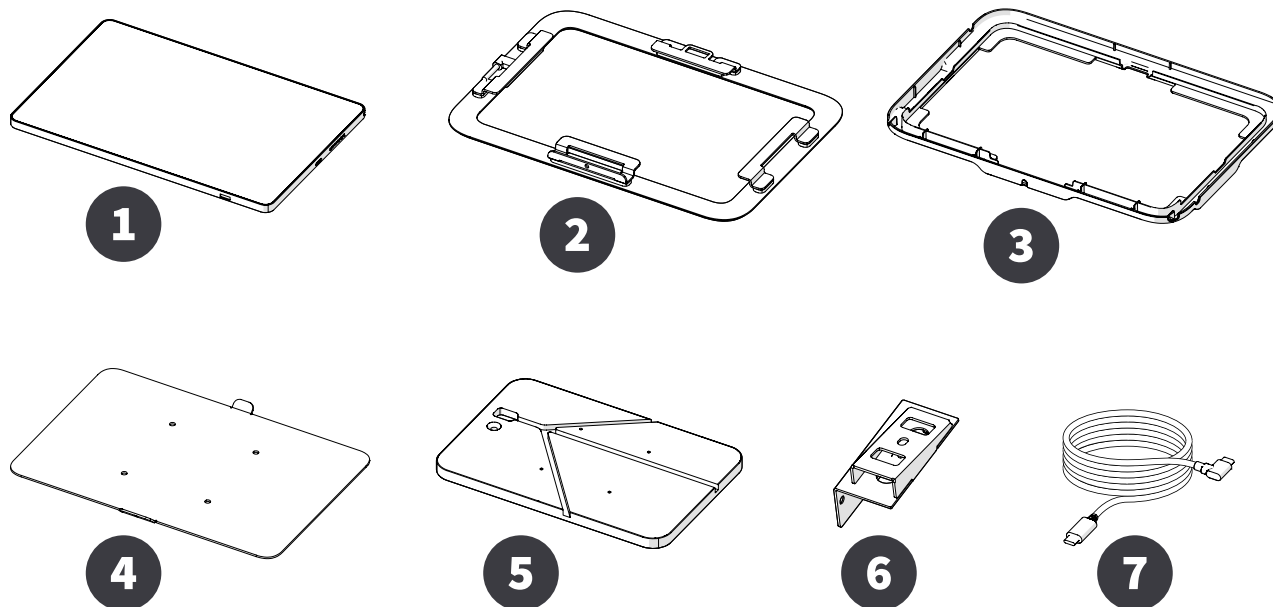


Figure 1: Smart pod kit

Number	Description
1	Tablet
2	Wall mount frame
3	Side cover
4	Mounting plate
5	Wooden back plate
6	Strike plate
7	USB-C cord

2 Tools required

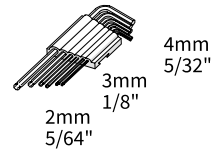
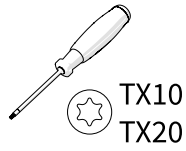
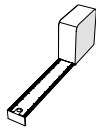
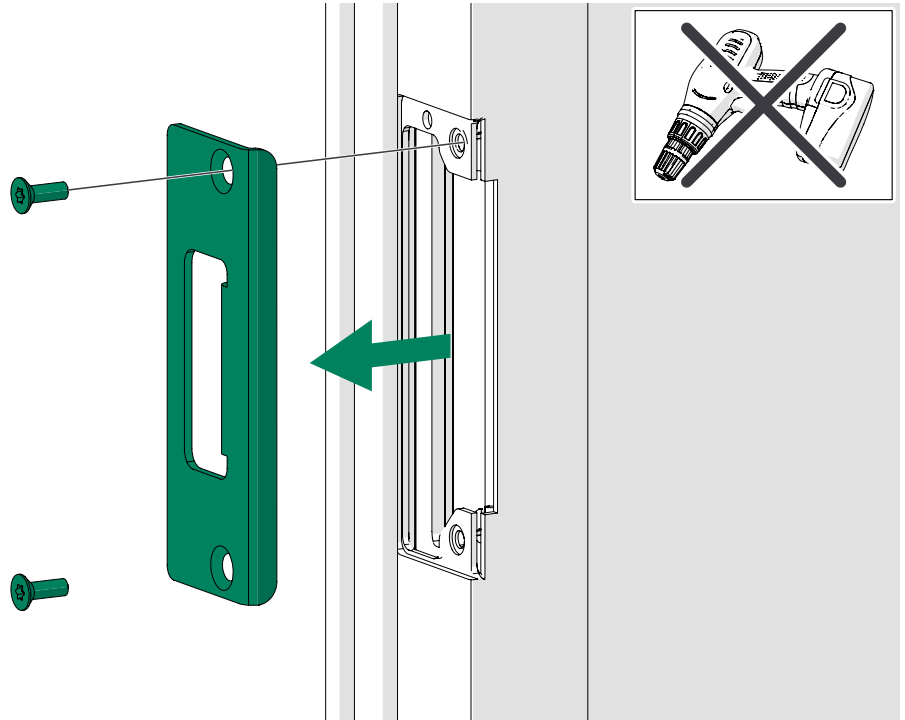


Figure 2: Tools required for installing the Smart pod kit

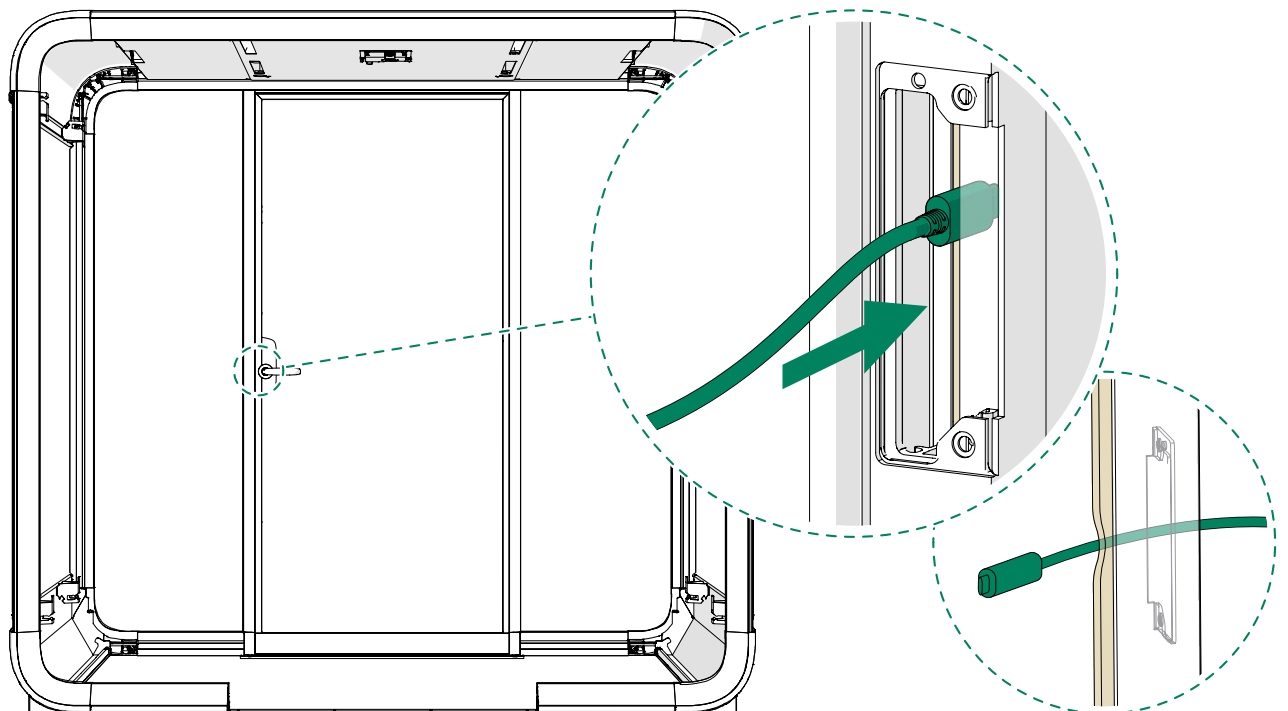
3 Install the smart pod kit

If the pod is already fully assembled, remove the lights and ceiling interior panels before you begin.

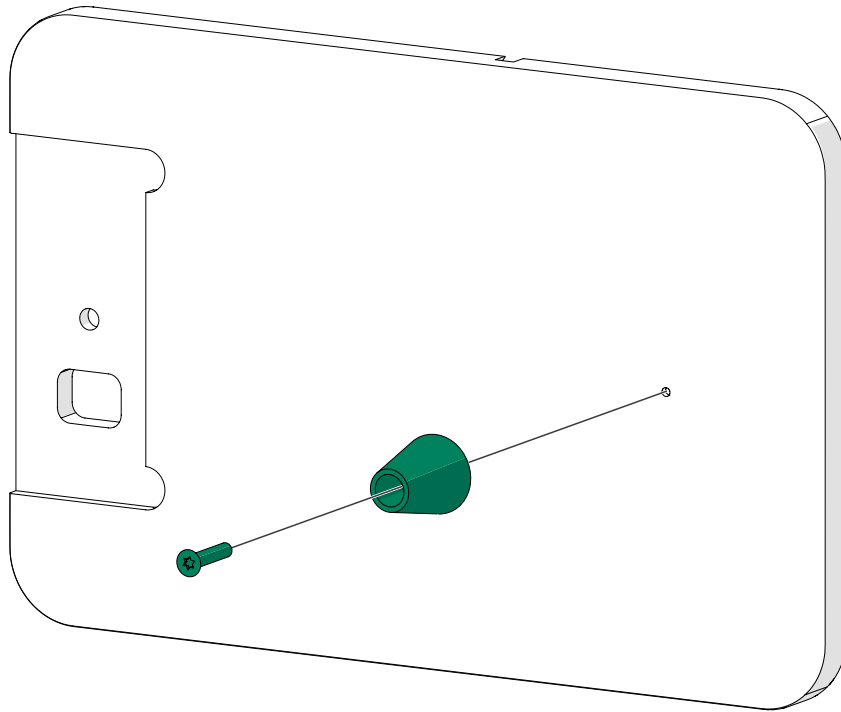
1. Remove the strike plate from the frame.
Set the screws aside for later use.



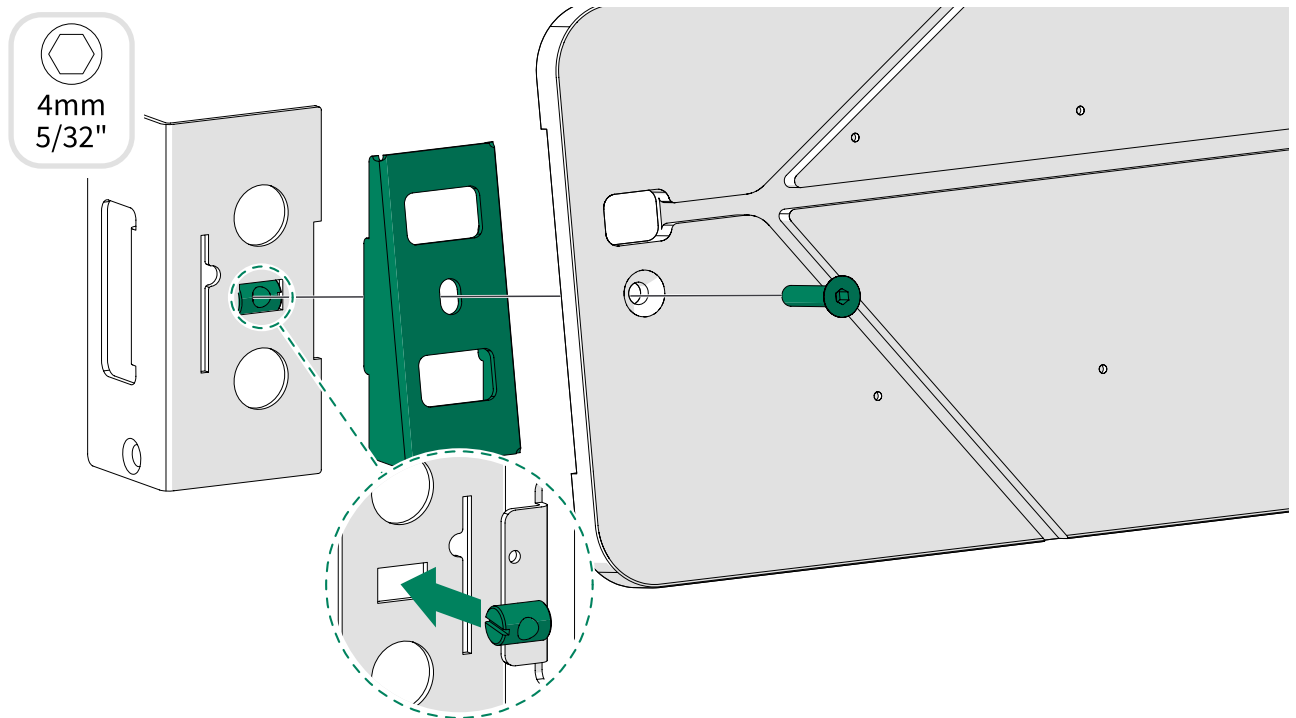
2. Guide the USB-C cord through the frame and gasket.



3. Install the rubber spacer on the wooden back plate with a 4x20 screw.



4. Assemble the exterior tablet mount with one M6x30 screw and one M6 barrel nut. Hold the nut in the slot while tightening the screw.



5. Install the exterior tablet mount to the frame with the screws set aside earlier. Do not tighten the screws fully.

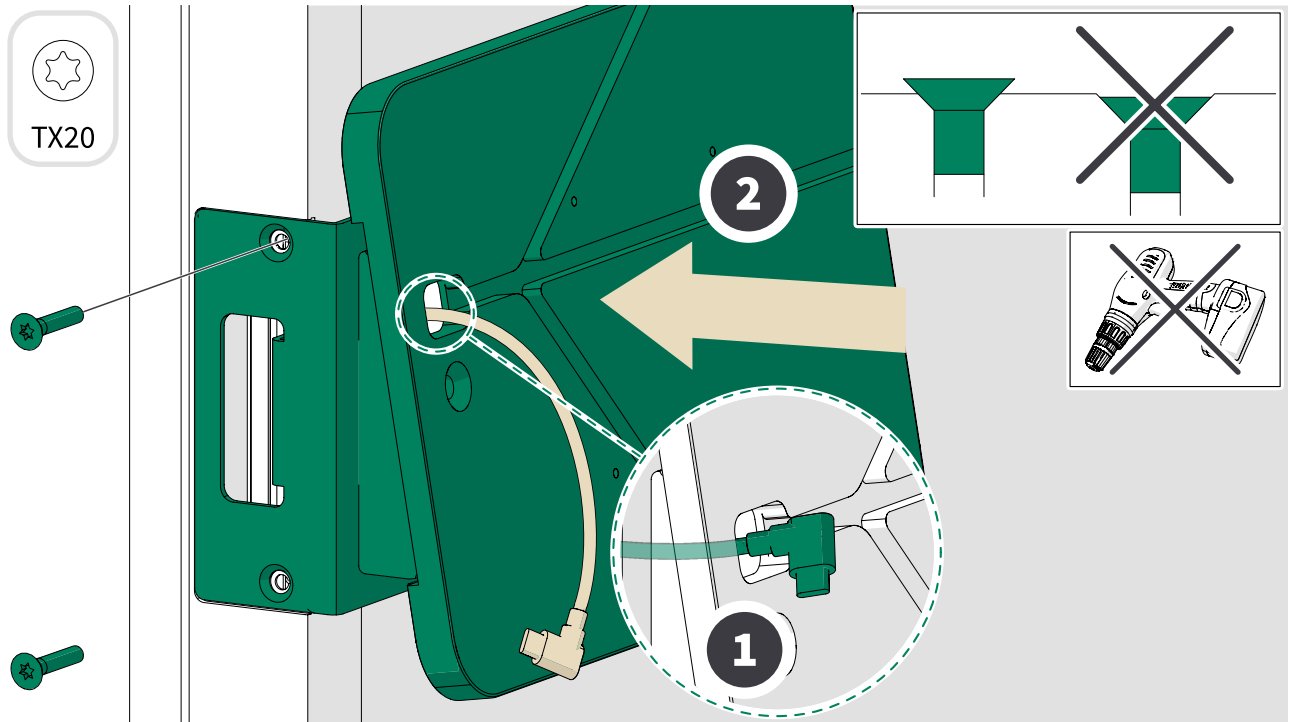


Figure 3: The tablet installed on the right side of the door

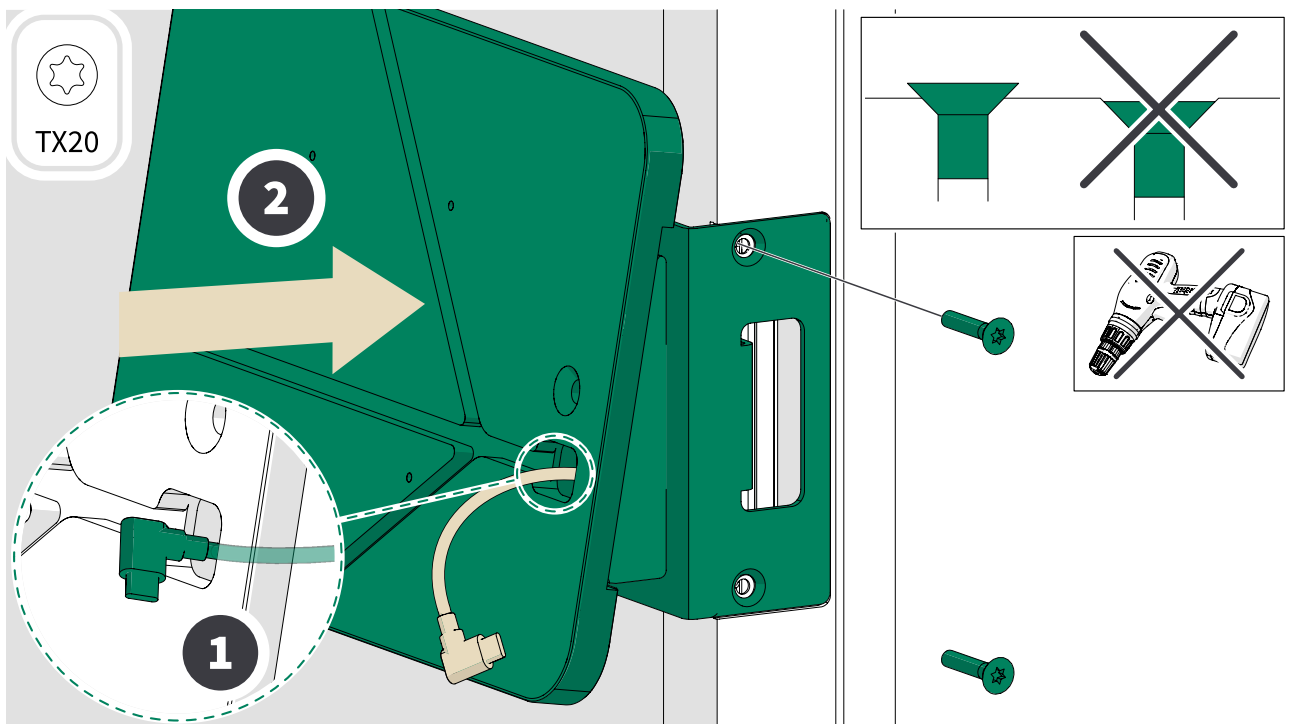
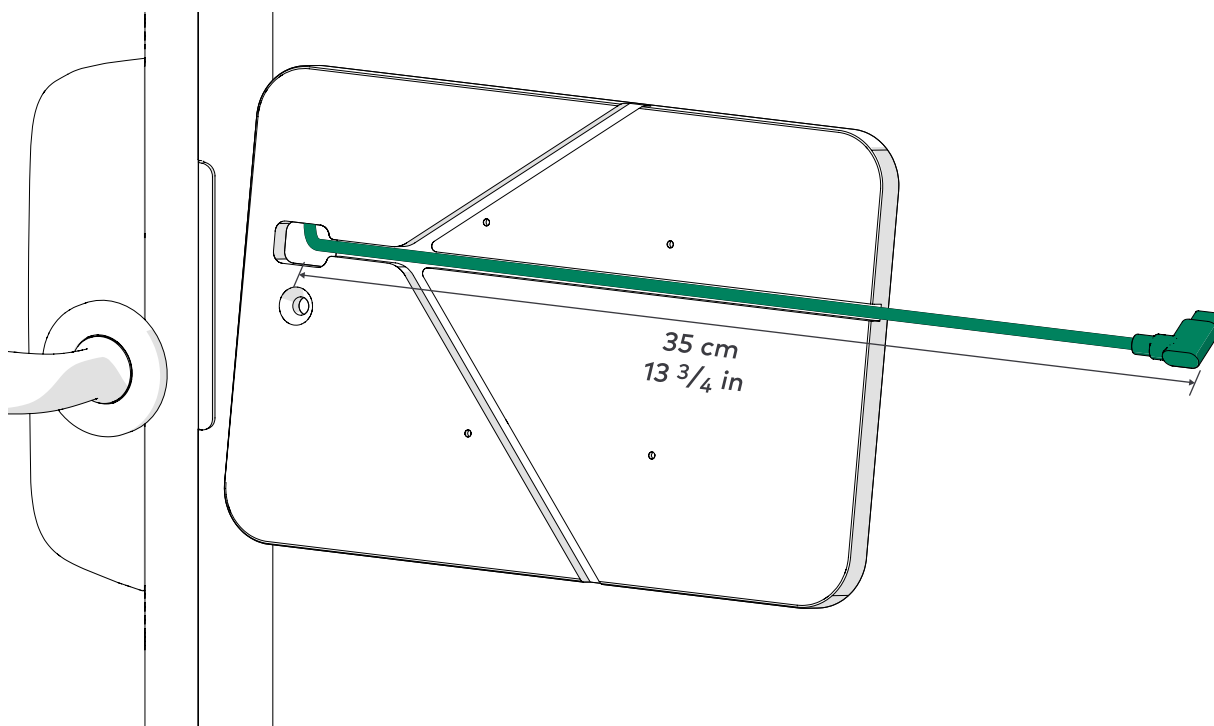


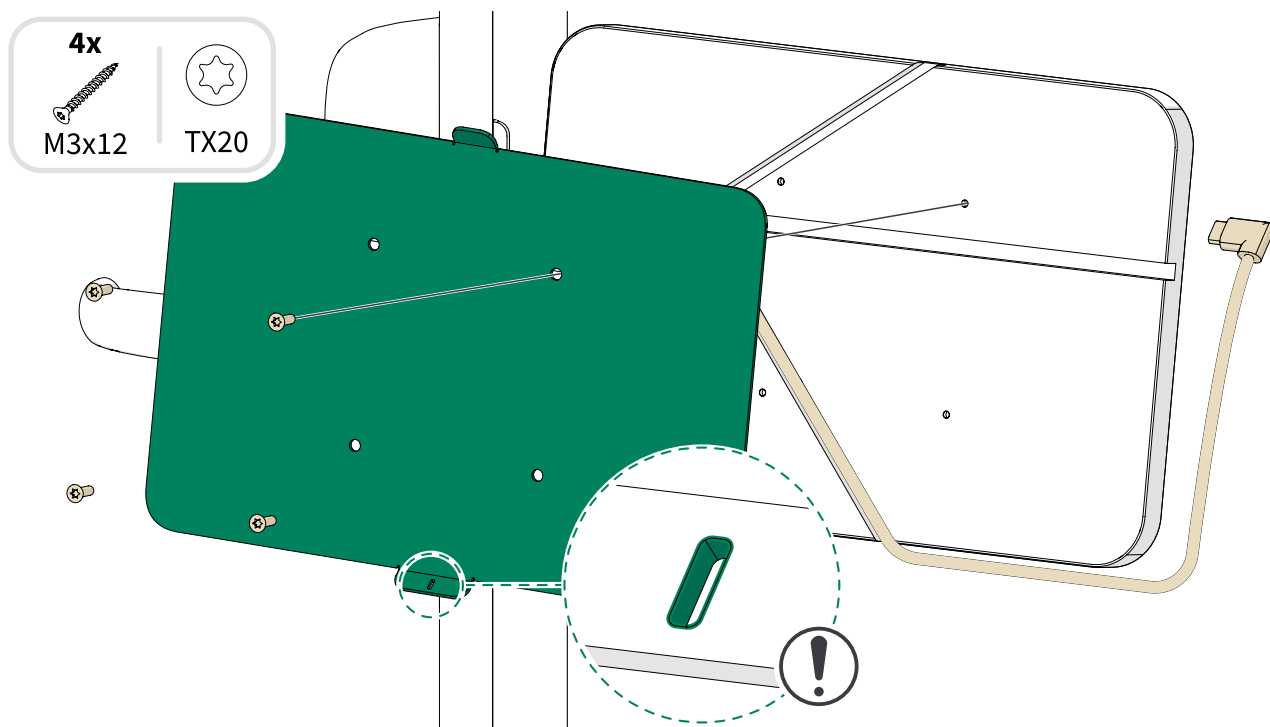
Figure 4: The tablet installed on the left side of the door


6. The USB-C cord length must be adjusted to correct length.

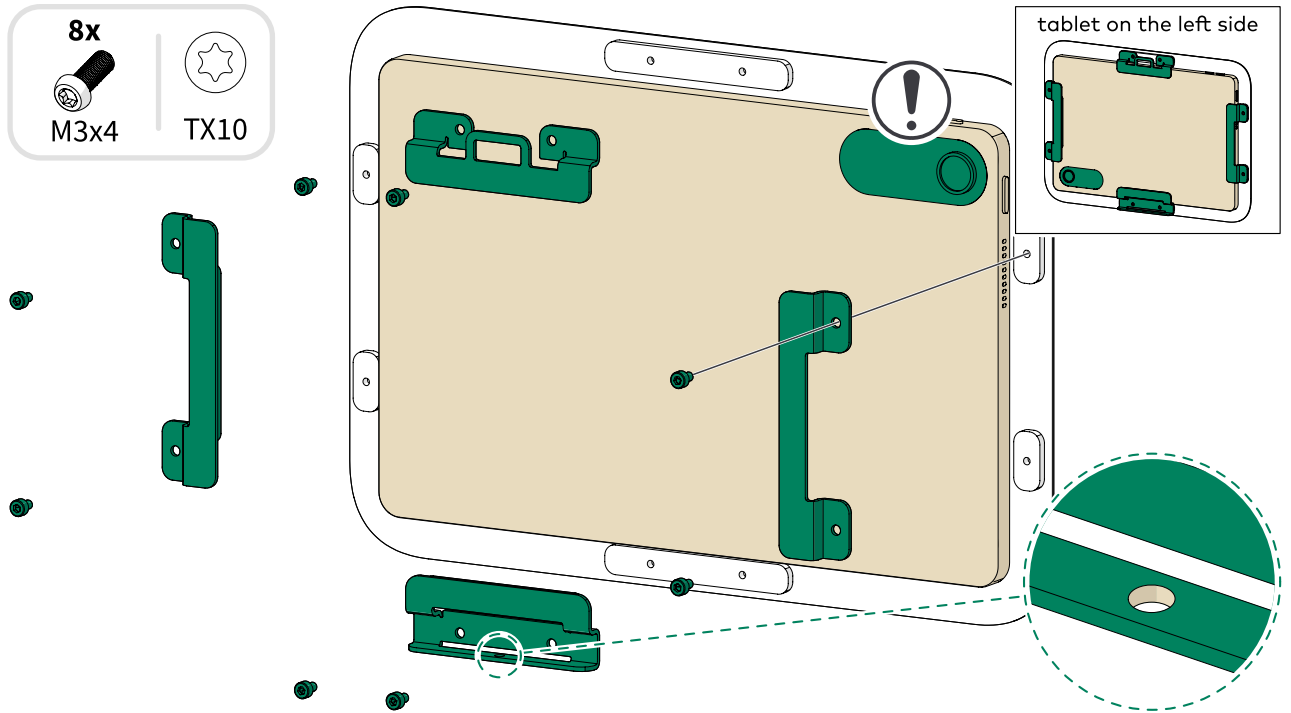
⚠ **Note:** In left side installation, the correct length is 32 cm / 12 9/16 in.



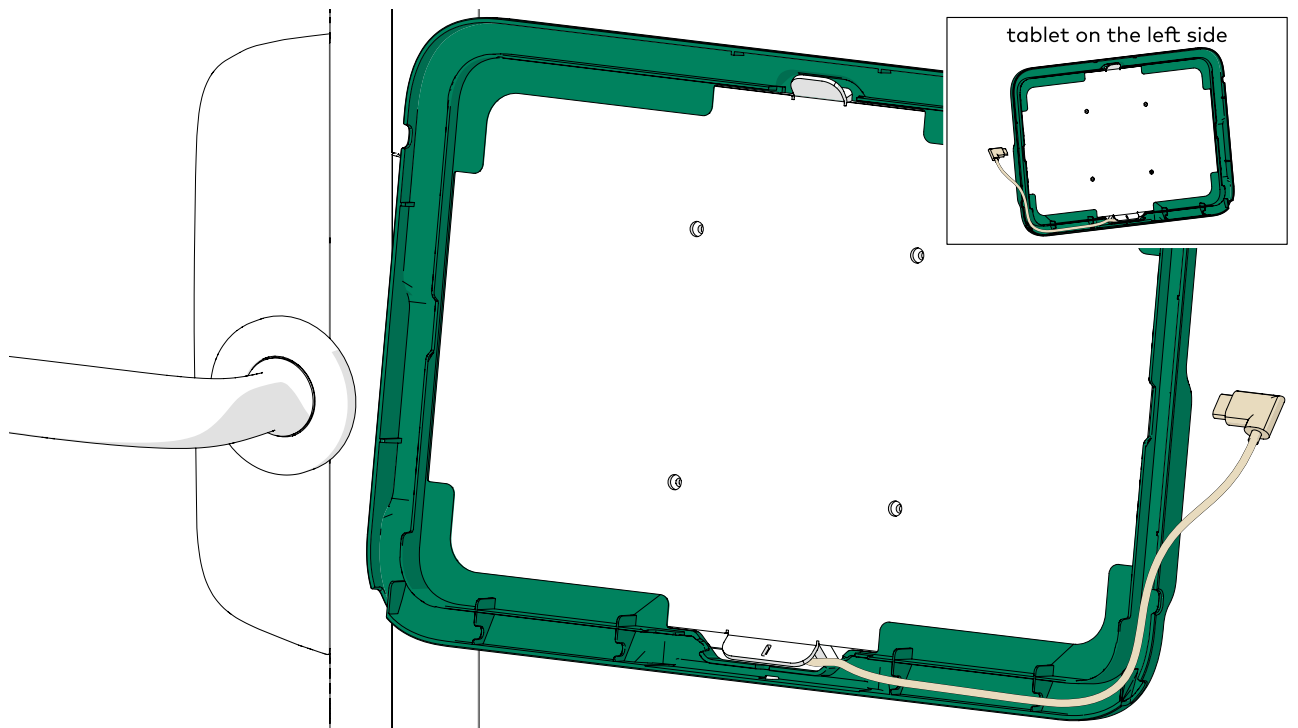
7. Install the mounting plate to the back plate with the wood screws provided. The cord must always be routed from the lower recess.



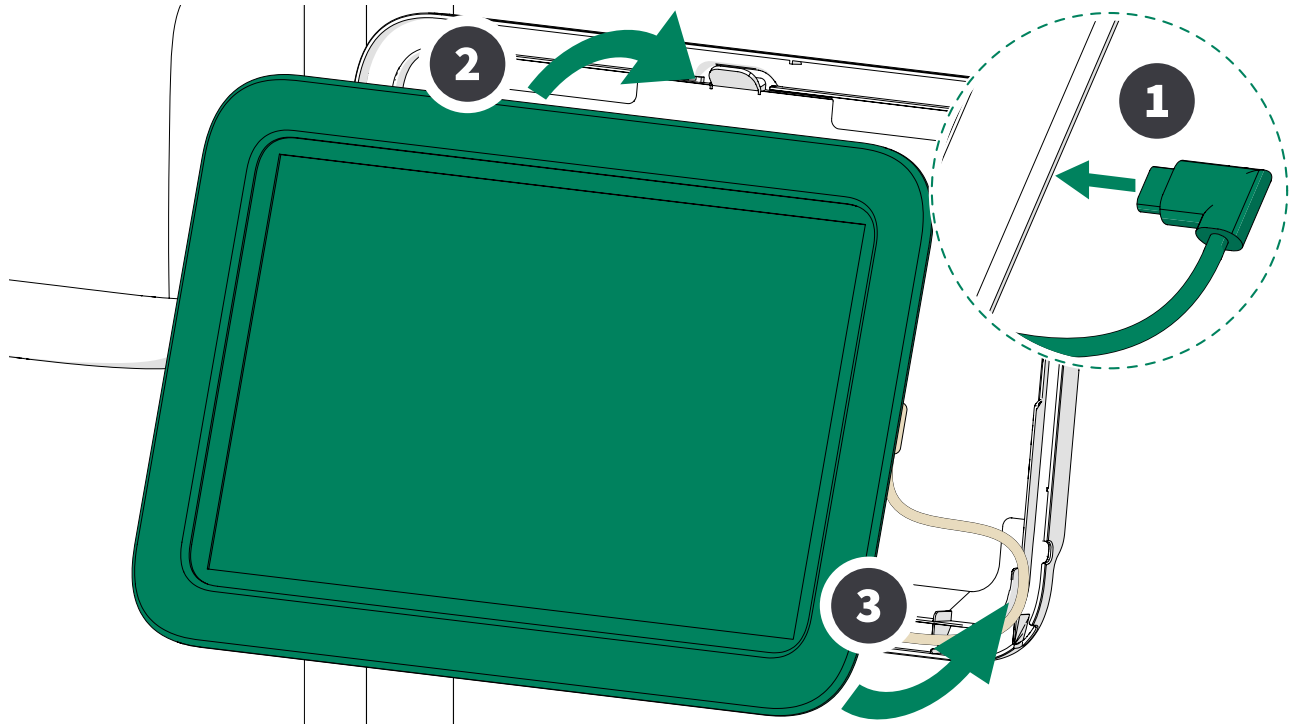
8.  **Note:** Make sure that the tablet is aligned with the wall mount frame.




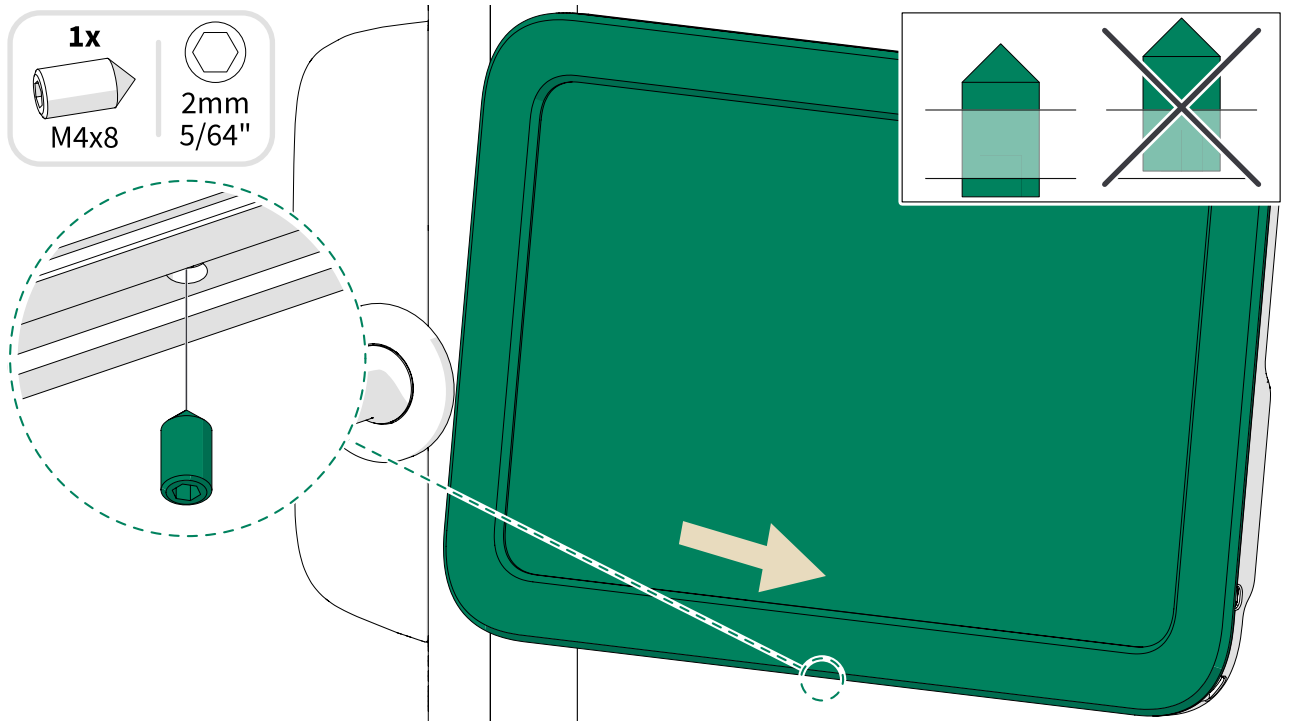
9. Set the side cover in place and make sure that the USB-C cord length is as shown.



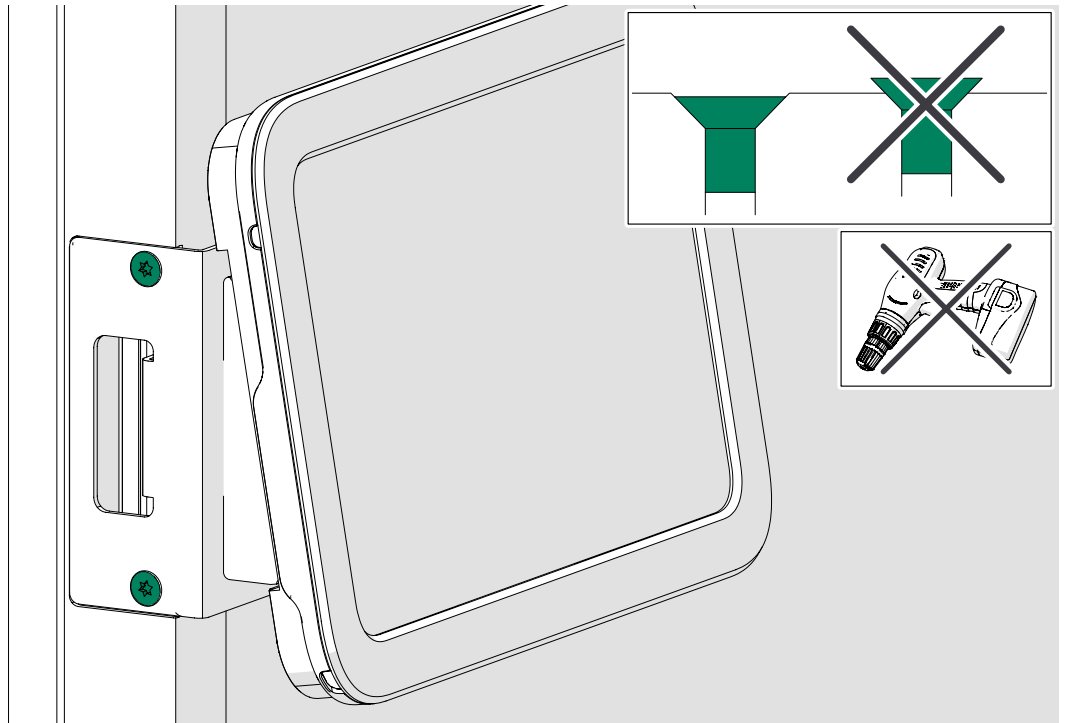
10. Guide and connect the cord. Hang the tablet assembly from the top and press all the parts together from the bottom.



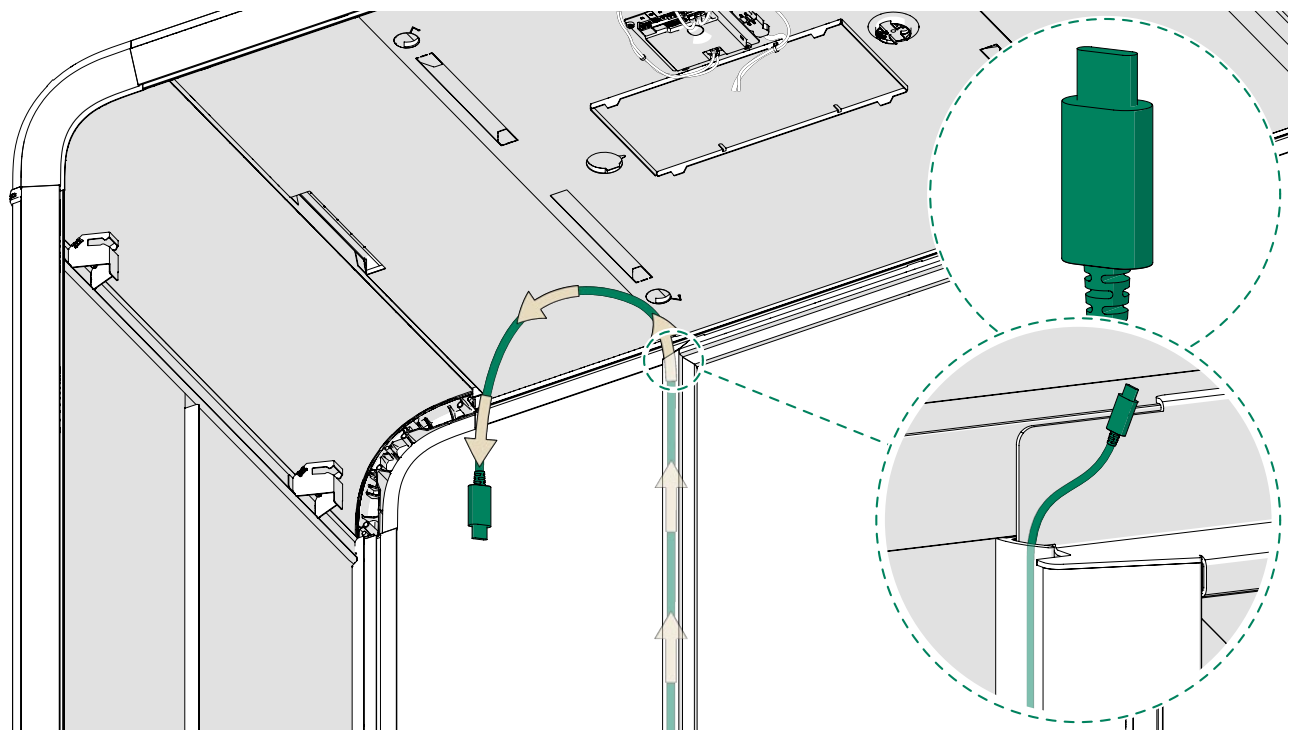
11.  **Note:** Do not overtighten the screw.



12. Tighten the screws.



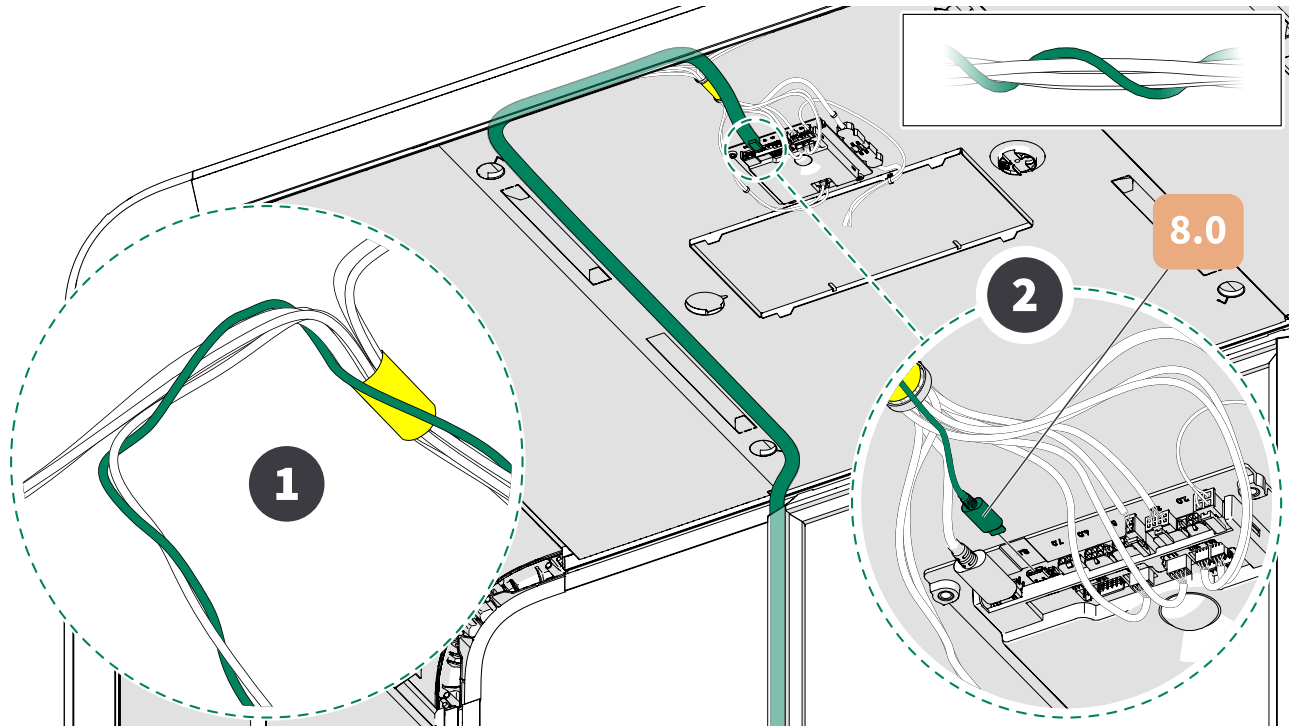
13.



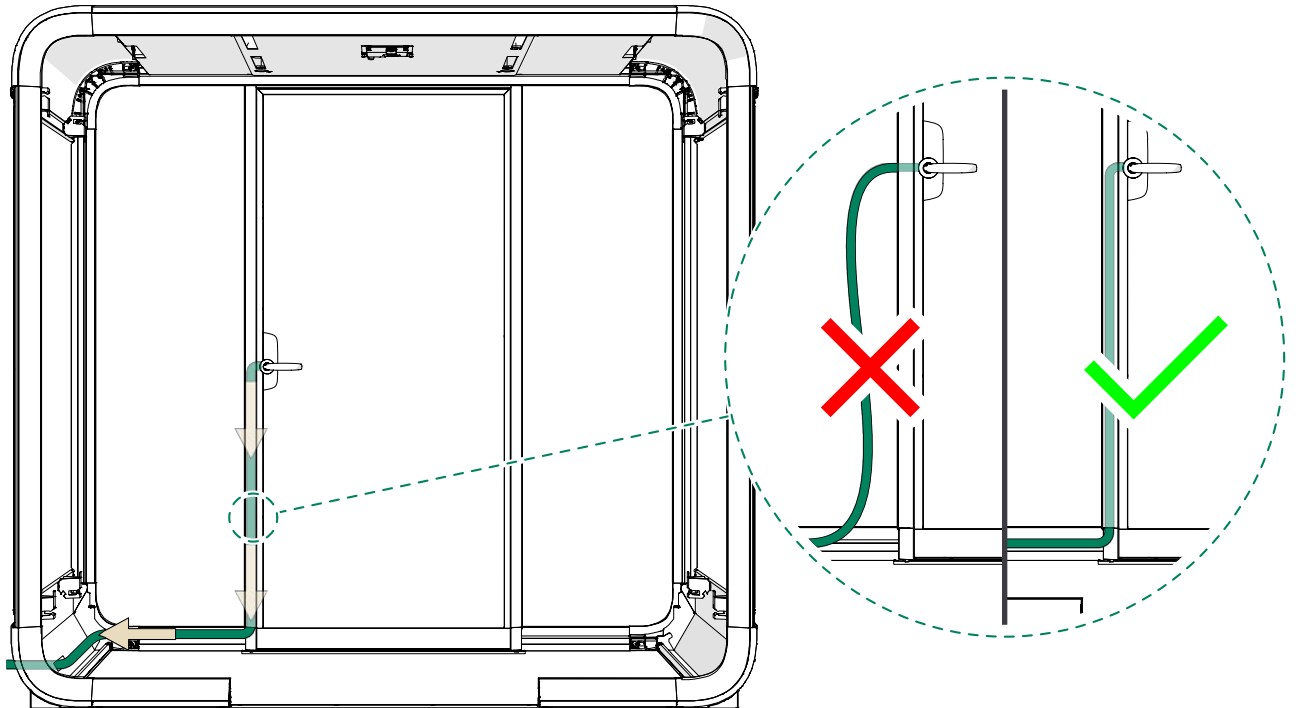
14.



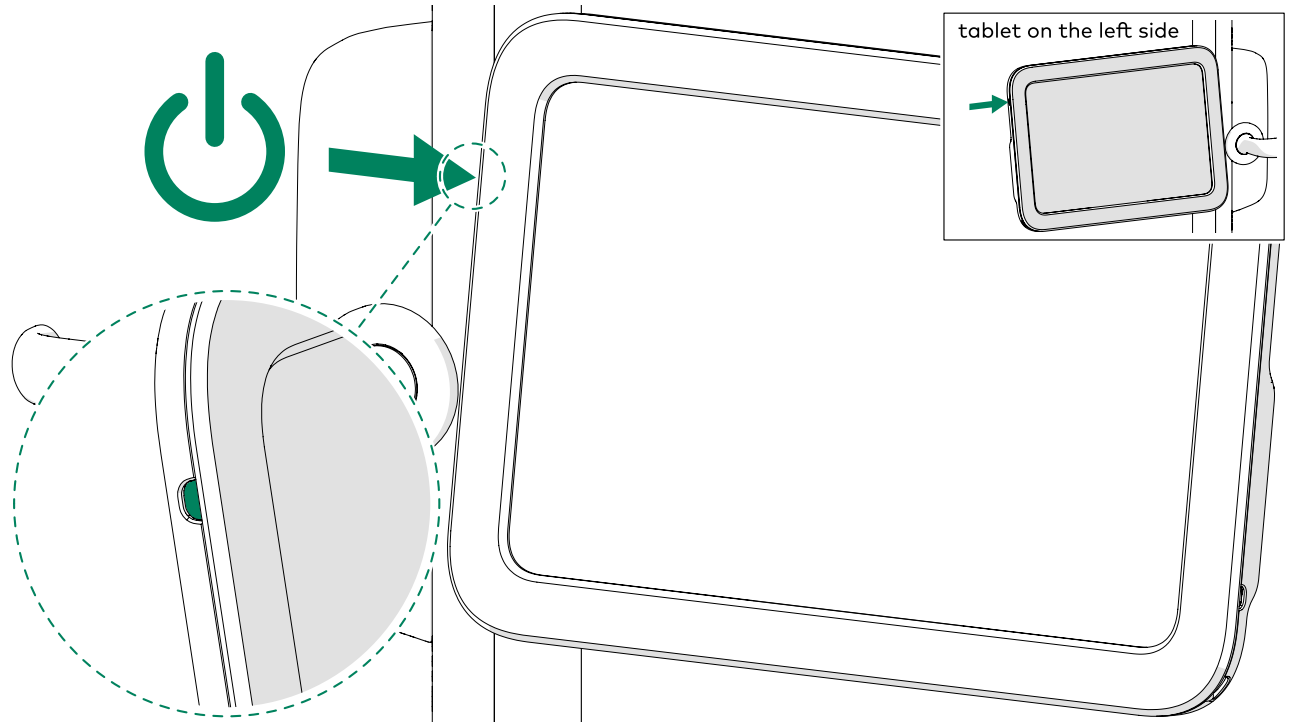
Note: Make sure that the cord does not cover the core unit. Route the cord around it.



15. If the tablet is powered by some other cord than USB-C, guide the cord down or up along the frame and out of the pod through the same opening as the pod power cord.



16.



17. Continue the device pairing by following the instructions in the **smart office quick guide** or visit info.framery.com/device-pairing.

framery

Smart pod kit
Installation instructions
Patamäenkatu 7
33900 Tampere
FINLAND
VAT: FI 23527139