

Movability kit

Framery Gradus Work and Gradus Huddle

English

Version A.1

Tampere, Finland 29.05.2026

Contents

1 Important safety and product instructions.....	3
1.1 Preface.....	3
1.2 Product information.....	3
1.3 Copyright.....	3
1.4 Manual contents.....	3
2 Disassemble the necessary parts.....	4
3 Install the movability kit and move the pod.....	7
4 Adjust the door.....	13
5 Reinstall the removed parts.....	16

1 Important safety and product instructions

1.1 Preface

This instruction manual describes the installation of the product. Everyone involved in installing the product must read and understand the contents of the installation and safety instructions.

This instruction manual gives you necessary information for the correct installation of the product.

For complete product and safety instructions, see **help.framery.com**.

1.2 Product information

The information in this manual corresponds to the product at the time of delivery. All information included in this manual is valid at the time of publication.

1.3 Copyright

This document must not be copied, presented, or delivered to a third party without explicit permission from Framery. The use of this document for any purpose other than those allowed by Framery is prohibited. Framery reserves the right to change the instructions related to the product without separate notice.

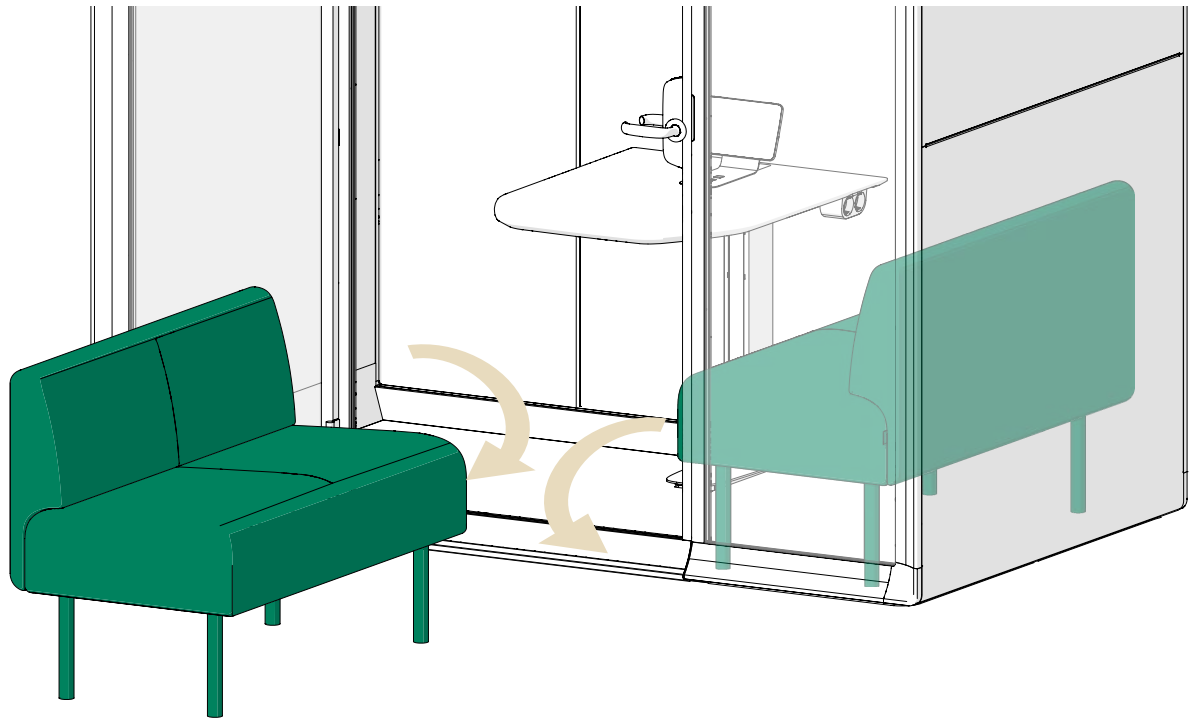
1.4 Manual contents

The installation instructions contain the following information:

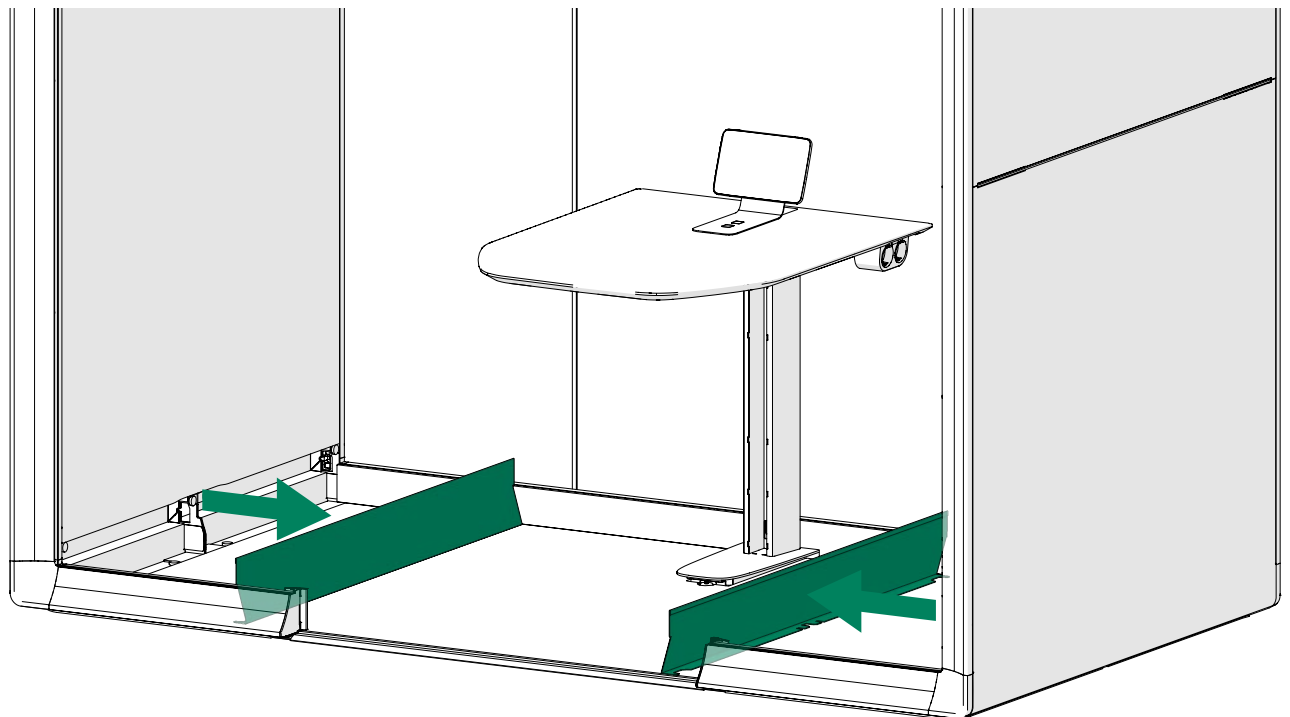
- General information about the purpose and content of the instructions
- Information related to safety
- Instructions for moving the pod

2 Disassemble the necessary parts

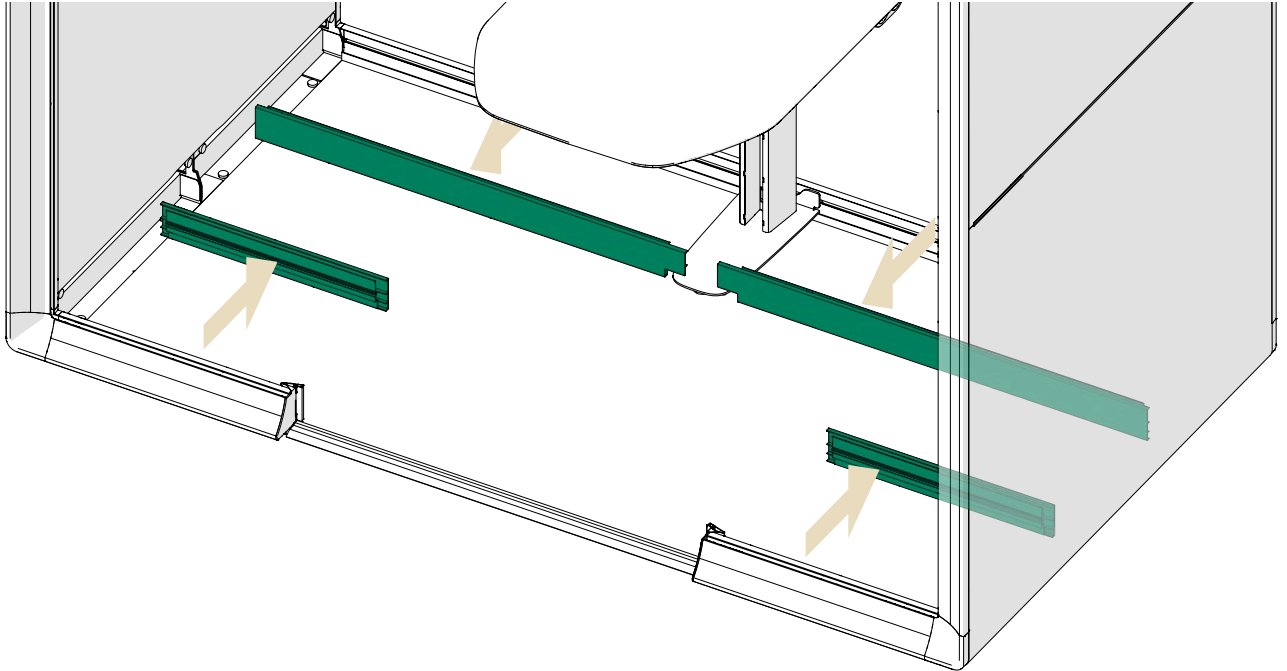
1.



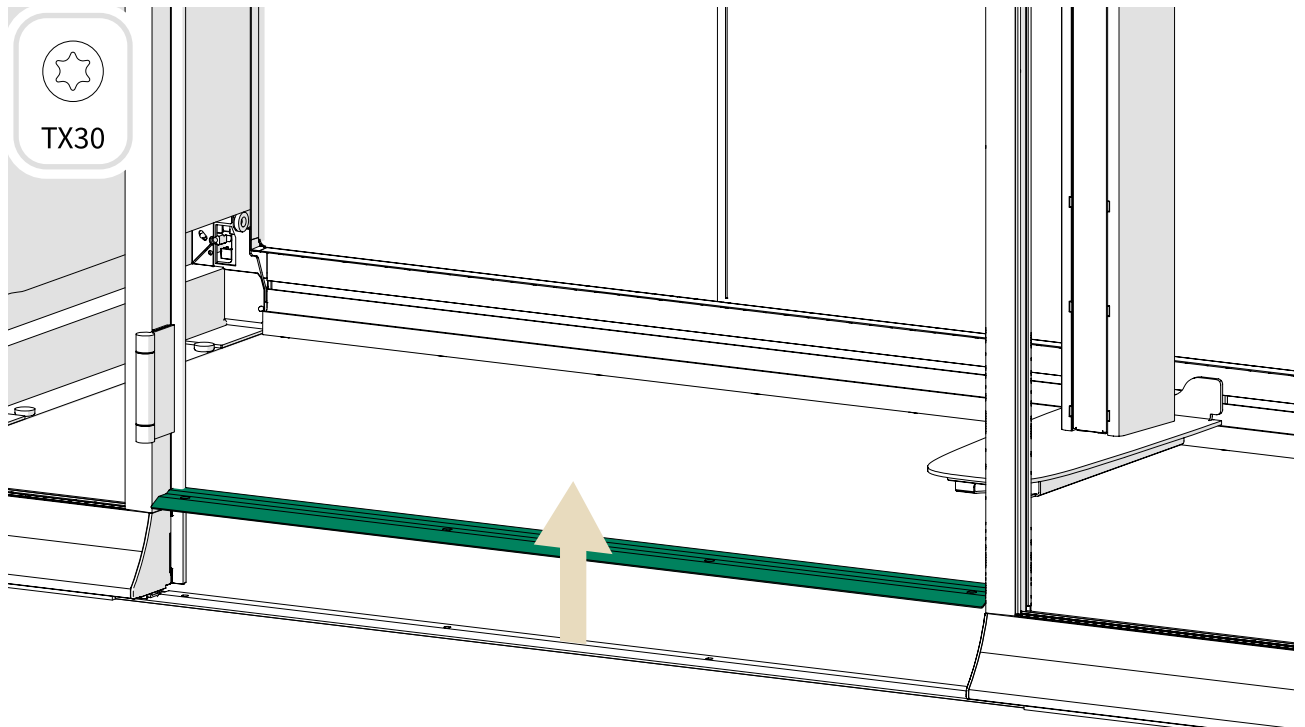
2.



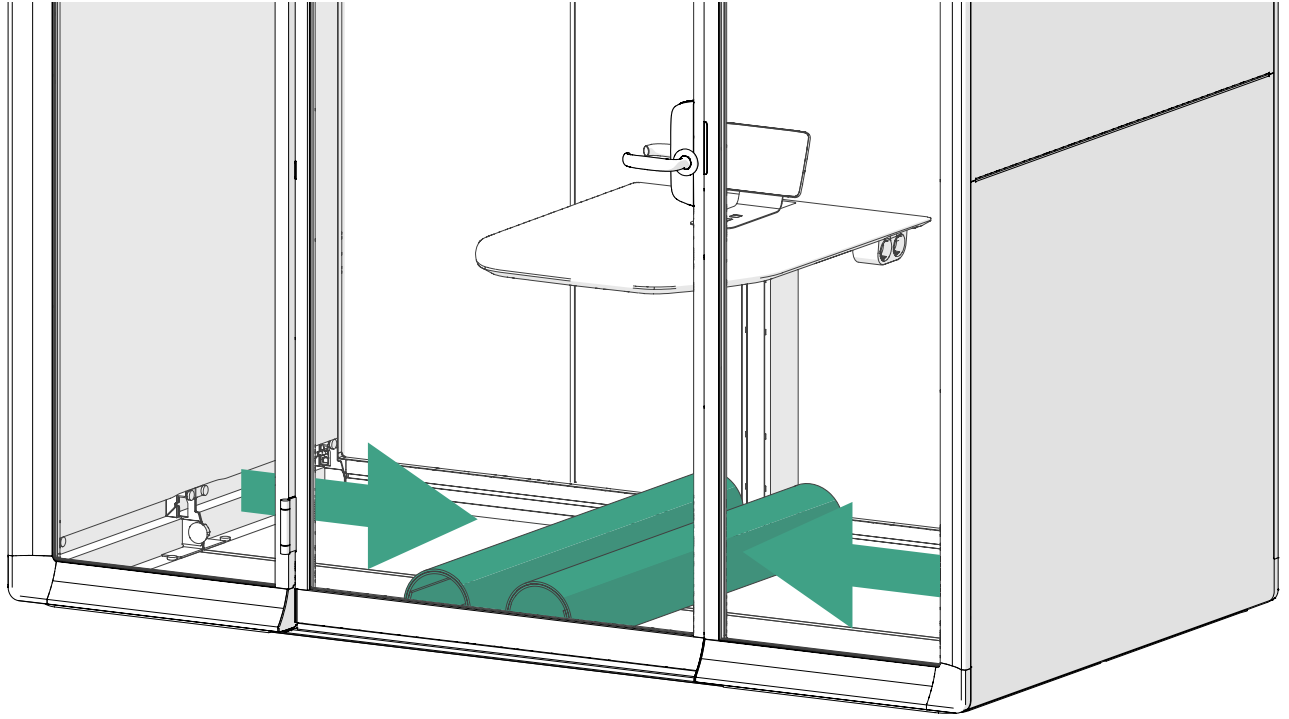
3.



4.



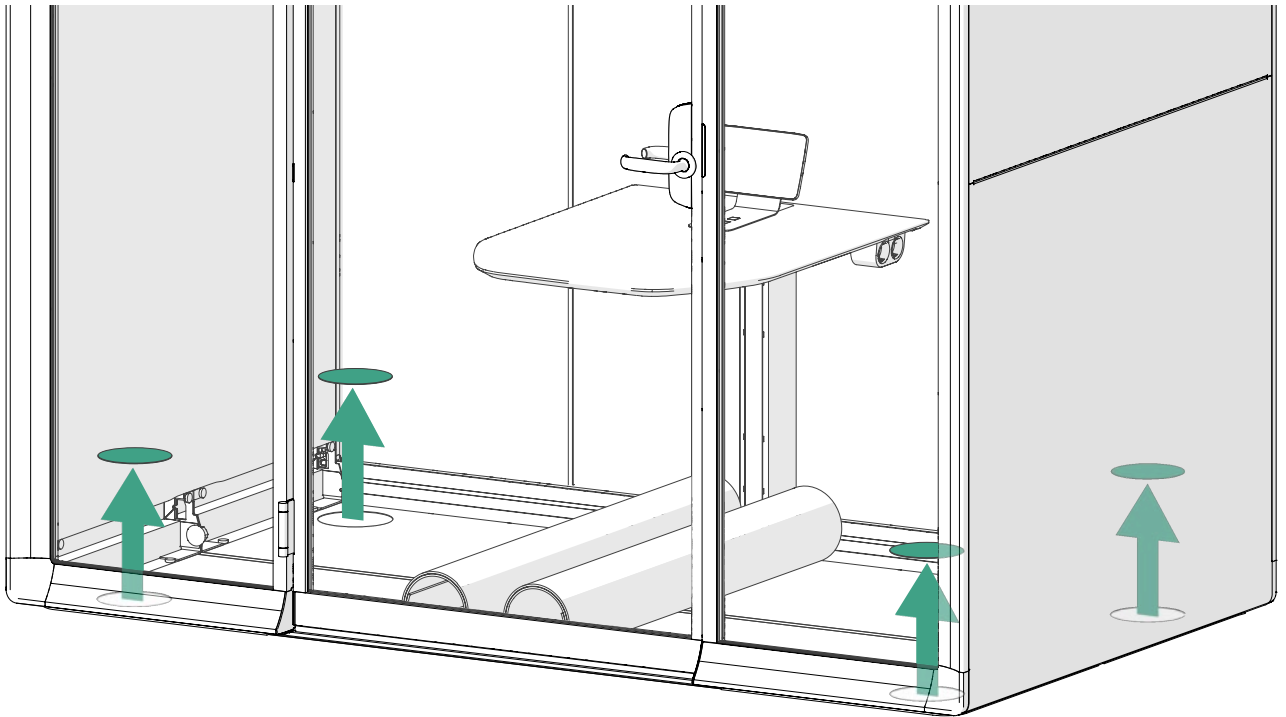
5.



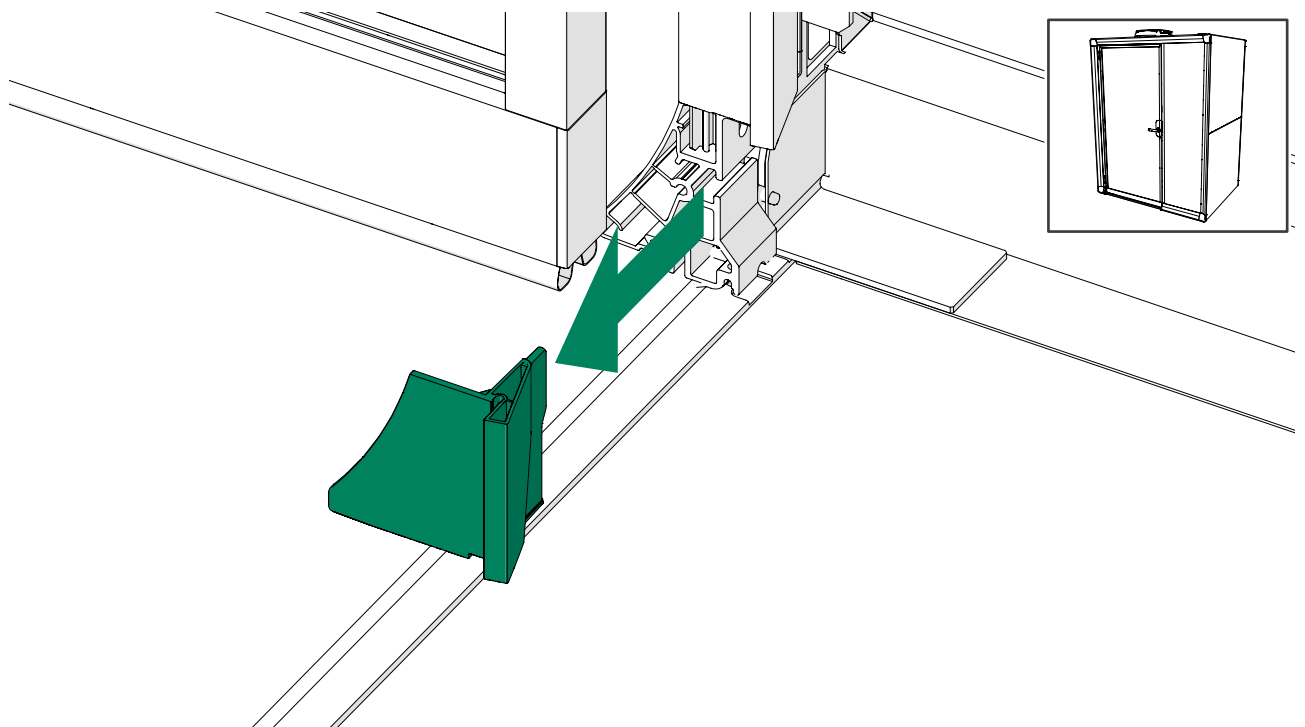
3 Install the movability kit and move the pod

- ⓘ **Note:** Only push the pod below the vertical middle, do not tow it.
- ⓘ **Note:** Only move the pod at walking speed.
- ⓘ **Note:** Only move the pod on even surfaces. The pod can cross thresholds a maximum of 3 mm.

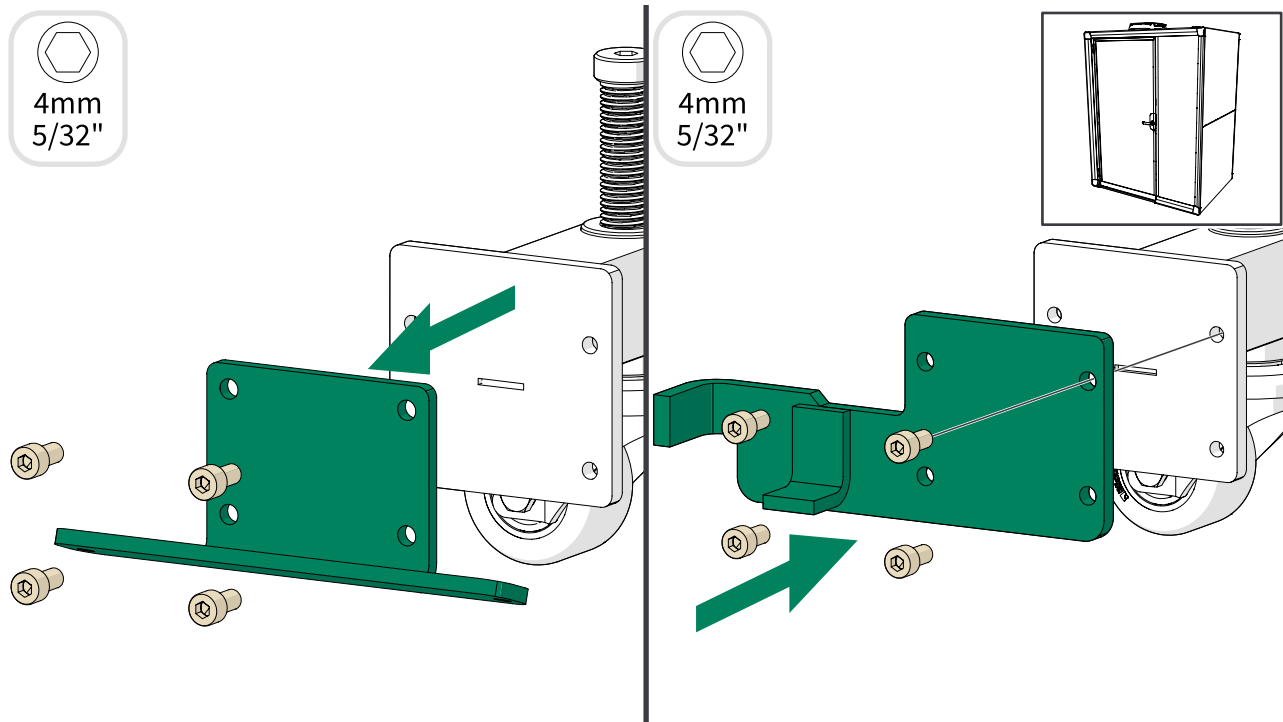
1.



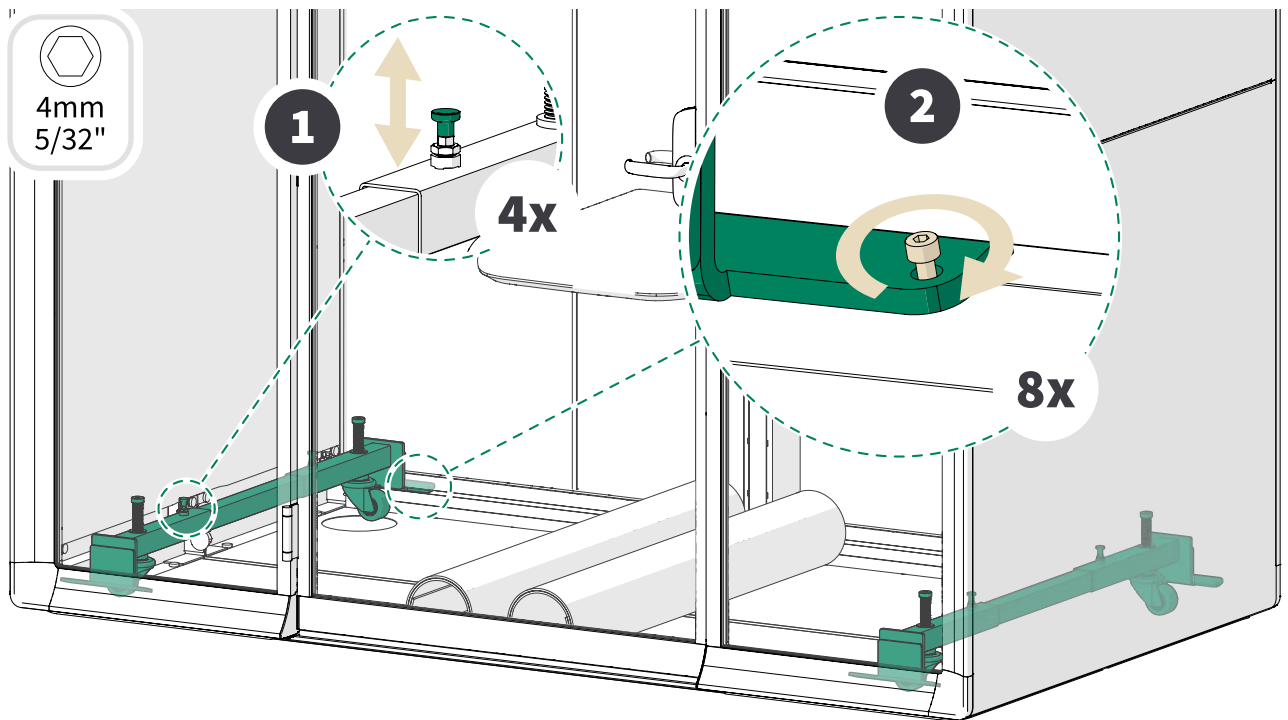
2. If you are moving Framery Gradus Work, remove the end cap from the hinge-side door frame.



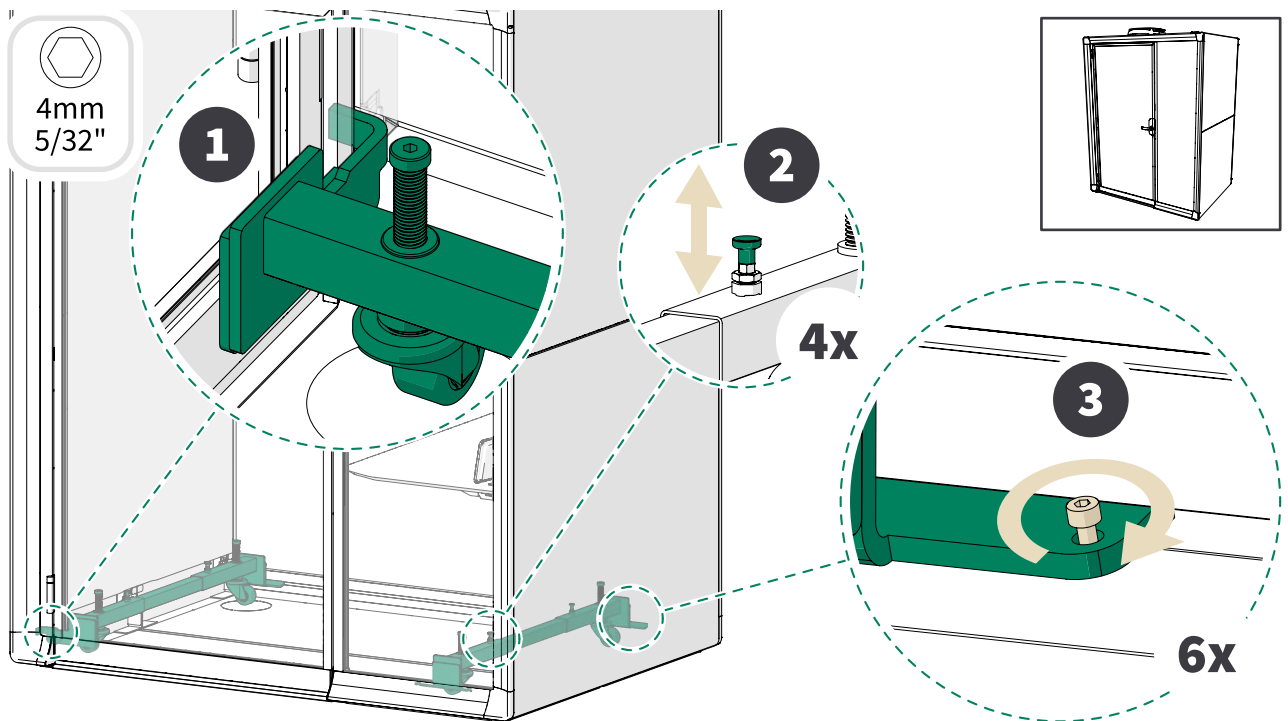
3. If you are moving Framery Gradus Work, change the end plate in the hinge-side corner of one of the wheel carriages.



4. • Installation of the movability kit in Framery Gradus Huddle.



- Installation of the movability kit in Framery Gradus Work.



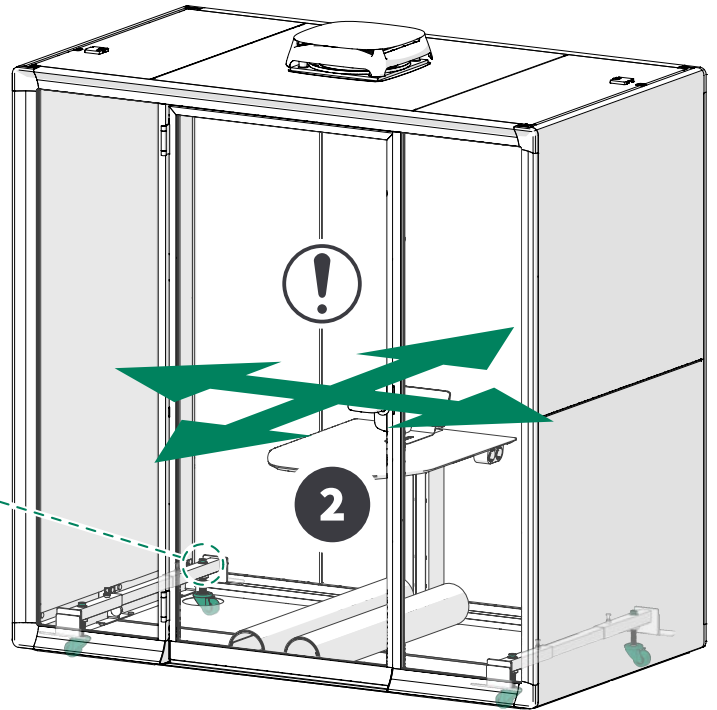
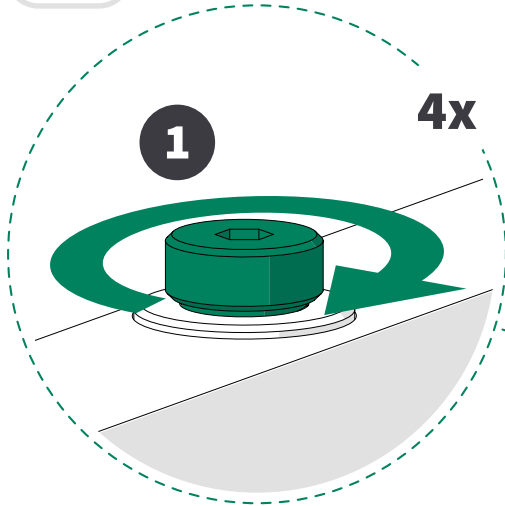
5.



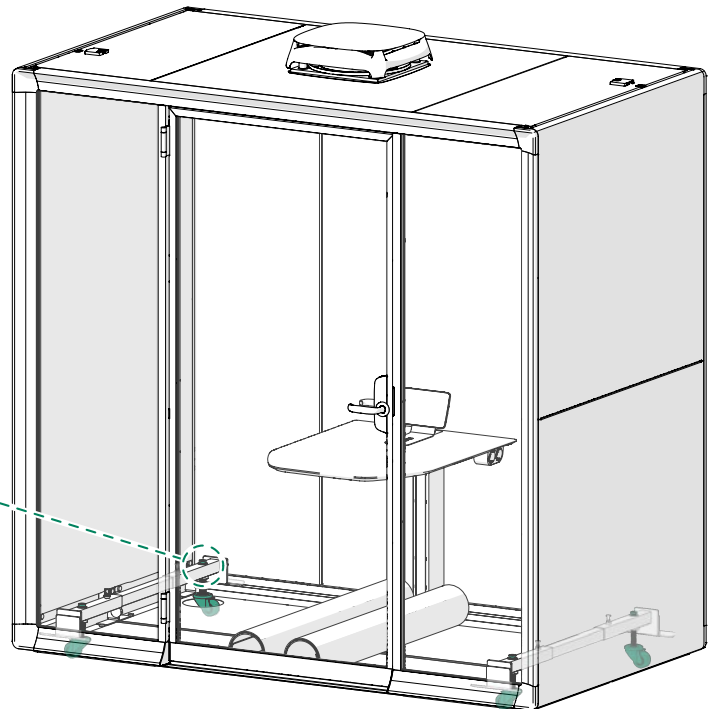
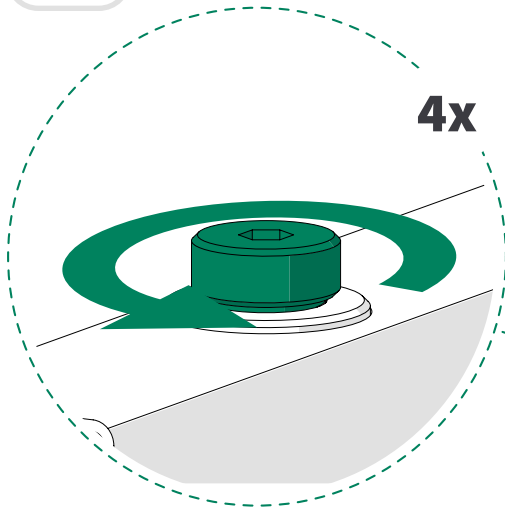
Note: Make sure to lift the pod evenly from all corners.



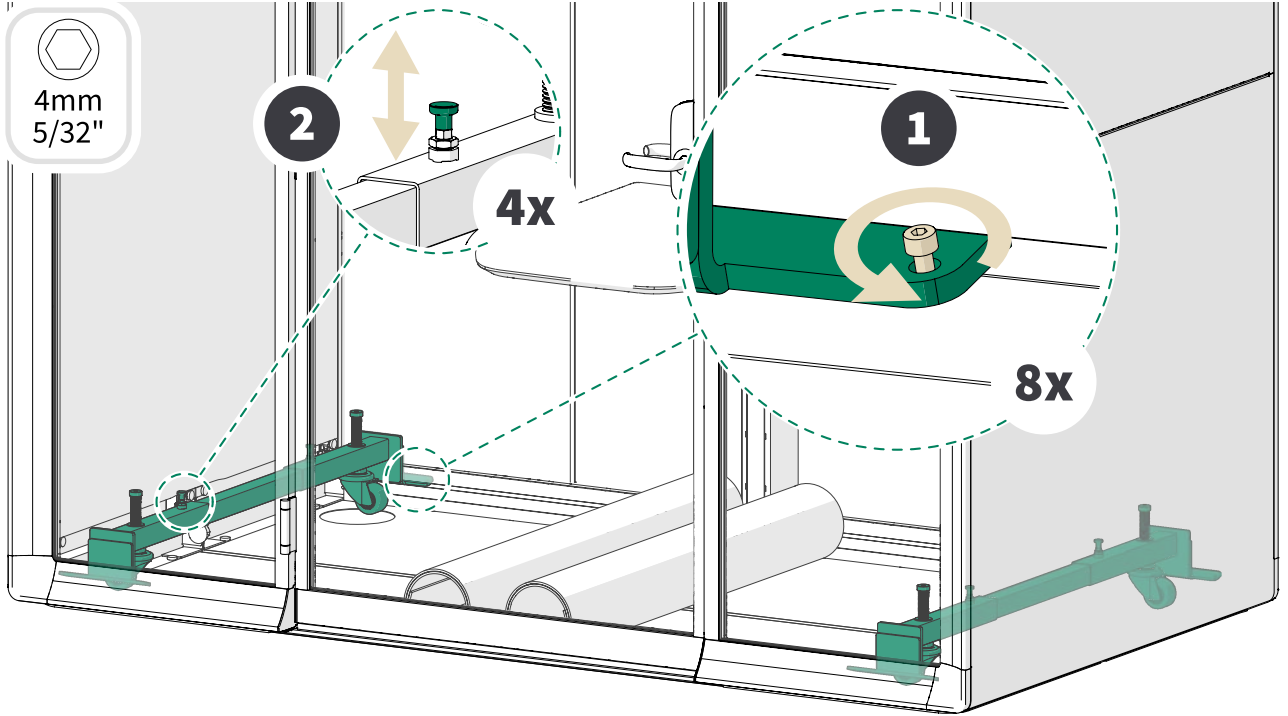
Note: Carefully push the pod to the new location. When the pod is at the new location, immediately remove the movability kit.



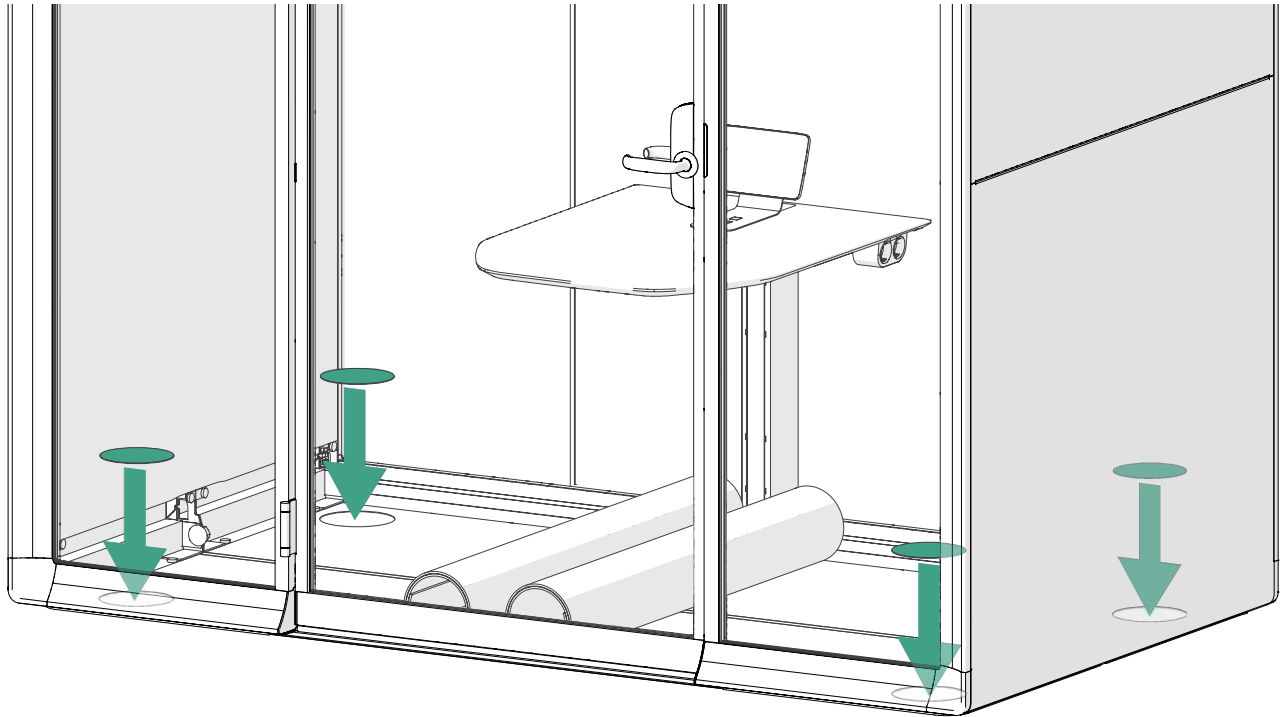
6.



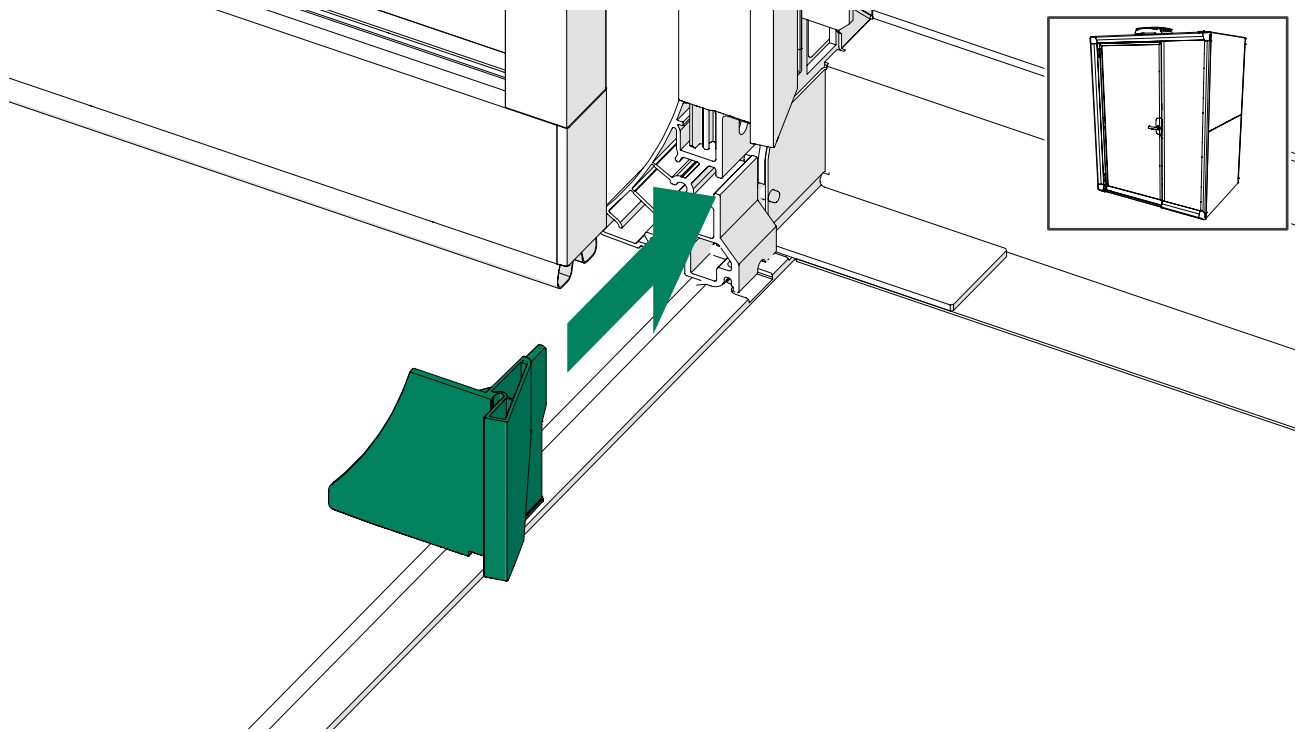
7.



8.



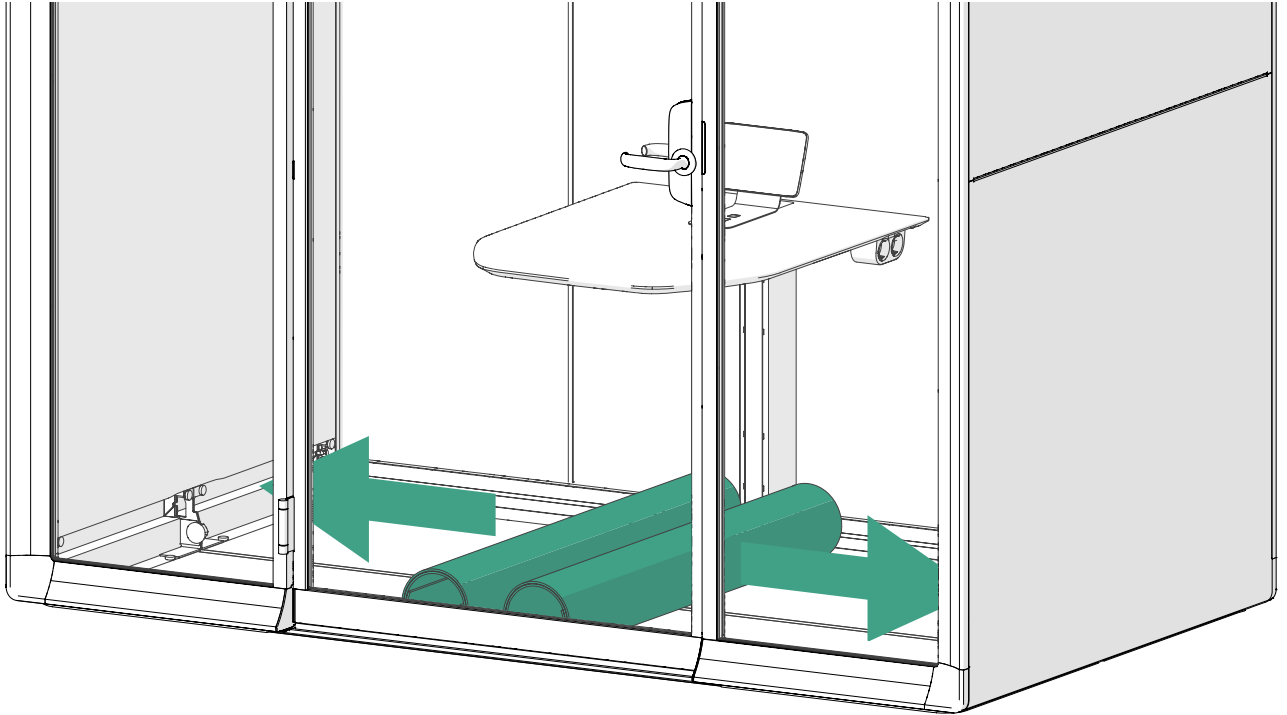
9. If you are moving Framery Gradus Work, reinstall the end cap.



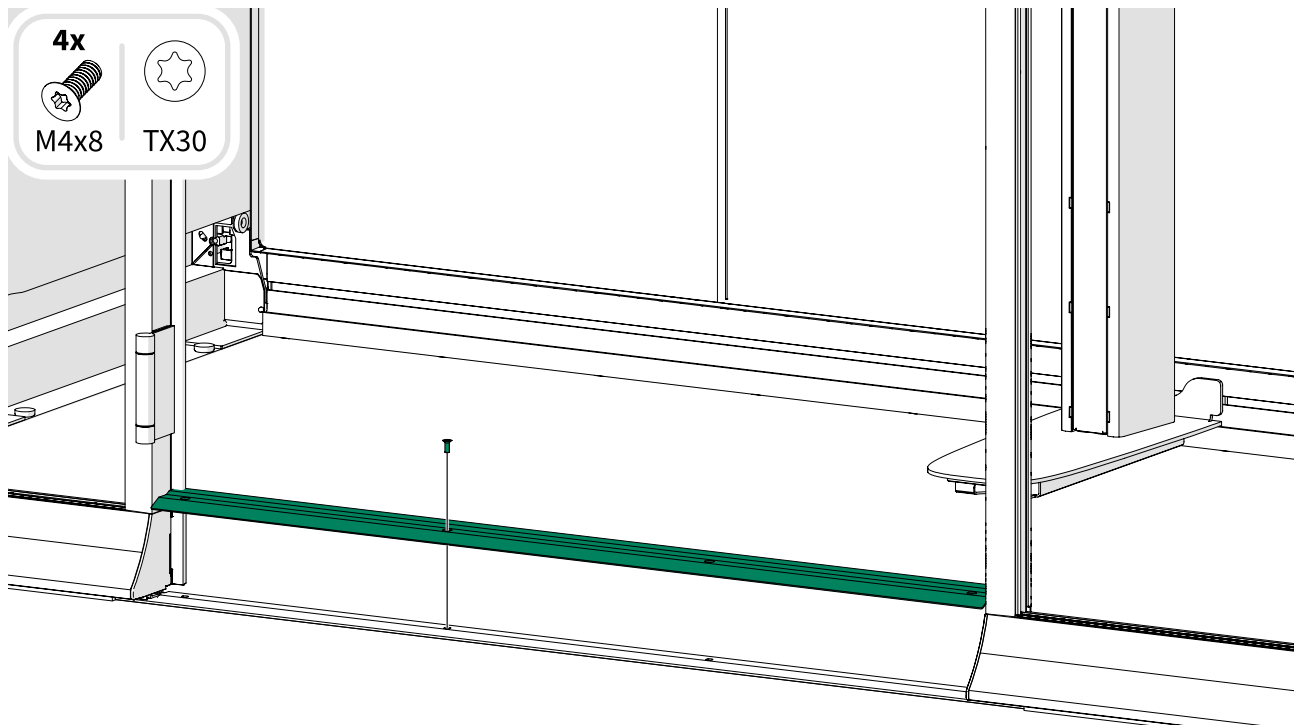
Note: After moving the pod, make sure that the door closes properly. See section **Adjust the door** on page 13 for instructions.


4 Adjust the door

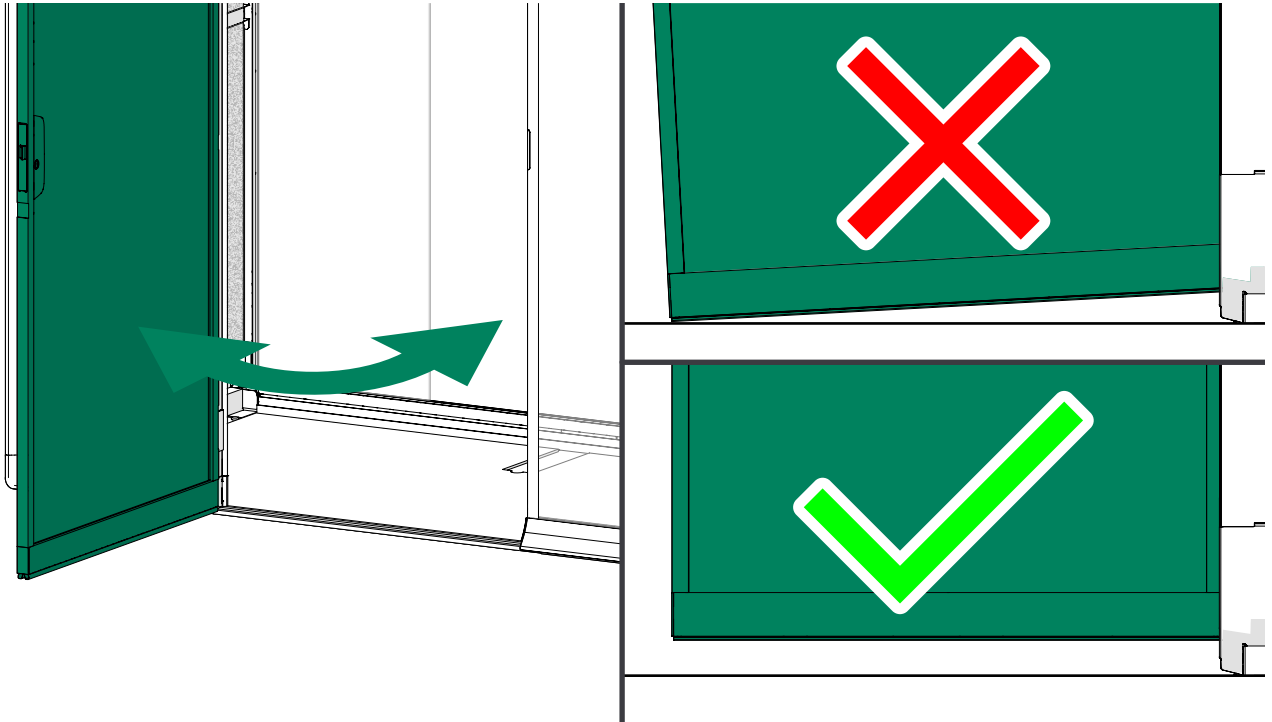
1.




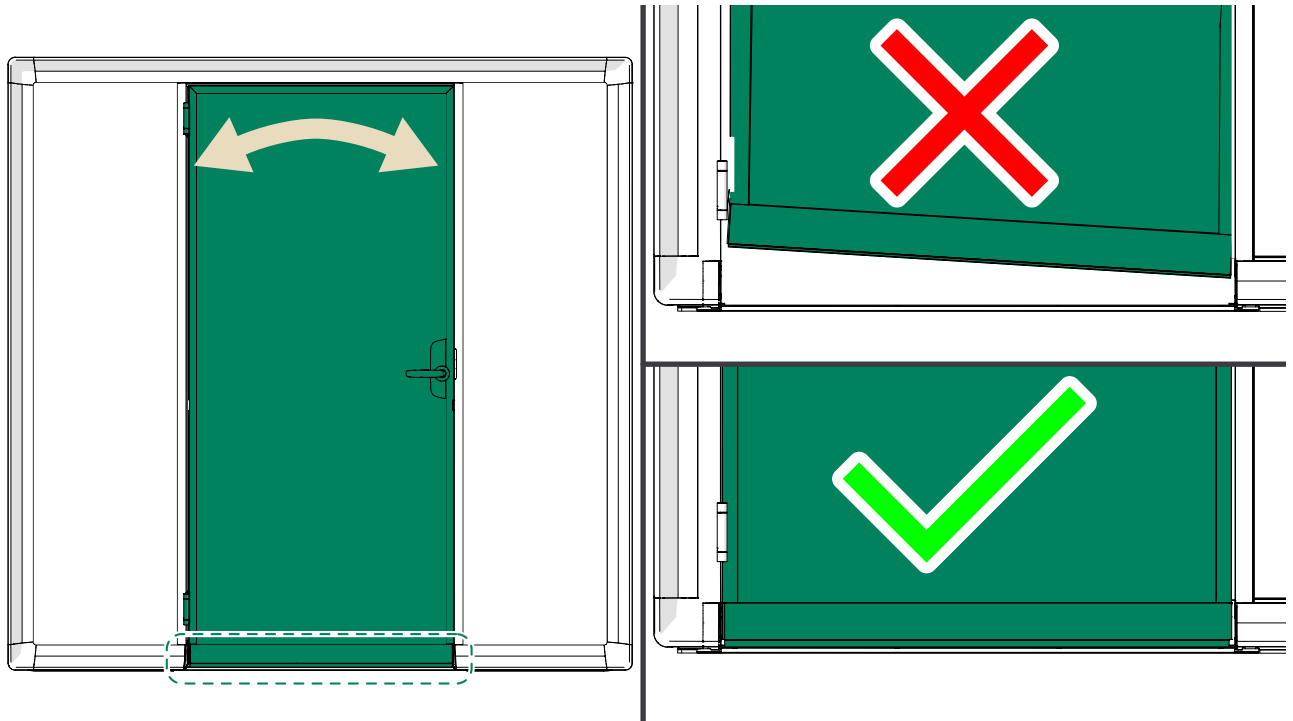
2.




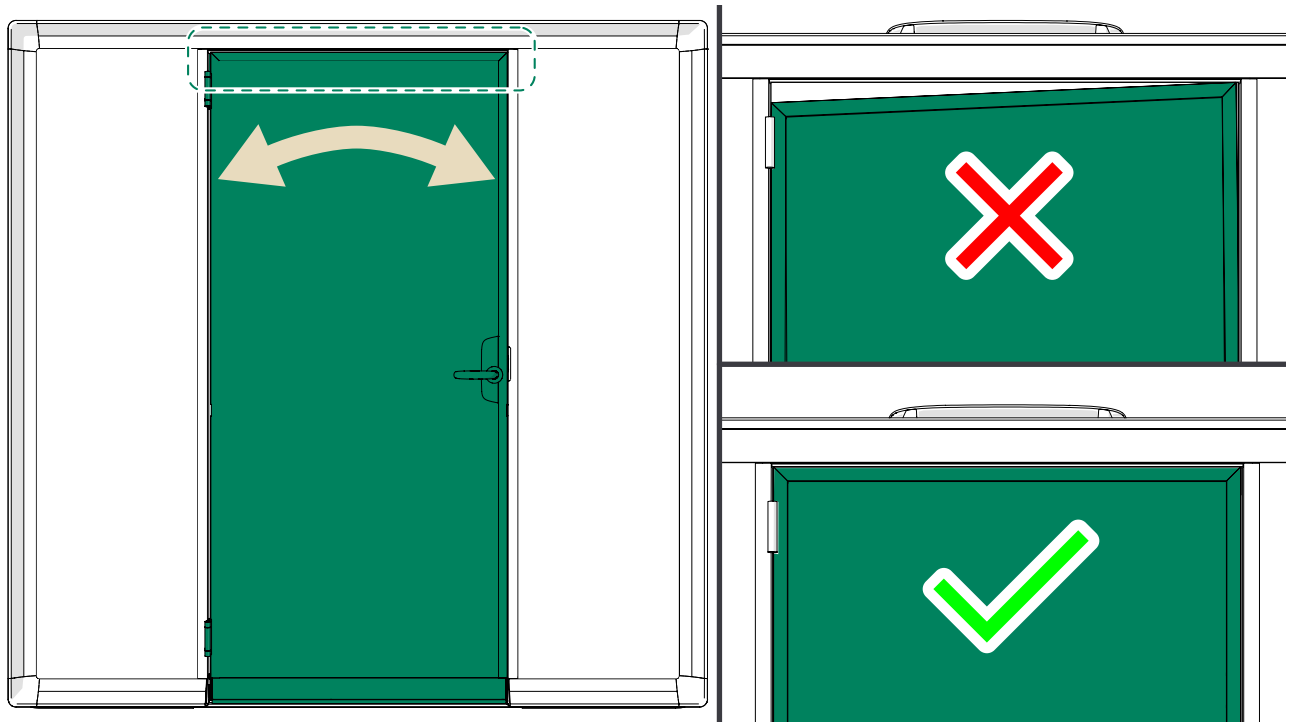
3.  **Note:** Open the door and make sure that it does not scratch the floor.



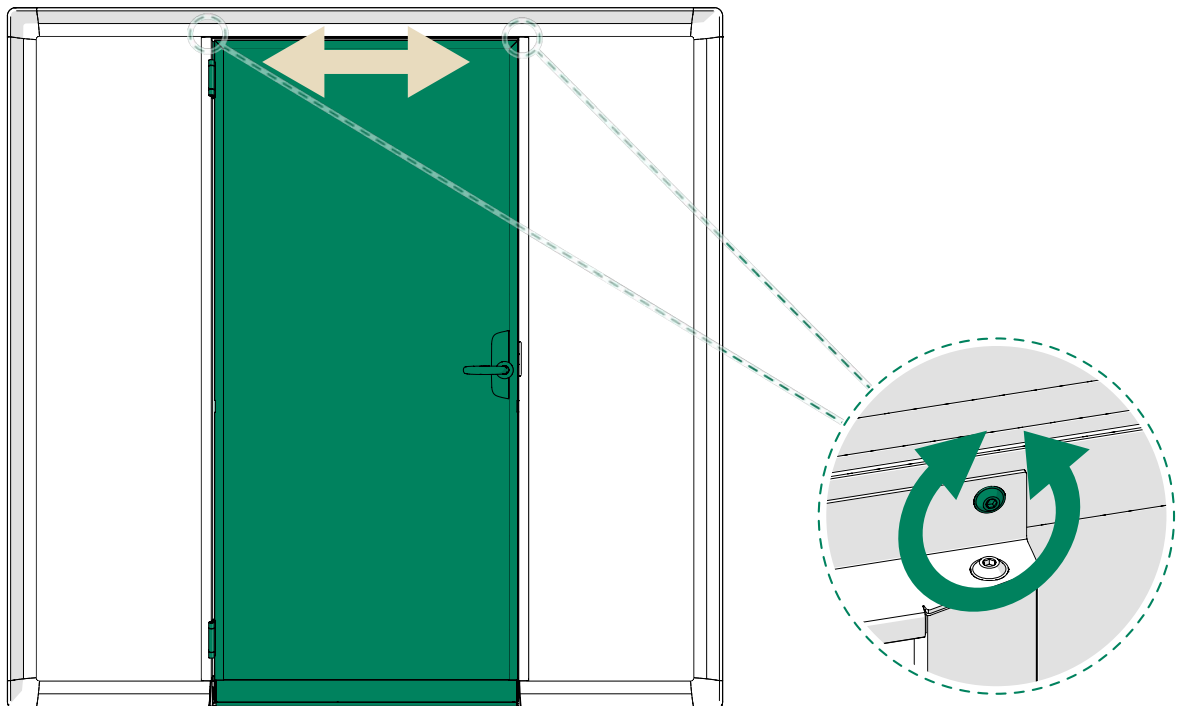
4.  **Note:** Open the door and make sure that it does not scratch the pod threshold.



5.  **Note:** Open the door and make sure that it does not scratch the upper frame.

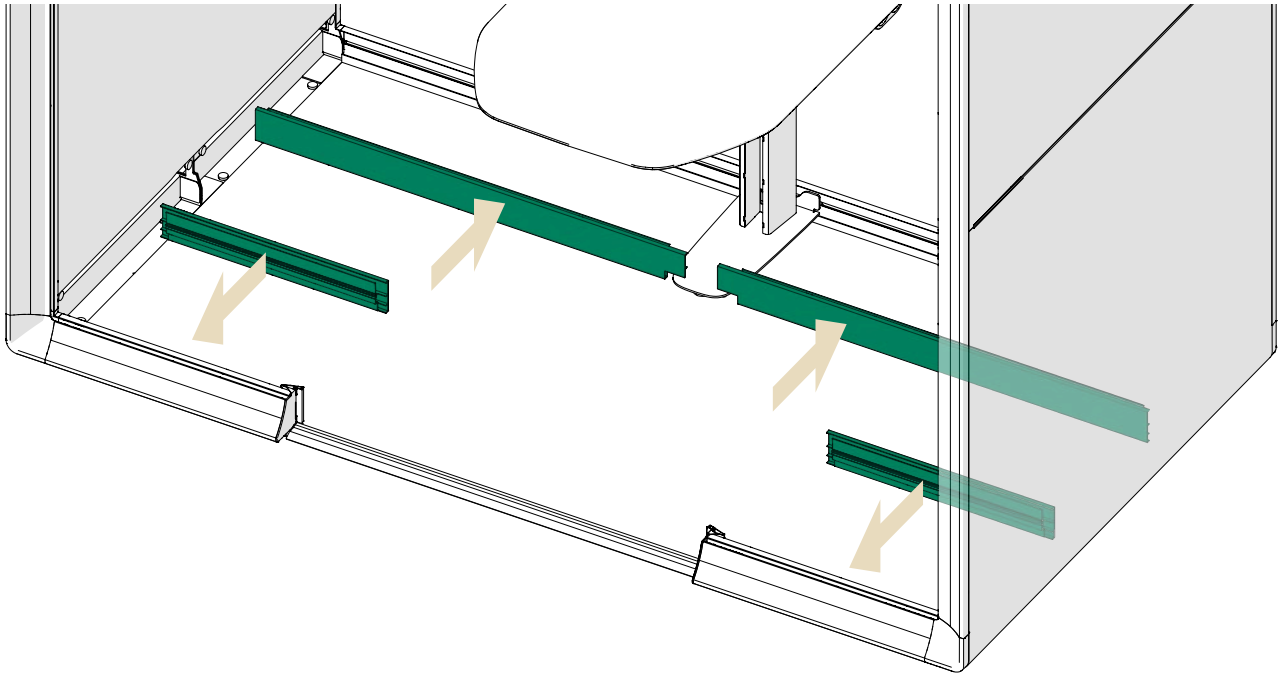


6. If the door does not close properly, loosen the ceiling threshold screws, adjust the door position, and retighten the screws.
Ceiling lights and ceiling interior panel need to be removed to access the ceiling threshold screws.

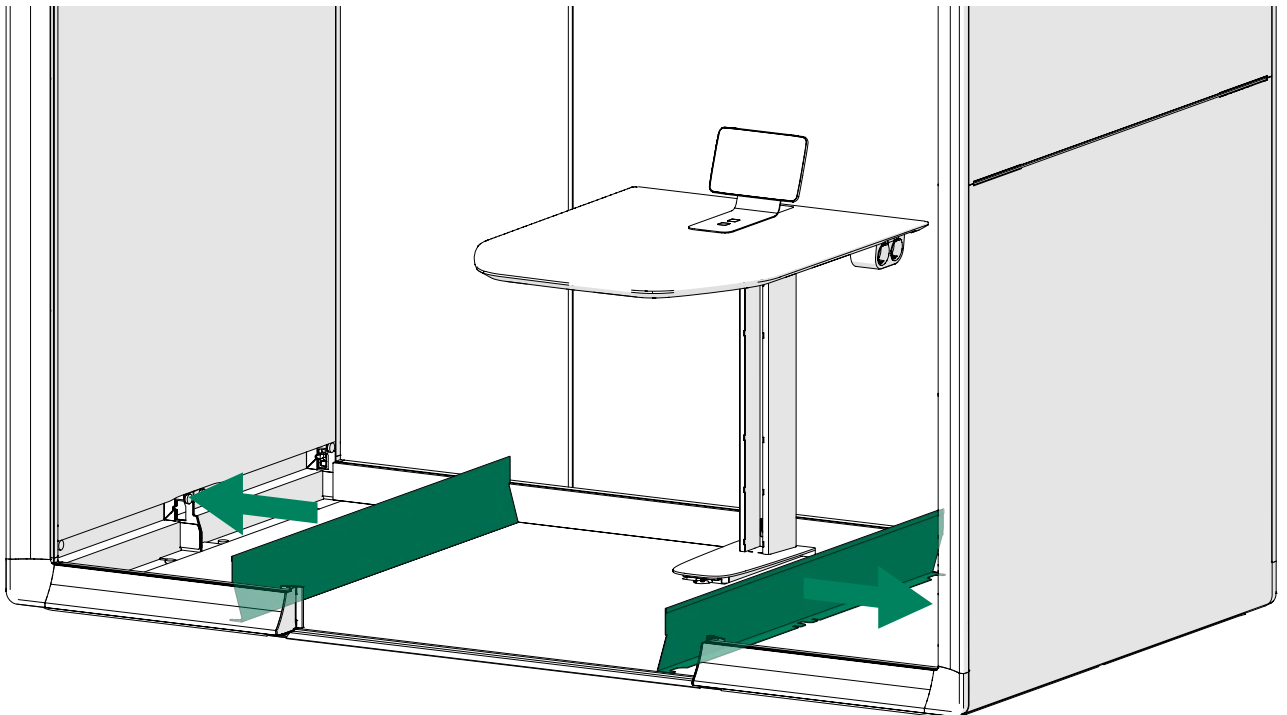


5 Reinstall the removed parts

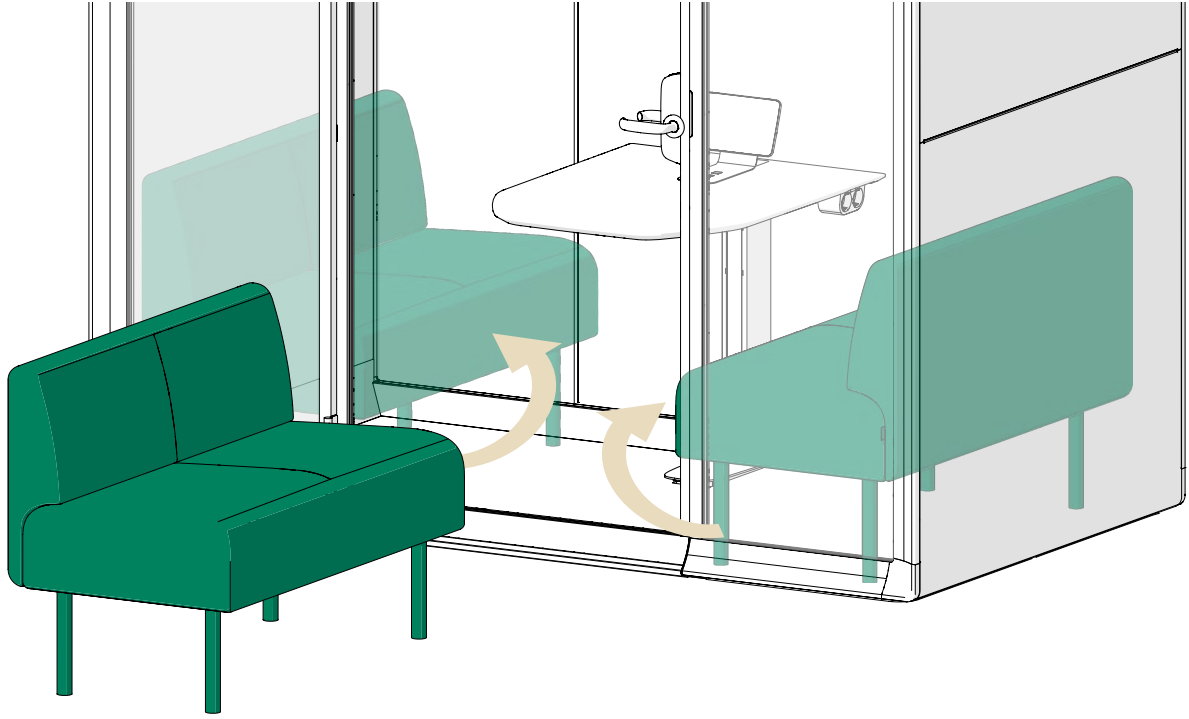
1.



2.



3.



framery

Movability kit
Framery Gradus Work and Gradus Huddle
Patamäenkatu 7
33900 Tampere
FINLAND
VAT: FI 23527139