

Contents

1 Meeting room kit contents.....	3
2 Tools required.....	4
3 Install the display to a wall.....	5
4 Install the display to a glass.....	9

1 Meeting room kit contents

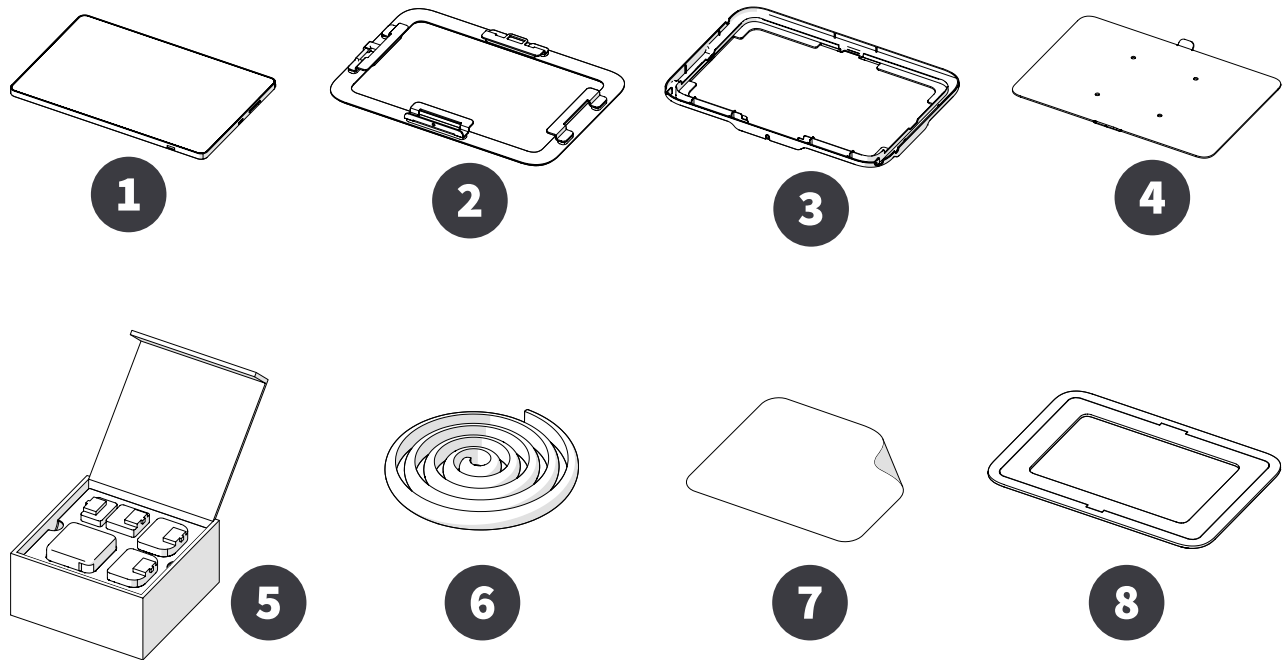


Figure 1: Meeting room kit

Number	Description
1	Tablet
2	Wall mount frame
3	Side cover
4	Mounting plate
5	Charger kit
6	Cord cover
7	Sticker
8	Template

2 Tools required

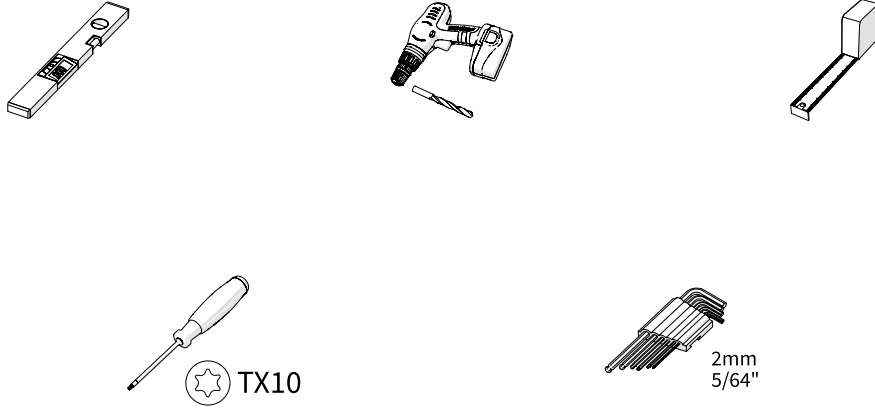
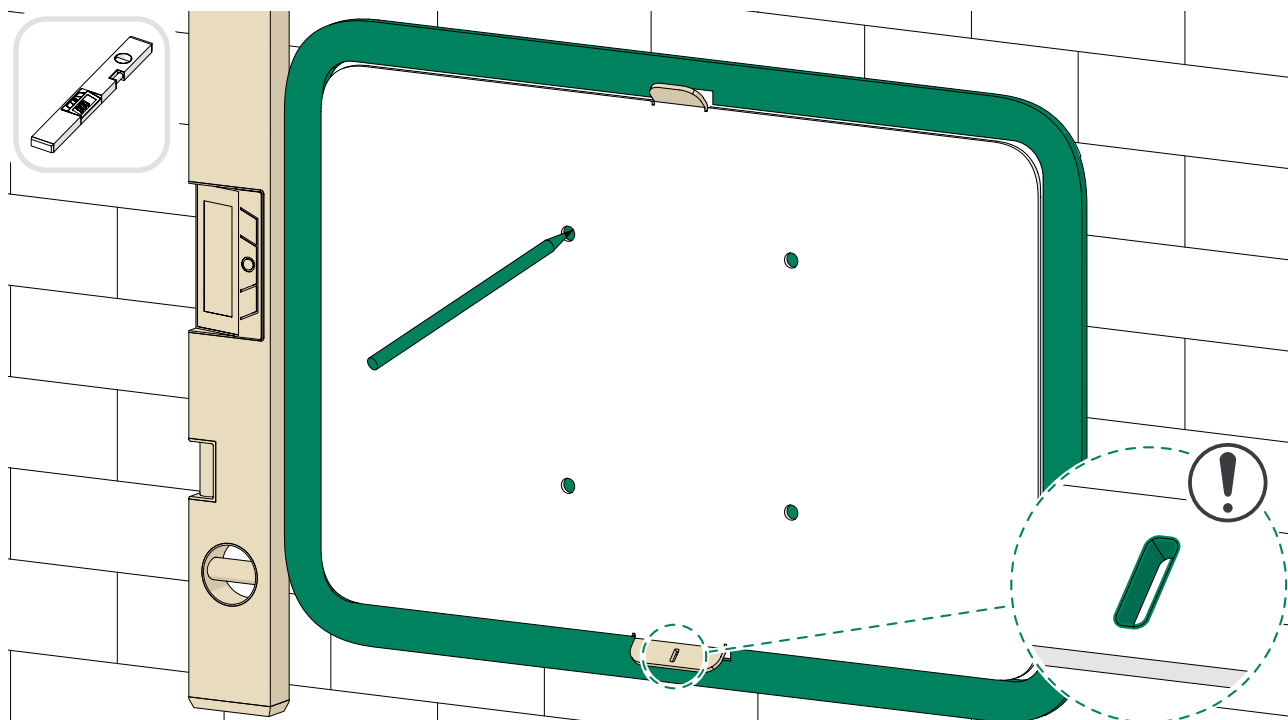


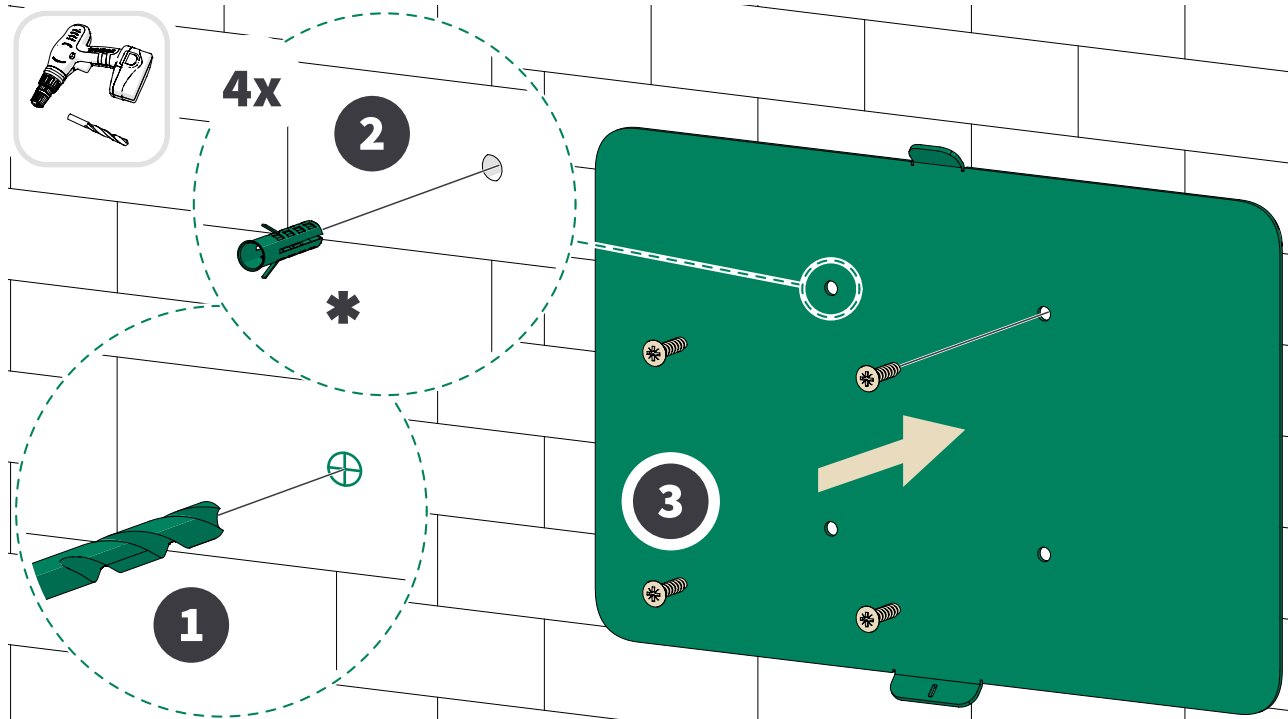
Figure 2: Tools required for installing the Meeting room kit



3 Install the display to a wall

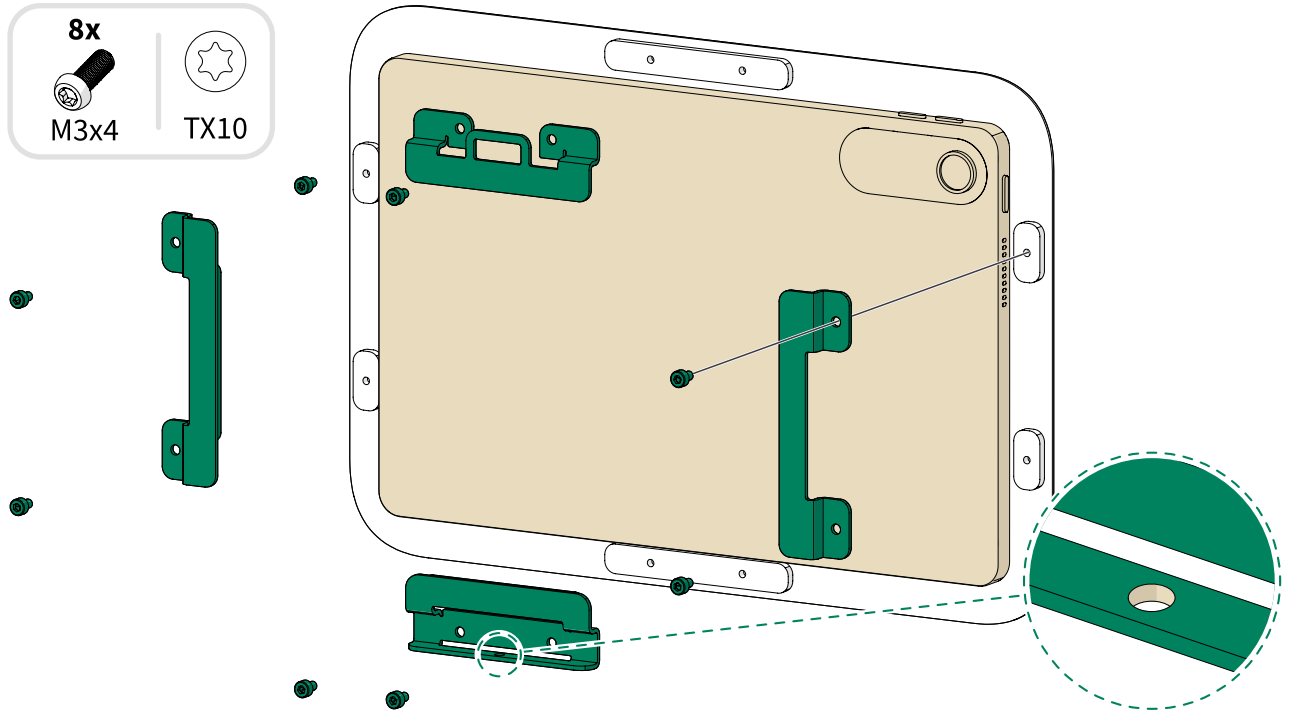
1. Use the template to choose the installation location. The outer edges of the template show the final location of the display.



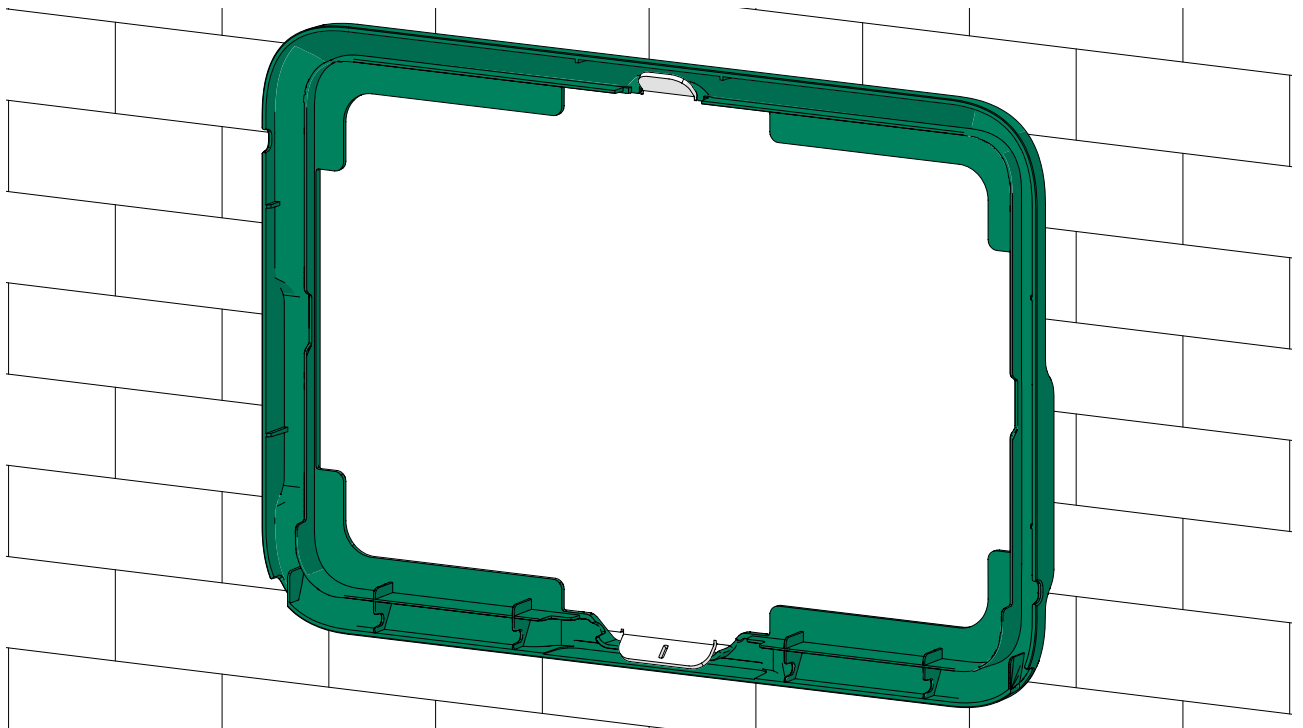
- 2.



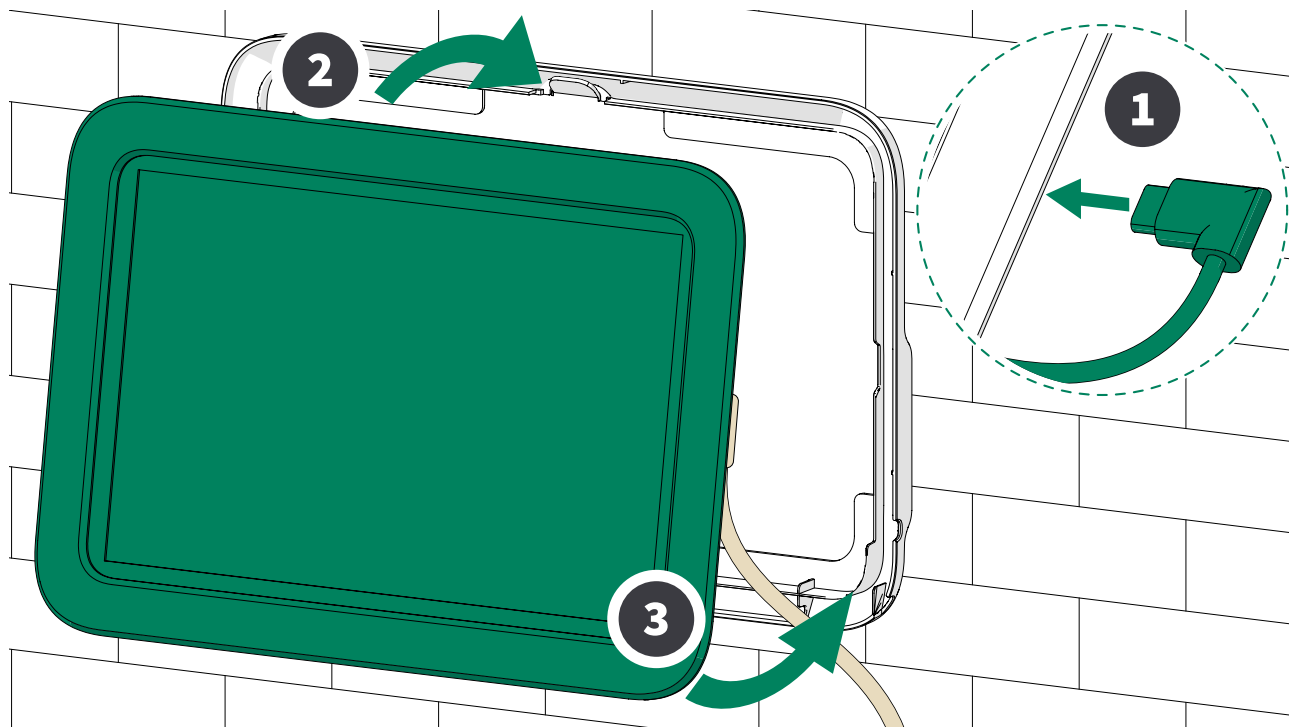
3.  **Note:** Determine from which side the power cord enters, then turn the tablet so that the USB-C port faces that way.
-  **Note:** Make sure that the tablet is aligned with the wall mount frame.




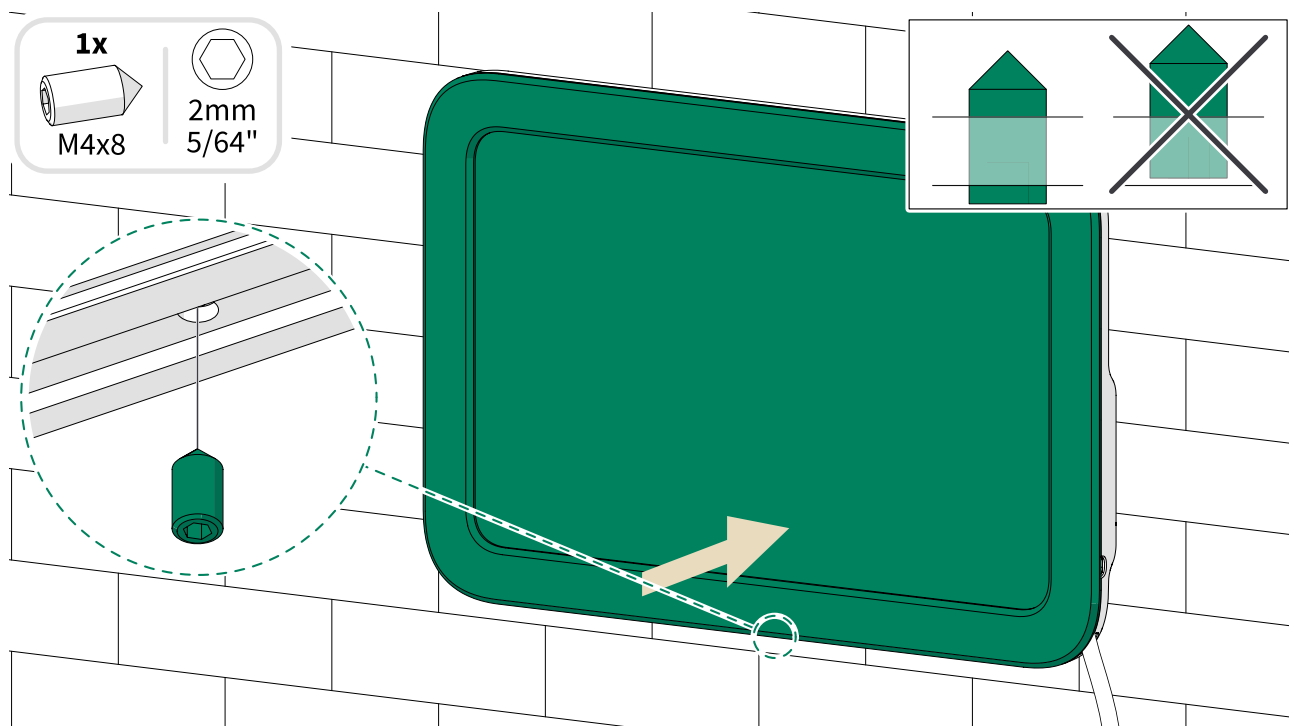
4. Set the side cover in place.



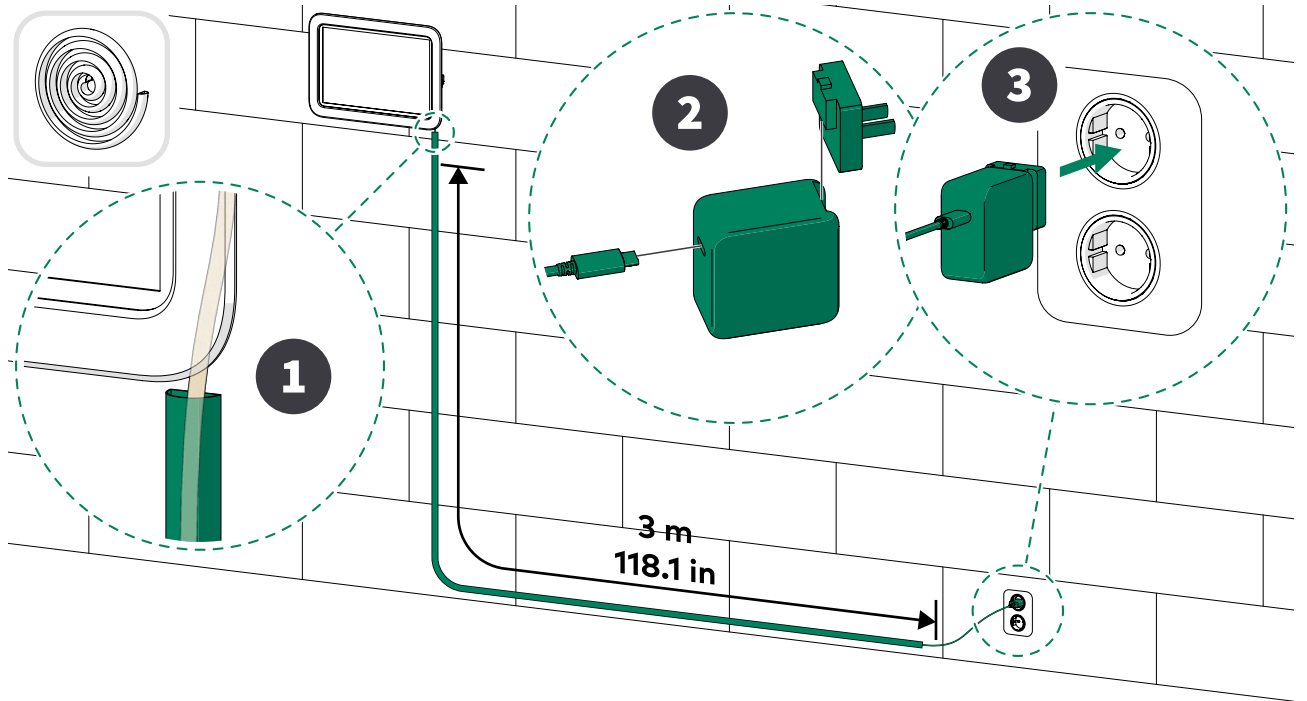
5. Guide and connect the cord. Hang the tablet assembly from the top and press all the parts together from the bottom.



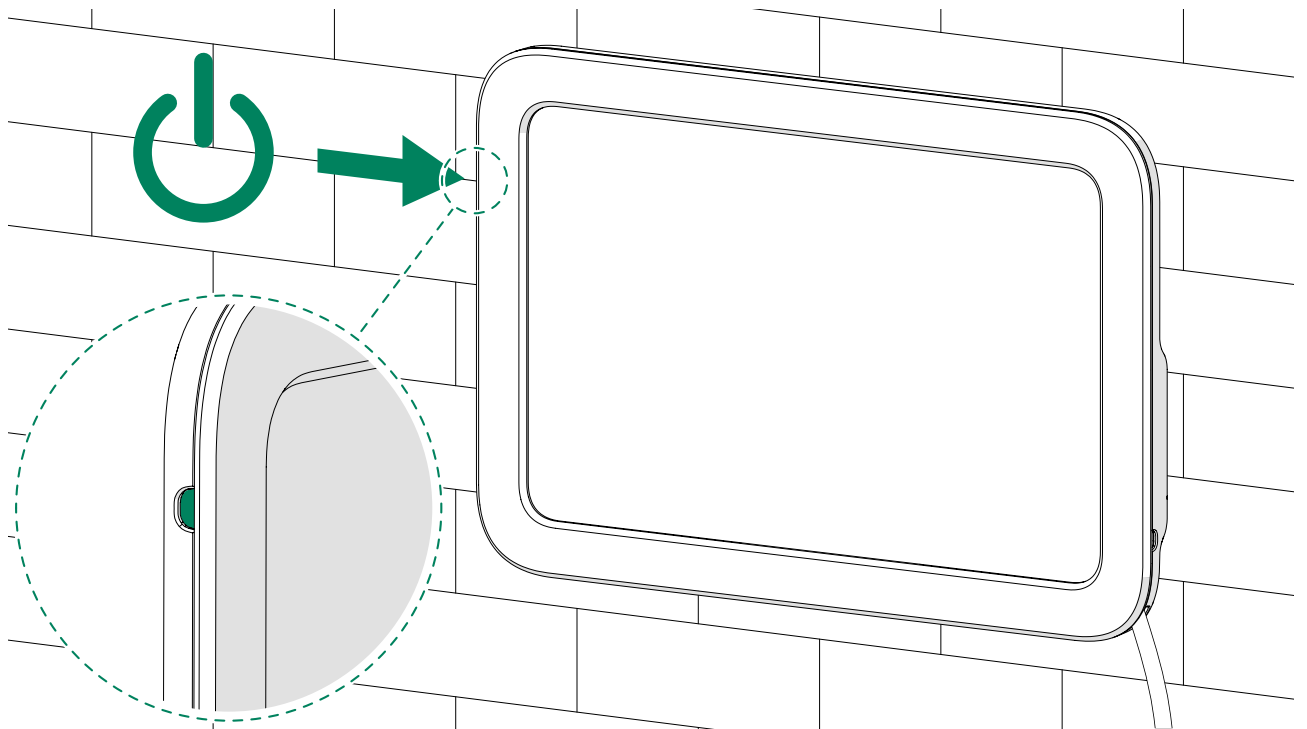
6.  **Note:** Do not overtighten the screw.



7.



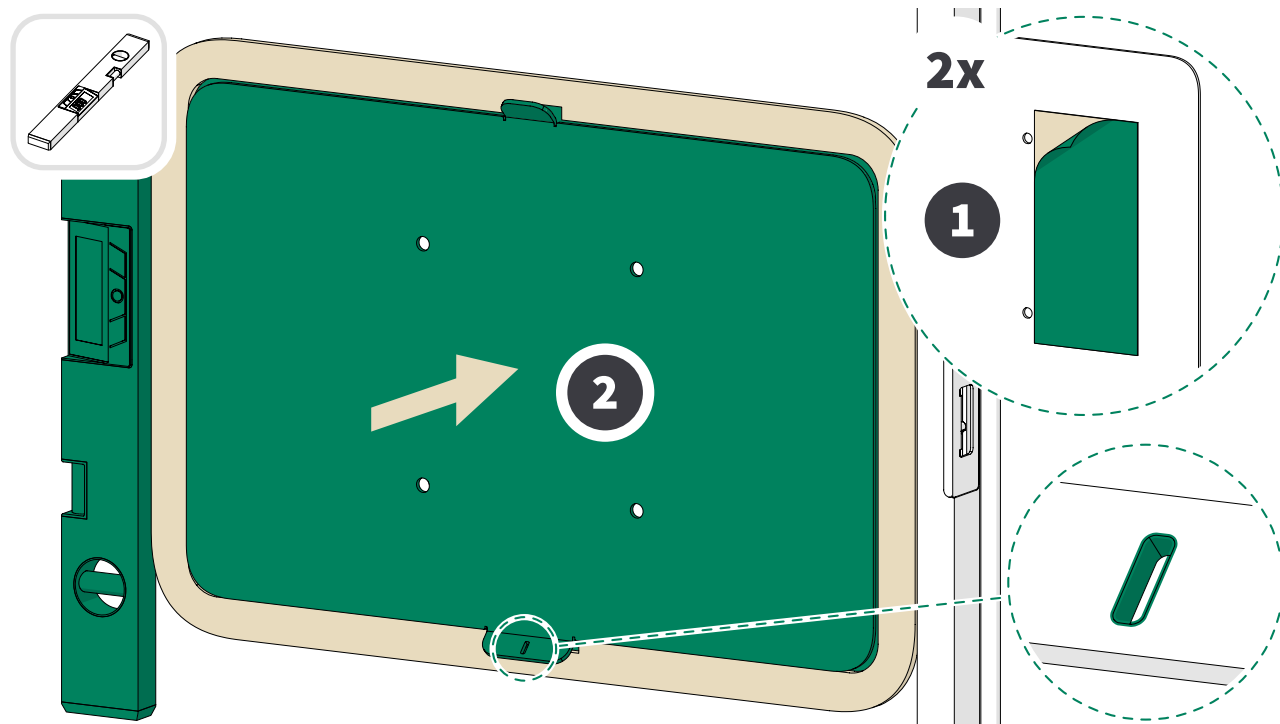
8.



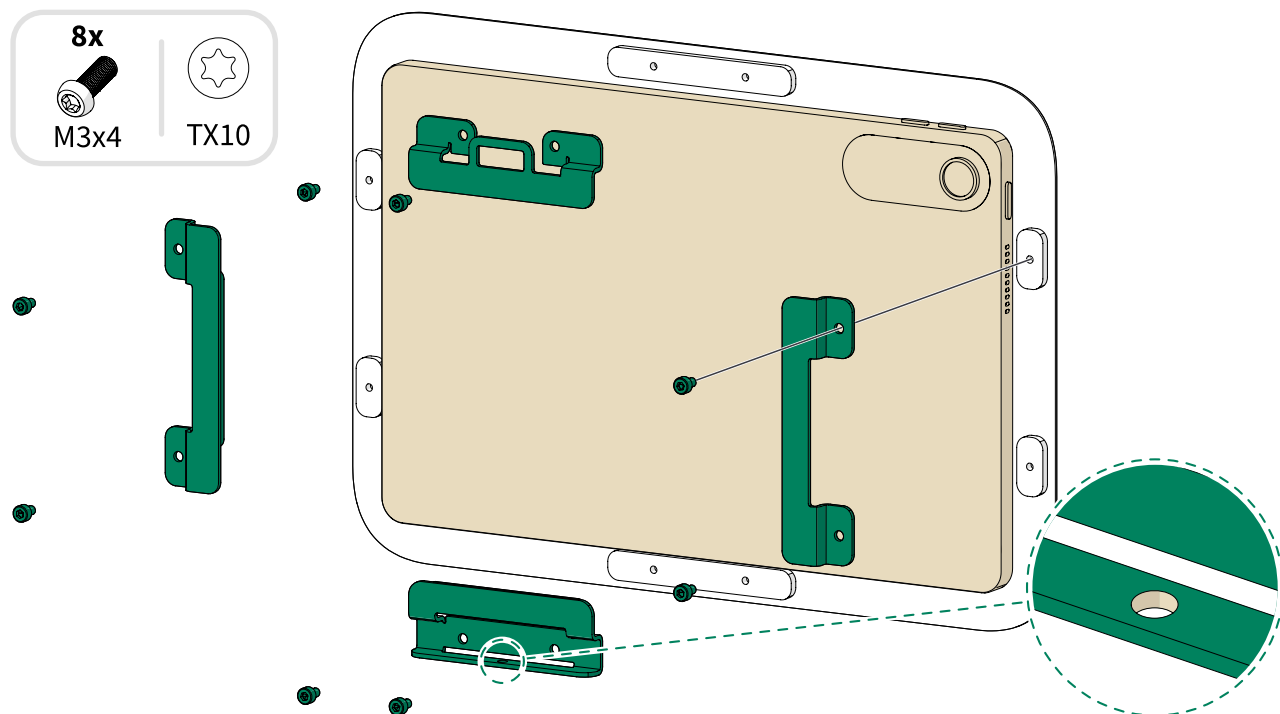
Install the Framery Room Sensor according to the separate sensor setup guide.

4 Install the display to a glass

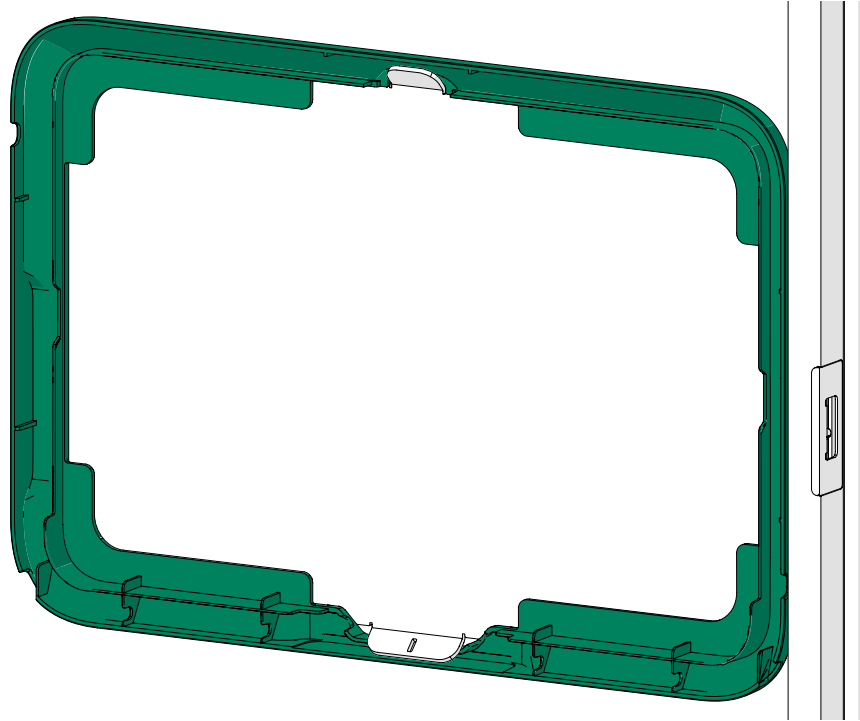
1. Install the mounting plate to a glass with double-sided tape.
Use the template to choose the installation location. The outer edges of the template show the final location of the display.



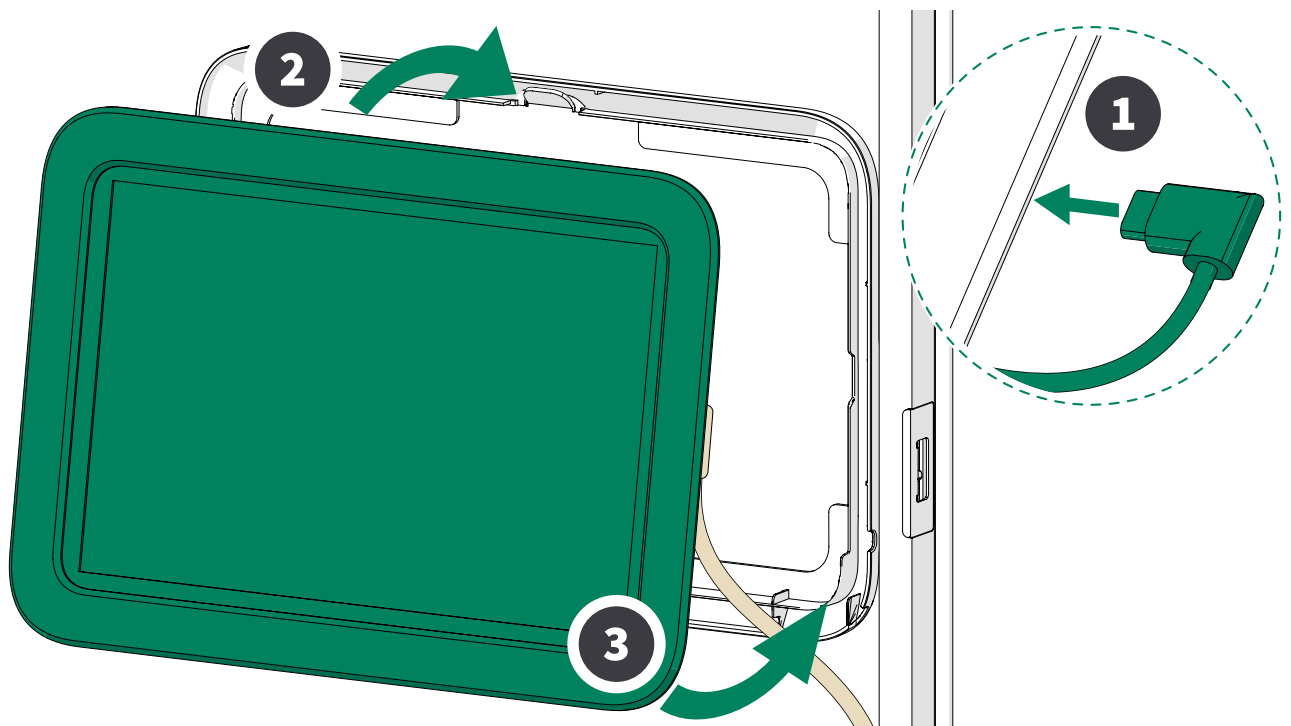
2.
 - ⚠ **Note:** Determine from which side the power cord enters, then turn the tablet so that the USB-C port faces that way.
 - ⚠ **Note:** Make sure that the tablet is aligned with the wall mount frame.




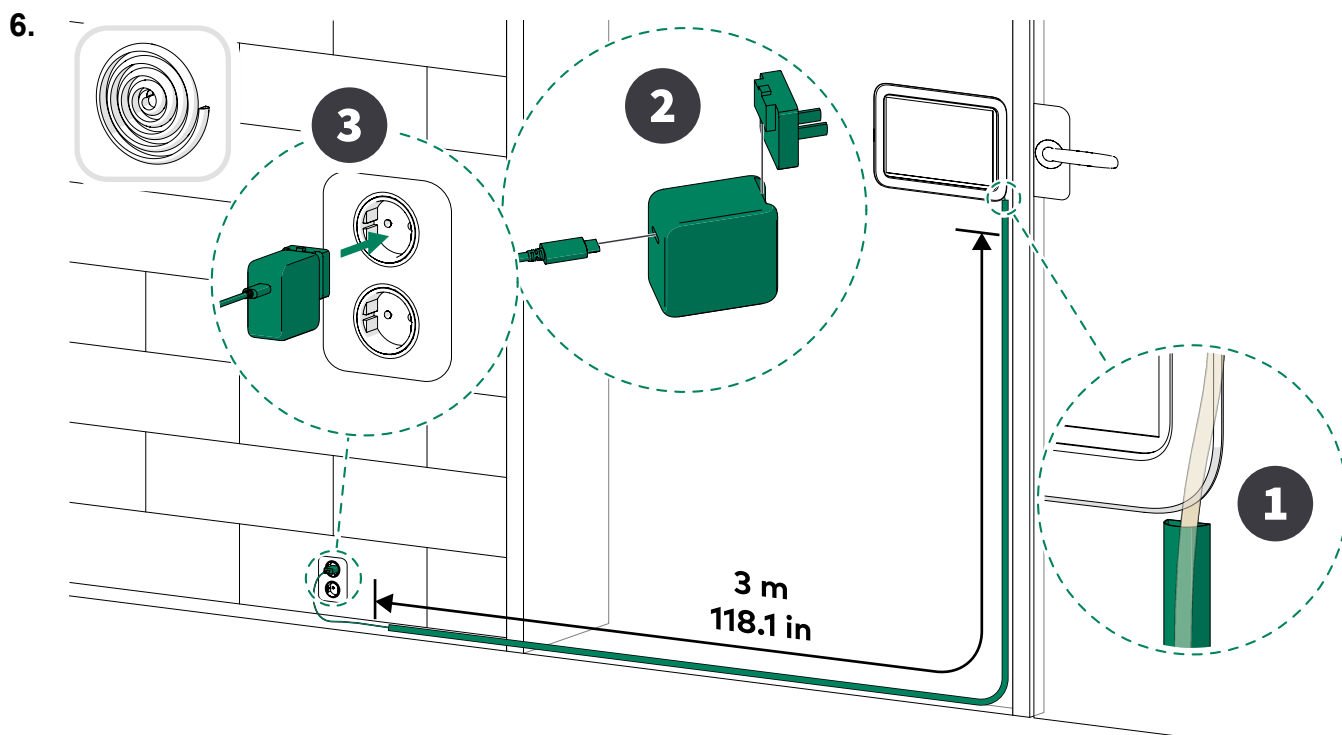
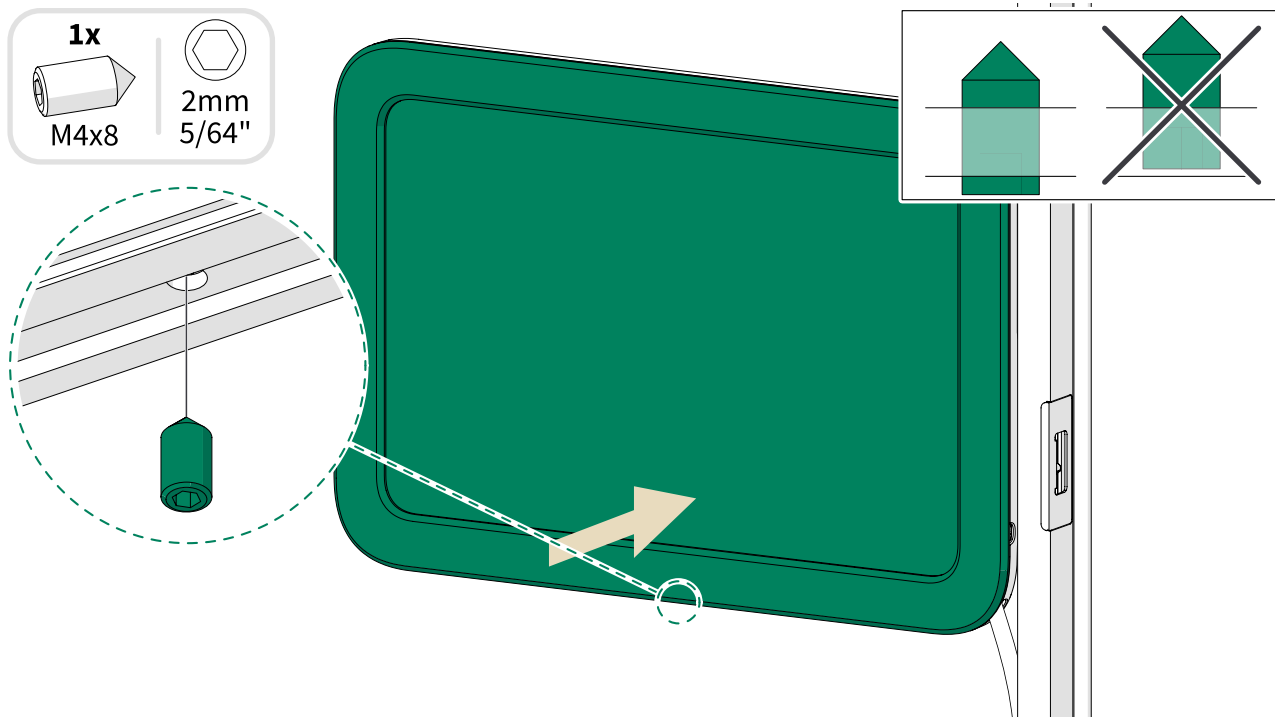
3. Set the side cover in place.



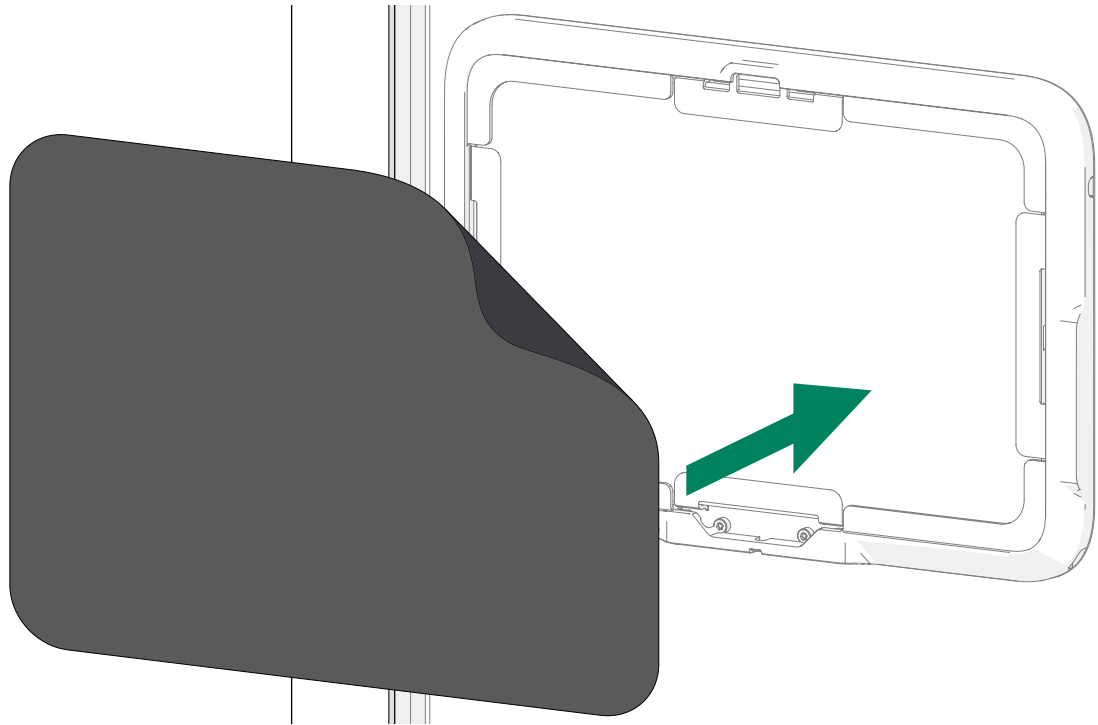
4. Guide and connect the cord. Hang the tablet assembly from the top and press all the parts together from the bottom.



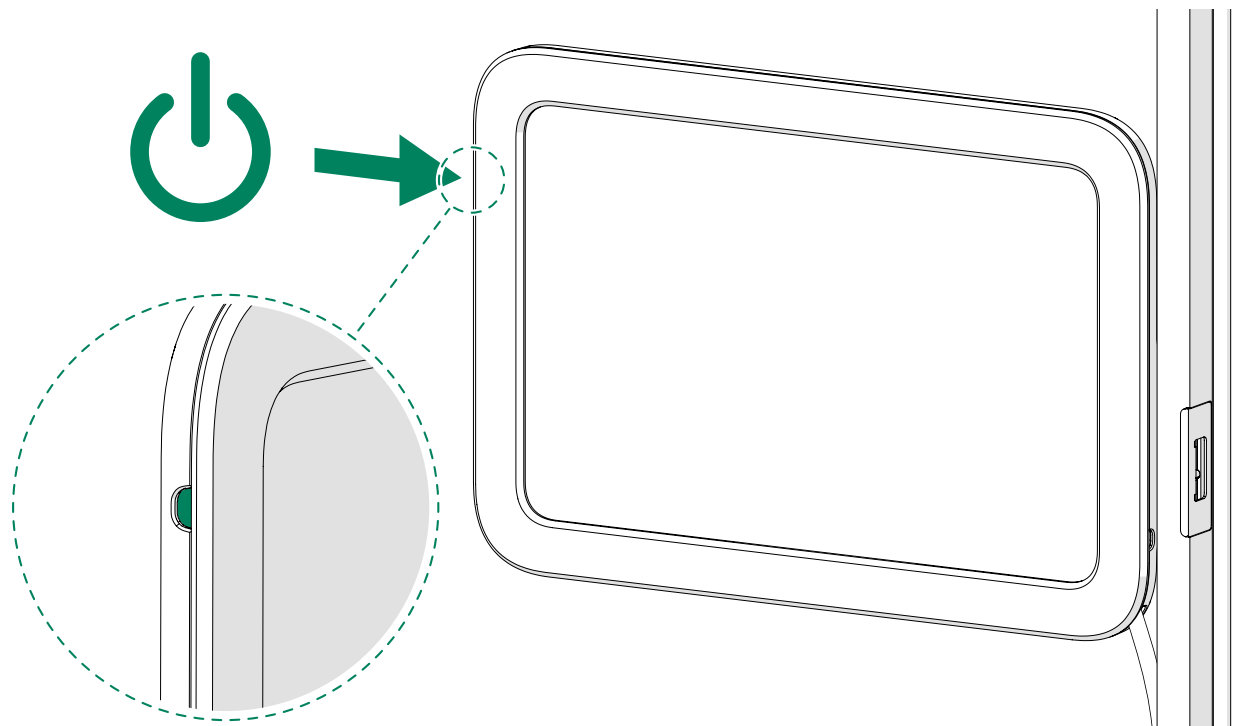
5.  **Note:** Do not overtighten the screw.



7. Install the sticker on the other side of the glass wall.



- 8.



Install the Framery Room Sensor according to the separate sensor setup guide.

framery

Meeting room kit
Installation instructions
Patamäenkatu 7
33900 Tampere
FINLAND
VAT: FI 23527139