

**Framery Six**  
**Installation instructions**

English  
Version H.1  
Tampere, Finland 04.02.2026

# Contents

<b>Important safety and product instructions.....</b>	<b>4</b>
Preface.....	4
Product information.....	4
Copyright.....	4
Manual contents.....	4
<b>Installation requirements.....</b>	<b>5</b>
Components and accessories.....	5
Tools and accessories.....	5
Main dimensions.....	5
Required installation space.....	6
Seismic anchoring requirements.....	6
<b>1 Chassis.....</b>	<b>7</b>
1.1 Assemble the front frame.....	7
1.2 Assemble the back frame.....	8
1.3 Install the bottom corners and floor extensions.....	8
1.4 Install the floor boards.....	9
1.5 Install the vertical frames.....	12
1.6 Install the horizontal frames and middle frame.....	12
1.7 Install the horizontal supports.....	14
1.8 Install the back glasses.....	15
1.8.1 Tighten the screws of the back glass wall.....	16
1.9 Install the front glasses.....	17
1.10 Install the ceiling threshold and end plugs to the doorway.....	19
1.11 Install the inlet modules.....	20
1.12 Install the outlet modules.....	23
1.13 Install the wall exterior panels.....	23
1.14 Install the universal brackets.....	25
1.15 Install the coat hooks (optional).....	26
<b>2 Electrics.....</b>	<b>28</b>
2.1 Install the power units.....	28
2.1.1 Install the USB-C modules (optional).....	29
2.2 Install the core unit.....	30
Make the electrical connections (core unit).....	31
2.3 Install the wiring harness (core unit).....	35
2.4 Install the radar unit.....	37
Make the electrical connections (radar unit).....	38
2.5 Install the wiring harness (radar unit).....	41
2.6 Connect the core and radar units.....	44
<b>3 Exterior.....</b>	<b>46</b>
3.1 Install the roof exterior panels (corners).....	46

3.2 Install the roof exterior panels (middle, front, and back) and bottom exterior panels.....	47
3.3 Install the fan covers.....	48
3.4 Install the floor exterior panels.....	49
3.5 Install the floor covers.....	50
3.6 Install the AC power cord.....	51
3.6.1 Route the AC power cord through the floor.....	52
3.6.2 Route the AC power cord through the roof.....	53
3.6.3 Install the LAN cord (optional).....	54
3.7 Install the add-on rails.....	54
3.8 Install the occupancy lights.....	55
<b>4 Door.....</b>	<b>56</b>
4.1 Install the carpet.....	56
4.2 Install the threshold.....	56
4.3 Install the door.....	57
4.4 Install the door handle.....	58
4.5 Adjust the door.....	58
4.6 Adjust the closing speed of the door.....	60
4.7 Change the door handedness (optional).....	61
<b>5 Interior.....</b>	<b>66</b>
5.1 Install the wall acoustic panels.....	66
5.2 Install the roof acoustic panels.....	66
5.3 Install the ceiling interior panels.....	67
5.4 Install the wall and middle interior panels.....	68
5.5 Install the lights.....	69
5.6 Install the cable channels.....	70
5.7 Install the kickboards.....	71
5.8 Install the gaskets.....	71
5.8.1 Check the alignment of the interior panels.....	73
5.9 Install the table.....	73
5.10 Install the touchscreen holder and touchscreen.....	77
5.11 Install the monitor wall mount.....	80
5.12 Install the whiteboard (optional).....	81
5.12.1 Install the whiteboard on the inside of the pod.....	81
5.12.2 Install the whiteboard on the outside of the pod.....	82
5.13 Install the exterior carpet (optional).....	84
<b>6 Finalize the installation.....</b>	<b>85</b>

# Important safety and product instructions

## Preface

This instruction manual describes the installation of the product. Everyone involved in installing the product must read and understand the contents of the installation and safety instructions.

This instruction manual gives you necessary information for the correct installation of the product.

For complete product and safety instructions, see **[help.framery.com](https://help.framery.com)**.

## Product information

The information in this manual corresponds to the product at the time of delivery. All information included in this manual is valid at the time of publication.

## Copyright

This document must not be copied, presented, or delivered to a third party without explicit permission from Framery. The use of this document for any purpose other than those allowed by Framery is prohibited. Framery reserves the right to change the instructions related to the product without separate notice.

## Manual contents

The installation instructions contain the following information:

- General information about the purpose and content of the instructions
- Information related to safety
- Installation instructions

# Installation requirements

## Components and accessories

Review the contents of the packaging along the installation instructions to confirm that the appropriate components and accessories are being used with the pod.

## Tools and accessories

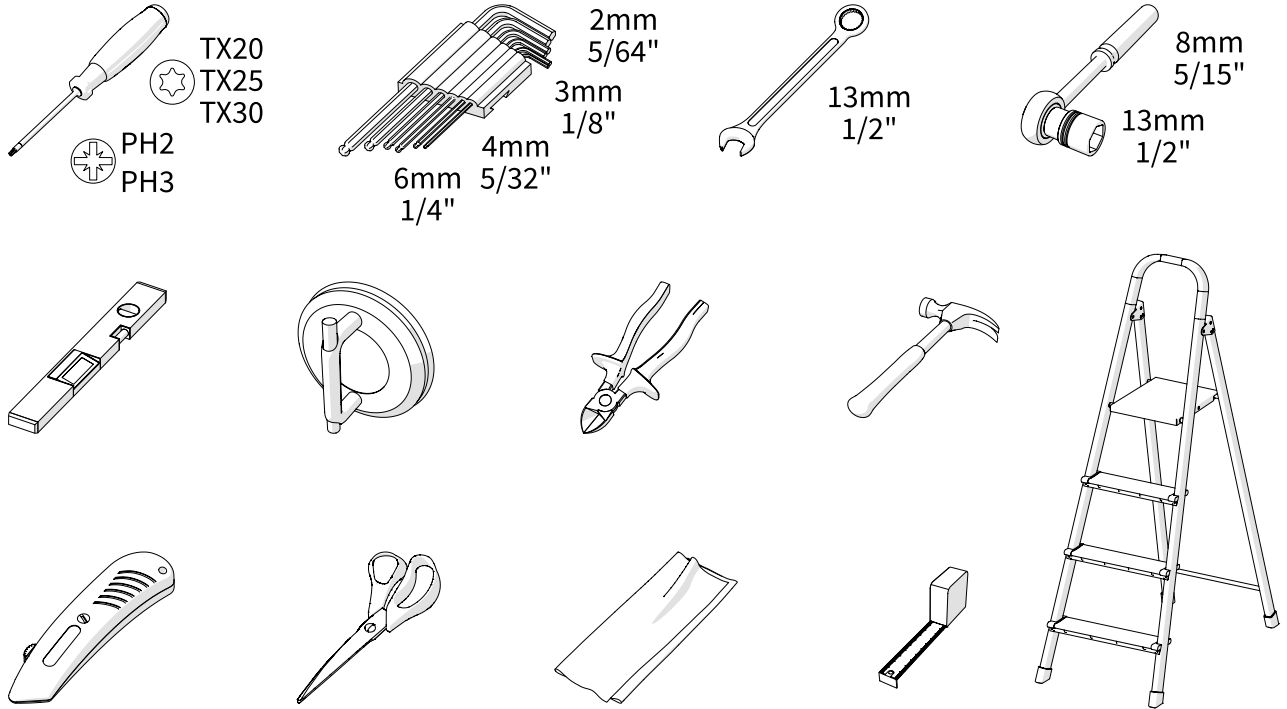
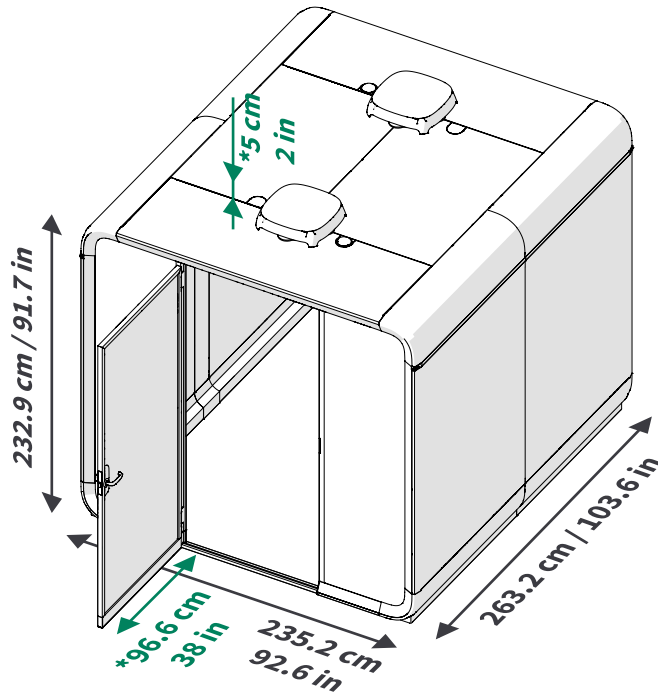


Figure 1: Tools and accessories

## Main dimensions

The following figure shows the dimensions of the pod (in black), along with the required room height and door clearance (in green).



### Required installation space

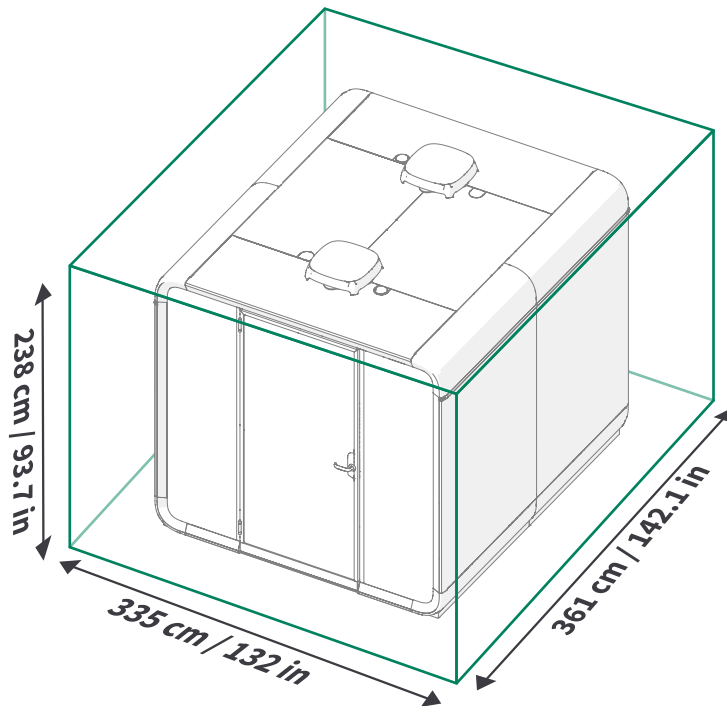


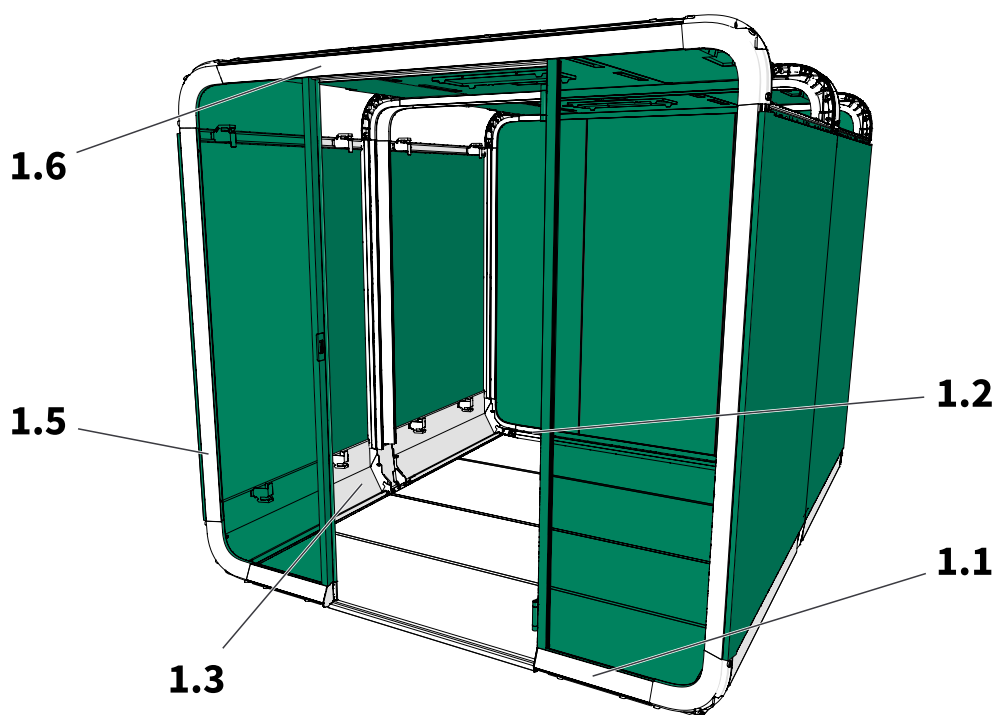
Figure 2: Required working space during installation

### Seismic anchoring requirements



**Note:** If the delivery includes the seismic kit, follow the separate Seismic kit installation instructions on [help.framery.com](http://help.framery.com).

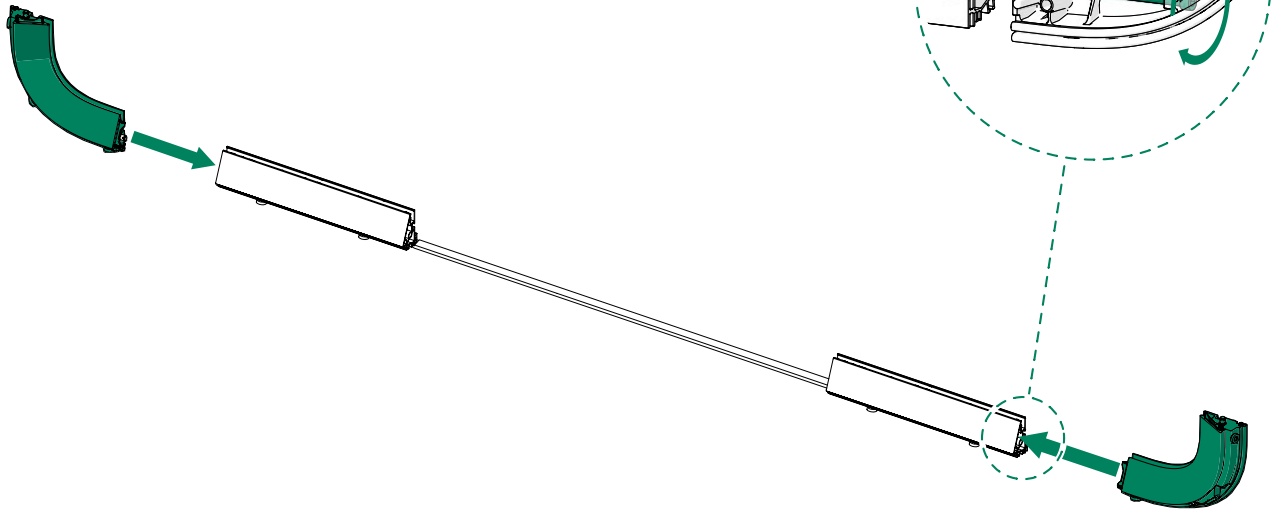
# 1 Chassis




1.1	Front frame	1.5	Vertical frame (8 pcs)
1.2	Back frame	1.6	Horizontal frame (2 pcs)
1.3	Bottom corners and floor extensions (6 pcs)	1.6	Middle frame

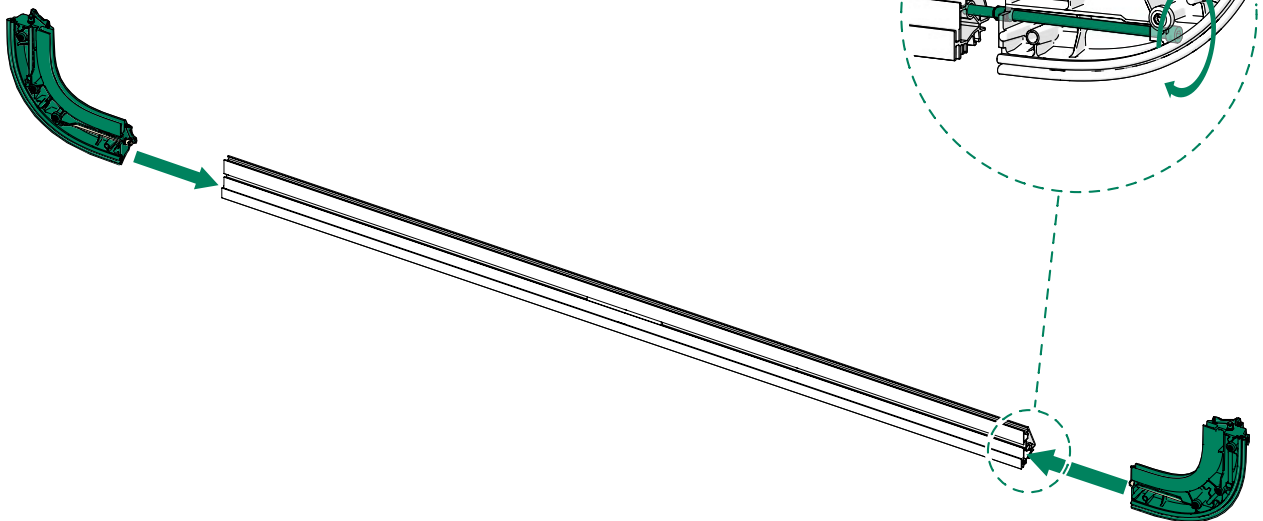
## 1.1 Assemble the front frame

⚠ **Note:** Make sure that the bolts are properly tightened.



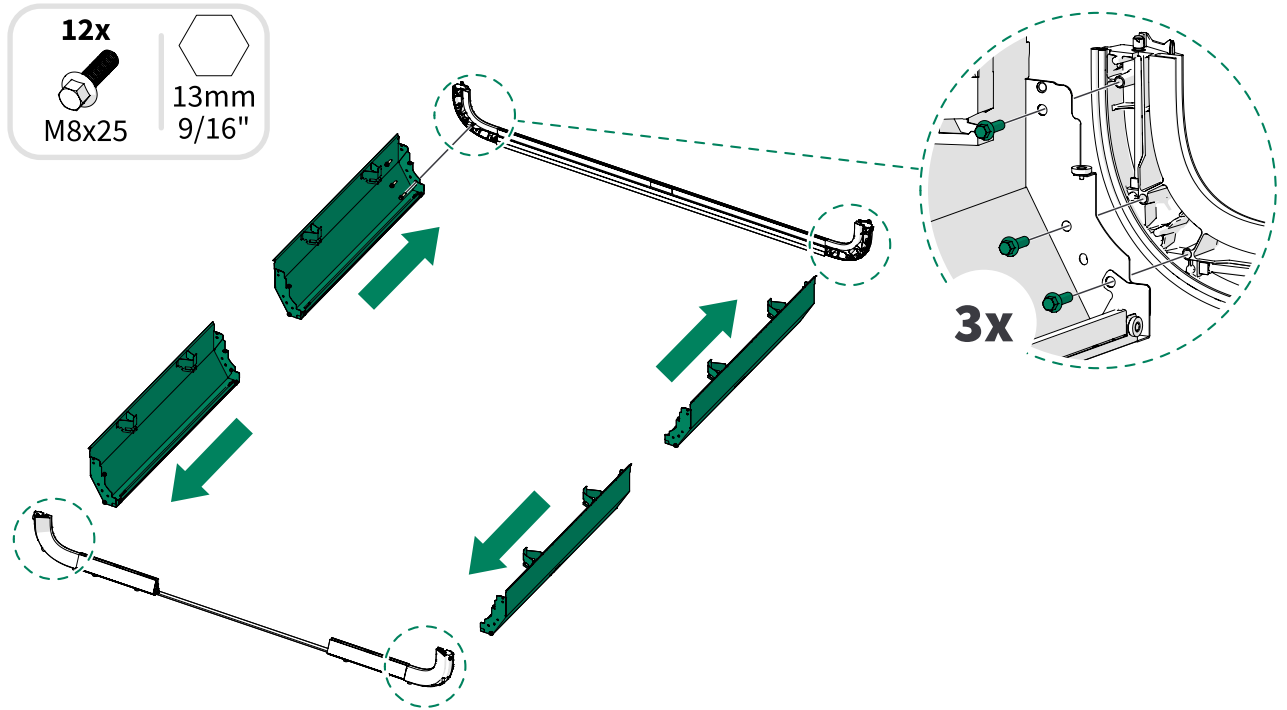
## 1.2 Assemble the back frame

 **Note:** Make sure that the bolts are properly tightened.

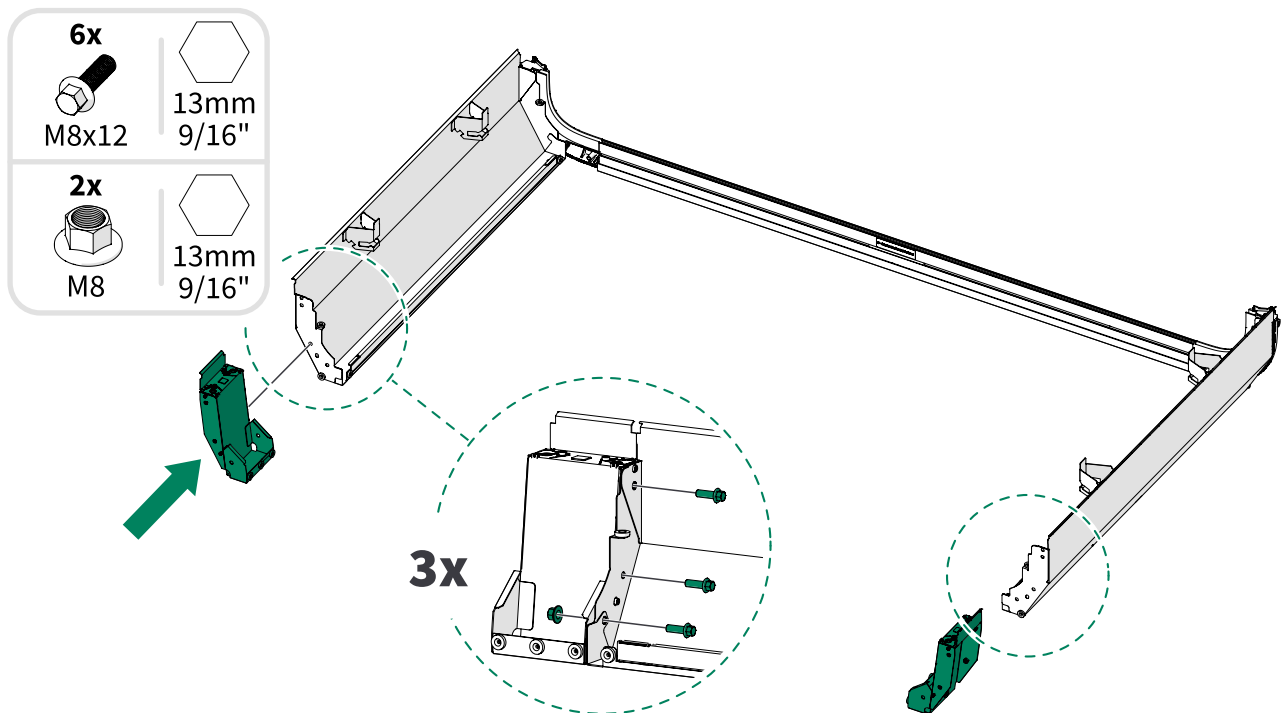


## 1.3 Install the bottom corners and floor extensions

1.



2.



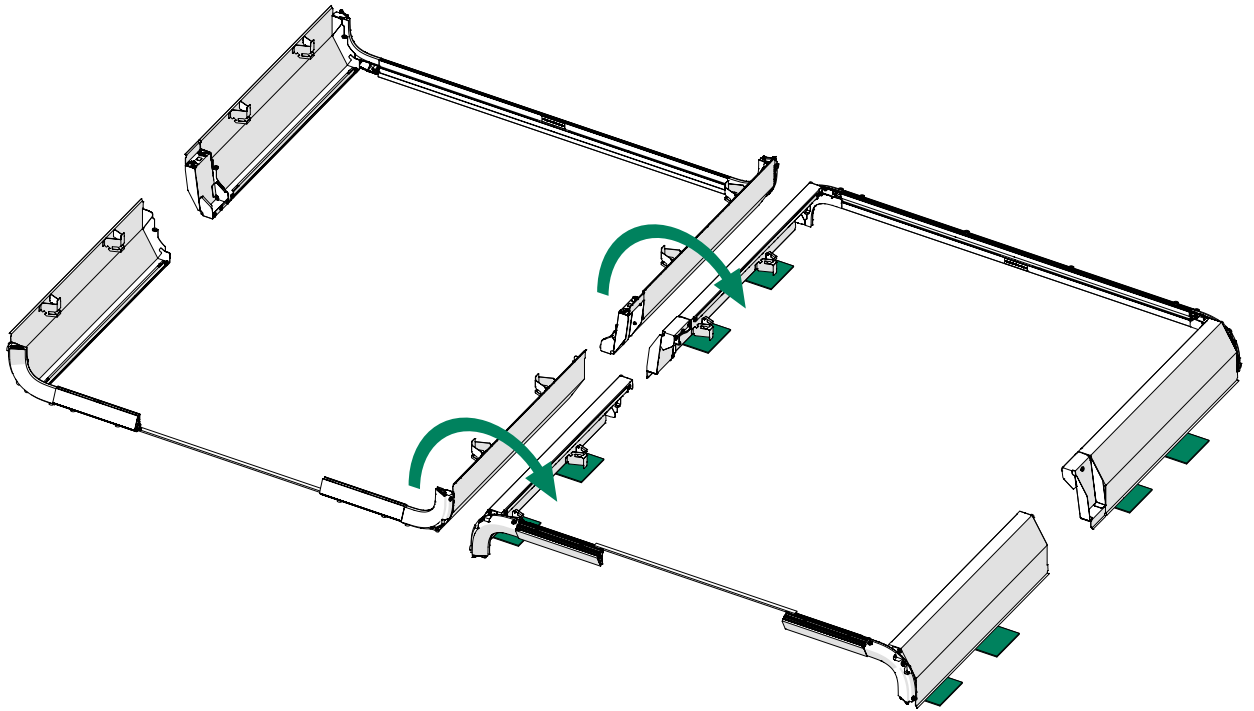
## 1.4 Install the floor boards

**Attention:** Make sure that the floor board with a recess is placed where the door will be.

1.



**Note:** Place a carpet on the floor before flipping the bottom frame. The metal hooks on the frame could scratch the floor.



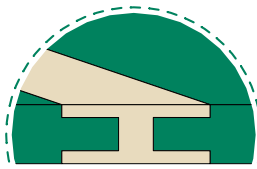
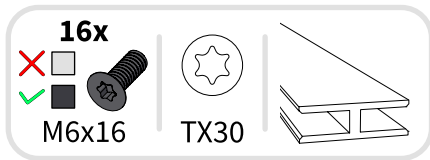
2.



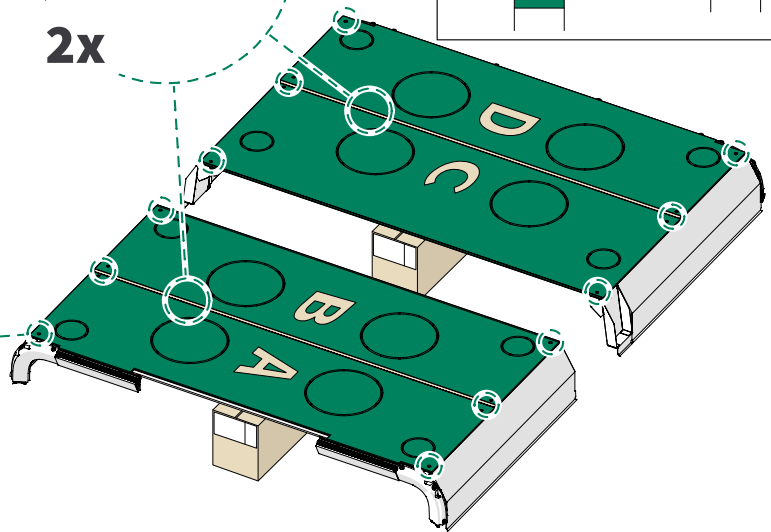
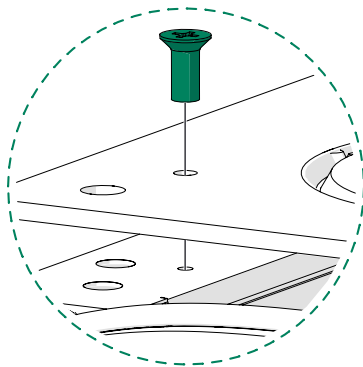
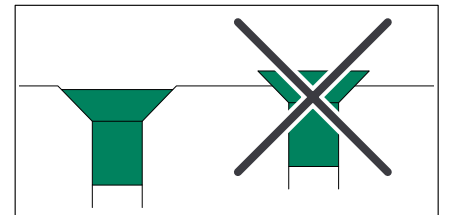
**Note:** Place the floor board with a recess nearest to the door.



**Tip:** Place the corner frame boxes under the floor boards to avoid bending the boards.



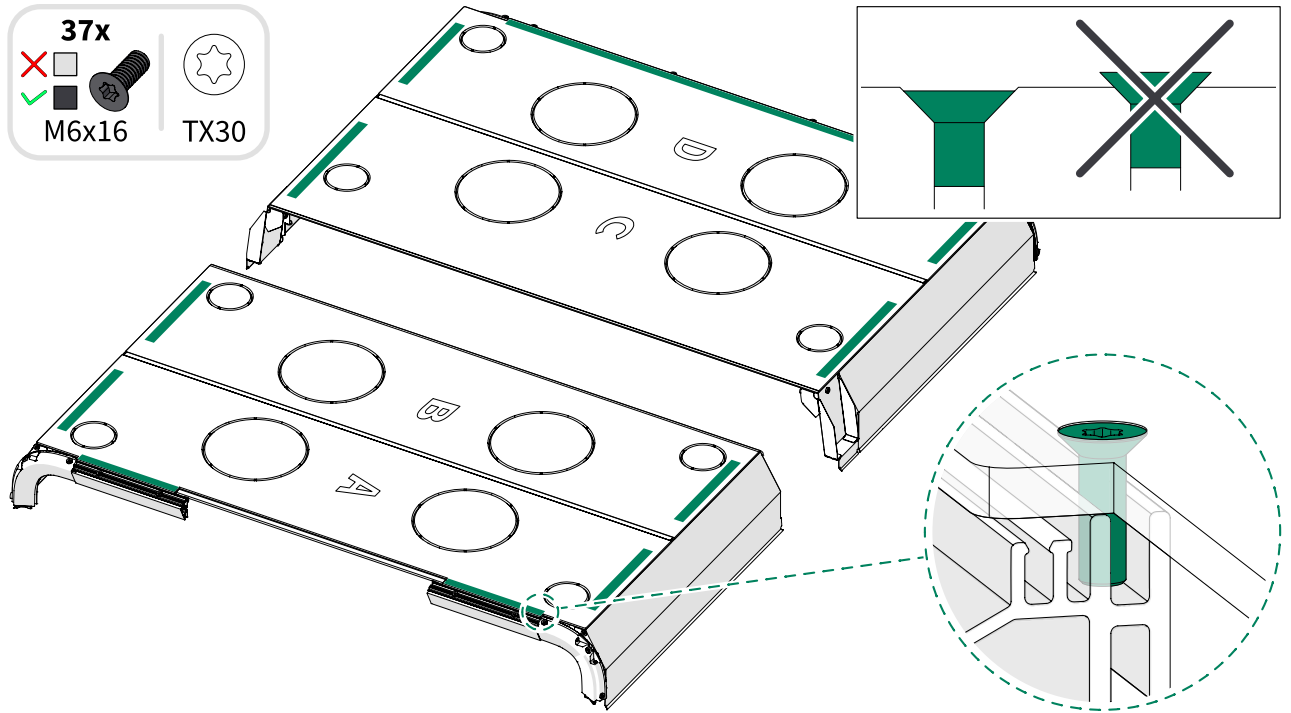
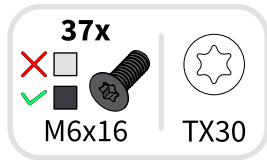
2x



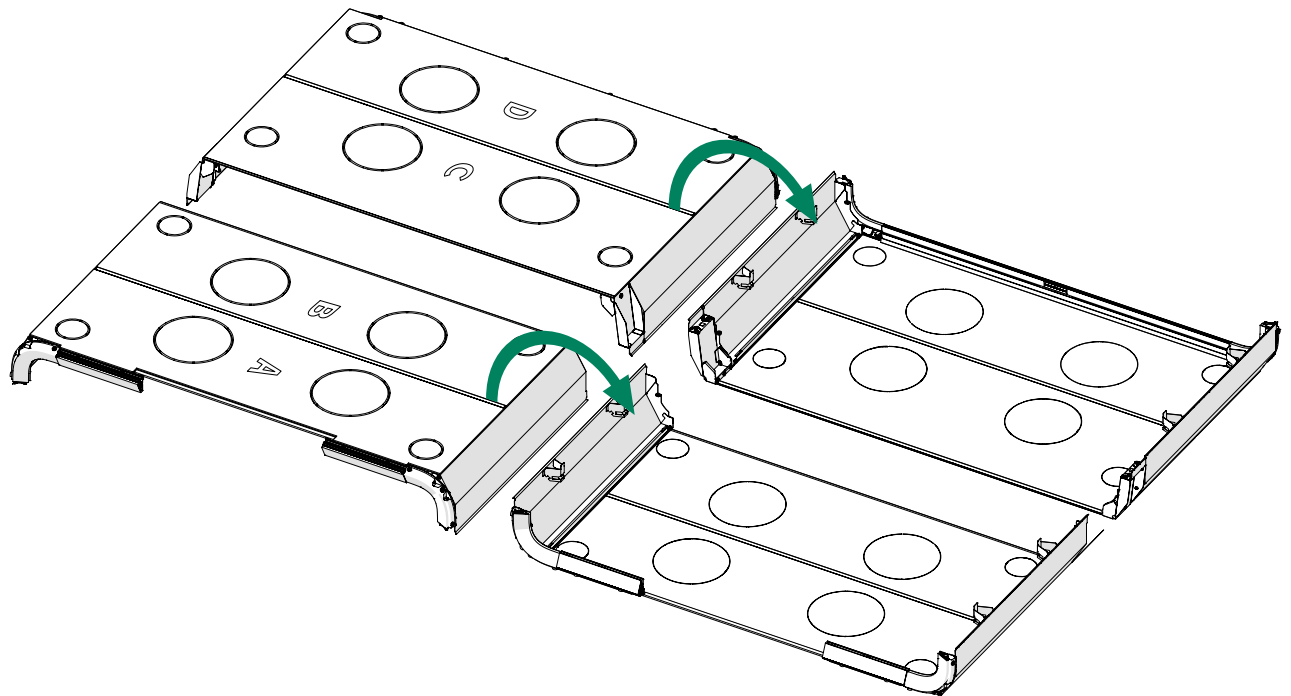
3.



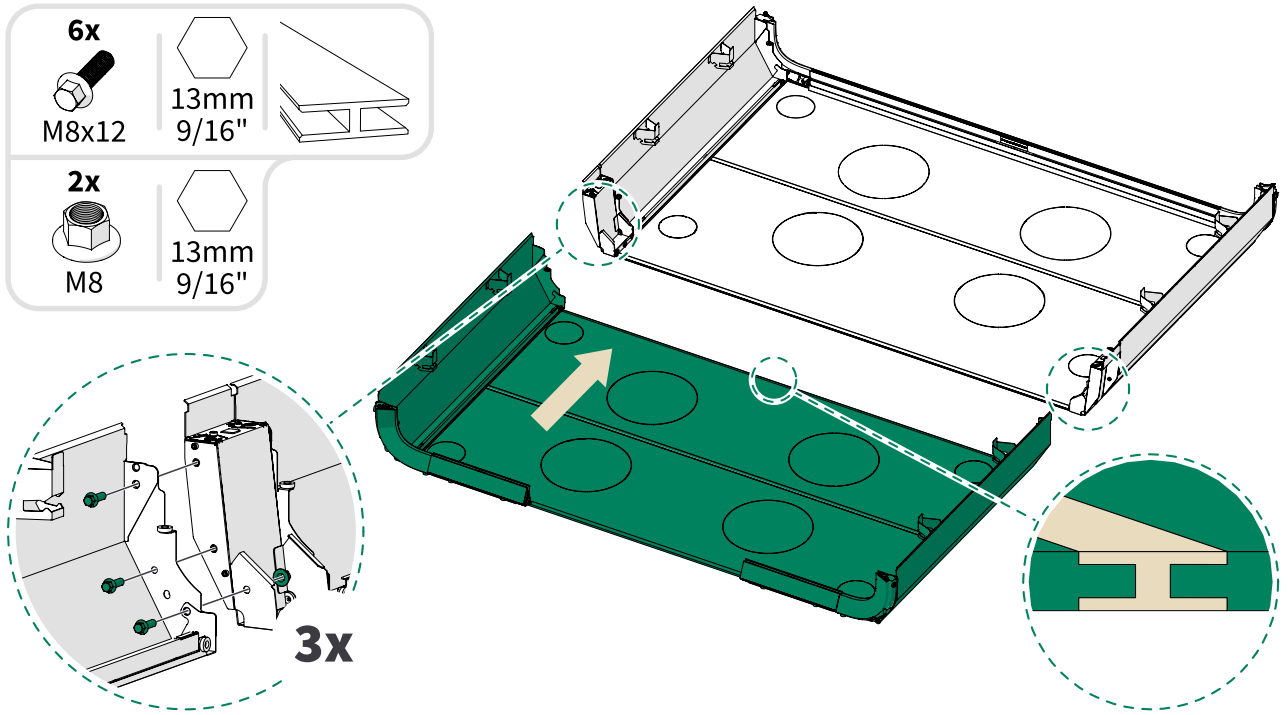
**Note:** Make sure that the screw heads are level with the floor boards.



4.

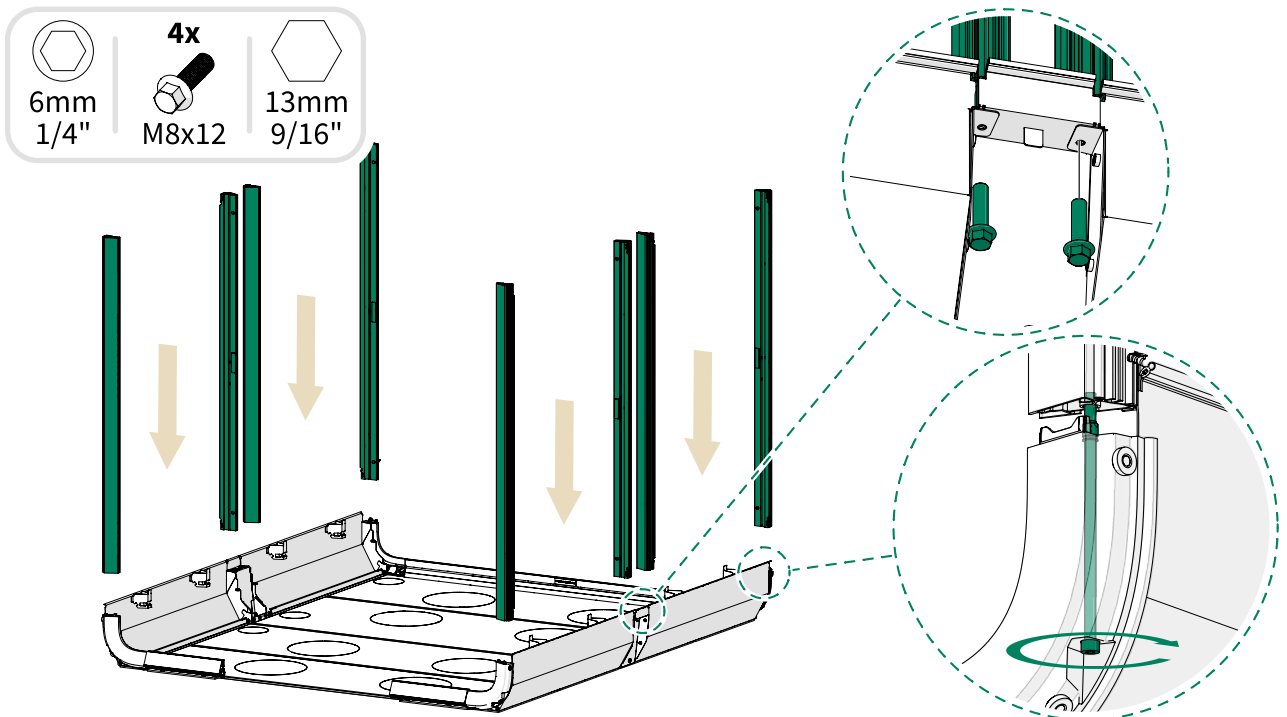


5.



### 1.5 Install the vertical frames

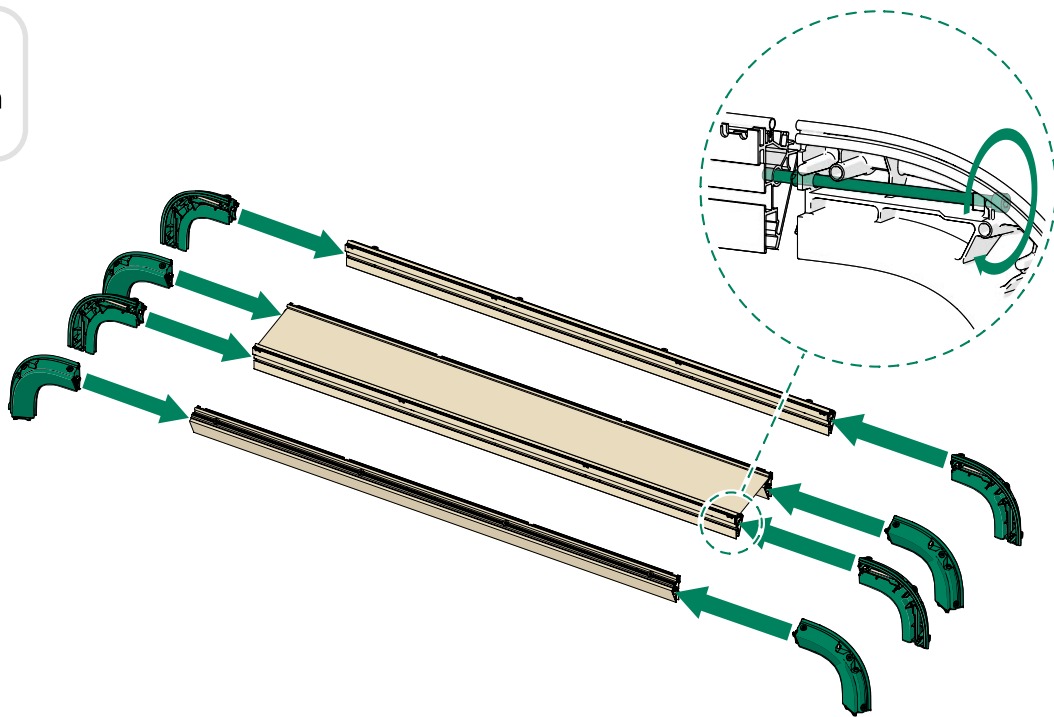
⚠ **Note:** Make sure that the bolts are properly tightened.



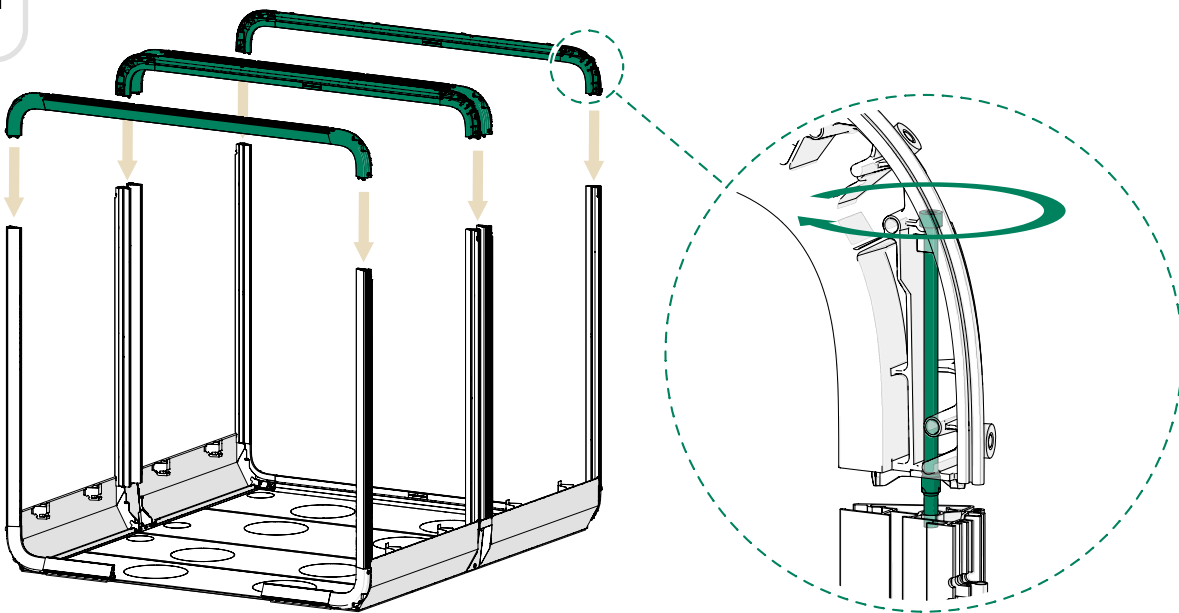
### 1.6 Install the horizontal frames and middle frame

⚠ **Note:** Make sure that the bolts are properly tightened.

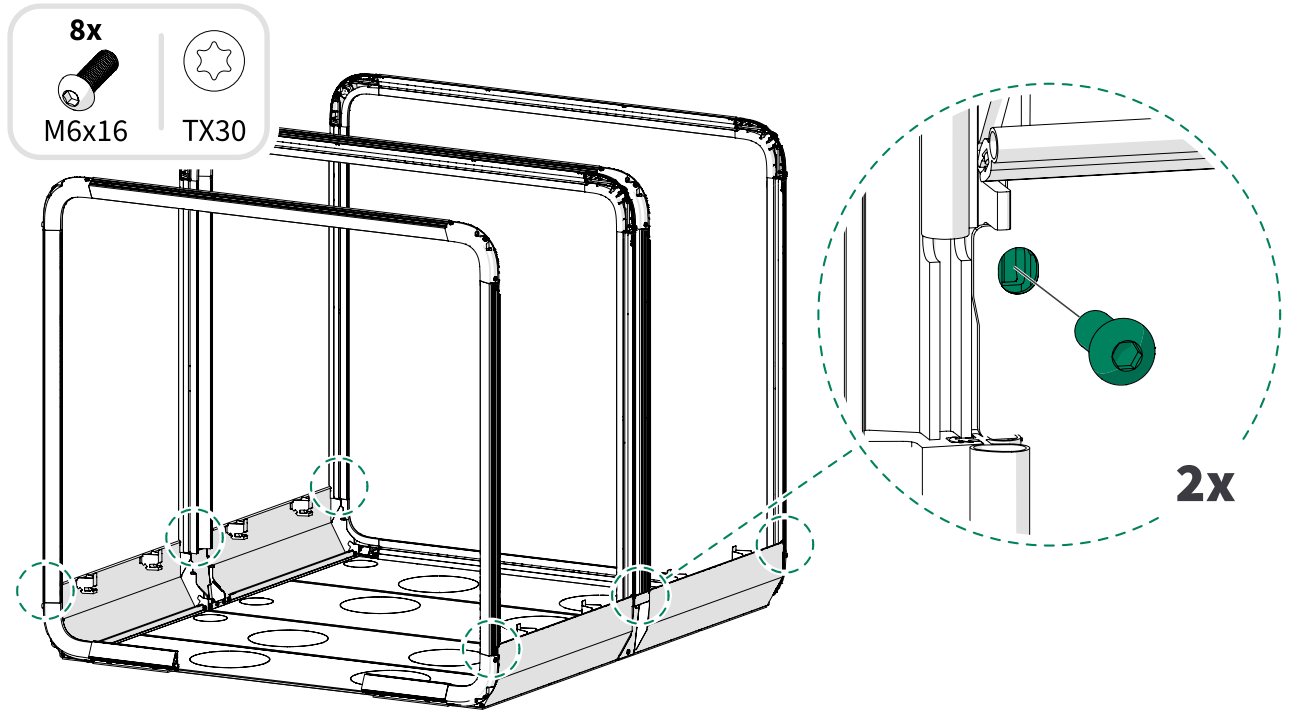
1.



2.

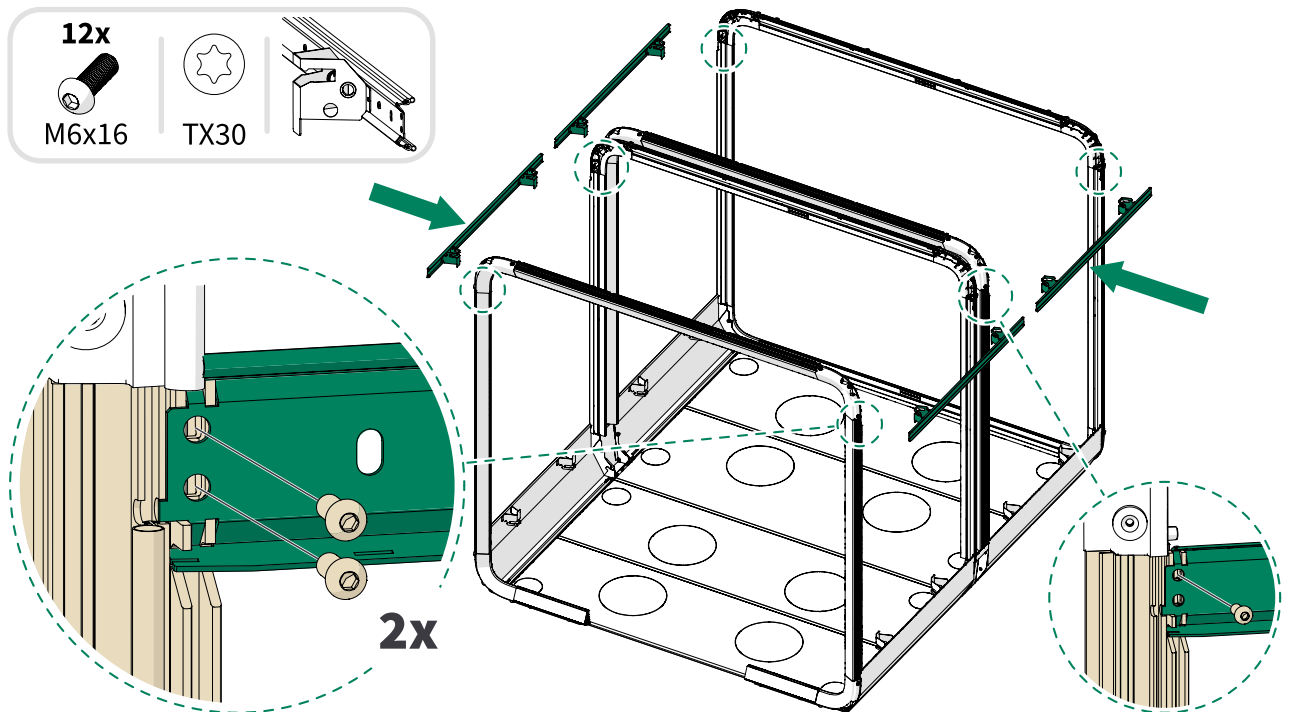


3.

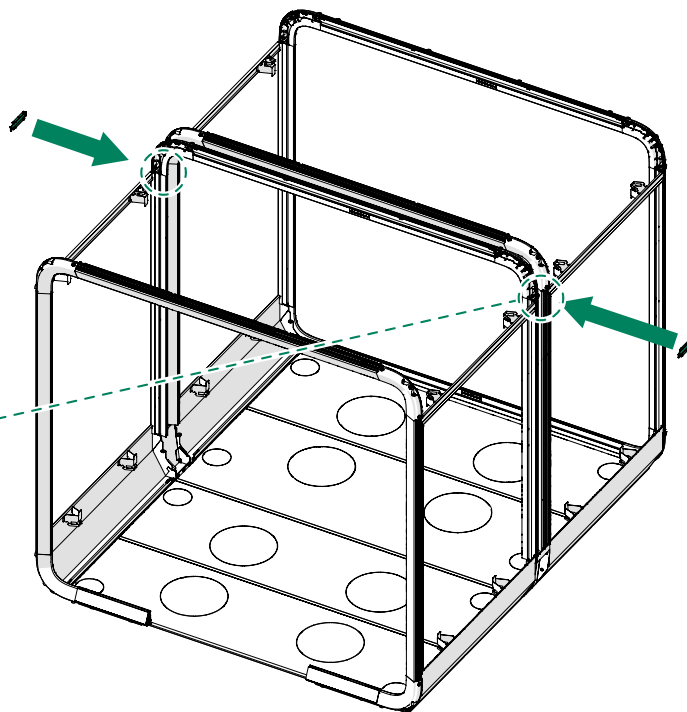
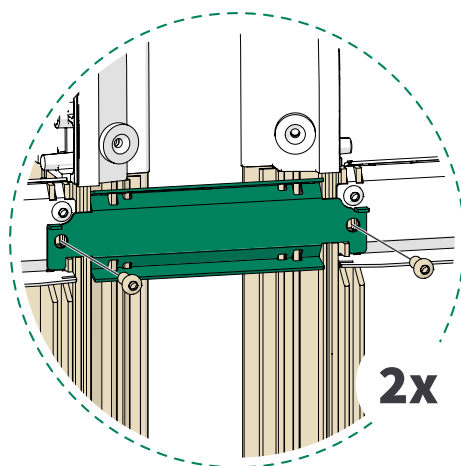
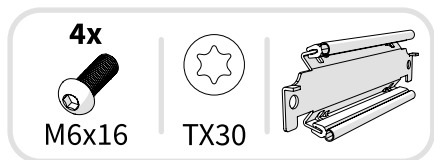


### 1.7 Install the horizontal supports

1.



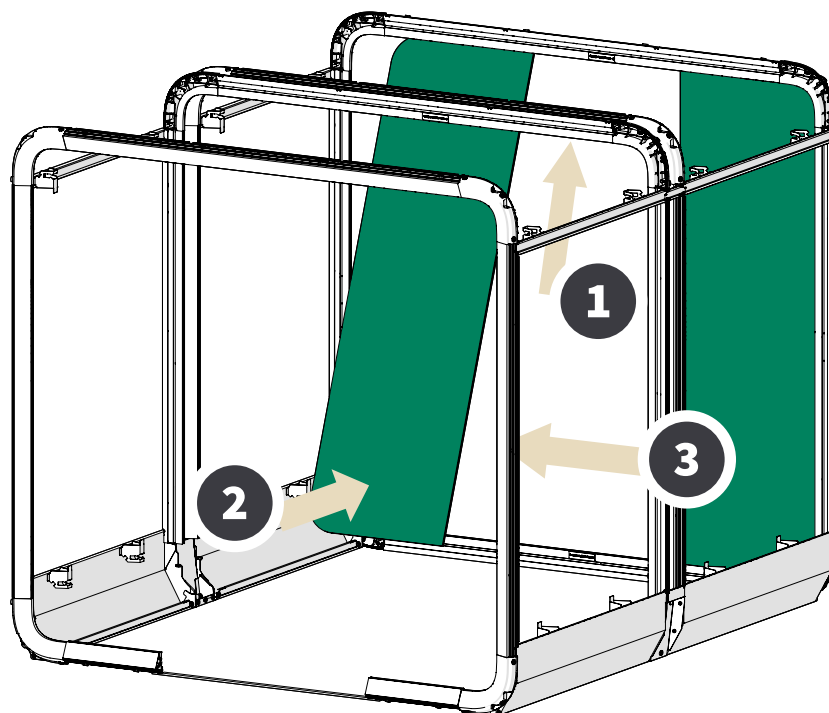
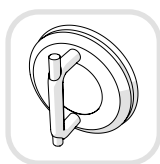
2.



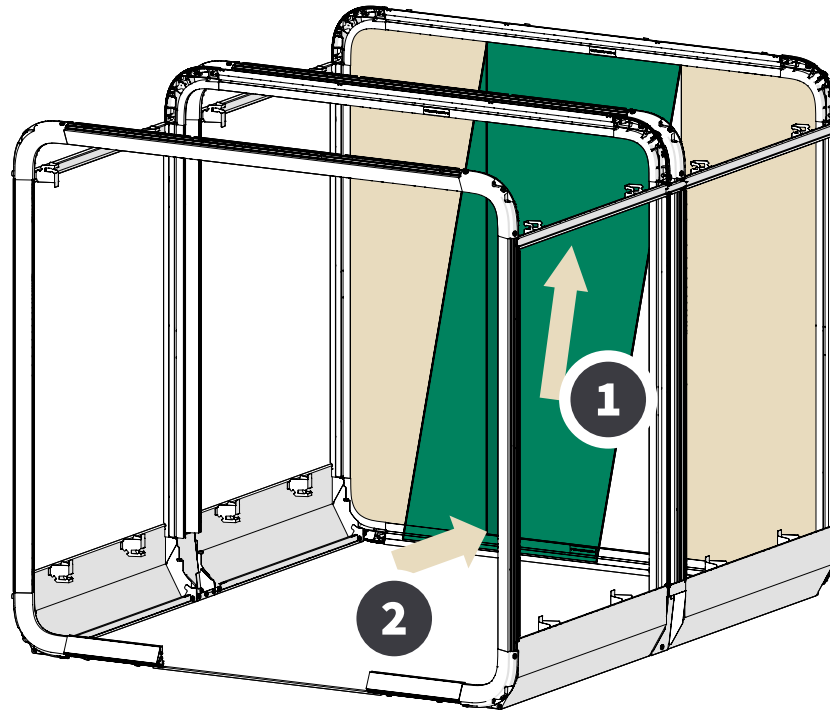
### 1.8 Install the back glasses

- ⚠ **Note:** Use suction cups to move glass components.
- ⚠ **Note:** Handle glasses with care. To avoid cracks in the glass edges, do not slide the glasses with force against the vertical frame.

1.



2.



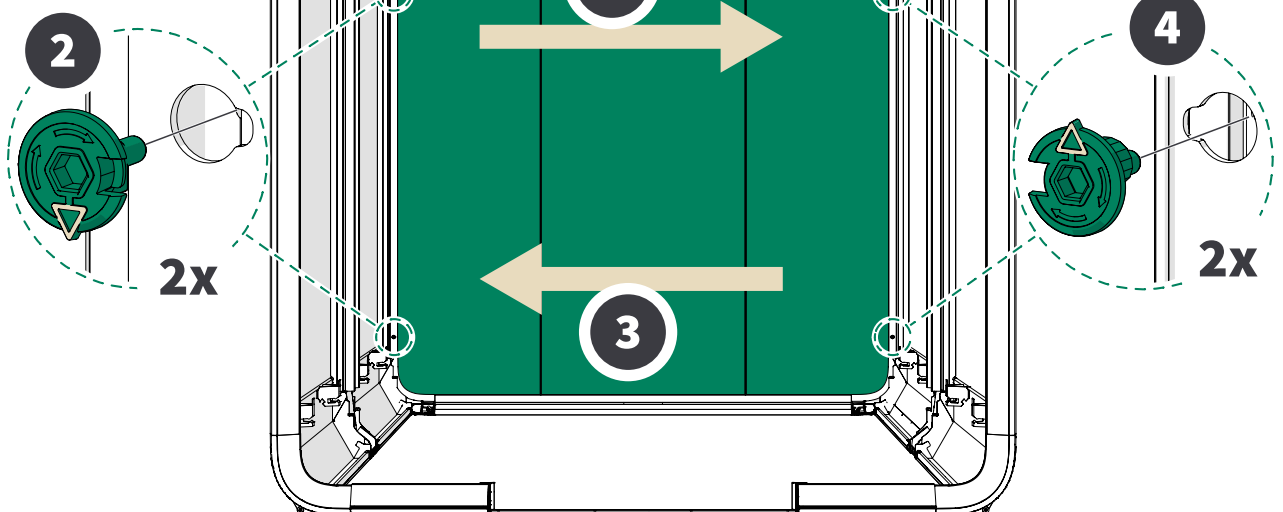
### 1.8.1 Tighten the screws of the back glass wall

Gently push all the glasses against the outer edge of the frame groove before tightening them with the glass locking pins.

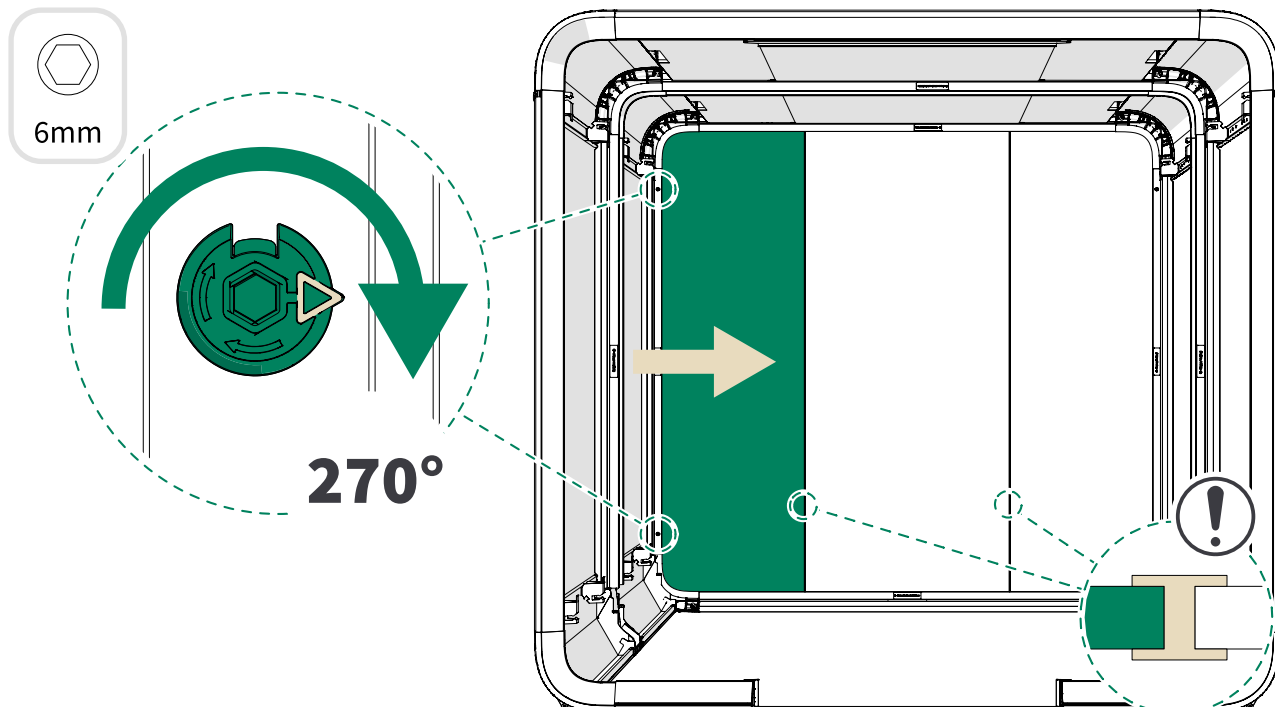


**Note:** Make sure that the glasses form a flat and even surface with no gaps or thresholds between the glasses.

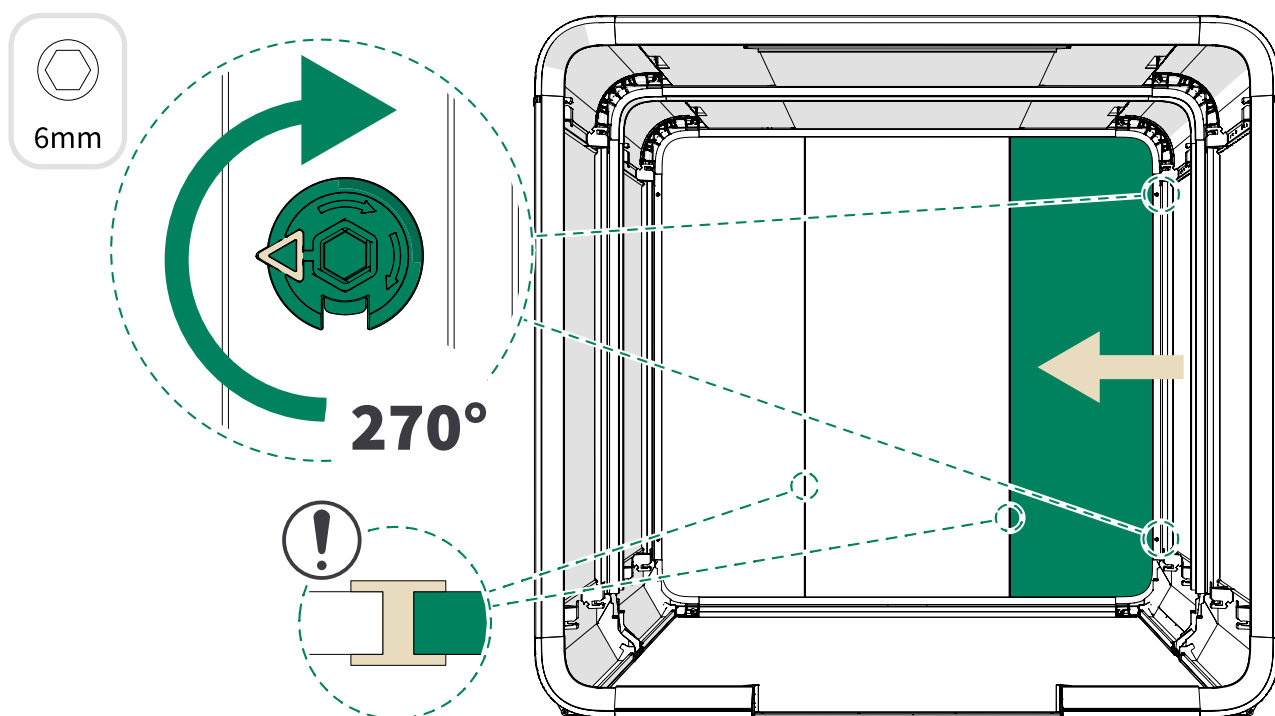
1.



2.



3.



## 1.9 Install the front glasses

- ⚠ **Warning:** The glasses can slide out of the pod frame. Hold each glass in place until they are secured with screws.
- ⚠ **Note:** Use suction cups to move glass components.
- ⚠ **Note:** When sliding the glasses into the front frame of the pod, make sure not to scratch the frame pipes.
- ⚠ **Note:** The orientation of the front glasses determines the door handedness. When you install the glasses, make sure that the hinges and strike plate are positioned correctly.

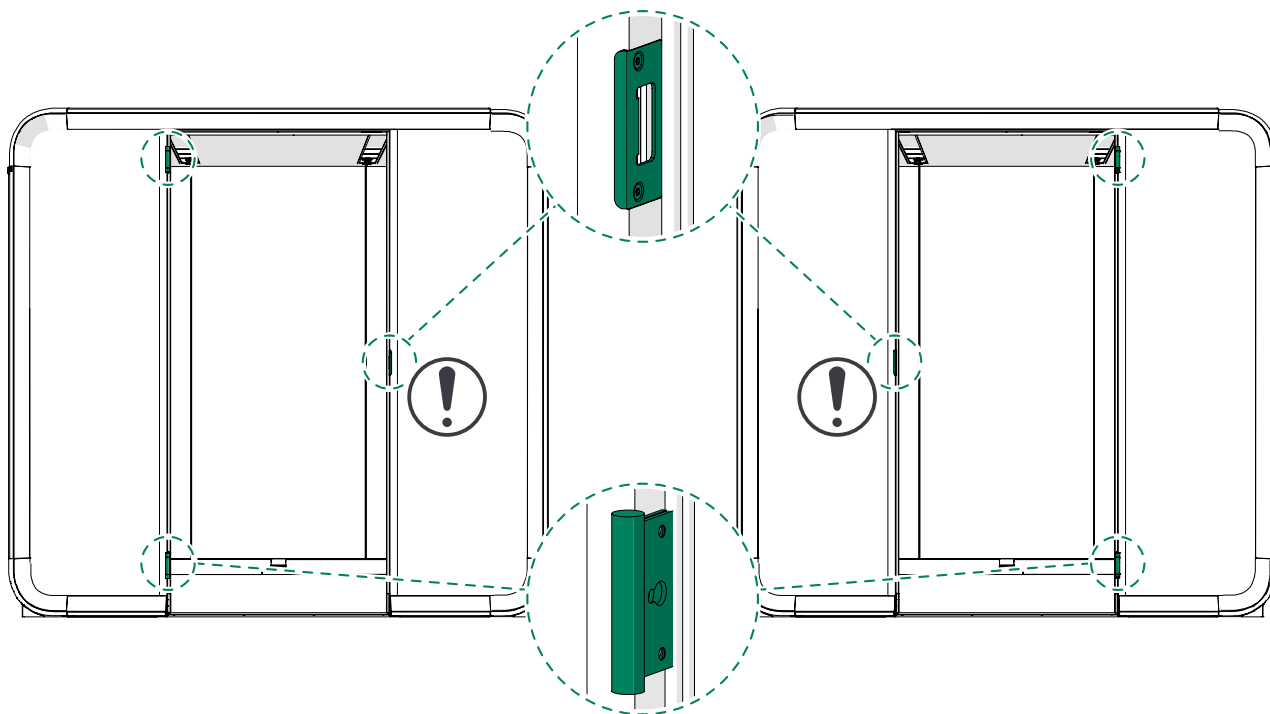
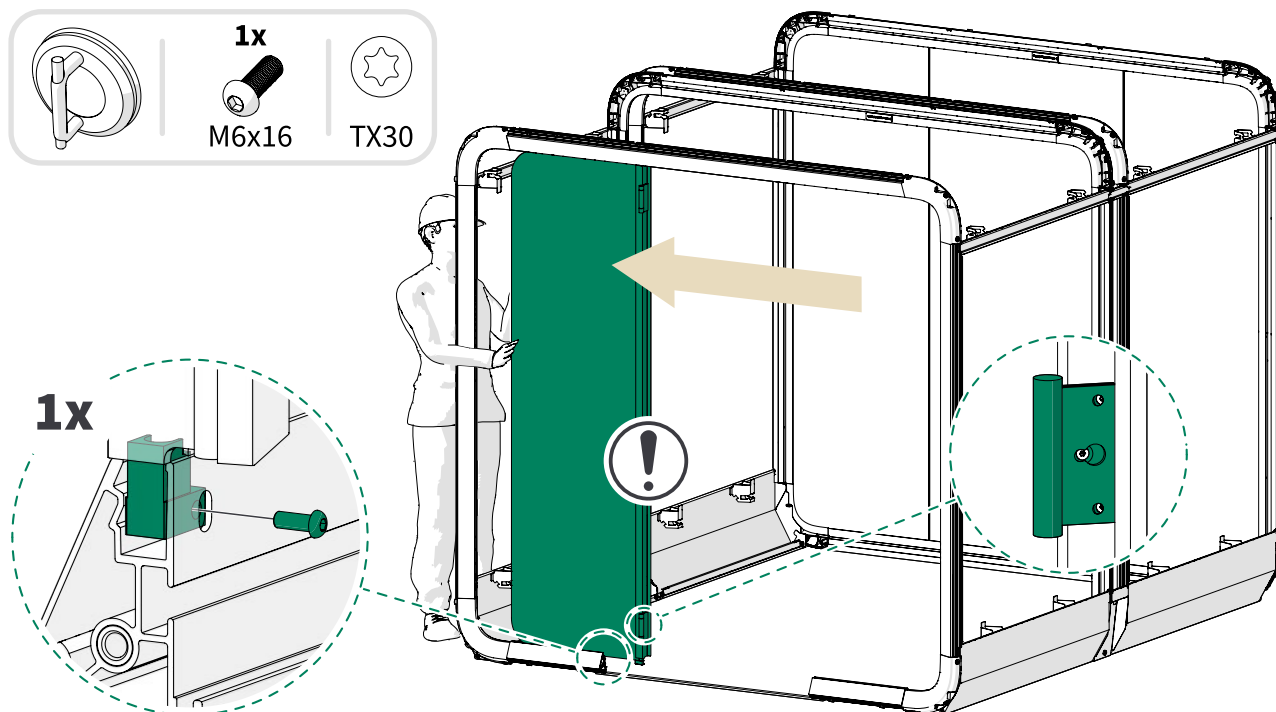
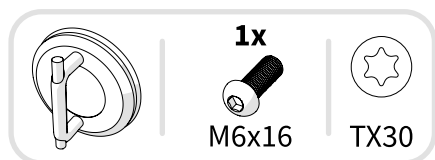
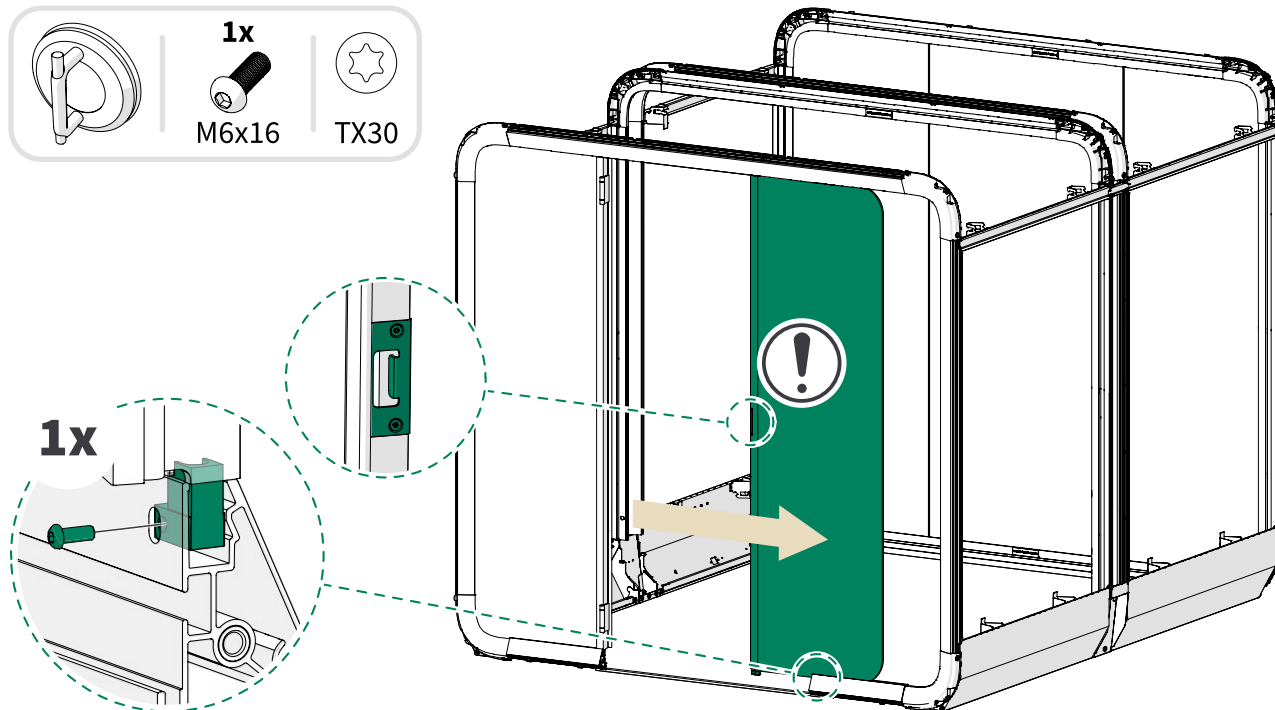


Figure 3: Door handedness. Left: Left-handed door. Right: Right-handed door.

- ⚠ **Note:** Handle glasses with care. To avoid cracks in the glass edges, do not slide the glasses with force against the vertical frame.



2.

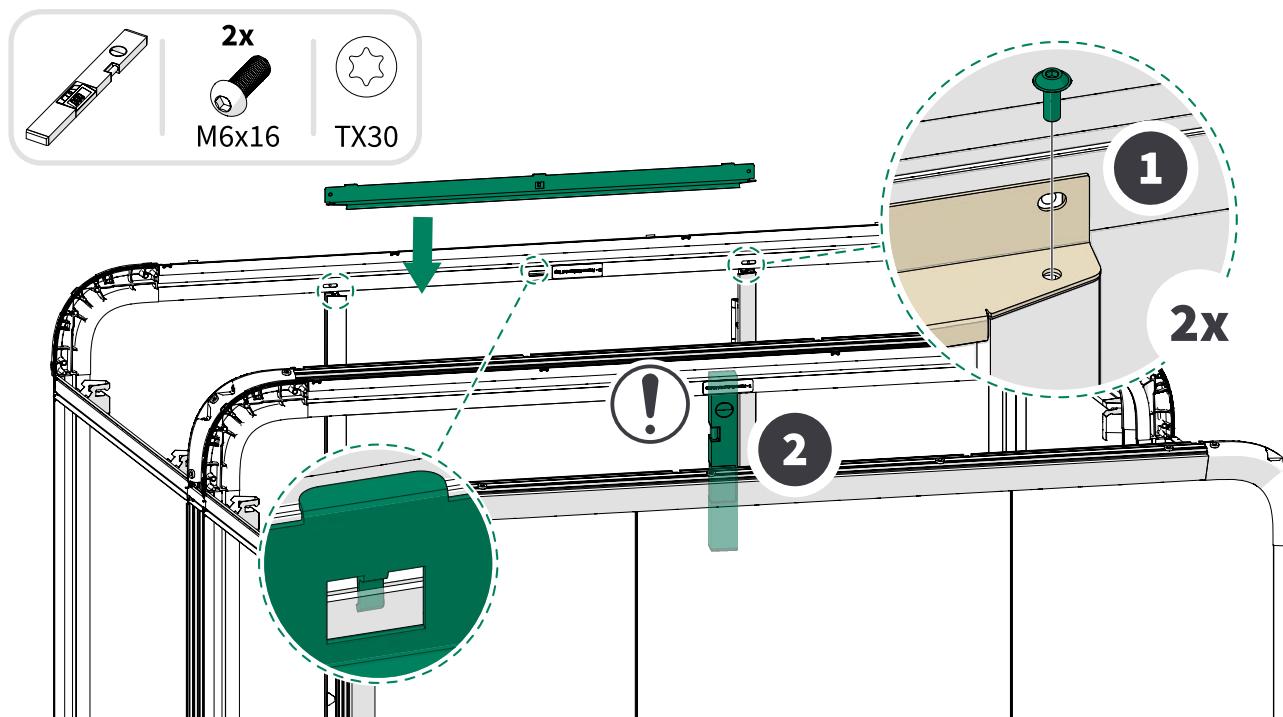


### 1.10 Install the ceiling threshold and end plugs to the doorway

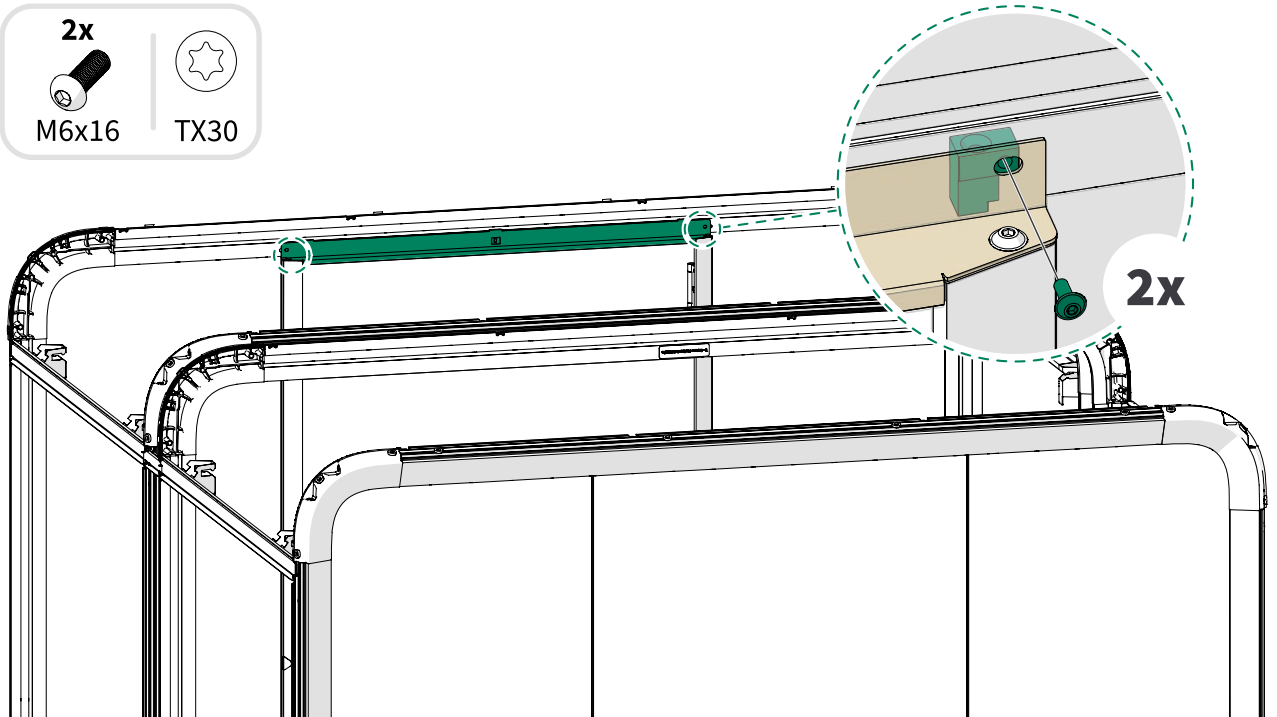
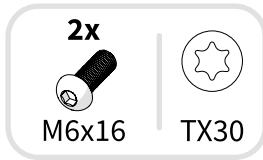
1.



**Note:** Check the straightness of the front glasses with a spirit level before fully tightening the screws of the ceiling threshold.



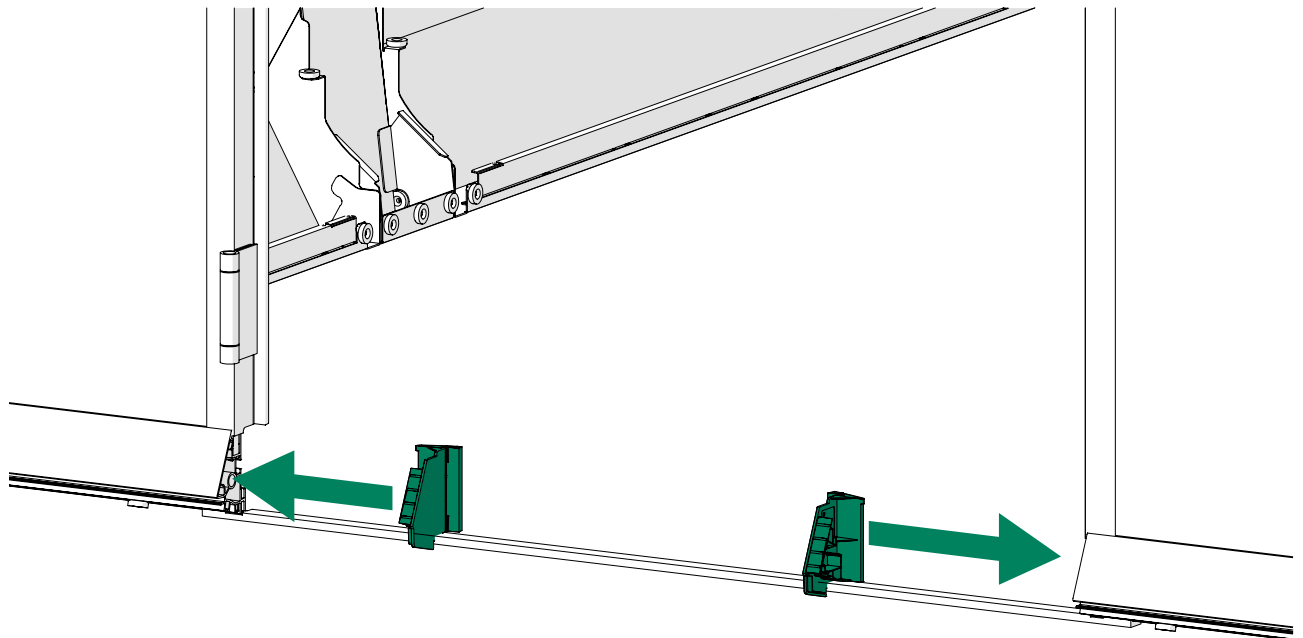
2.




3.

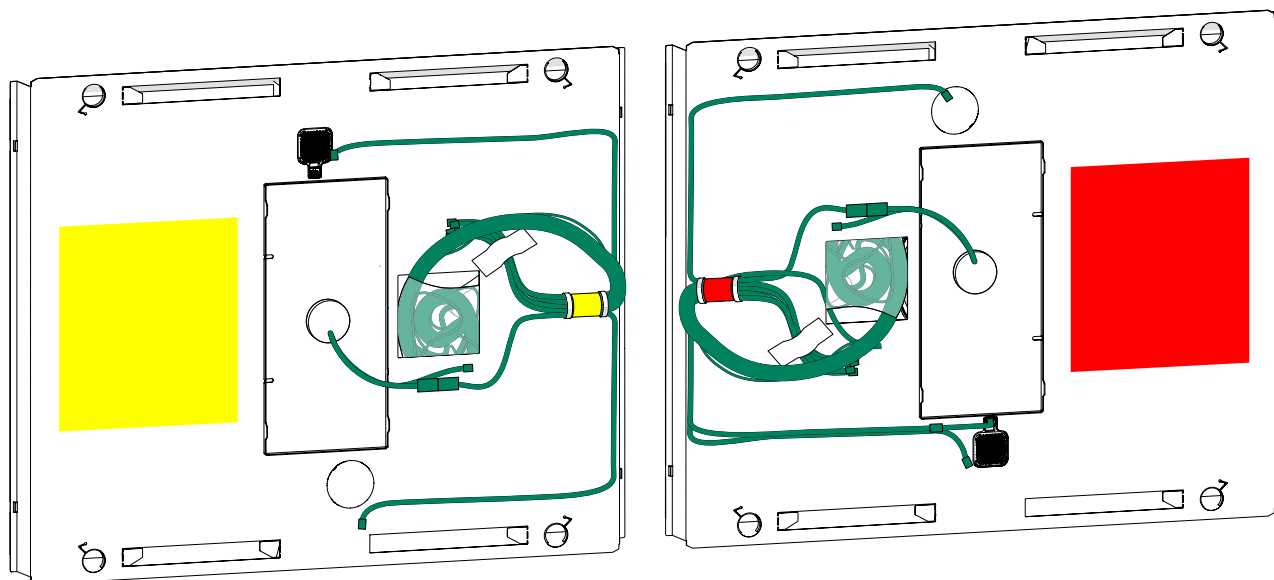


**Note:** Use a rubber mallet to install the plugs.




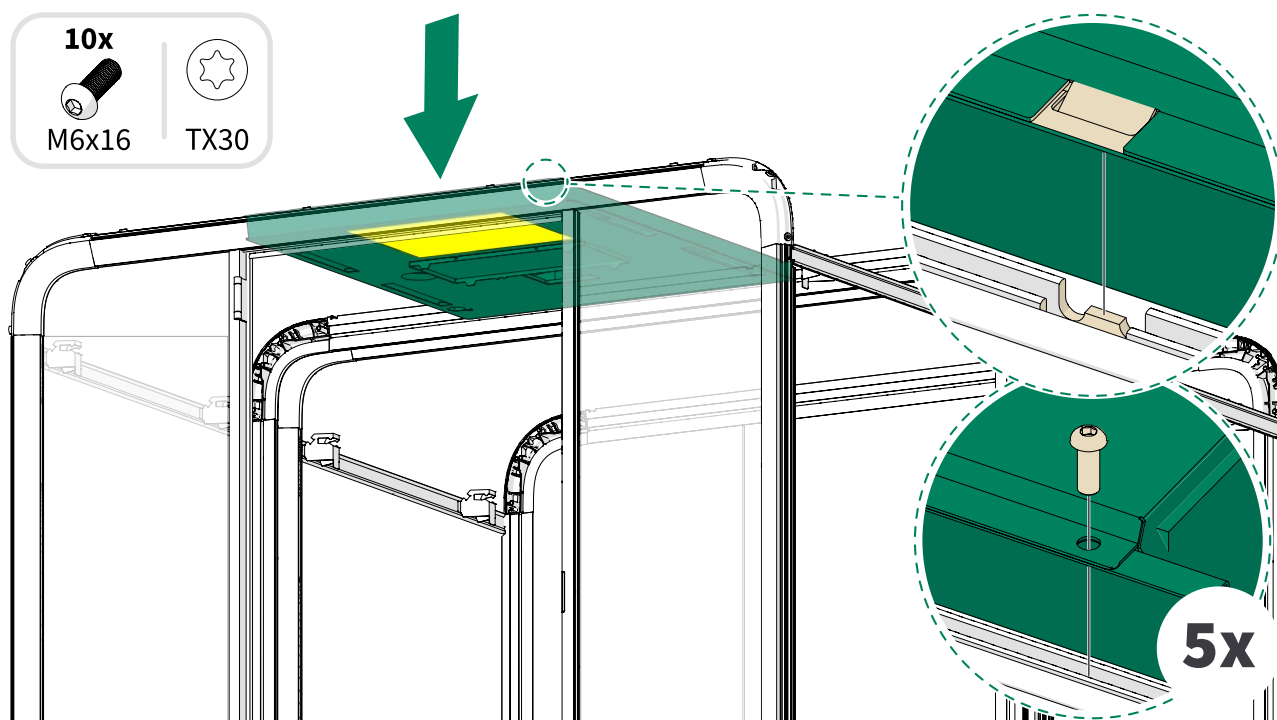
### 1.11 Install the inlet modules

- 
**Note:** The module labeled as yellow goes to the front of the pod.

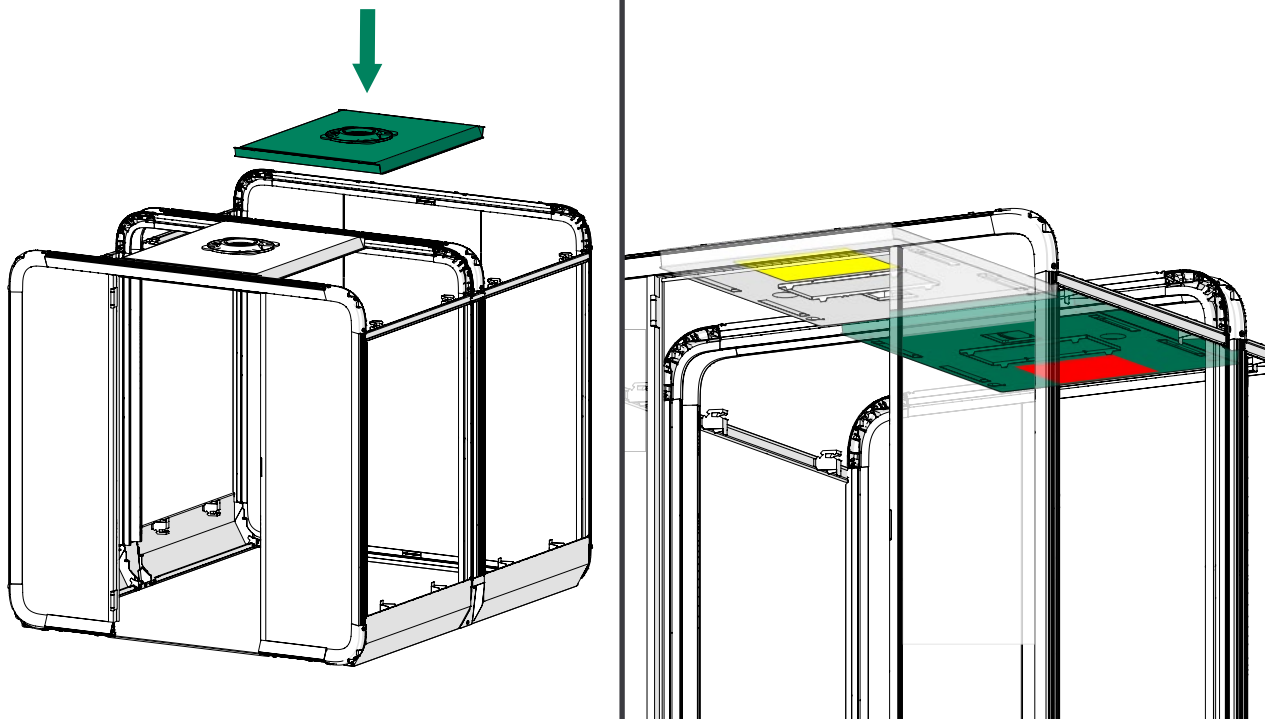


- 
**Note:** Make sure that the inlet modules lock into place on the frames.

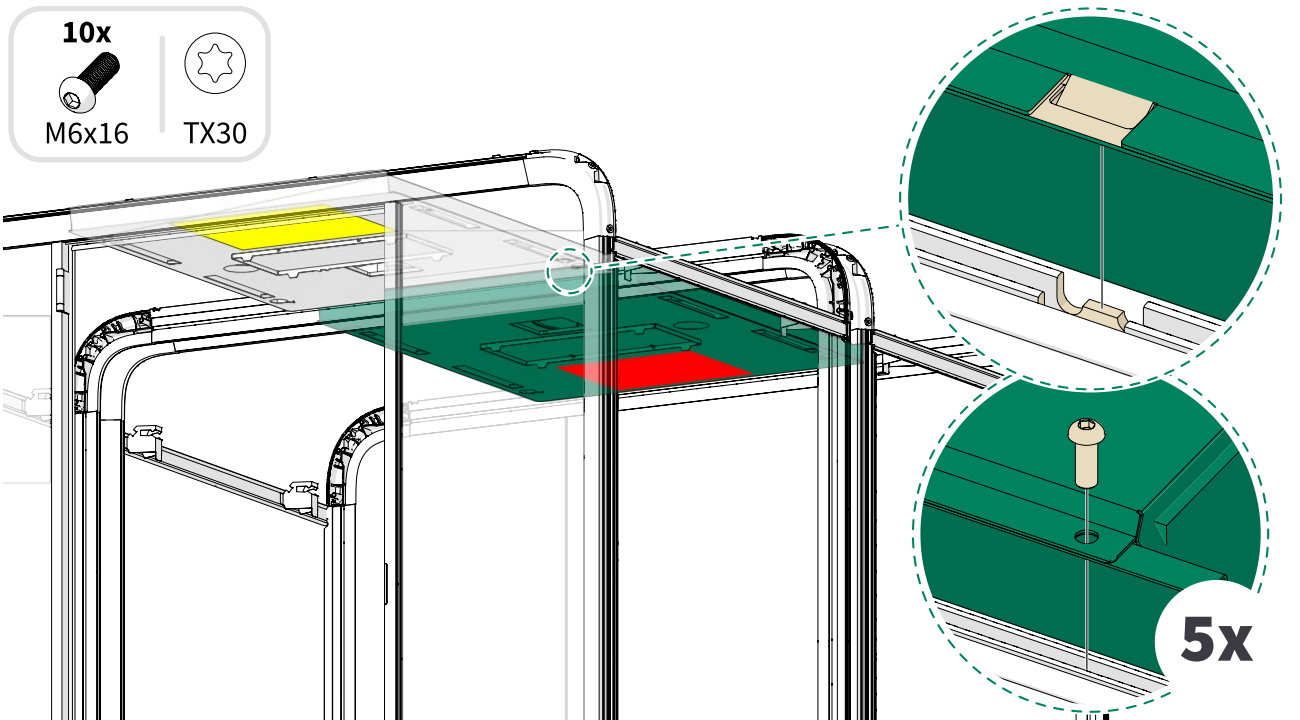
- 
**Note:** The inlet module is installed to the frame of the pod with five screws on each side. When you install the inlet module to the frame, tighten the first five screws on one frame before securing the remaining screws on the other side.



3.

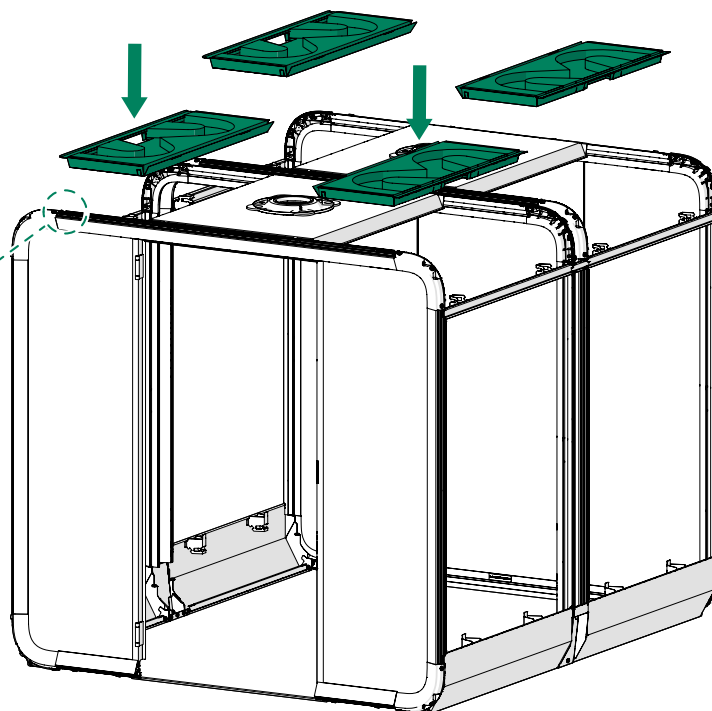
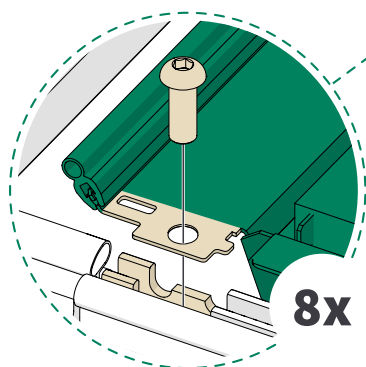
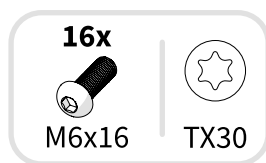


4.

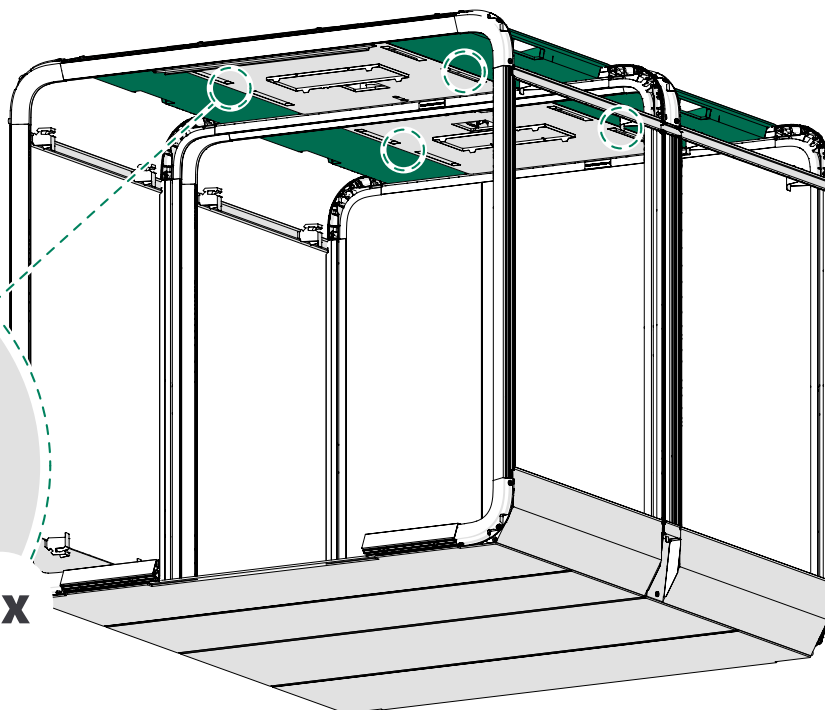
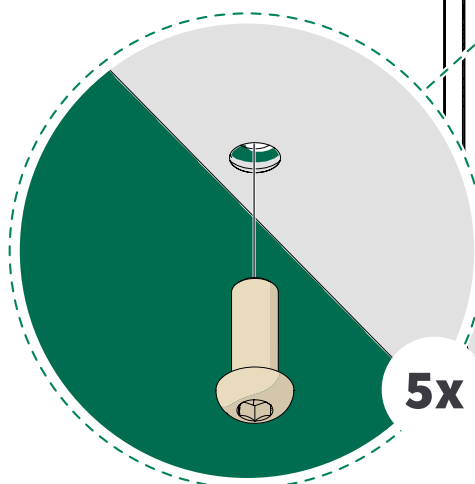
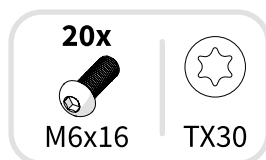


## 1.12 Install the outlet modules

1.  **Note:** Make sure that the outlet modules lock into place on the frames.



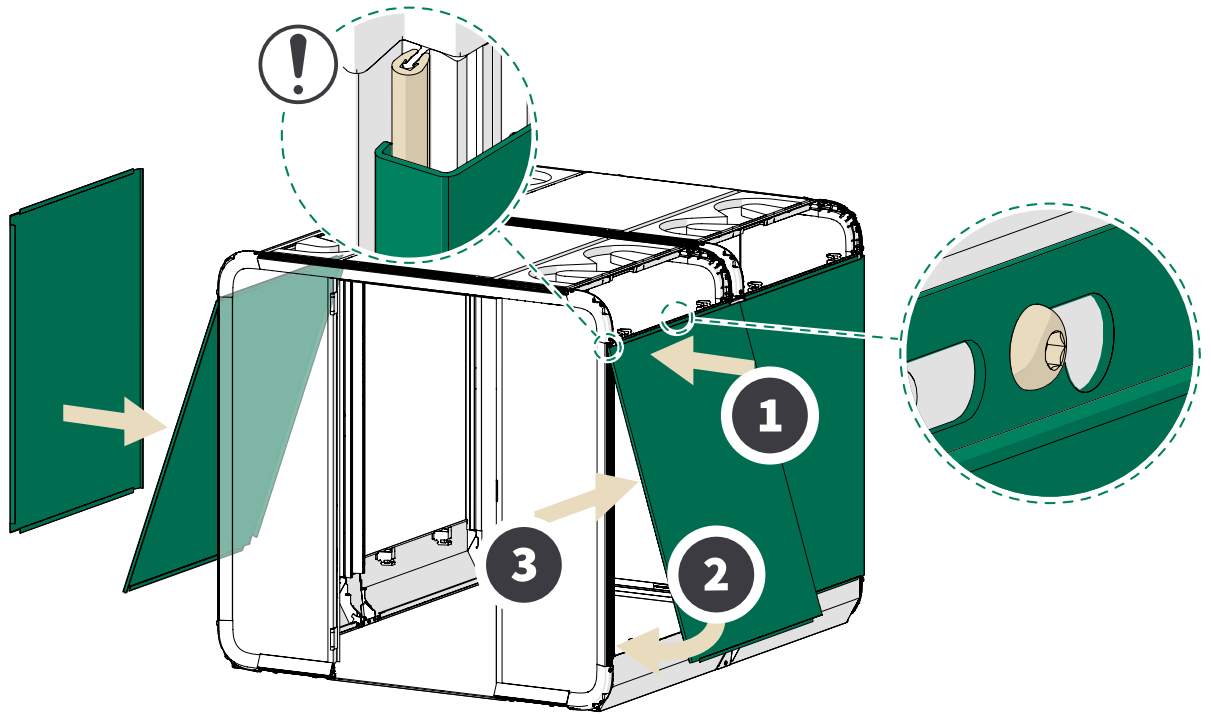
- 2.



## 1.13 Install the wall exterior panels

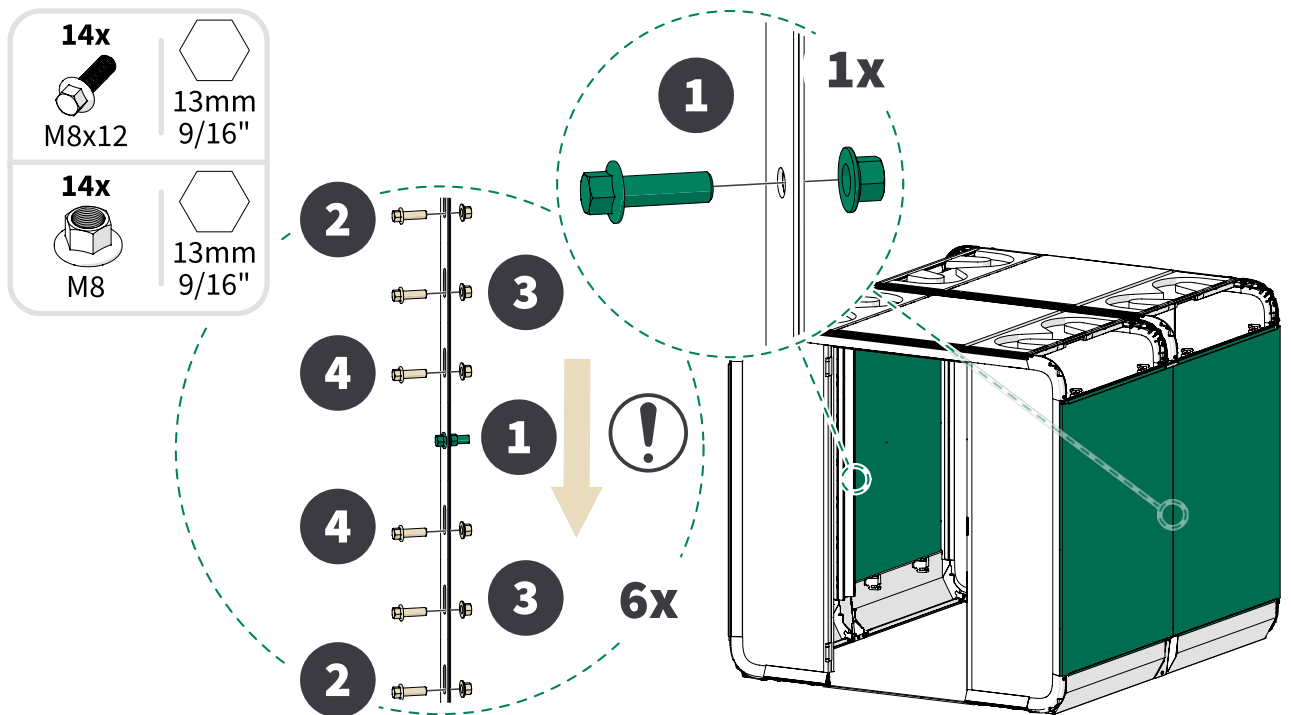
1.  **Note:** Lifting the wall exterior panels requires two persons.

- Note:** Make sure that the elastic gasket sits firmly under the edge of the exterior panel.

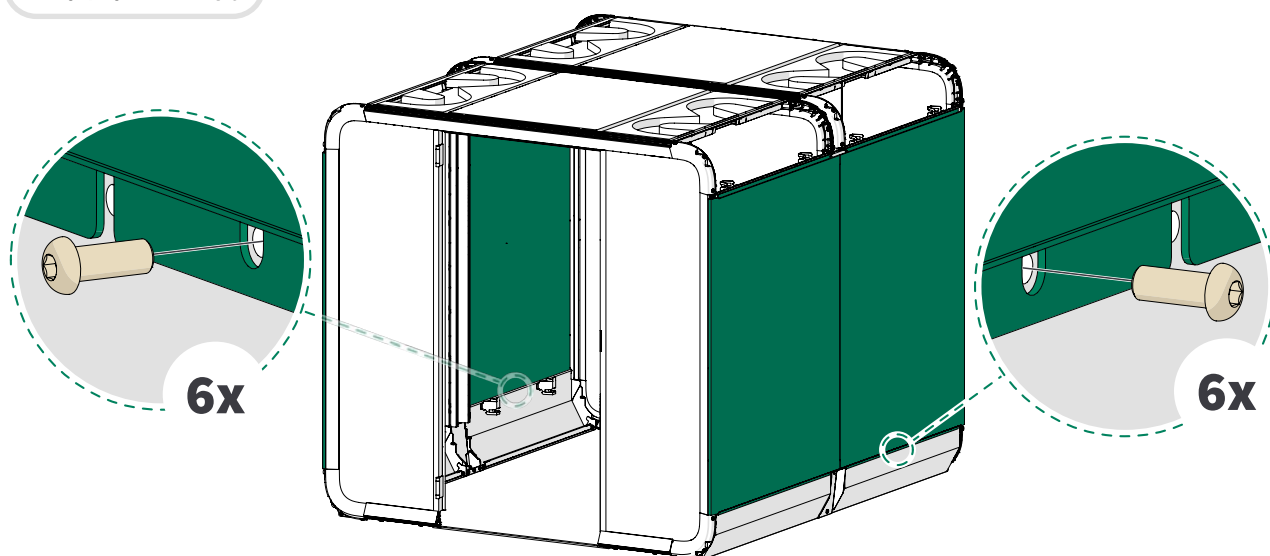
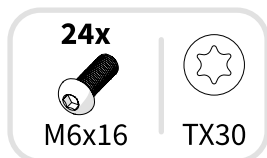


- Note:** Before you tighten the bolts, make sure that the panel cuts surround the pin.

**Note:** When tightening the screws on the slotted holes, pull down on the screw to align the exterior panels.



3.

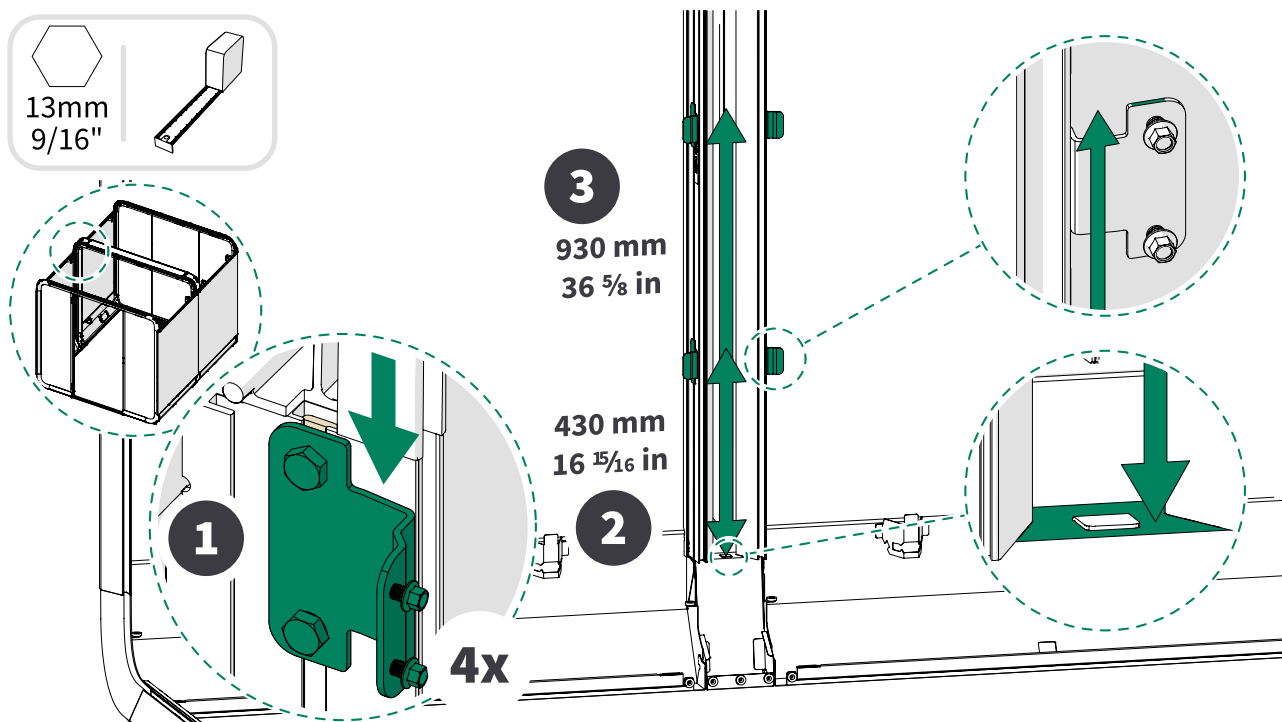


### 1.14 Install the universal brackets

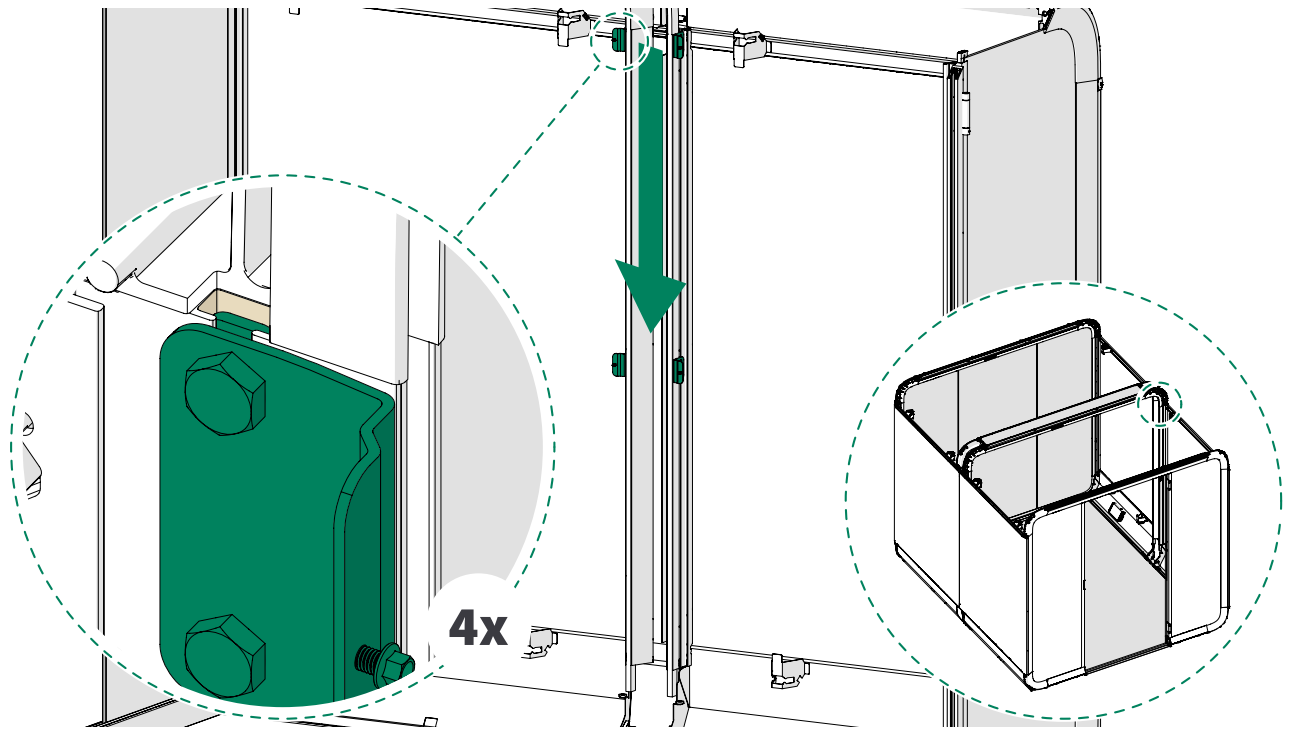
⚠ **Note:** The universal brackets are in the table mount box and monitor wall mount box. The brackets for the whiteboard are in the whiteboard box. The whiteboard is an option.


1. Install the universal brackets for the table and display (on the table side).

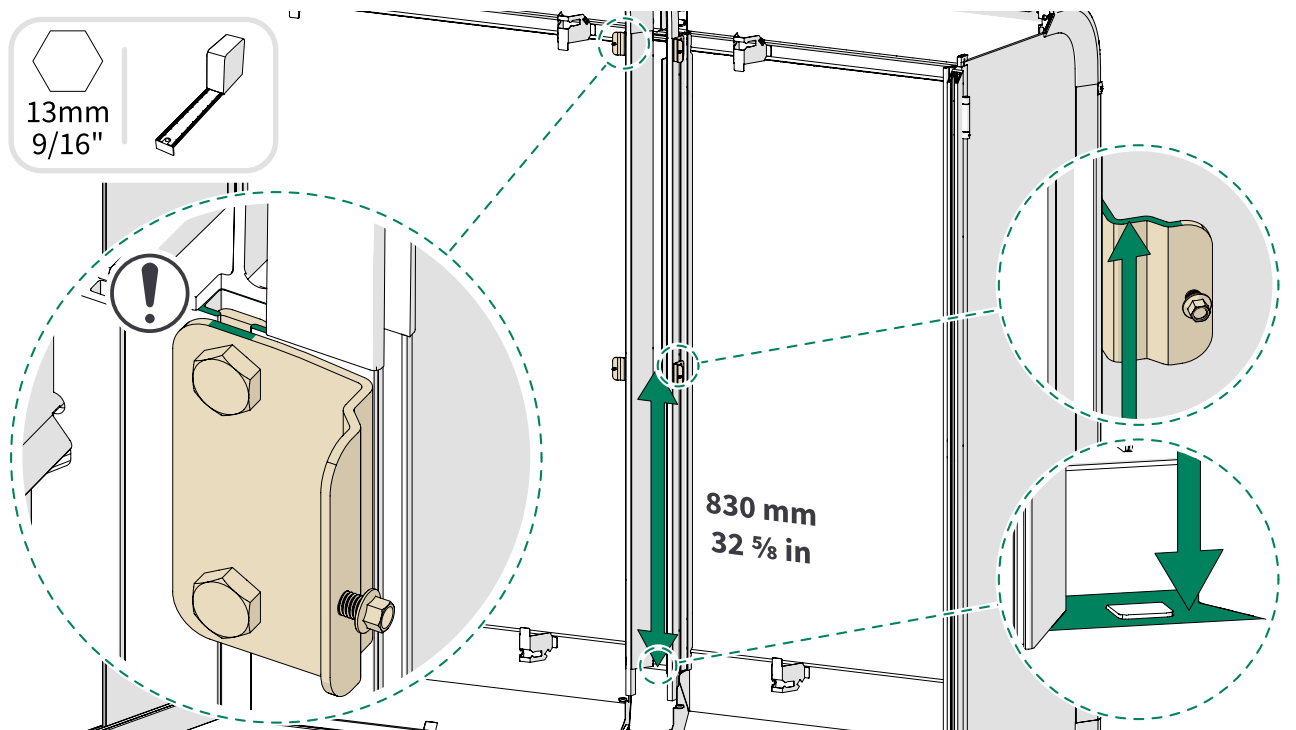
⚠ **Note:** Install universal brackets to the middle profile's groove from above. Make sure that the universal bracket pairs are on the same level.



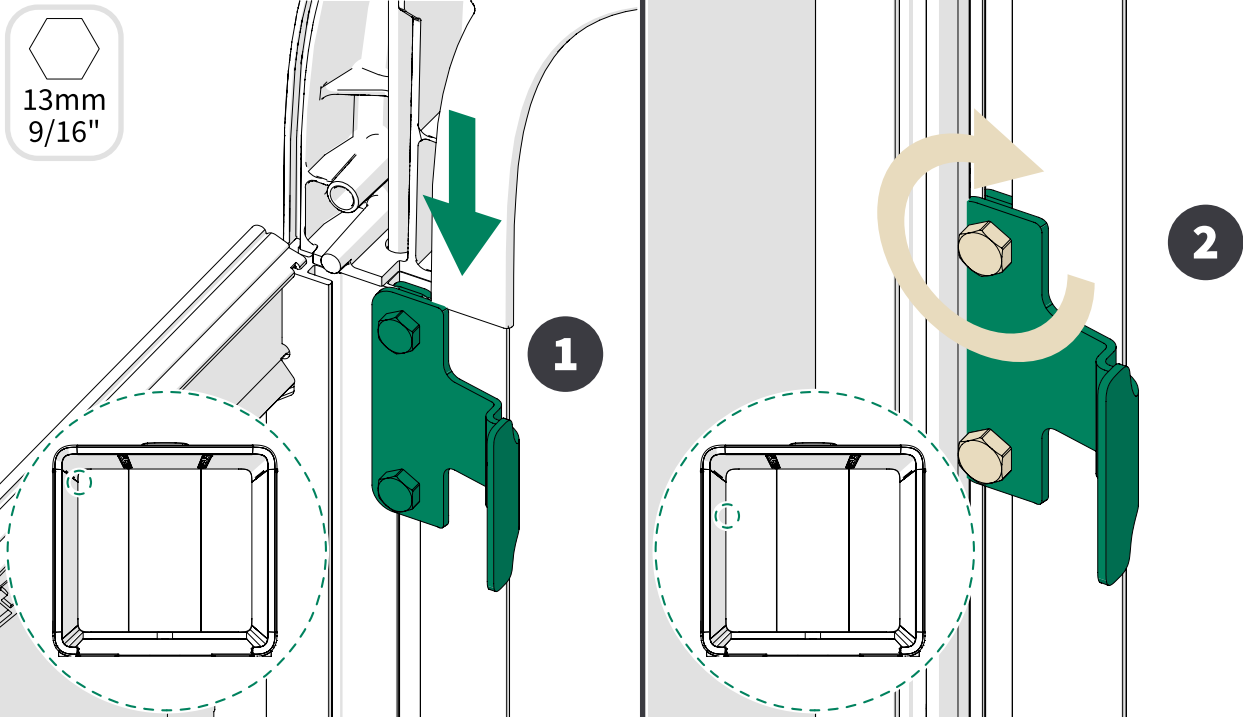
2. Install the brackets for the optional whiteboard (on the side opposite to the table).



3.  **Note:** Make sure that the bracket pairs are on the same level.



### 1.15 Install the coat hooks (optional)



## 2 Electrics

**Attention:** Make sure that all connectors are securely attached and that the cables do not cover the core unit.

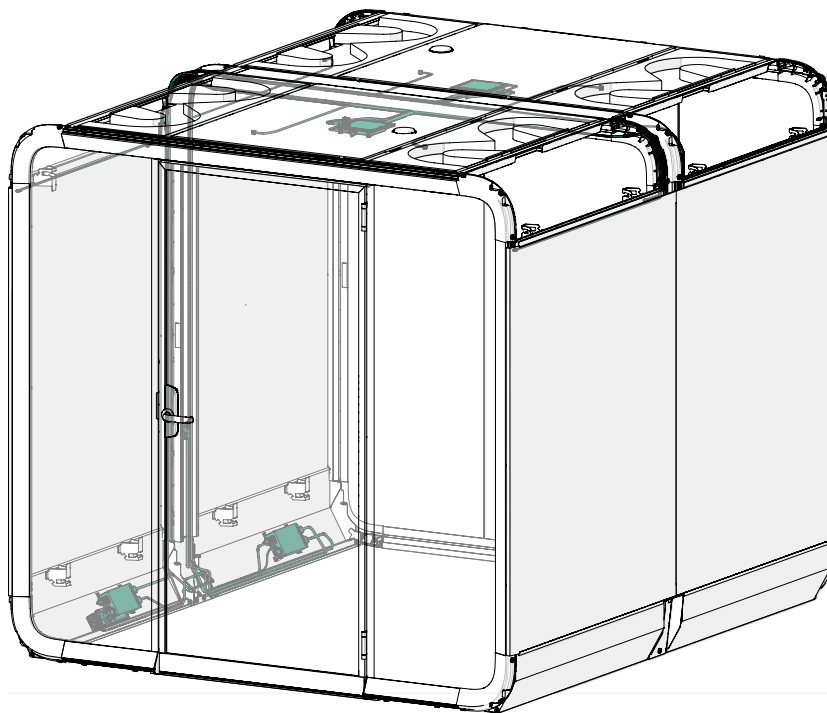


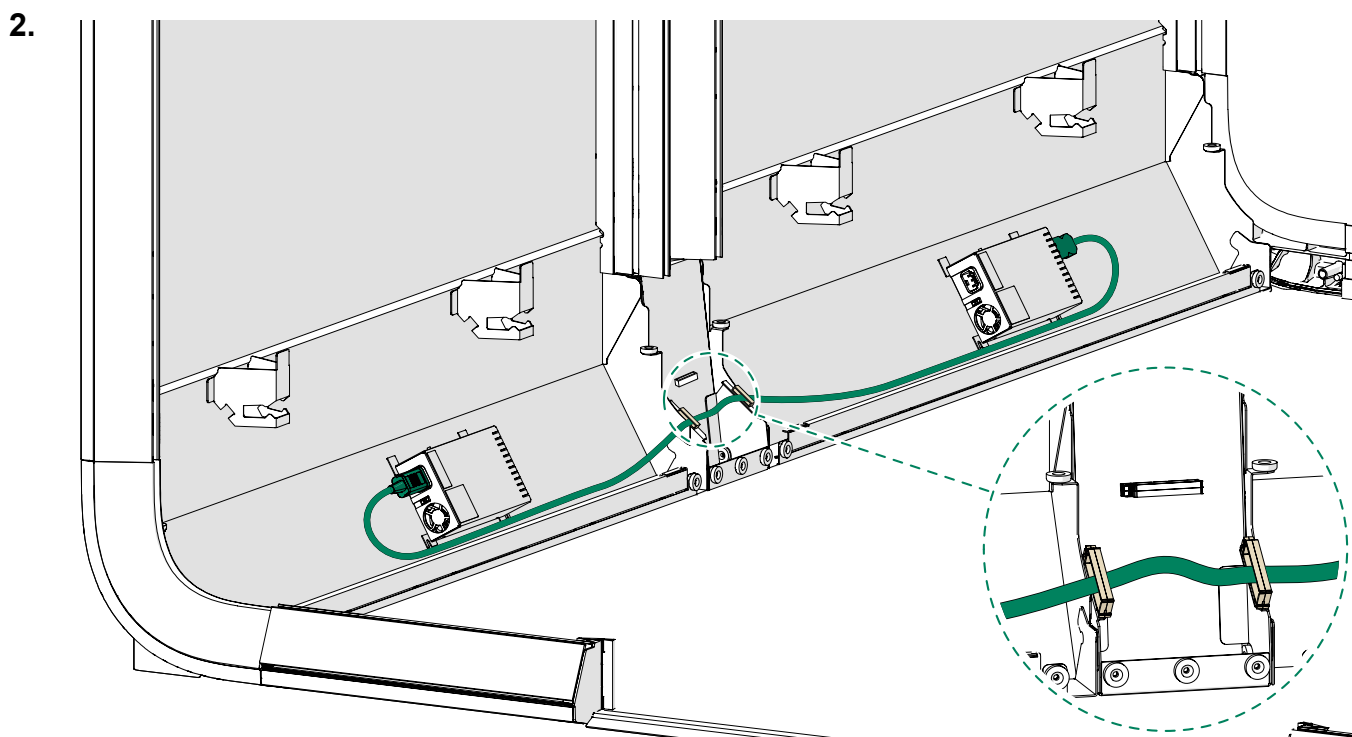
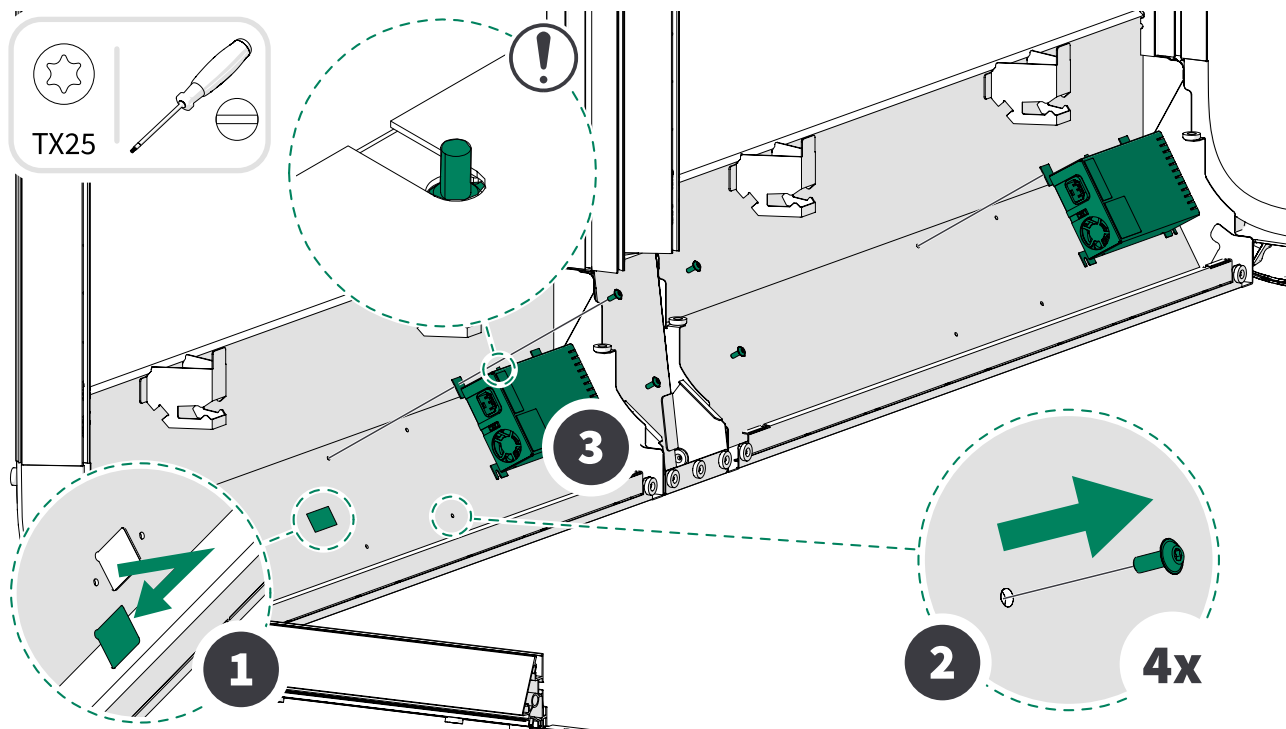
Figure 4: Overview of the pod electrics

### 2.1 Install the power units

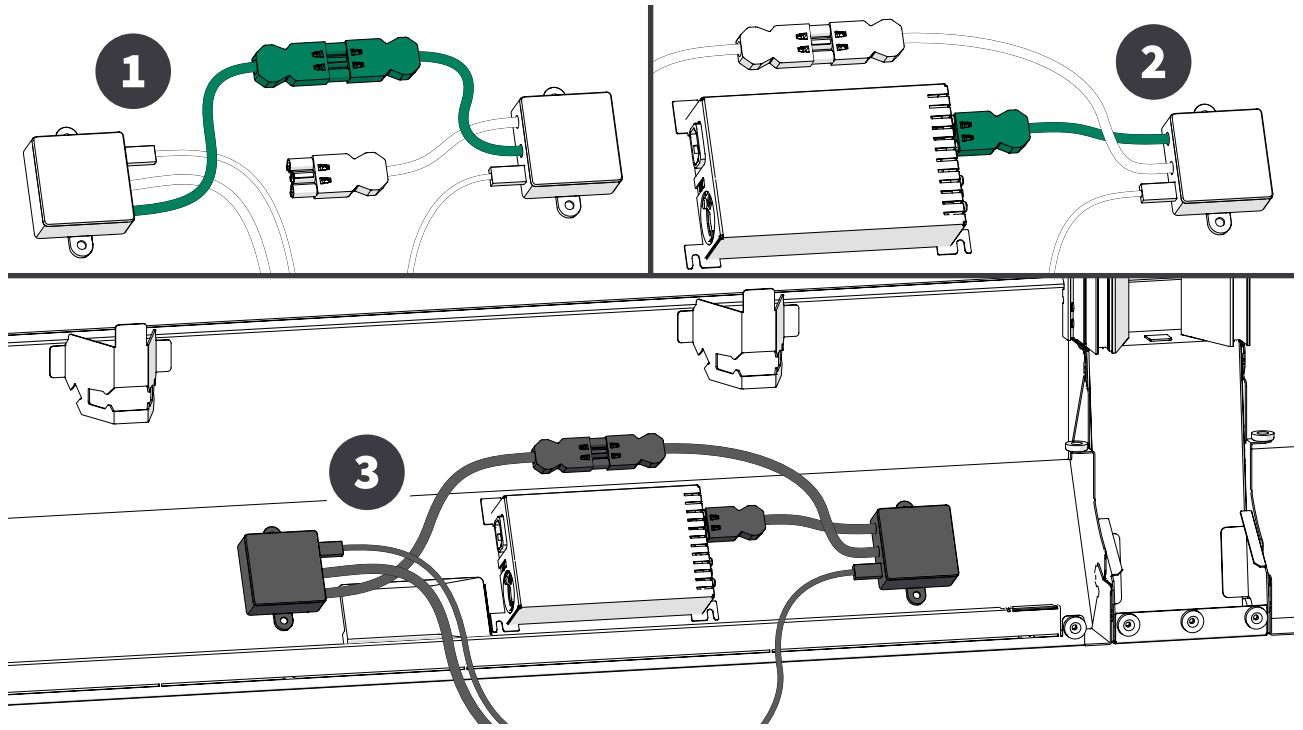


**Note:** The table must be installed to the same side as the power units. Decide on the table positioning before installing the power units.

- Note:** Make sure that the screws are properly tightened. Connection of a protective grounding conductor is via the power unit screws.

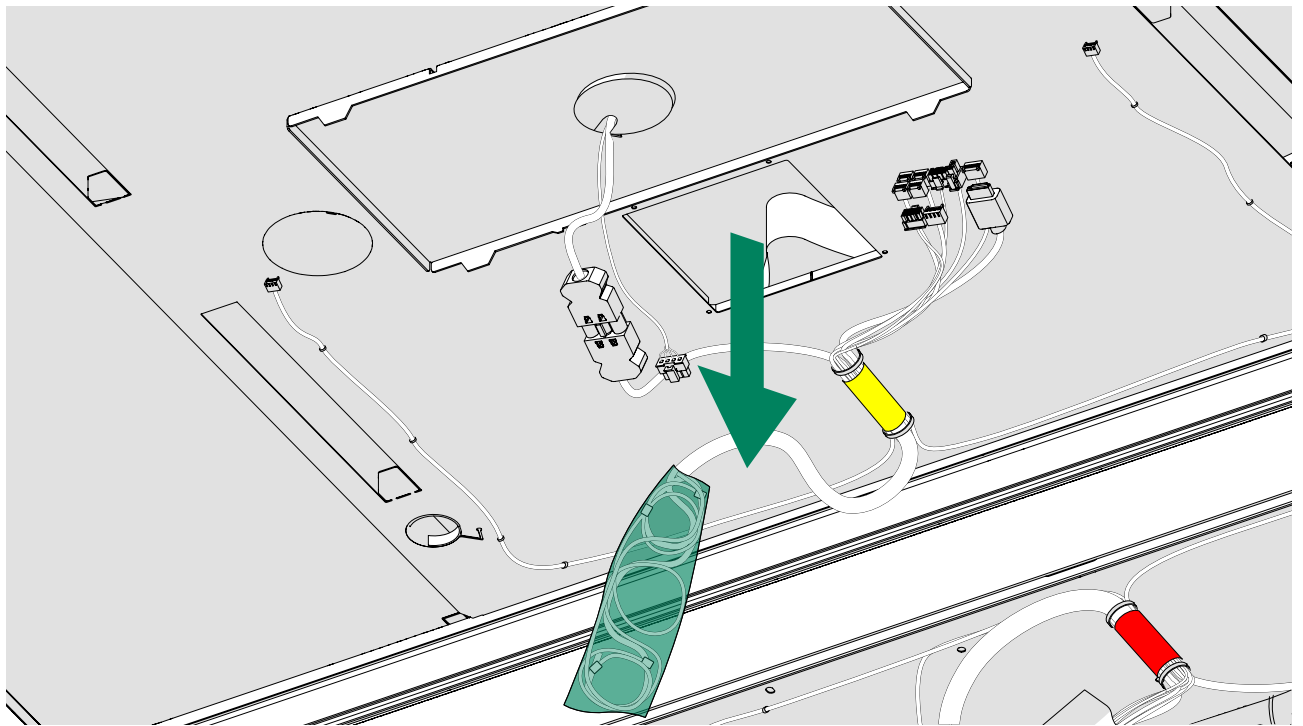


### 2.1.1 Install the USB-C modules (optional)



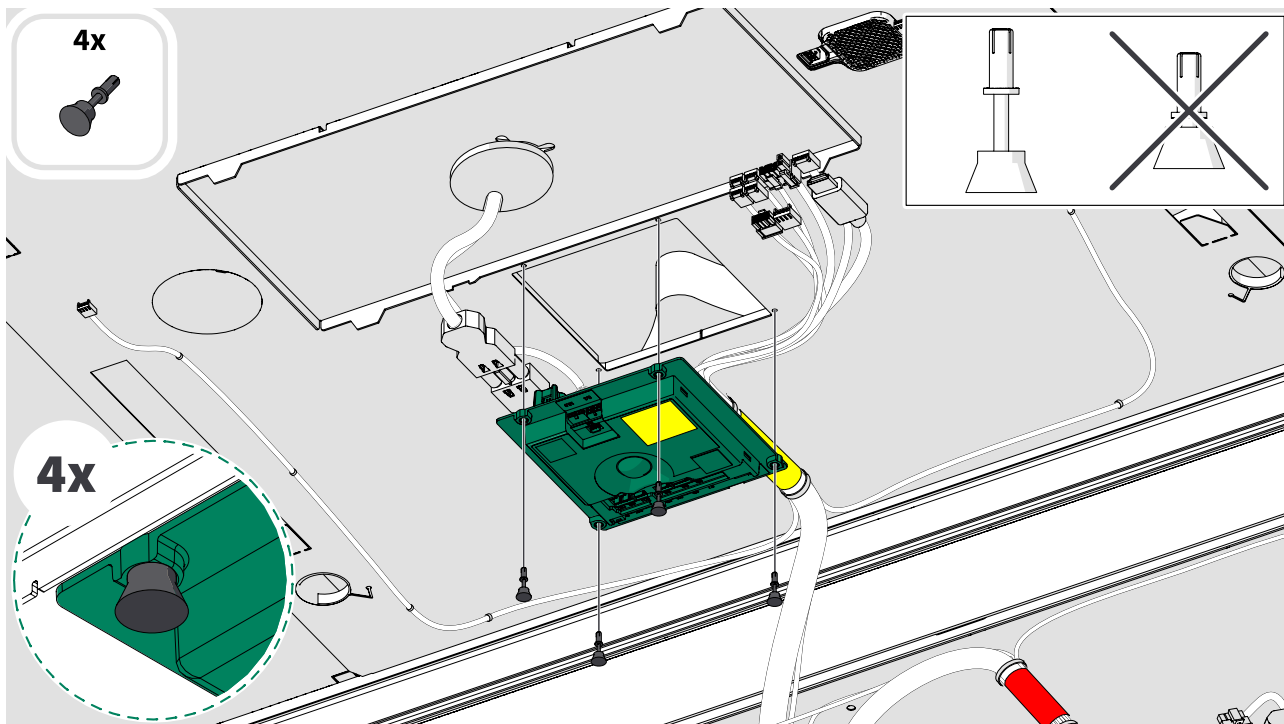
## 2.2 Install the core unit

1.



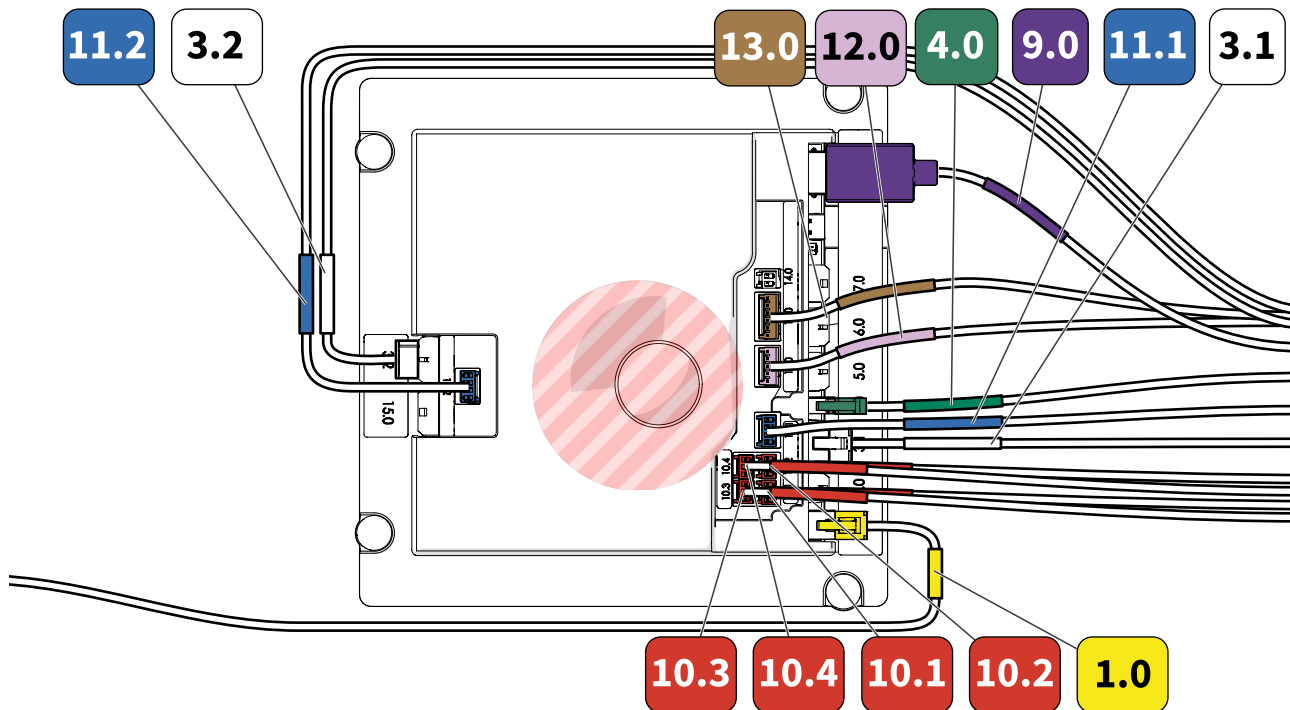
2.

- ⚠ **Note:** Check the unit type from the backside of the unit.
- ⚠ **Note:** Core unit ID is **9005682**. Radar unit ID is **9007966**.
- ⚠ **Note:** The core unit is installed to the front of the pod.



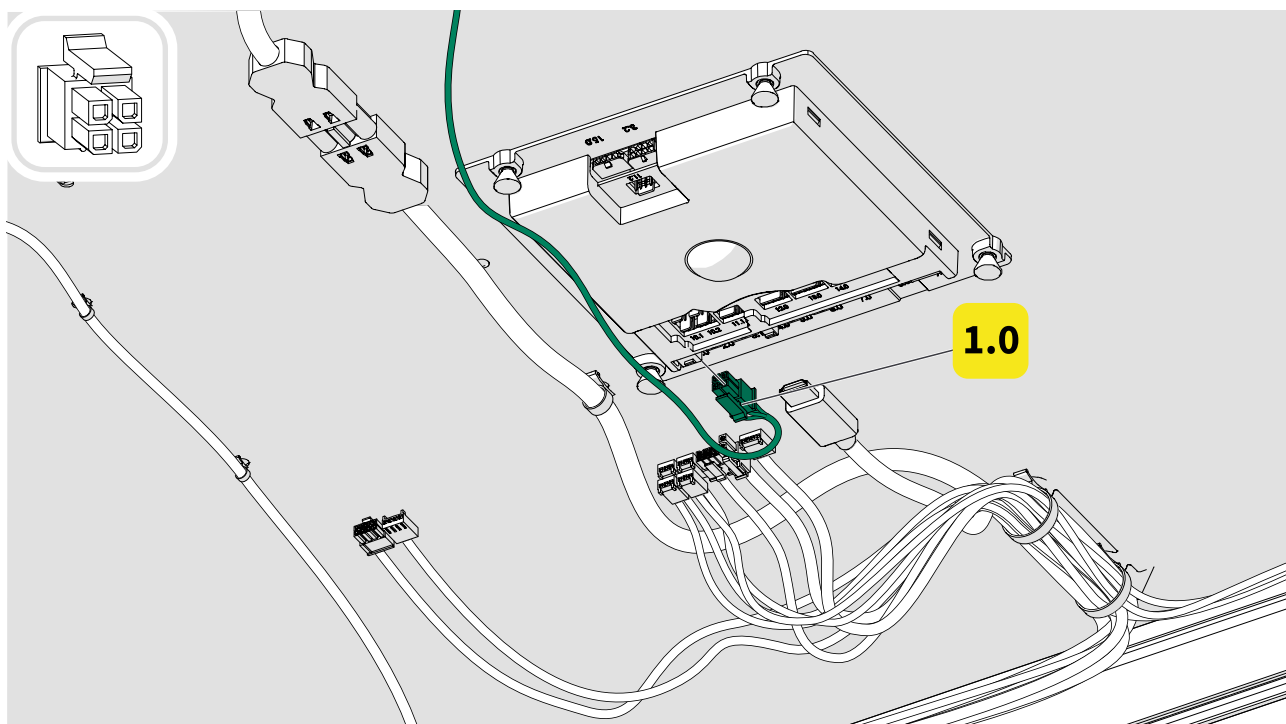
### Make the electrical connections (core unit)

- ⚠ **Note:** The core unit is located on the door side of the pod.
- ⚠ **Note:** To make connecting the cables to the unit easier, each cable is marked with a number and color corresponding to a connector on the unit.
- ⚠ **Note:** Do not cover the core unit with anything. Route all cables around it.

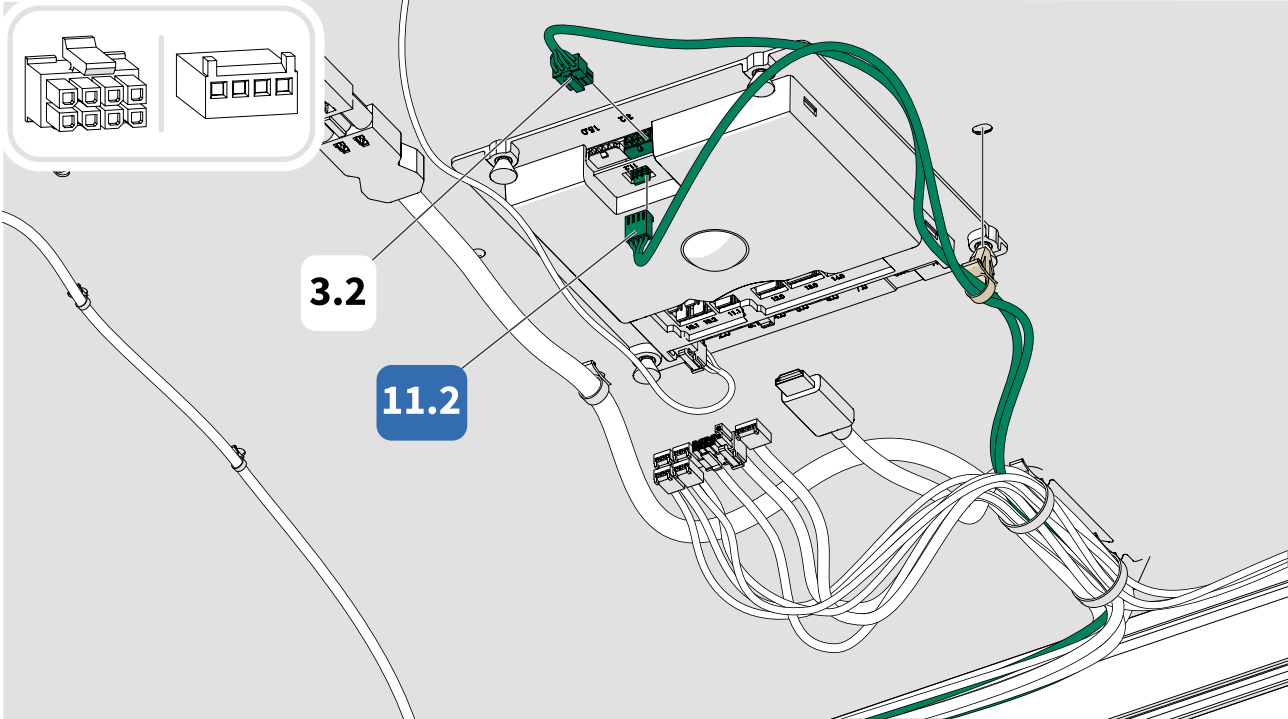


1.0	Fan
3.1 & 3.2	Ceiling lights
4.0	Power
9.0	HDMI
10.1-10.4	Occupancy lights
11.1 & 11.2	Air flow direction
12 & 13	FOSMS speaker

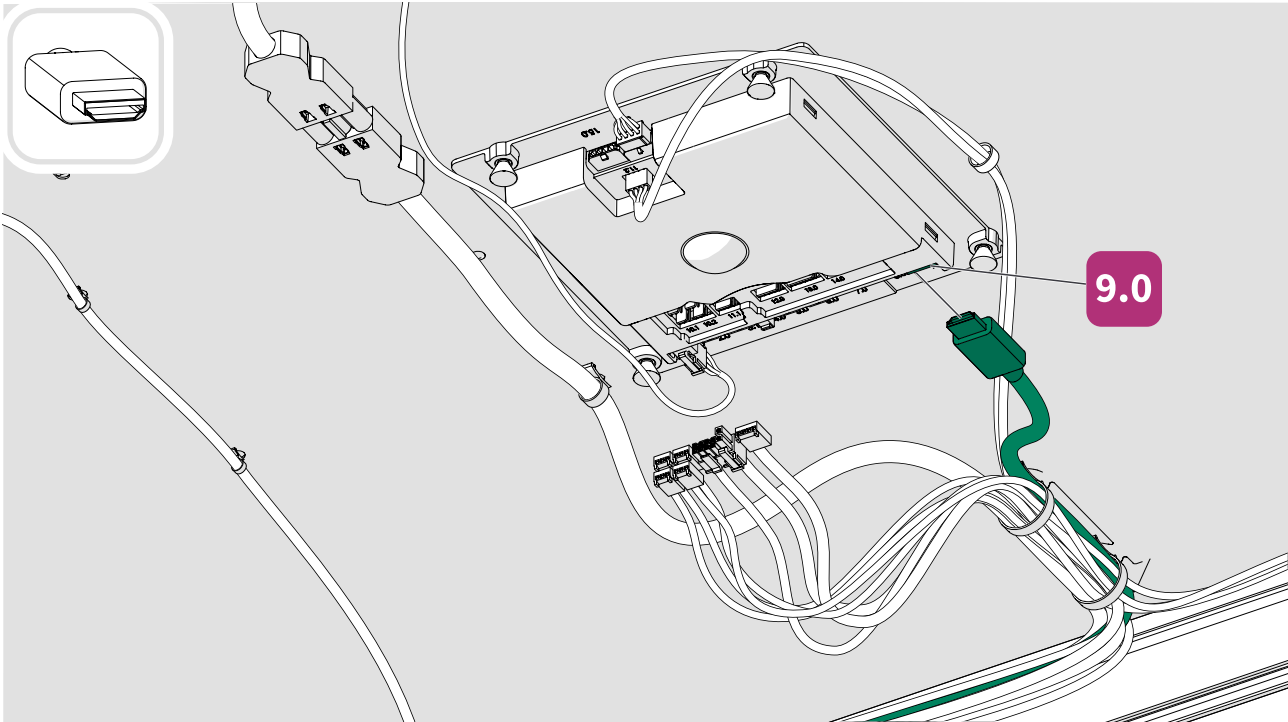
1.



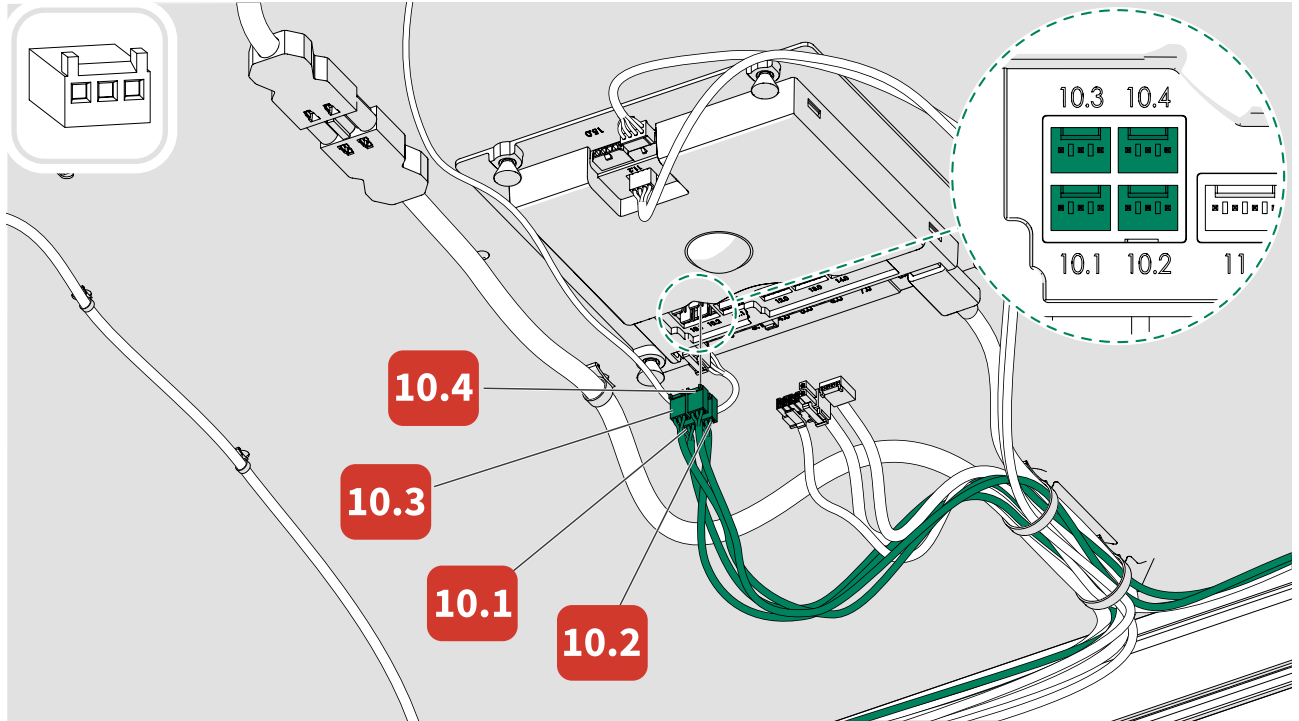
2.



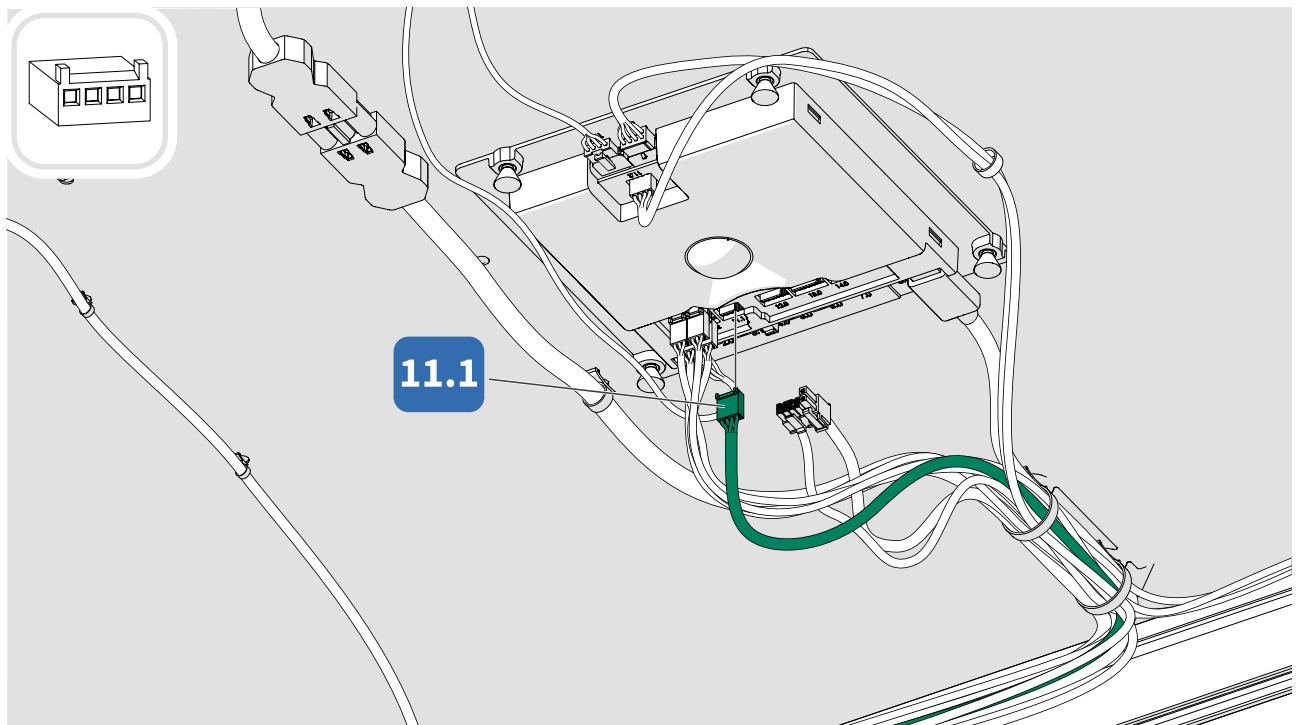
3.



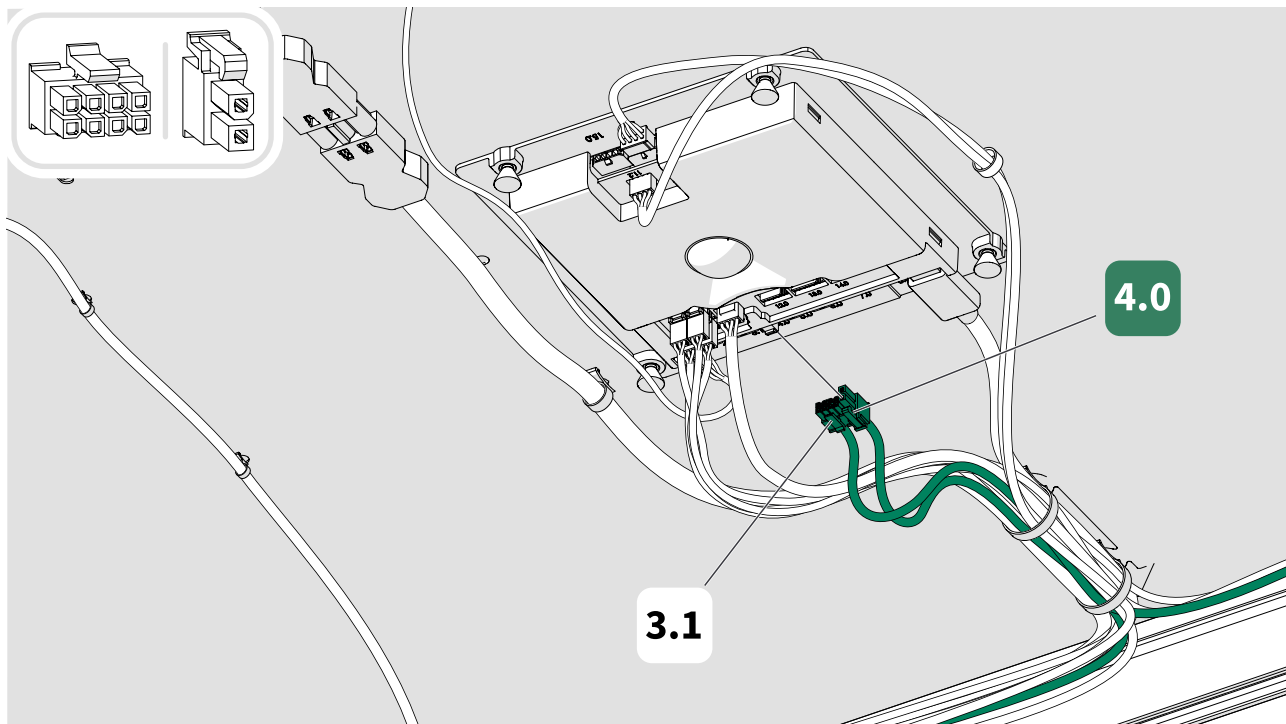
4.



5.

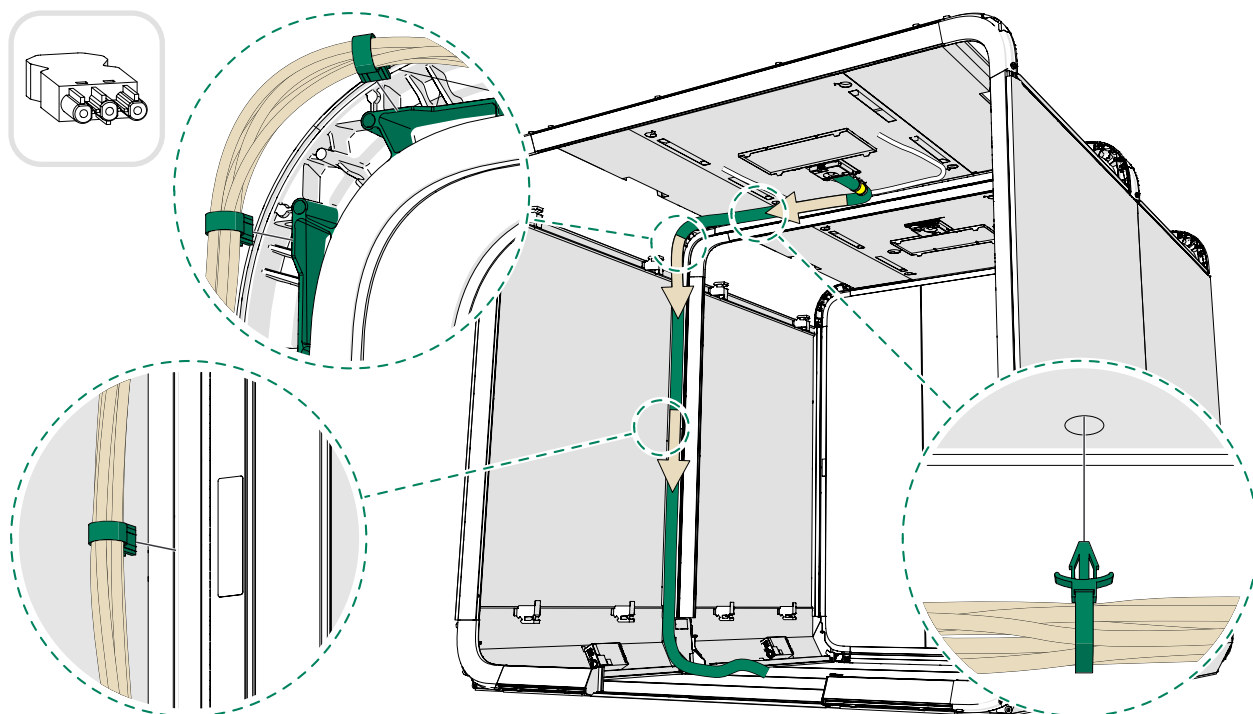


6.

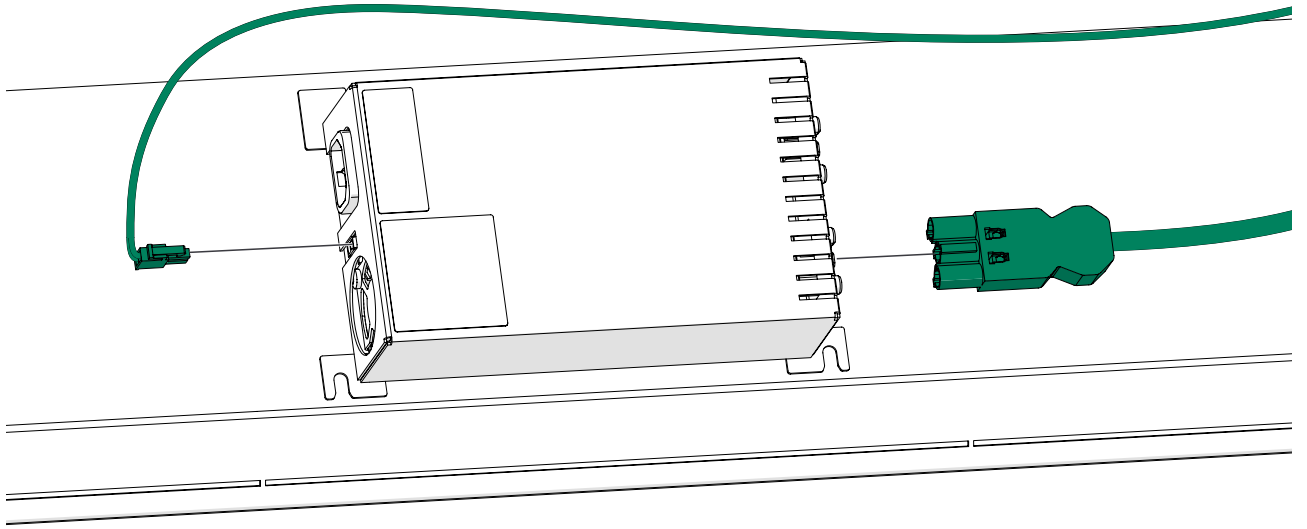



## 2.3 Install the wiring harness (core unit)

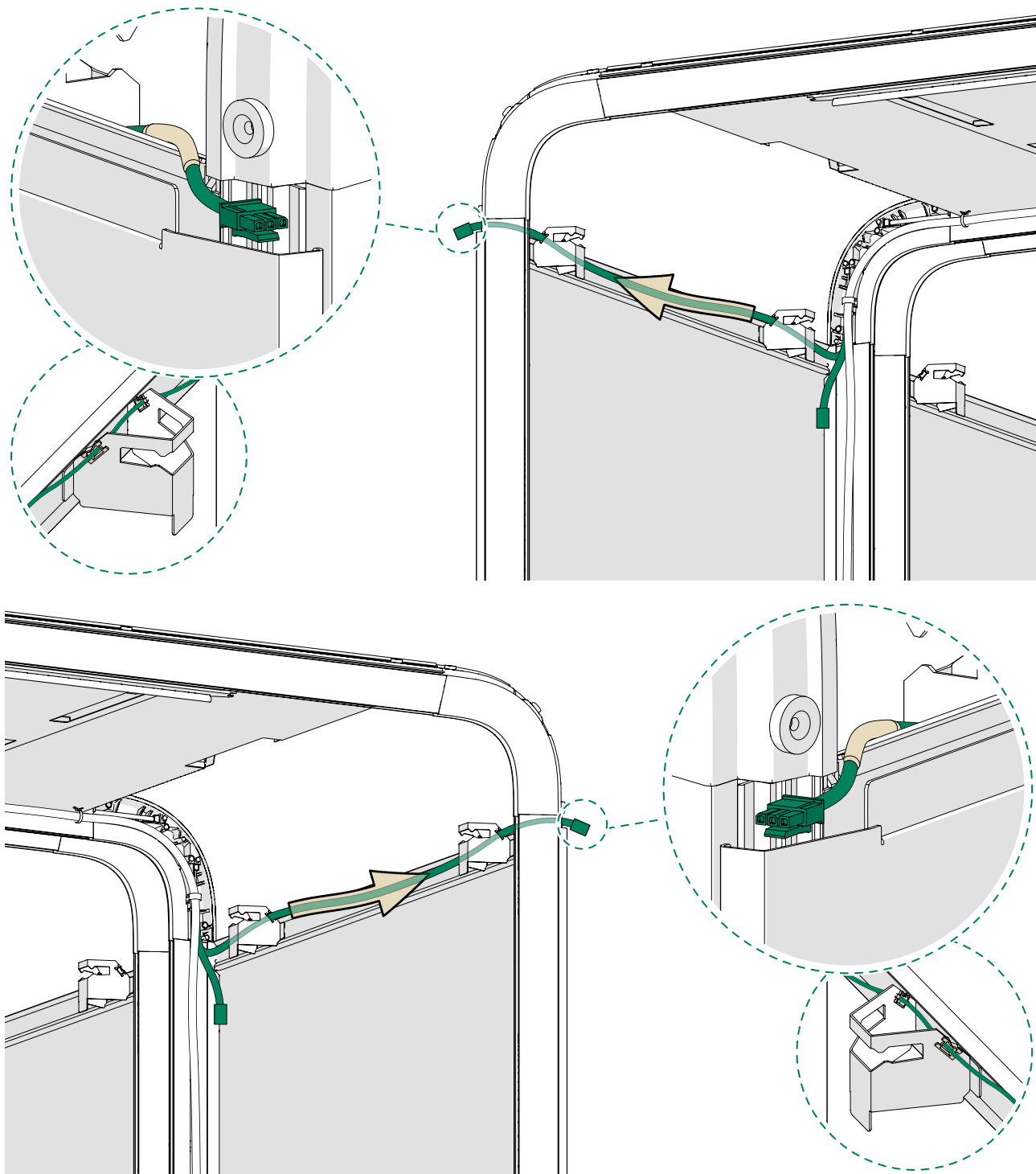
1.



2.

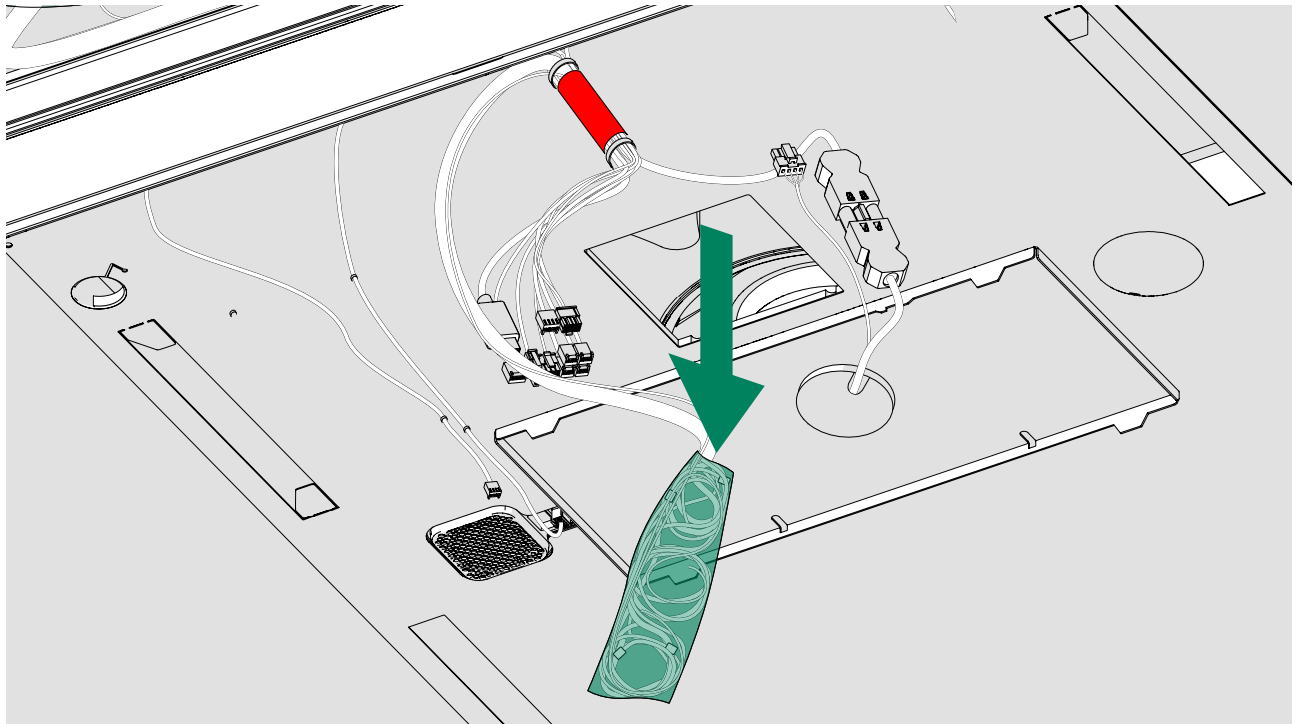


3.  **Note:** The wiring harness has two extra occupancy light cables. Leave them inside the pod in the middle.



## 2.4 Install the radar unit

1.



2.



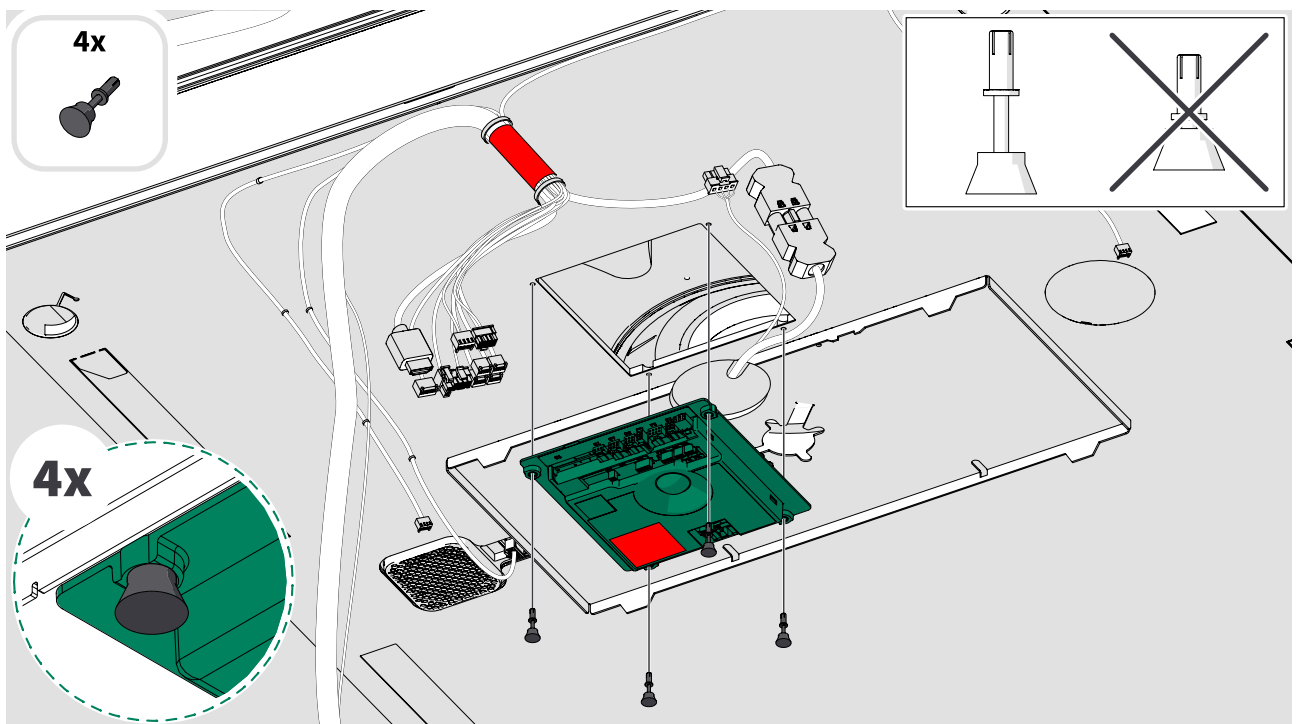
**Note:** Check the unit type from the backside of the unit.



**Note:** Core unit ID is **9005682**. Radar unit ID is **9007966**.



**Note:** The radar unit is installed to the back of the pod.



### Make the electrical connections (radar unit)

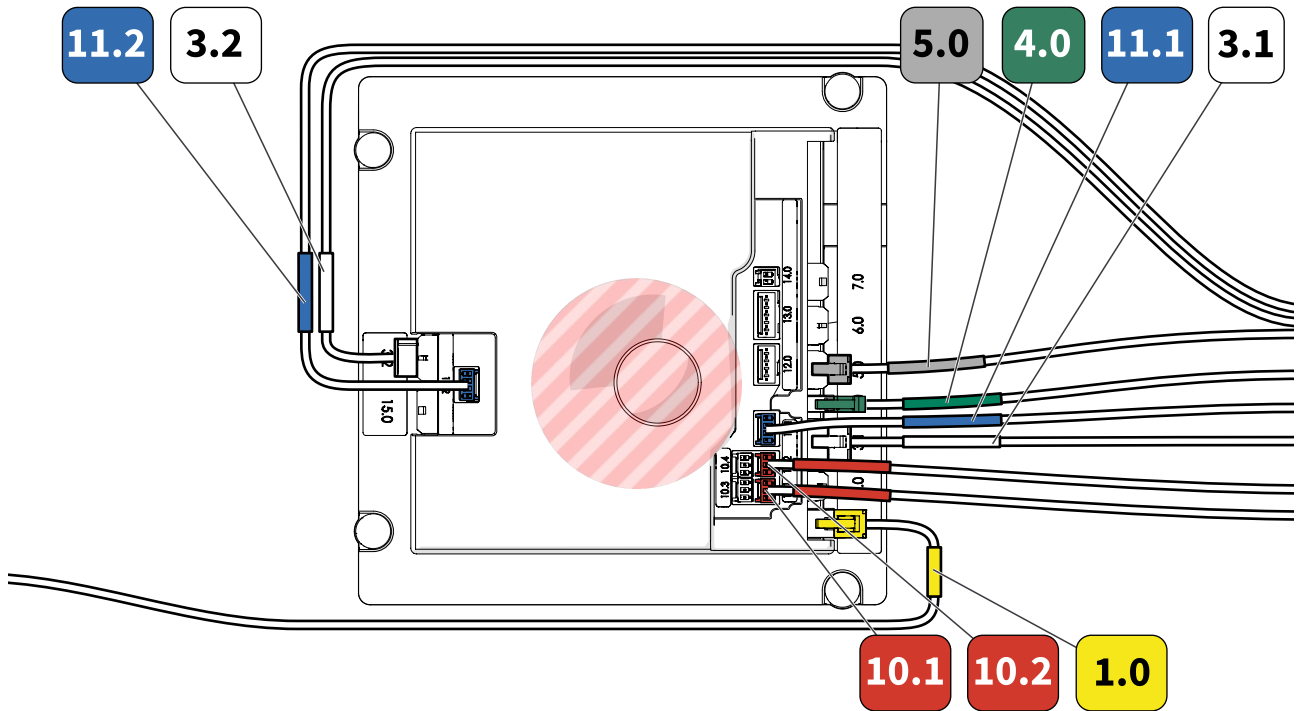


**Note:** The radar unit is located on the back glass side of the pod.

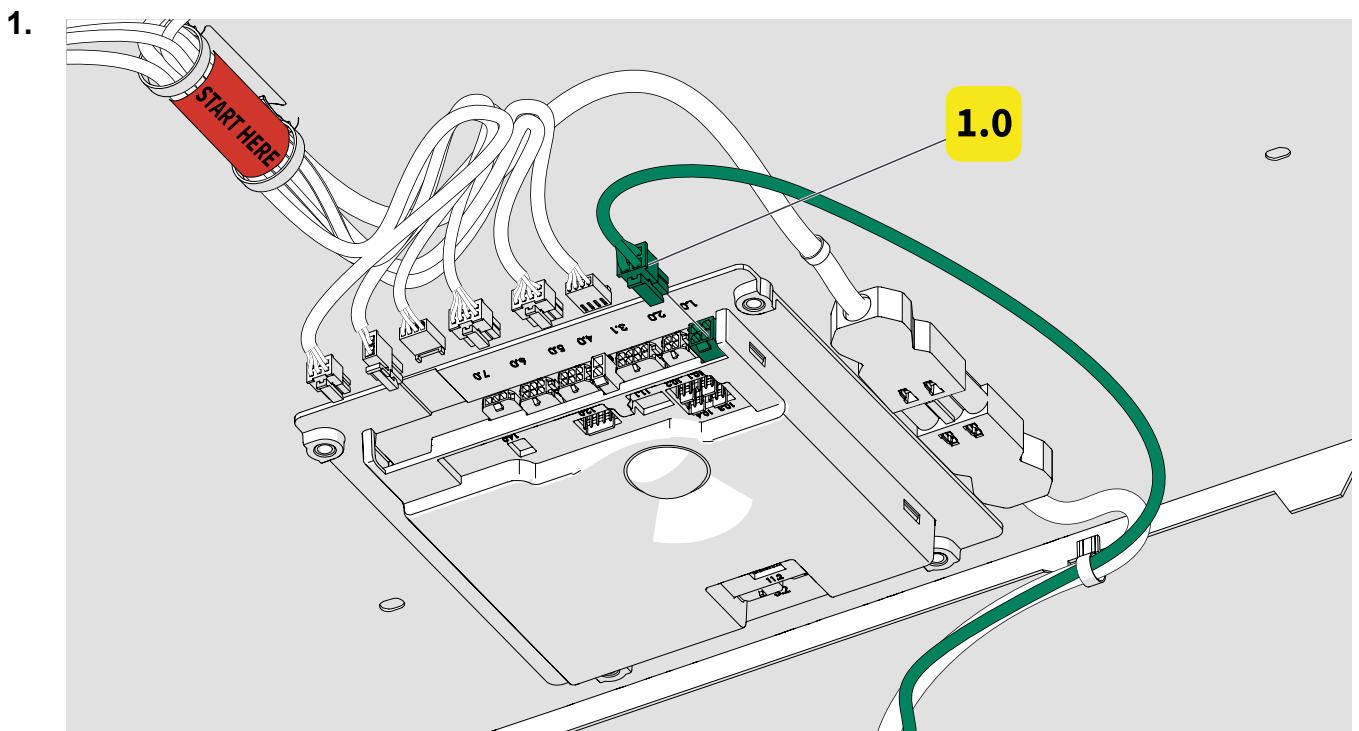


**Note:** To make connecting the cables to the unit easier, each cable is marked with a number and color corresponding to a connector on the unit.

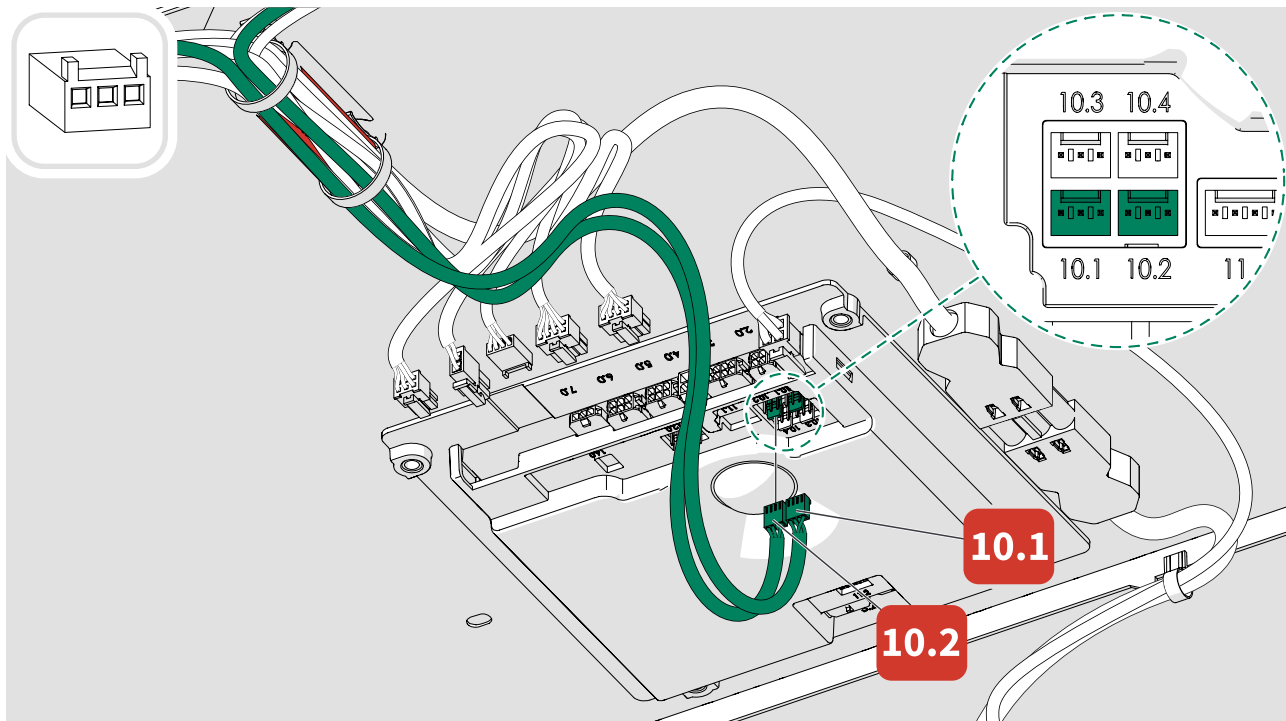
**Note:** Do not cover the radar unit with anything. Route all cables around it.



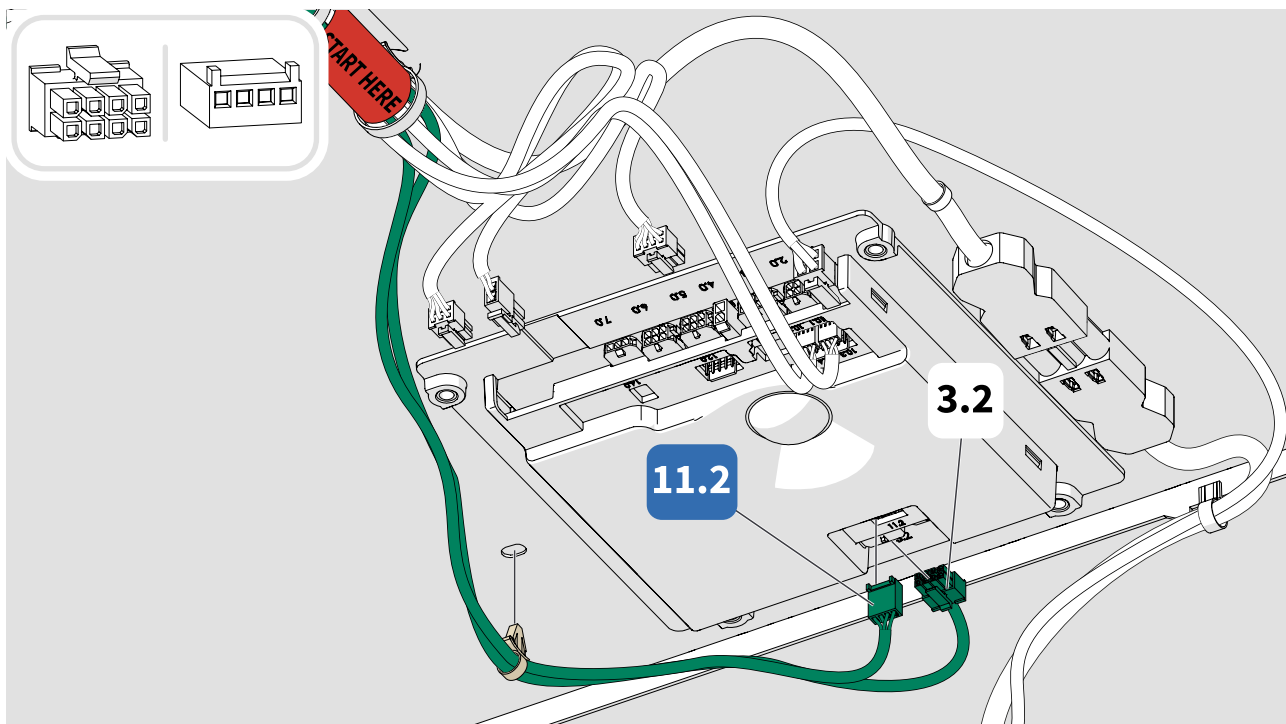
1.0	Fan
3.1 & 3.2	Ceiling lights
4.0	Power
5.0	Core & radar unit connection
10.1 & 10.2	Occupancy lights
11.1 & 11.2	Air flow direction



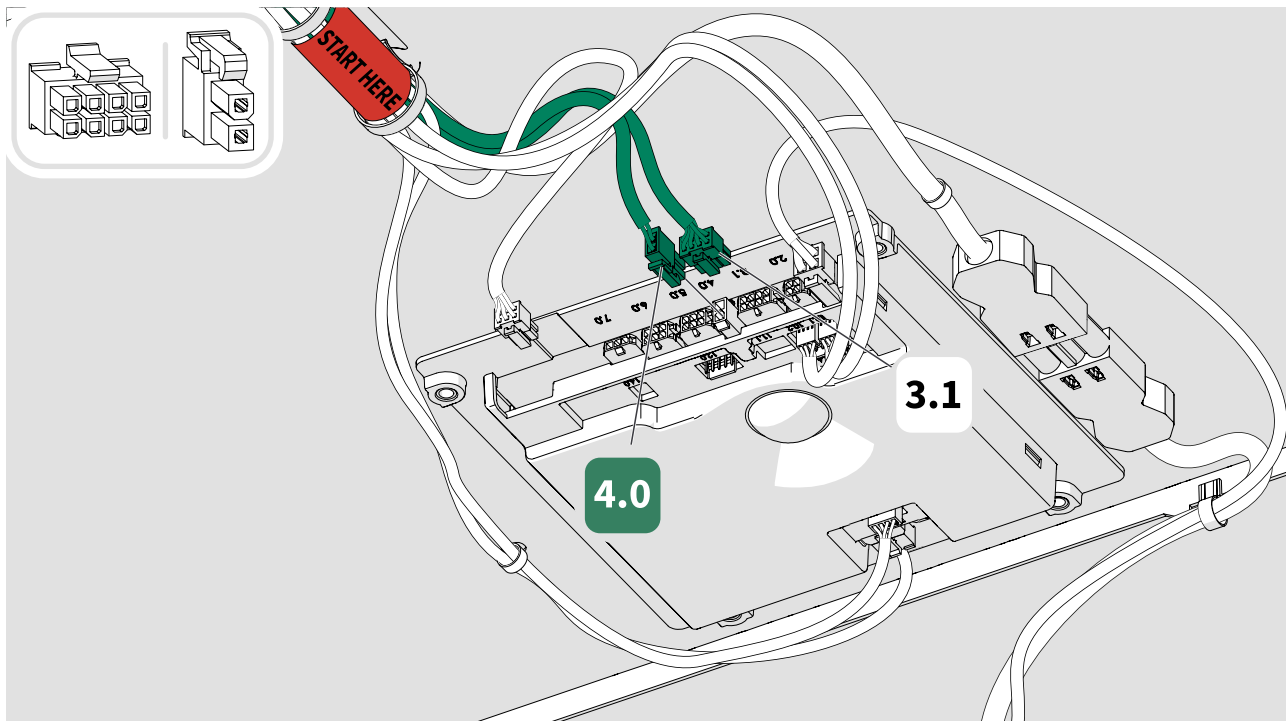
2.



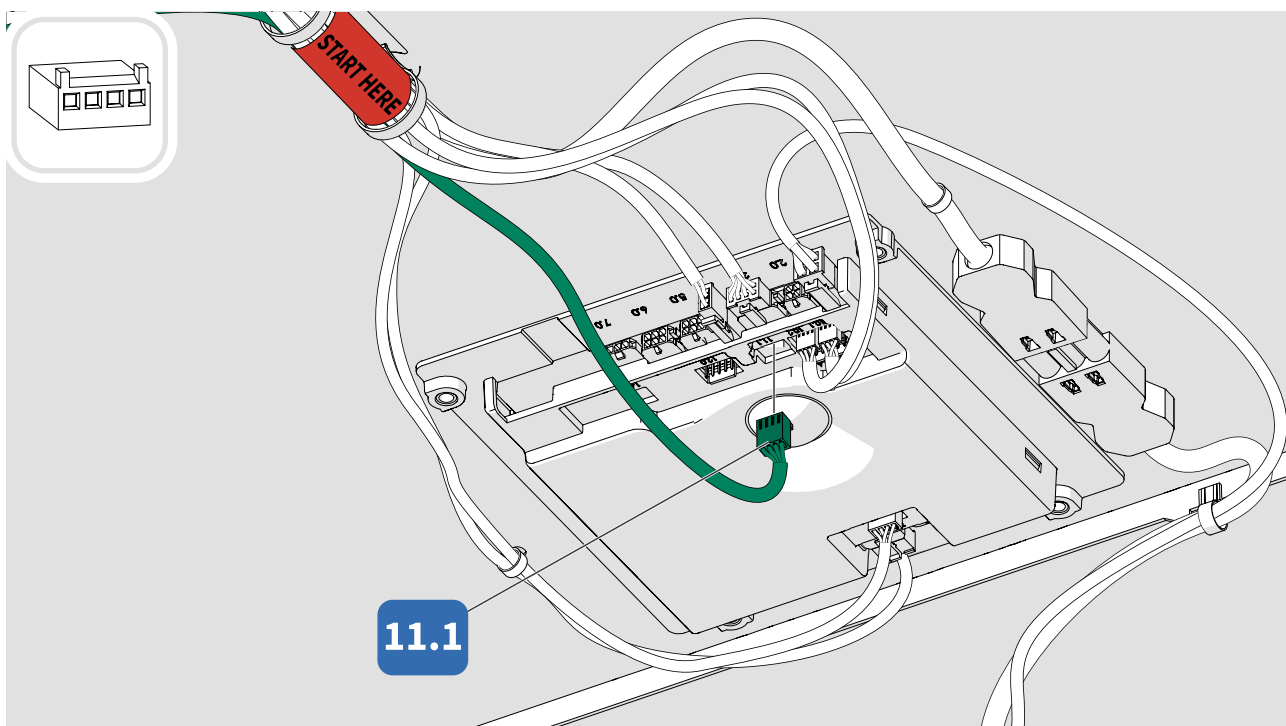
3.



4.

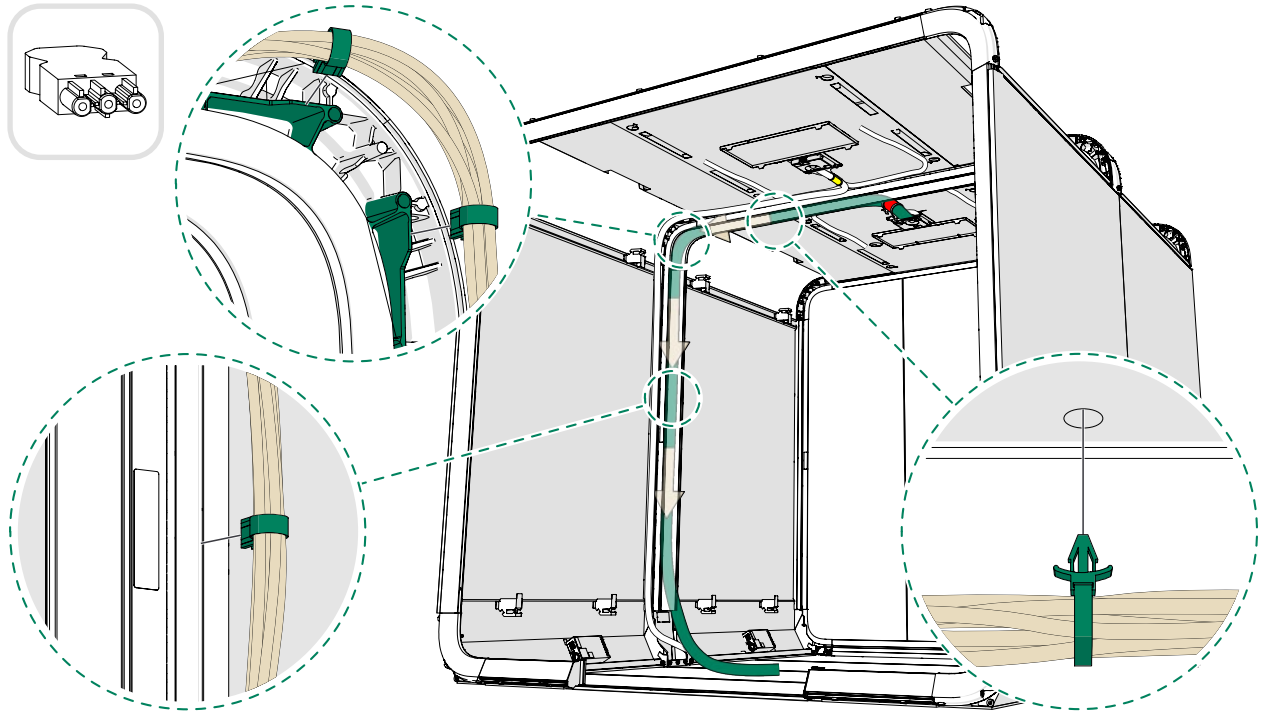


5.

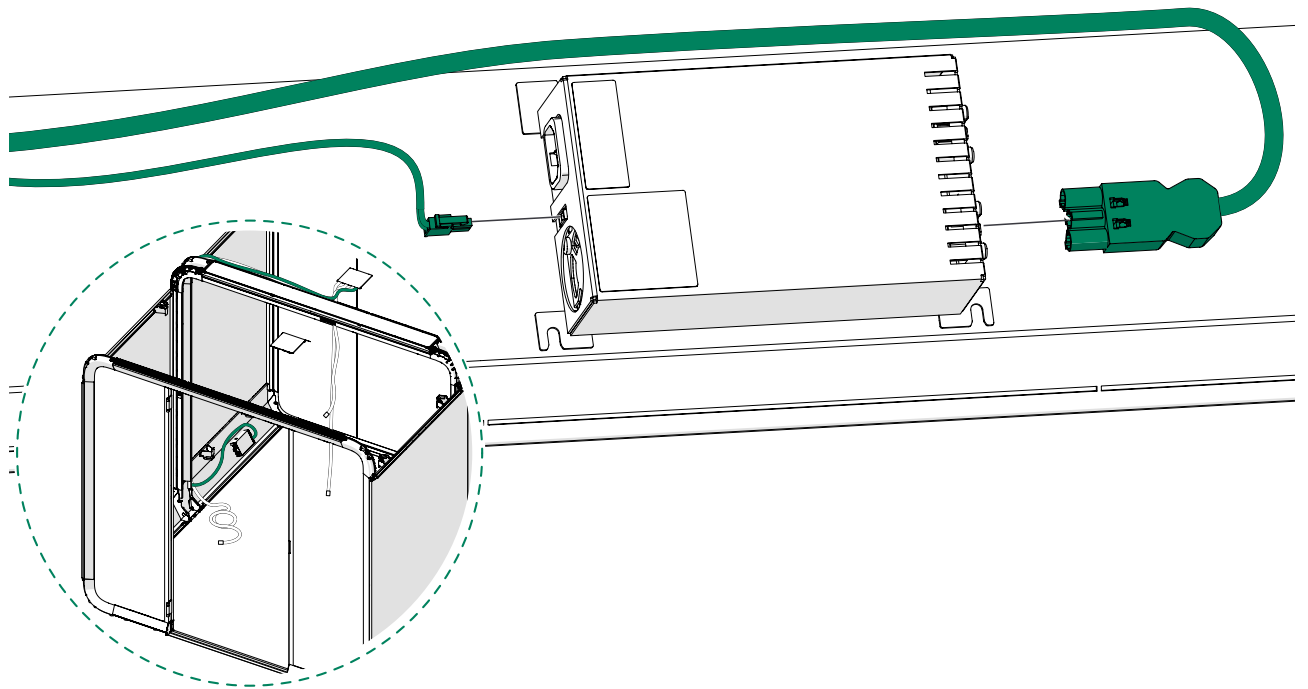


## 2.5 Install the wiring harness (radar unit)

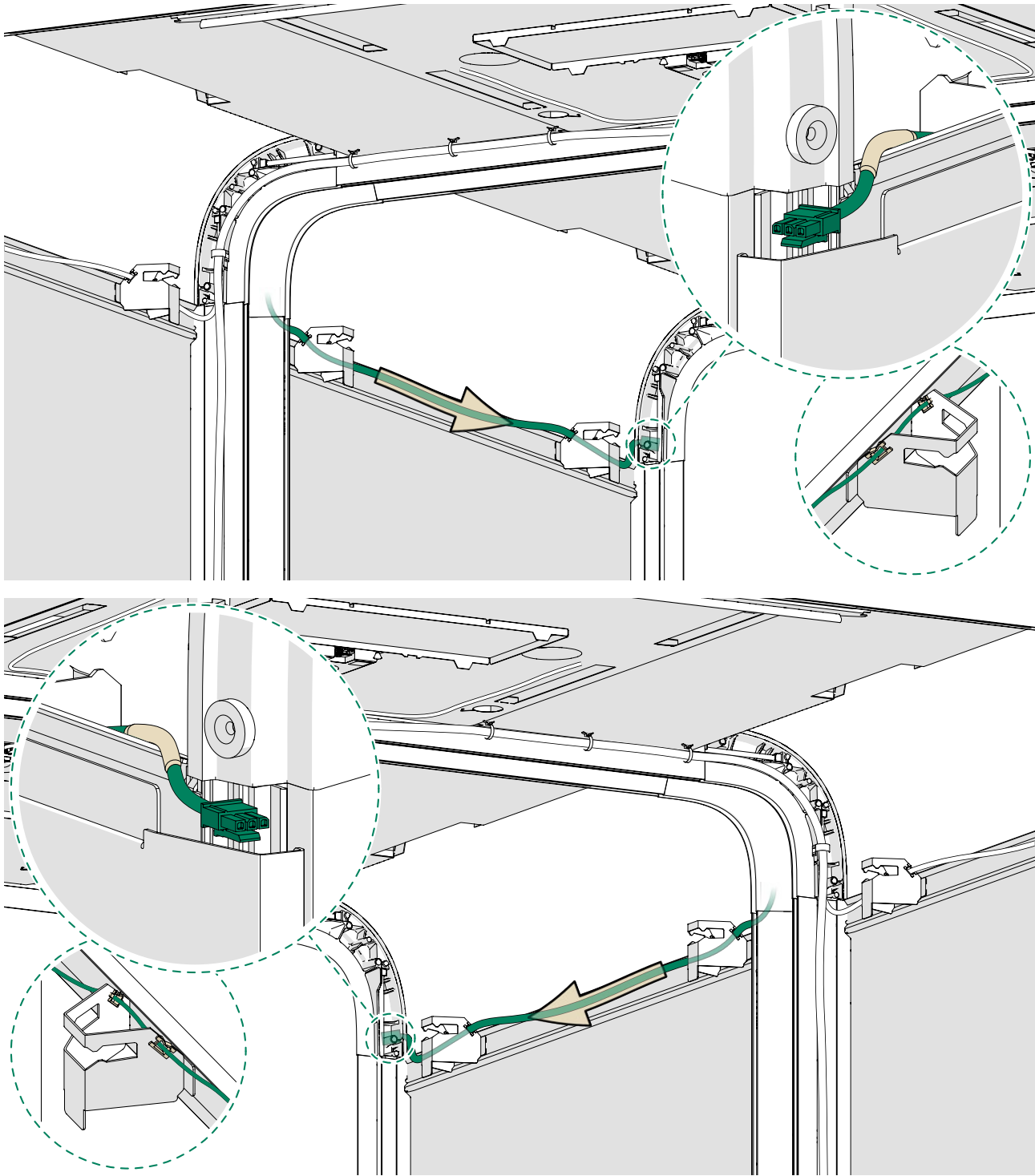
1.



2.

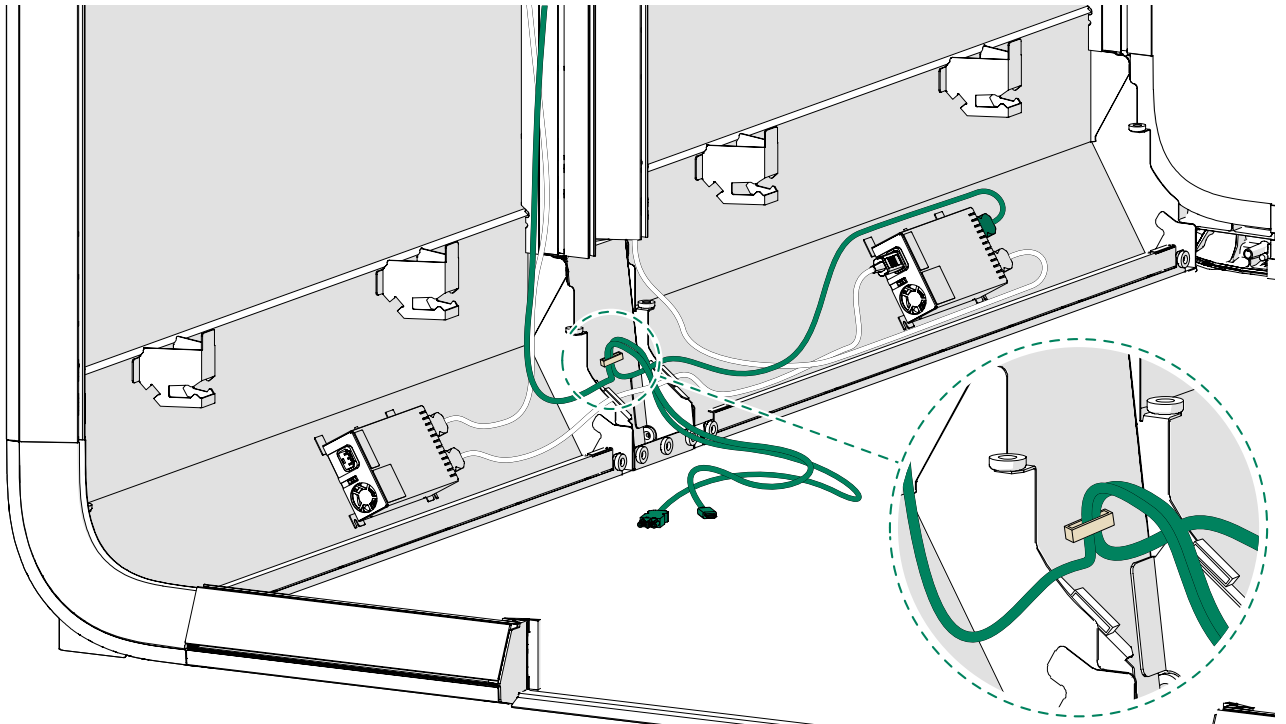


3.



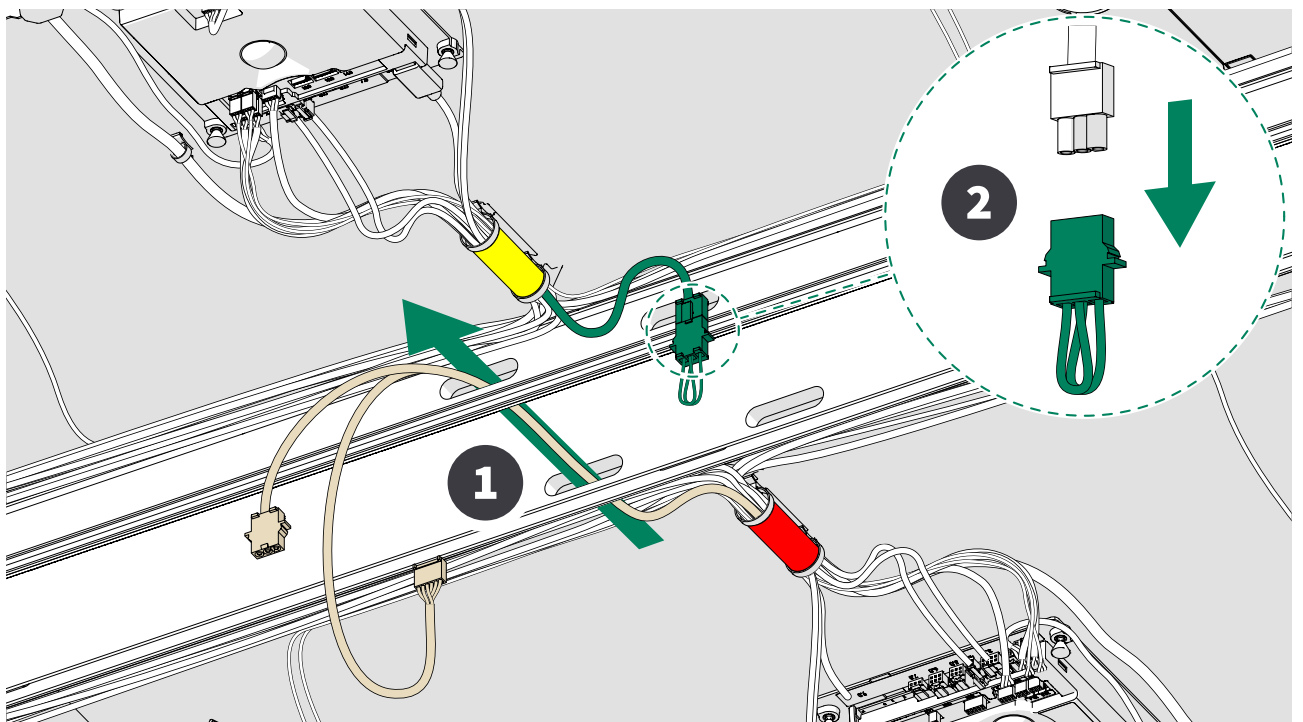
4. Connect the GST cable (outlet power cord) to the power unit and route it through the cable clip. Route the HDMI cable through the cable clip.

⚠ **Note:** The HDMI and GST cables are connected later when the table and touchscreen are installed.

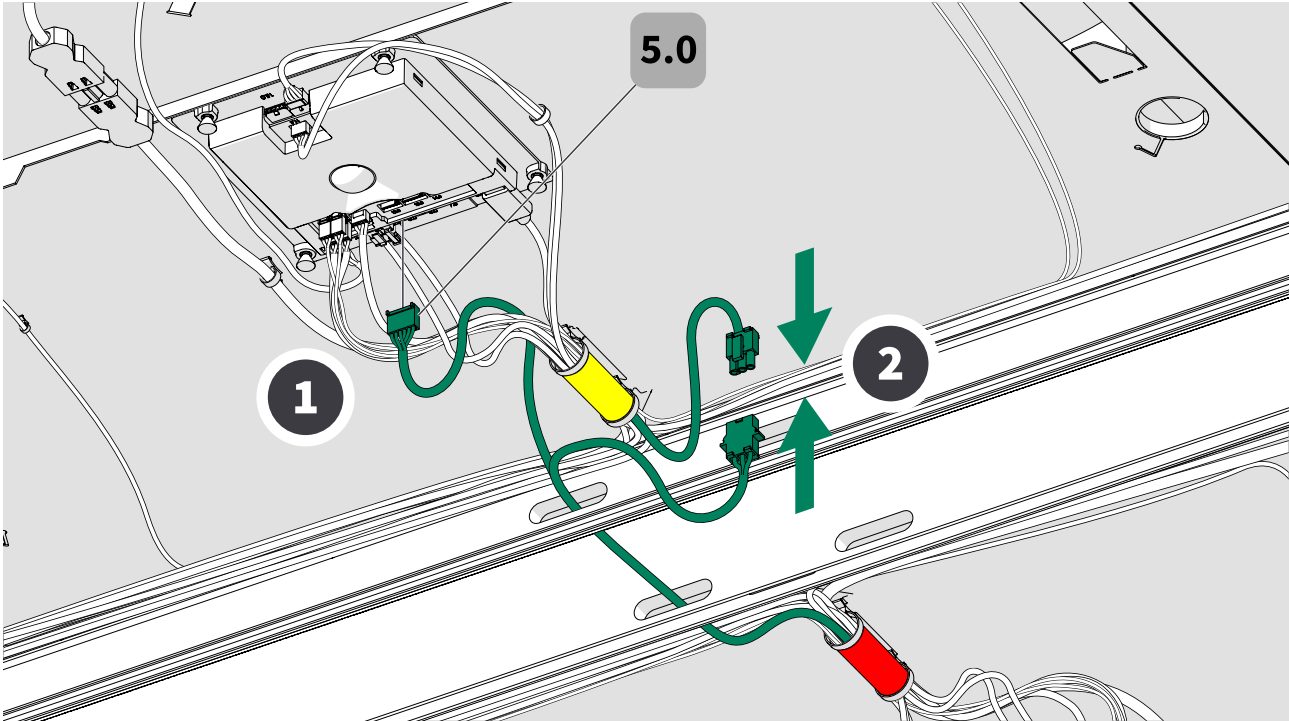


## 2.6 Connect the core and radar units

1. ⚠ **Note:** Guide the cord through the opening which is closer to the side to which the cable harness is guided.



2.



## 3 Exterior

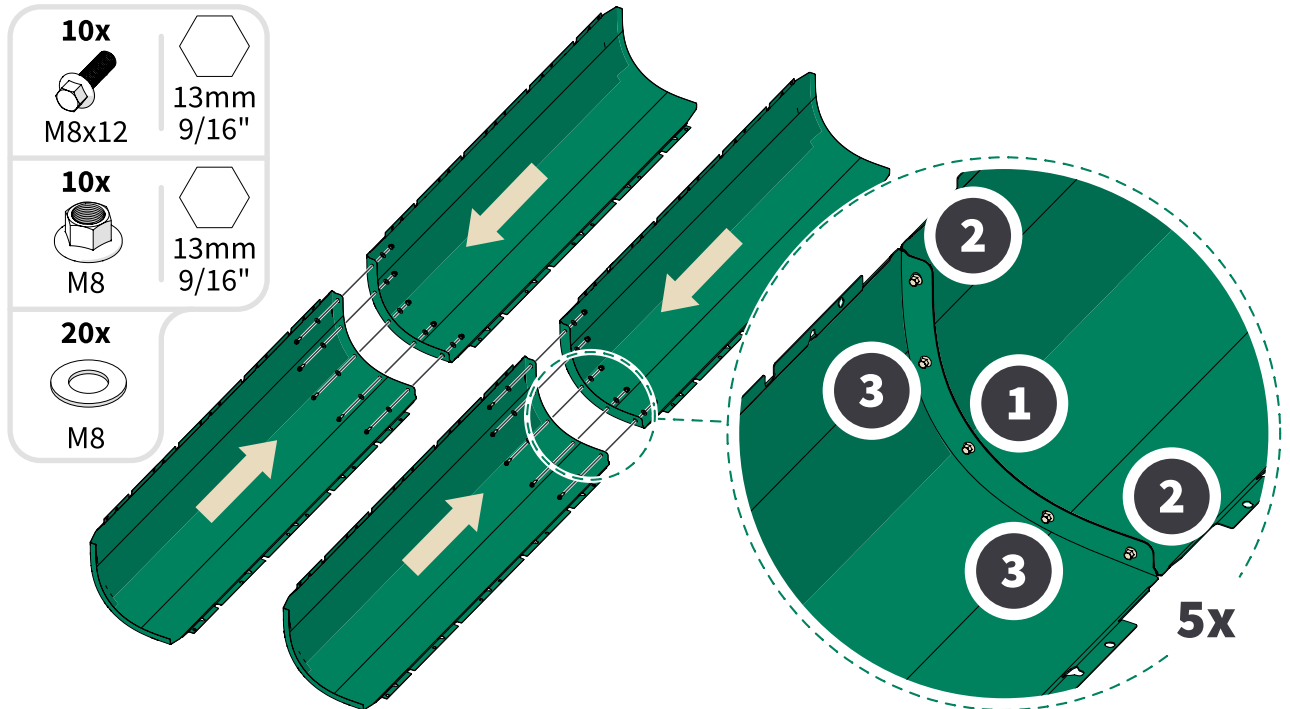
### 3.1 Install the roof exterior panels (corners)


**Attention:** Make sure that the exterior panels are bolted together firmly and in the order shown in the instructions.

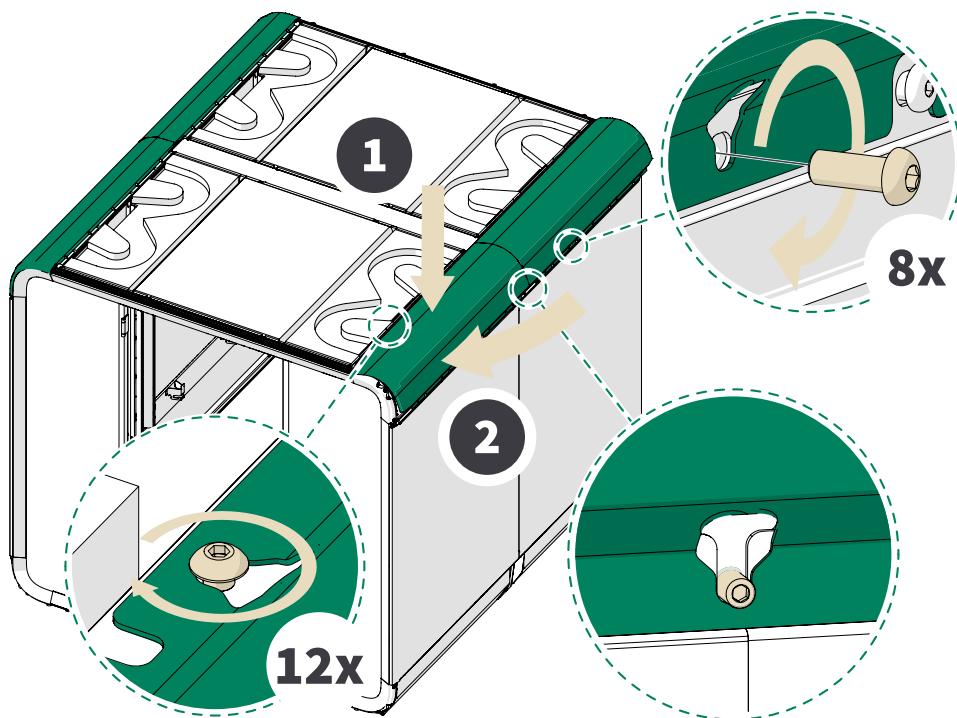
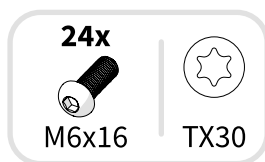


**Note:** Stand on a step ladder when you install components to the roof of the pod. Never climb on top of the pod.



1.

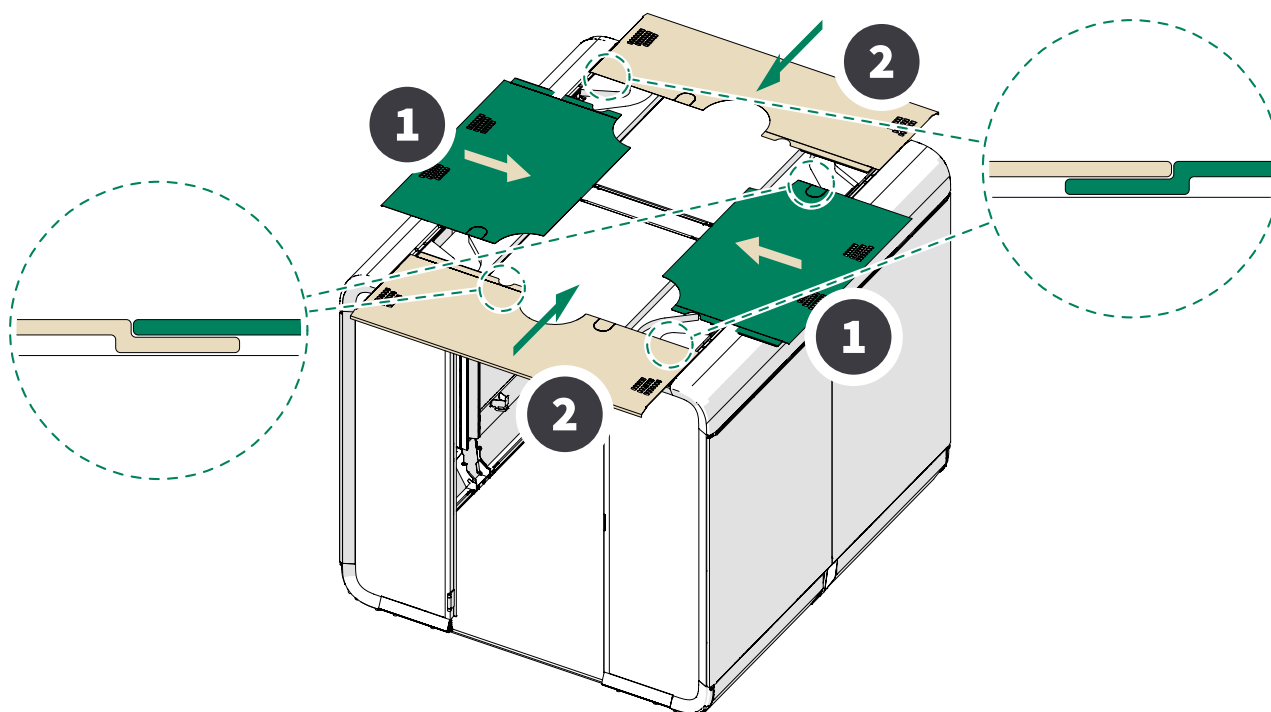


2.  **Note:** Before you tighten the screws on the wall side, make sure that the pin is in the panel cut.

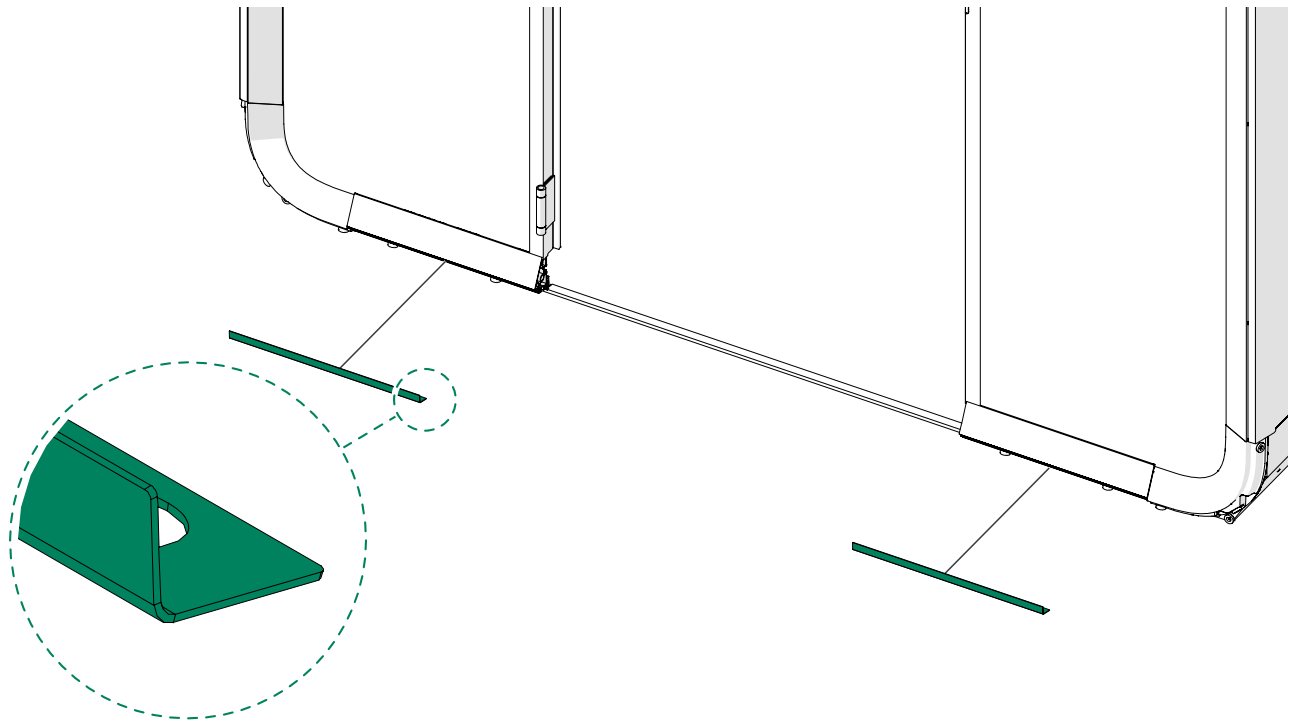


### 3.2 Install the roof exterior panels (middle, front, and back) and bottom exterior panels

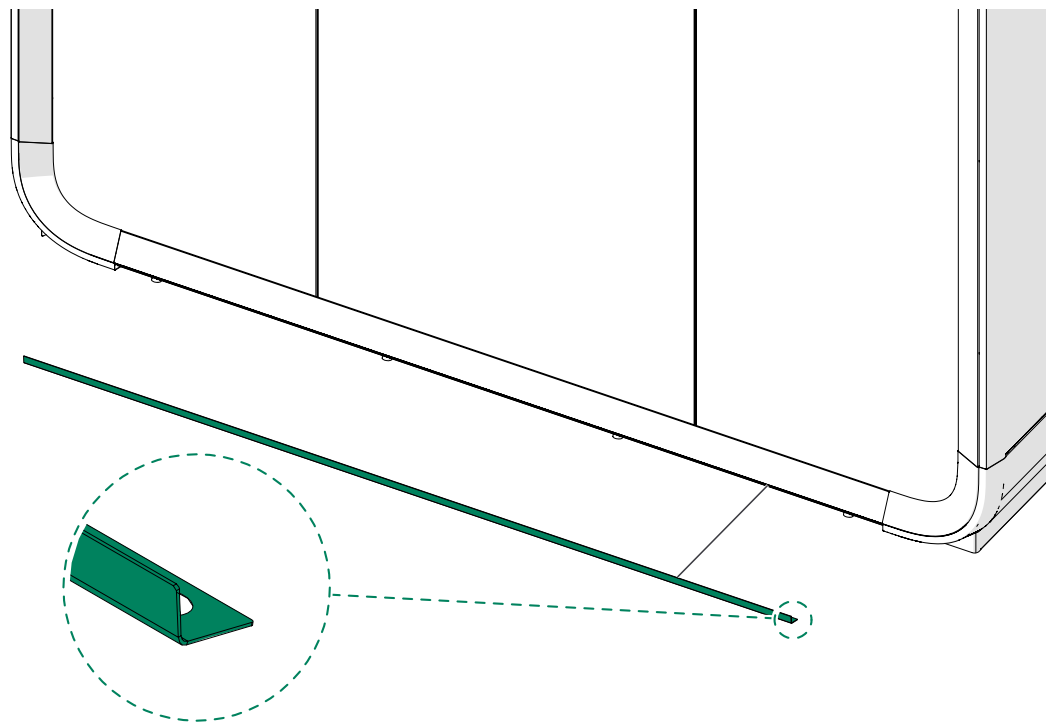
1.  **Note:** If the power cord is routed through the roof, remove the precut flap from the roof exterior panel on the correct side.
-  **Note:** Stand on a step ladder when you install components to the roof of the pod. Never climb on top of the pod.



2.



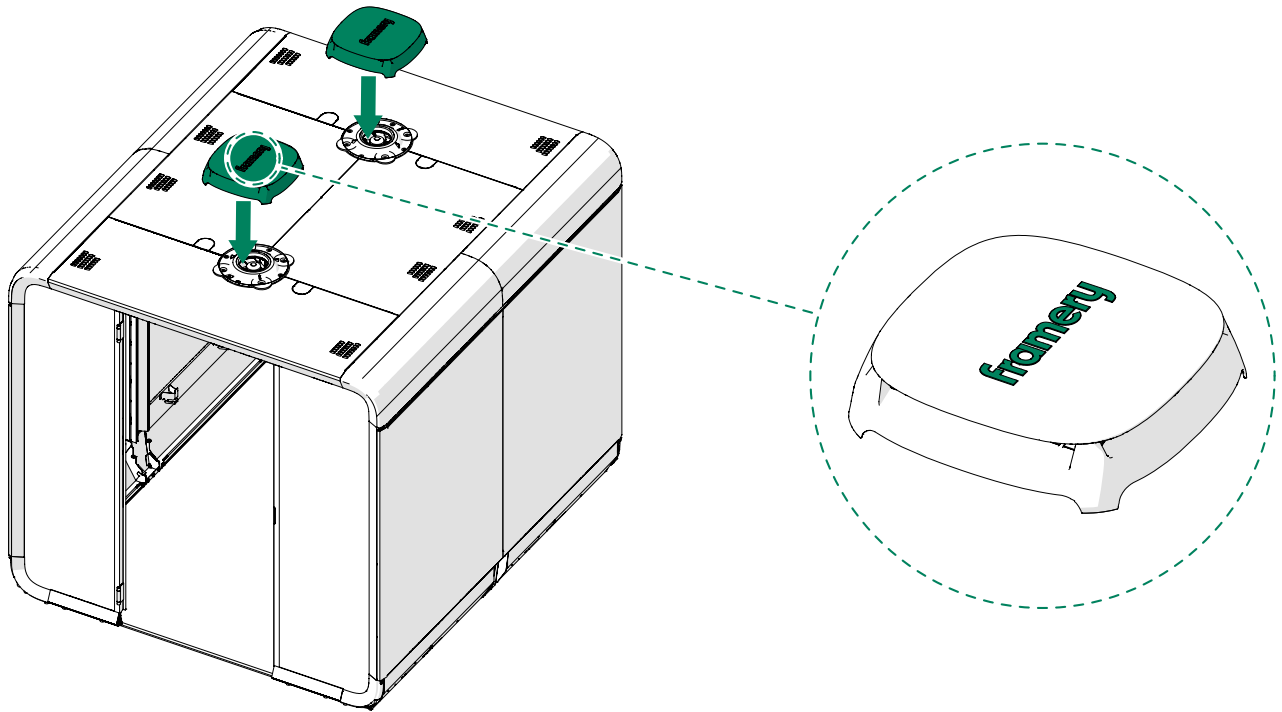
3.



### 3.3 Install the fan covers



**Note:** Stand on a step ladder when you install components to the roof of the pod. Never climb on top of the pod.

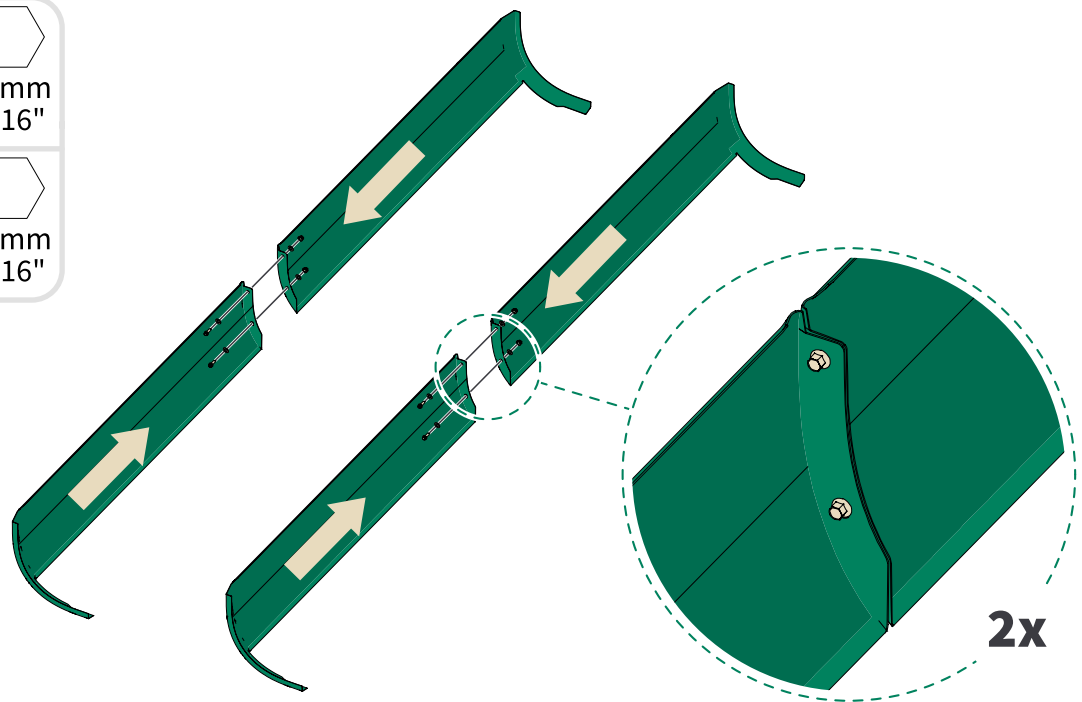


### 3.4 Install the floor exterior panels

⚠ **Note:** Minimize the gap between the frame pipes and exterior panels. Make sure that the exterior panels connect seamlessly to the body of the pod.

1.

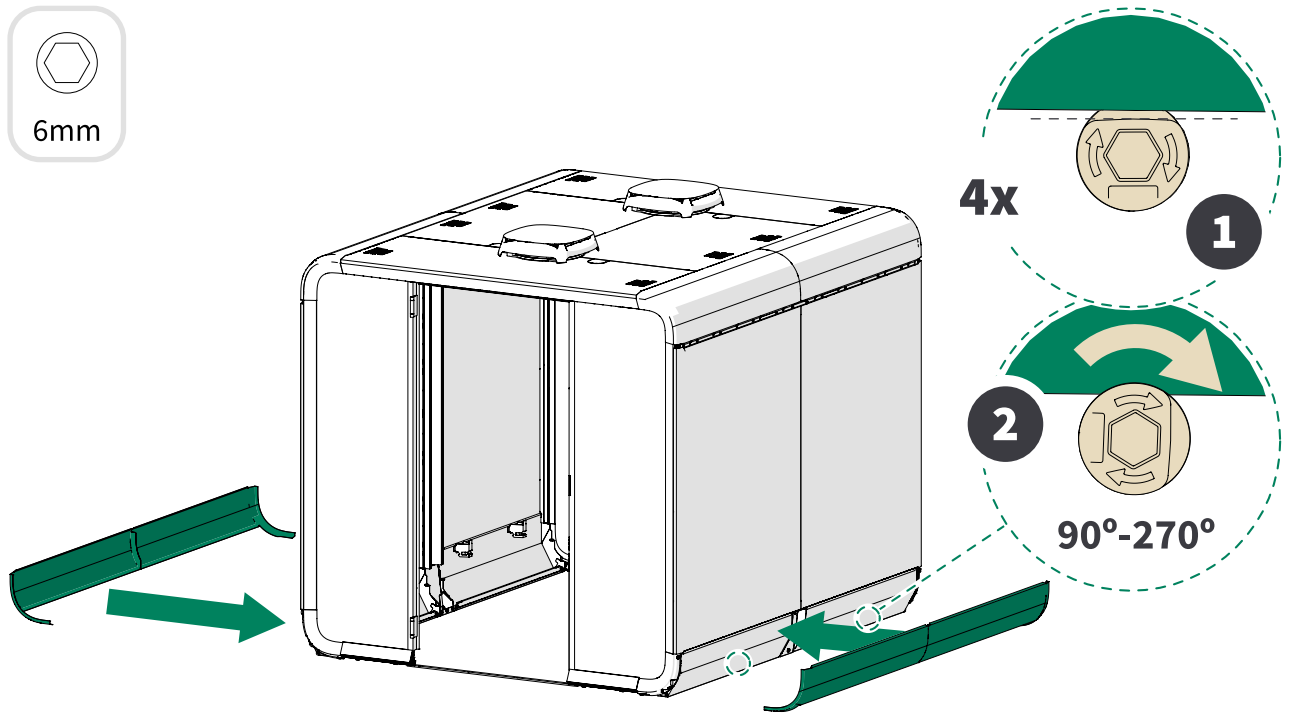
- |                        |                   |
|------------------------|-------------------|
| <b>4x</b><br><br>M8x12 | <br>13mm<br>9/16" |
| <b>4x</b><br><br>M8    | <br>13mm<br>9/16" |
| <b>8x</b><br><br>M8    |                   |



2.

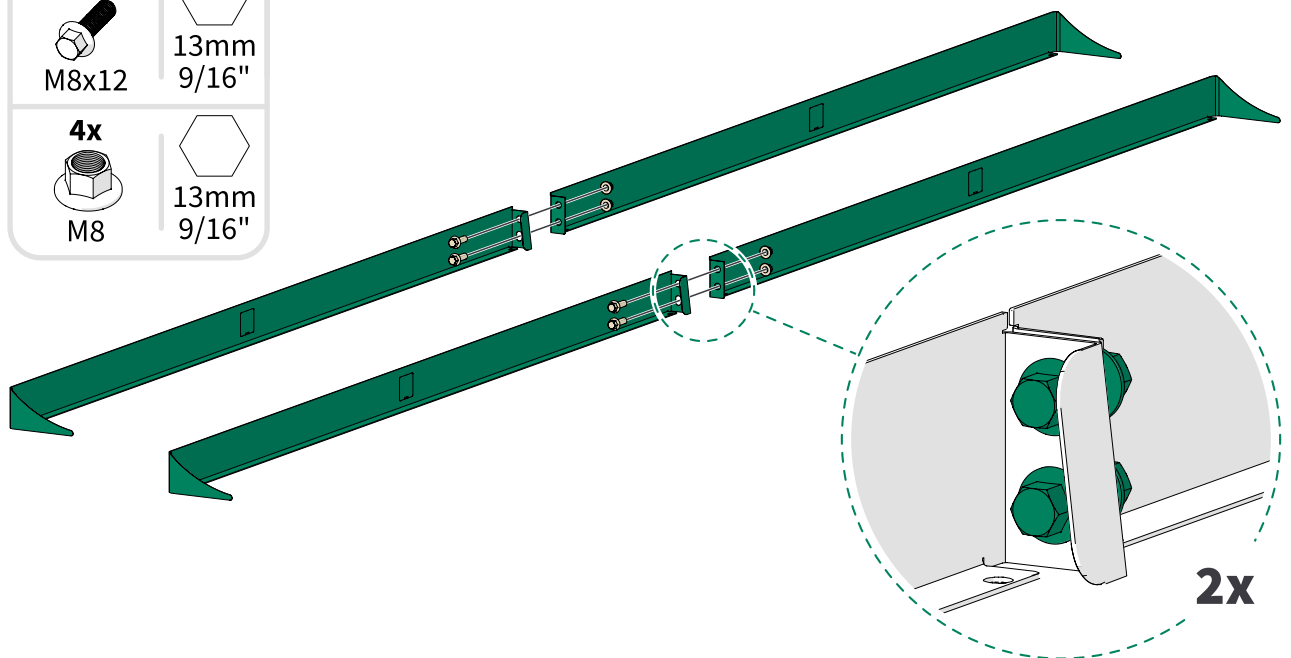
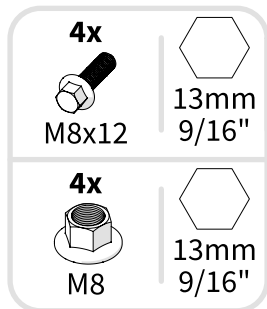


**Note:** Turn the fasteners until there is no gap between the exterior panels and frame pipes.

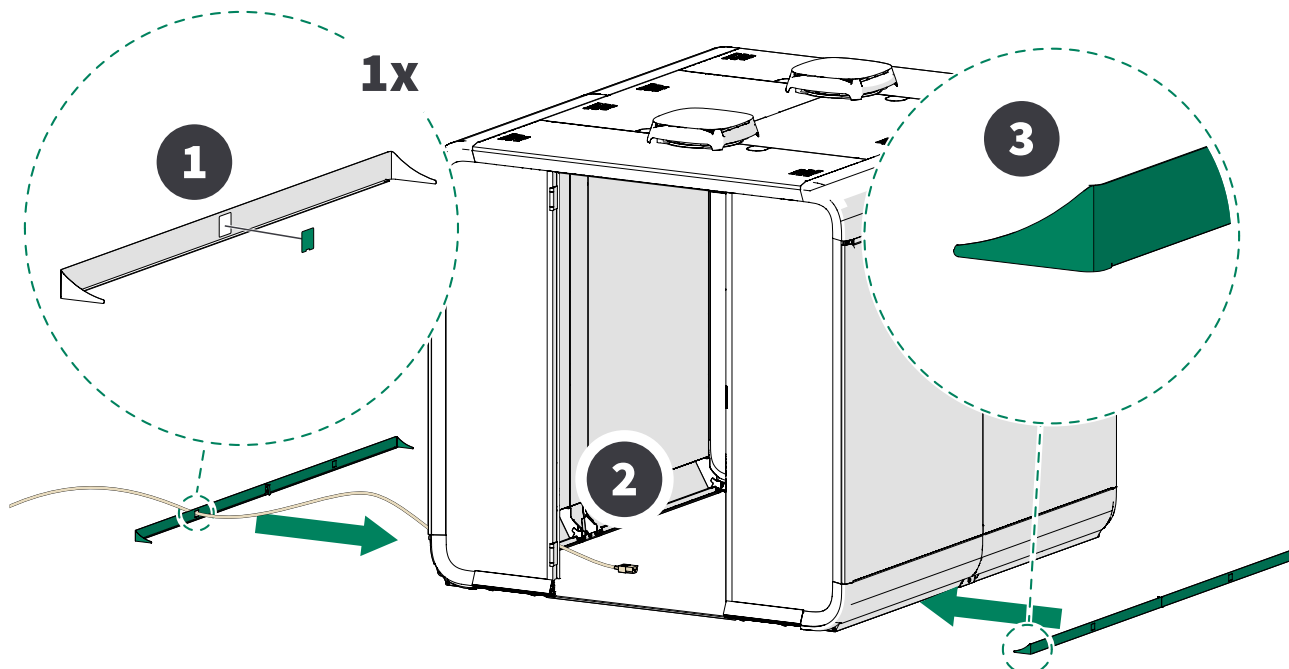


### 3.5 Install the floor covers

1.



2.




### 3.6 Install the AC power cord

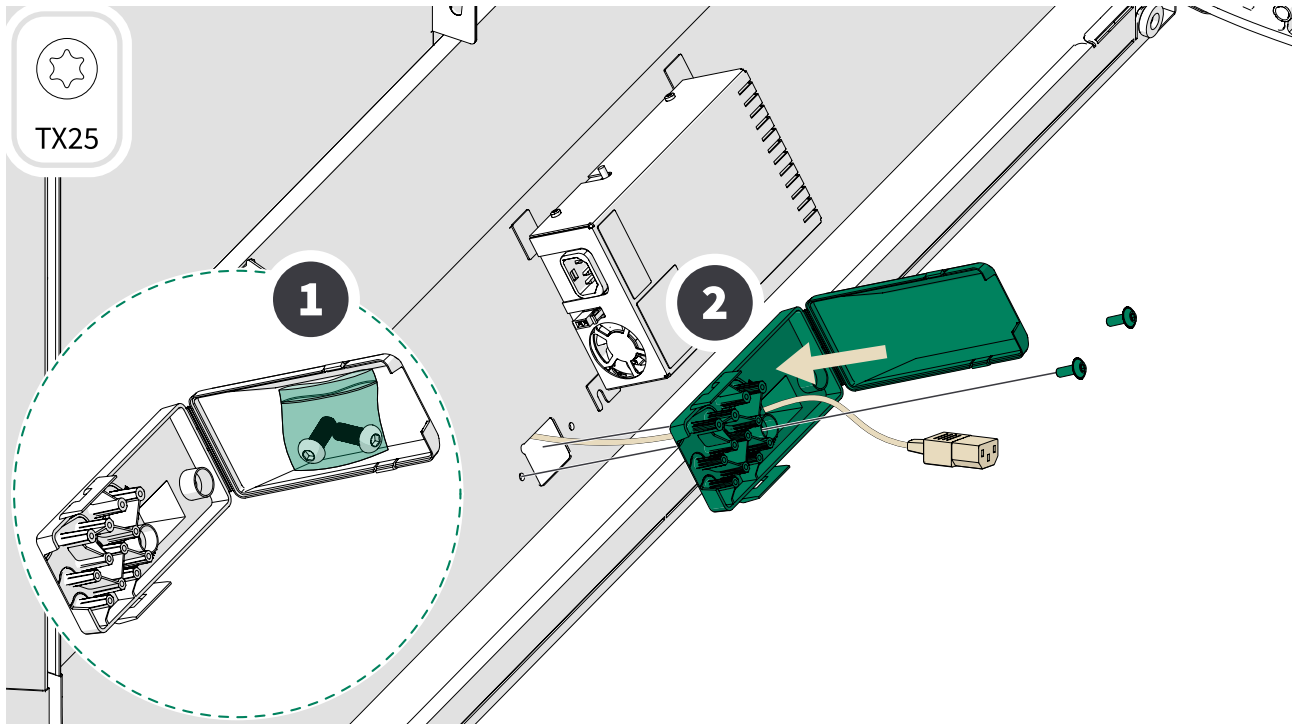


**Note:** Before you install the AC power cord, confirm the location of the power outlet that the pod will be connected to. Route the AC power cord according to the location of the power outlet.

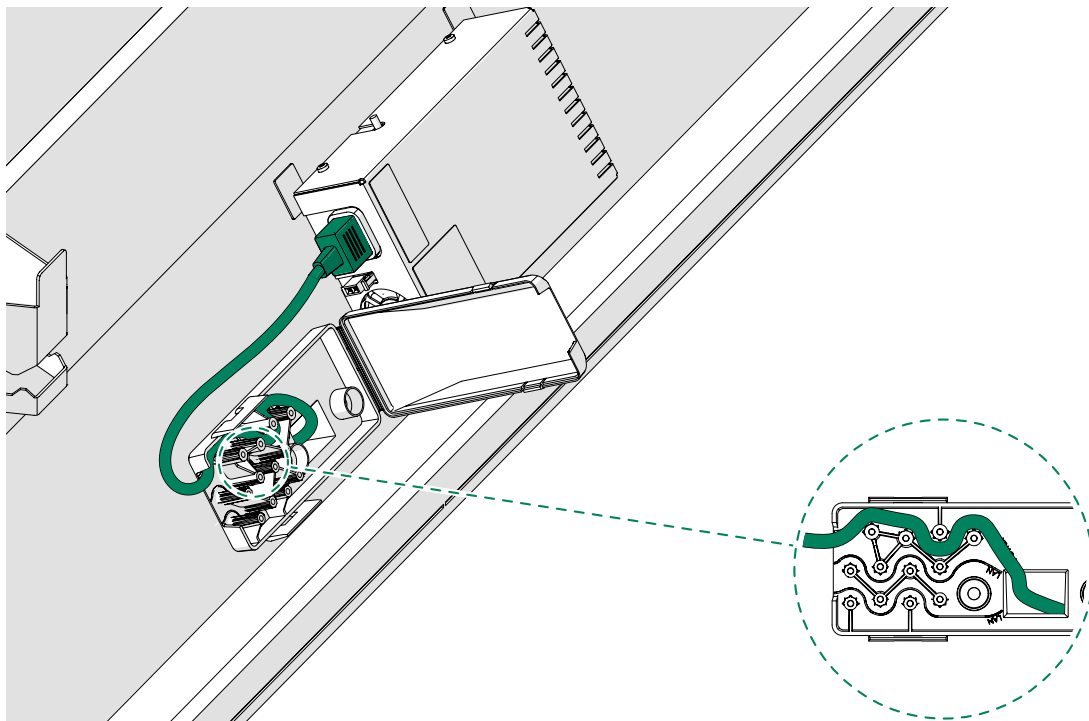
- If the outlet is located close to the bottom of the pod, route the power cord through the floor.
- If the outlet is located close to the top of the pod, route the power cord through the roof.

### 3.6.1 Route the AC power cord through the floor


- 
**Note:** Remove the precut flap only from the side where the power cord is routed out of the pod.

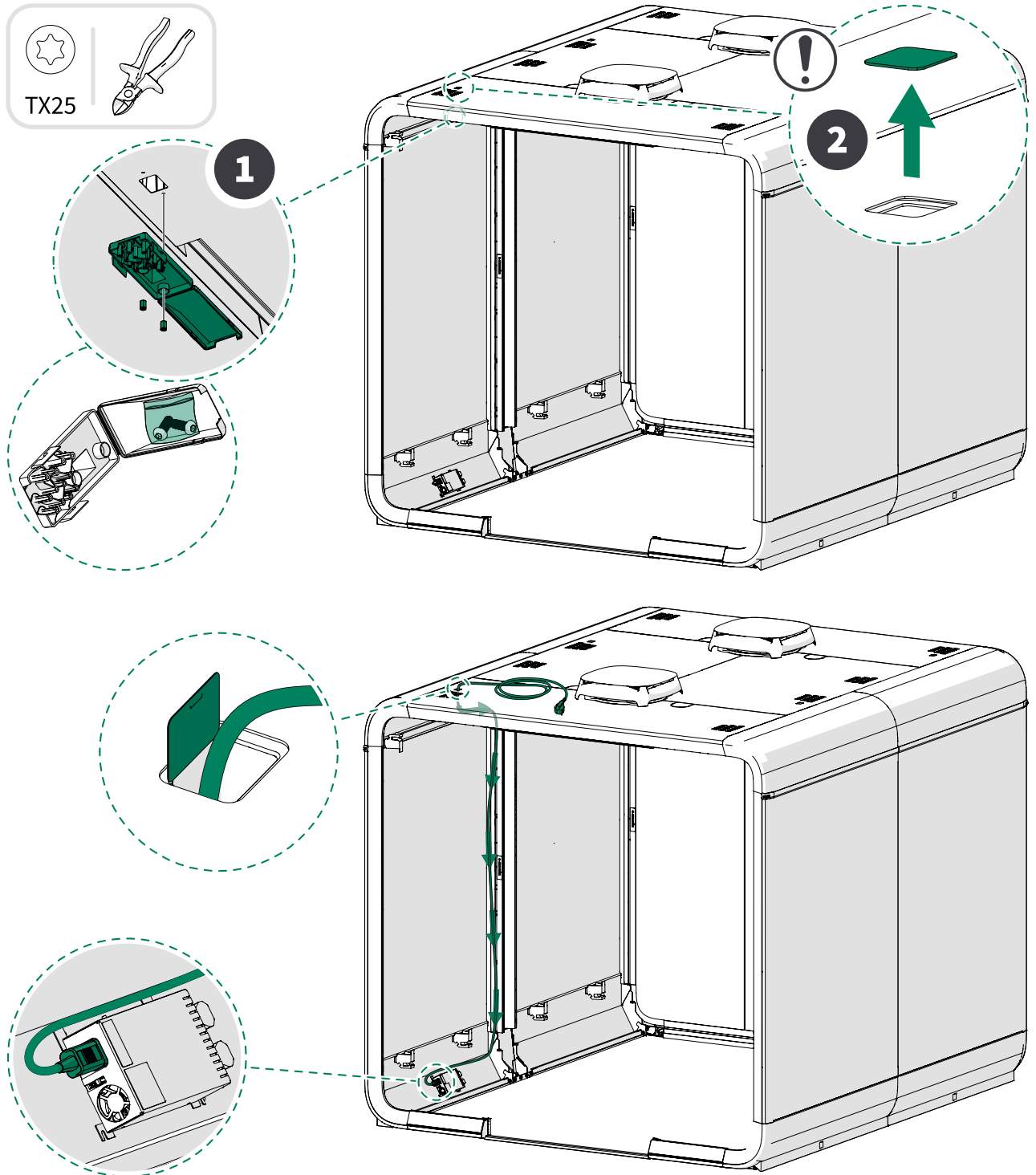


- 

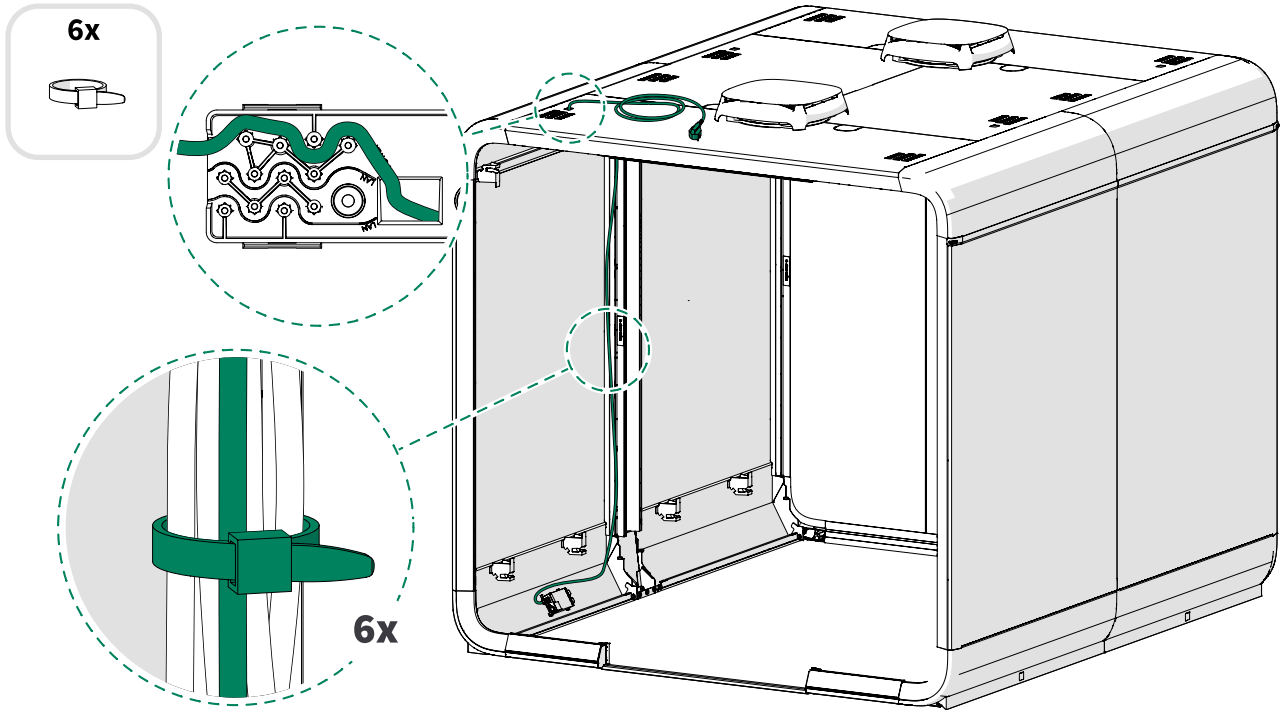


### 3.6.2 Route the AC power cord through the roof

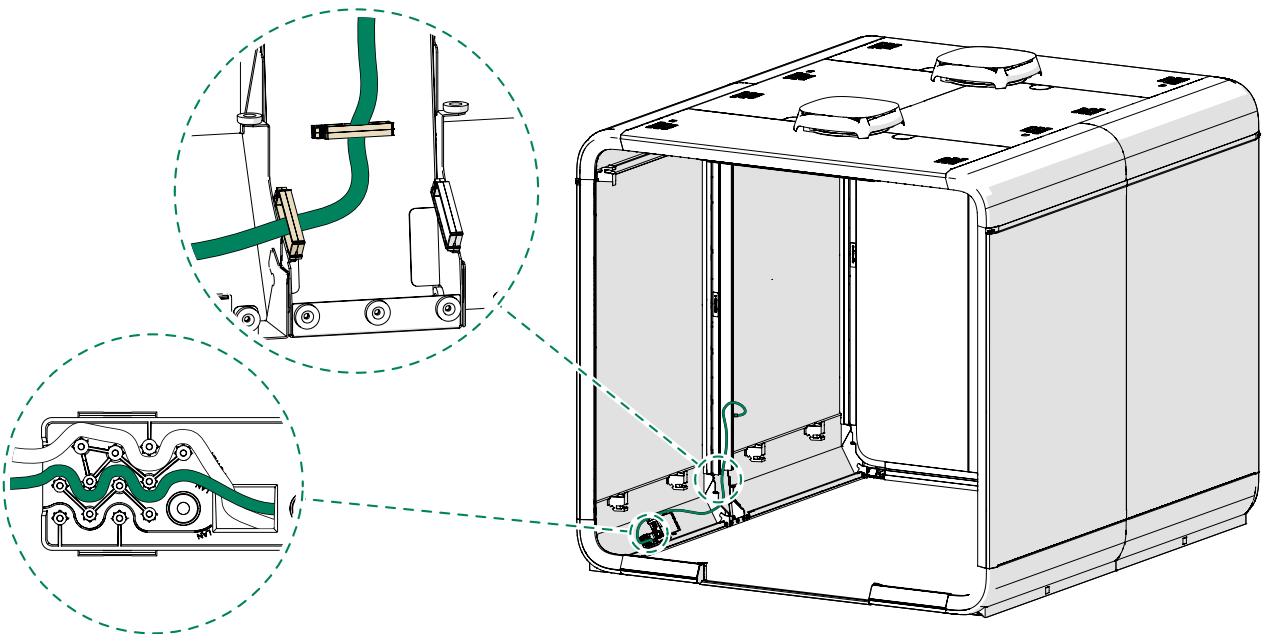
- 
**Note:** Remove the precut flap only from the roof exterior panel that is located above the power unit.



3.



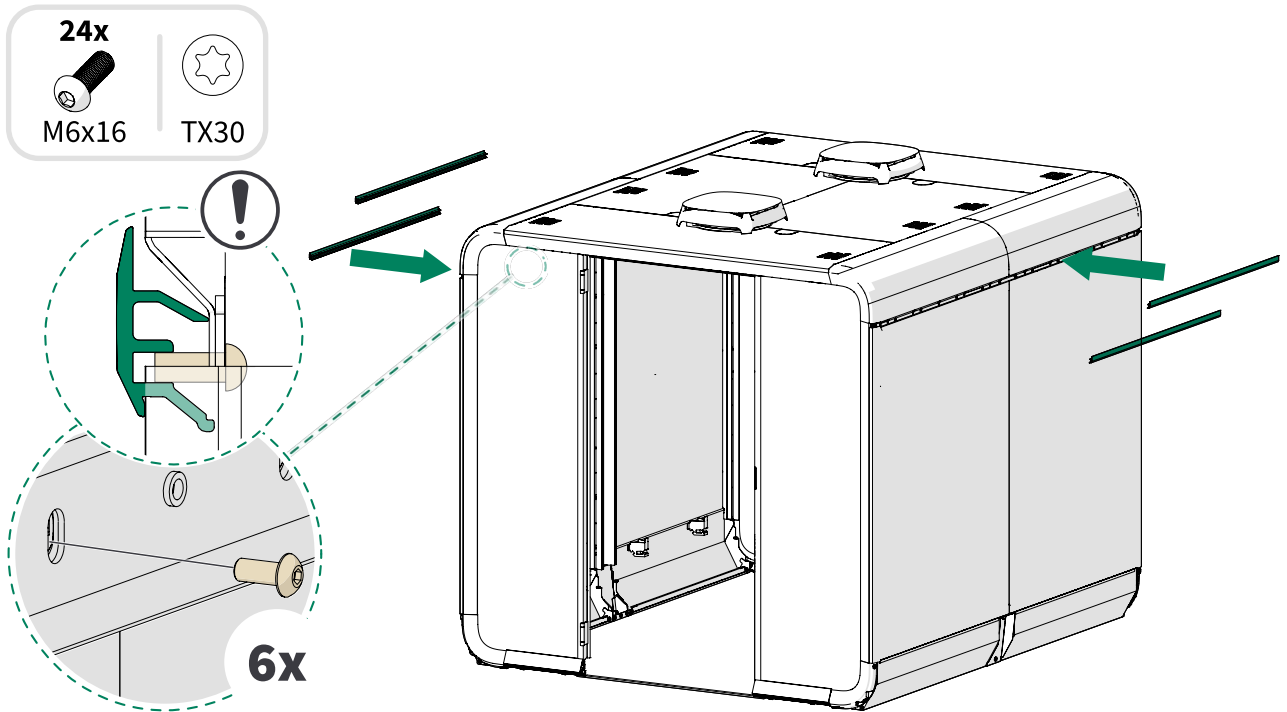
### 3.6.3 Install the LAN cord (optional)



### 3.7 Install the add-on rails

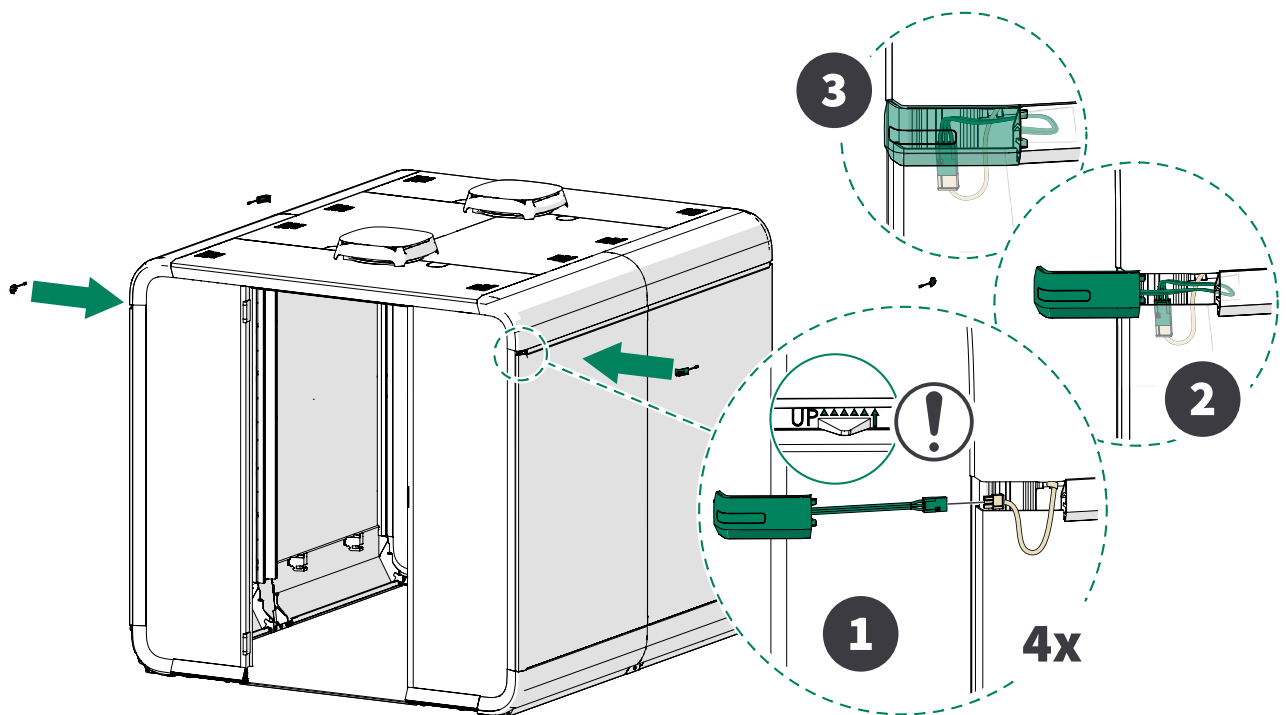


**Note:** Secure the add-on rails from the inside of the pod while another installation technician pushes them from the outside.



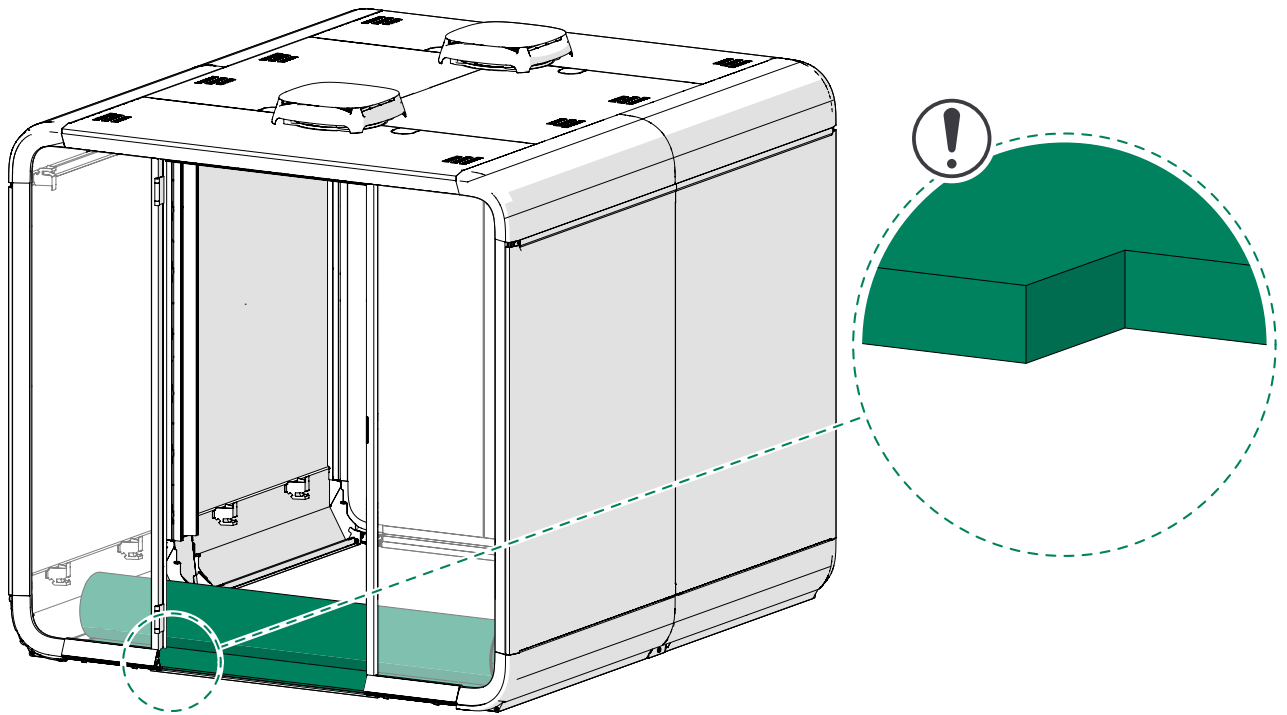
### 3.8 Install the occupancy lights

- ⚠ **Note:** Check the "UP" marking on the inner surface of the occupancy light and make sure that you install the lights on the correct side of the pod.

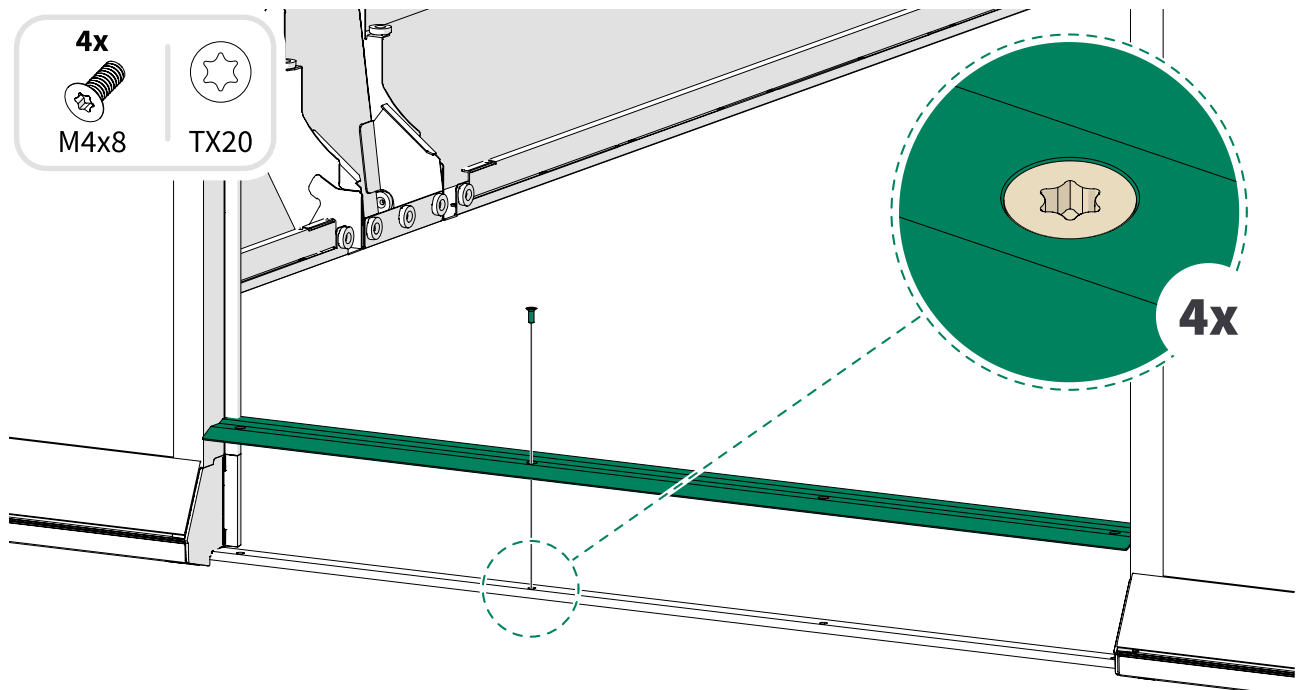


## 4 Door


### 4.1 Install the carpet

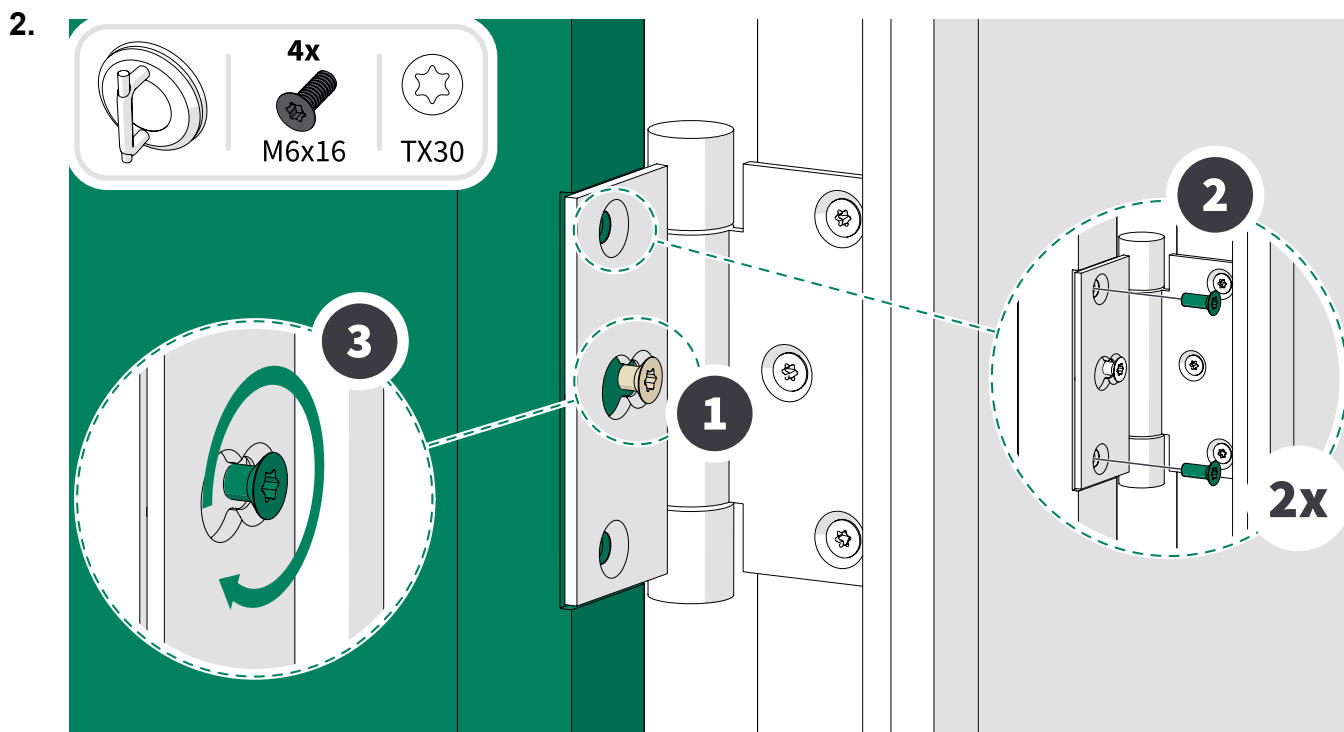
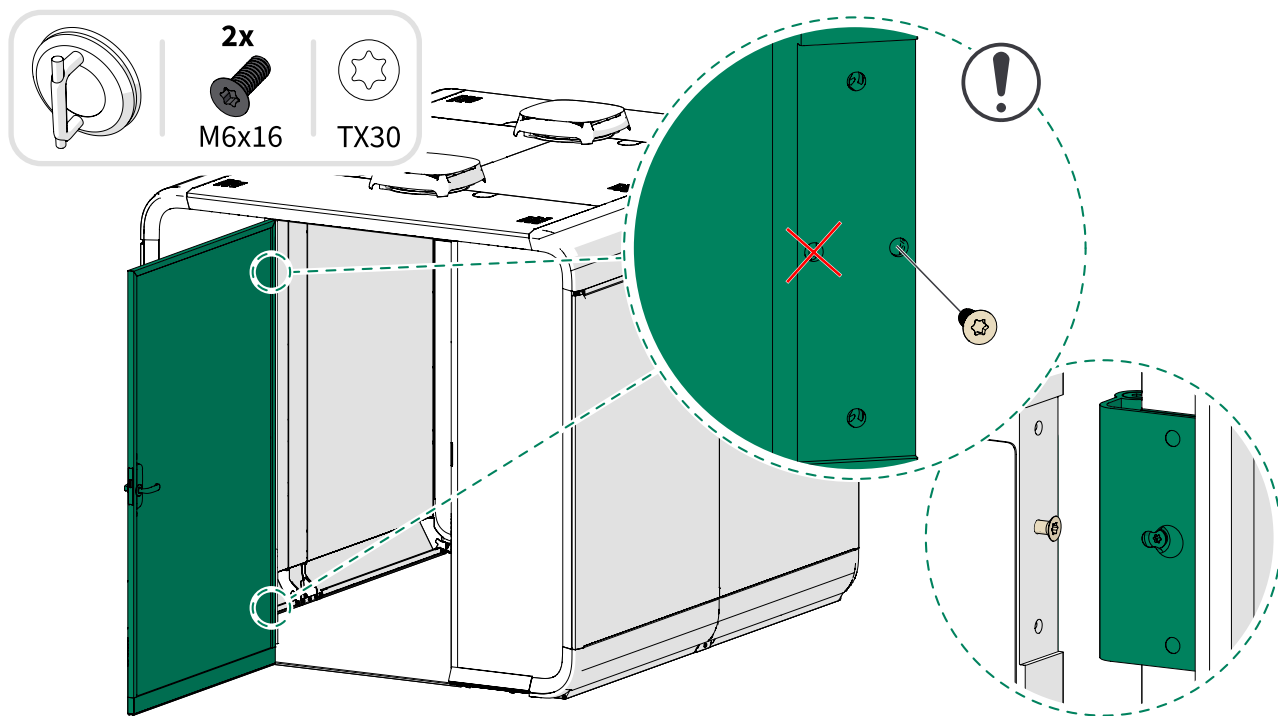


### 4.2 Install the threshold



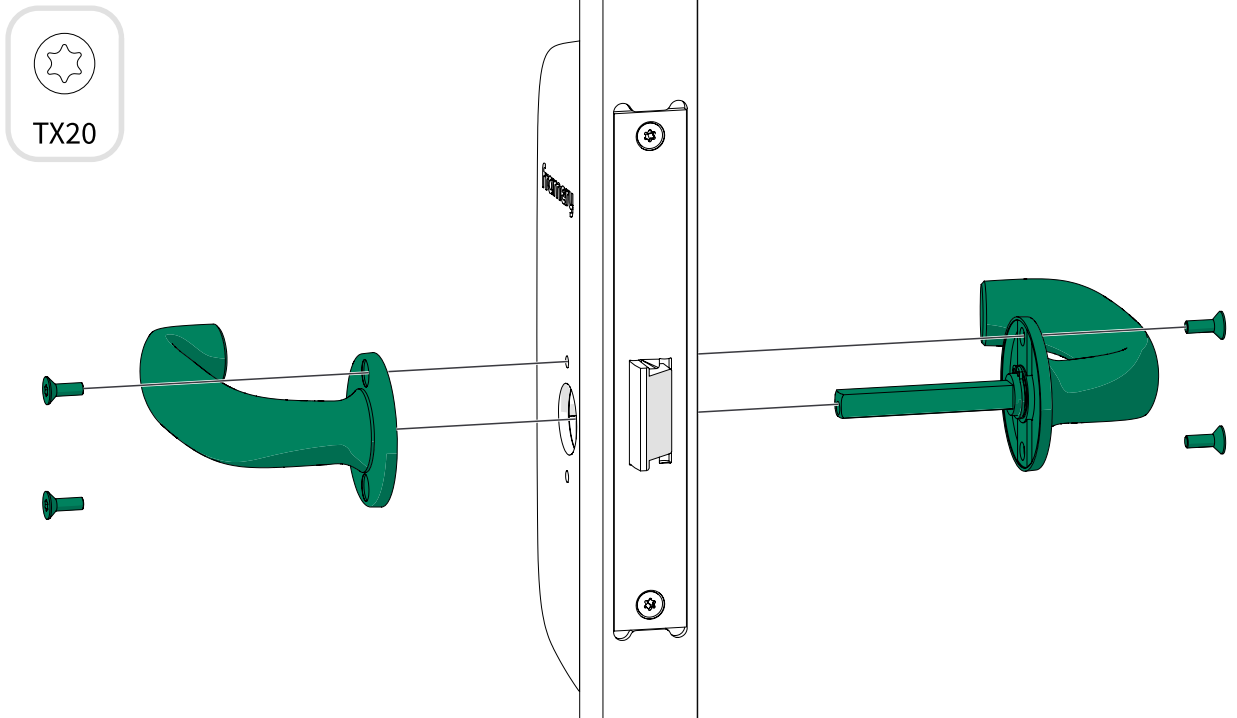
### 4.3 Install the door

- 
**Note:** Recommended attachment point for the suction cup is slightly above the knee.

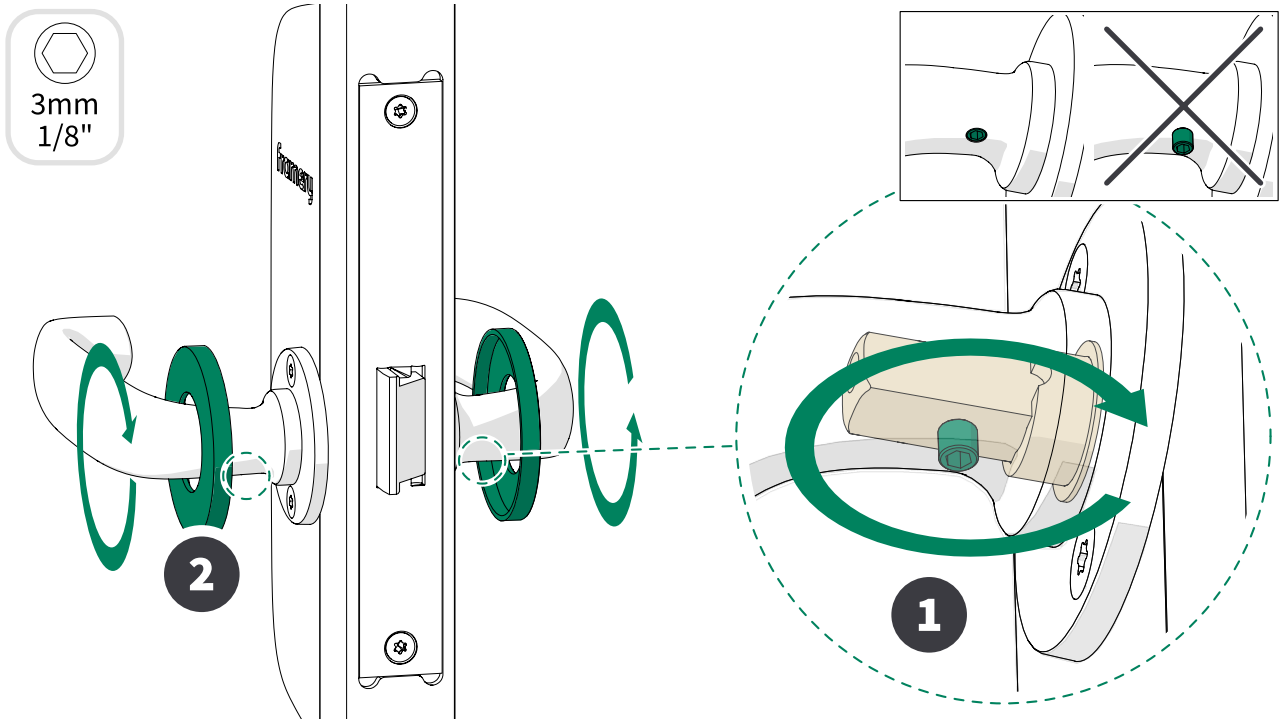


## 4.4 Install the door handle

1.



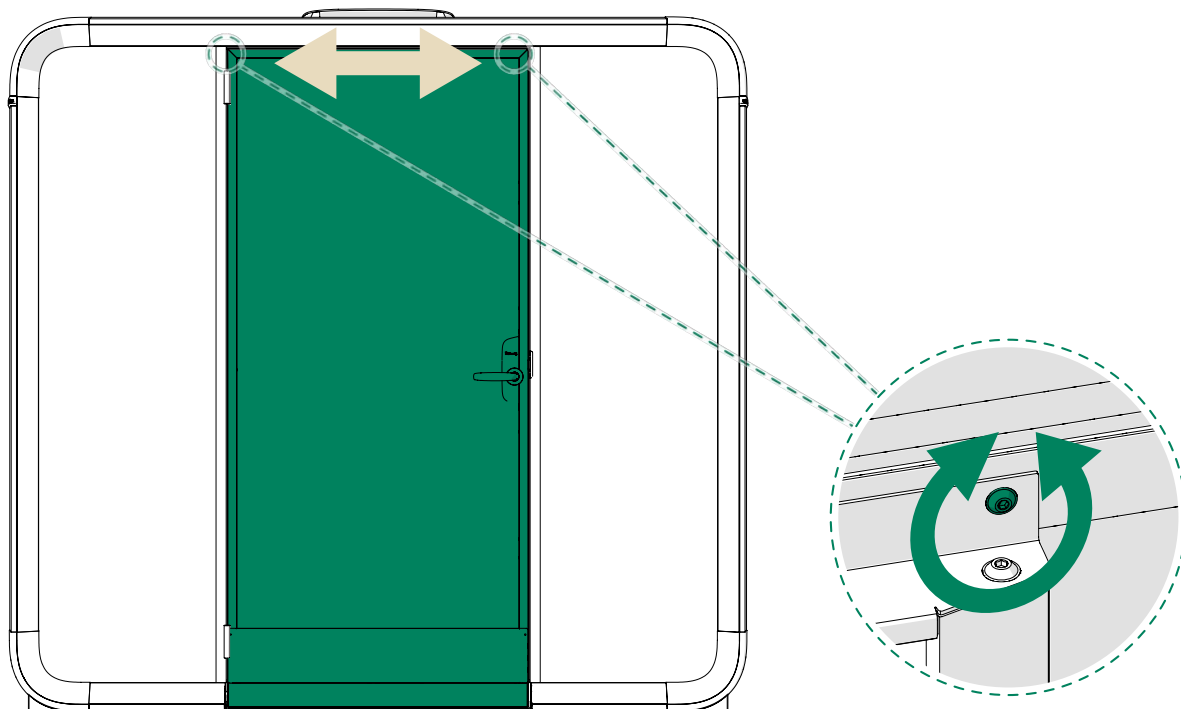
2.



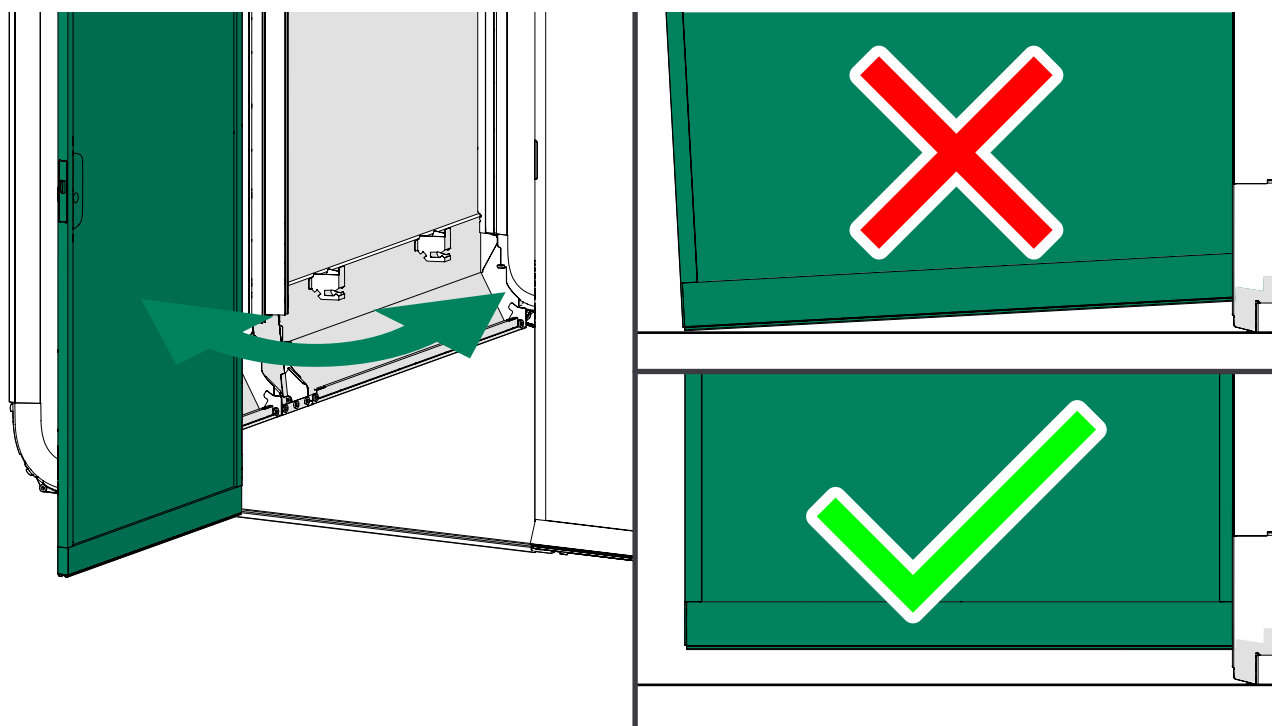
## 4.5 Adjust the door


**Attention:** If the door is not adjusted according to the instructions, the door might not close properly, which could cause the door glass to break over time.

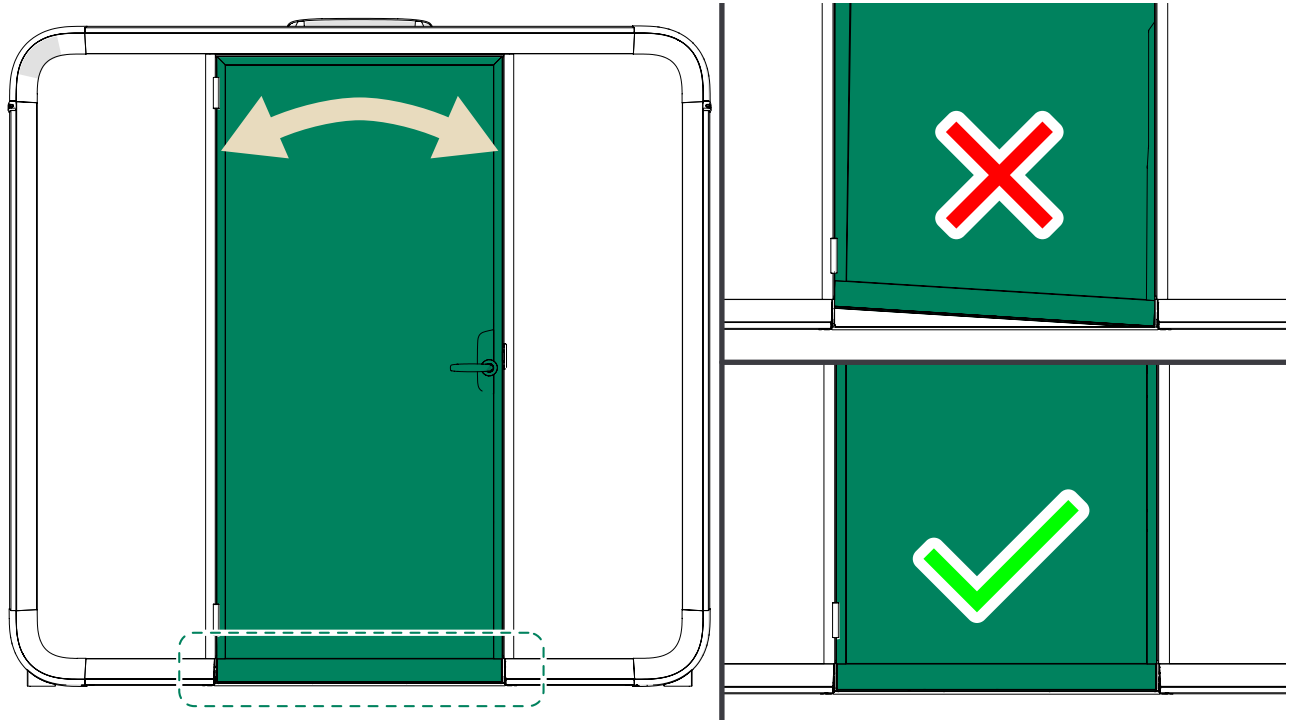
1. If the door does not close properly, loosen the ceiling threshold screws, adjust the door position, and retighten the screws.




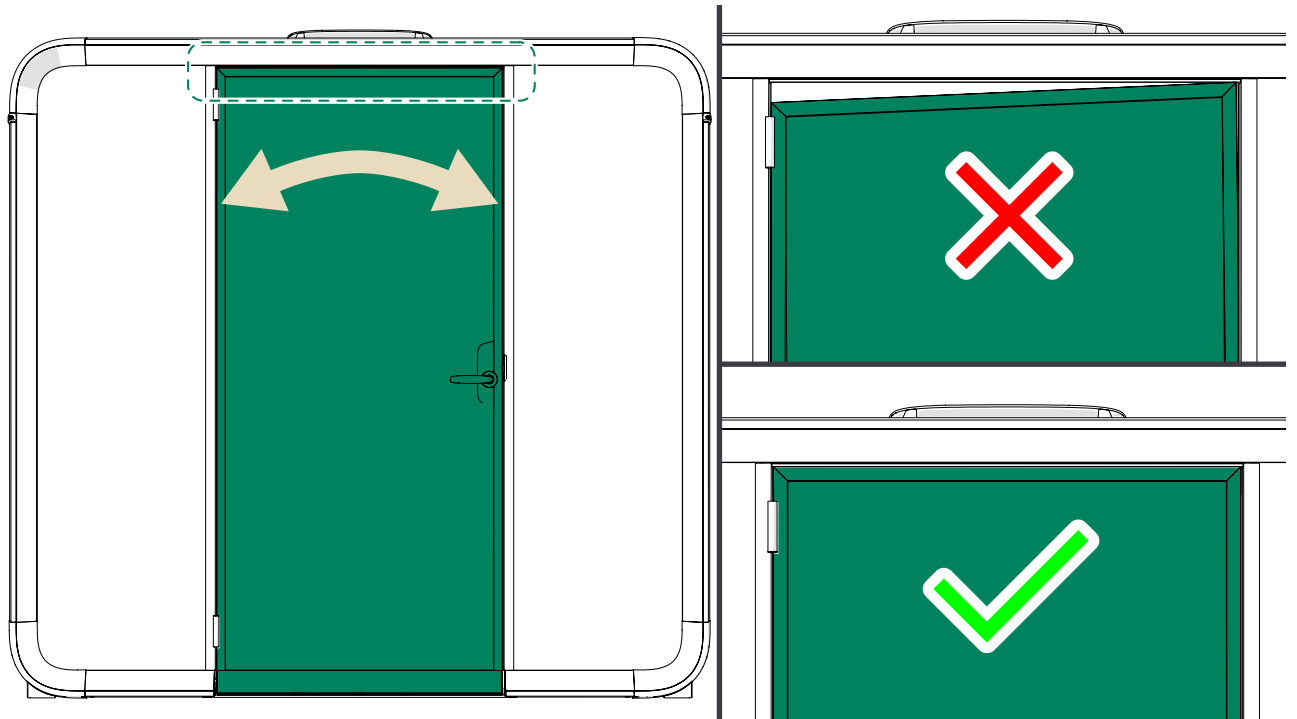
2.  **Note:** Open the door and make sure that it does not scratch the floor.




3.  **Note:** Open the door and make sure that it does not scratch the pod threshold.



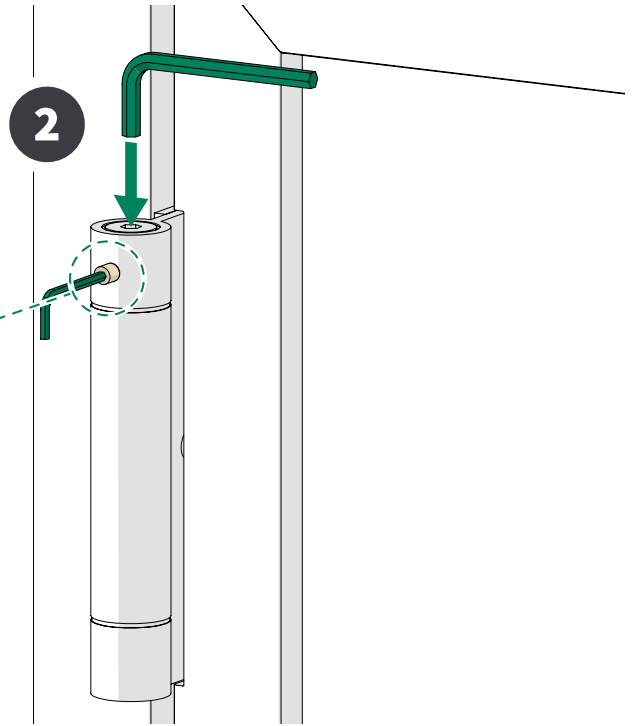
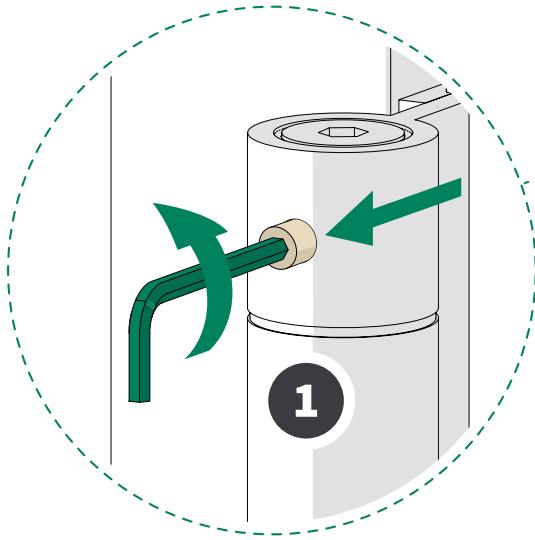
4.  **Note:** Open the door and make sure that it does not scratch the upper frame.



#### 4.6 Adjust the closing speed of the door

-  **Note:** Make sure that you adjust both hinges to the same setting.

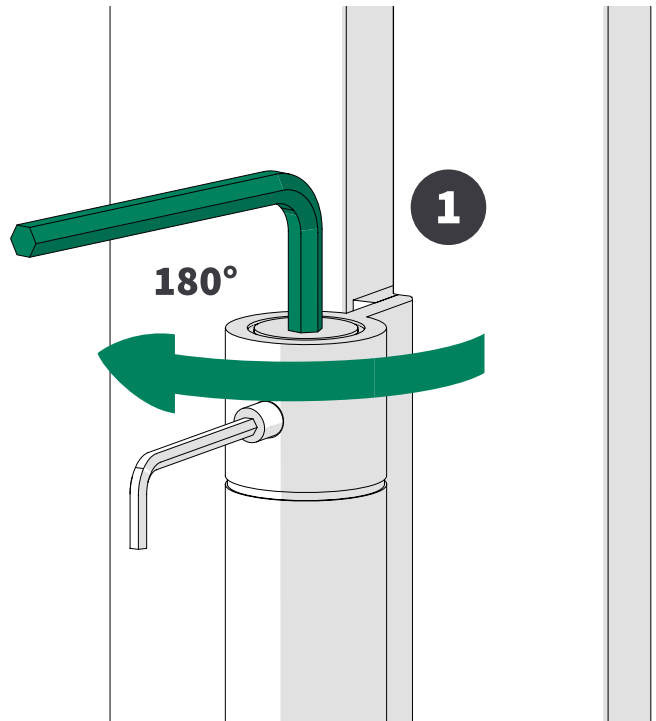
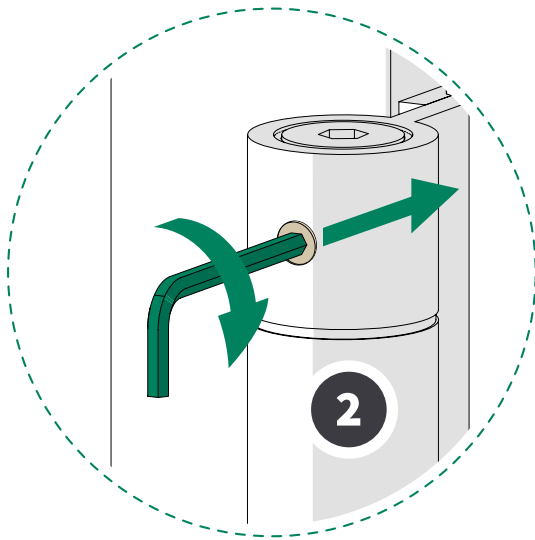
1.



2.

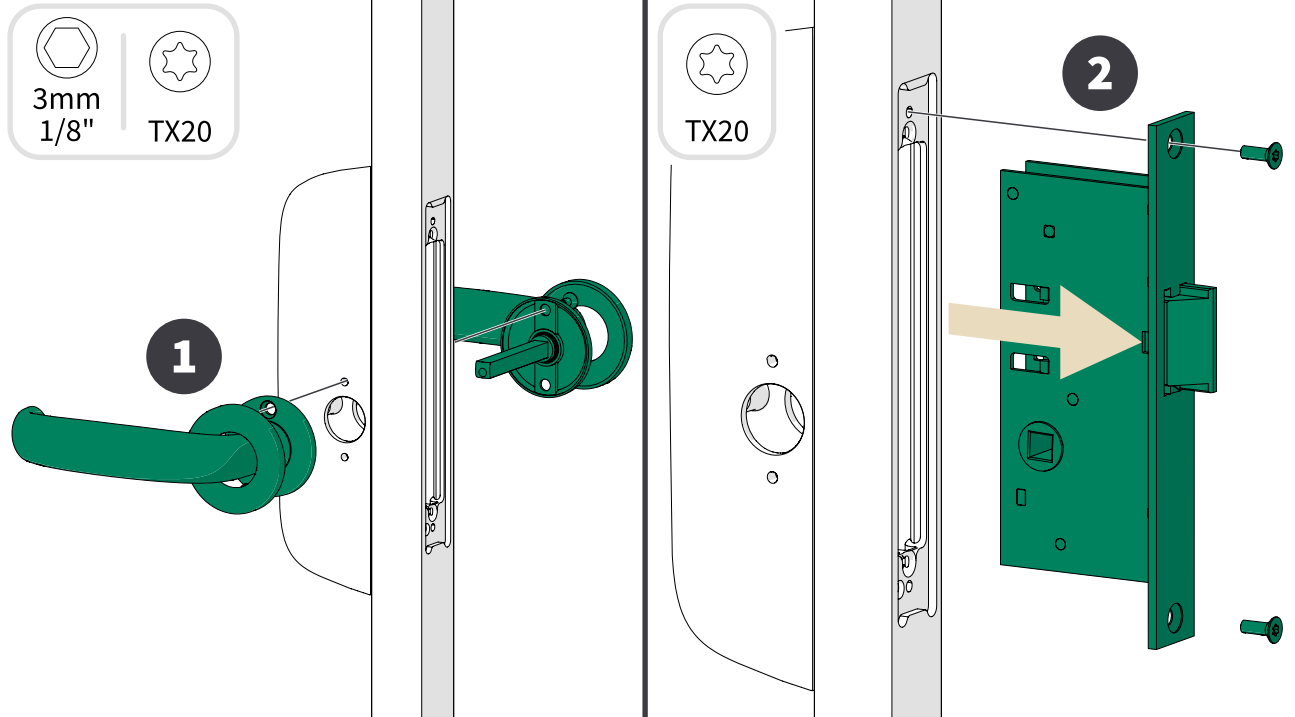


**Note:** If you have a right-handed door, adjust the spring counter-clockwise.

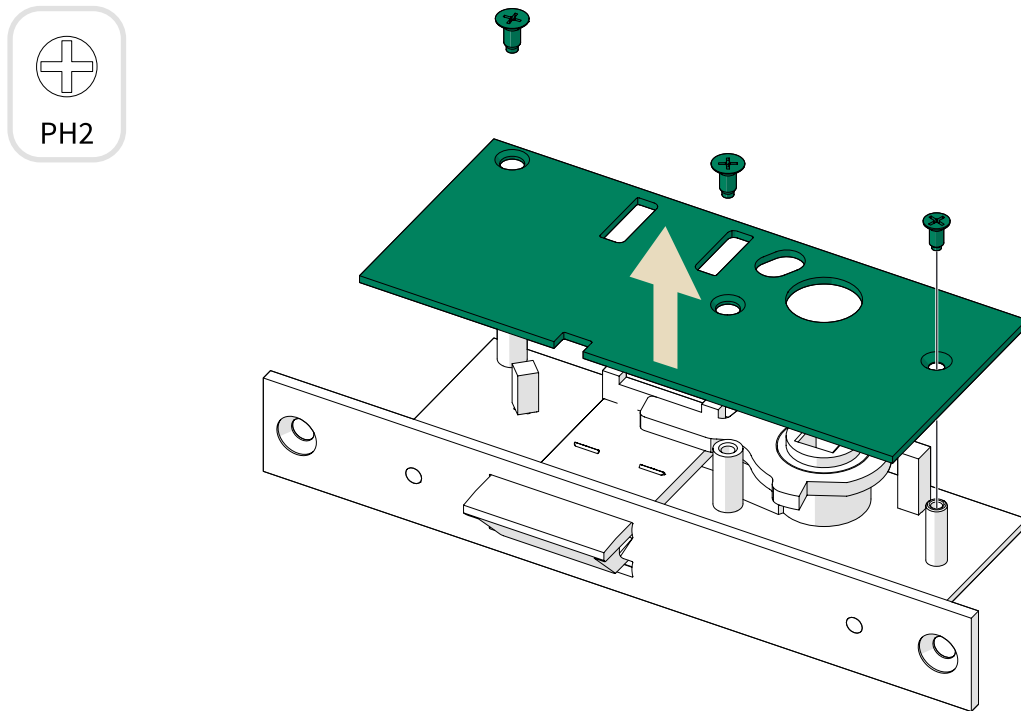


#### 4.7 Change the door handedness (optional)

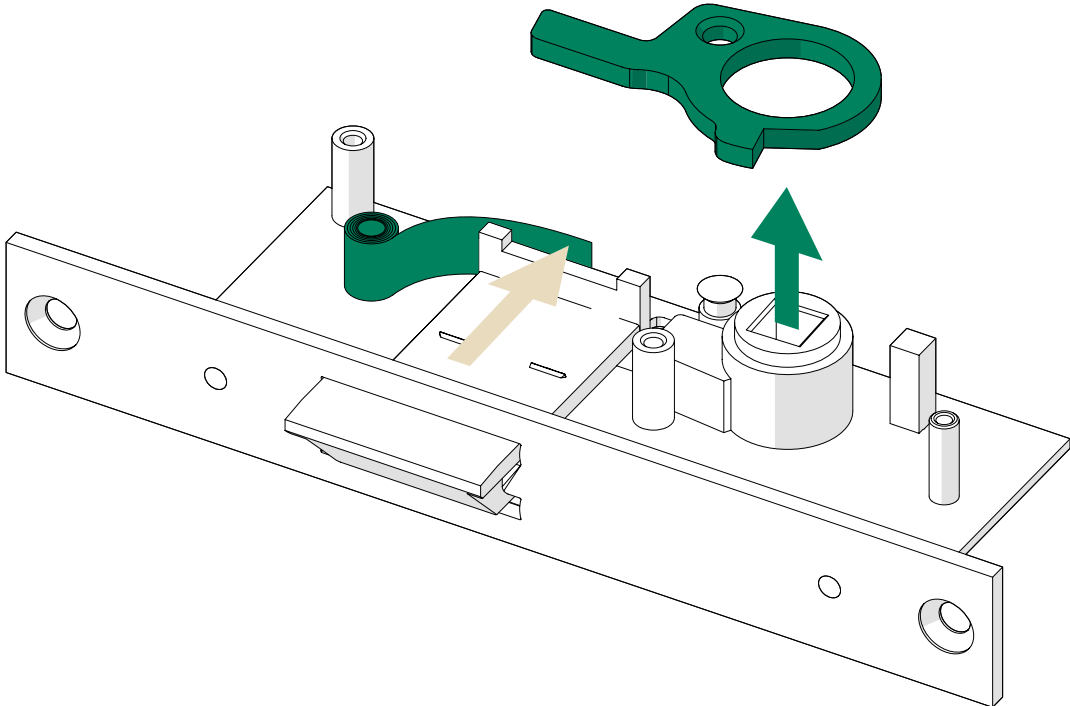
1.



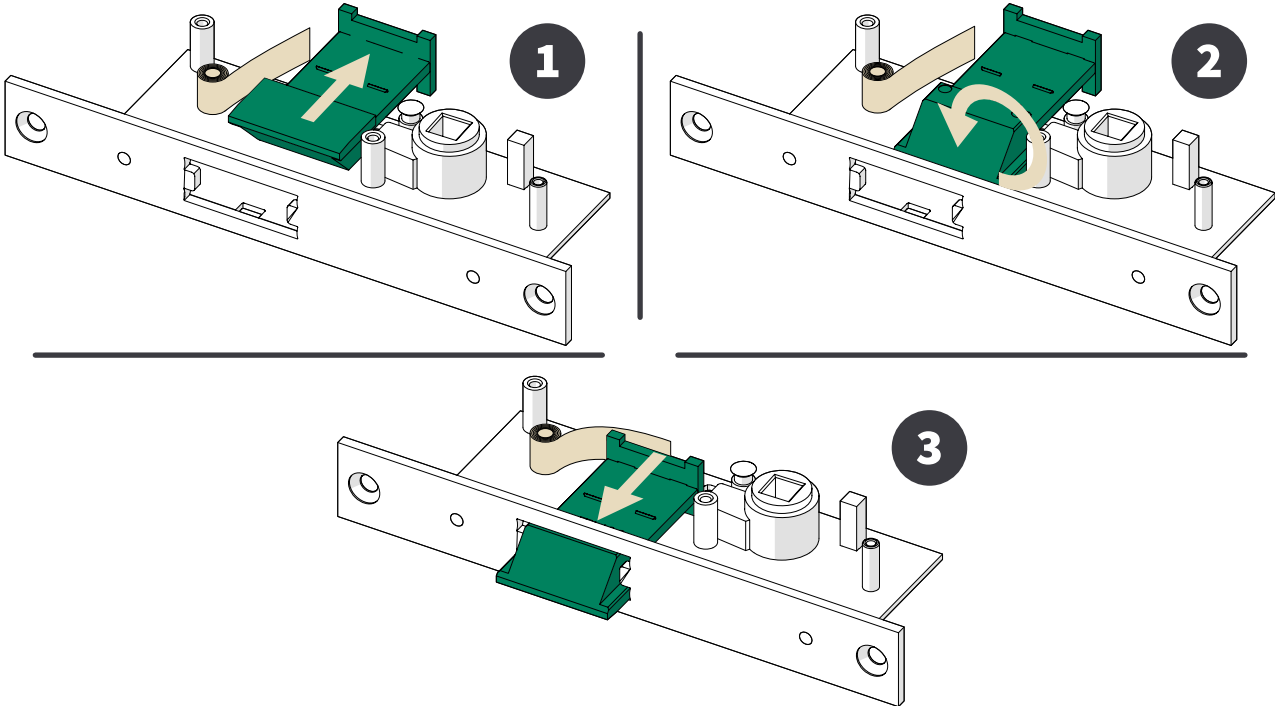
2.



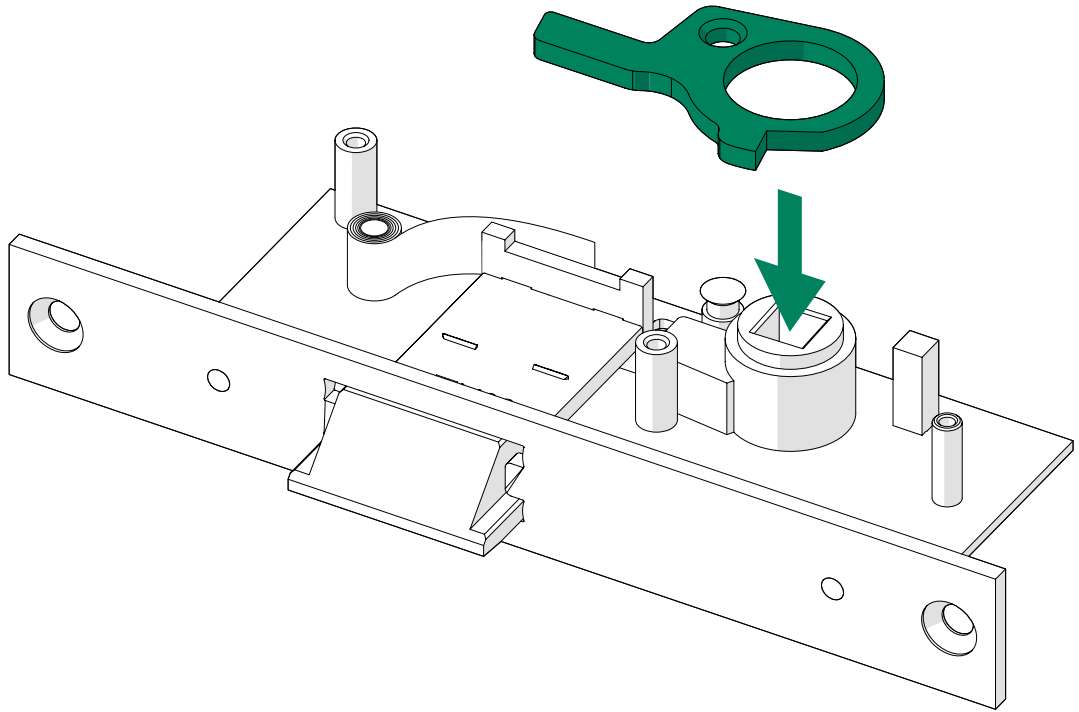
3.



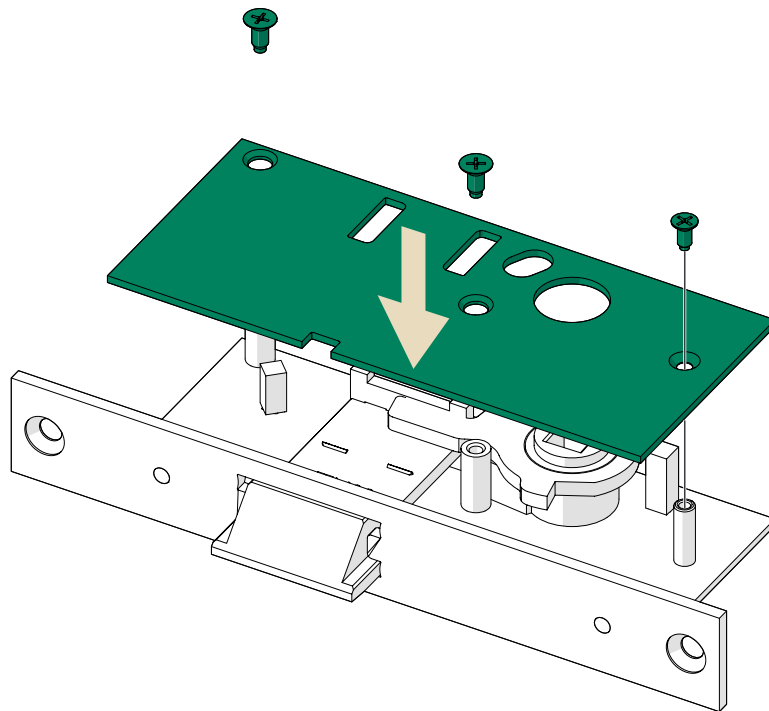
4.



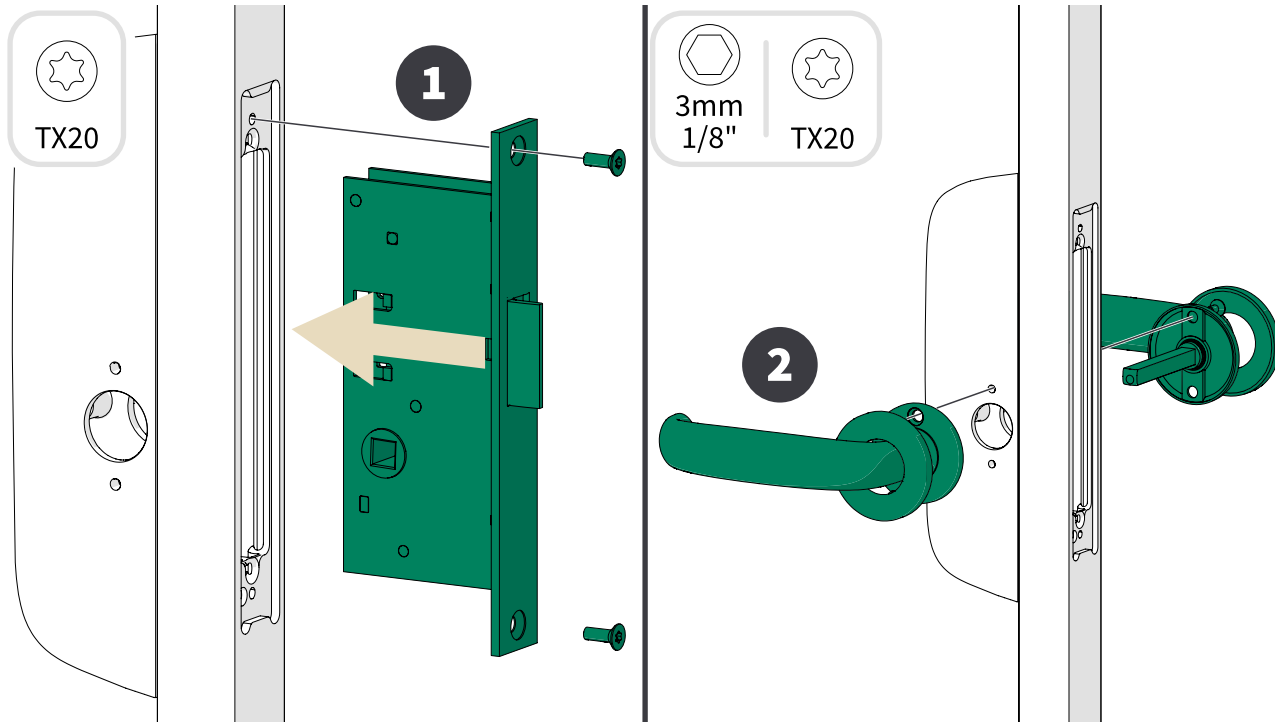
5.



6.



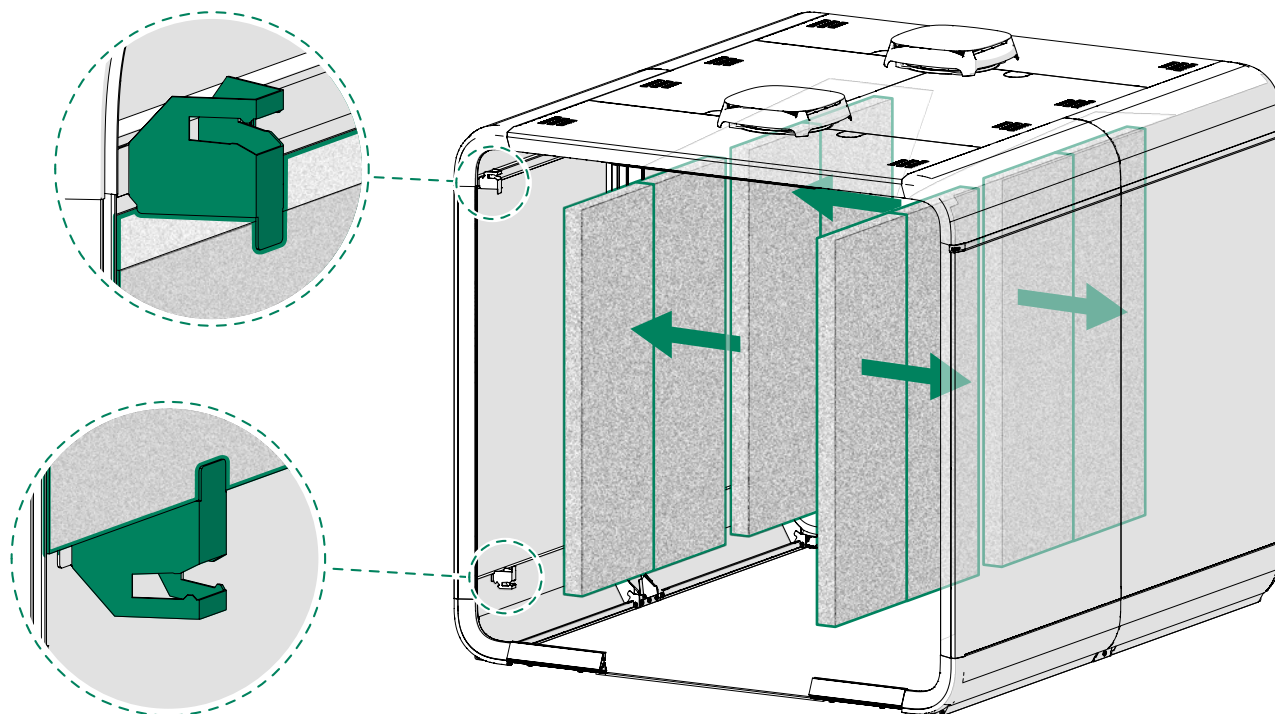
7.



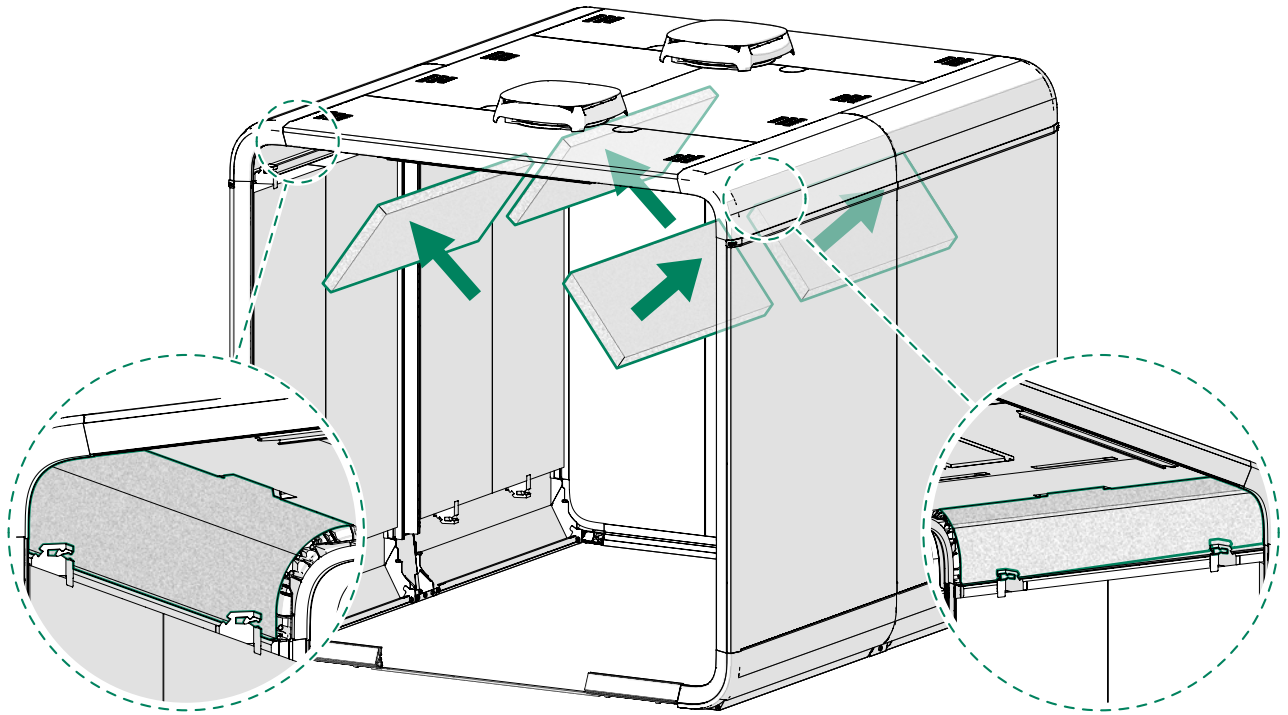
## 5 Interior

### 5.1 Install the wall acoustic panels

- ⚠ **Note:** The acoustic panels are an extremely important part of soundproofing the pod. They are not marked in any way, and they can resemble package cushioning. Do not throw the panels away.



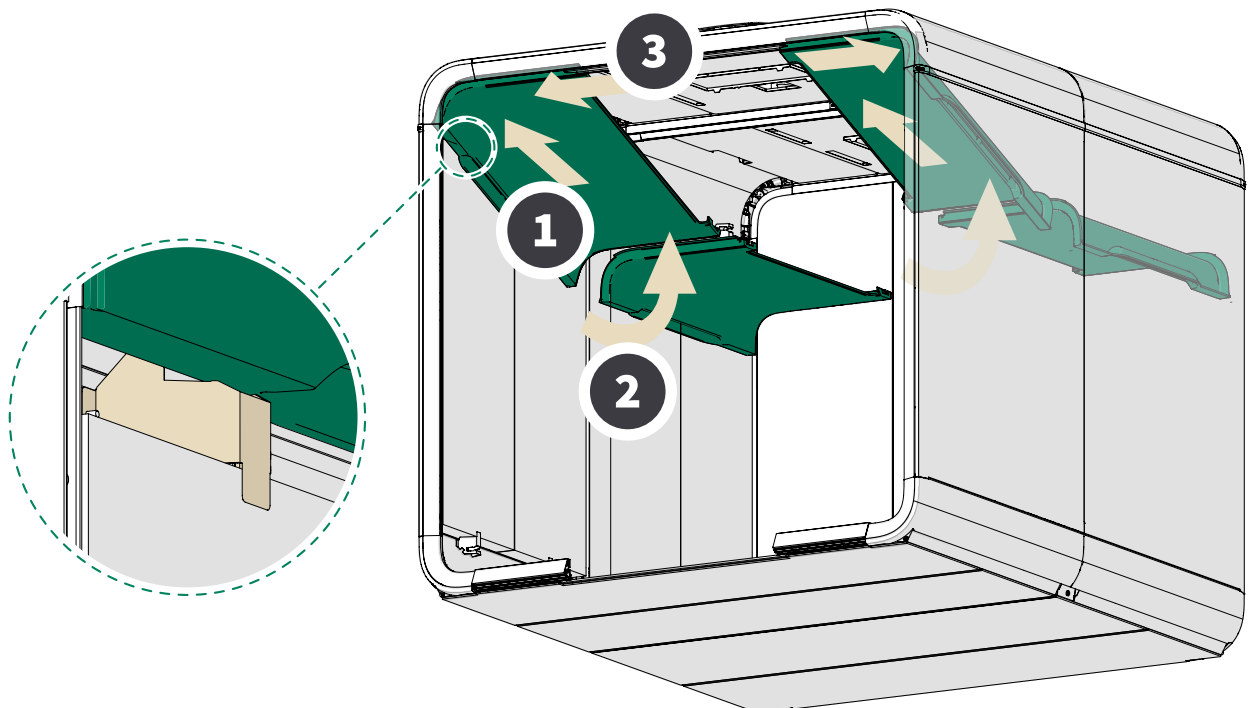
### 5.2 Install the roof acoustic panels



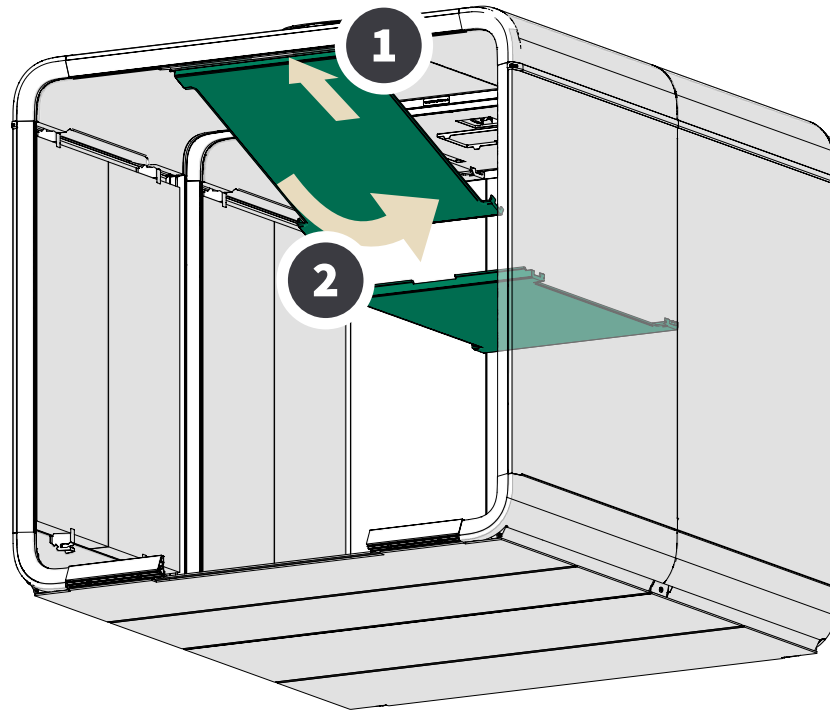
### 5.3 Install the ceiling interior panels

- ⓘ **Note:** Ensure the quality of the installation of the interior panels. If necessary, move the panels slightly to make sure that:
  - The interior panels are centered/aligned with each other.
  - The seam edges/surfaces between the interior panels are in contact and aligned.
  - The panel flanges are in the frame grooves.
- ⓘ **Note:** Minimize the gap between the frame pipes and interior panels. Make sure that the interior panels connect seamlessly to the body of the pod.

1.



2.

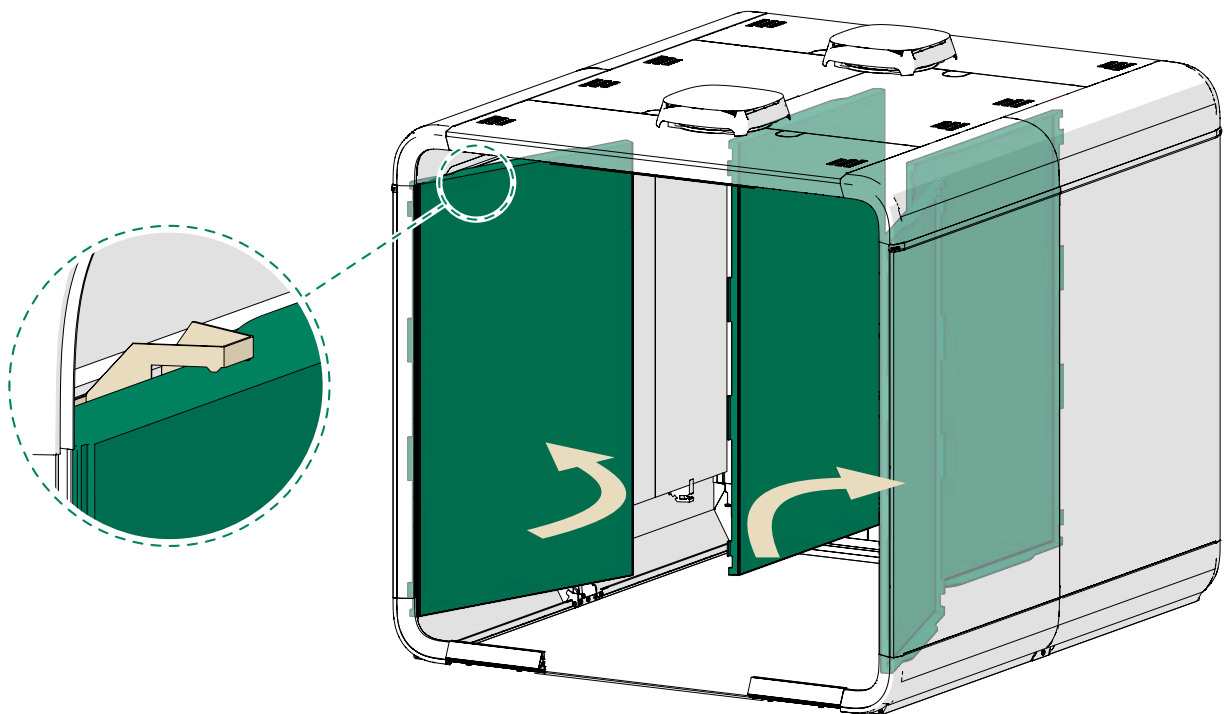


### 5.4 Install the wall and middle interior panels

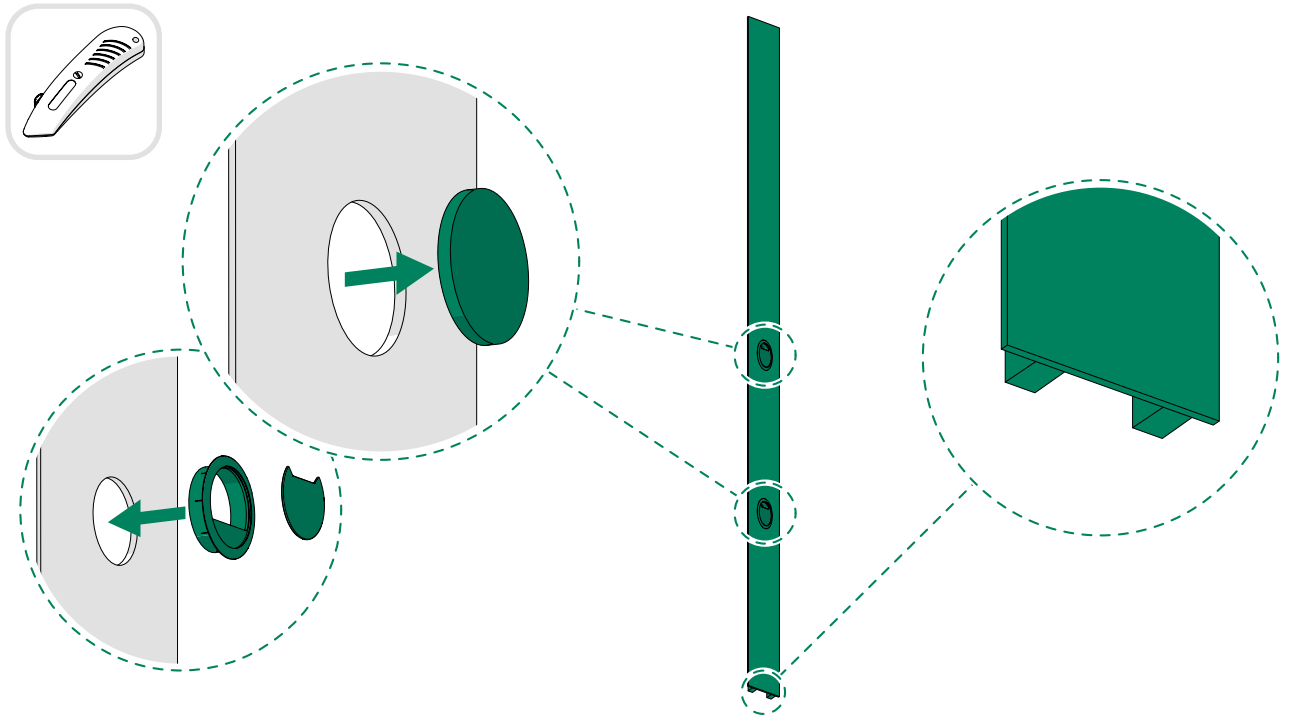
1.



**Note:** If the universal brackets have been installed, insert the wall panels to that side first.



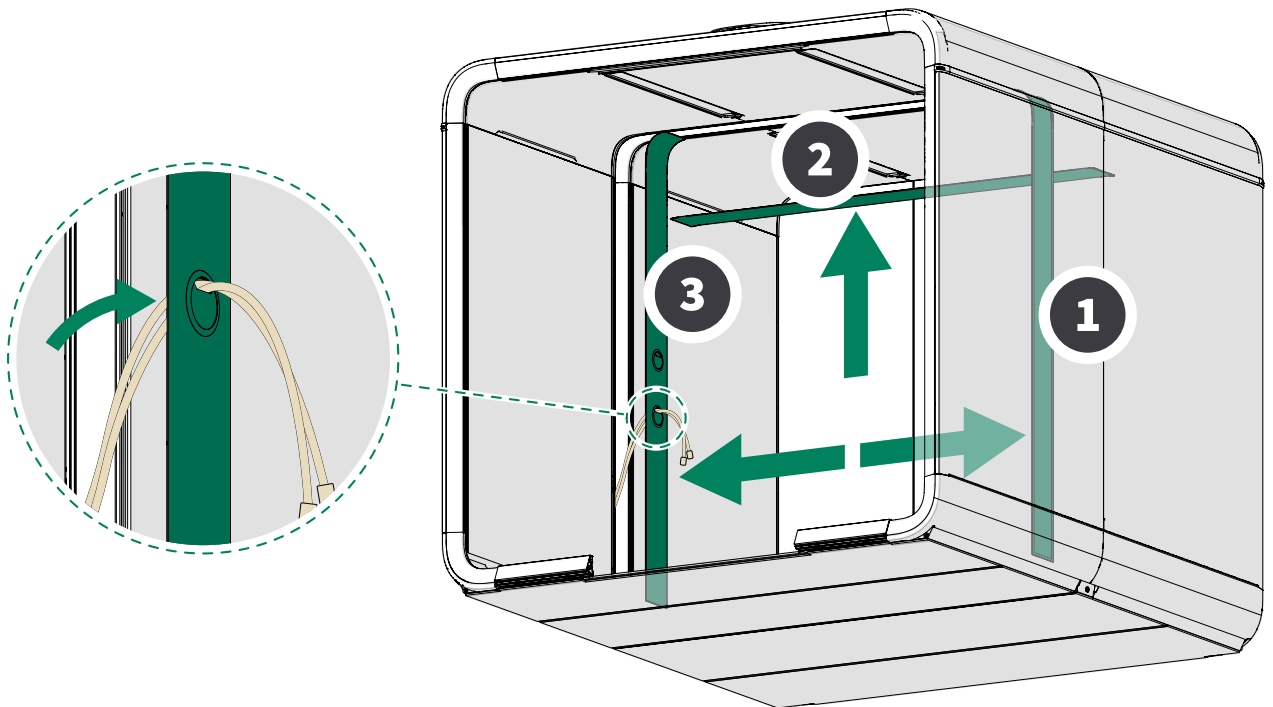
2.



3.

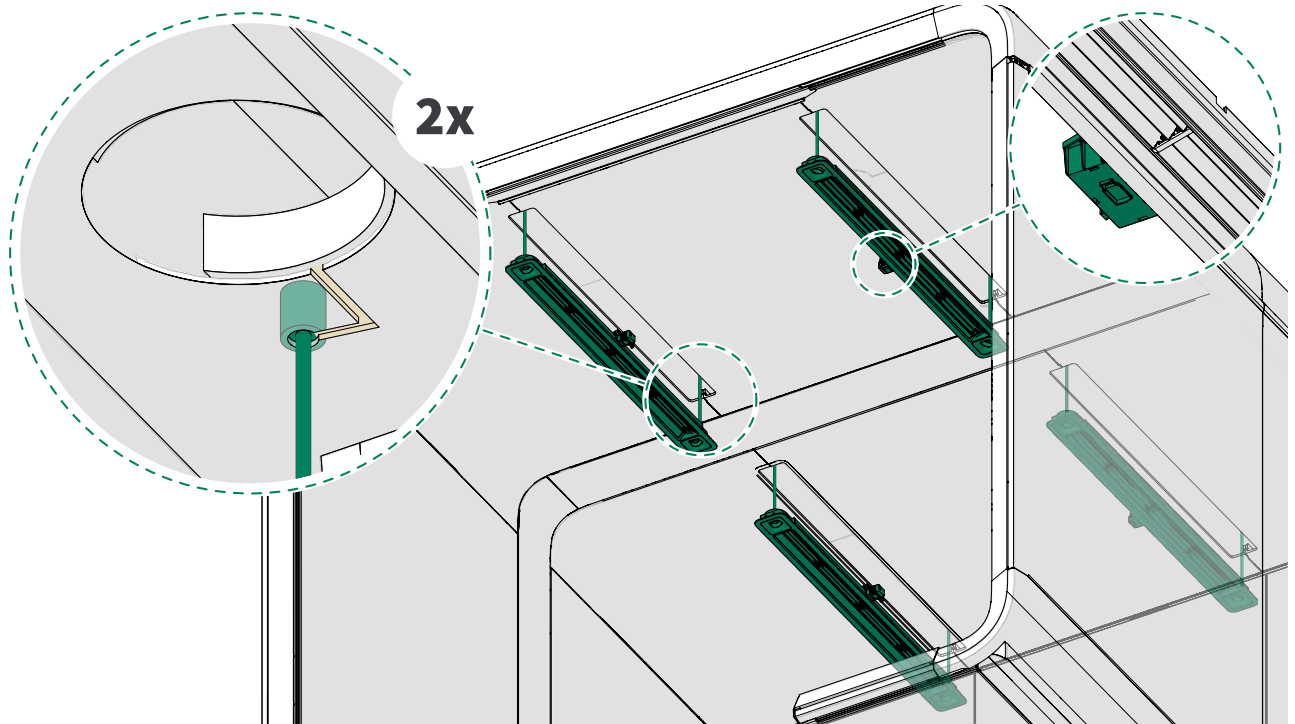


**Note:** Guide the HDMI and GST cable through the lower opening in the middle interior panel.

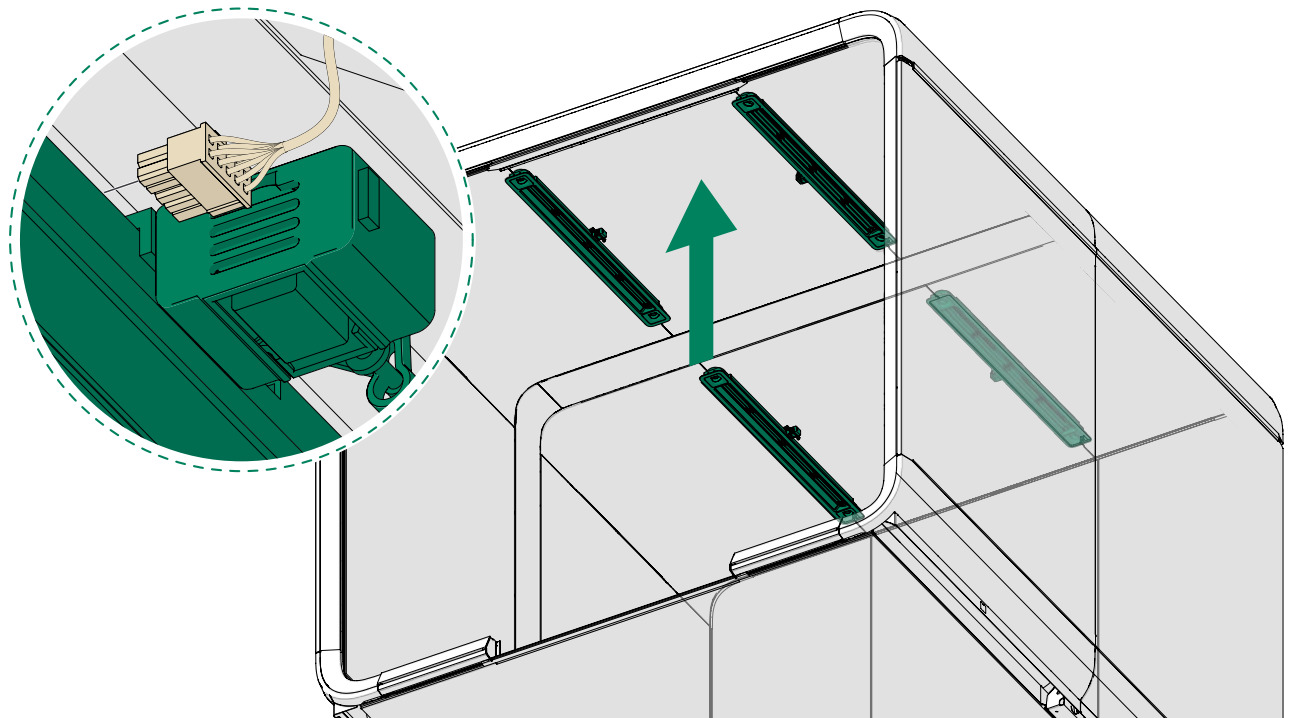


## 5.5 Install the lights

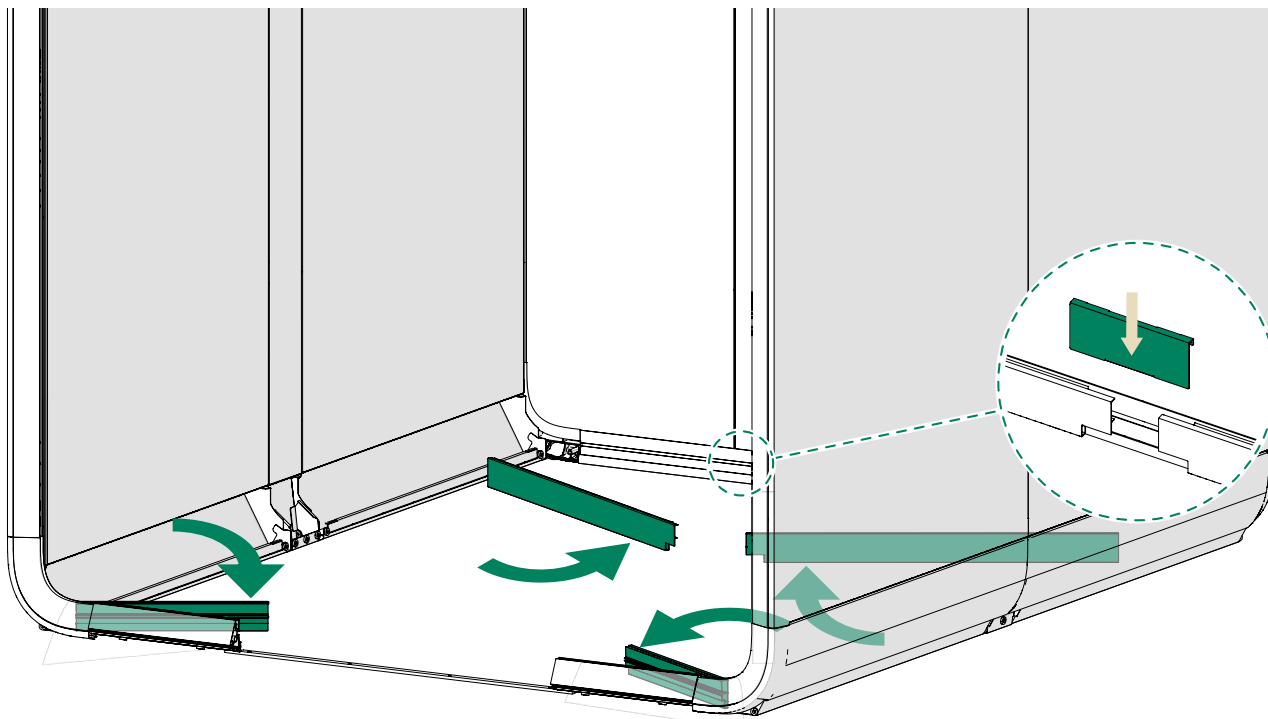
1.



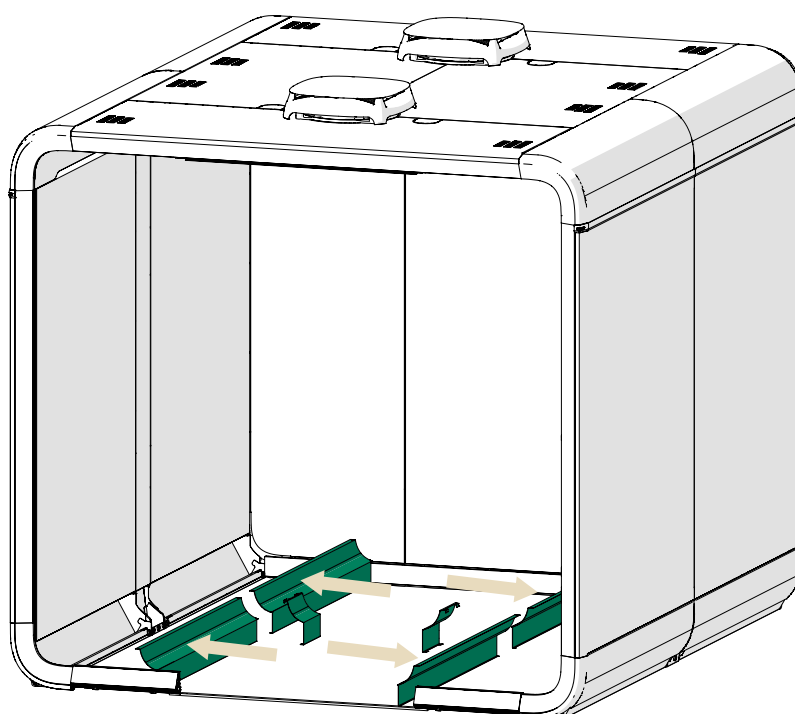
2.



## 5.6 Install the cable channels



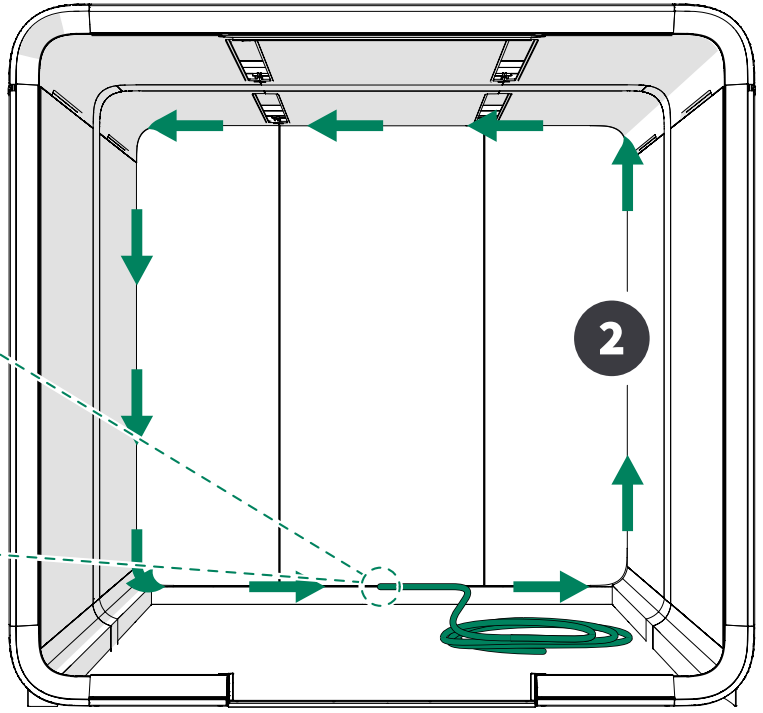
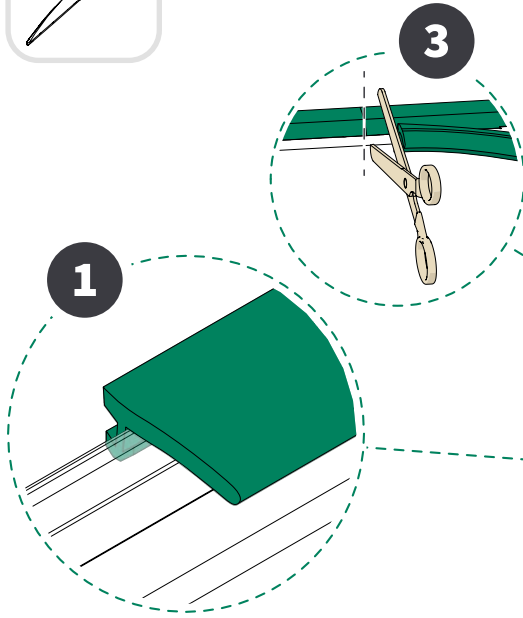
### 5.7 Install the kickboards



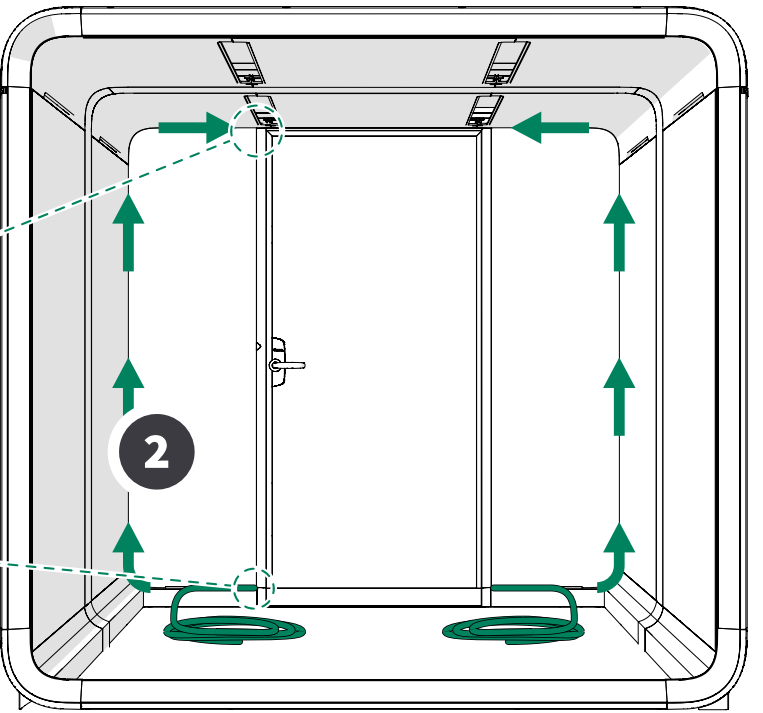
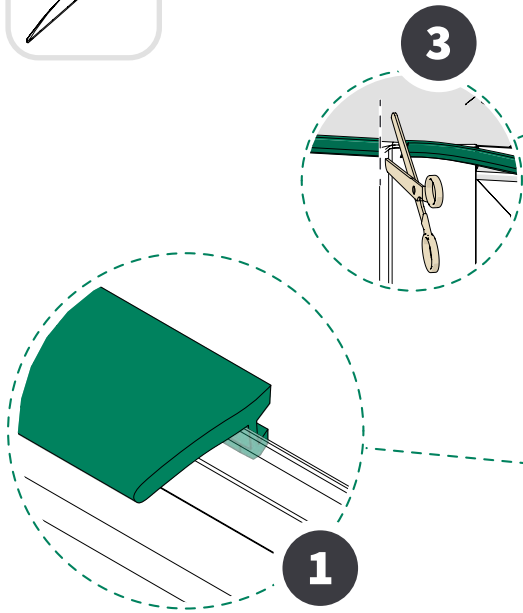
### 5.8 Install the gaskets

- ⚠ **Note:** Do not stretch the gasket during installation. If you stretch the gasket, it is likely to come loose at some point. This results in reduced soundproofing of the pod.
- ⚠ **Note:** Inspect the gaskets visually after installation to make sure they are properly in place. The surface must be even with no bumps or gaps between the gasket and the glass or interior panels.

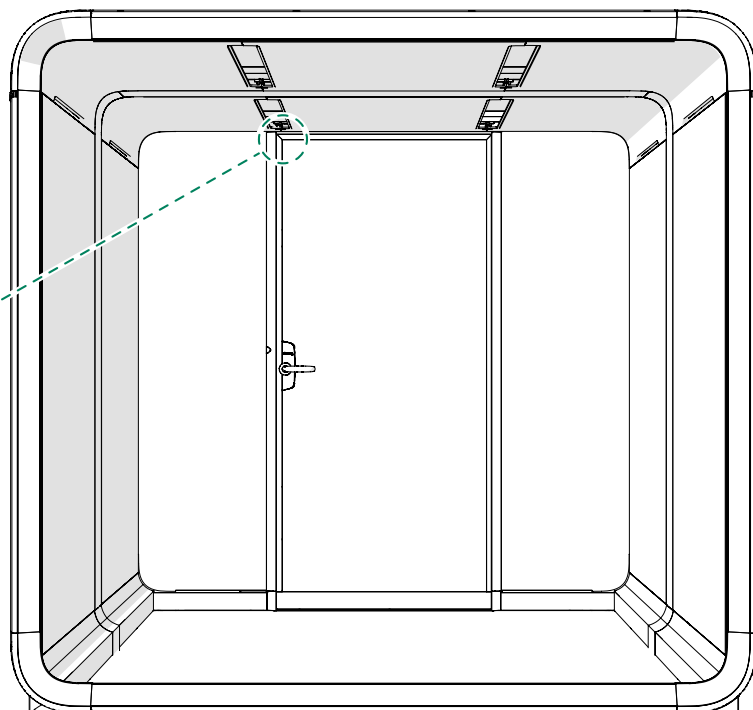
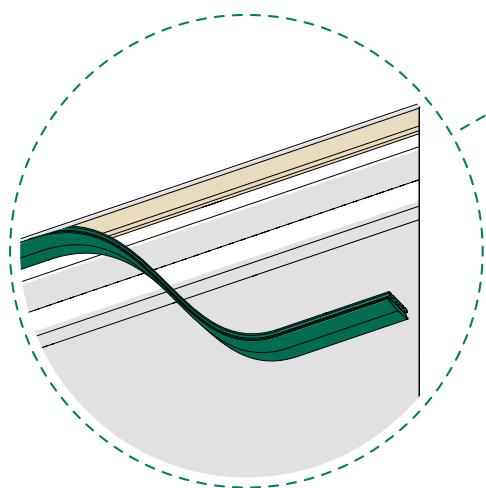
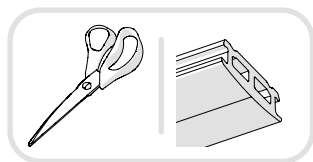
1.



2.

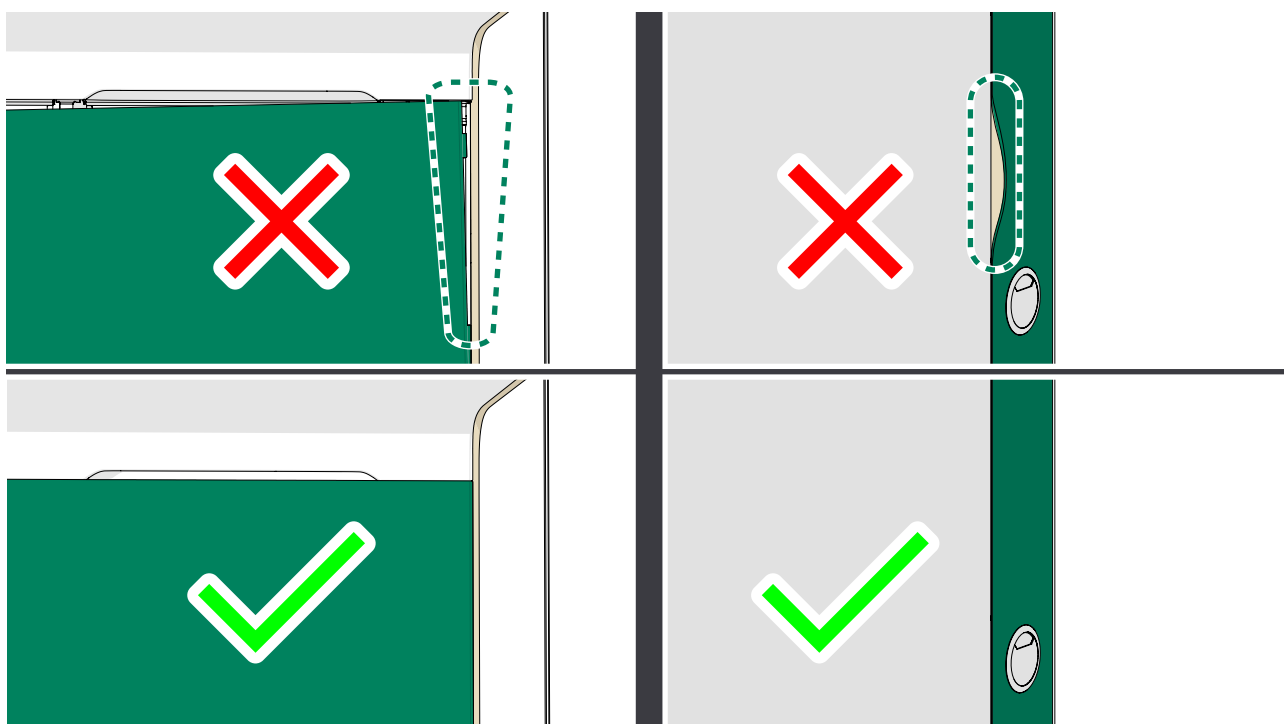


3.



### 5.8.1 Check the alignment of the interior panels

1. Make sure that there are no gaps between the interior panels and the frame.

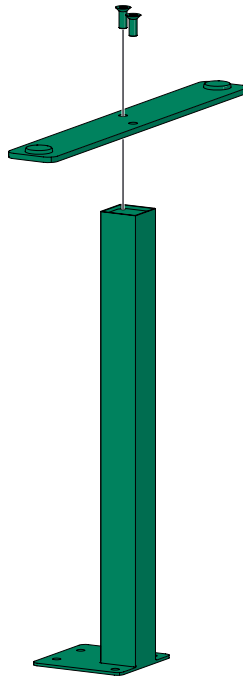
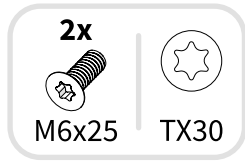


2. Check that the space between the edge of an interior panel and the frame is equal at the top and bottom. Panels should be installed straight and even. Adjust the position of the panels if needed.

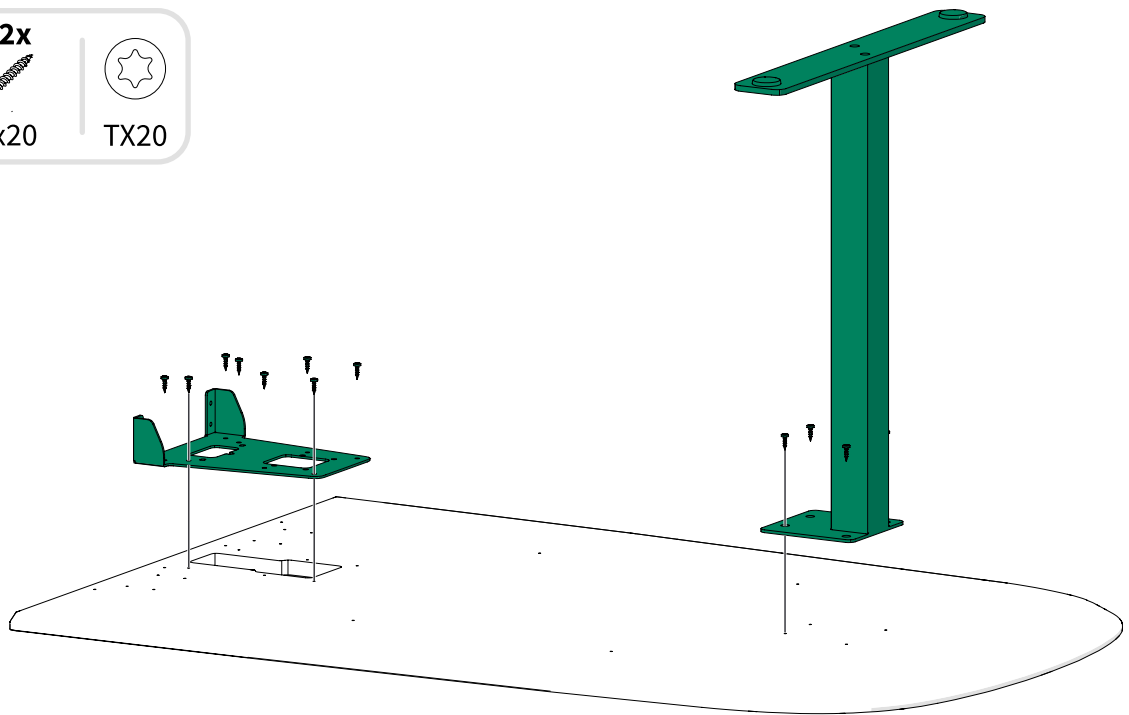
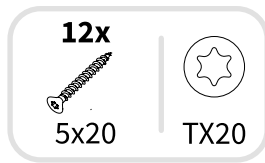
### 5.9 Install the table

# Framery Six

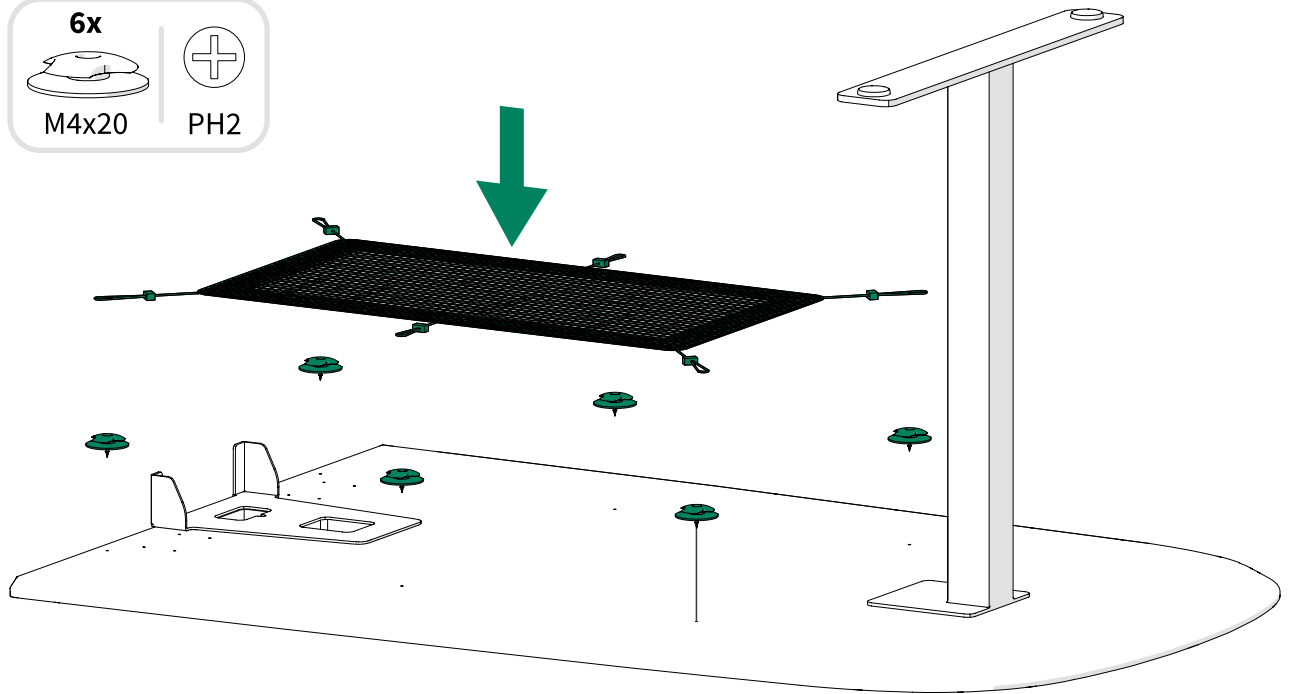
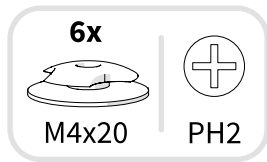
1.



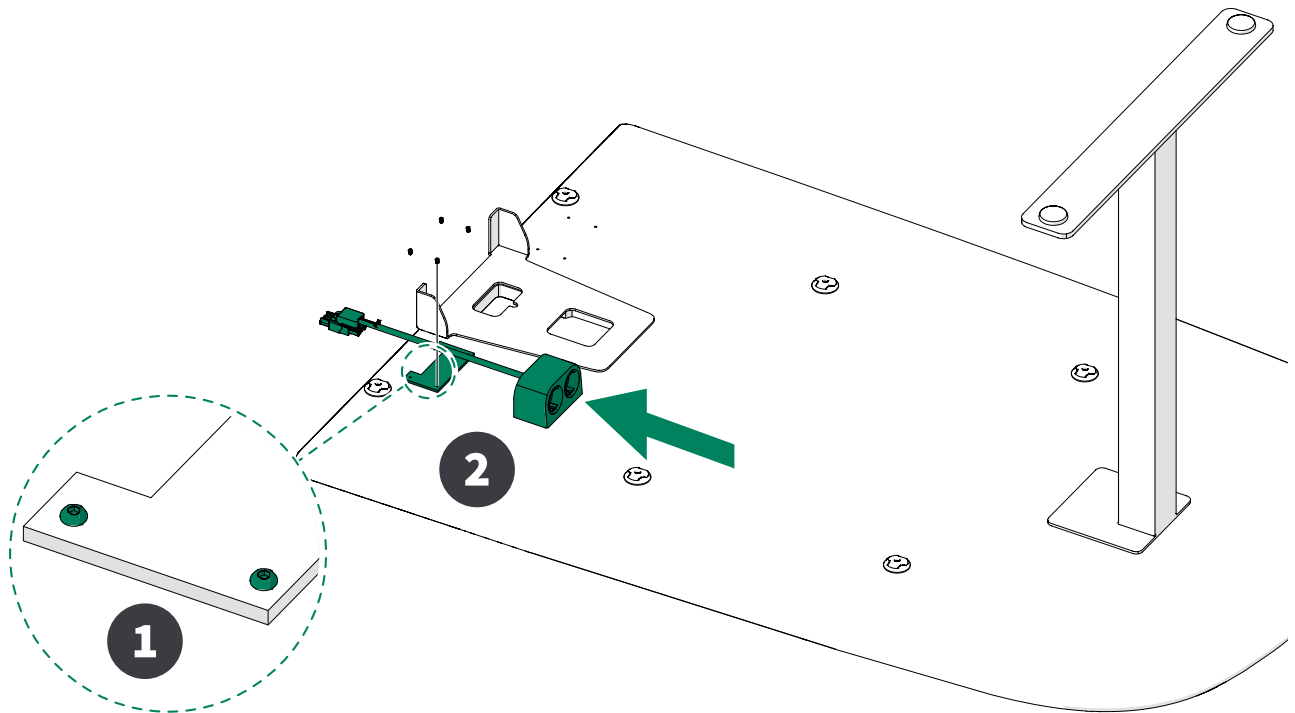
2.



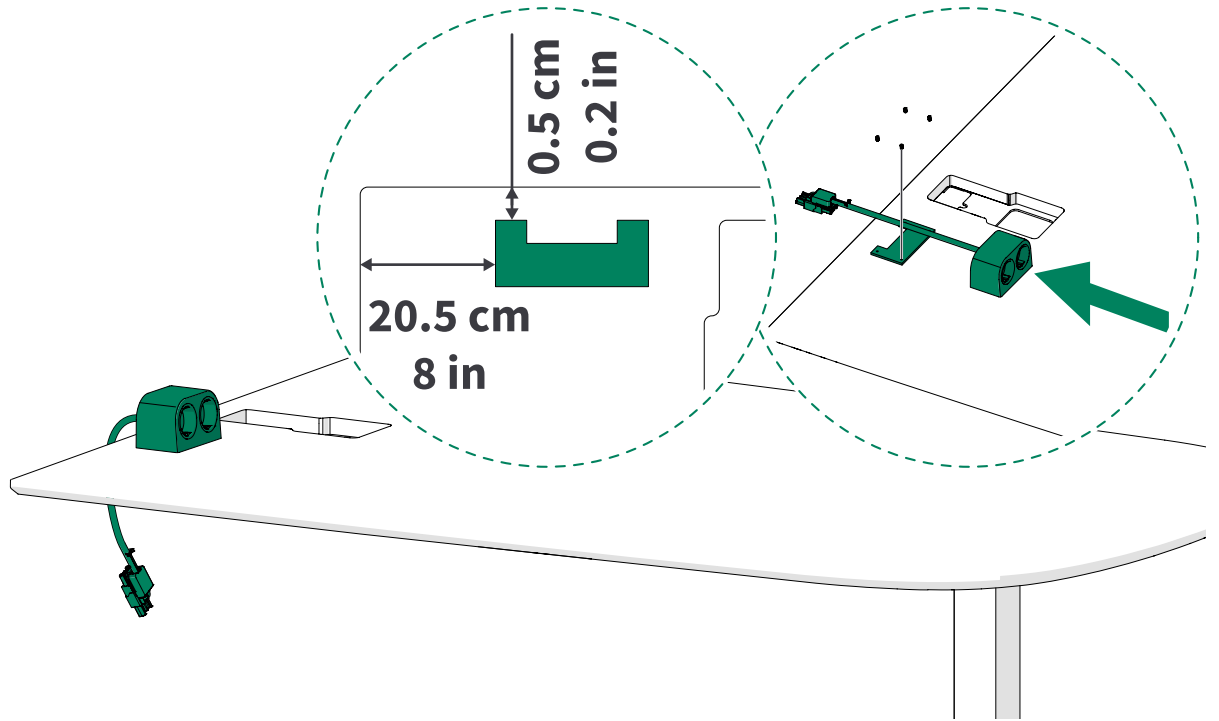
3.



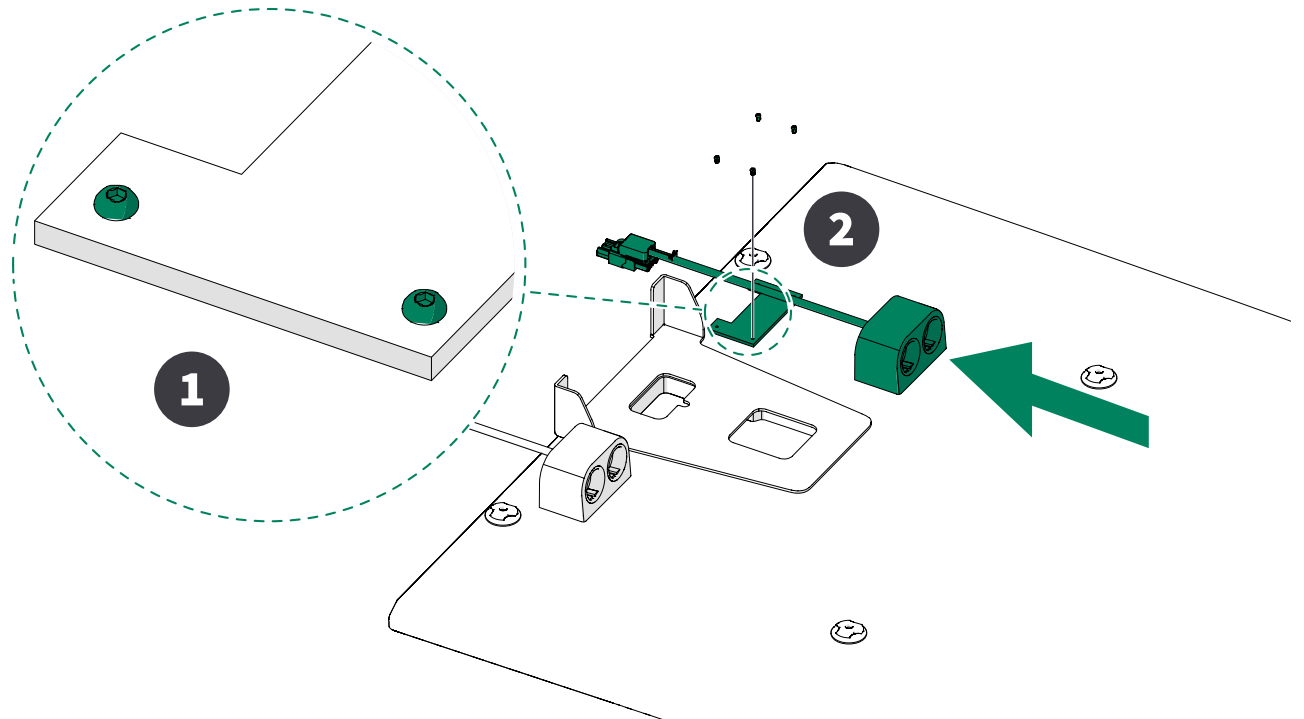
4.



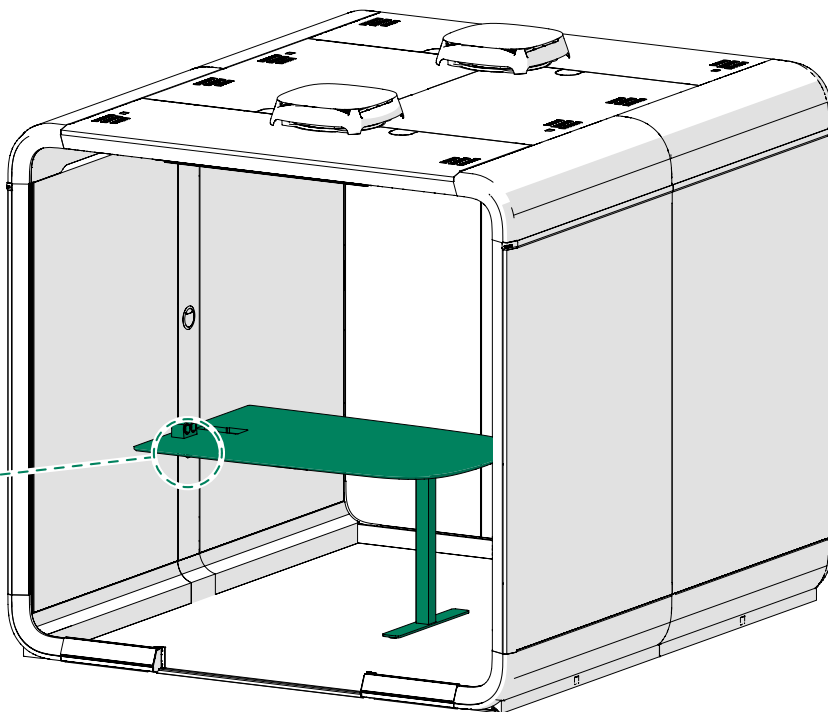
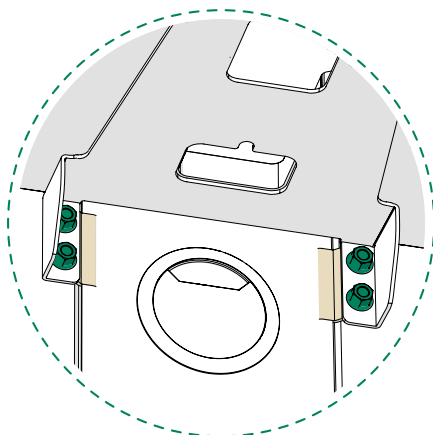
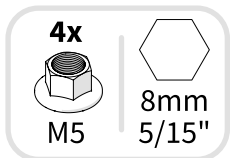
5.



6. The extra two power outlets are optional.



7.

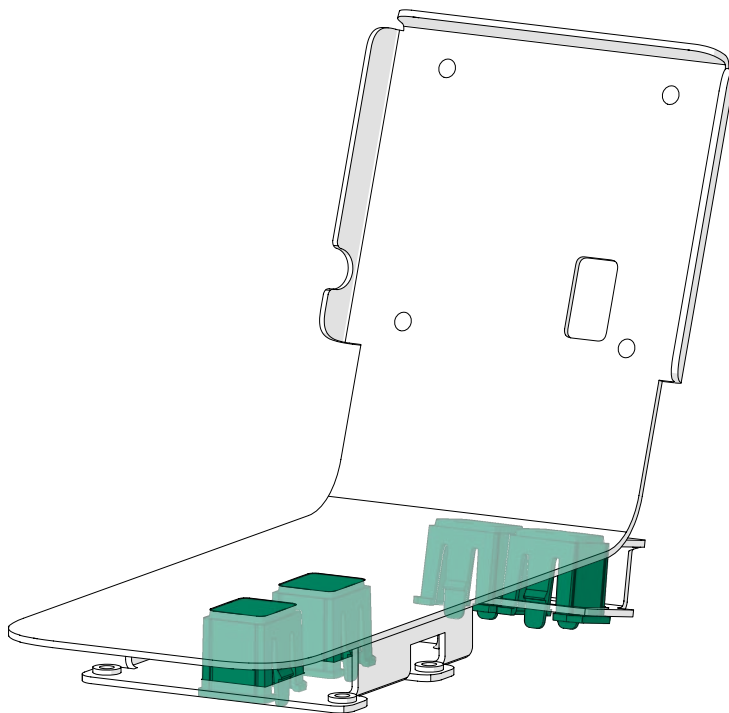
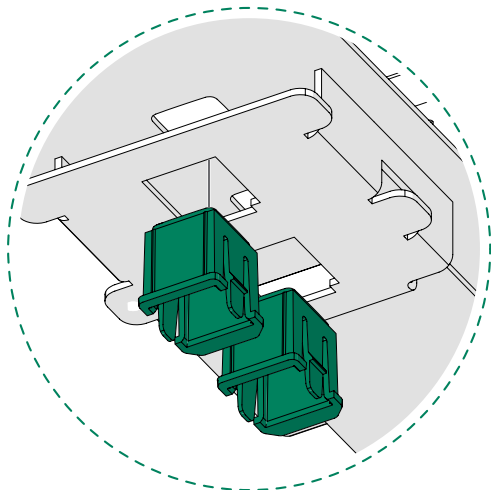
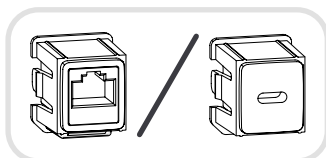


### 5.10 Install the touchscreen holder and touchscreen

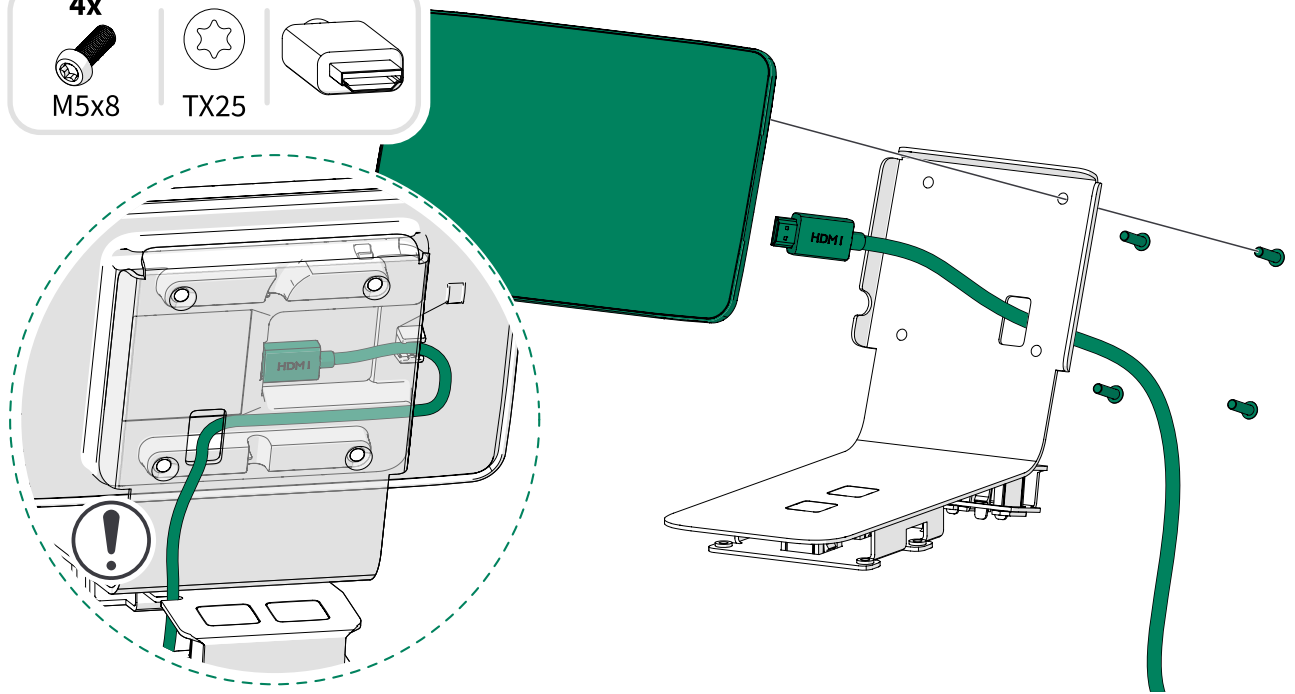
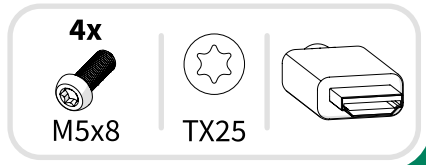
1.



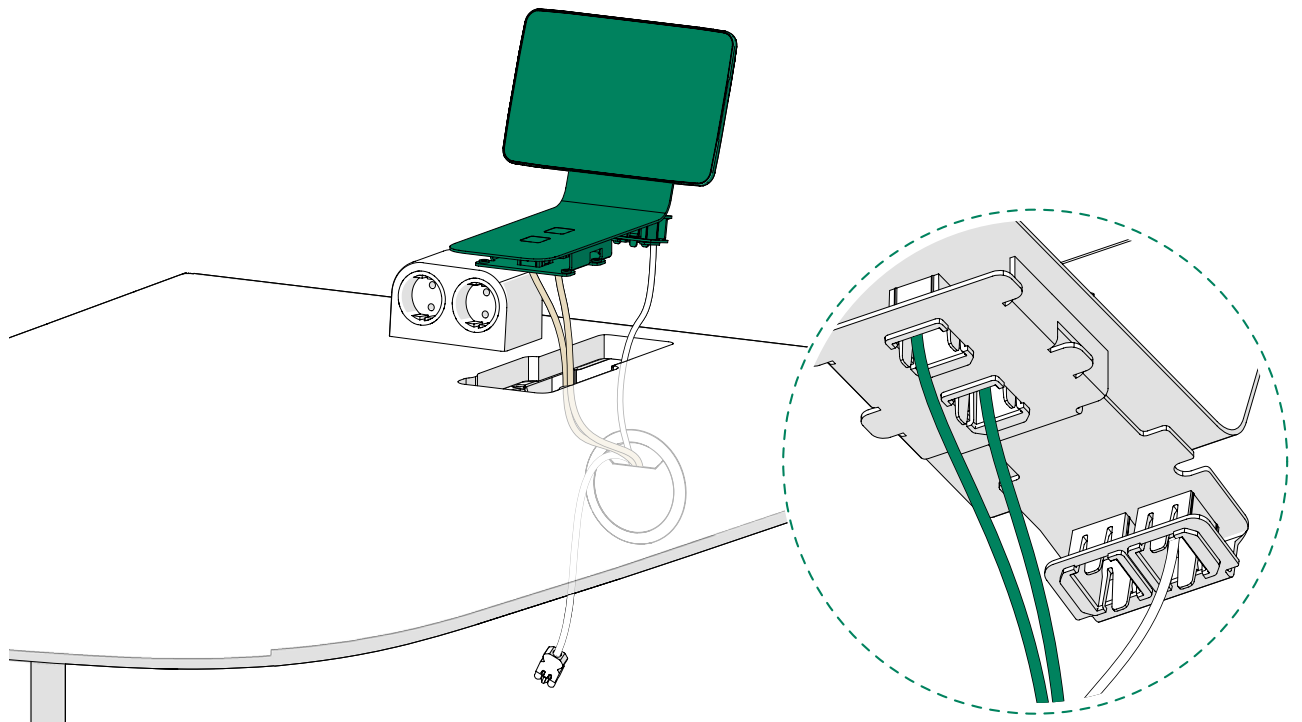
**Note:** When optional connectivity keystones (HDMI, LAN, USB-C) are not included in the delivery, use blank plugs instead.



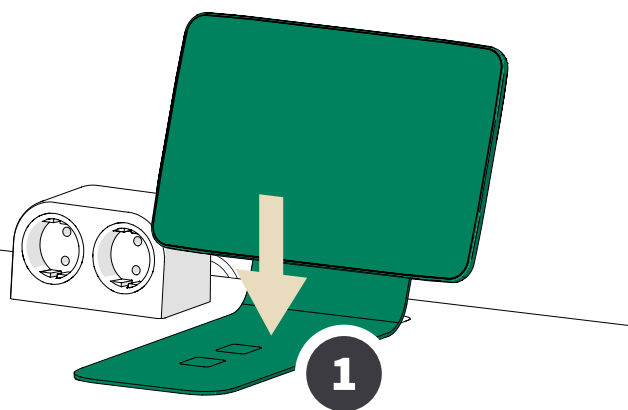
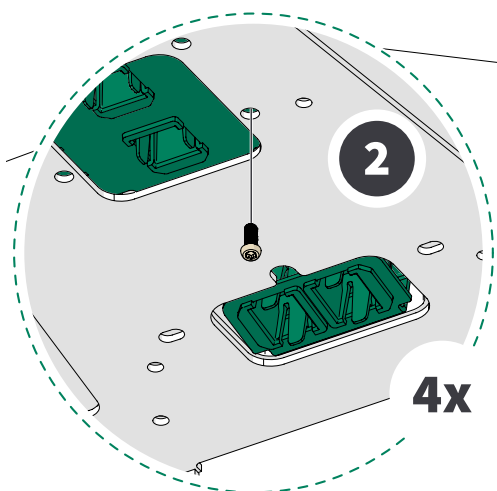
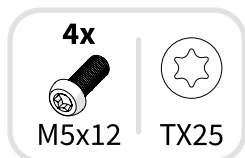
2.



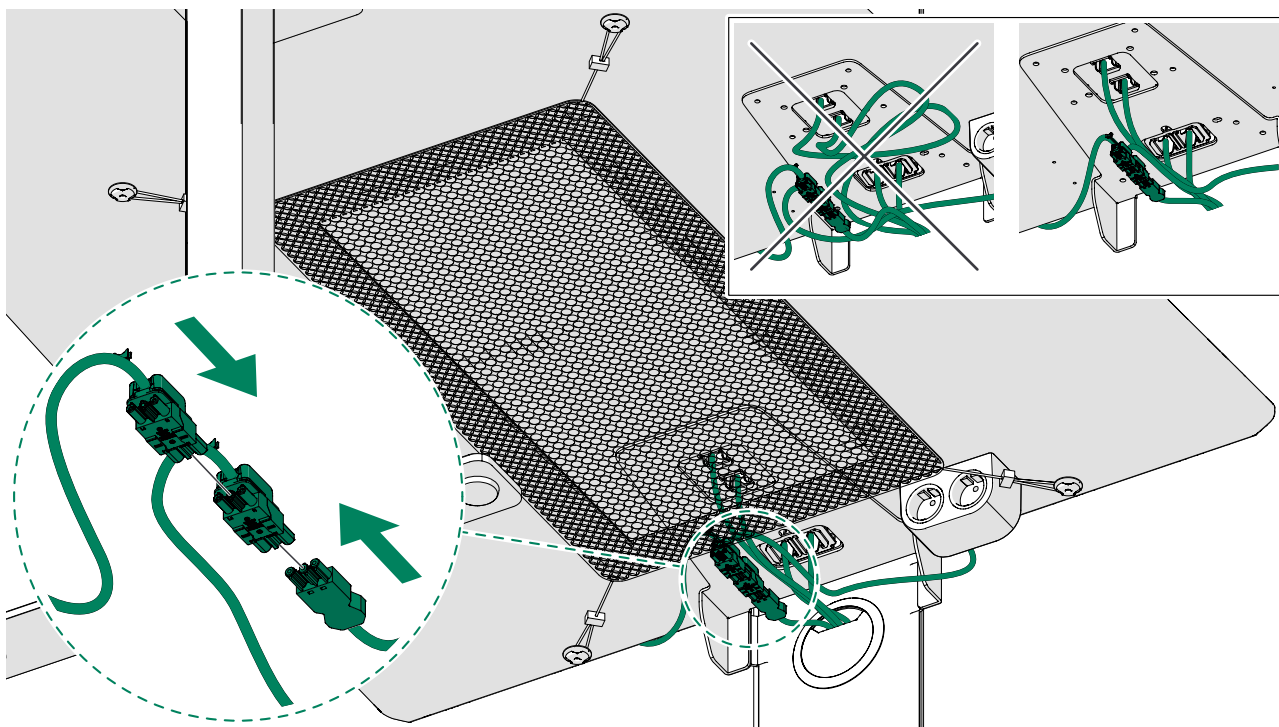
3.



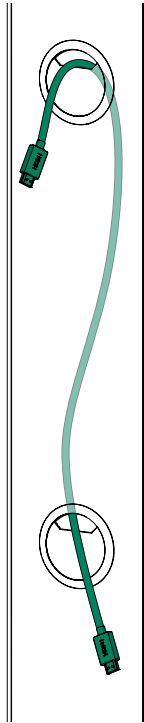
4.



5.

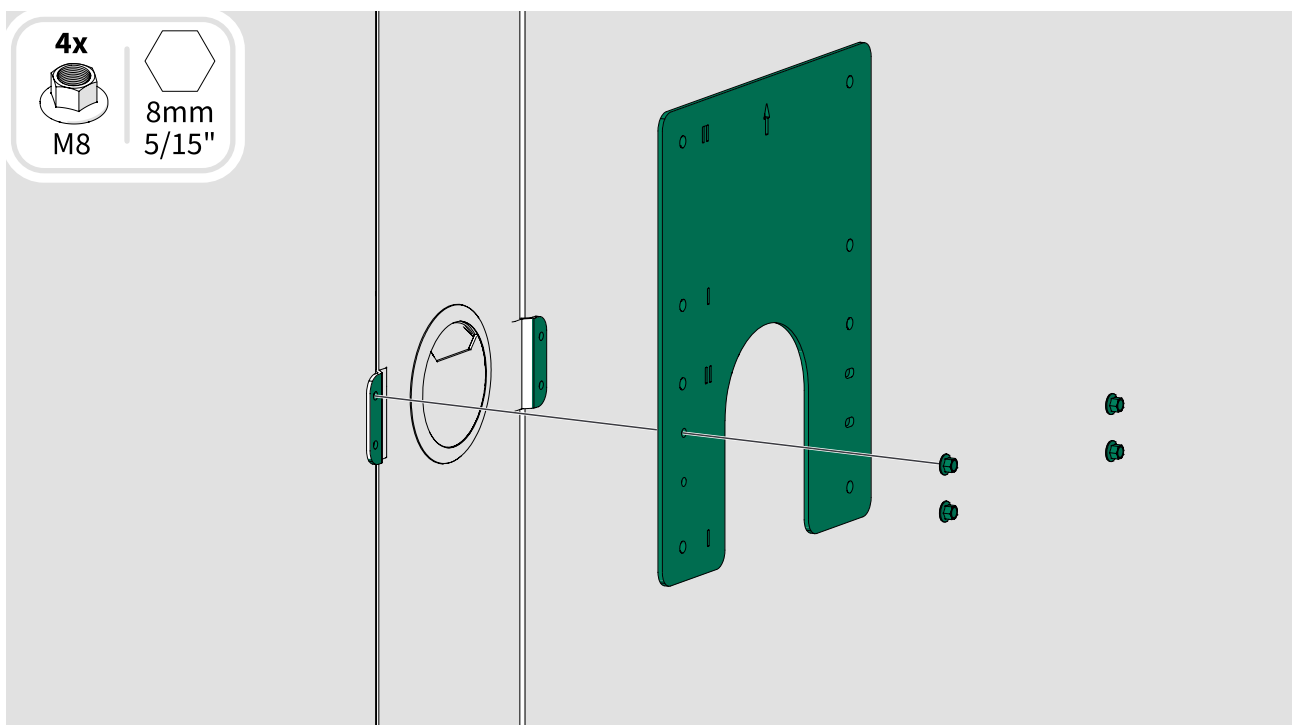


6. Optional: Install the HDMI cable.



5.11 Install the monitor wall mount

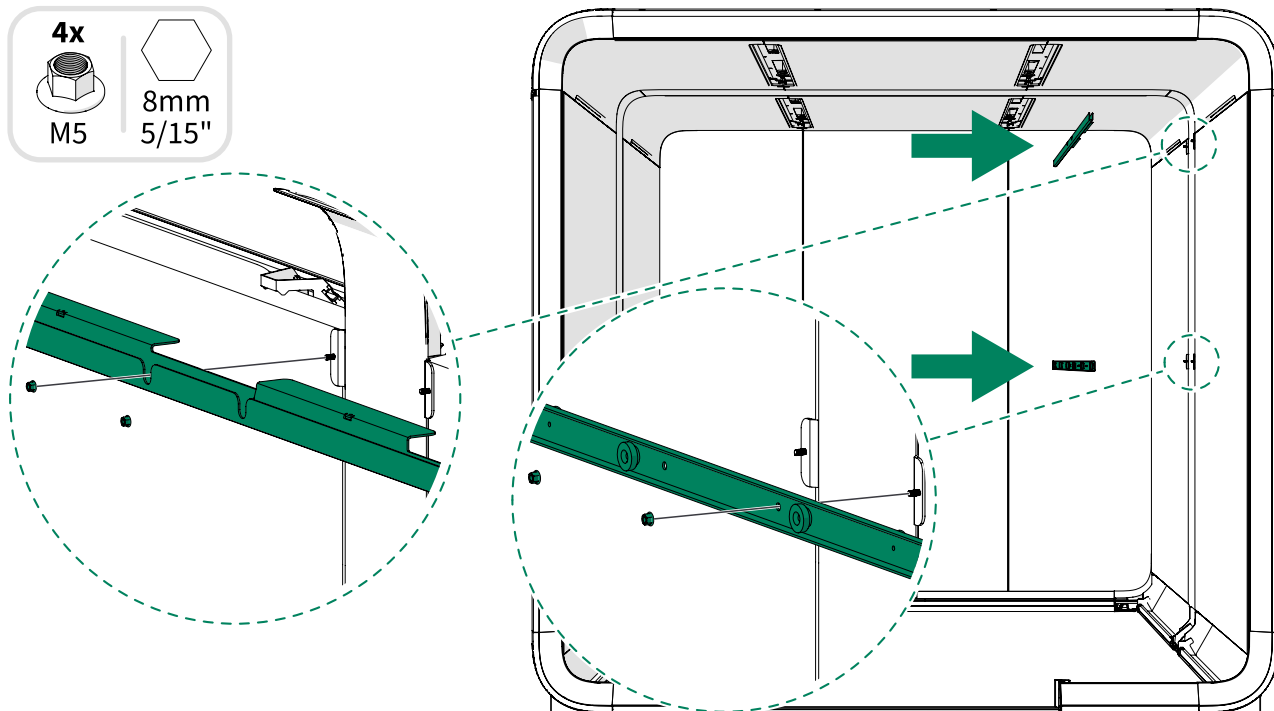
- ⓘ **Note:** When you have completed the pod installation, remember to leave the package and installation instructions of the monitor wall mount inside the pod. The customer uses the wall mount to install a display to the pod.
- ⓘ **Note:** Make sure that the installation brackets are installed to the correct height. The position of the brackets must match the cutouts on the interior panels.



## 5.12 Install the whiteboard (optional)

### 5.12.1 Install the whiteboard on the inside of the pod

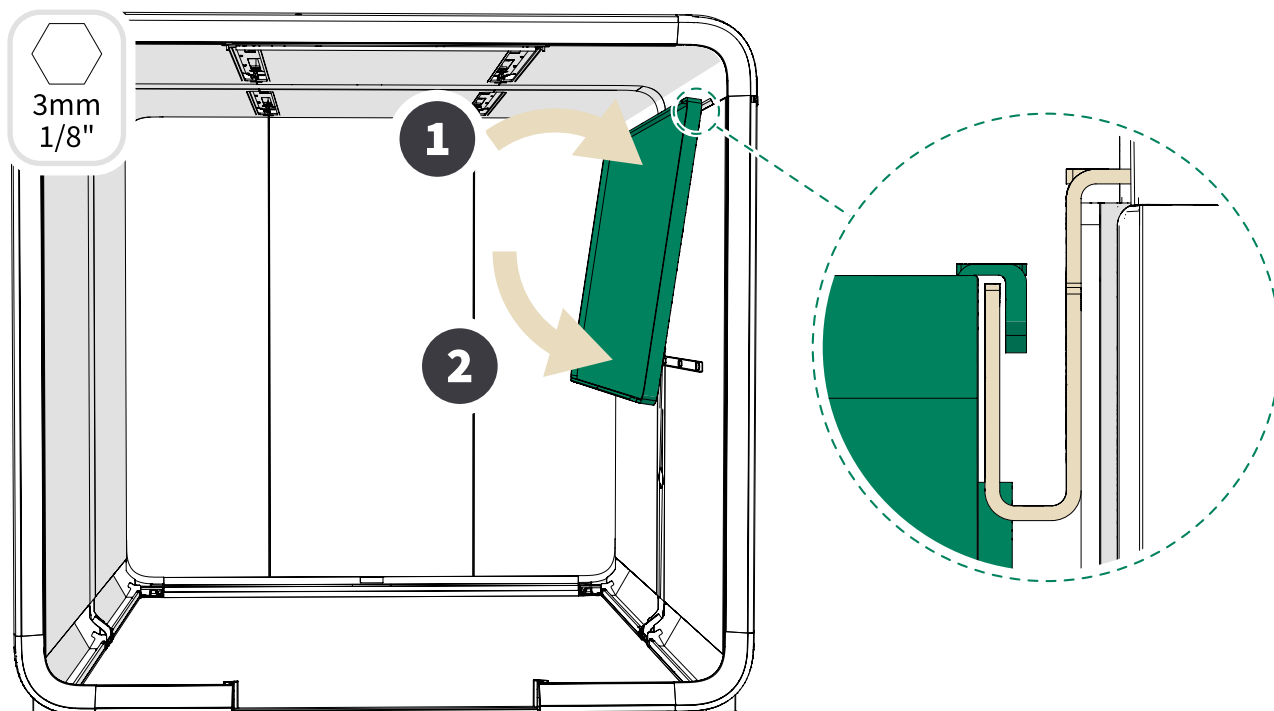
1.



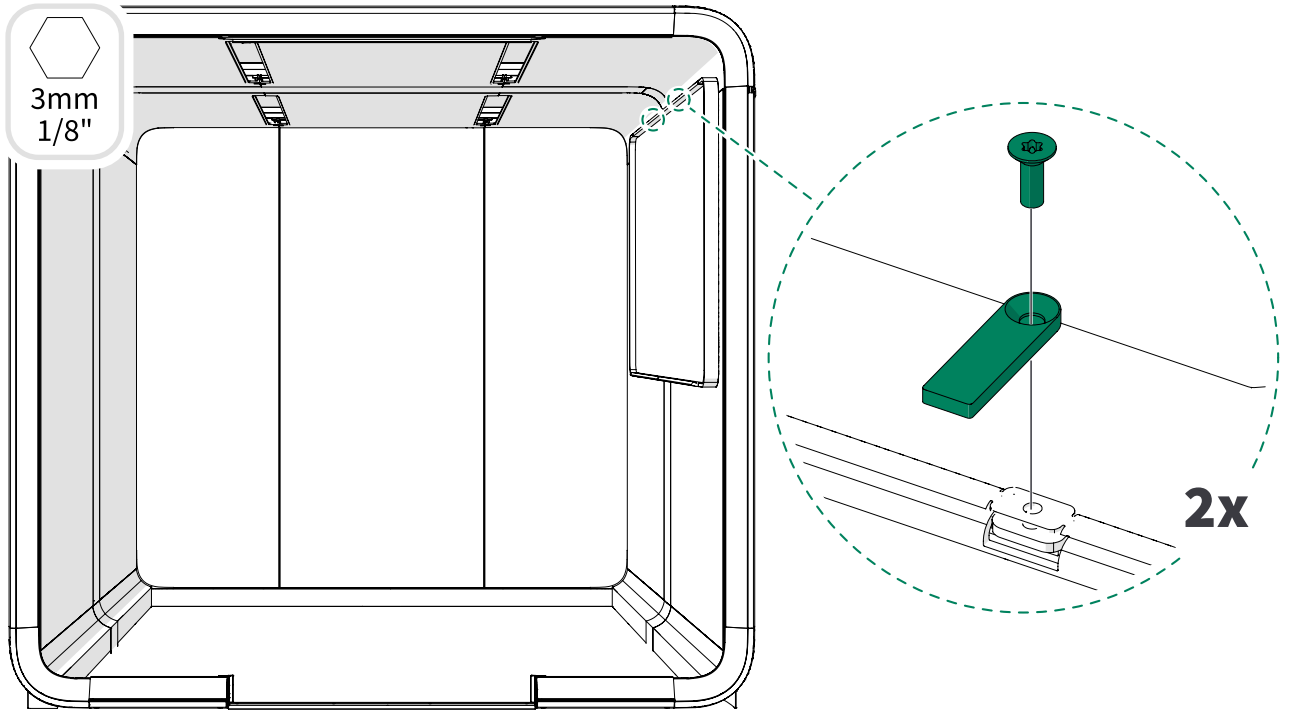
2.



**Note:** Make sure that the whiteboard sits correctly in the upper beam by gently shaking the whiteboard.



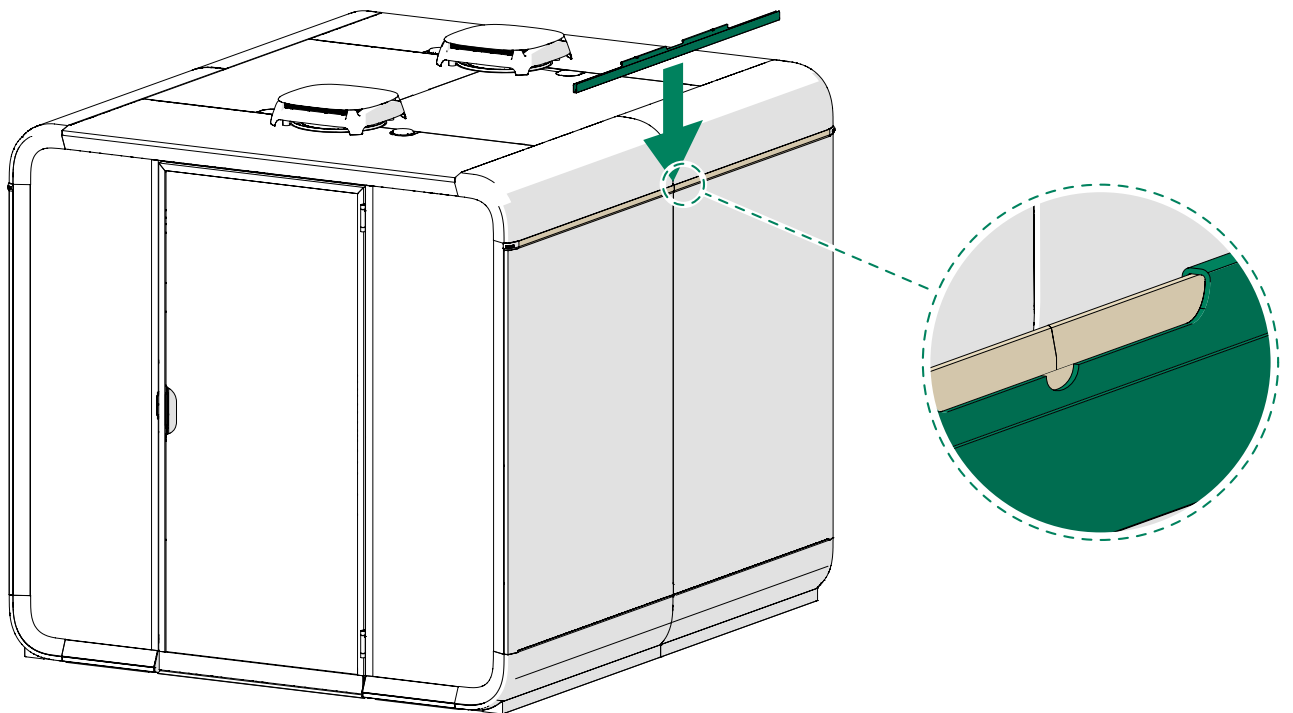
3.



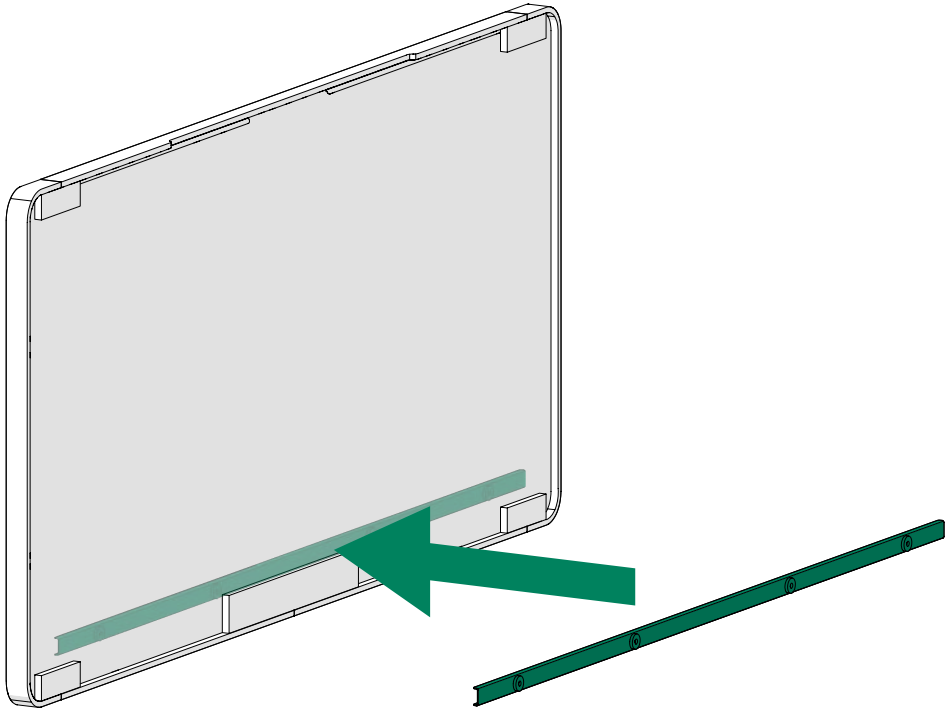
Make sure that the whiteboard is securely in place and that the retention pieces are installed.

### 5.12.2 Install the whiteboard on the outside of the pod

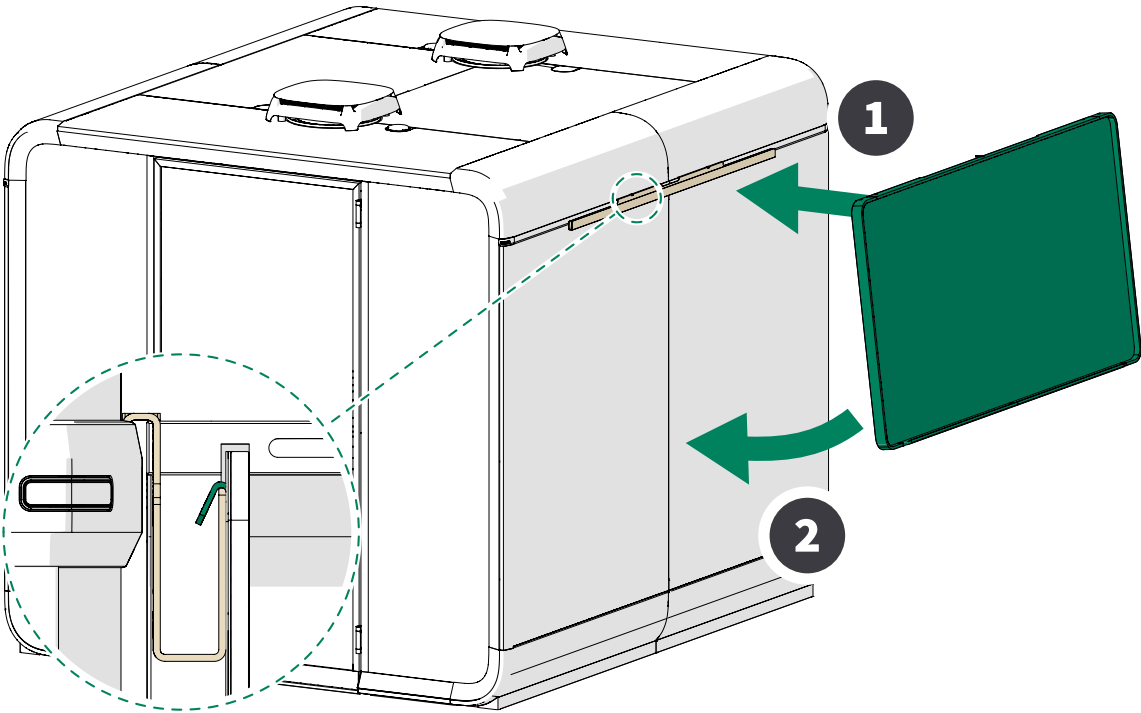
1.



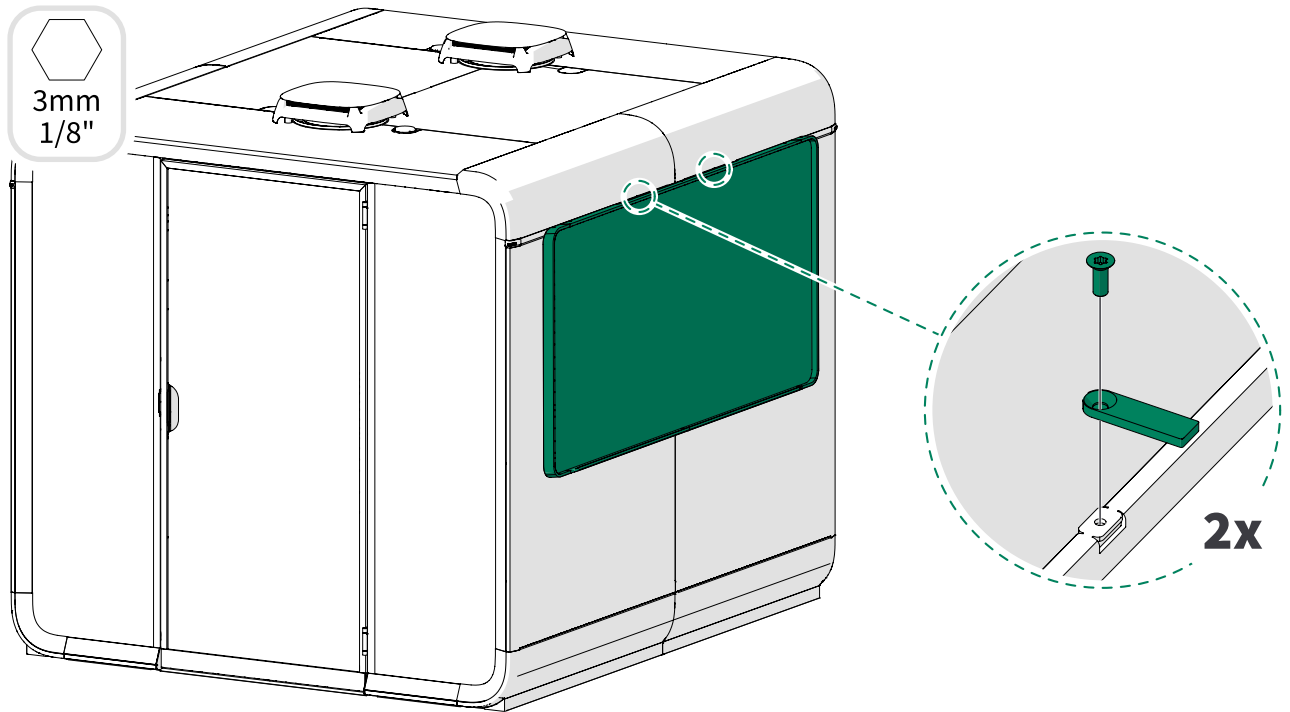
2.



3.

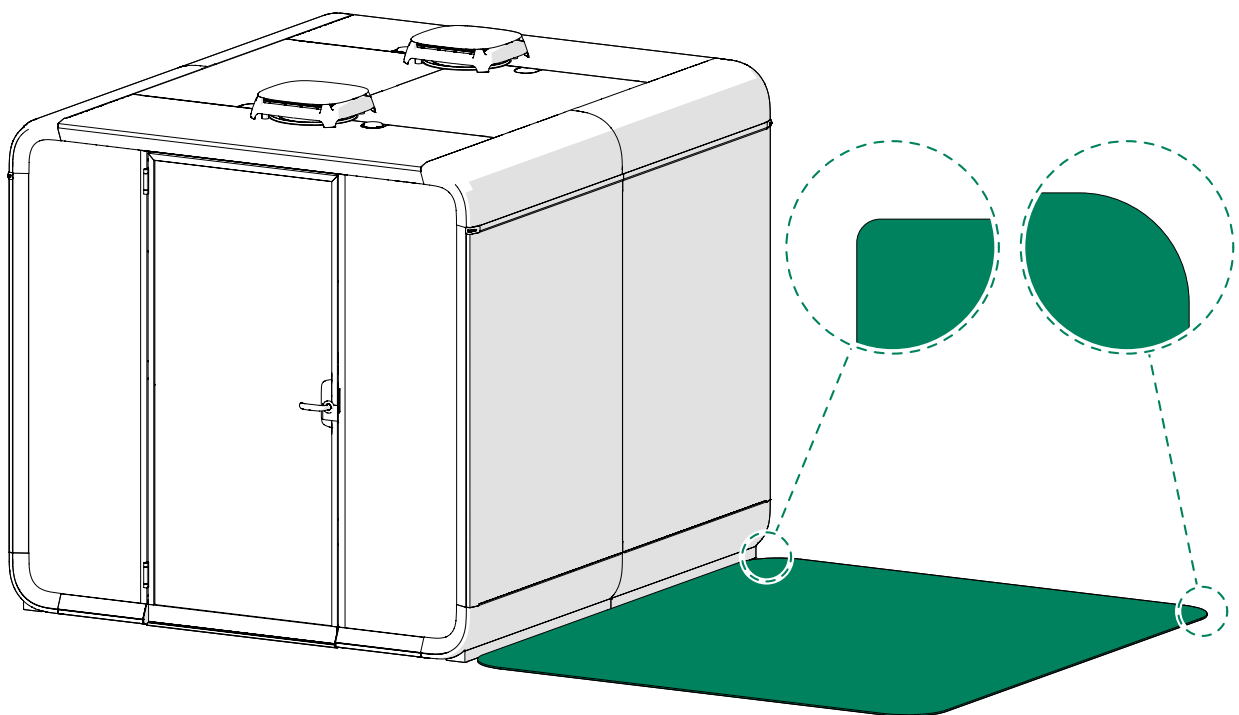


4.



Make sure that the whiteboard is securely in place and that the retention pieces are installed.

### 5.13 Install the exterior carpet (optional)

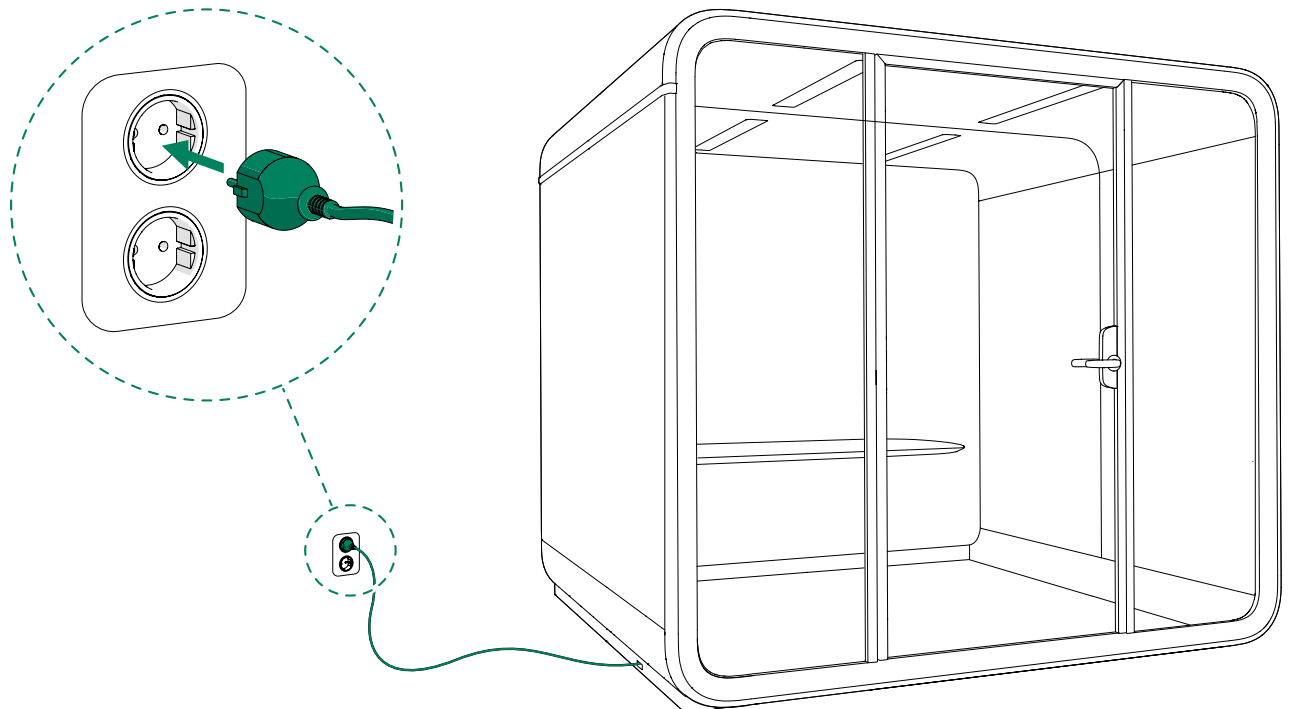


## 6 Finalize the installation


1. Clean the glasses with window cleaner.



2. Connect the pod to a power outlet and connect the LAN cable.




3. Scan the QR code on the touchscreen to open the installation report.



**DO NOT UNPLUG**

## Setup in progress

1. Automatic testing for lights, fans and screen
2. Do not unplug if screen turns off temporarily
3. Fill the installation report on **service.framery.com** or use the QR code
4. Finish setup by selecting pod type

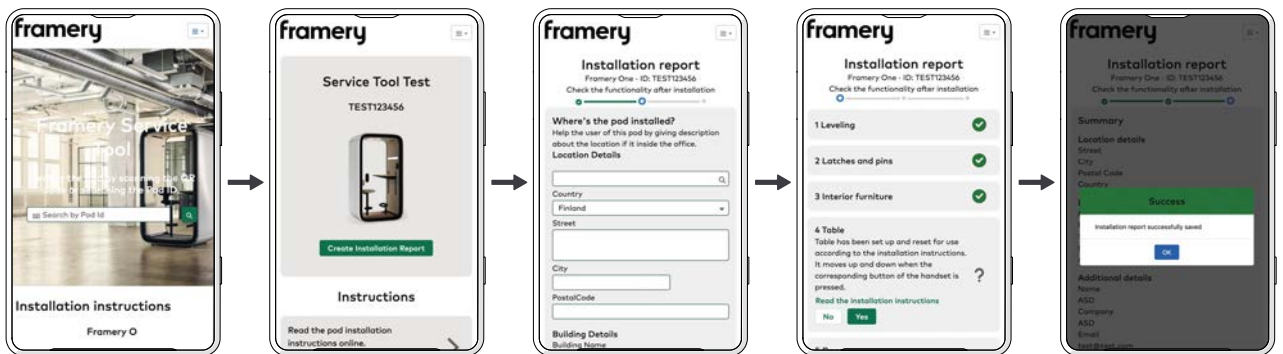


Scan to open [service.framery.com](https://service.framery.com)

POD ID  
**N2A4B**

RUNNING TESTS - APPROX. 10 MIN. 33%

4. Follow the instructions in the Service Tool and fill out the installation report. The pod ID is displayed on the touchscreen during setup.



**framery**

Framery Six  
Installation instructions  
Patamäenkatu 7  
33900 Tampere  
FINLAND  
VAT: FI 23527139