

Framery One monitor wall mount
Installation instructions

English
Version B.1
Tampere, Finland 27.11.2025

Contents

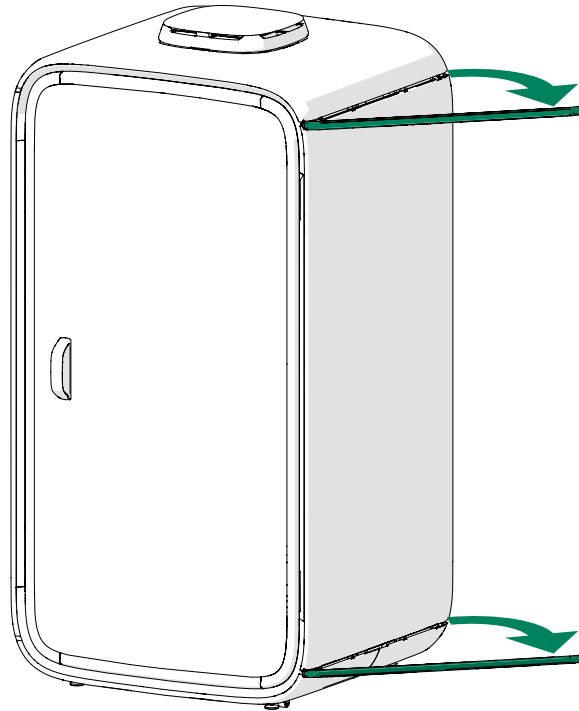
1 Disassemble the necessary parts.....	3
2 Cut the hole for the wall mount bracket.....	6
3 Install the wall mount bracket.....	7
4 Install the monitor.....	14
5 Set a new highest position for the height-adjustable table.....	15

1 Disassemble the necessary parts

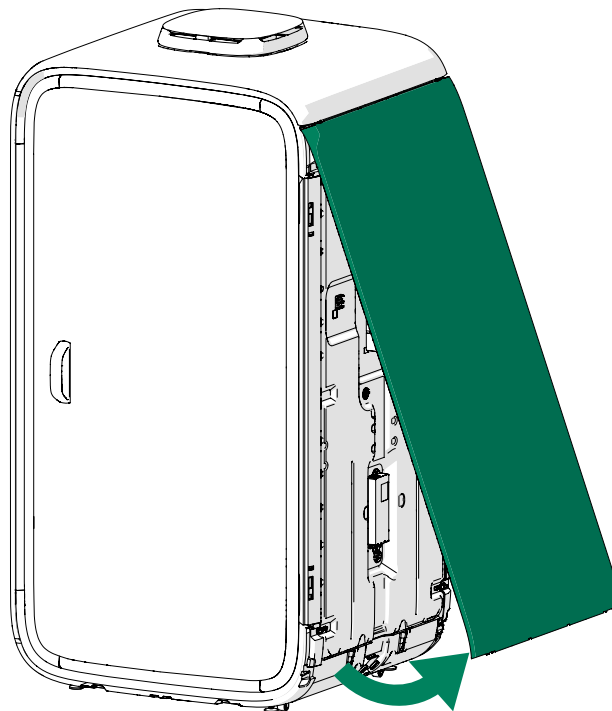


DANGER: Always disconnect the pod from the power outlet before you begin disassembly, maintenance, moving, or any other procedure.

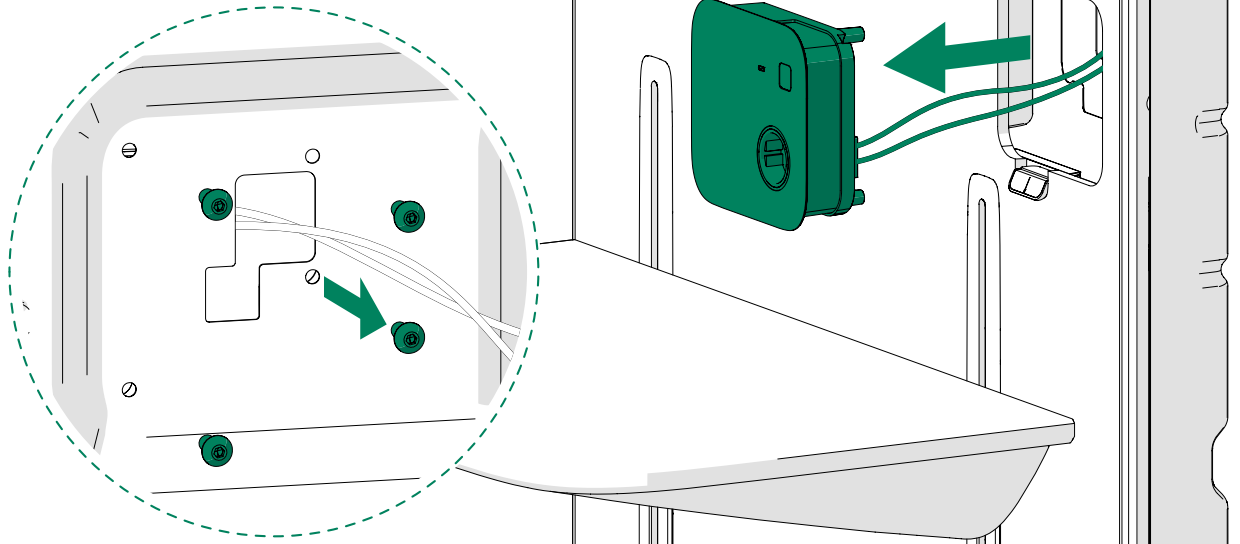
1.



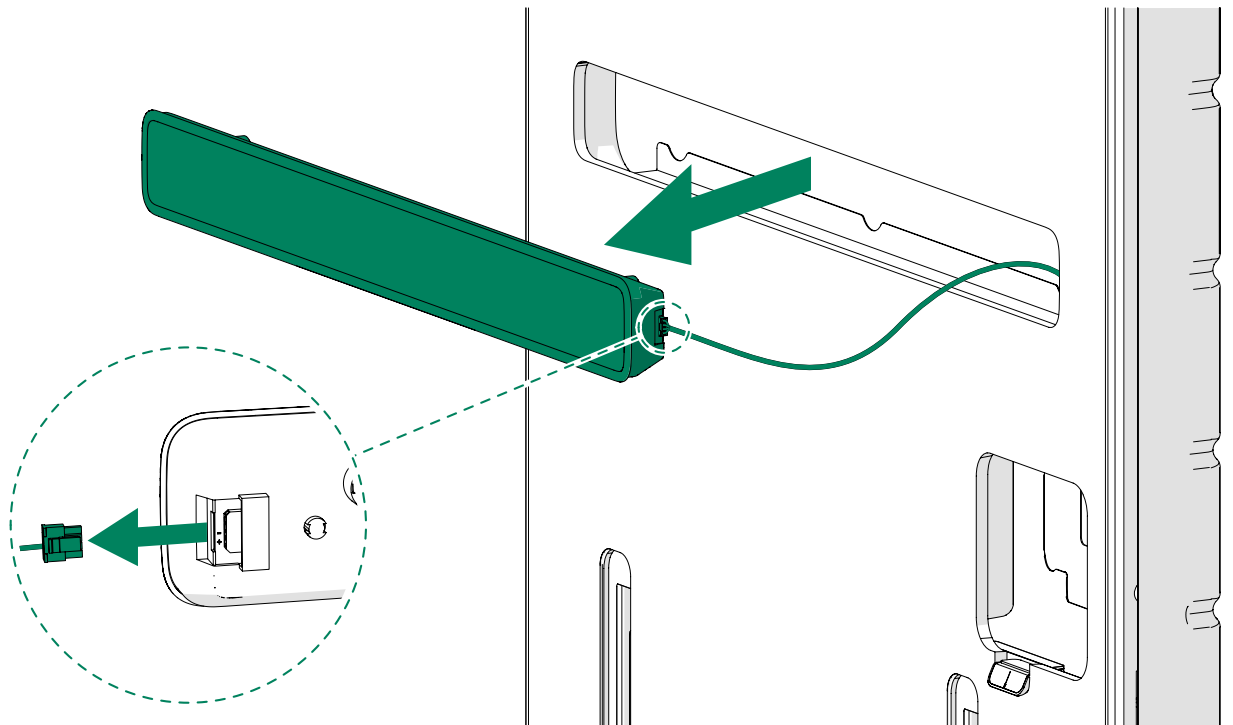
2.



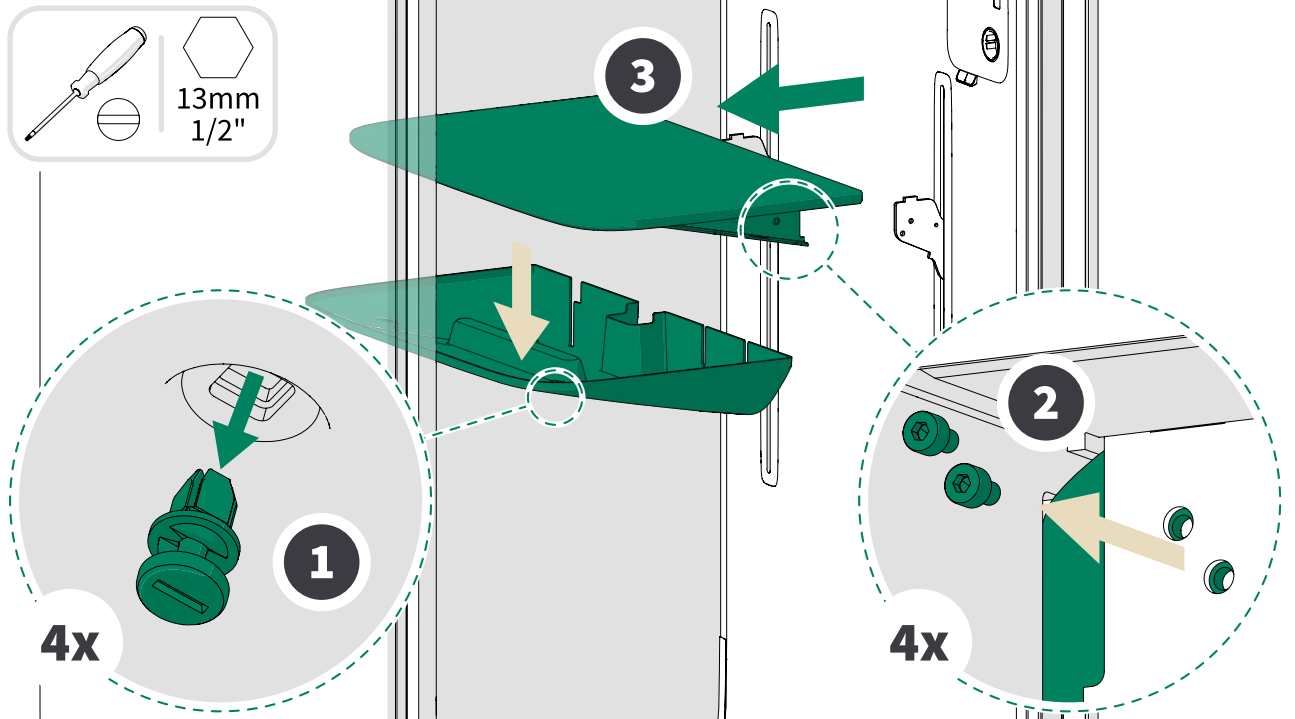
3.



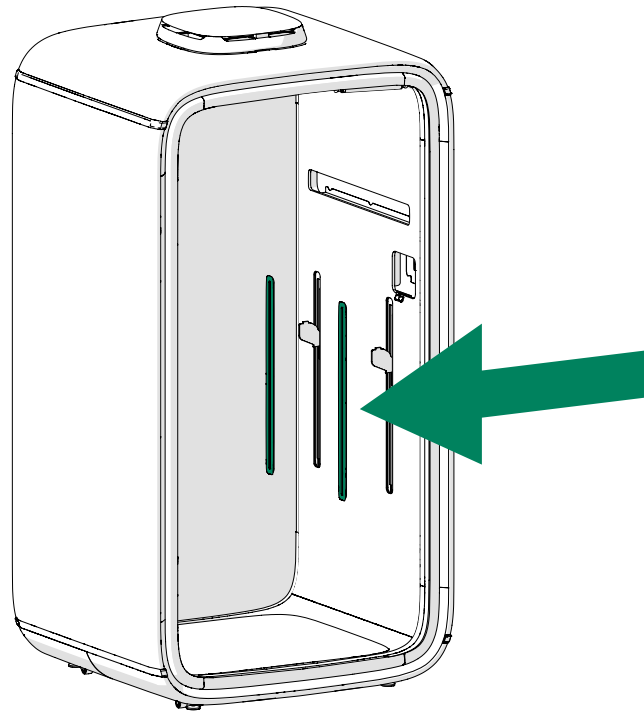
4.



5.

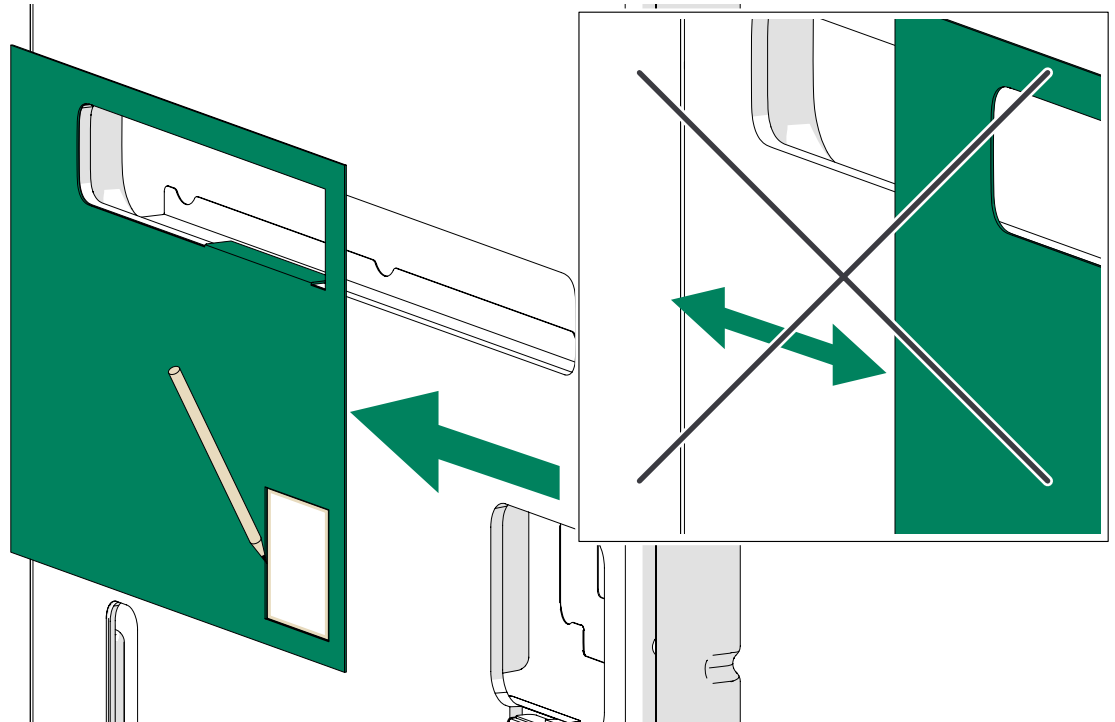


6.

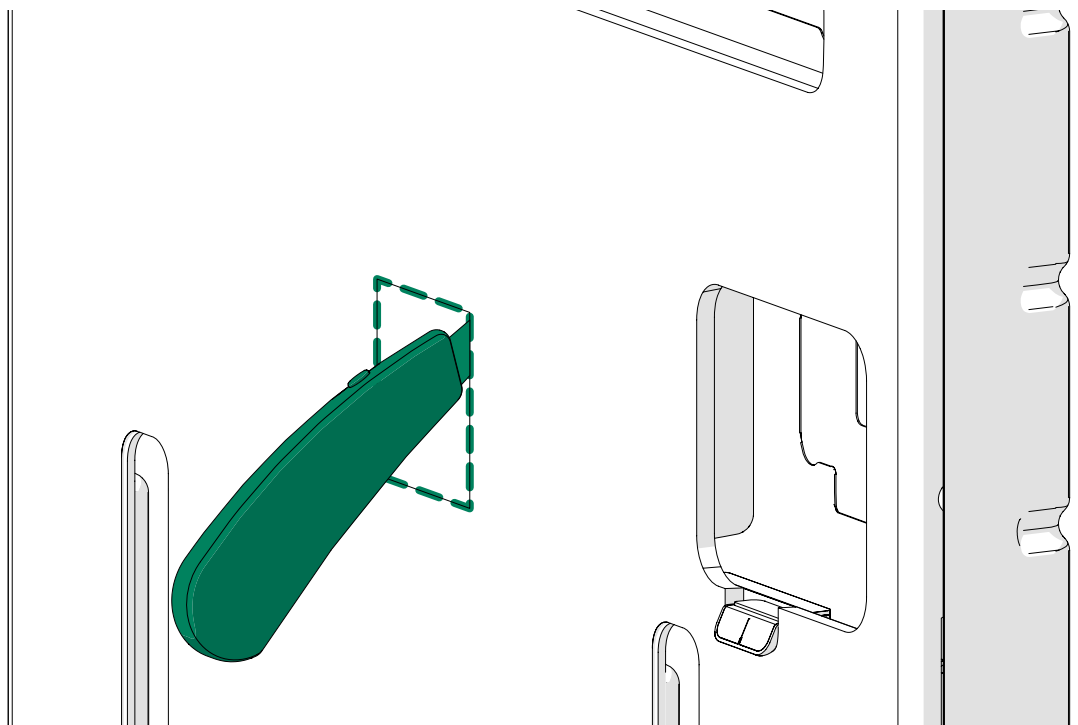


2 Cut the hole for the wall mount bracket

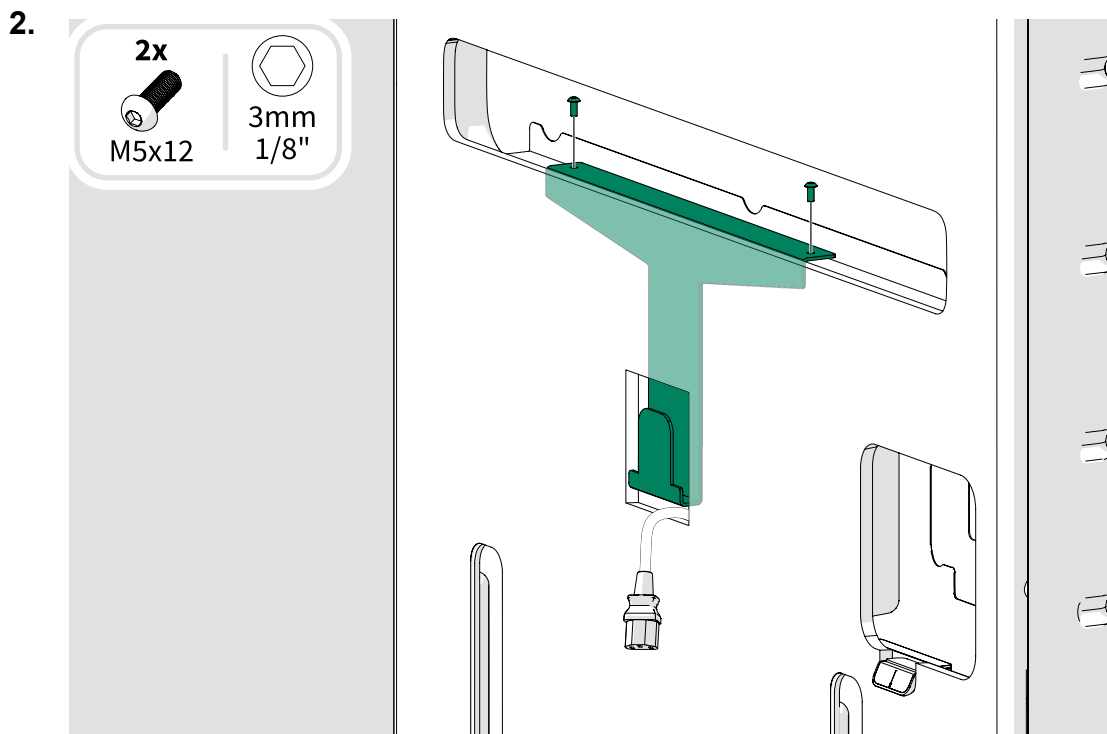
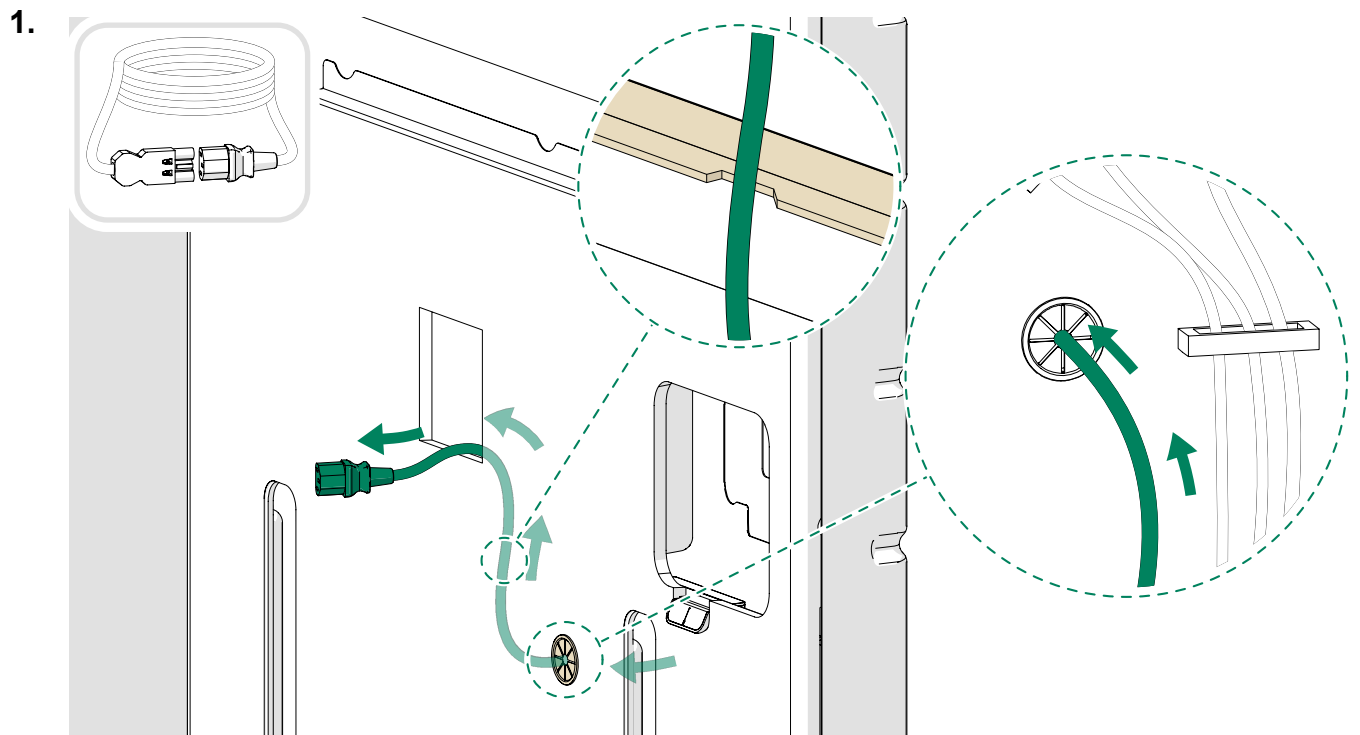
1.



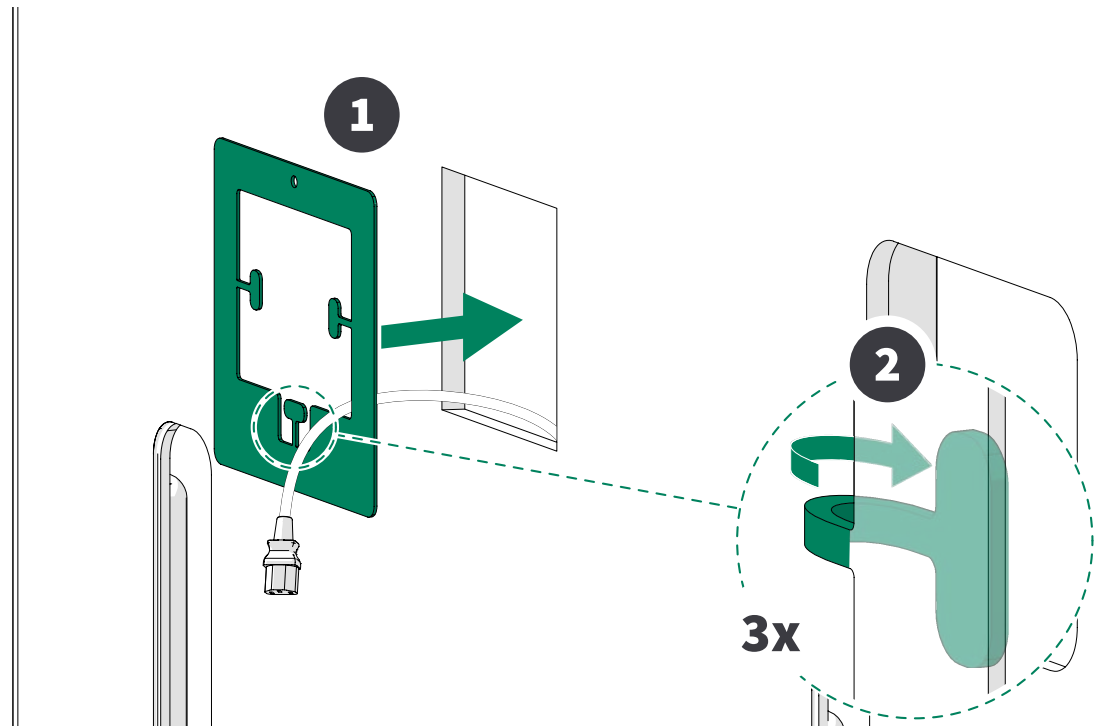
2.



3 Install the wall mount bracket



3.



4.

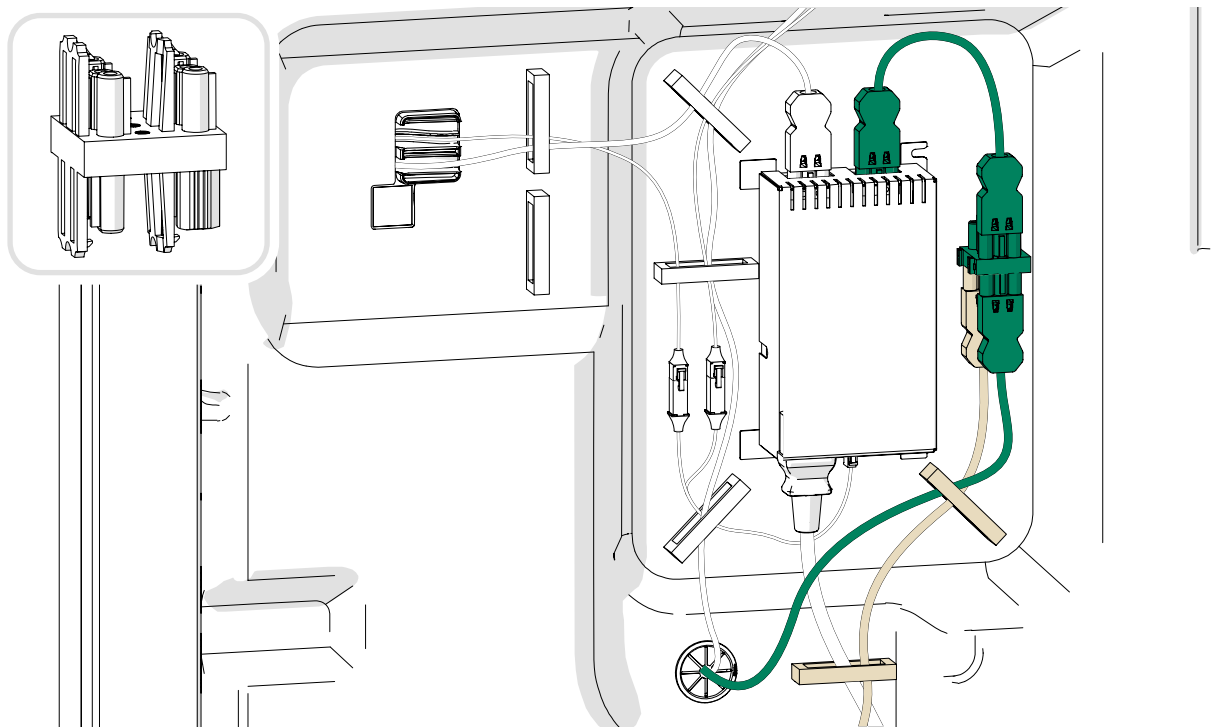


Figure 1: Connecting the monitor power cable to the new power unit

5.

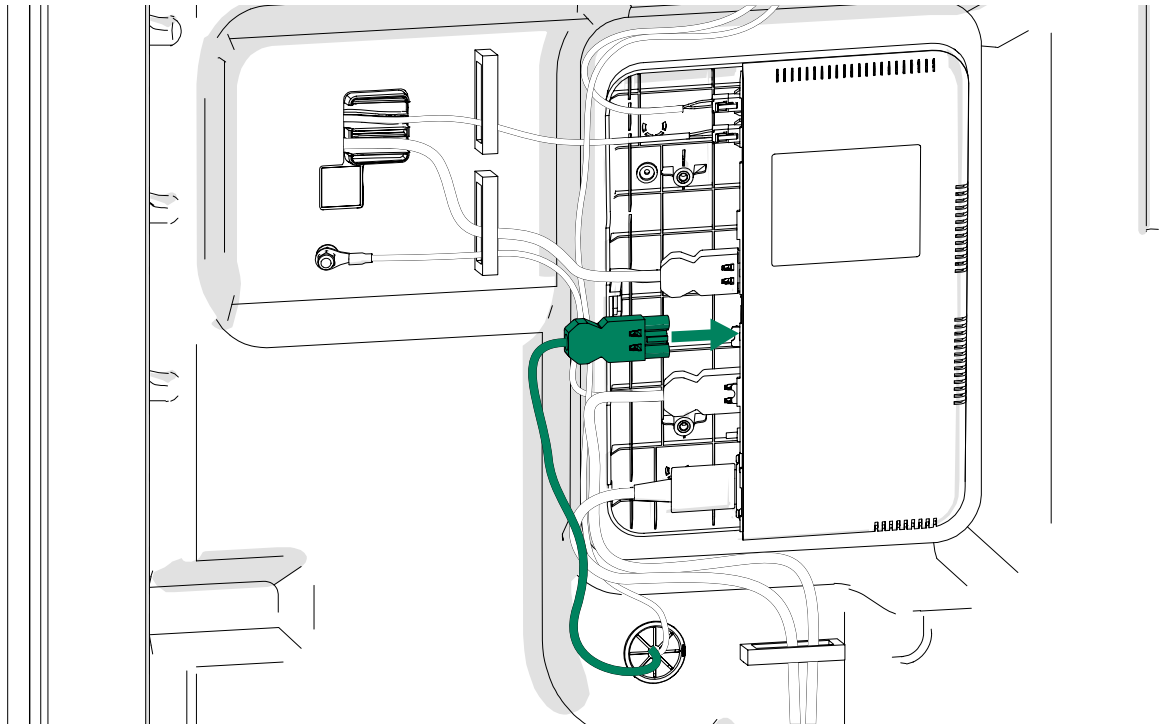
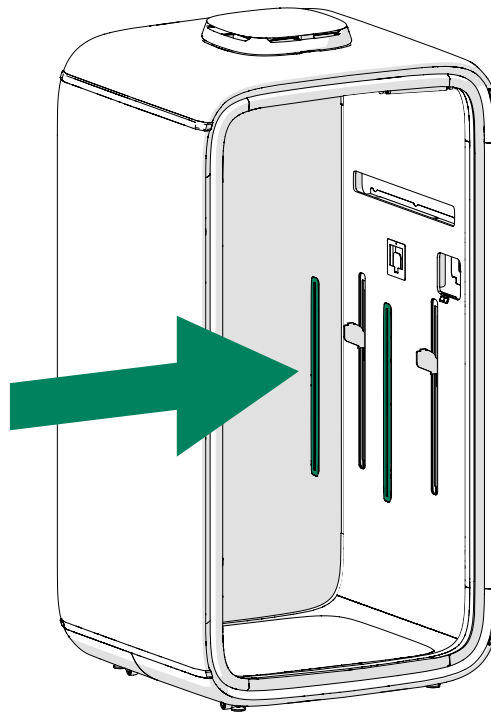
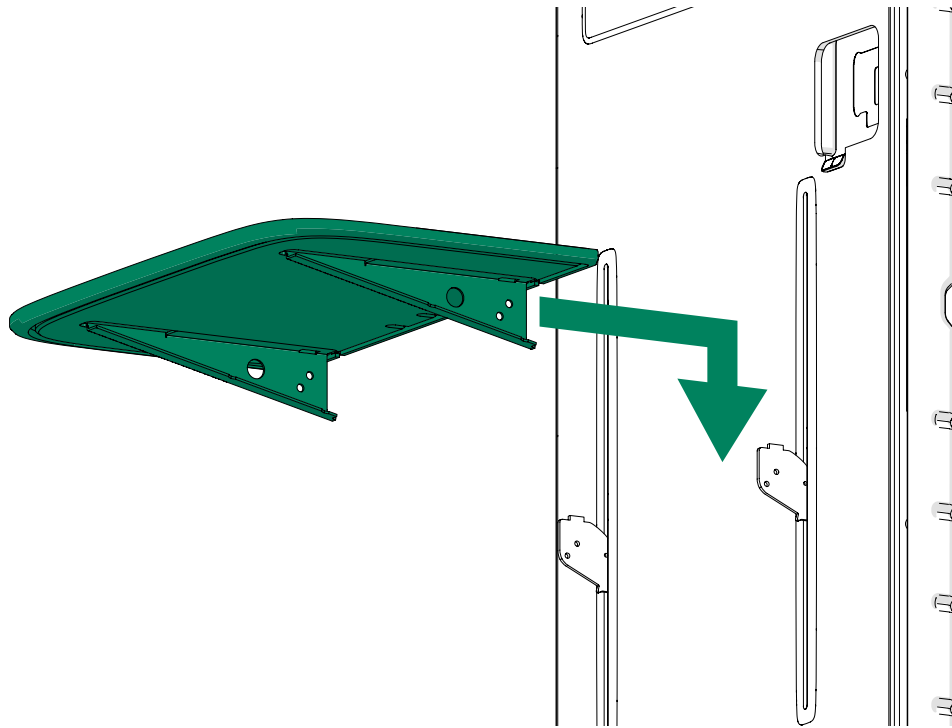


Figure 2: Connecting the monitor power cable to the old power unit

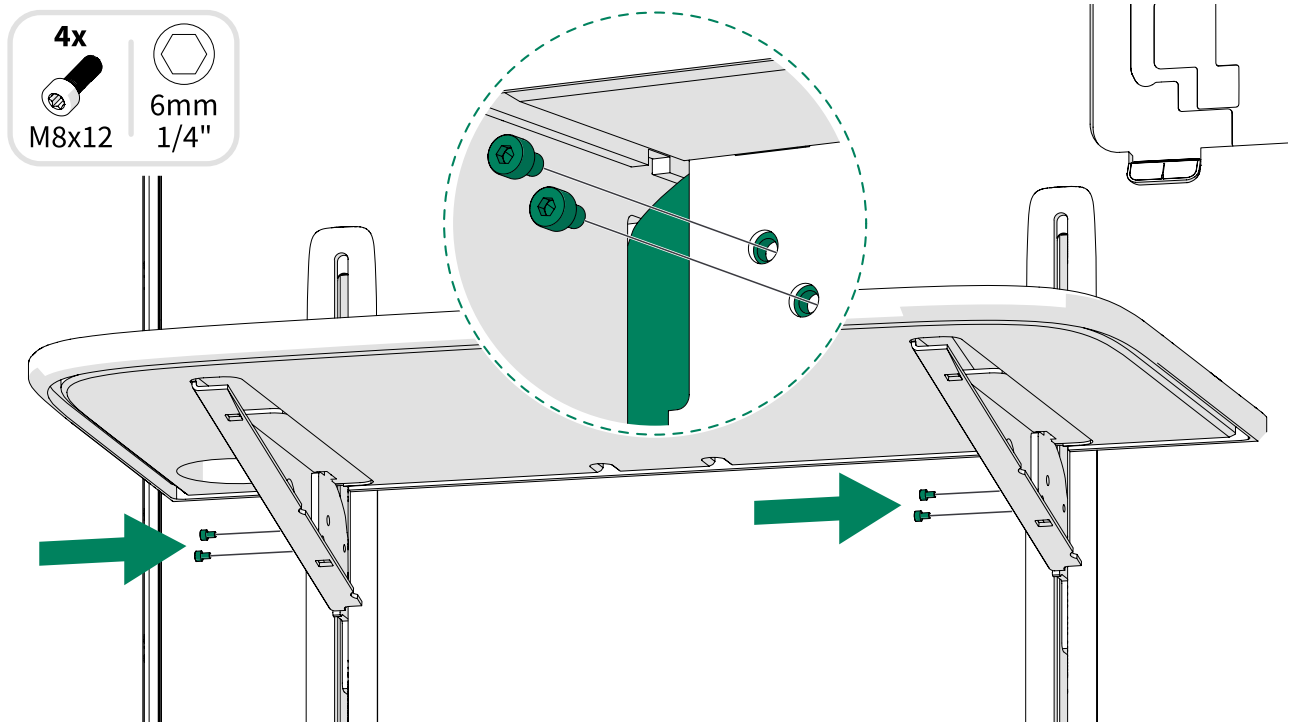
6.



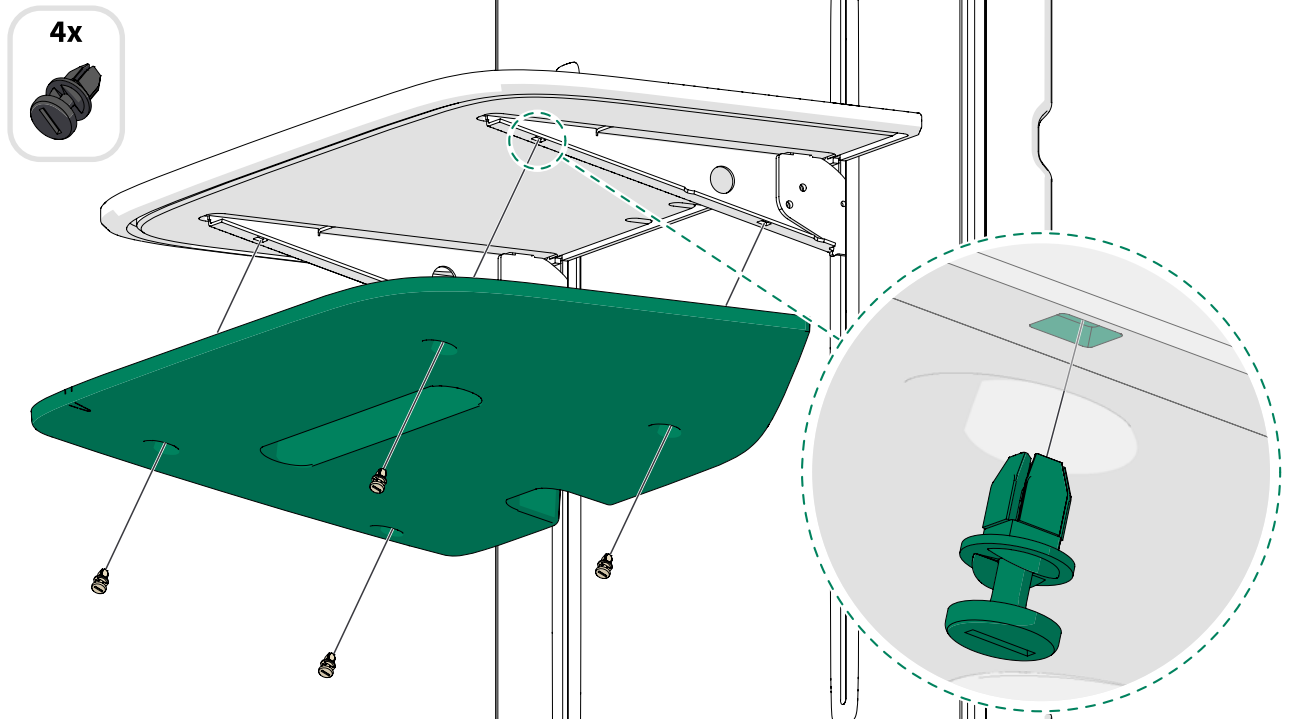
7.



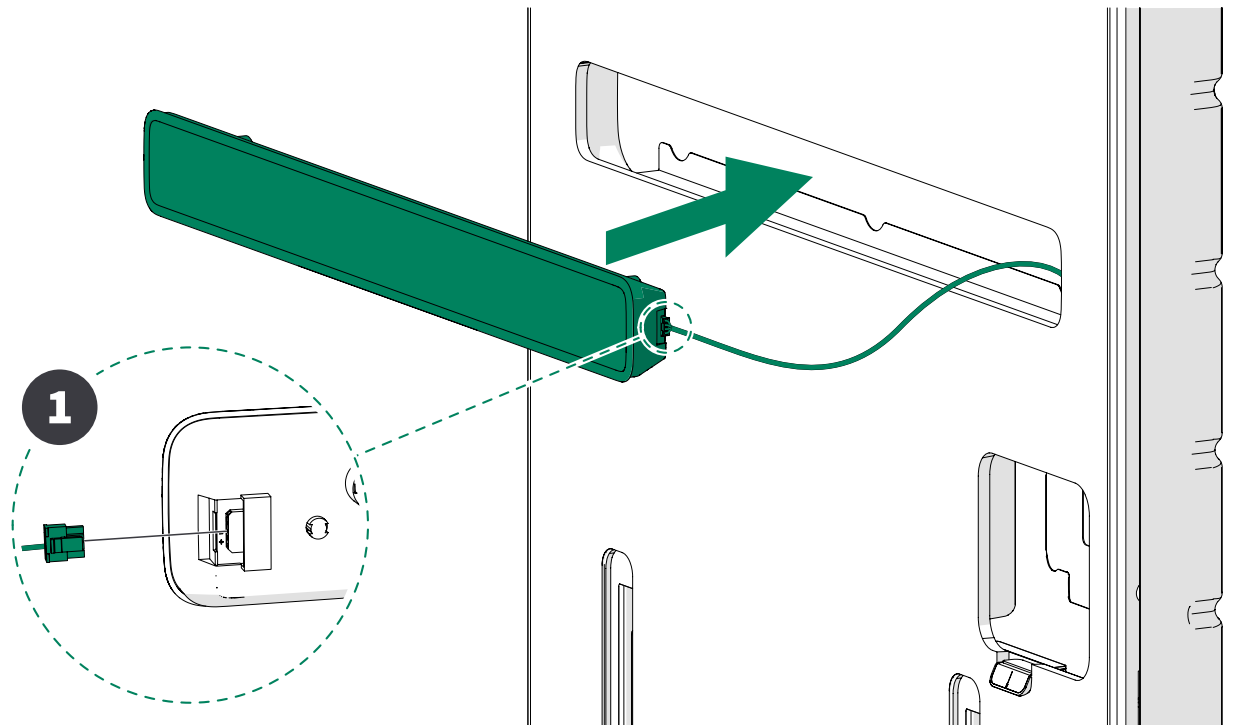
8.



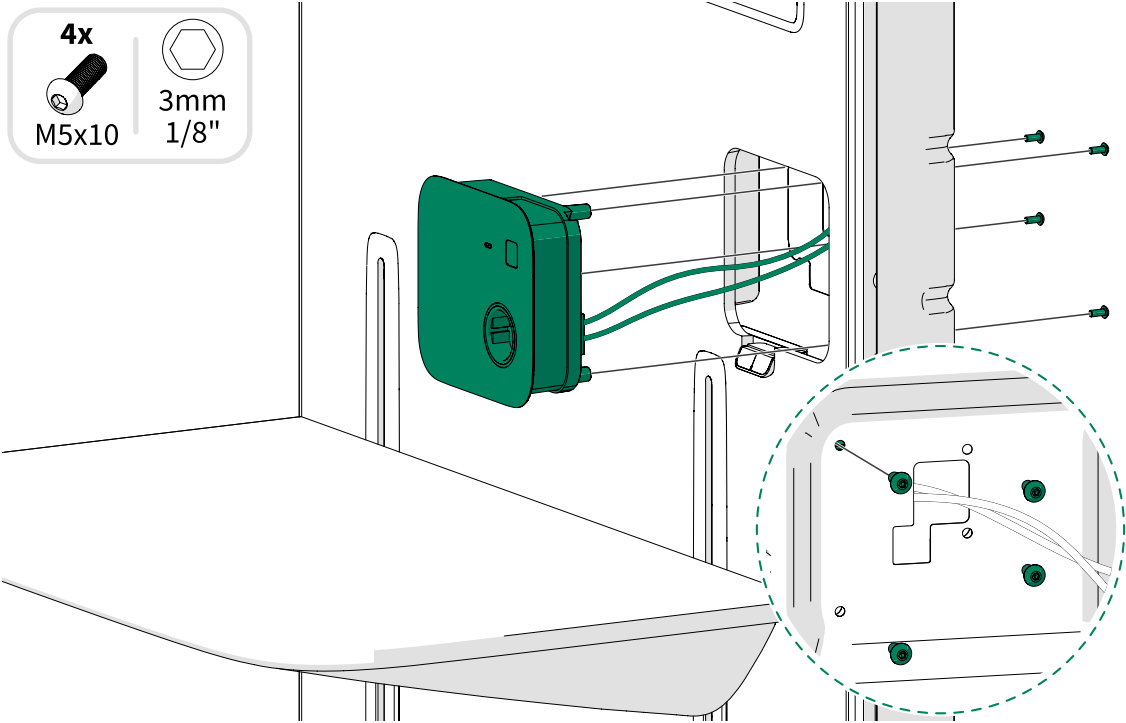
9.



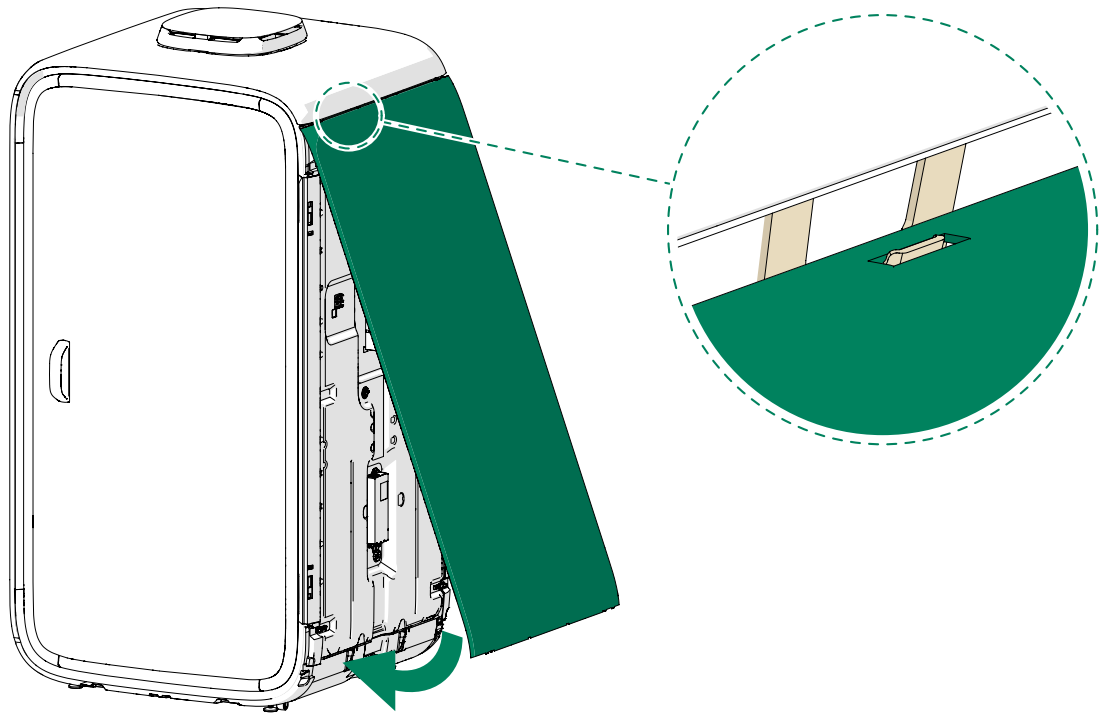
10.



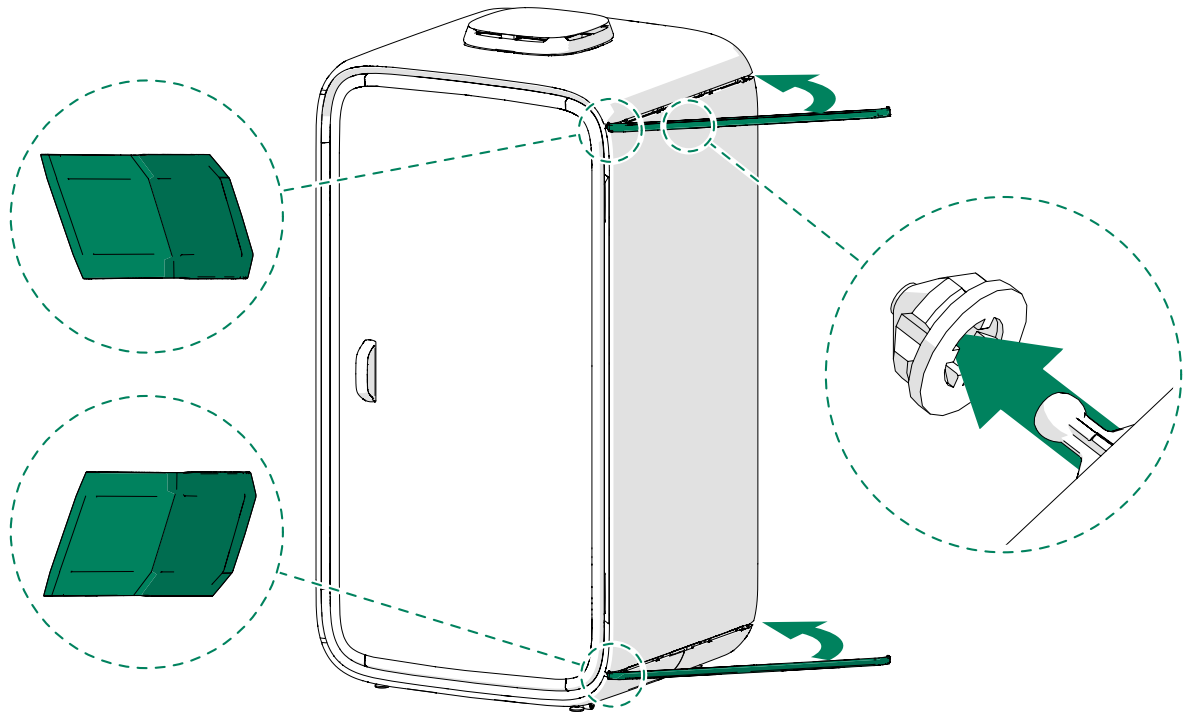
11.



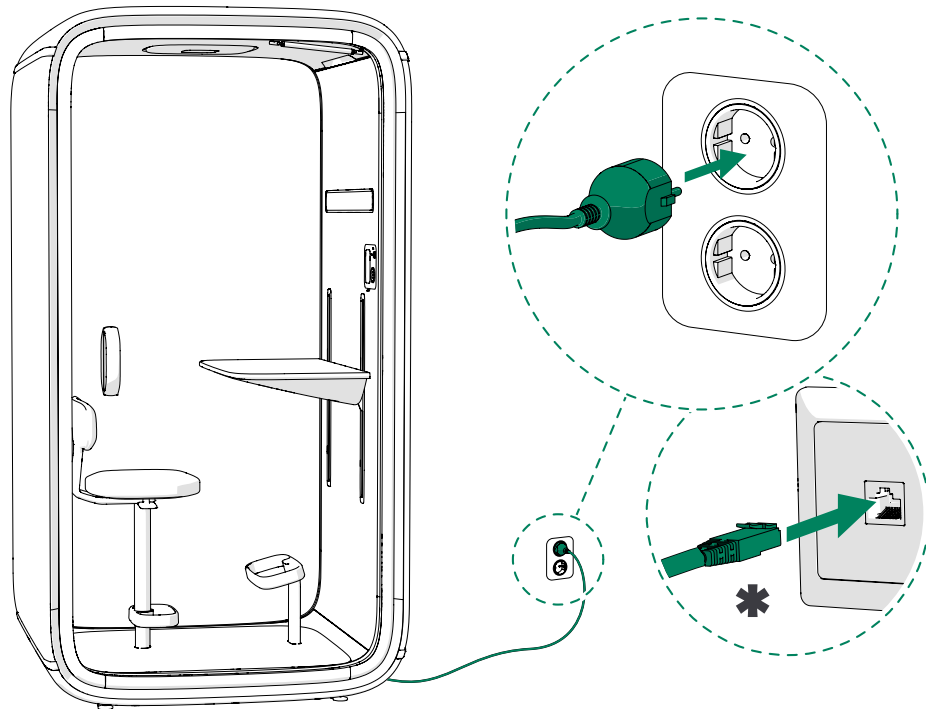
12.



13.



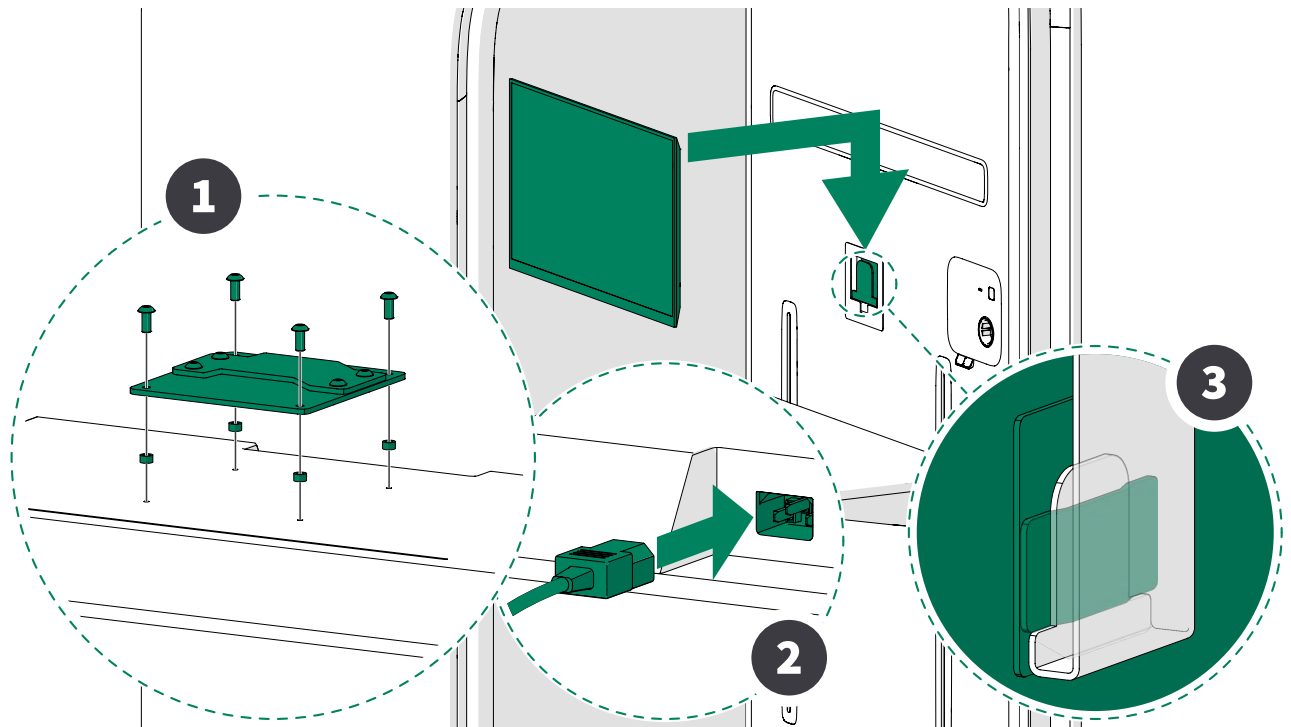
14.



4 Install the monitor



Note: If the monitor is not available, leave the mounting plate and screws in the wall mount for later installation.



5 Set a new highest position for the height-adjustable table

IMPORTANT: Adjustable table height needs to be set after the monitor is installed! If not properly set, the table might collide with the monitor.

1. Set the desk to the highest possible position.
(the table is almost touching the monitor)
2. Press and hold ▲ and ▼ buttons together for a second.
3. Release the ▼ button while still holding the ▲ button.
4. Press the ▼ button 3 times.
You will then hear a confirmation "beep".

To cancel the new highest position, repeat the process above.

framery

Framery One monitor wall mount

Installation instructions

Patamäenkatu 7

33900 Tampere

FINLAND

VAT: FI 23527139