



Contents


1 Important safety and product instructions.....	3
1.1 Preface.....	3
1.2 Product information.....	3
1.3 Copyright.....	3
1.4 Manual contents.....	3
2 Installation requirements.....	4
2.1 Installation locations for junction box and sprinkler / cease fire.....	4
2.2 Installation dimensions.....	4
2.3 Tools and accessories.....	5
3 Determine the pod type.....	6
4 Install a fire alarm notification device (strobe, strobe-horn, speaker, speaker-strobe) (newer pods with a junction box).....	8
5 Install a fire alarm notification device (strobe, strobe-horn, speaker, speaker-strobe) (older pods with no junction box).....	15
6 Install a fire suppression device (sprinkler / cease fire).....	22
6.1 Install the sprinkler (hard pipe).....	29
6.2 Install the cease fire.....	30

1 Important safety and product instructions

1.1 Preface

This instruction manual describes the installation of the product. Everyone involved in installing the product must read and understand the contents of the installation and safety instructions.

This instruction manual gives you necessary information for the correct installation of the product.

 **Note:** Proper installation of fire safety devices according to these instructions does NOT void the product warranty.

For complete product and safety instructions, see help.framery.com.

1.2 Product information

The information in this manual corresponds to the product at the time of delivery. All information included in this manual is valid at the time of publication.

1.3 Copyright

This document must not be copied, presented, or delivered to a third party without explicit permission from Framery. The use of this document for any purpose other than those allowed by Framery is prohibited. Framery reserves the right to change the instructions related to the product without separate notice.

1.4 Manual contents

The installation instructions contain the following information:

- General information about the purpose and content of the instructions
- Information related to safety
- Installation instructions

2 Installation requirements

2.1 Installation locations for junction box and sprinkler / cease fire

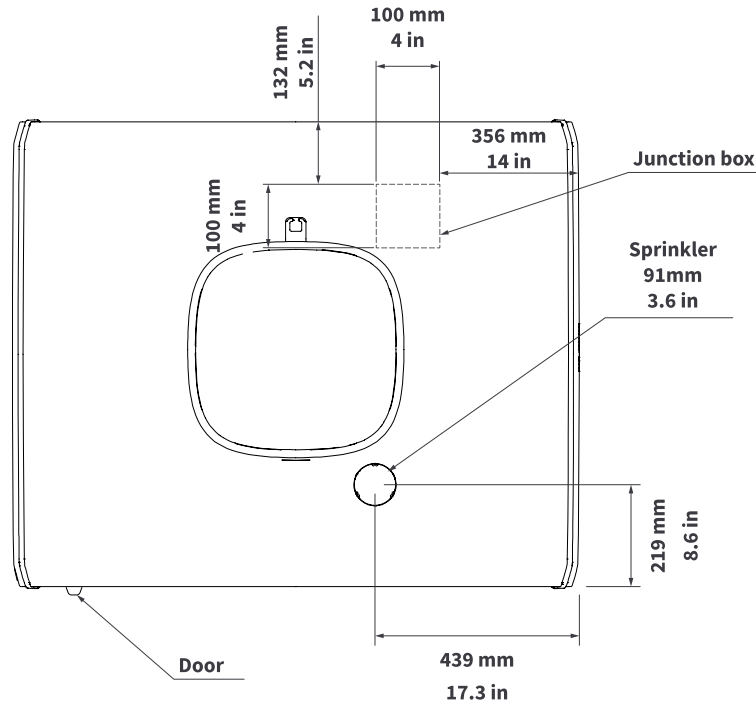


Figure 1: Framery One (top view) dimensions

2.2 Installation dimensions

Sprinkler system



Note: If the pod is connected to the sprinkler system of the building, the required space on each side of the pod is at least 50 cm / 20 in. This is to ensure that all components of the pod can be accessed for maintenance or replacement purposes.

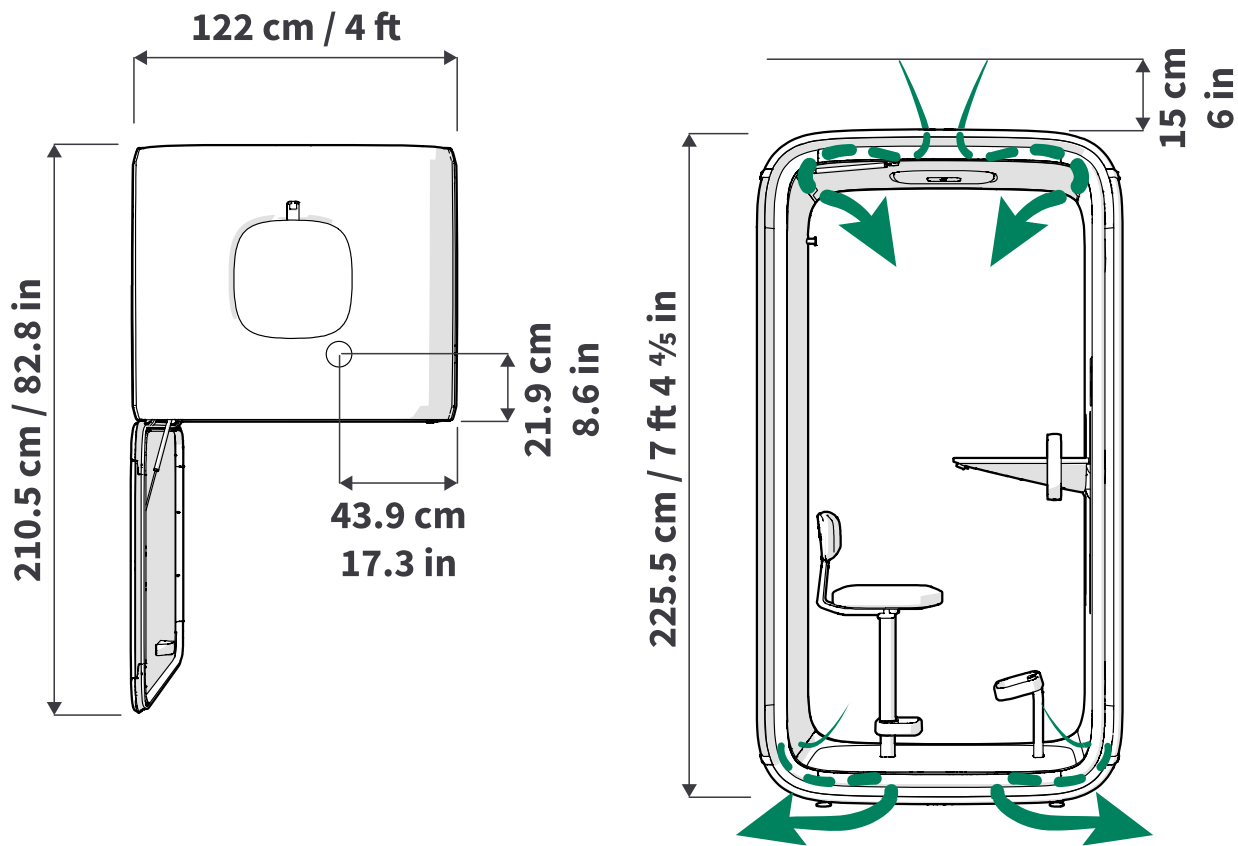


Figure 2: The dimensions of the pod along with the required room height and door clearance.

2.3 Tools and accessories

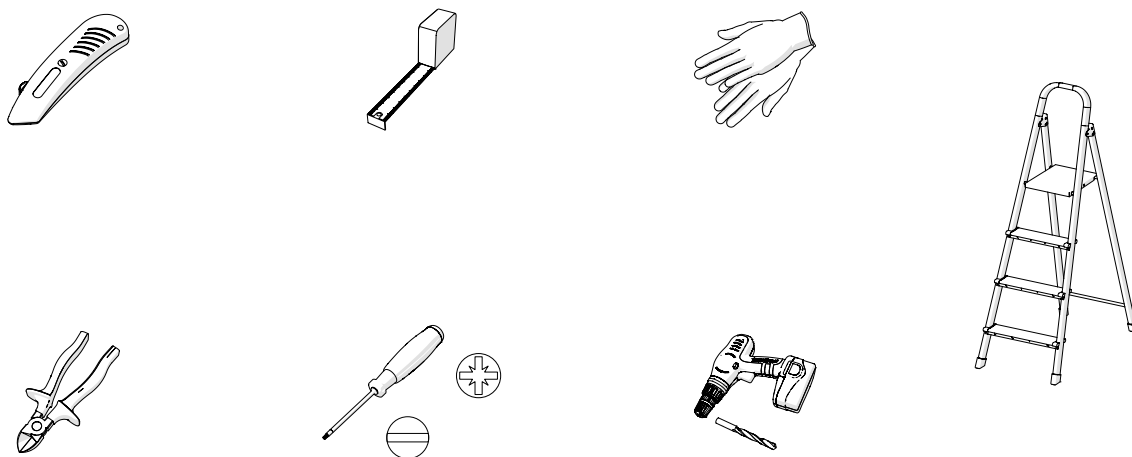
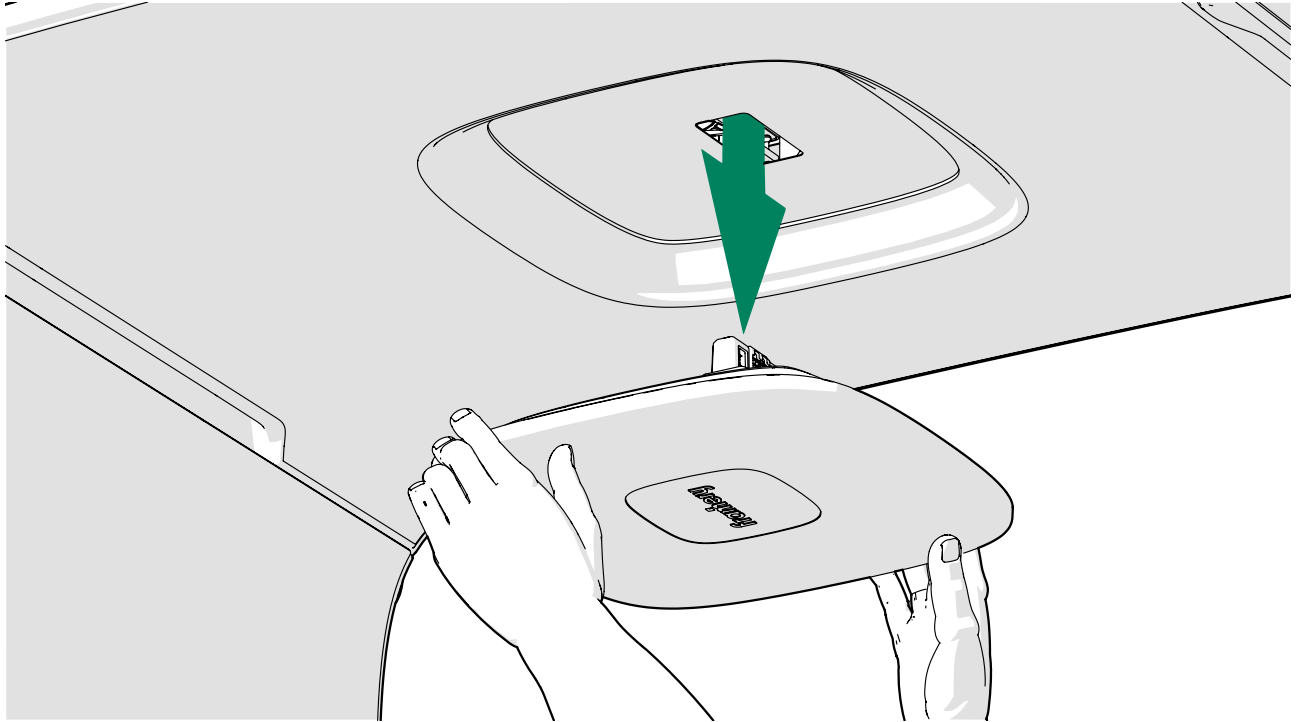


Figure 3: Tools and accessories

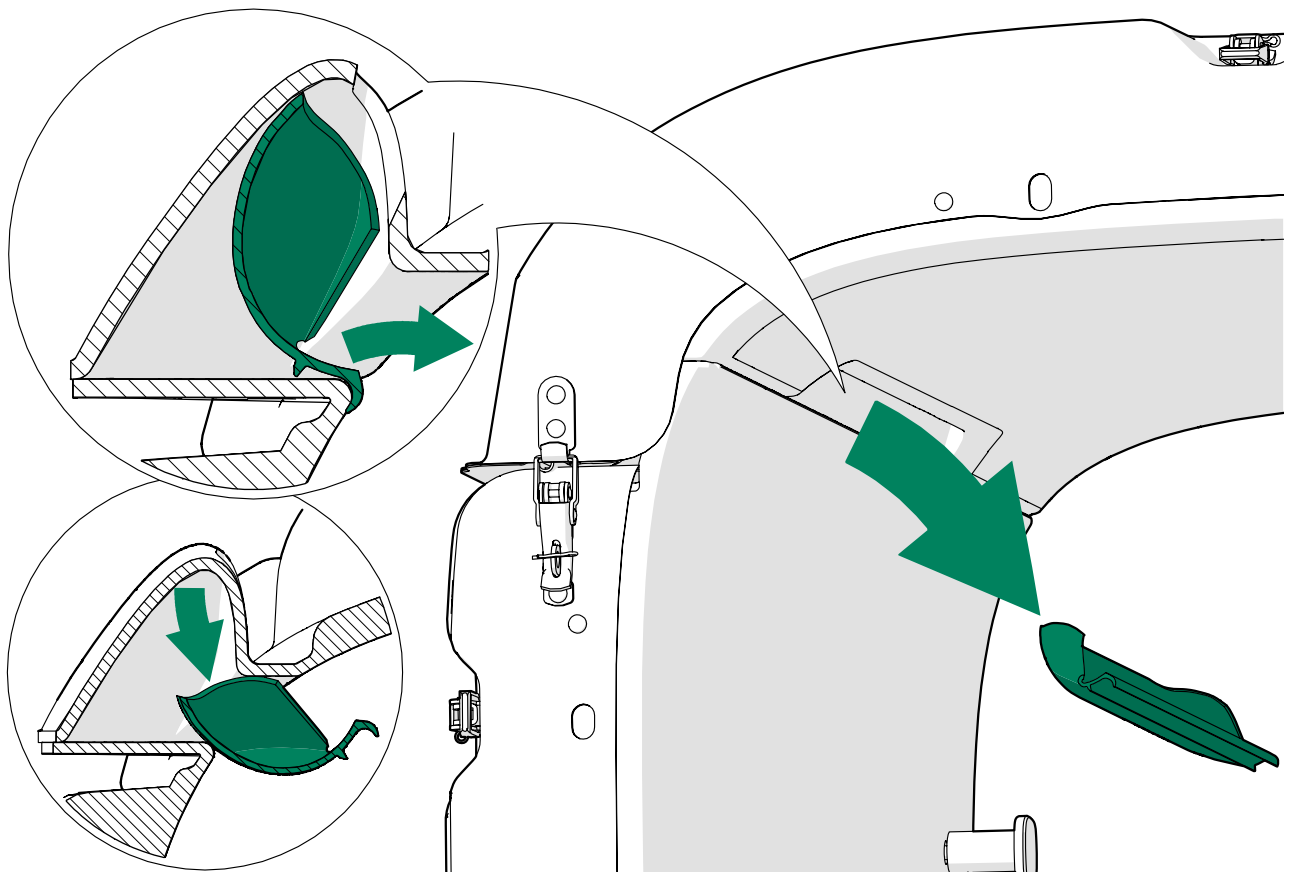
3 Determine the pod type

Newer pods are equipped with a junction box in the ceiling to make installing a wired alarm device easier. To determine whether the pod has a junction box or not, follow the steps in this section.

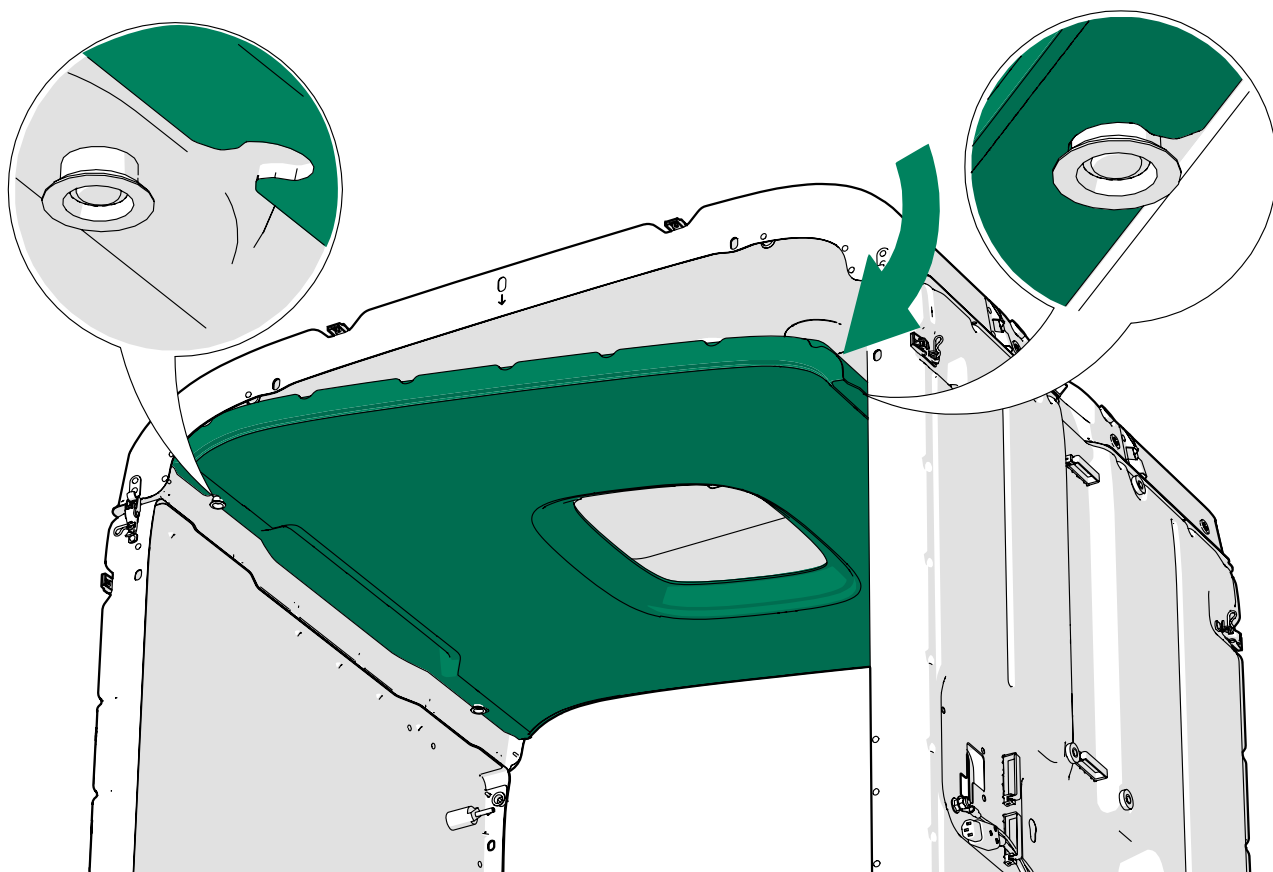
1. Remove the light with the control hub from the ceiling.



2. Remove the scoops from the ventilation channels.



3. Remove the ceiling panel.



After you have removed the ceiling panel, see if the pod has a junction box in the ceiling.

- If the pod has a junction box, go to section "Install a fire alarm notification device (strobe, strobe-horn, speaker, speaker-strobe) (newer pods with a junction box)" on page 8.
- If the pod does not have a junction box, go to section "Install a fire alarm notification device (strobe, strobe-horn, speaker, speaker-strobe) (older pods with no junction box)" on page 15.

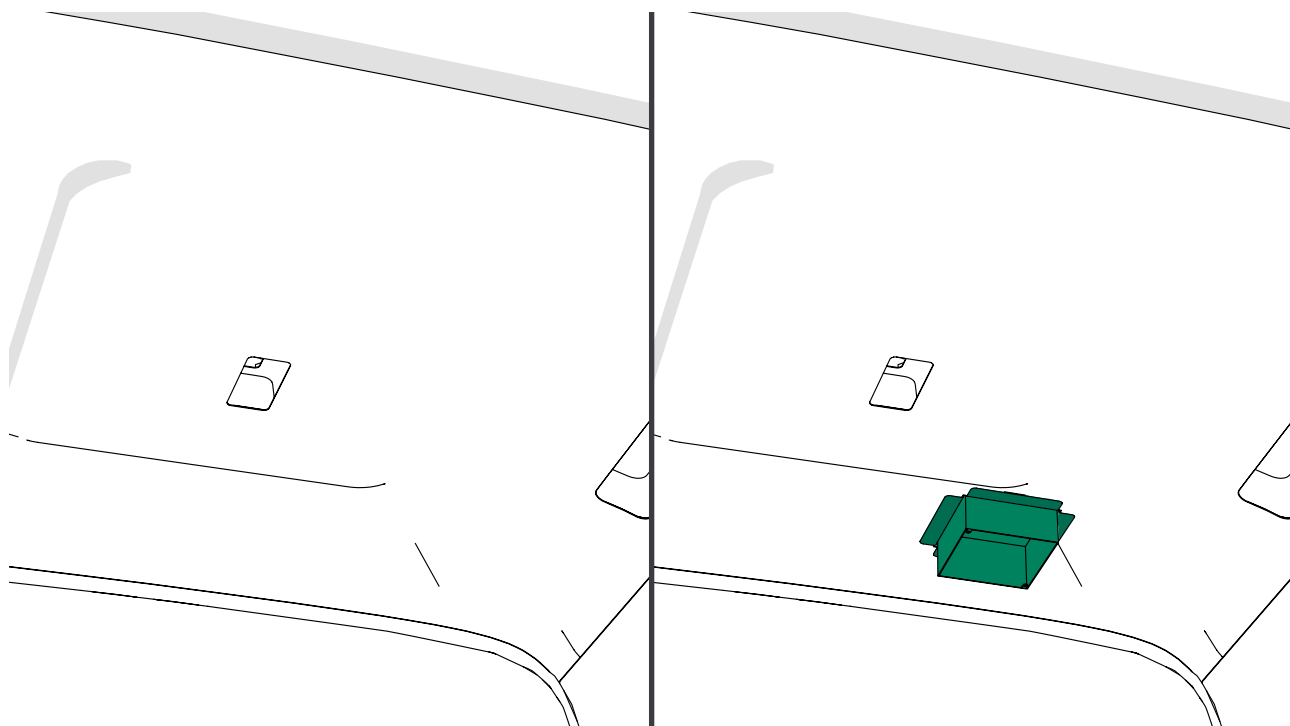


Figure 4: Pod without a junction box (on the left) and pod with a junction box (on the right)

4 Install a fire alarm notification device (strobe, strobe-horn, speaker, speaker-strobe) (newer pods with a junction box)

The instructions in this section only apply to pods that have a junction box.

⚠ DANGER: Always disconnect the pod from the power outlet before you begin disassembly, maintenance, moving, or any other procedure.

1. Remove the fan cover.

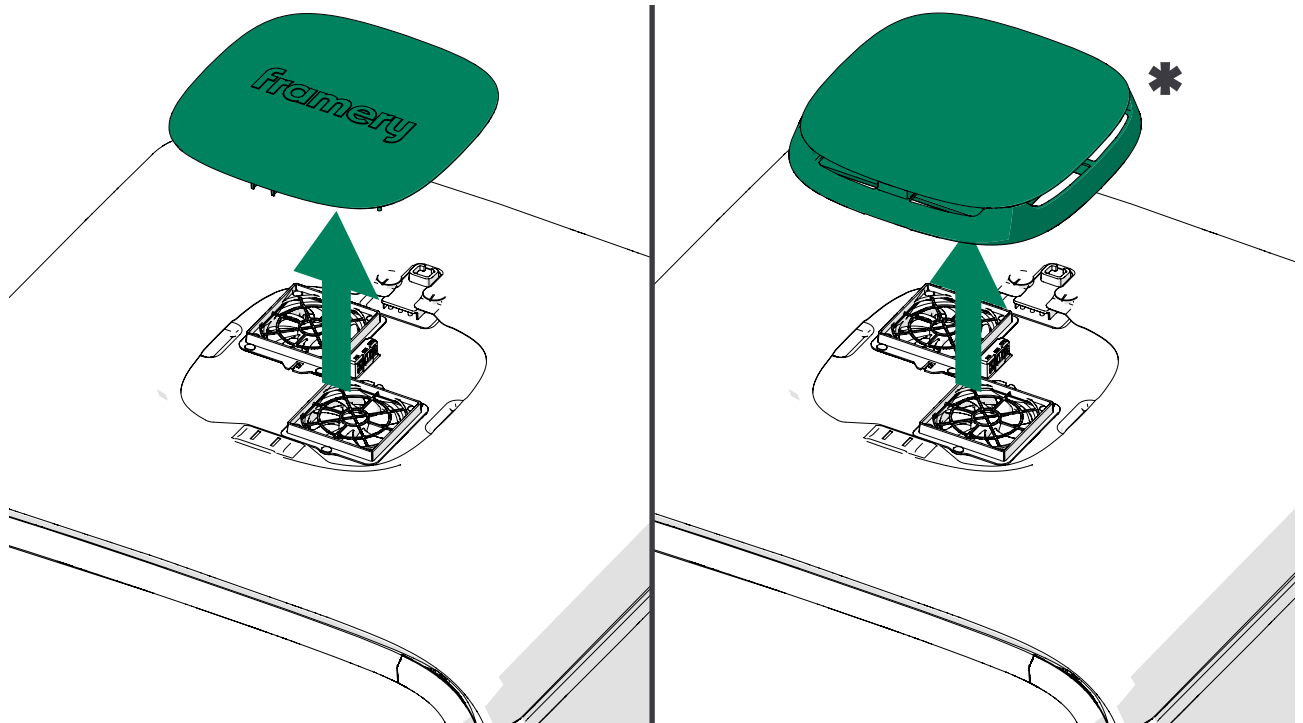
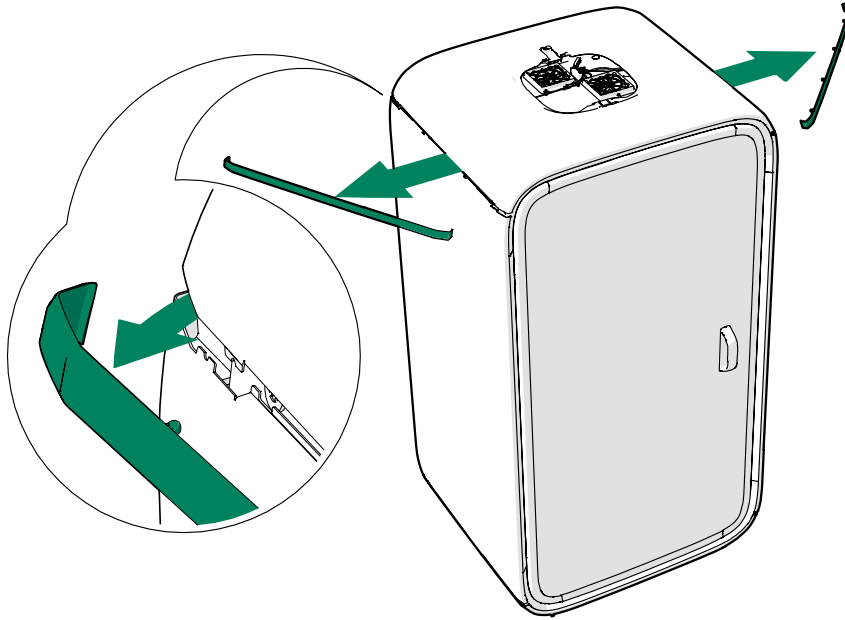
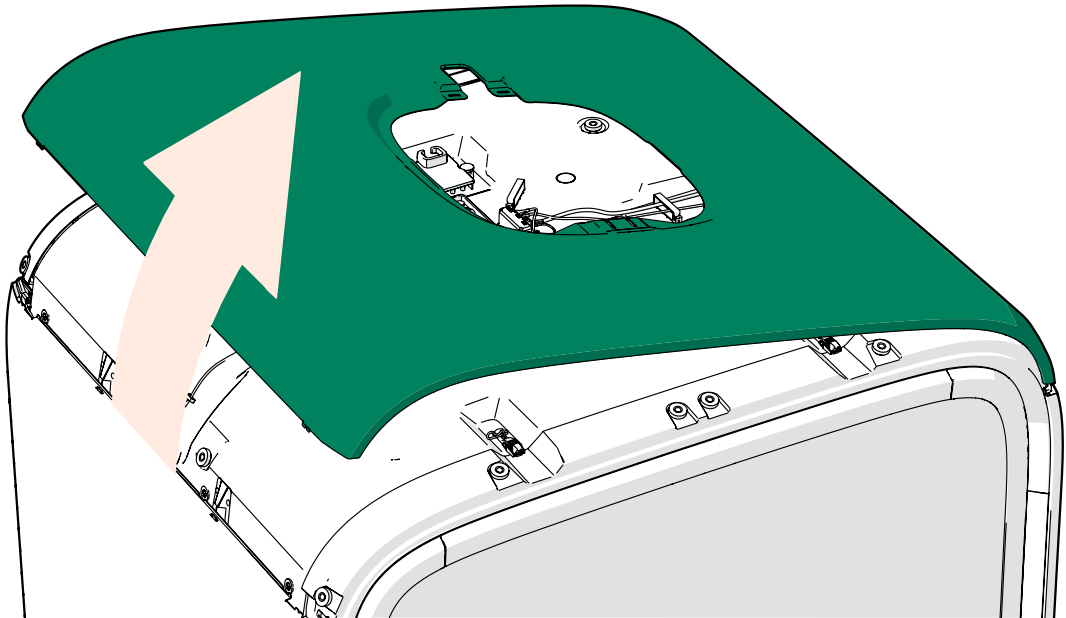


Figure 5: * = With optional filter

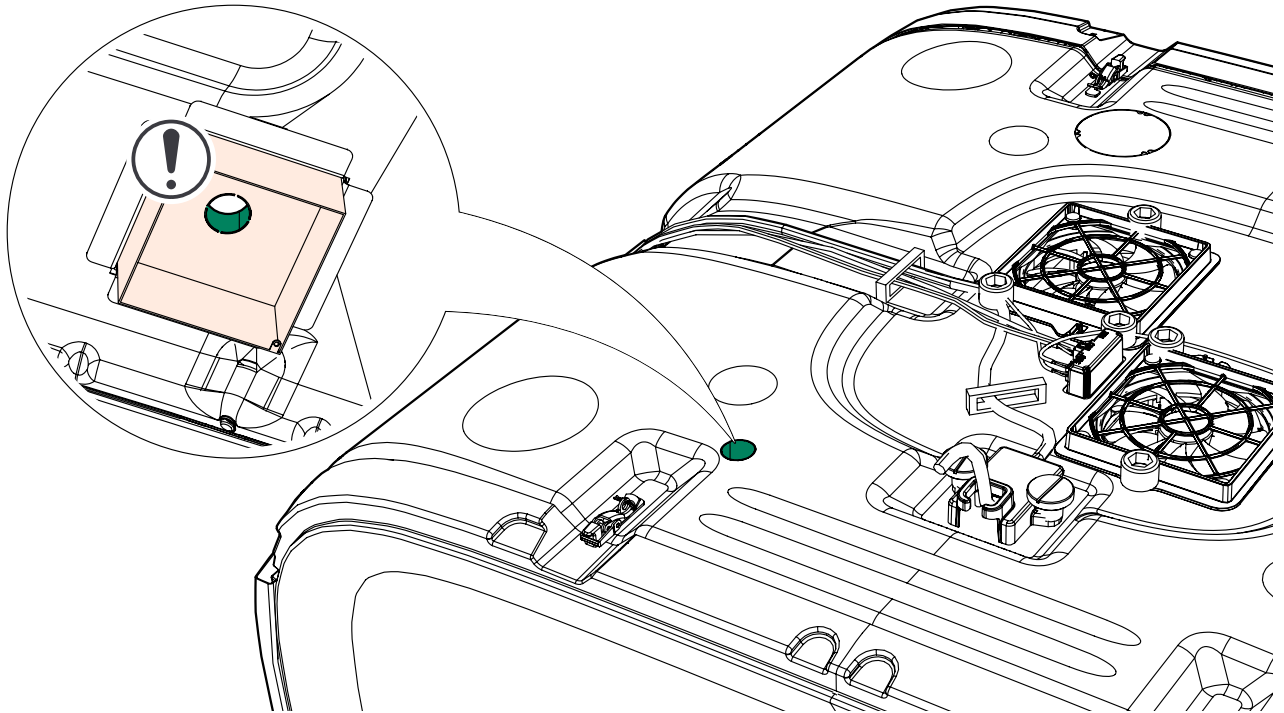
2. Remove the plastic trims.



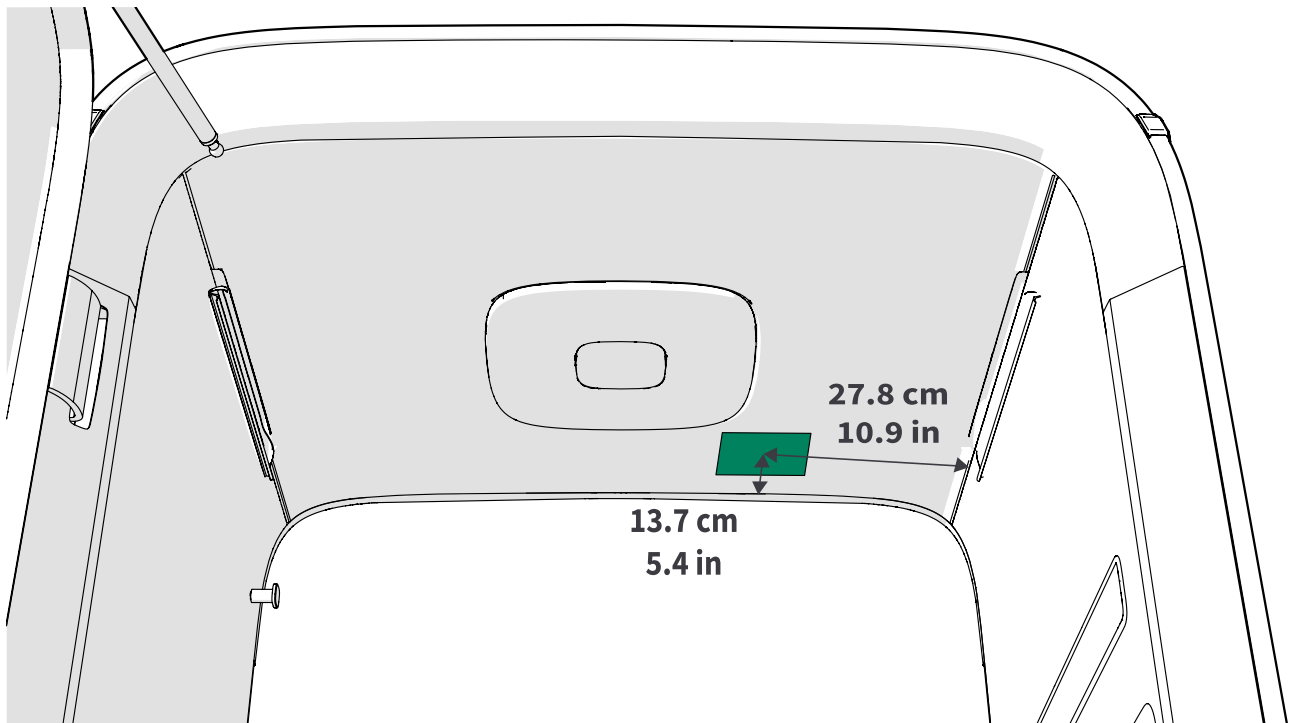
3. Remove the roof body cover.



4. Punch out the precut flap in the middle of the junction box and on the top of the roof module. Use a screwdriver.

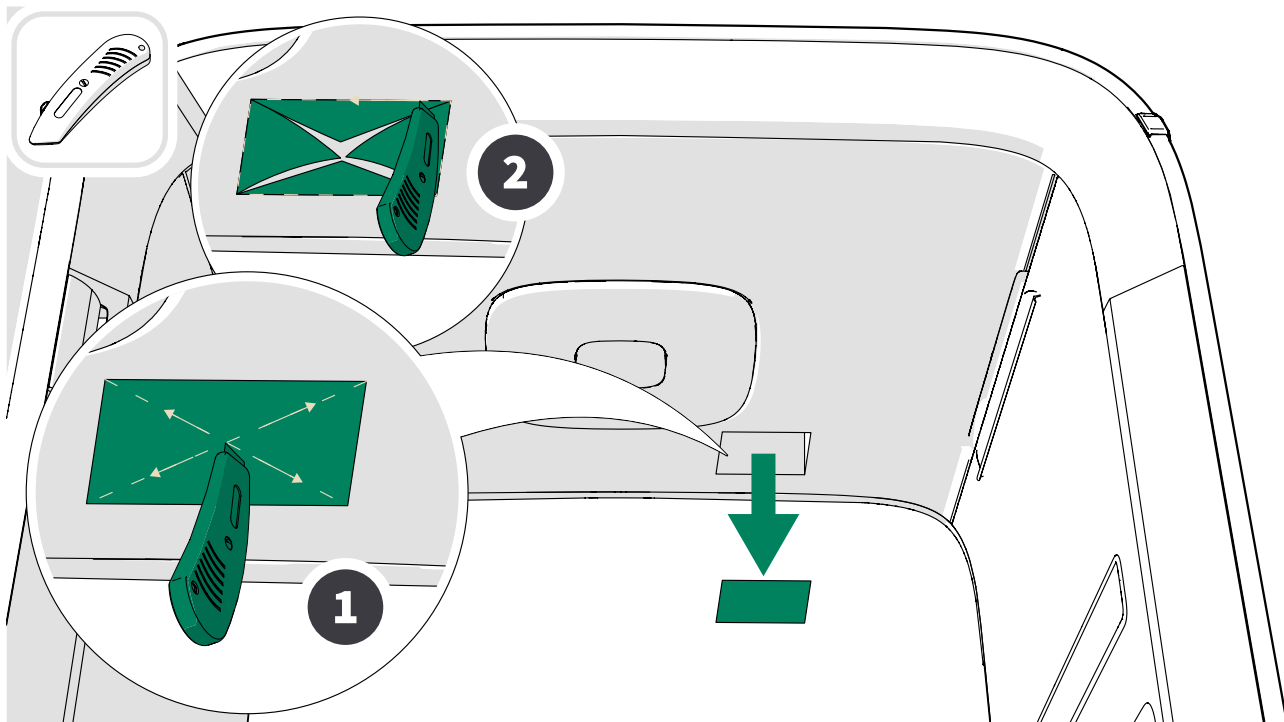


5. Locate the middle point of the junction box.



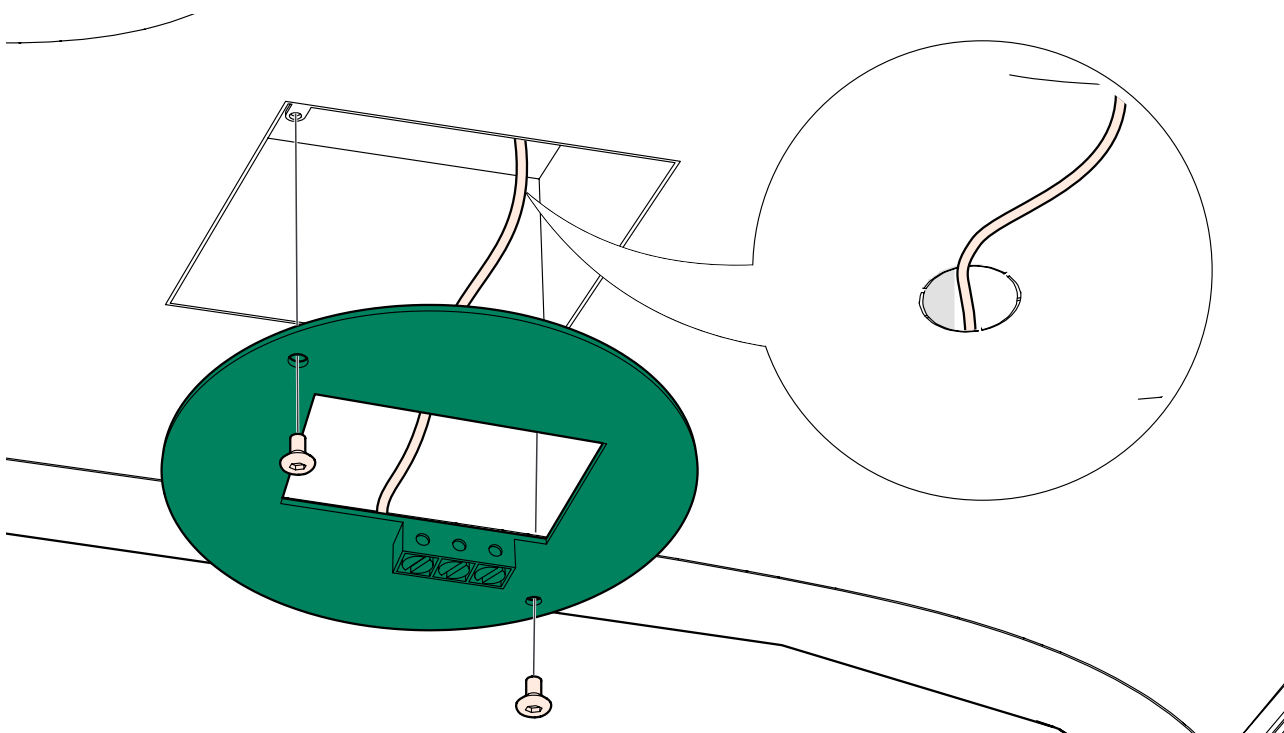
- Cut a hole to the ceiling panel. Use a utility knife. Start from the middle point of the junction box and cut a straight line to each corner of the junction box, and then remove the rest.

⚠ **Note:** Make sure that the notification device is compatible with the junction box before you cut the ceiling panel. The dimensions of the junction box are 100 mm x 100 mm x 54 mm (4 in x 4 in x 2 1/8 in).



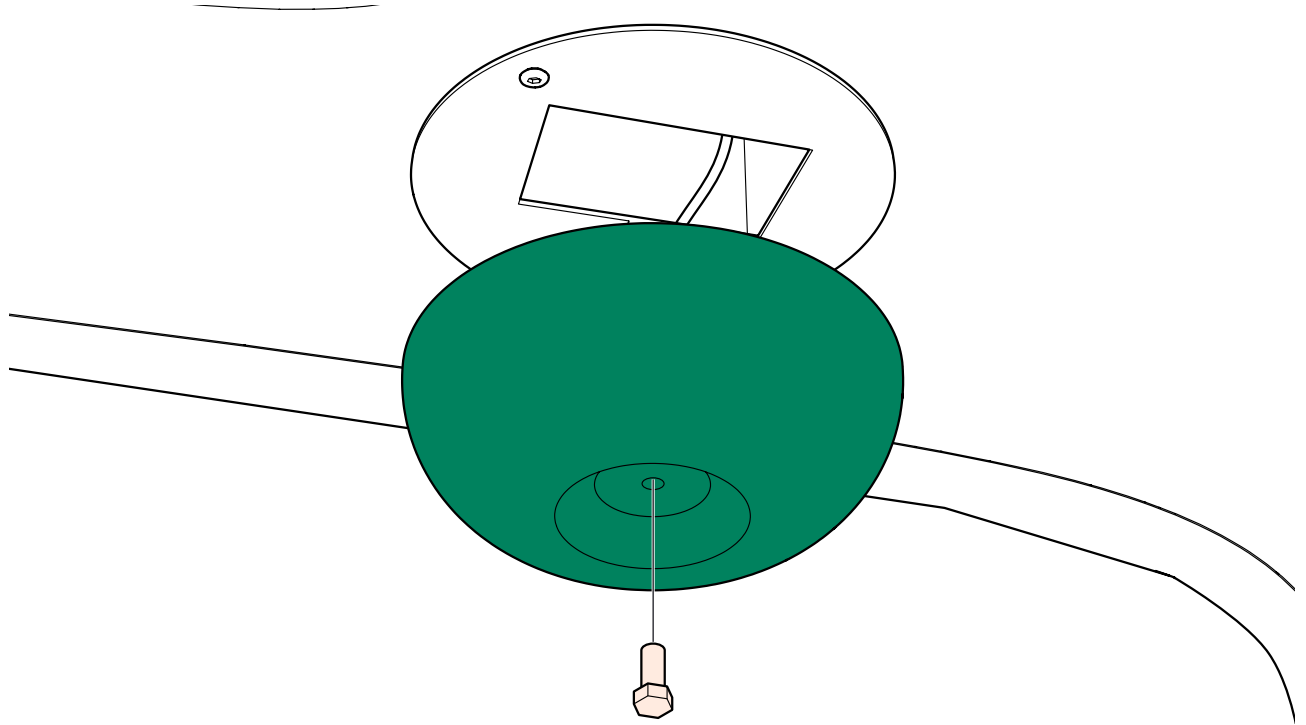
- Install the base of the wired alarm device to the junction box with two screws.

⚠ **Note:** If required in your jurisdiction, rigid or flexible conduit can be run through the ceiling and attached to the back of the junction box.



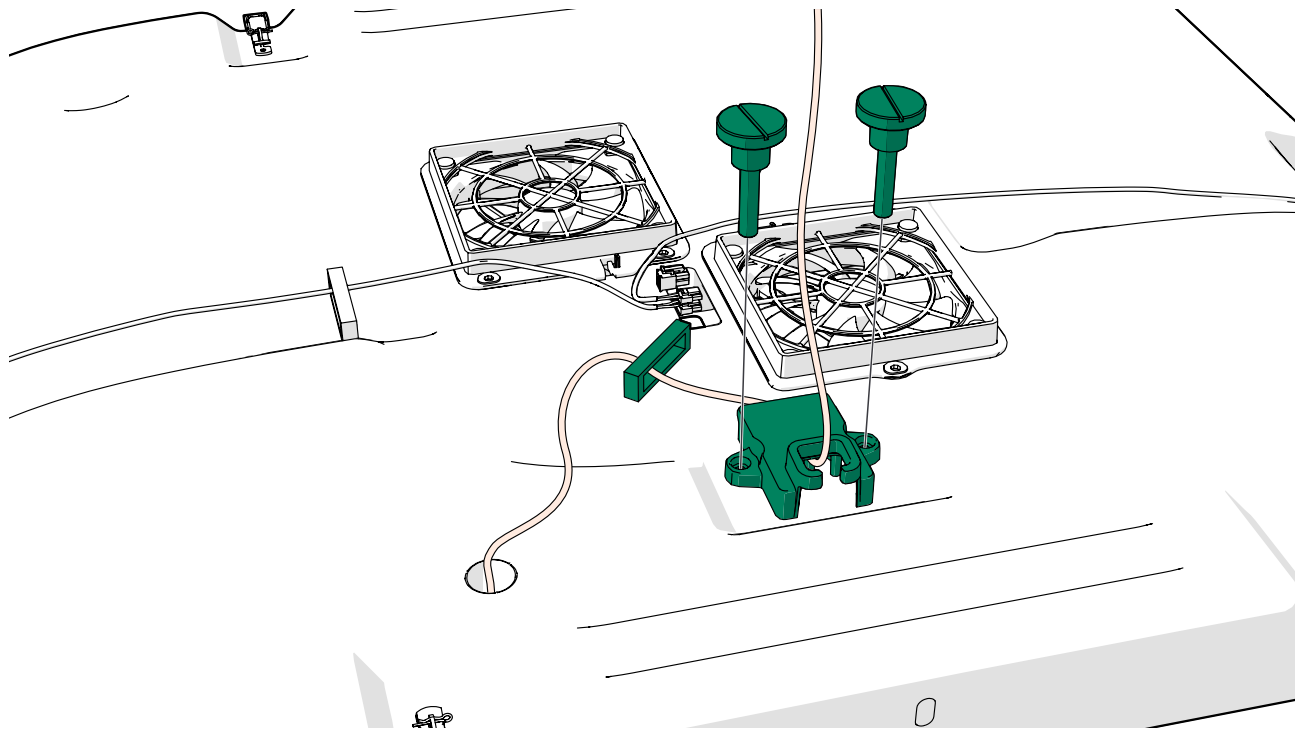
- Push the power cord of the wired alarm device through the hole to the roof.

9. Install the alarm device to the base. Follow the manufacturer's instructions.



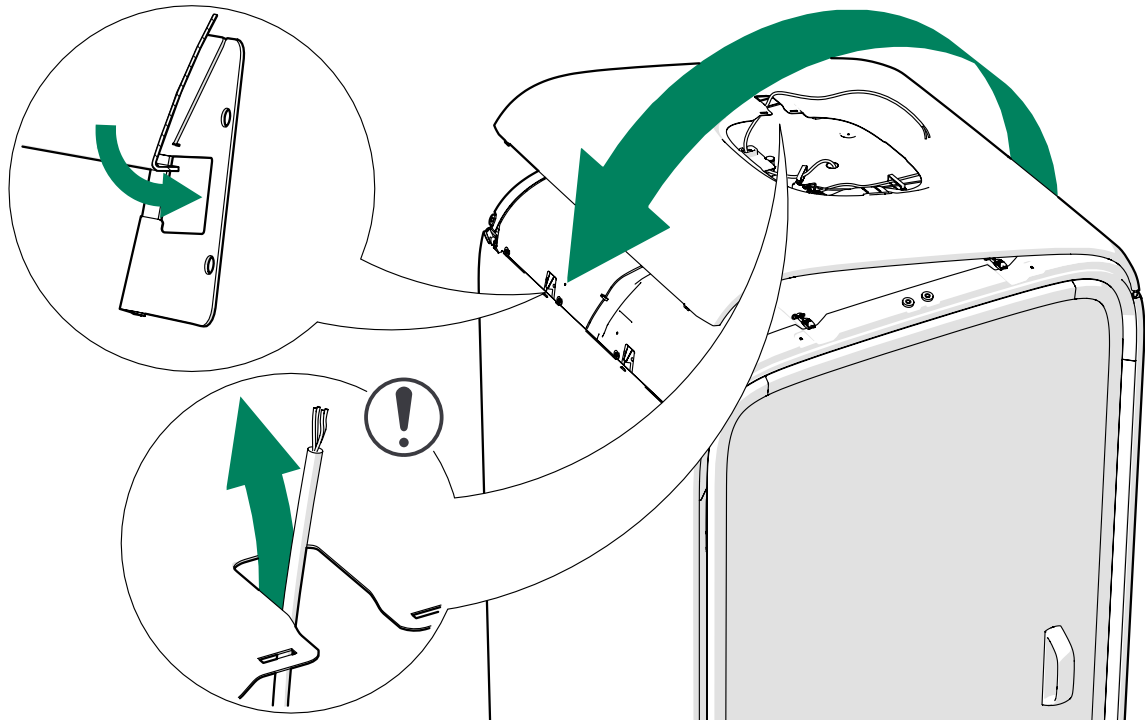
10. Route the cord through the cable clamp and strain relief.

⚠ **Note:** If required in your jurisdiction, rigid or flexible conduit can be run through the ceiling and attached to the back of junction box.

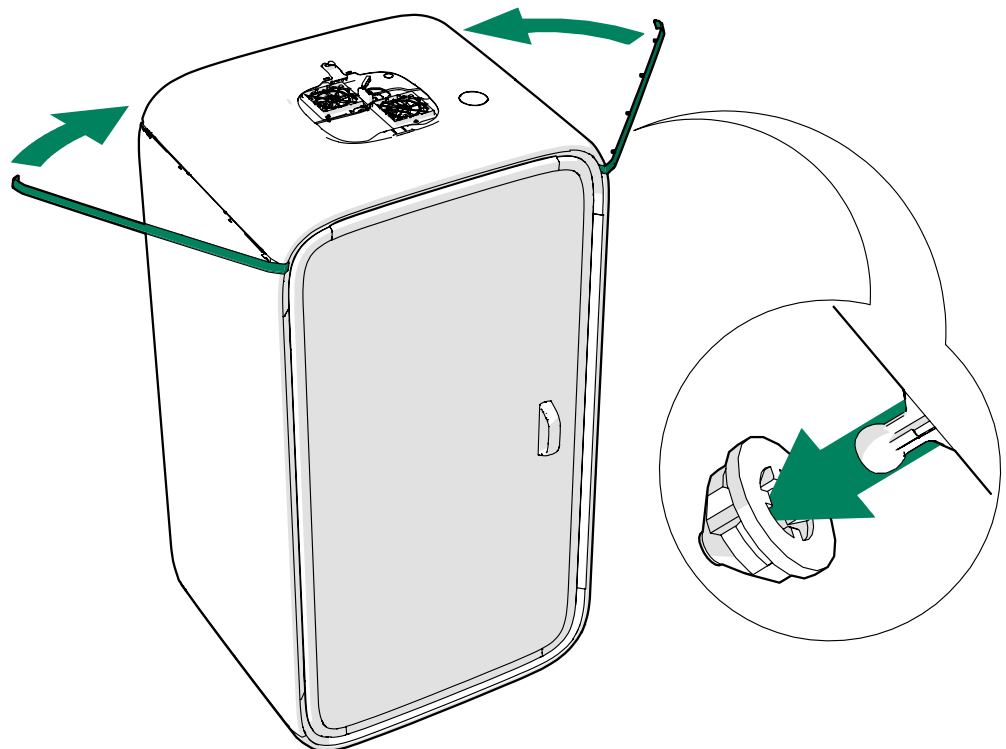


11. Install the roof body cover.

- ⓘ **Note:** An additional hole needs to be made into the roof body cover to allow for the conduit to pass through and connect to the junction box. The size of the hole depends on the conduit used.
- ⓘ **Note:** Guide the cord of the alarm device out of the cut in the body cover. Make sure that the cord is not damaged during the installation.



12. Install the plastic trims.



13. Install the fan cover.

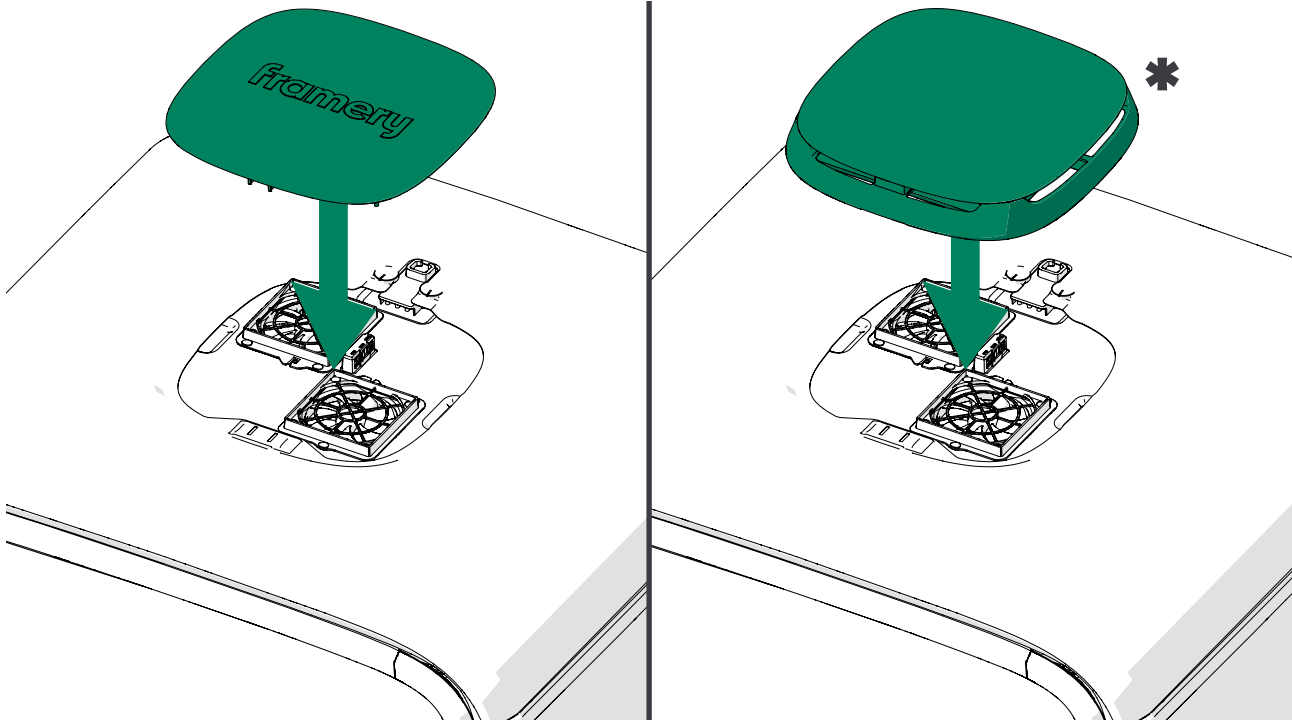


Figure 6: * = With optional filter

5 Install a fire alarm notification device (strobe, strobe-horn, speaker, speaker-strobe) (older pods with no junction box)

The instructions in this section only apply to pods that do not have a junction box.

⚠ DANGER: Always disconnect the pod from the power outlet before you begin disassembly, maintenance, moving, or any other procedure.

1. Remove the fan cover.

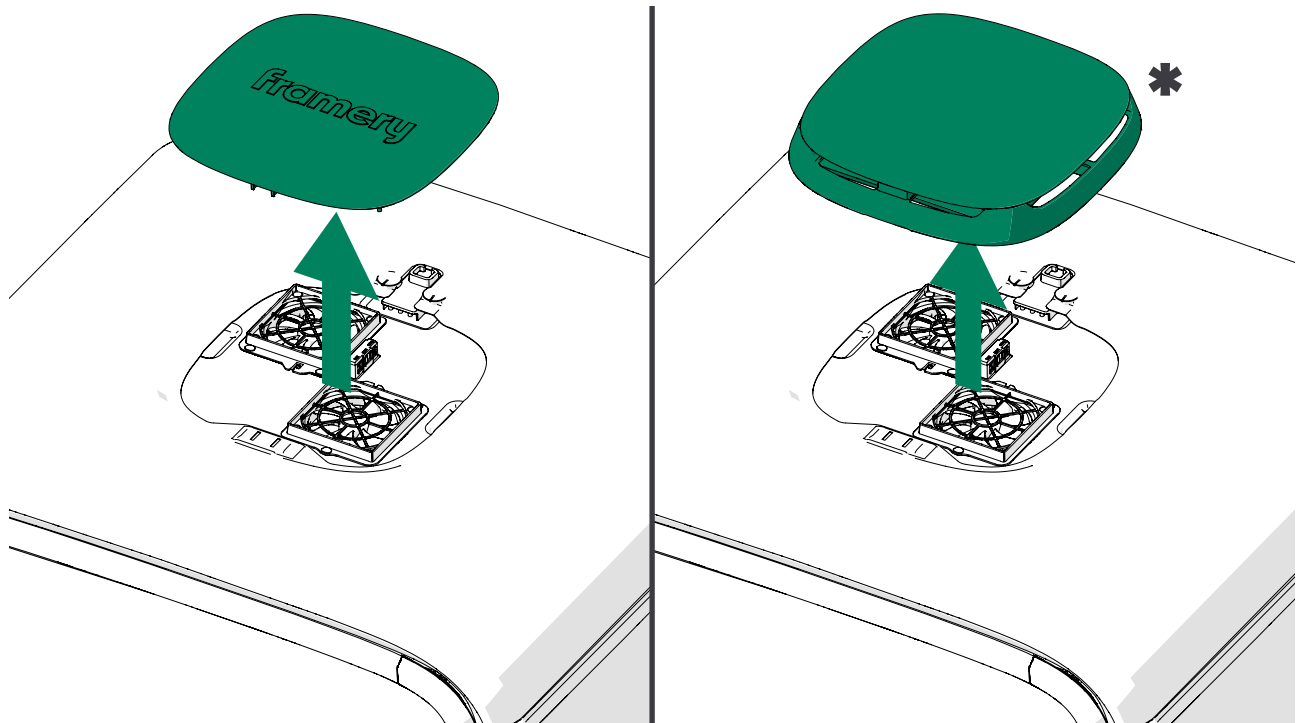
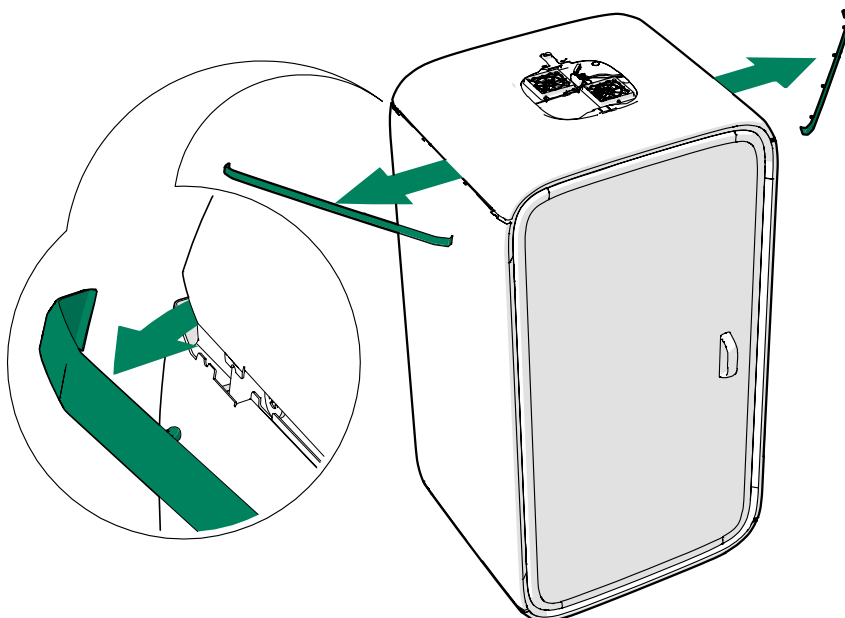
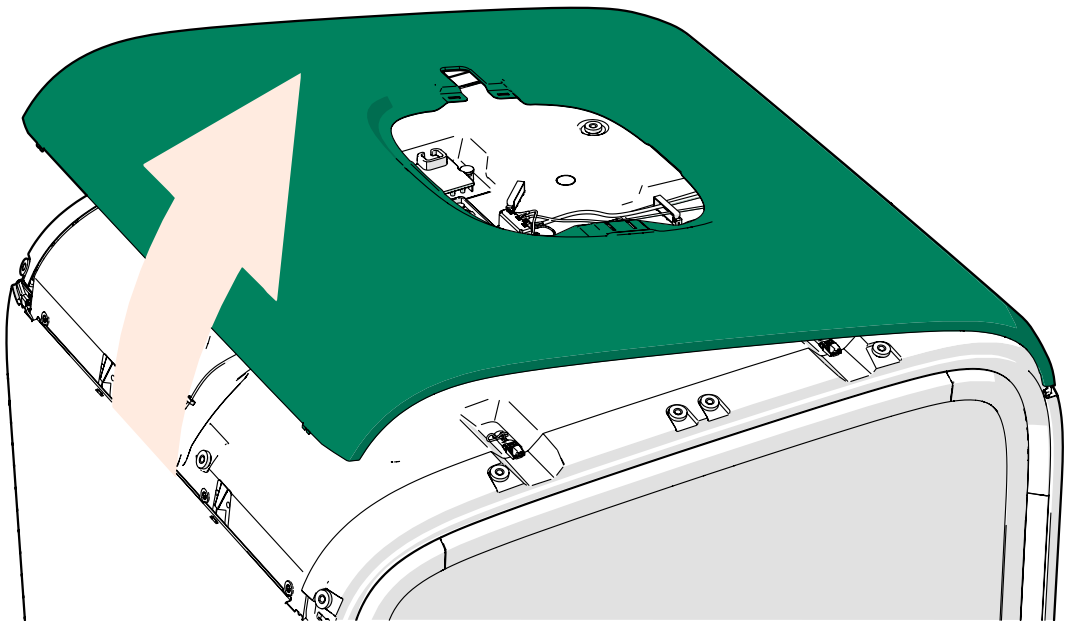


Figure 7: * = With optional filter

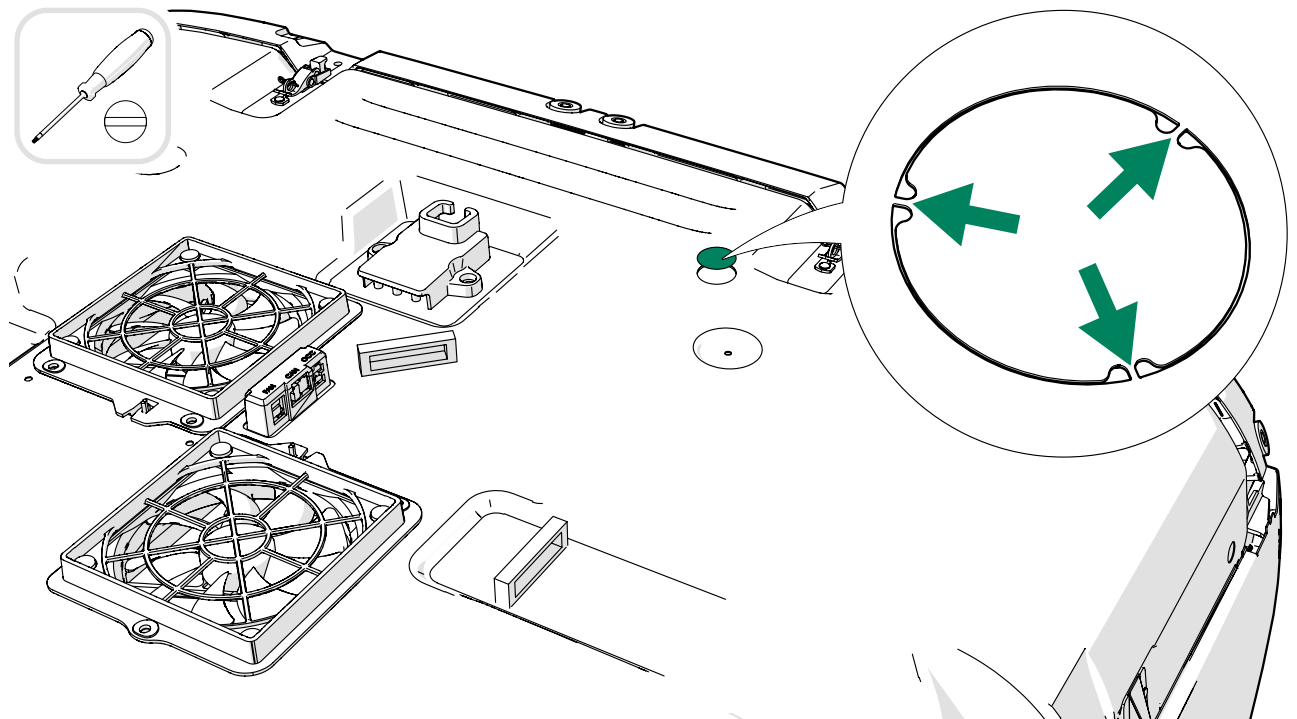
2. Remove the plastic trims.



3. Remove the roof body cover.

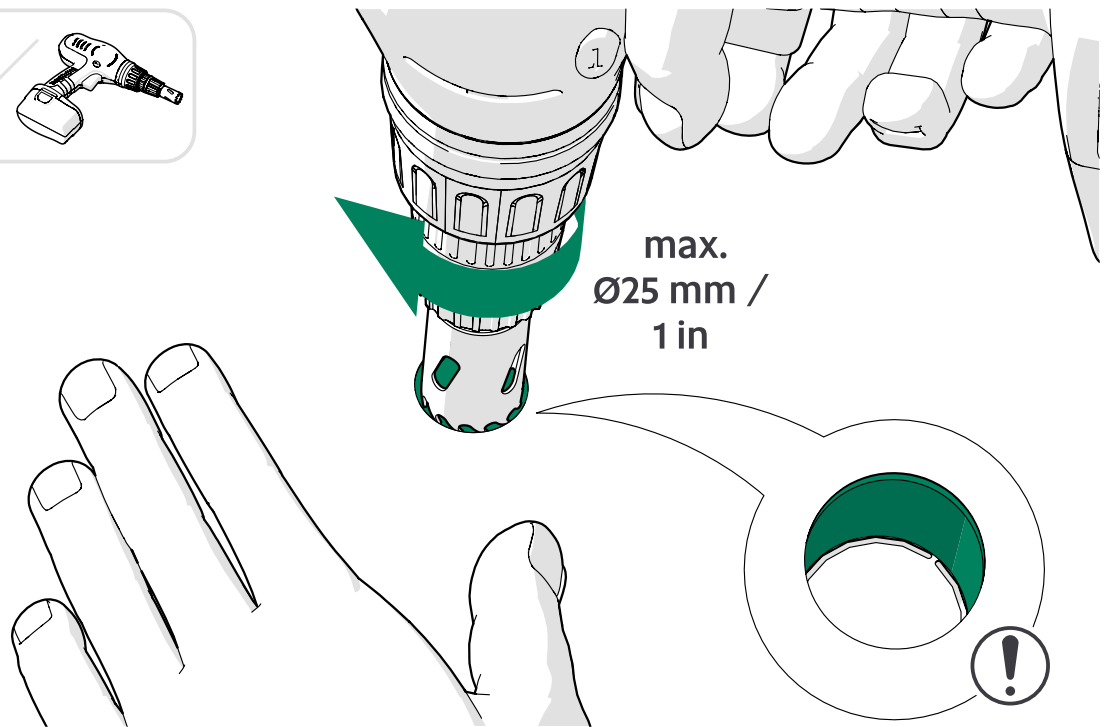
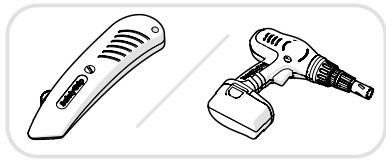


4. Punch out the precut flap on the roof. Use a screwdriver.

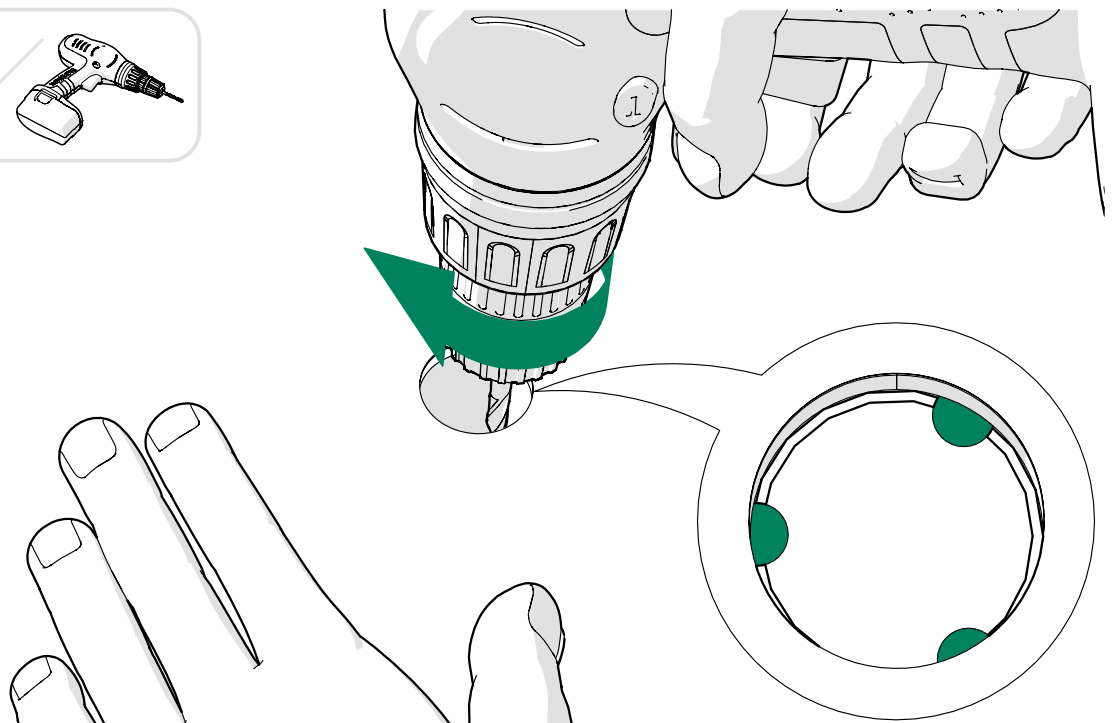
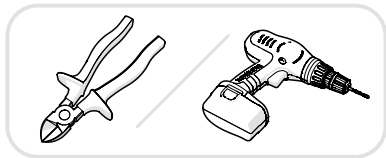


5. Cut away the acoustic material. Use a utility knife or a hole saw.

⚠ **Note:** Do not cut through the roof.

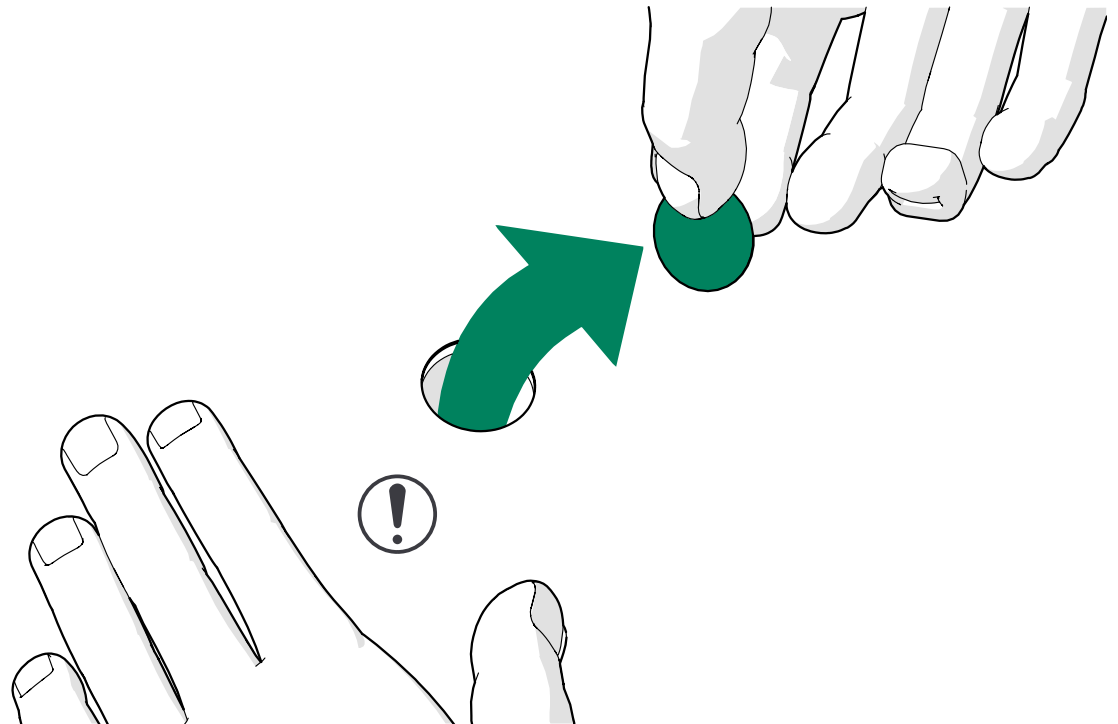


6. Cut away the second flap on the roof under the acoustic material. Use side cutters or a drill.

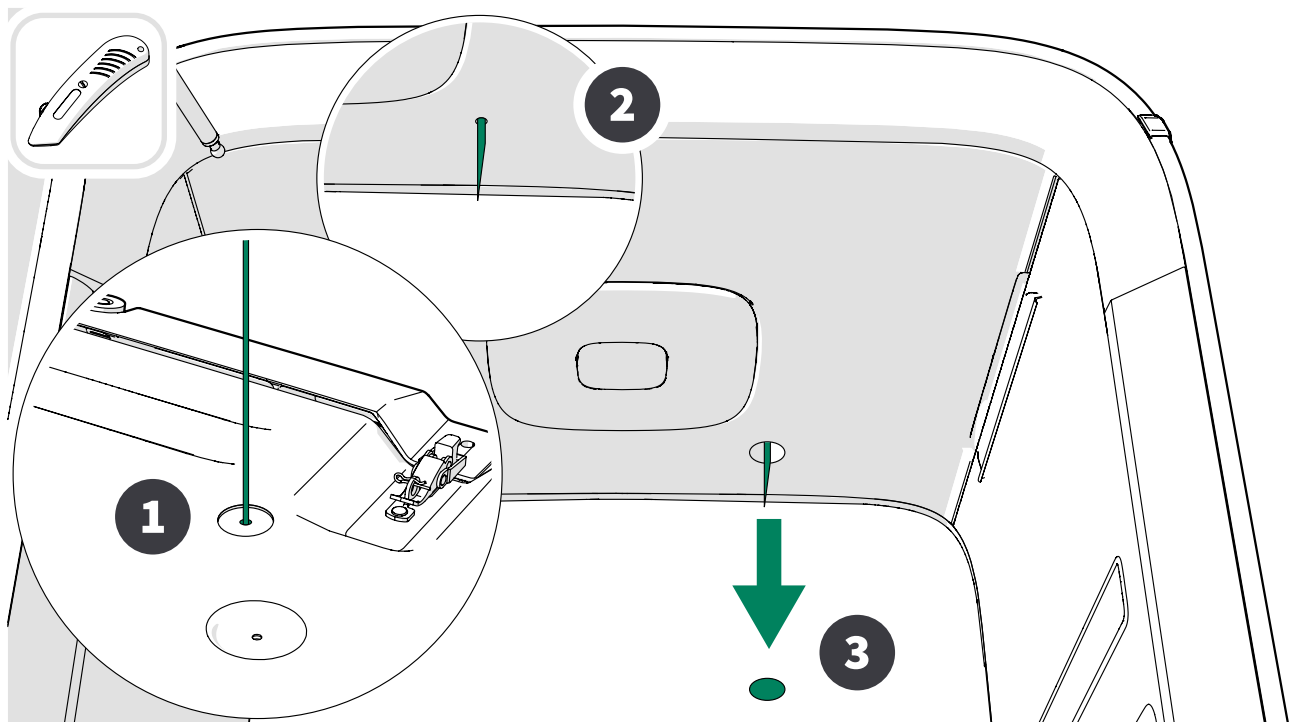


7. Remove the flap.

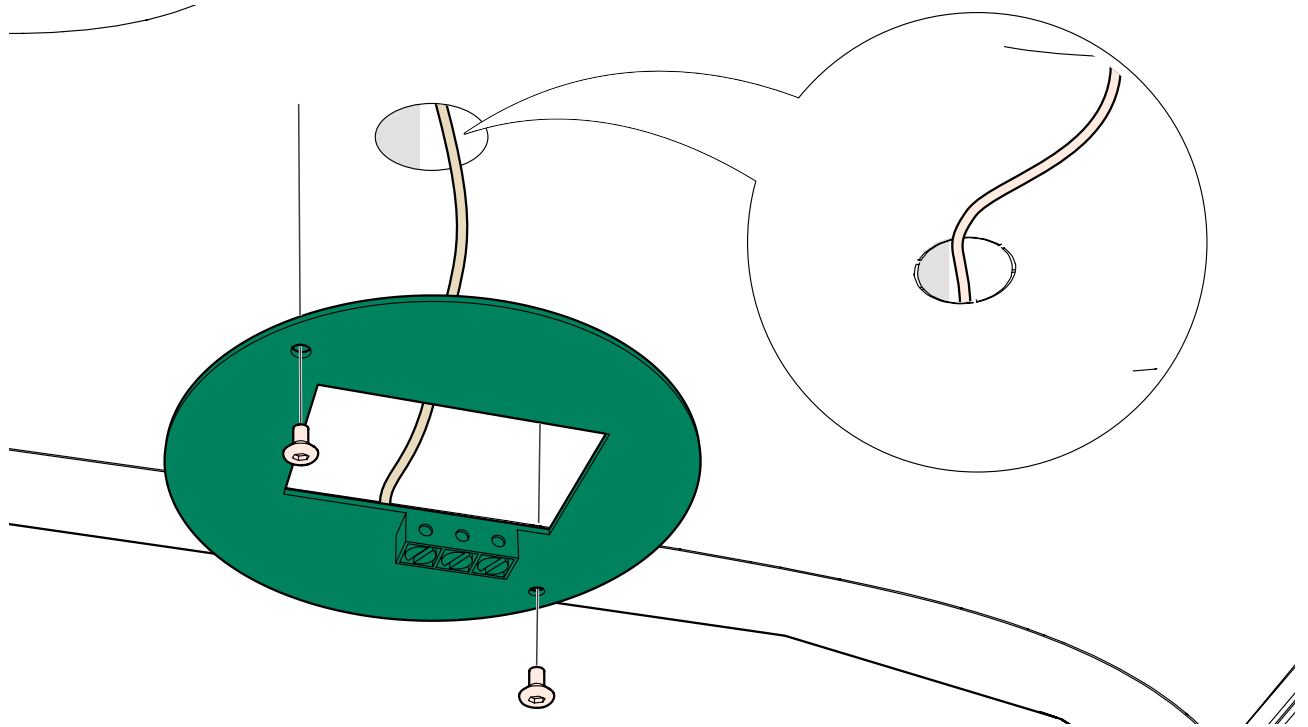
⚠ **Note:** If you cannot remove the flap from outside, remove it from the roof from inside.



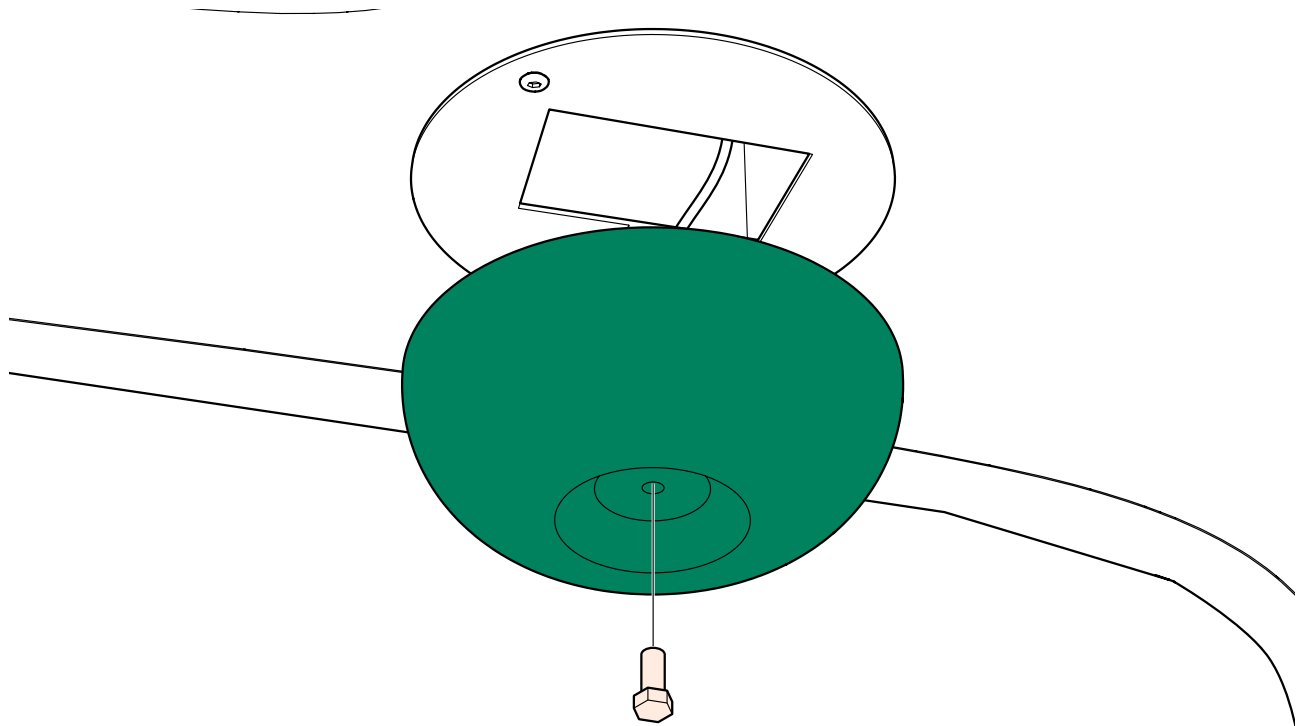
8. Use a longer drill bit or anything sharp to punch through from the middle of the hole to the ceiling panel. Cut away the required area from the ceiling panel with a utility knife. Use the base of the wired alarm device as reference.



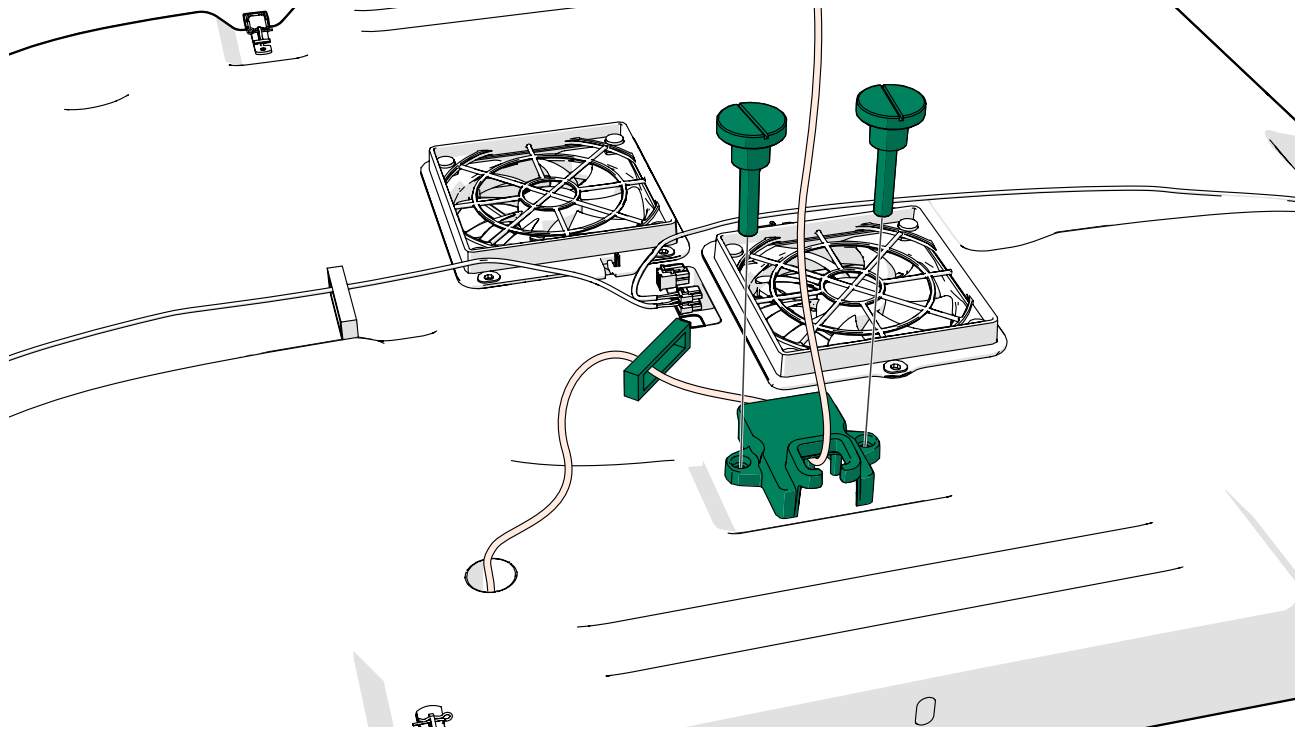
9. Install the base of the wired alarm device to the ceiling panel with two screws.



10. Push the power cord of the wired alarm device through the hole to the roof.
11. Install the alarm device to the base. Follow the manufacturer's instructions.



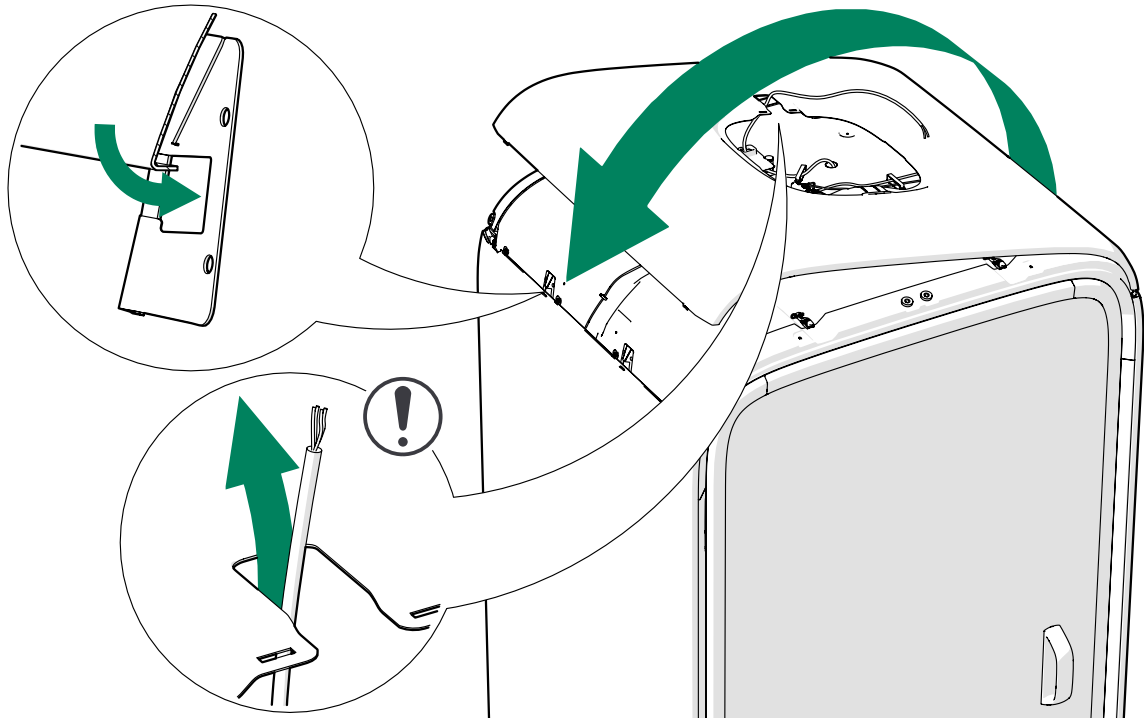
12. Route the cord through the cable clamp and strain relief.



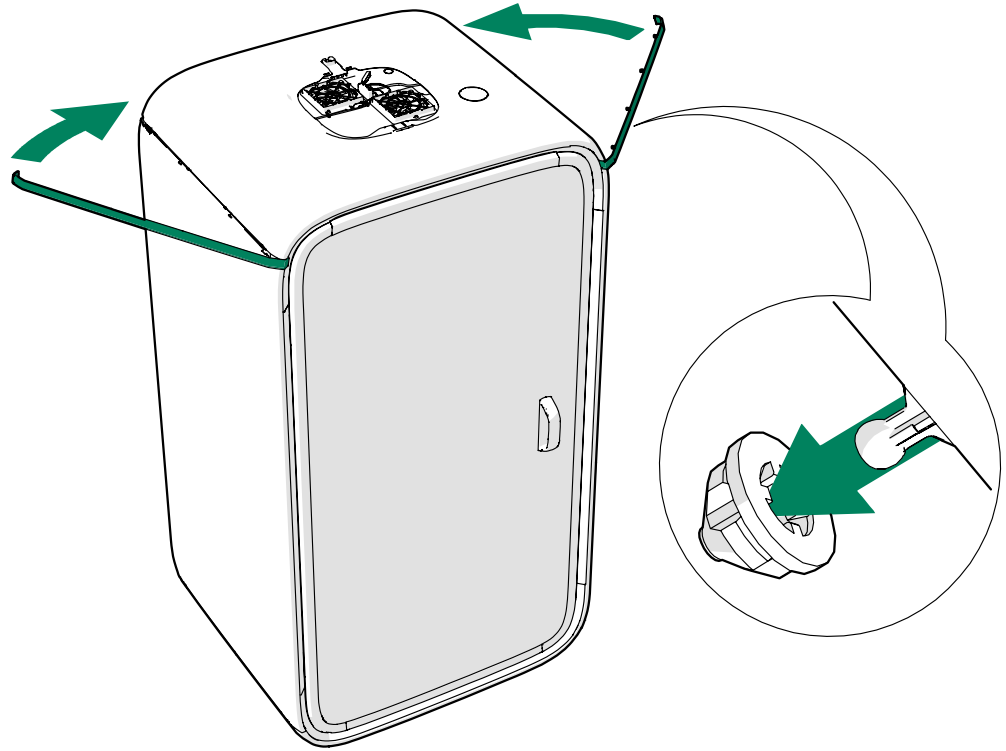
13. Install the roof body cover.



Note: Guide the cord of the alarm device out of the cut in the body cover. Make sure that the cord is not damaged during the installation.



14. Install the plastic trims.



15. Install the fan cover.

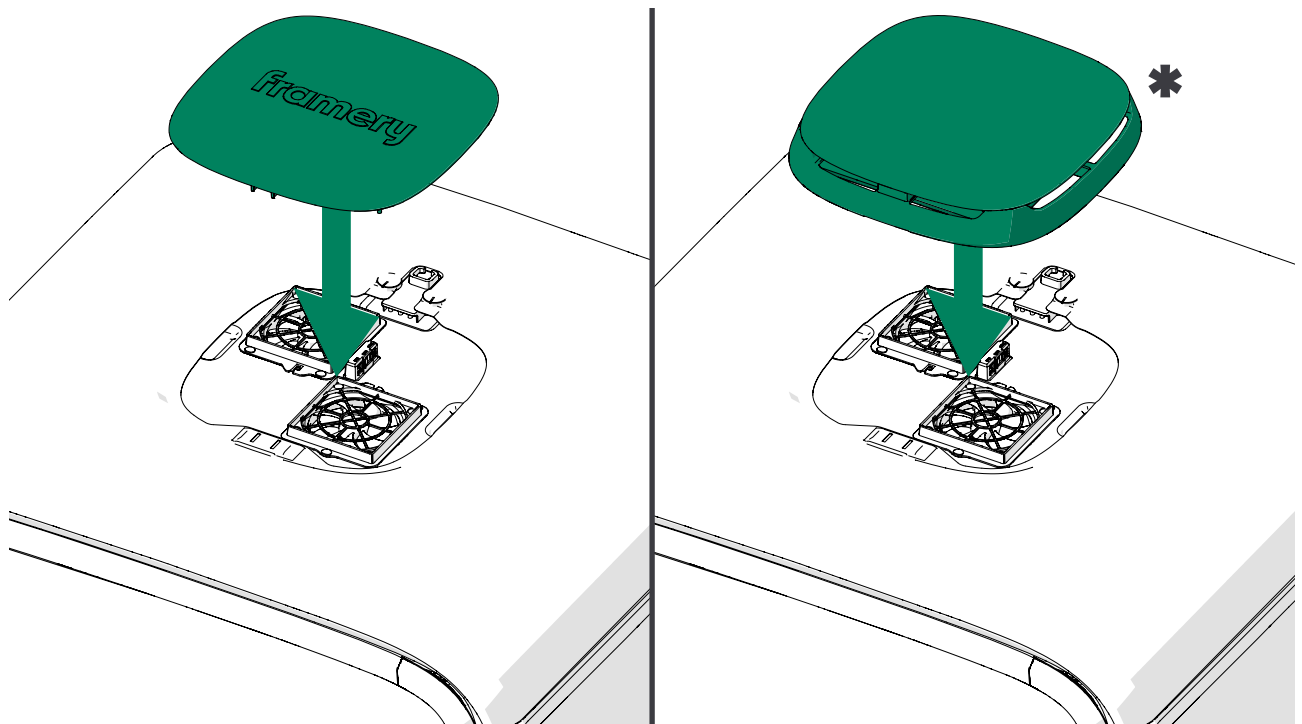


Figure 8: * = With optional filter

6 Install a fire suppression device (sprinkler / cease fire)

⚠ DANGER: Always disconnect the pod from the power outlet before you begin disassembly, maintenance, moving, or any other procedure.

1. Remove the fan cover.

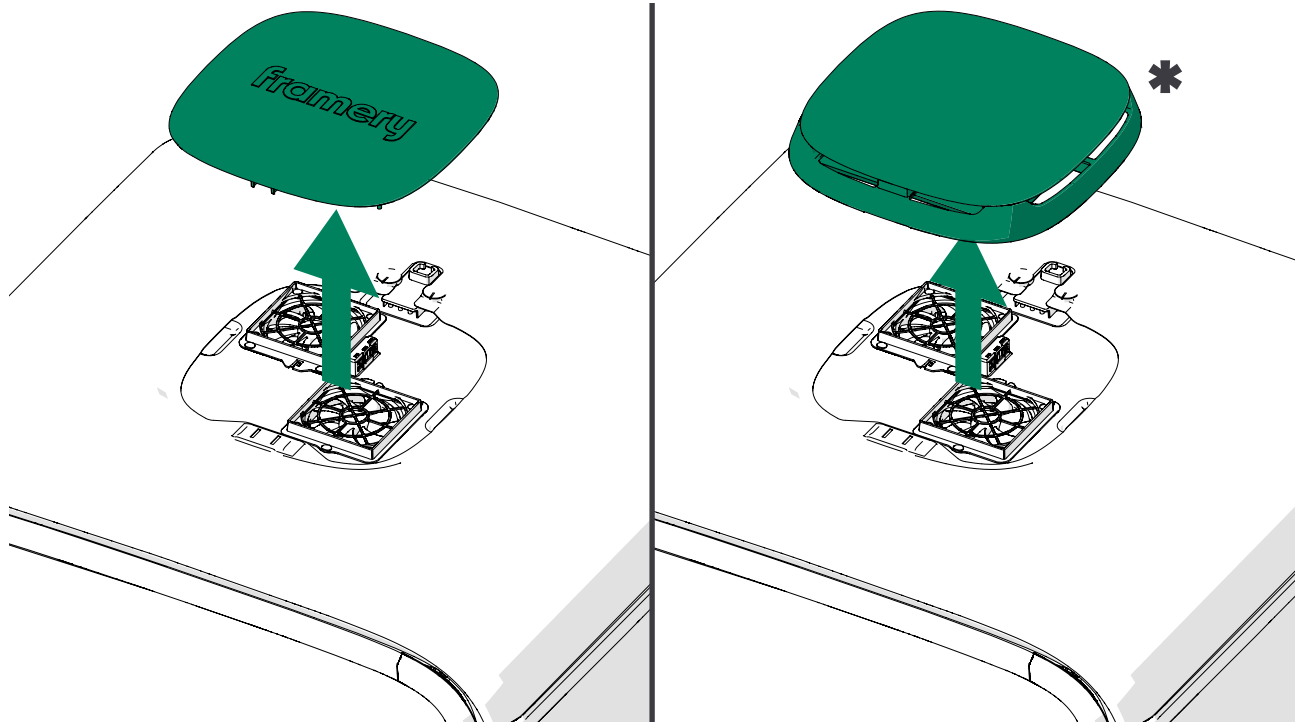
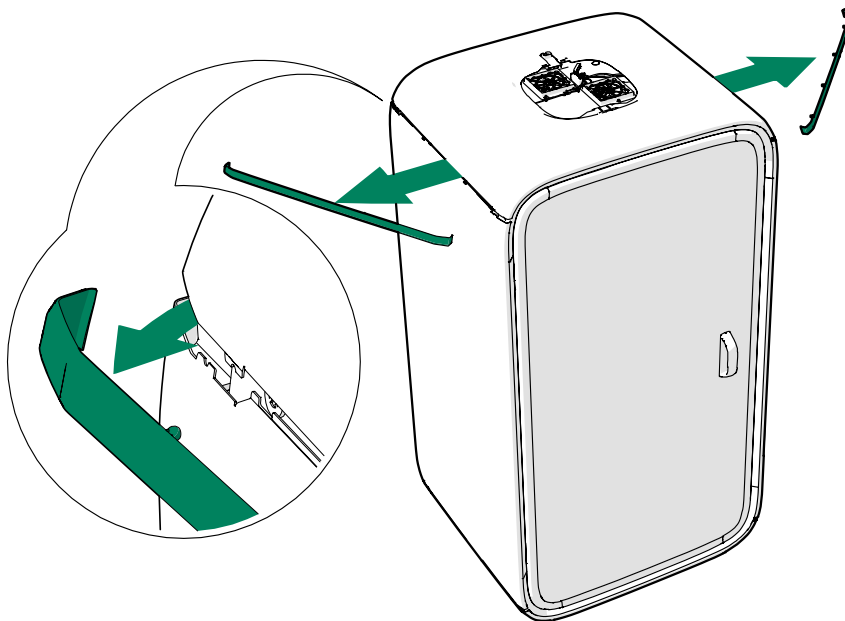
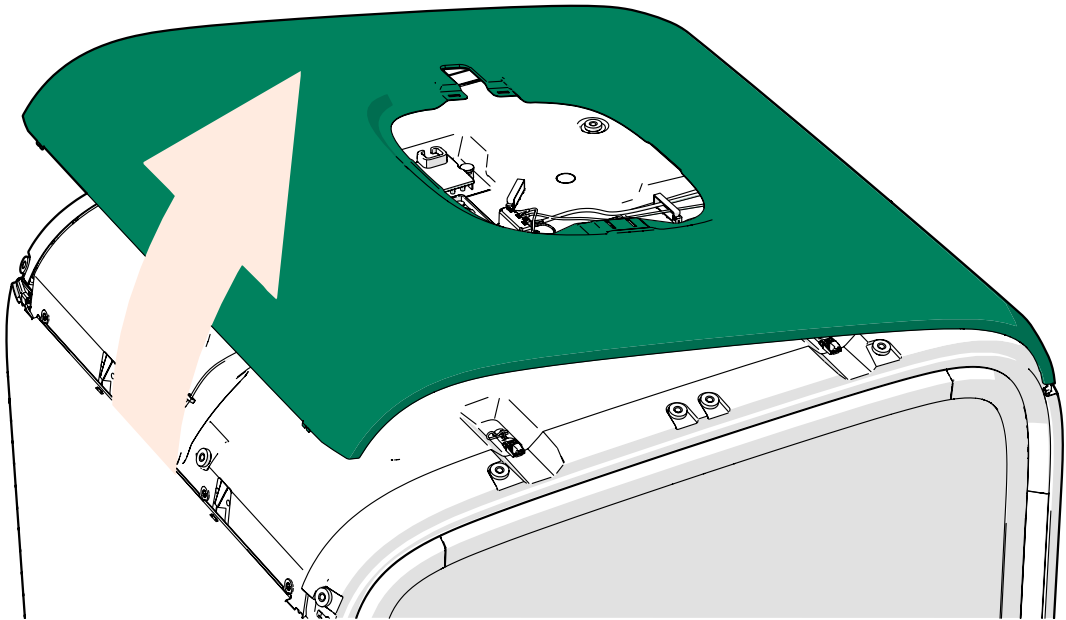


Figure 9: * = With optional filter

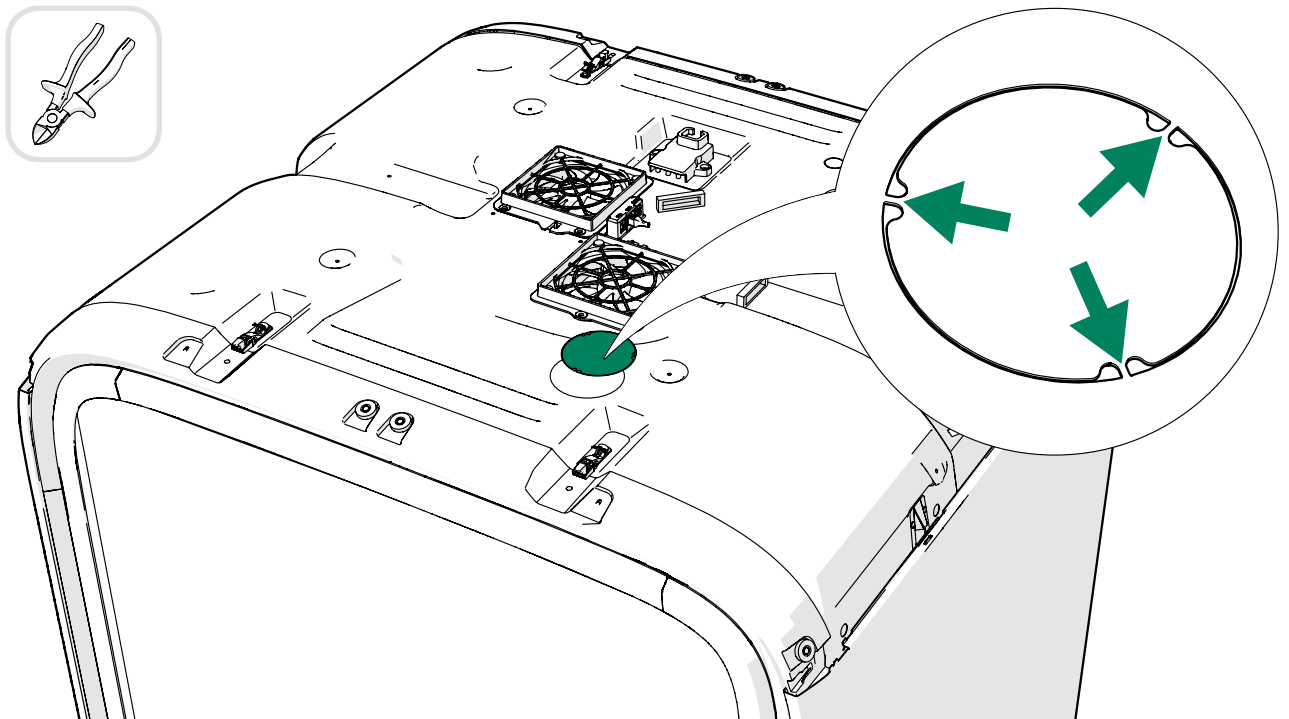
2. Remove the plastic trims.



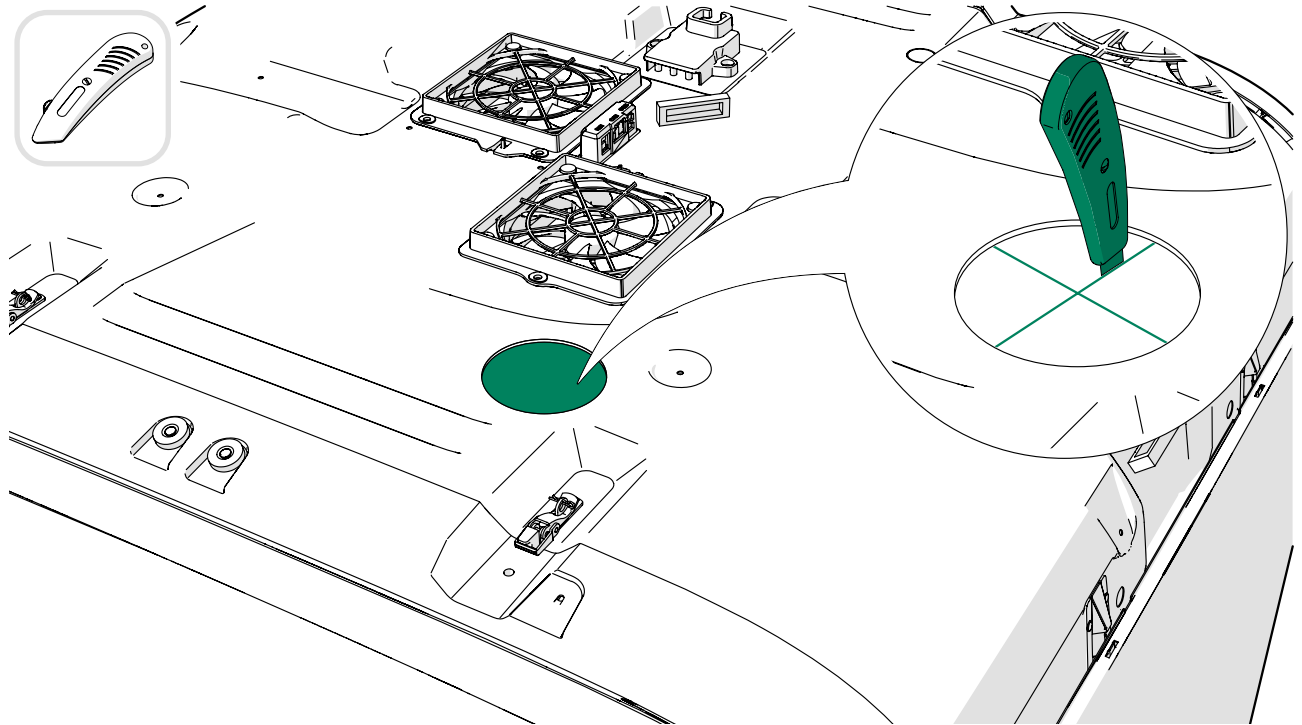
3. Remove the roof body cover.



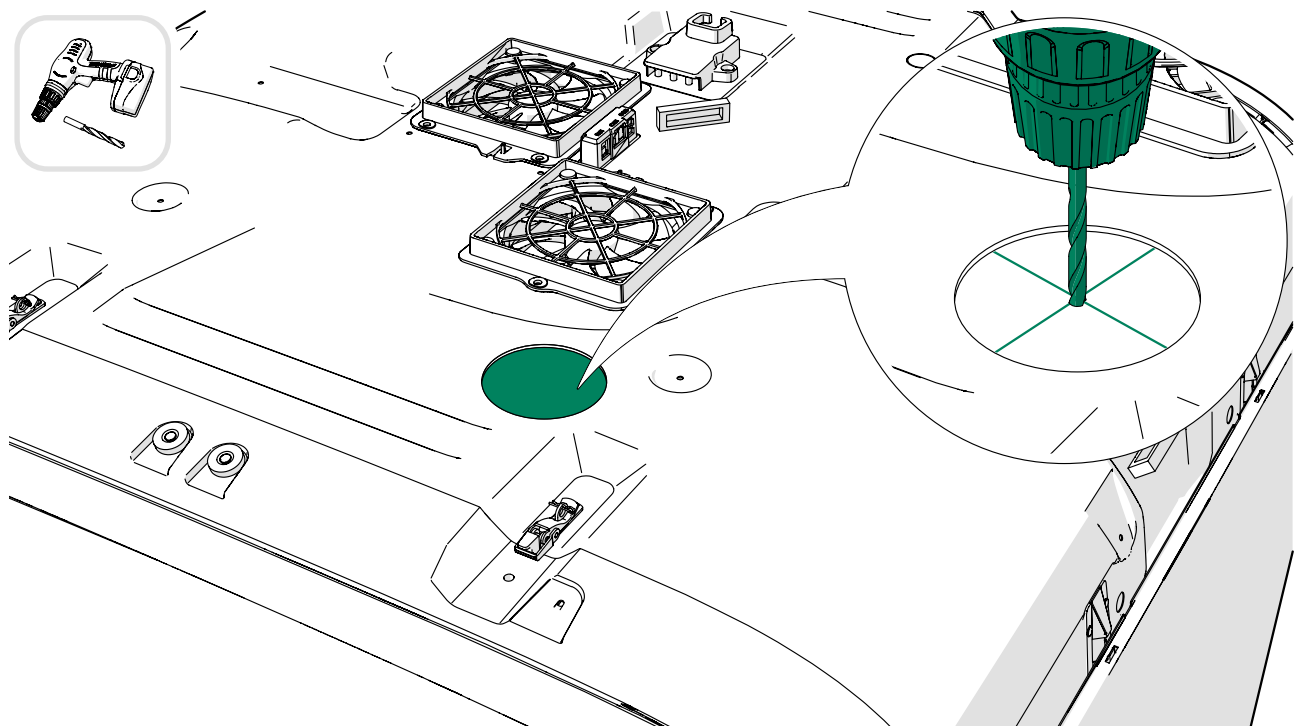
4. Remove the precut flap from the roof.



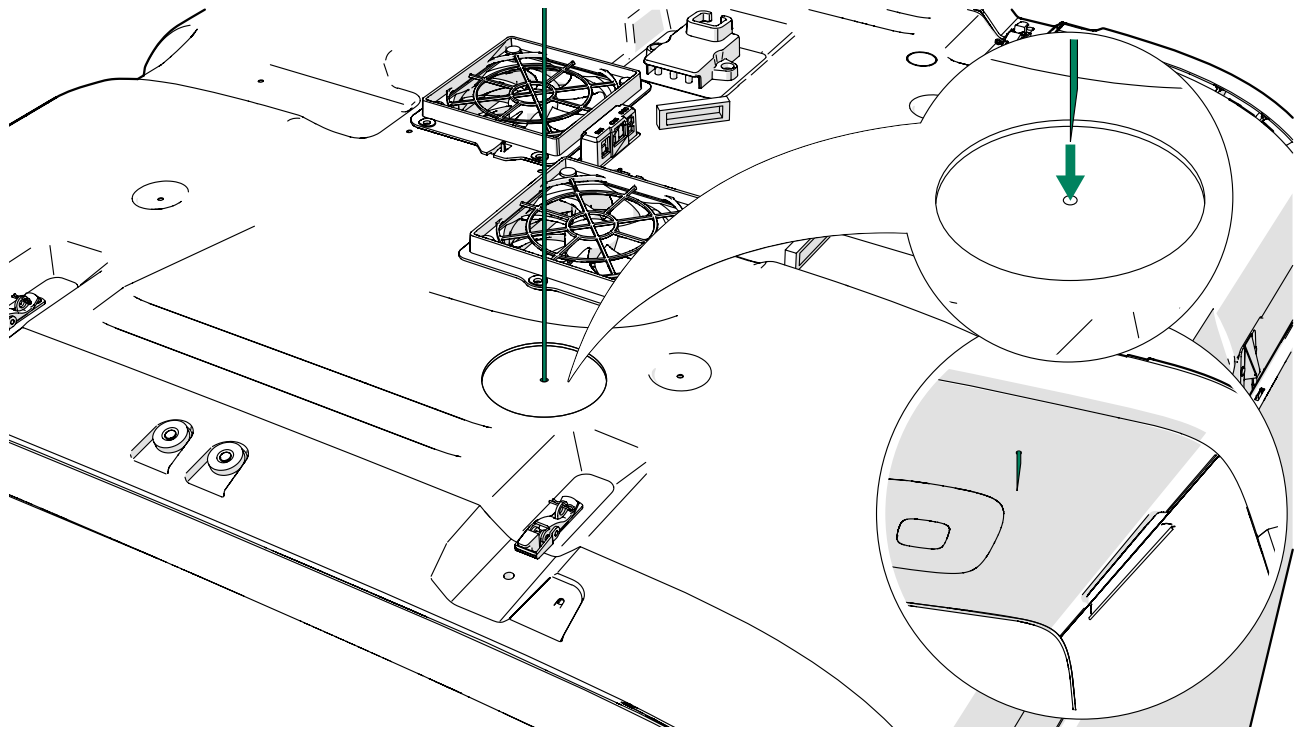
5. Cut an "X" shape into the acoustic material.



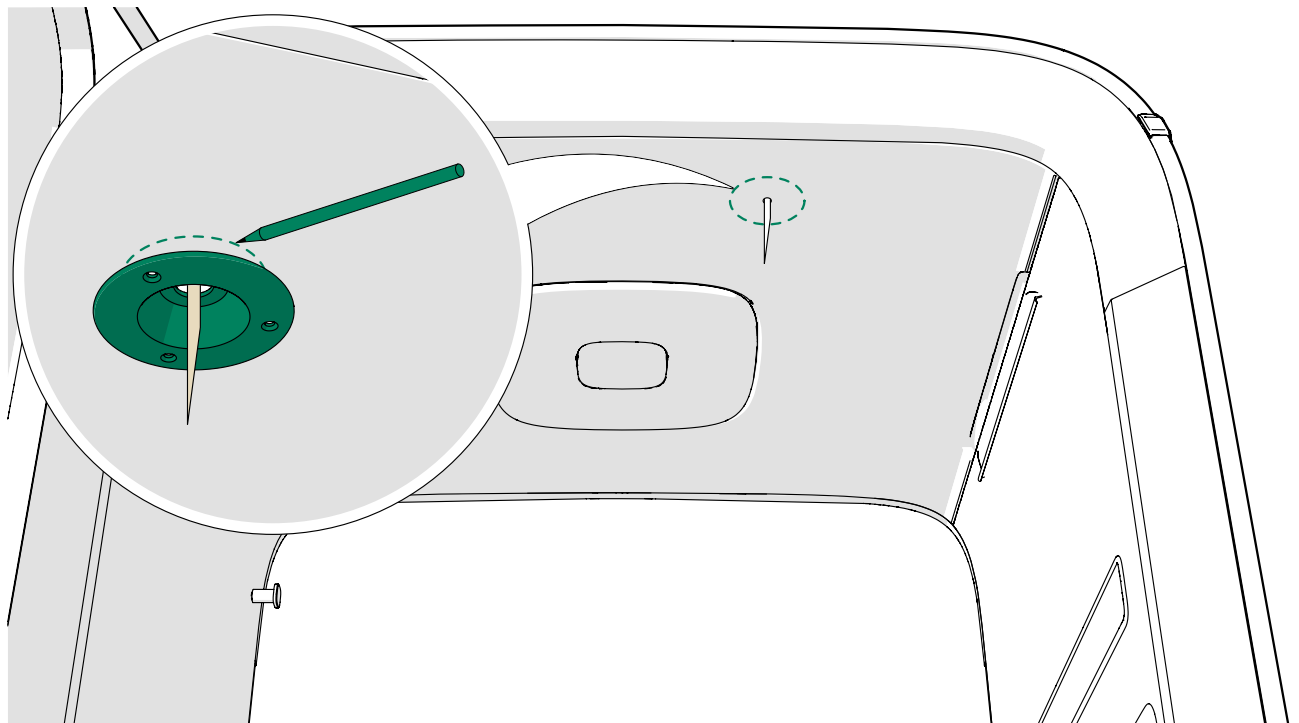
6. Drill a hole from the middle of the "X" through to the precut flap under the acoustic material.



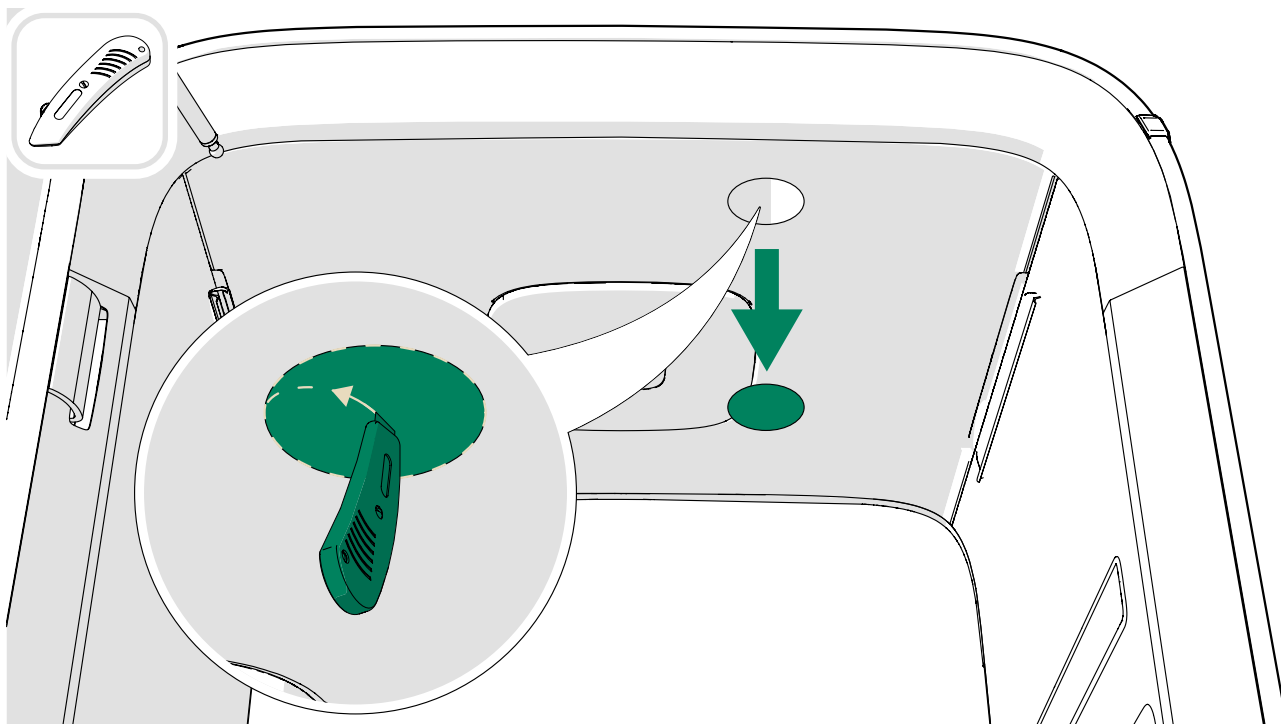
7. Use a longer drill bit or anything sharp to punch through from the middle of the hole to the ceiling panel.



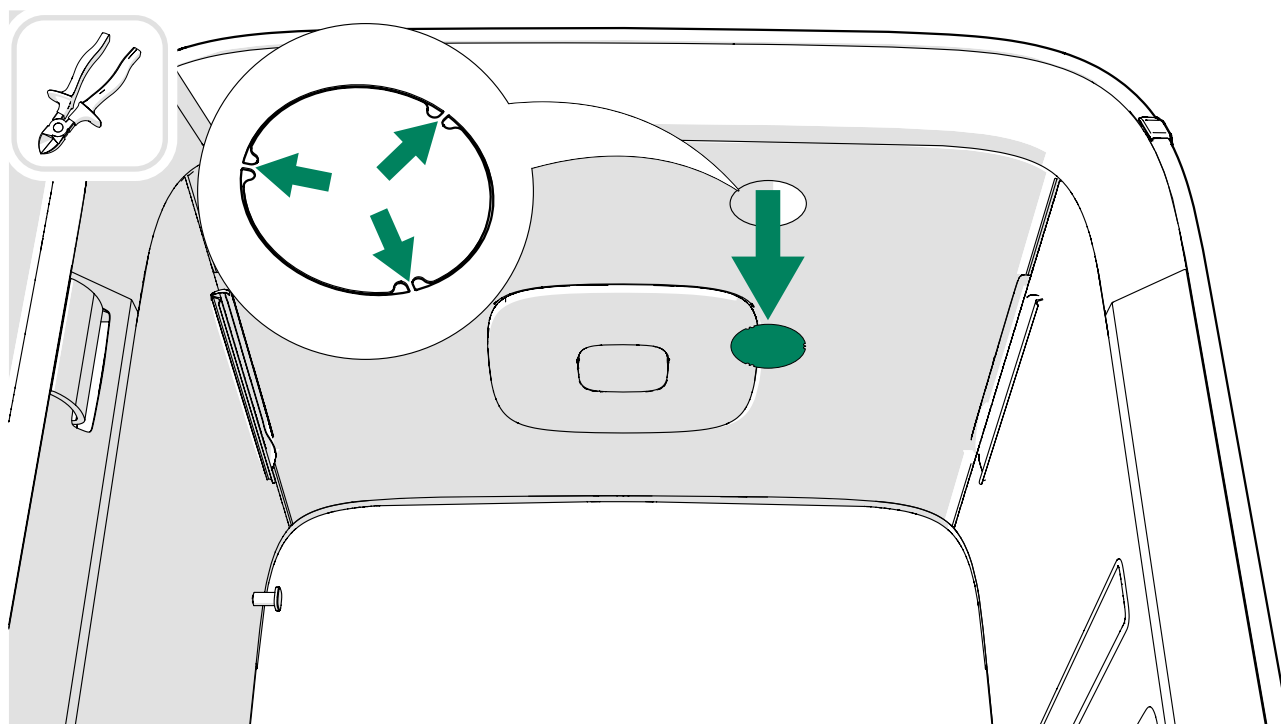
8. Draw the cut line to the ceiling panel. Use the sprinkler cover as a drawing guide.



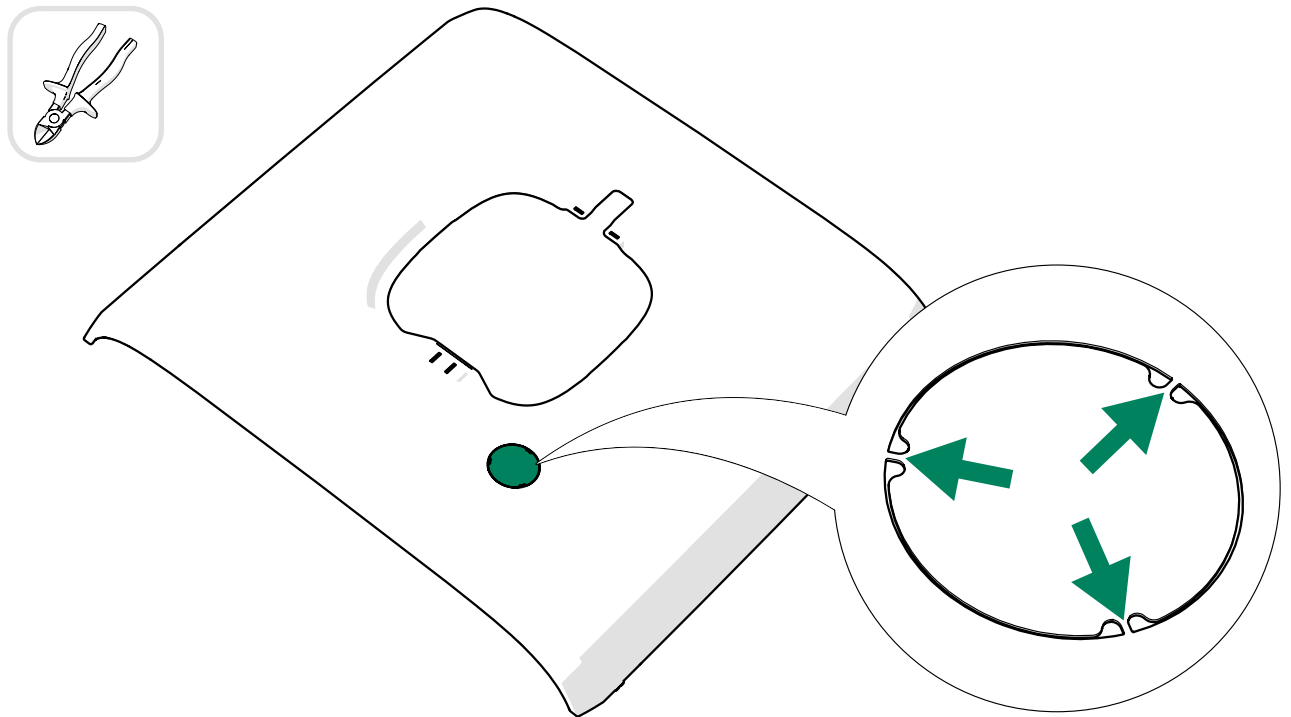
9. Cut away the marked area from the ceiling panel. Use a utility knife.



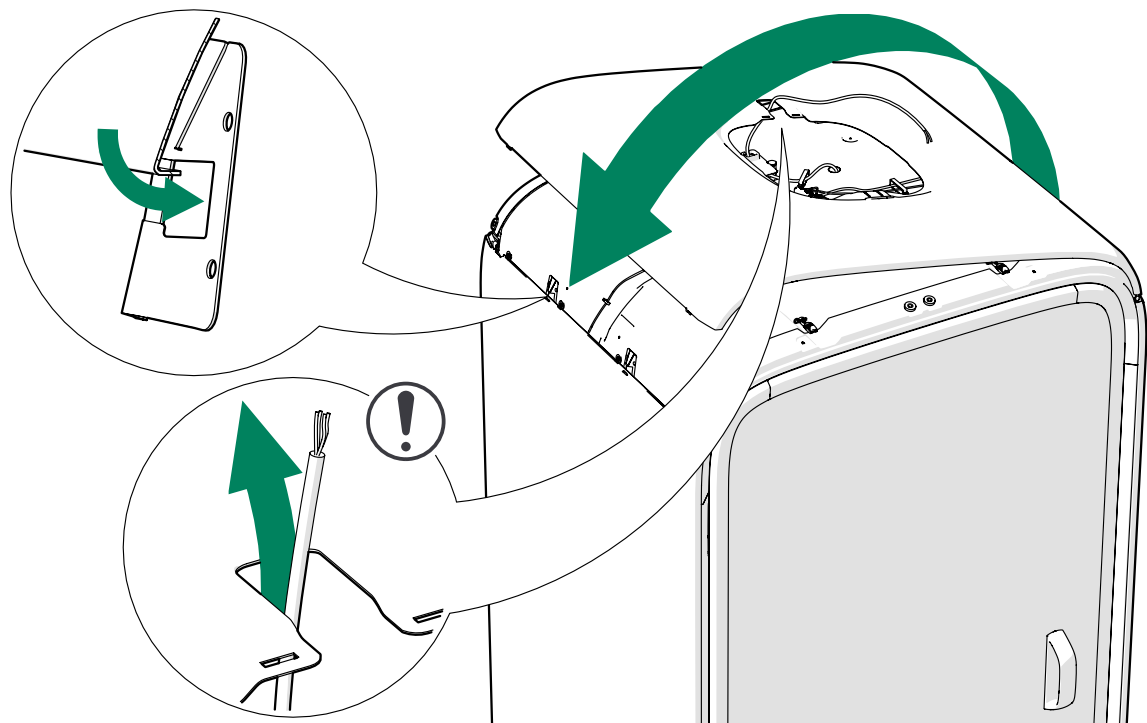
10. Remove the second precut flap from the roof. Be careful not to tear the ceiling panel fabric around the hole.



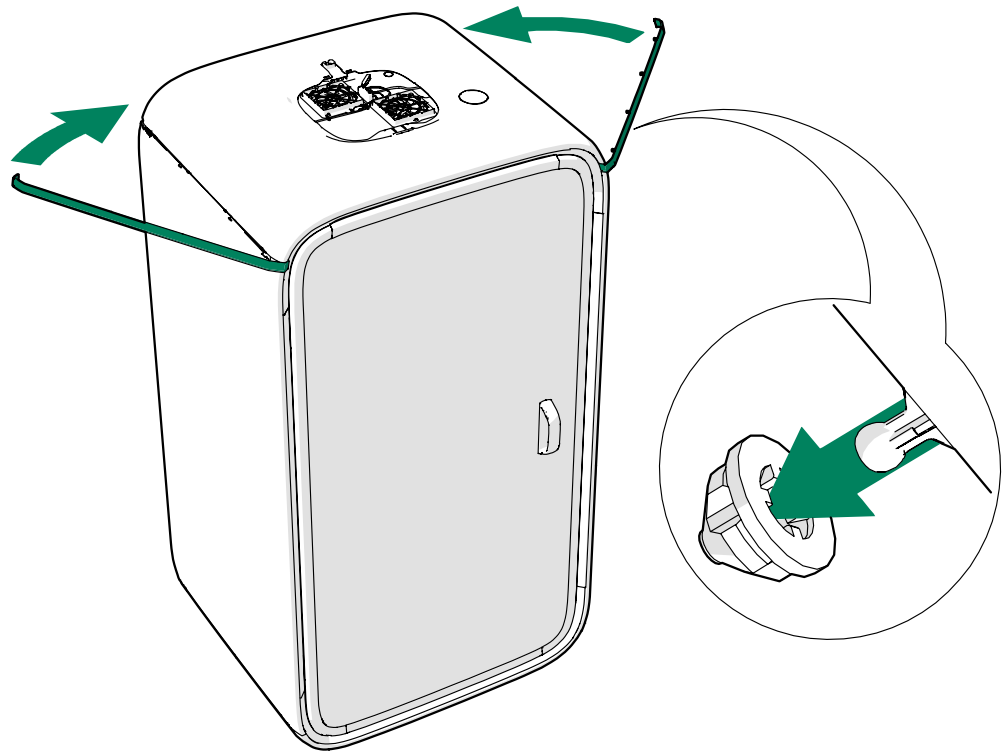
11. Cut away the flap on the roof body cover. Use side cutters.



12. Install the roof body cover.



13. Install the plastic trims.



14. Install the fan cover.

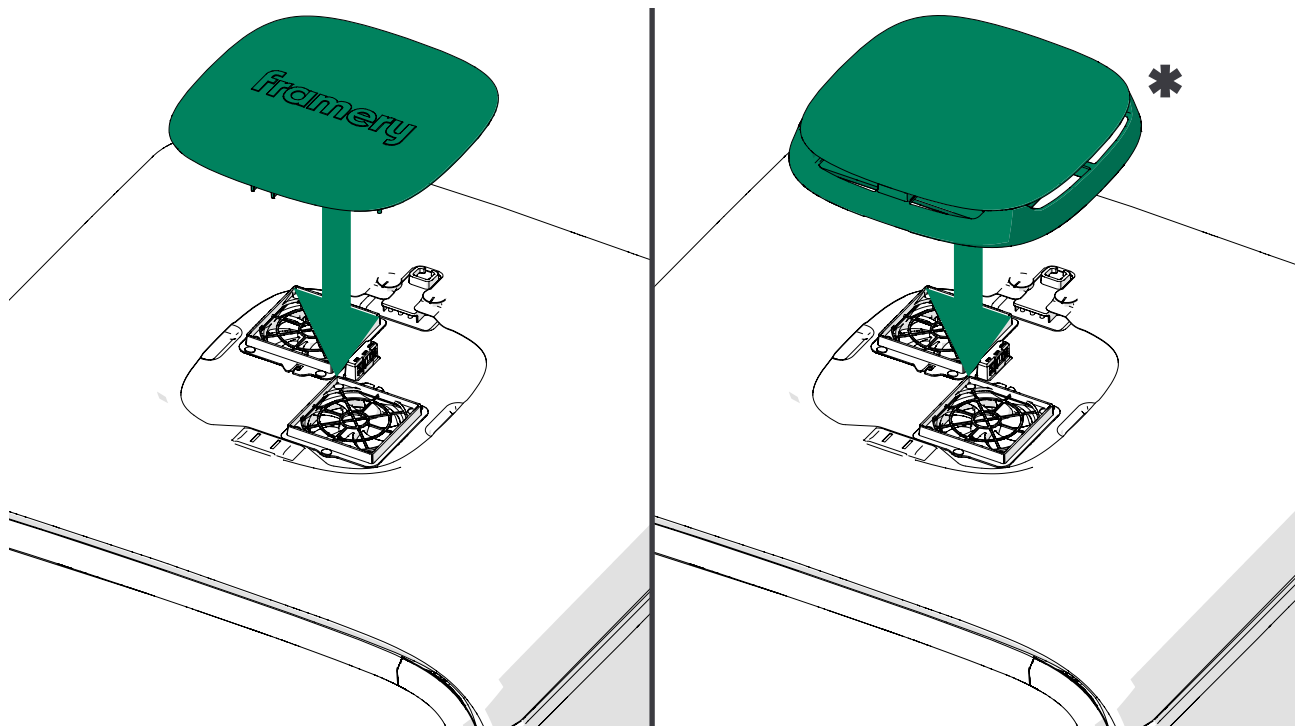
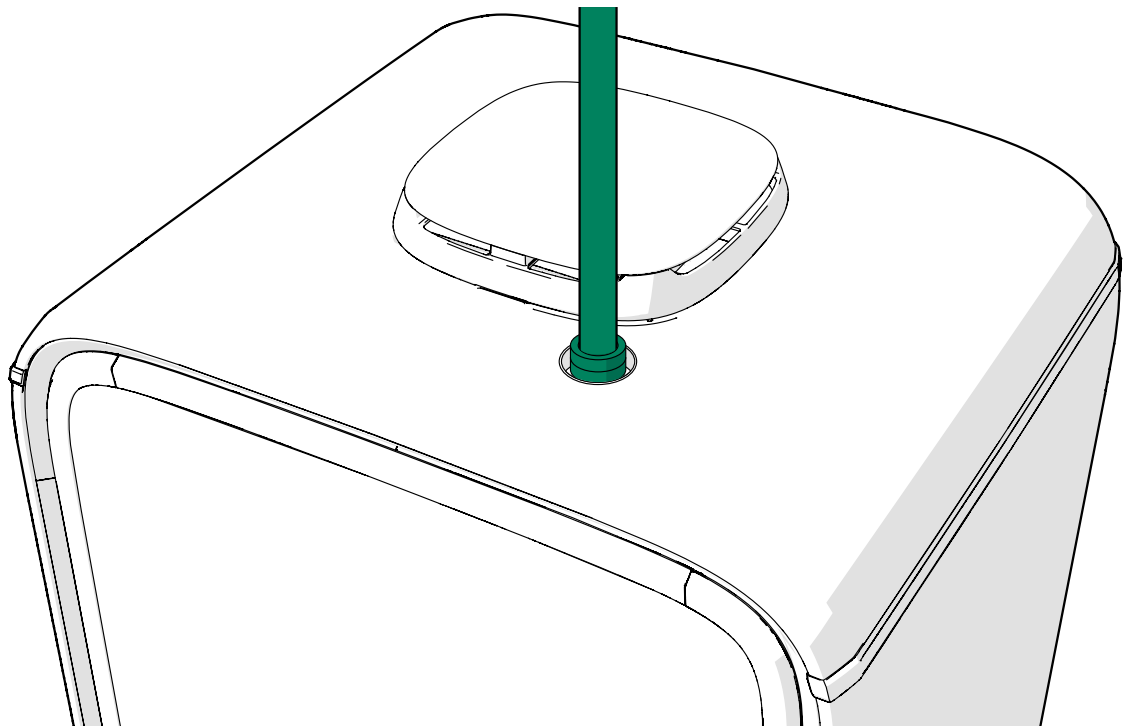


Figure 10: * = With optional filter

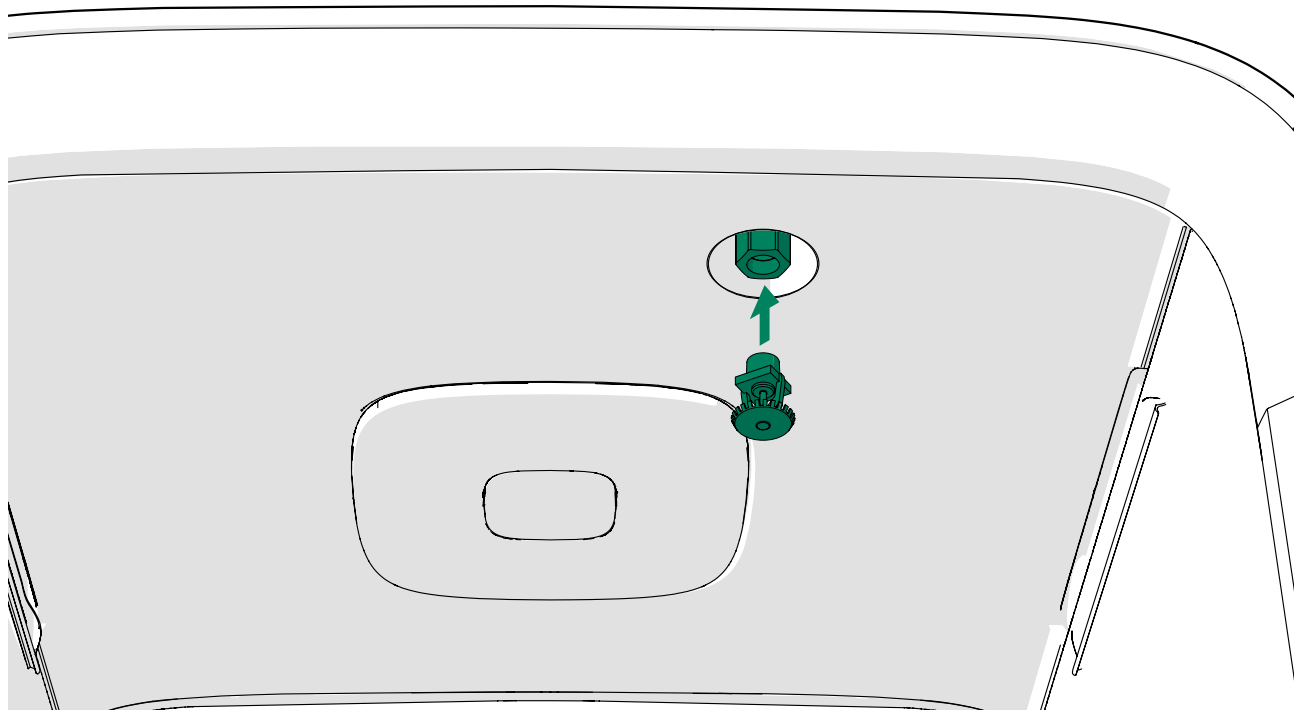
⚠ **Note:** If you are installing a sprinkler system, follow the steps in section 6.1. If you are installing a cease fire unit, follow the steps in section 6.2.

6.1 Install the sprinkler (hard pipe)

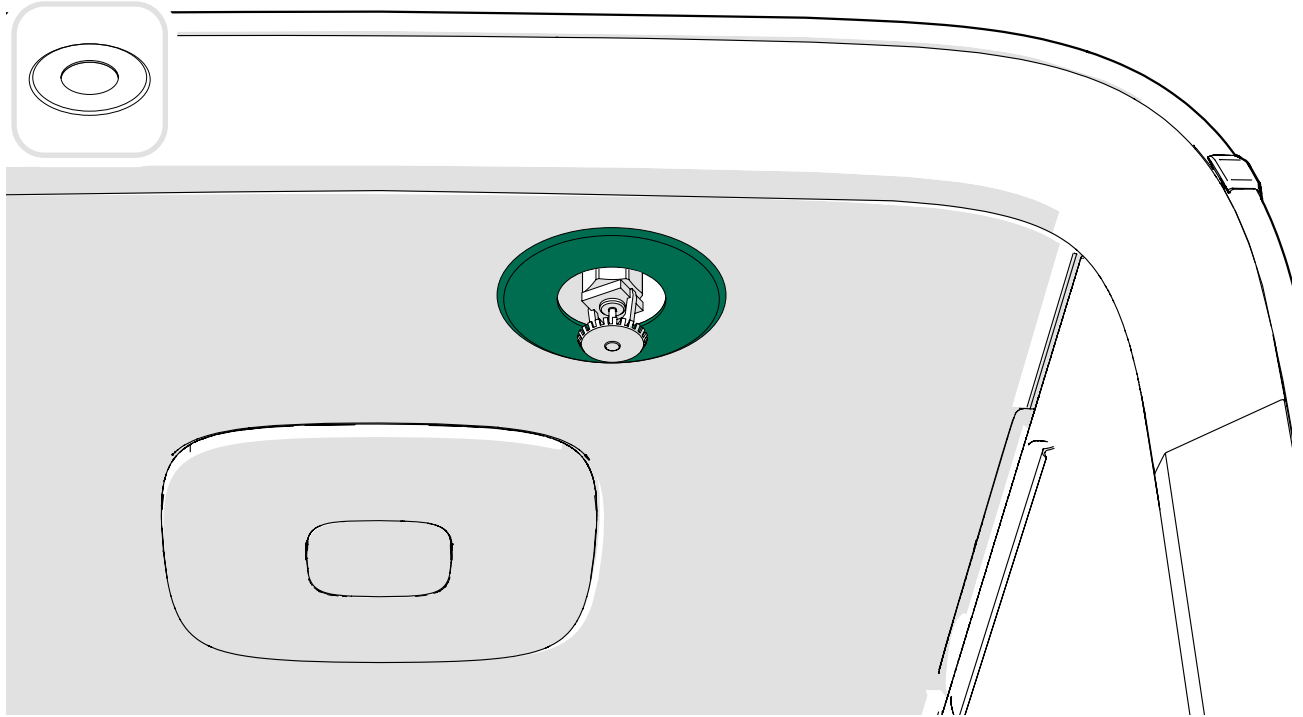
1. Bring the sprinkler hose through the roof.



2. Attach the sprinkler head to the sprinkler hose inside the pod.

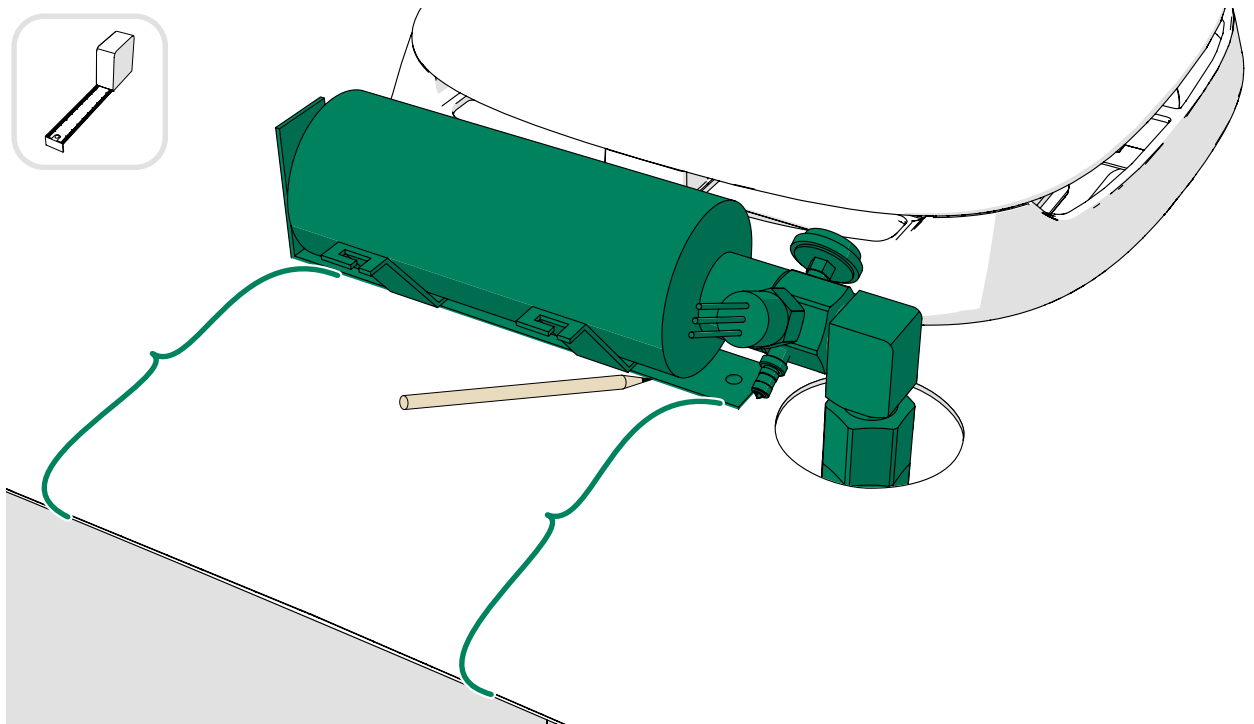


3. Guide the escutcheon (not provided by Framery) around the sprinkler head and attach it to the ceiling.



6.2 Install the cease fire

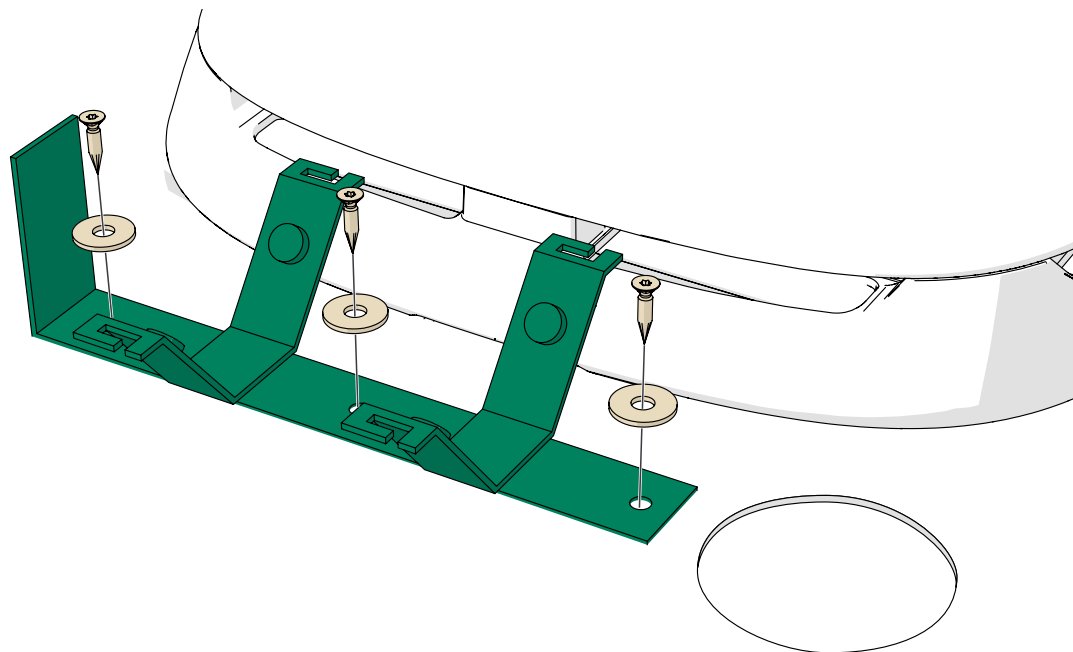
1. Place the cease fire unit on the roof and mark the location for the mounting bracket. Make sure that the cease fire unit is straight (the distance from both ends of the unit to the edge of the roof body cover is the same).



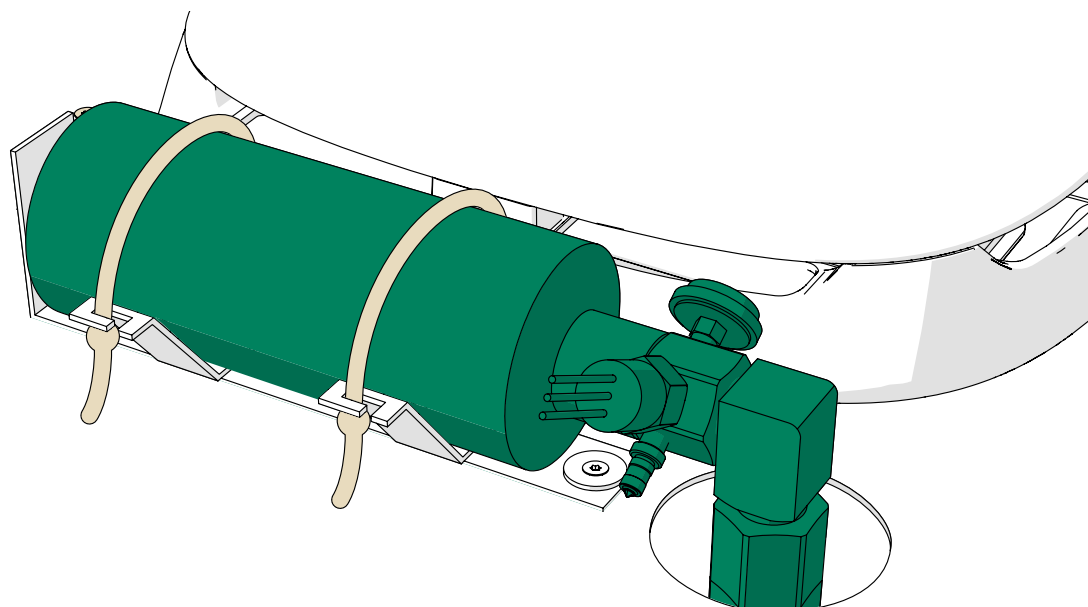
2. Install the mounting bracket onto the roof.



Note: To avoid damaging the roof, do not use the screws that come with the cease fire package. Use shorter screws with a maximum length of 15 mm (0.6 in).



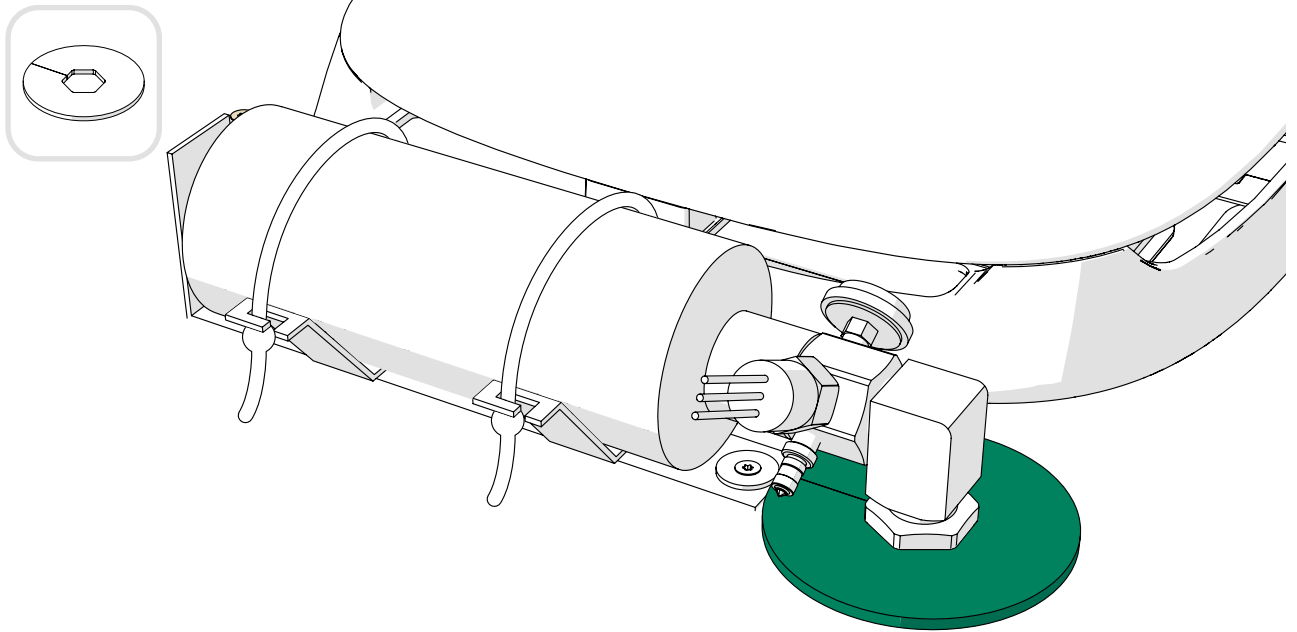
3. Guide the piping into the hole in the roof and place the cylinder onto the mounting bracket. Tighten the rubber bands around the cylinder and secure them in place.



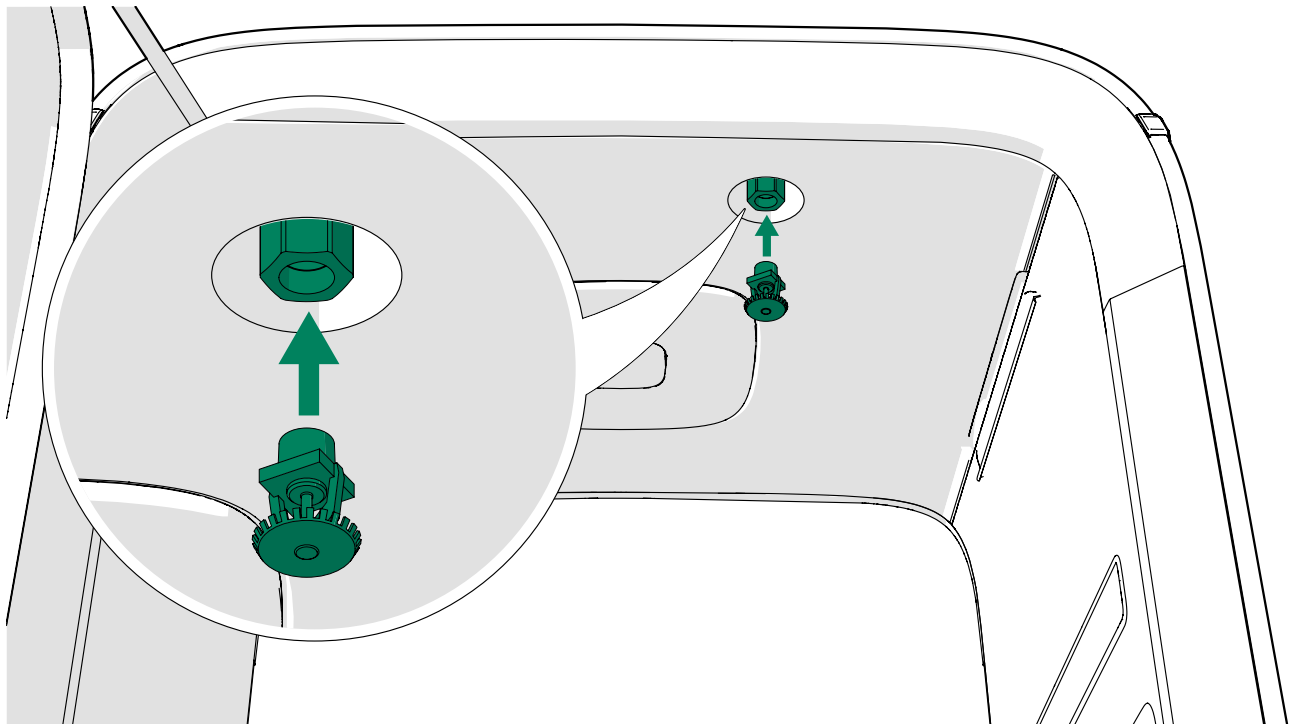
4. Guide the rubber seal around the piping and attach the seal onto the roof body cover around the hole.

Peel off the backing paper of the seal before attaching it.

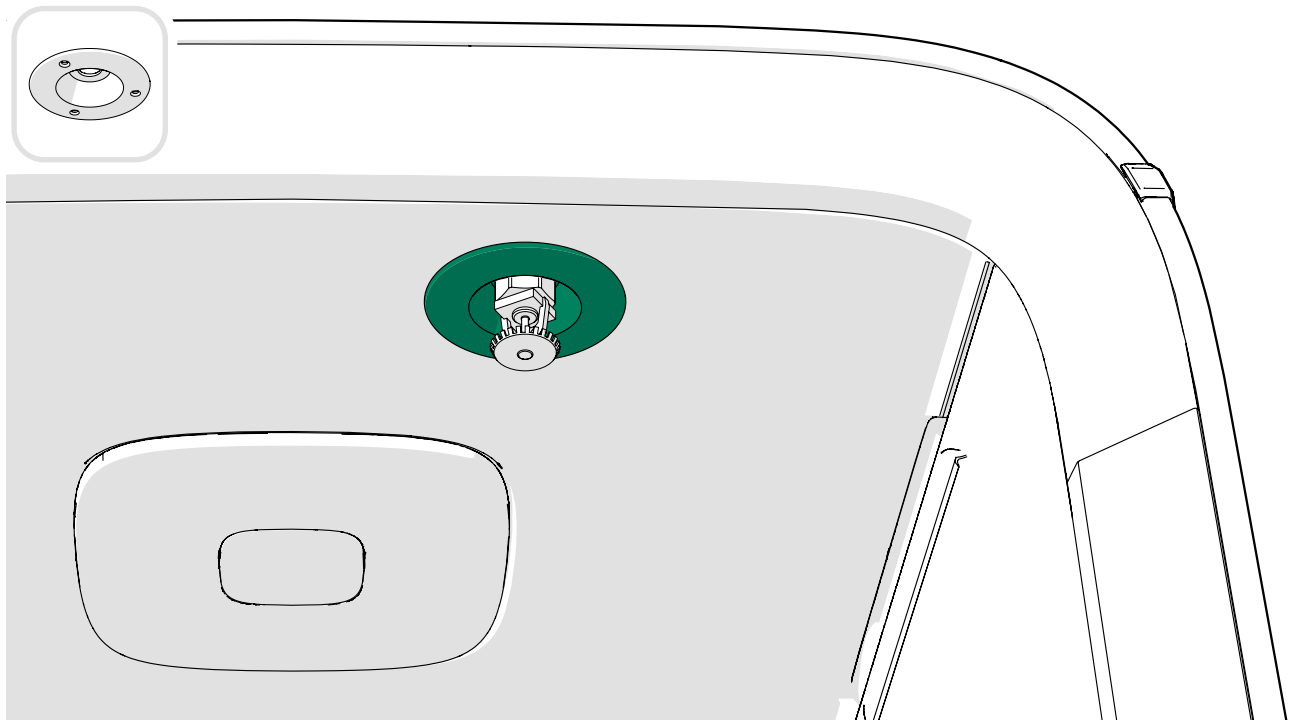
- ⚠ **Note:** Additional wires for the pressure switch (optional) do not need to be connected at this stage. Leave them as they are.



5. Install the sprinkler head to the ceiling.



6. Install the sprinkler cover to the ceiling.



framery

Framery One
Fire Safety
Patamäenkatu 7
33900 Tampere
FINLAND
VAT: FI 23527139