

Contents

Important safety and product instructions.....	4
Preface.....	4
Product information.....	4
Copyright.....	4
Manual contents.....	4
Language versions.....	4
Installation requirements.....	5
Components and accessories.....	5
Tools and accessories.....	5
Main dimensions.....	6
Required operating space.....	6
Seismic anchoring requirements (optional).....	7
Sprinkler system requirements.....	7
1 Chassis.....	8
1.1 Floor.....	8
1.1.1 Install the casters (optional).....	8
1.1.2 Level the floor.....	9
1.1.3 Install the AC power cord.....	11
1.2 Install the door frame.....	12
1.3 Install the glass wall.....	13
1.4 Install the table wall support.....	14
1.5 Install the wall light support.....	14
1.5.1 Install the floor cover plates.....	15
1.6 Install the roof module.....	15
1.7 Install the lower back wall support.....	17
1.8 Install the upper back wall support.....	18
1.9 Install the kickboards.....	18
1.10 Tighten the frame connections.....	19
2 Electrics.....	20
2.1 Install the power outlet.....	20
2.2 Make the electrical connections.....	21
2.3 Install the strain relief.....	22
2.3.1 Route the AC power cord through the roof.....	23
2.4 Install the occupancy lights.....	24
2.5 Optional electrics.....	24
2.5.1 Install the LAN cord (optional).....	25
2.5.2 Install the USB-C module (optional).....	26
3 Interior.....	27
3.1 Install the ceiling interior panel.....	27
3.2 Install the wall interior panels.....	27

3.3	Install the ceiling light.....	28
3.4	Install the wall light.....	29
3.5	Install the power outlet cover.....	30
3.6	Install the touchscreen.....	31
3.7	Install the wedge gasket.....	31
3.8	Install the table.....	32
3.9	Install the seat (optional).....	33
3.10	Install the carpet.....	35
4	Insulation and exterior.....	36
4.1	Install the table wall acoustic panel 1.....	36
4.2	Install the back wall acoustic panel 1.....	36
4.3	Install the table wall acoustic panel 2.....	37
4.4	Install the back wall acoustic panel 2.....	37
4.5	Install the wall exterior panels.....	38
4.6	Install the roof exterior panels.....	39
4.6.1	Adjust the roof exterior panels.....	39
4.7	Install the bottom exterior panels.....	40
5	Door.....	42
5.1	Install the door.....	42
5.2	Adjust the closing speed of the door.....	43
6	Finalize the installation.....	44

Important safety and product instructions

Preface

This instruction manual describes the installation of the product. Everyone involved in installing the product must read and understand the contents of the installation and safety instructions.

This instruction manual gives you necessary information for the correct installation of the product.

For complete product and safety instructions, see **help.framery.com**.

Product information

The information in this manual corresponds to the product at the time of delivery. All information included in this manual is valid at the time of publication.

Copyright

This document must not be copied, presented, or delivered to a third party without explicit permission from Framery. The use of this document for any purpose other than those allowed by Framery is prohibited. Framery reserves the right to change the instructions related to the product without separate notice.

Manual contents

The installation instructions contain the following information:

- General information about the purpose and content of the instructions
- Information related to safety
- Installation instructions

Language versions

Installation instructions translated to German, French, and Spanish can be found at **help.framery.com**.

Installation requirements

Components and accessories

Review the contents of the packaging along the installation instructions to confirm that the appropriate components and accessories are being used with the pod.

Tools and accessories

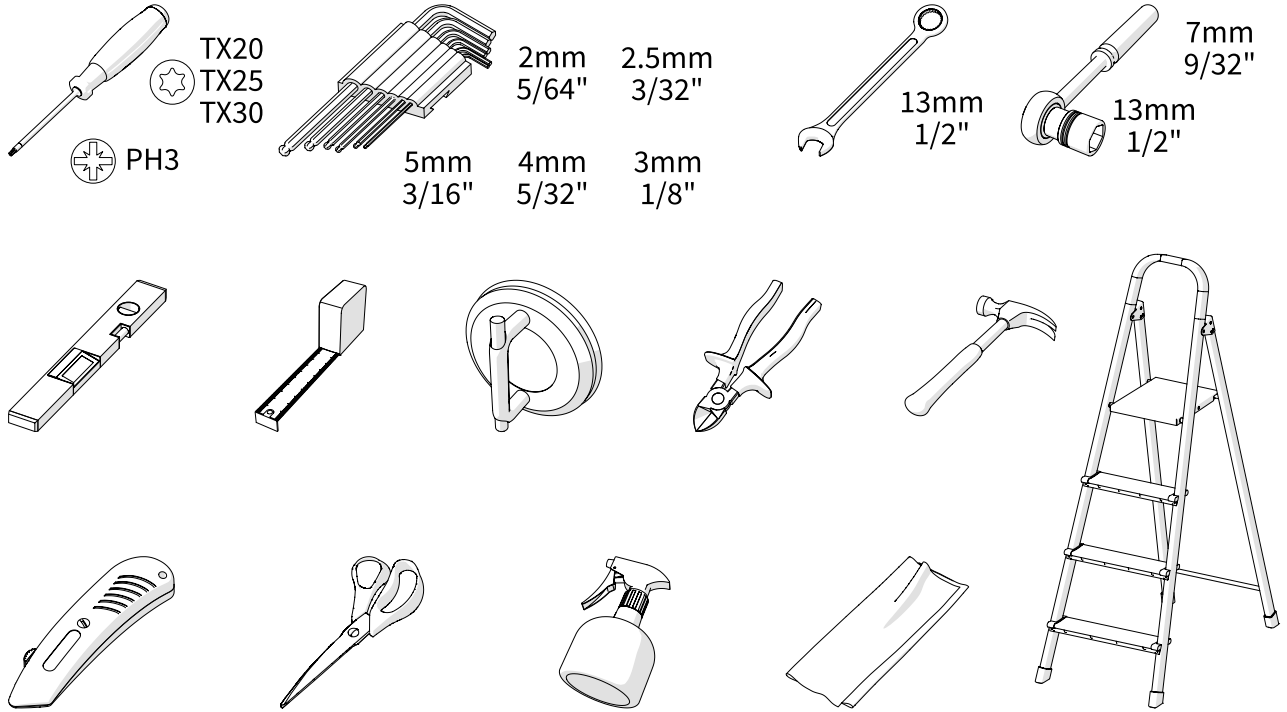


Figure 1: Tools and accessories

Main dimensions

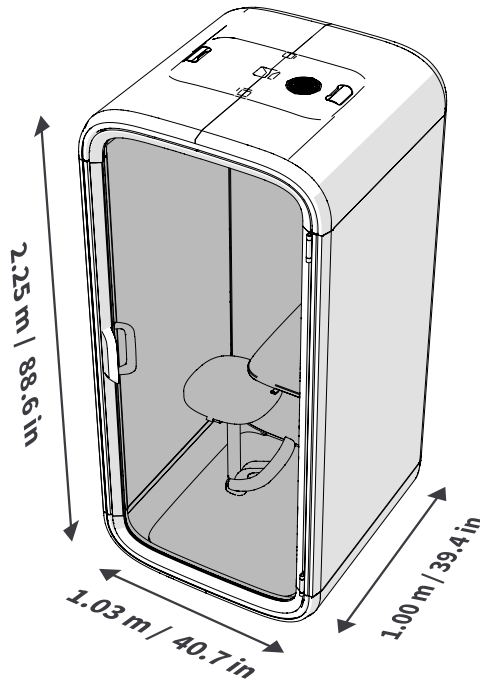


Figure 2: Main dimensions

Required operating space



Note: If installing the optional seismic anchors, the required operating space will differ. See section "Seismic anchoring requirements" for more information.

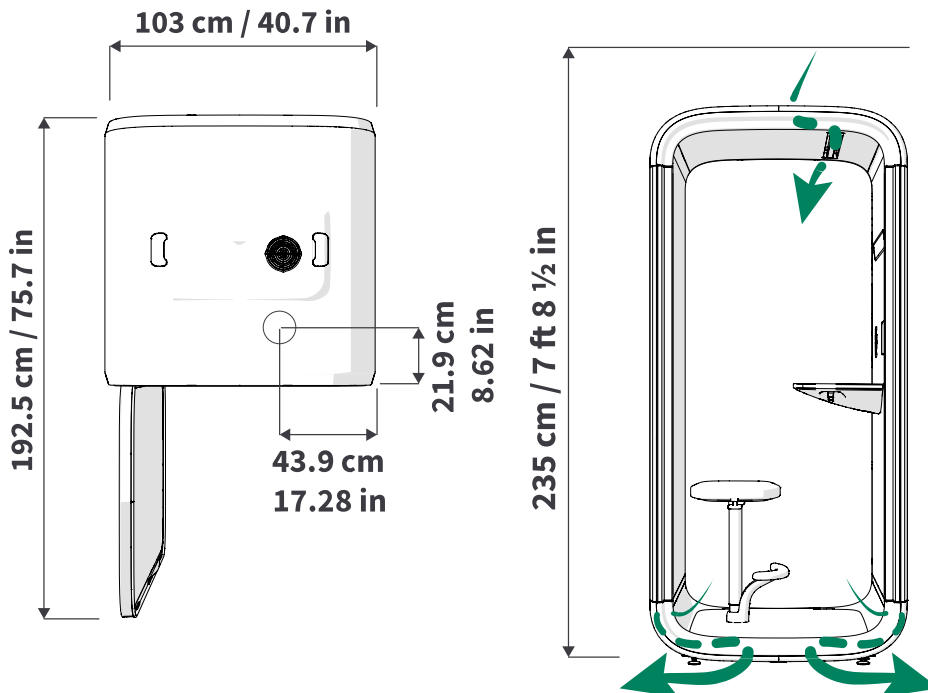


Figure 3: Required operating space

Seismic anchoring requirements (optional)



Note: If the delivery includes the seismic kit, follow the separate Seismic kit installation instructions on help.framery.com.

Sprinkler system requirements

If the product is connected to the sprinkler system of the building, the installation must be done in accordance with NFPA 13. Contact the building management and local fire department for the requirements for a fire suppression system.

1 Chassis

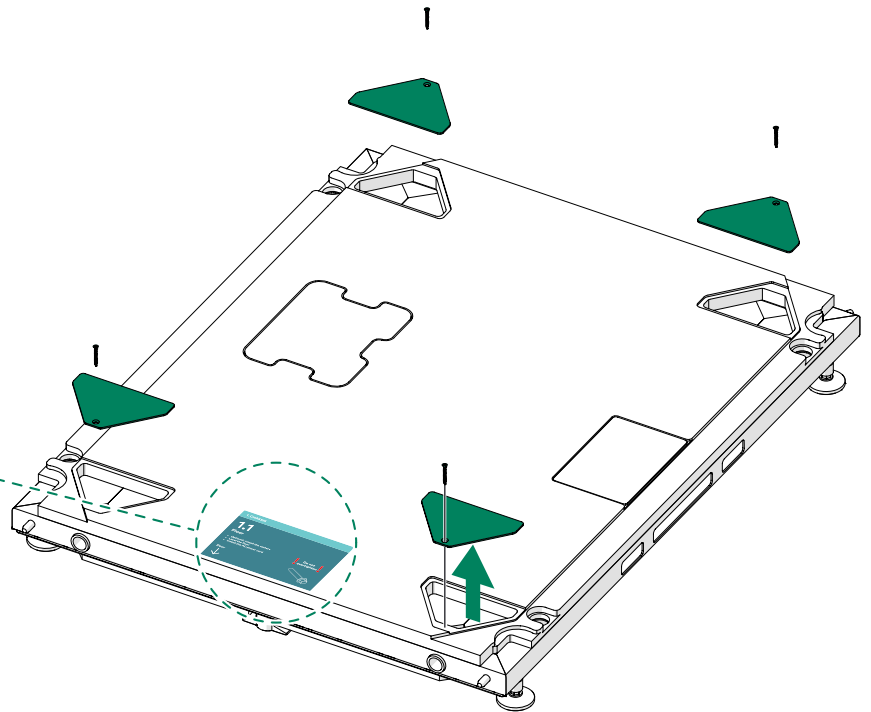
1.1 Floor

1.1.1 Install the casters (optional)

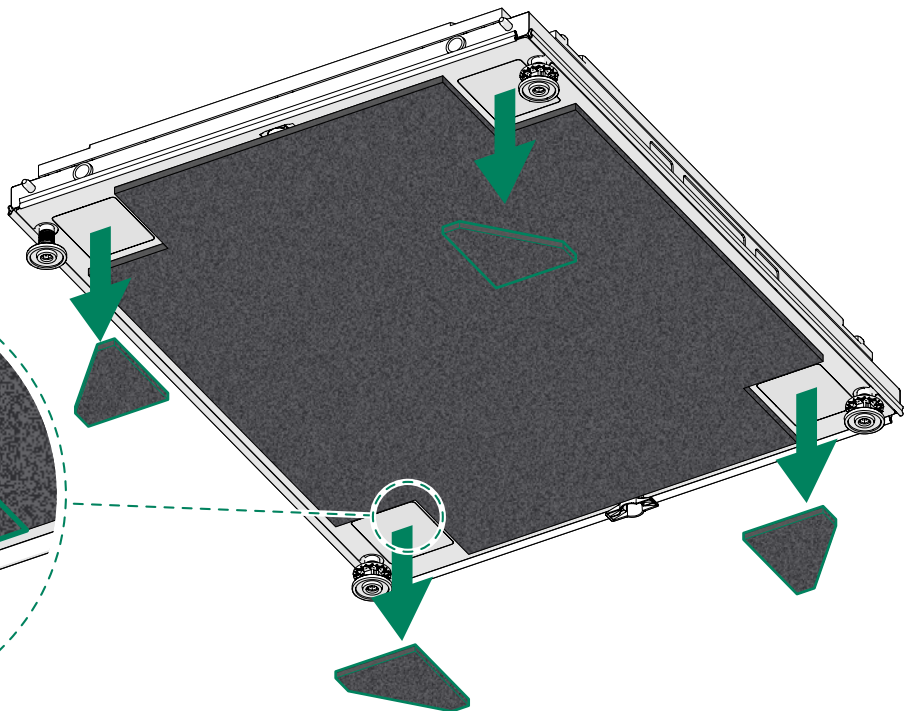
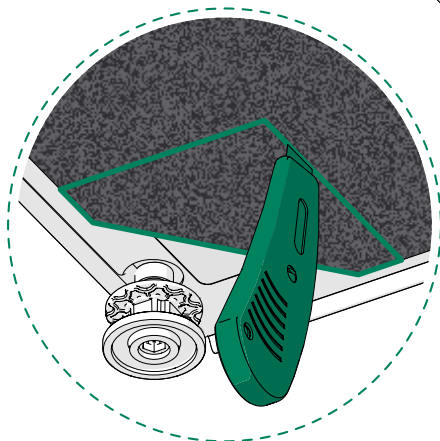



Note: If the delivery includes the optional casters, follow the instructions in this section. If the delivery does not include the casters, continue to the next section.

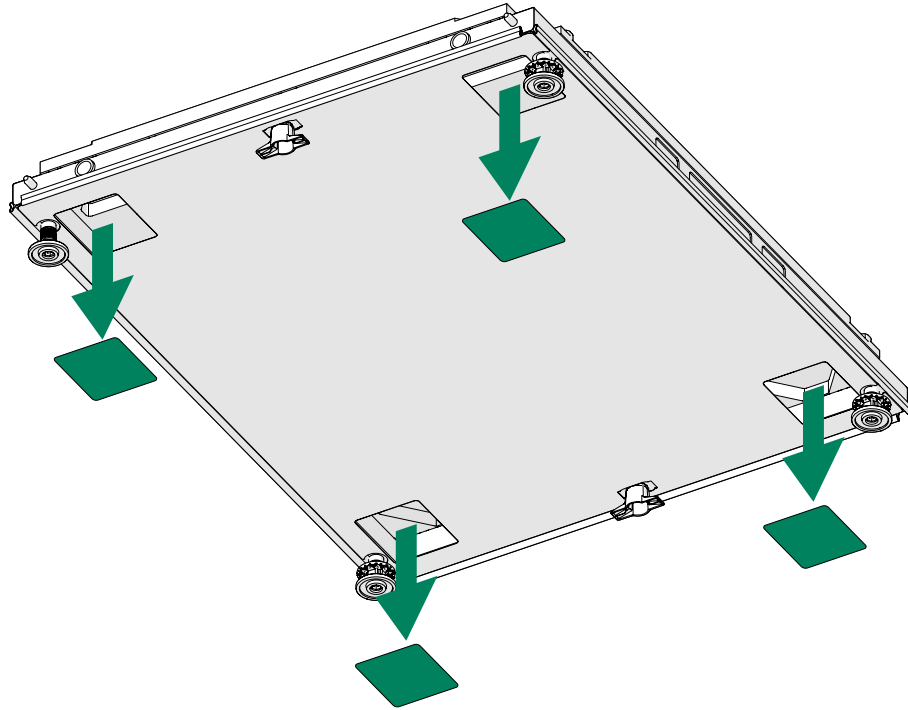
1.



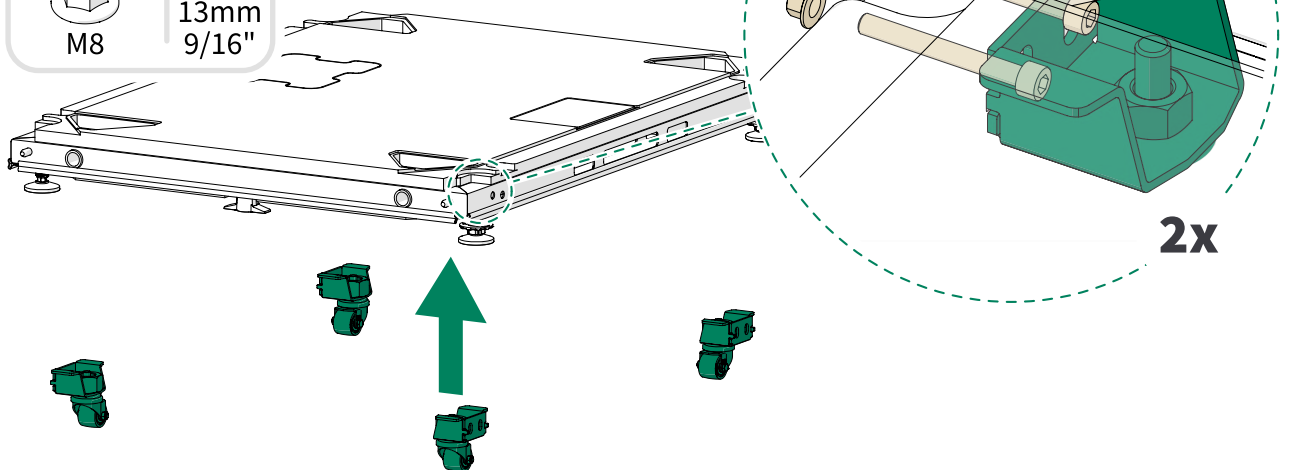
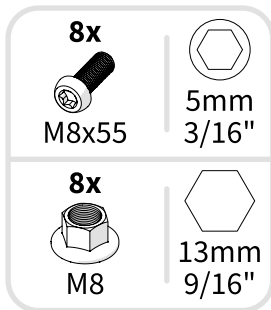
2.



3.  **Note:** Hit the bottom plates gently with a hammer to remove them.




- 4.

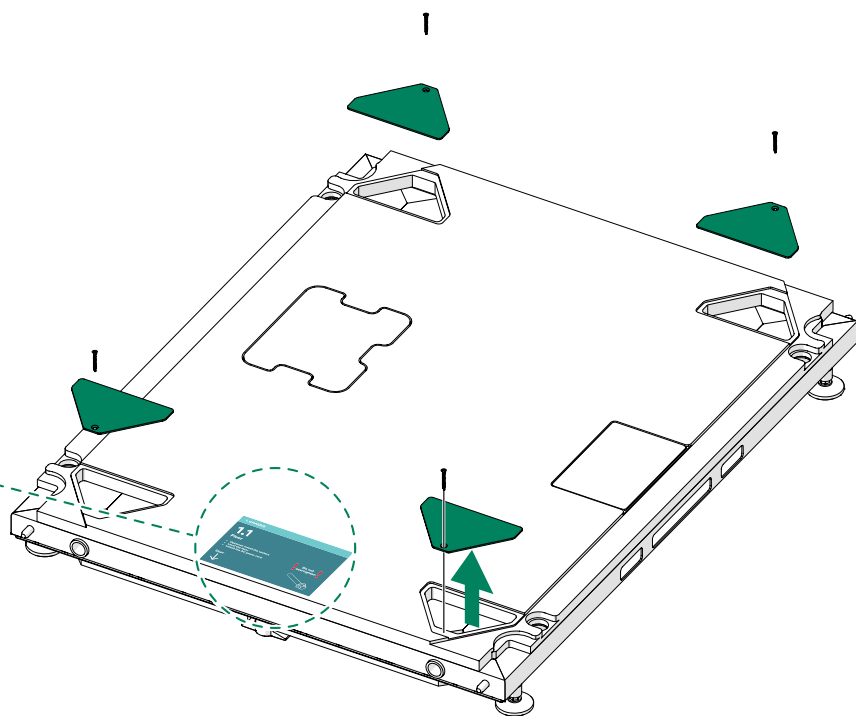


1.1.2 Level the floor

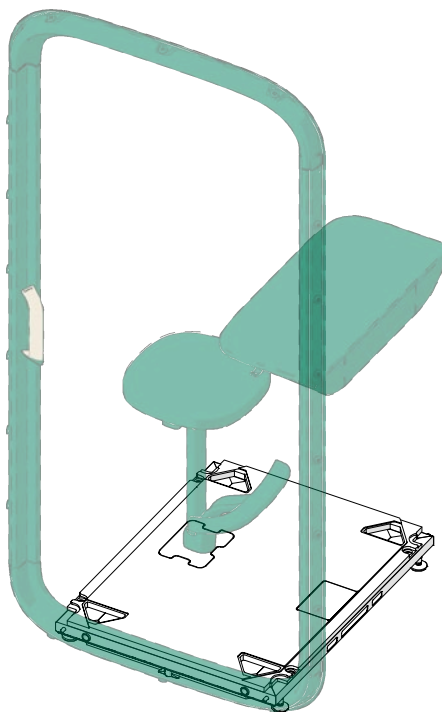
Attention: If the floor is not leveled, the sound insulation of the pod will be improper. Level the floor before moving forward in the installation. Check the level also after the installation.


-  **Note:** If the pod is equipped with the optional casters and moved after assembly, the pod must be re-leveled.

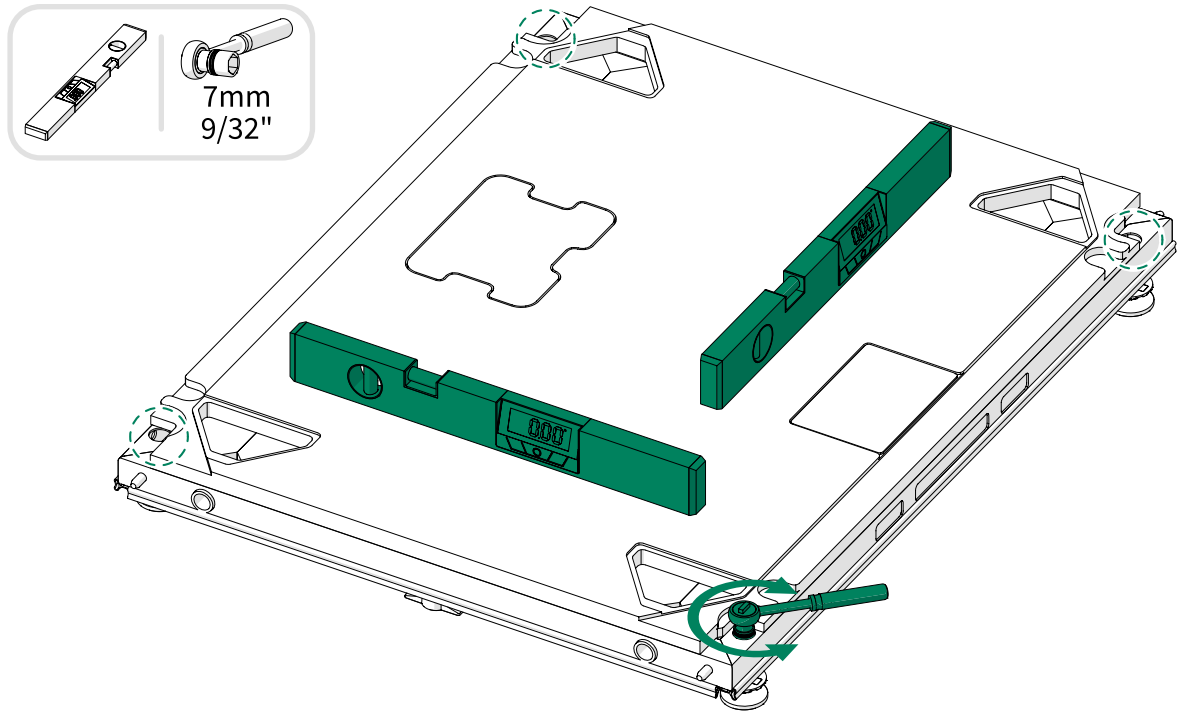
1.






2. Lay the floor down at the intended installation site.

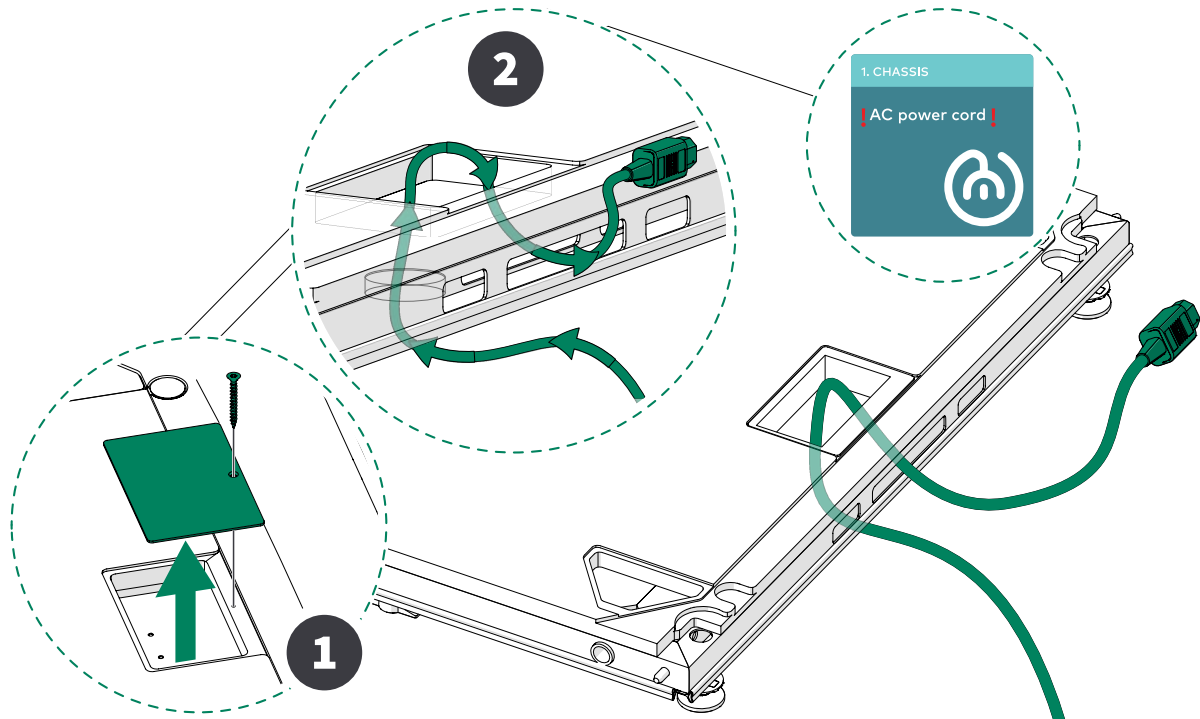


3.  **Note:** After you have leveled the floor, stand on it to make sure that it is stable.



1.1.3 Install the AC power cord

-  **Note:** Before you install the AC power cord, confirm the location of the power outlet that the pod will be connected to. Route the AC power cord according to the location of the power outlet.
- If the outlet is located close to the bottom of the pod, route the power cord through the floor.
 - If the outlet is located close to the top of the pod, route the power cord through the roof.
-  **Note:** Follow these instructions if the power cord is routed through the floor.
-  **Note:** If the power cord is routed through the roof, continue to the next section. The power cord is installed later after connecting the electrics.

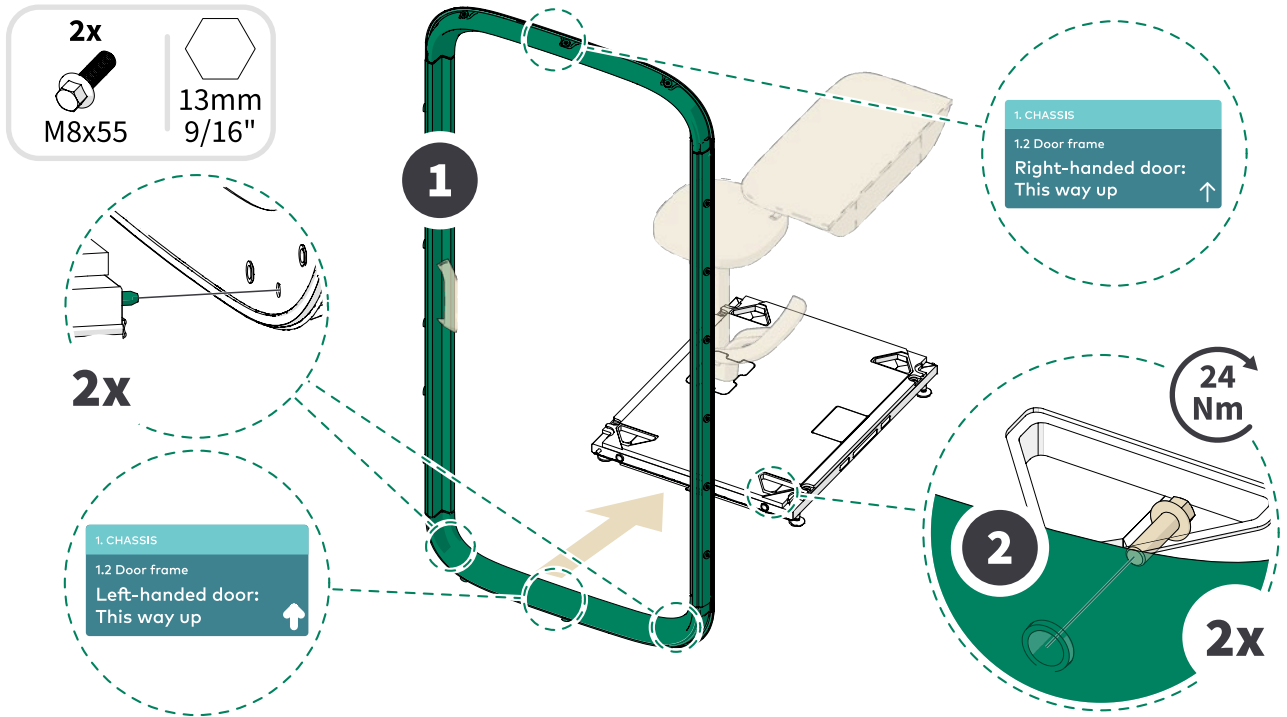


1.2 Install the door frame

Warning: Installing the frames always requires two people. Someone must hold the installed frames upright at all times until they are connected to each other. If a frame falls over, it can result in a personal injury or damage to the floor module and frame.

Attention: Make sure that all bolts are tightened with proper torque. Check also the vertical level of the frame according to the instructions to ensure perfect sound insulation and component fitting.

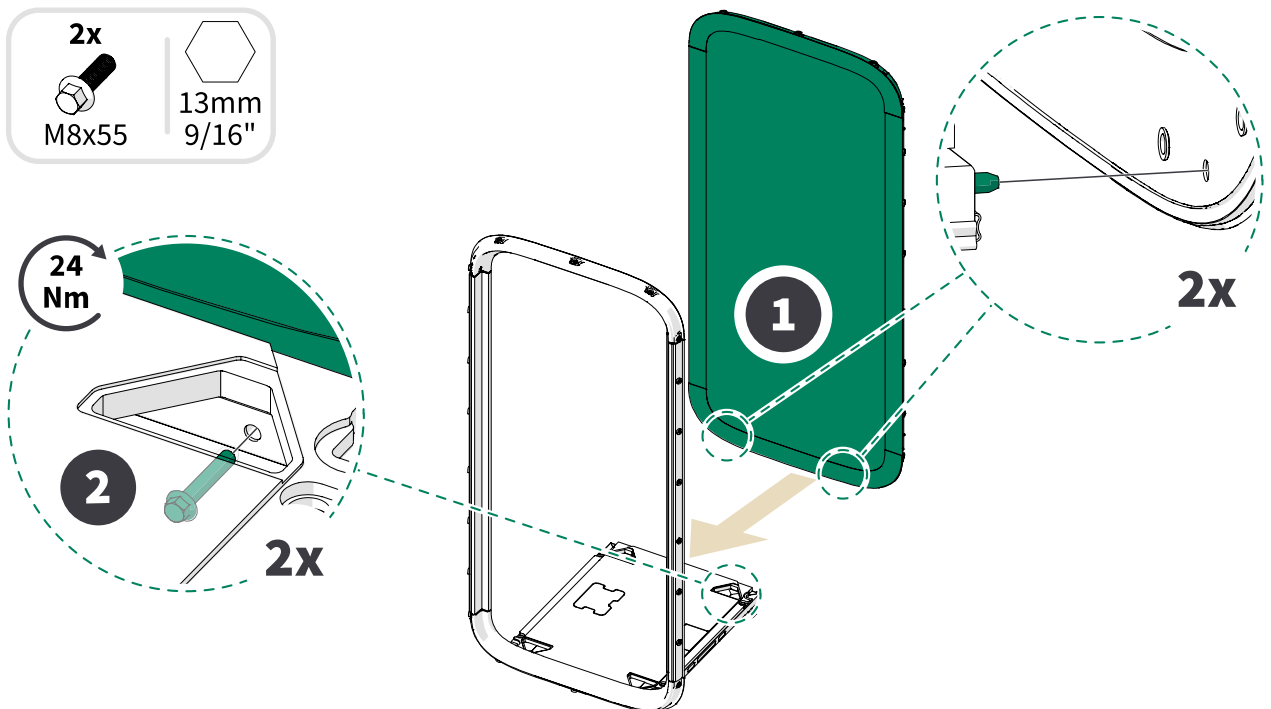
- ⓘ **Note:** The installation procedure for the frames is determined by whether the pod has the optional seismic anchoring kit or not.
- ⓘ **Note:** If the delivery includes the seismic kit, follow the separate Seismic kit installation instructions on help.framery.com.
- ⓘ **Note:** The orientation of the door frame determines the door handedness. When you install the frames, make sure they are oriented correctly with the door hinges on the correct side. This ensures that the door opens as intended.
- ⓘ **Note:** The correct tightening torque for the bolts connecting the frame to the floor module is 24 Nm (17.70 ft-lbs).
- Warning:** Hold the door frame upright while another installation technician secures it to the floor module.



1.3 Install the glass wall

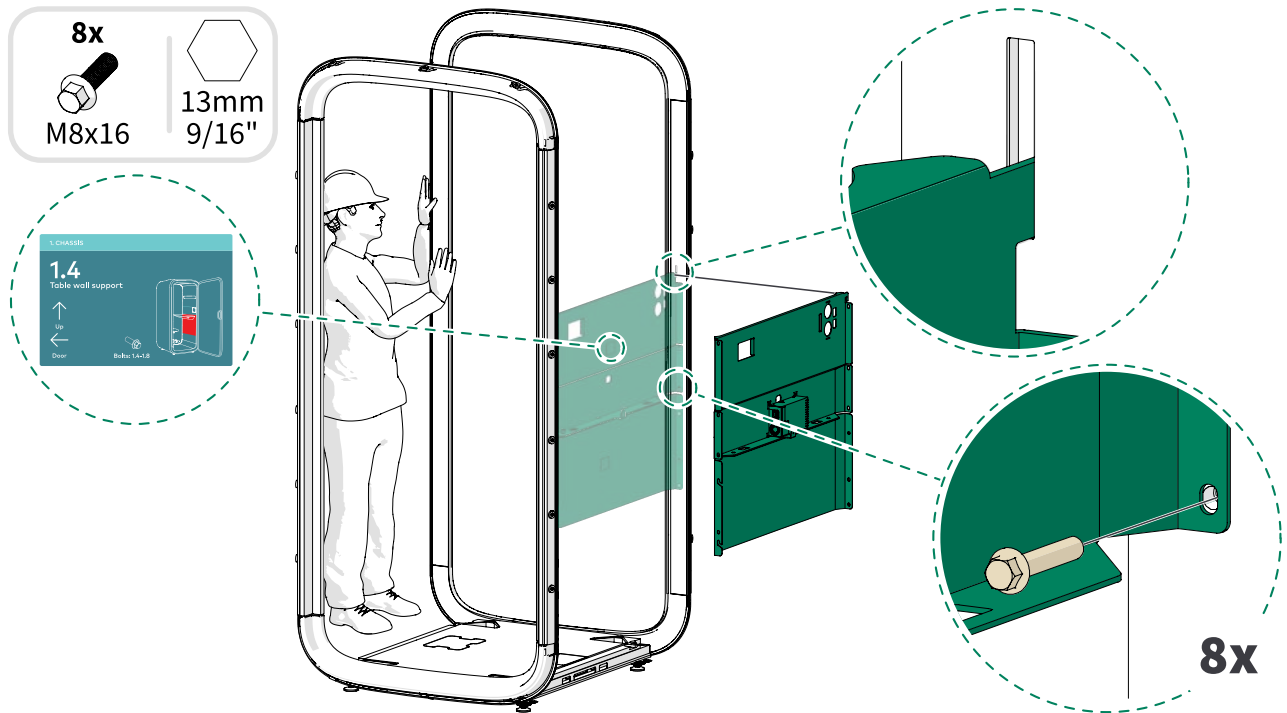
Note: The correct tightening torque for the bolts connecting the frame to the floor module is 24 Nm (17.70 ft-lbs).

Warning: When the door frame and glass wall are installed to the floor module, the structure is unstable until the frames are connected. Hold the glass wall upright until another installation technician has installed the table wall support between the frames.



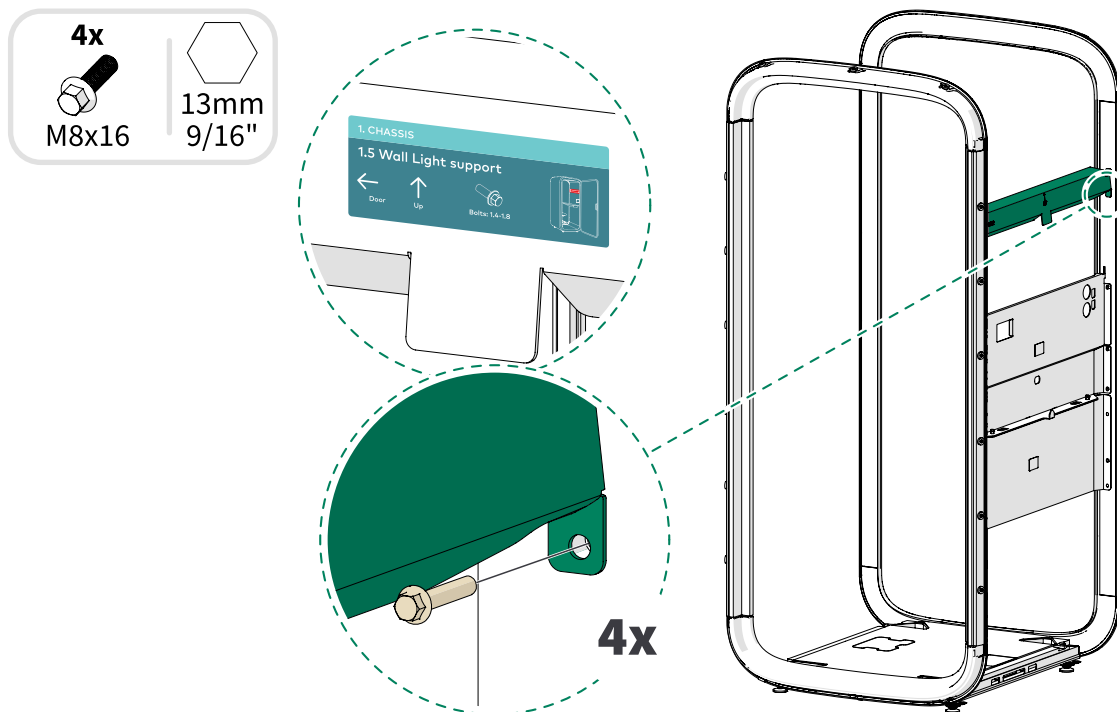
1.4 Install the table wall support

- ⚠ **Note:** When attaching the table wall support to the frames, be careful not to bend the hook on the support.

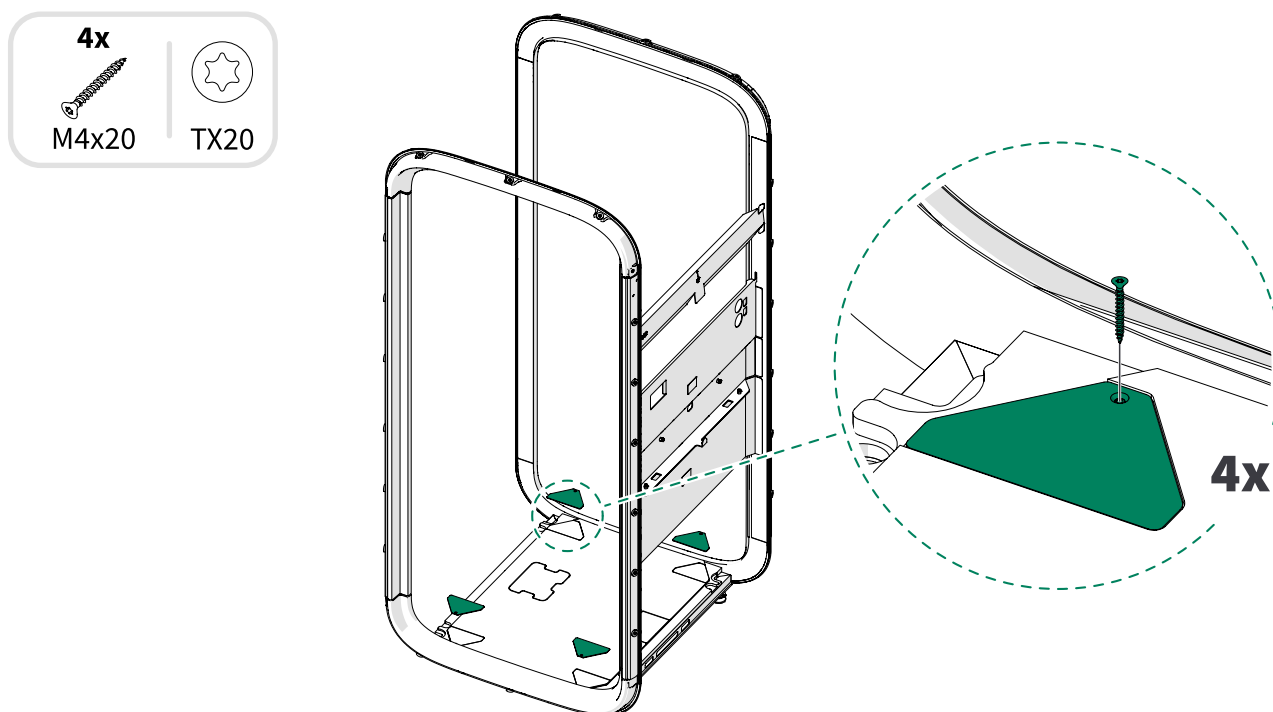


1.5 Install the wall light support

- ⚠ **Note:** Make sure that the support is oriented correctly with one arrow on the sticker pointing up and the other to the door.
- ⚠ **Note:** There are two positions on the frame where it is possible to install the light support. Install the light support above the table wall support to the lowest possible position.



1.5.1 Install the floor cover plates



1.6 Install the roof module

Attention: Make sure that the roof is pulled firmly onto the frame and the frame gasket leg is between the roof and the frame.

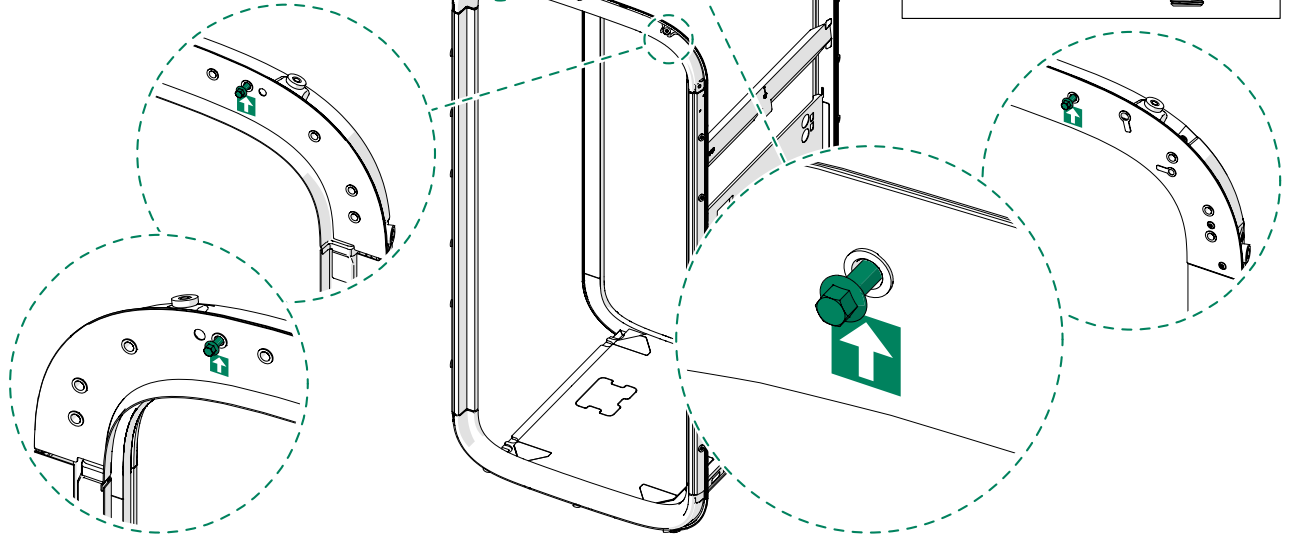
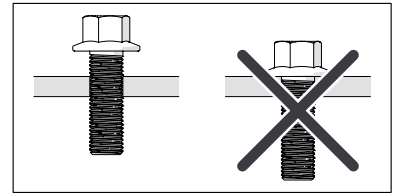
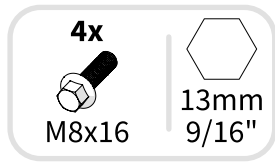
1.



Note: Insert the screws only about halfway into the holes on the top part of each frame. Do not push them all the way through.



Note: Make sure that you insert the screws into the innermost holes on the glass wall and the second innermost holes on the door frame.



2.



Note: Make sure that the roof module is oriented correctly. When looking inside the pod from the door side, the openings for ventilation must be located on the right side of the roof module.



Note: Make sure that the fan cables or the roof module seal do not get pinned between the roof module and pod frame.

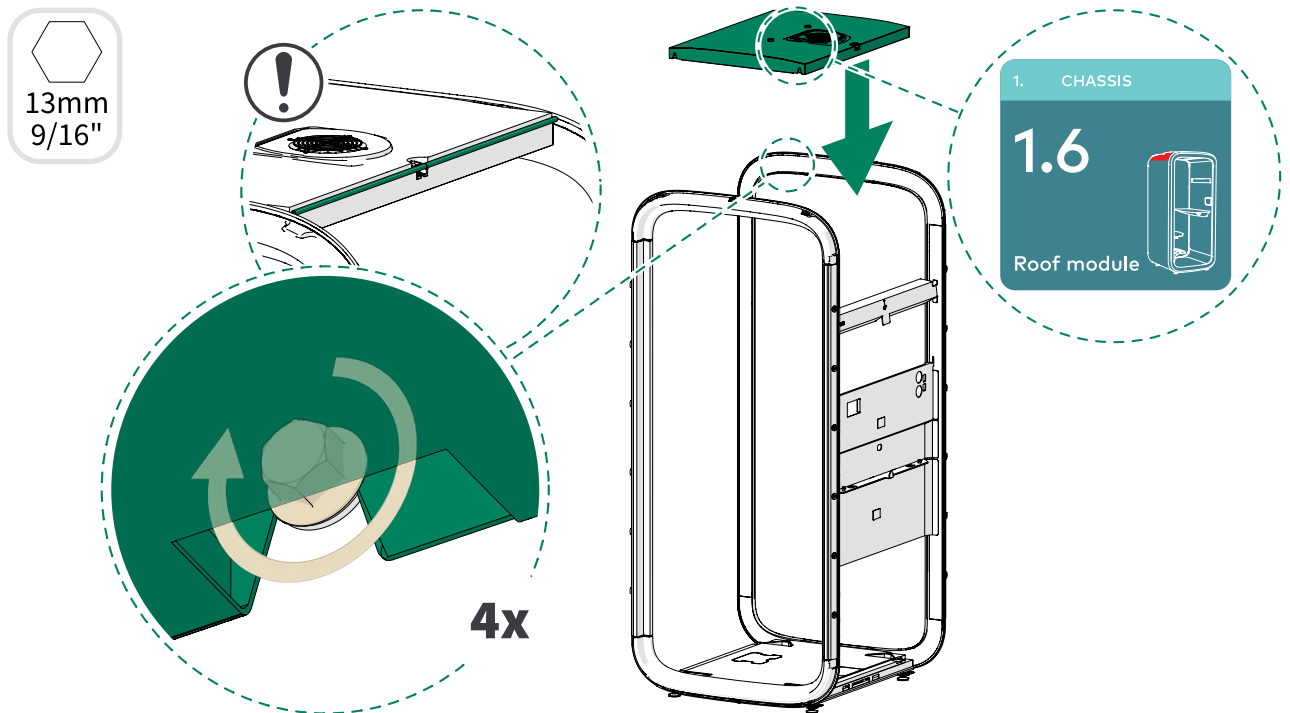


Note: Align the slots on the roof module with the pre-inserted screws on the door frame and glass wall.

- Before tightening the screws, pull down firmly on the roof module to make sure that it is seated properly.
- Tighten the screws on the door frame first.



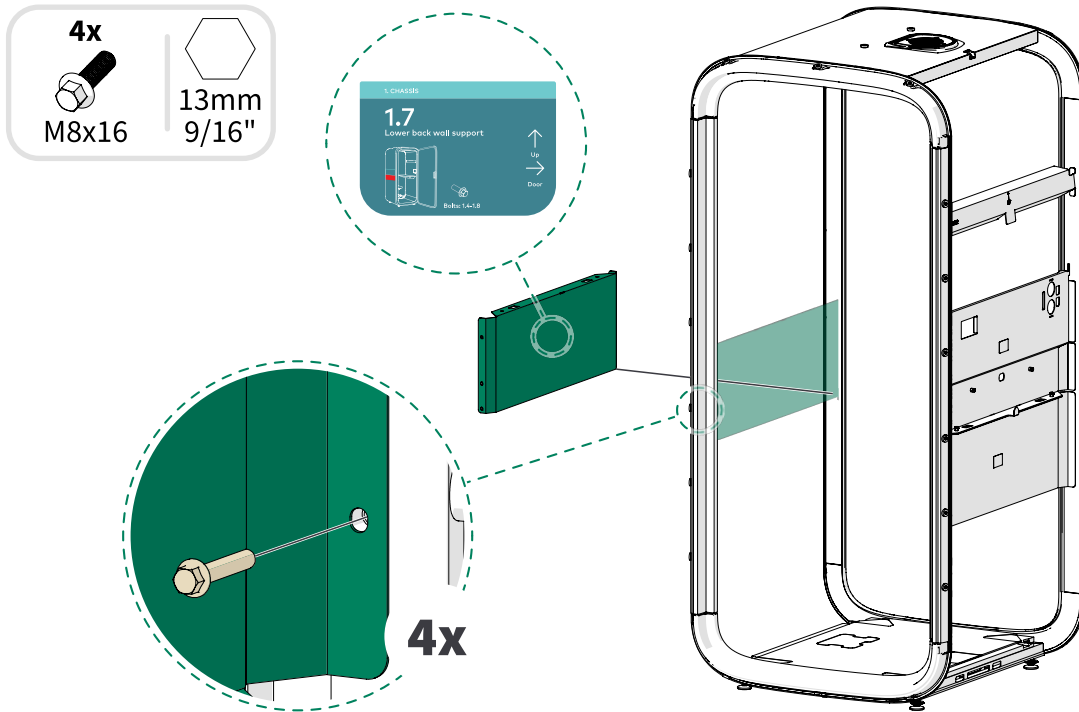
Note: Inspect the roof module from the top to make sure that the frame gasket has not come loose during the installation.



1.7 Install the lower back wall support

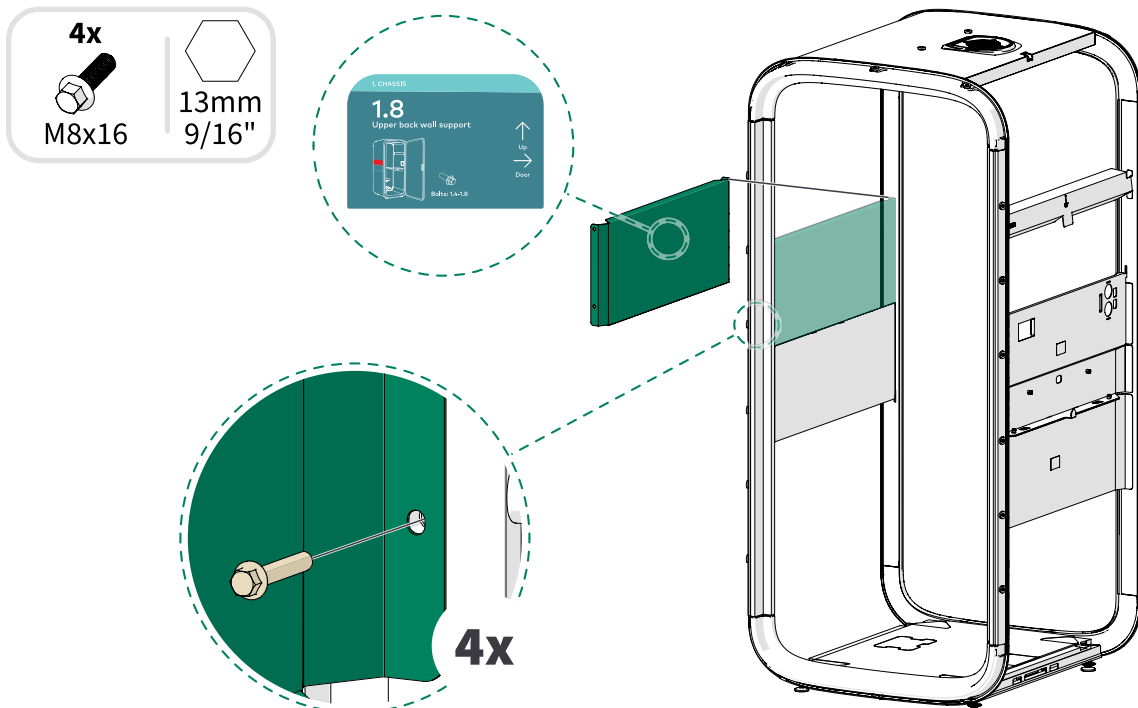


Note: Make sure that the support is oriented correctly with one arrow on the sticker pointing up and the other to the door.



1.8 Install the upper back wall support

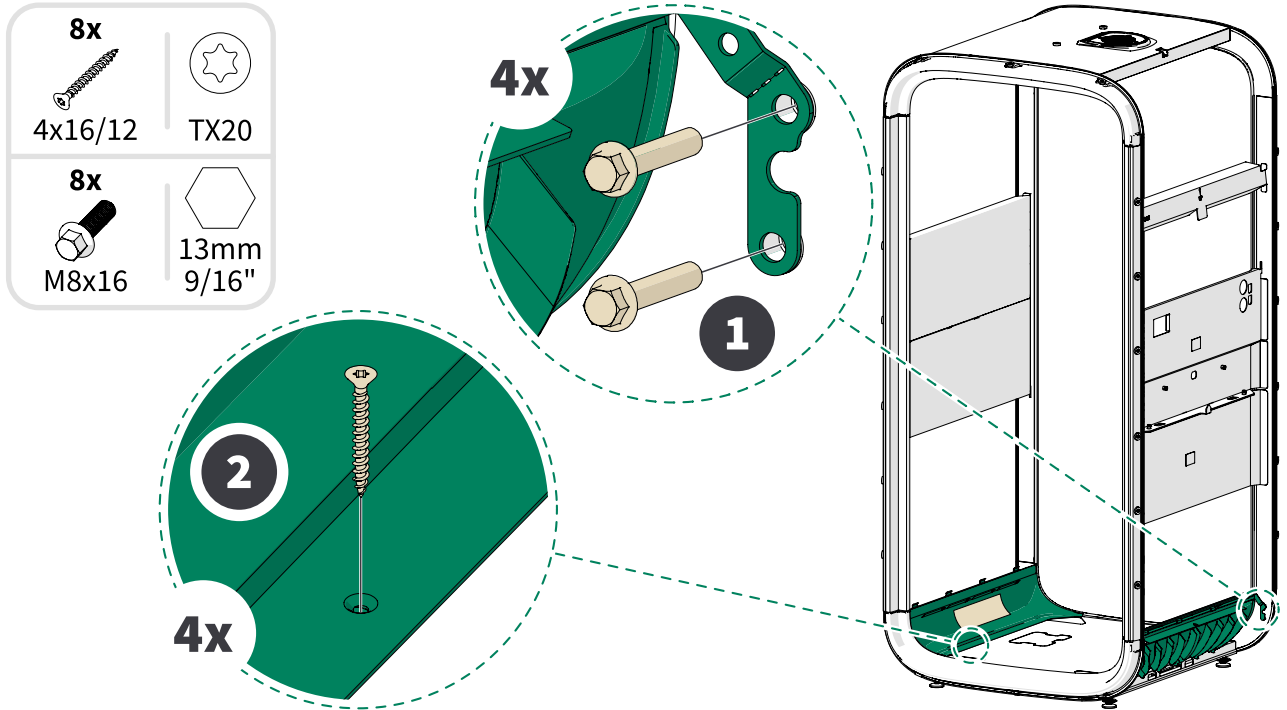
⚠ **Note:** Make sure that the support is oriented correctly with one arrow on the sticker pointing up and the other to the door.



1.9 Install the kickboards

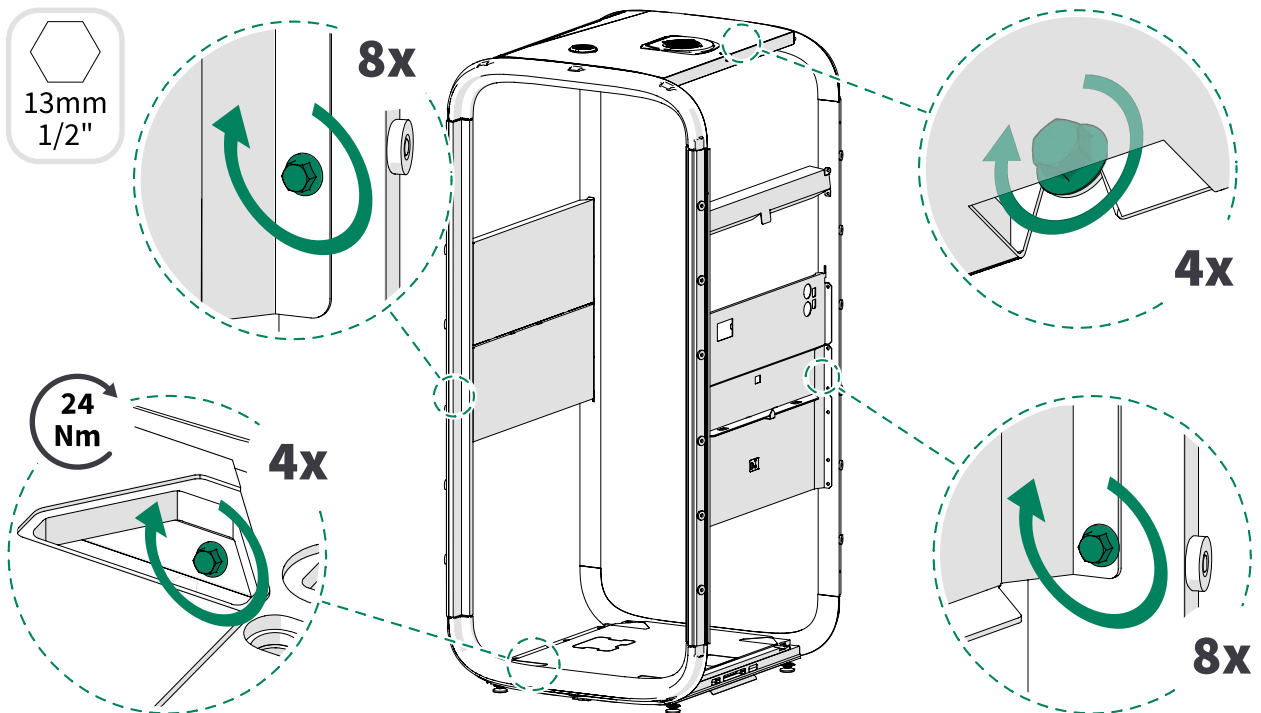
⚠ **Note:** The installation procedure for the kickboards is determined by whether the pod has the optional seismic anchoring kit or not.

Note: If the delivery includes the seismic kit, follow the separate Seismic kit installation instructions on help.framery.com.



1.10 Tighten the frame connections

Note: After the chassis is assembled, tighten each bolt by hand.



2 Electrics

Attention: Make sure that all connectors are securely attached.

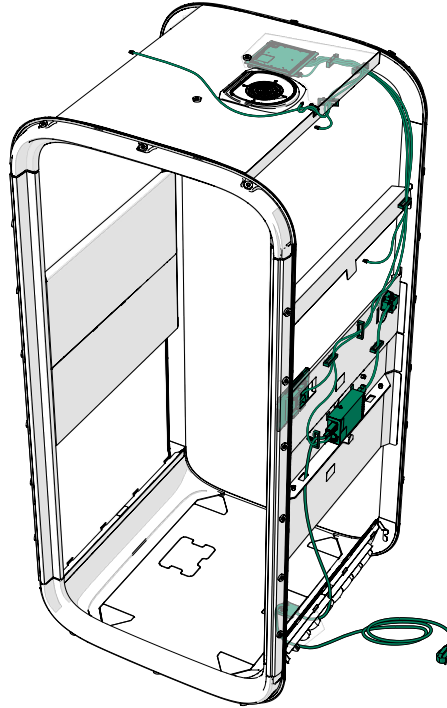
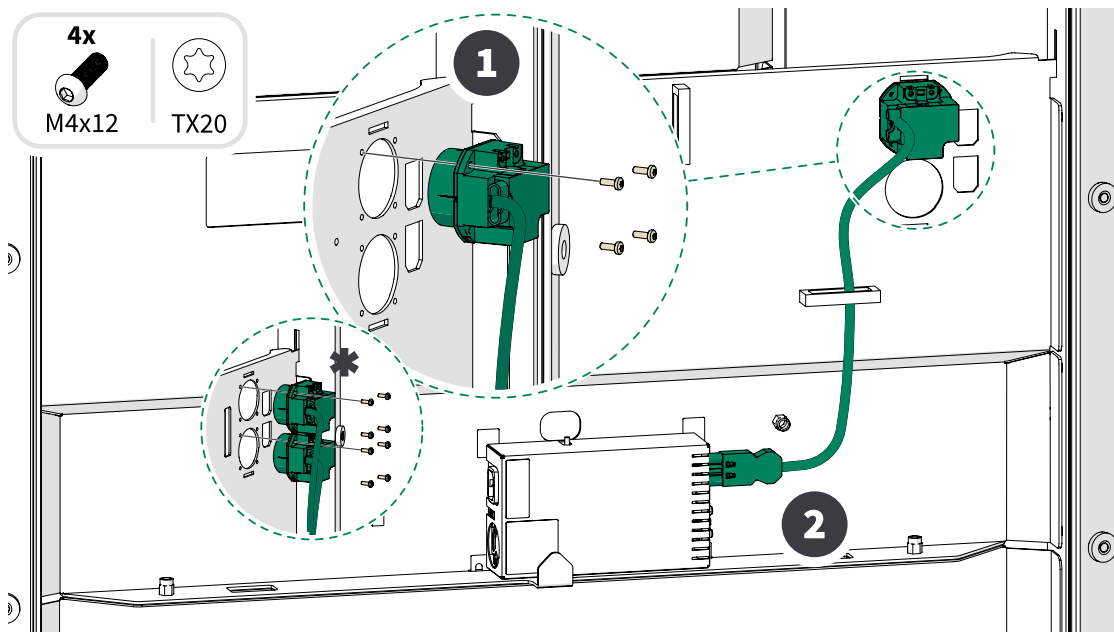


Figure 4: Overview of the electrical connections

2.1 Install the power outlet

⚠ **Note:** The pod can be equipped with one or two power outlets. Confirm how many power outlets the pod has before proceeding.

* = With two power outlets



2.2 Make the electrical connections

Note: Do not cover the core unit with anything. Route all cables around it.

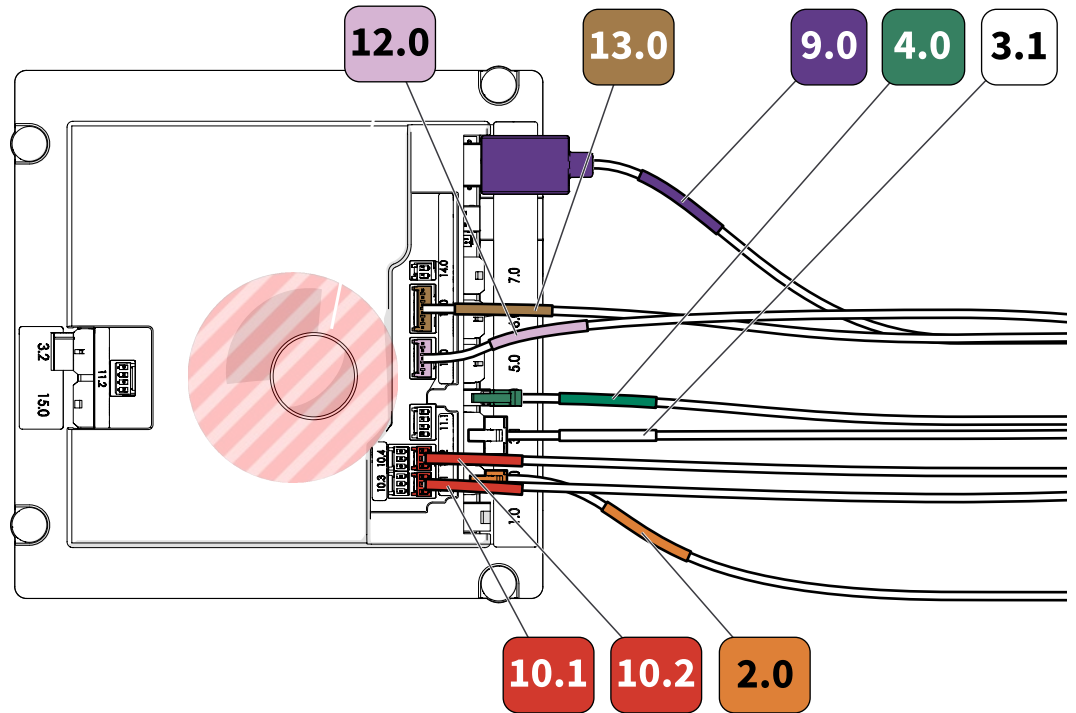
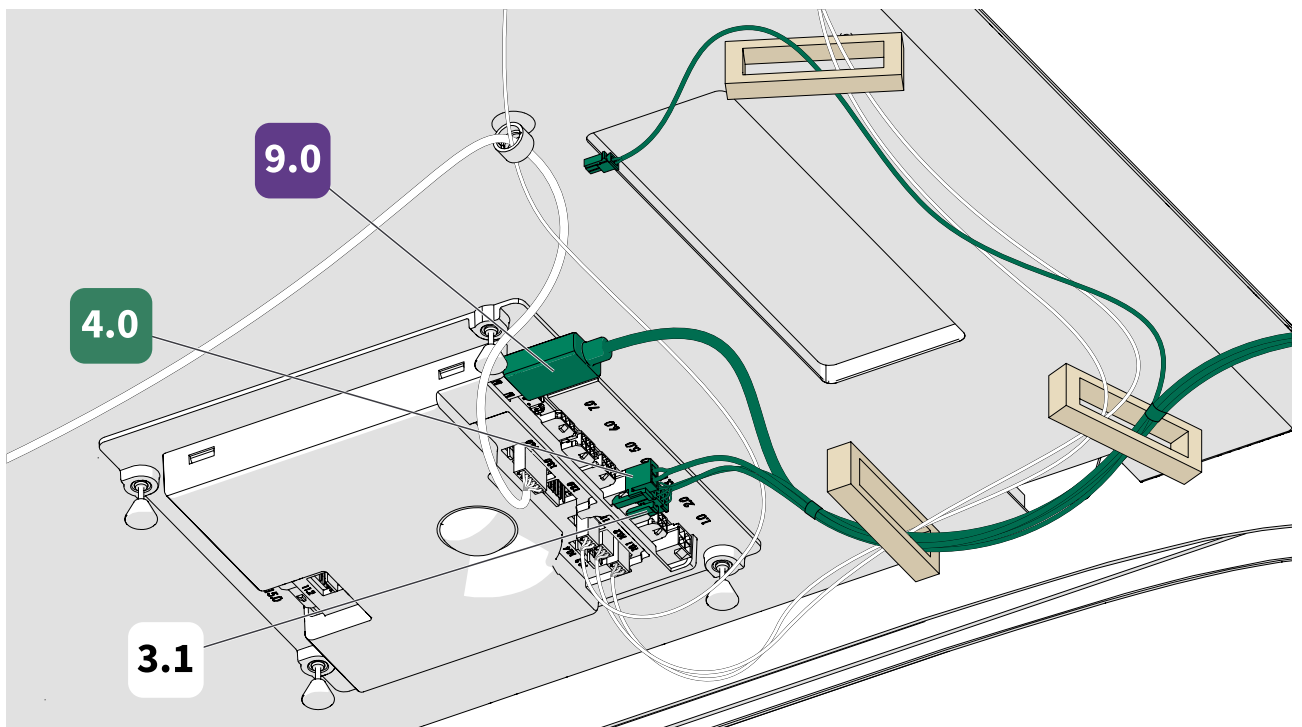
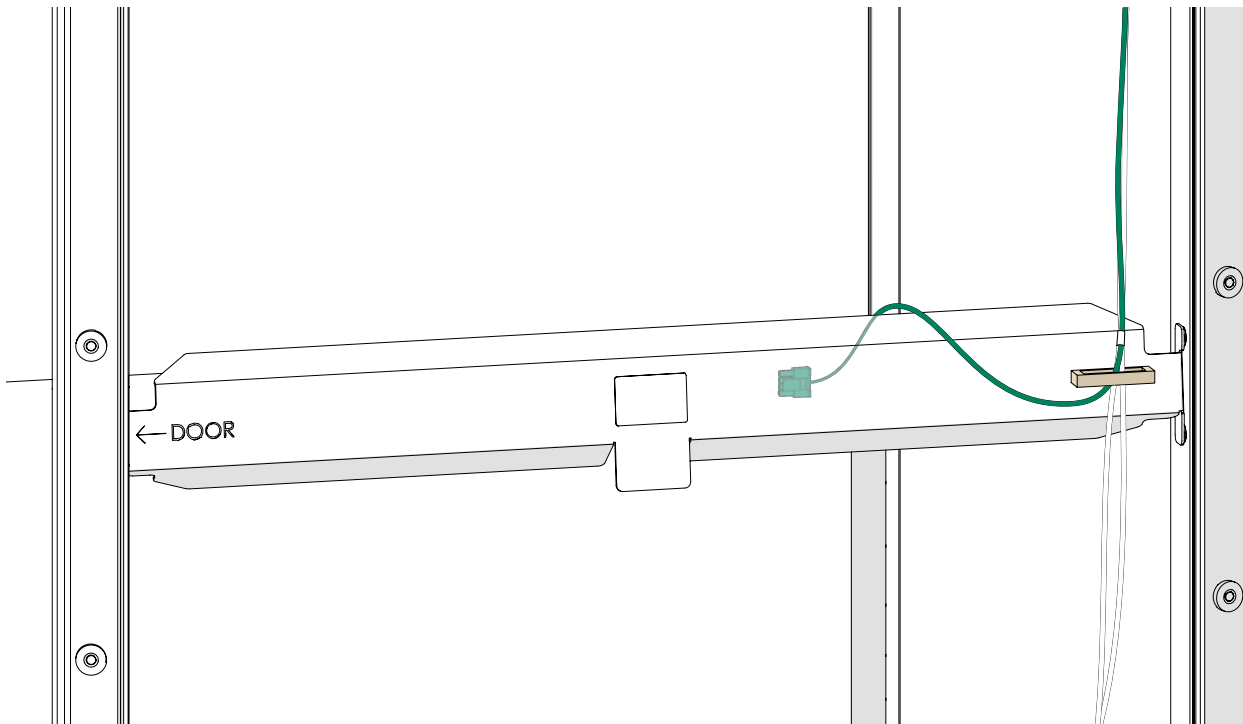


Figure 5: Connector labels on the core unit

1.



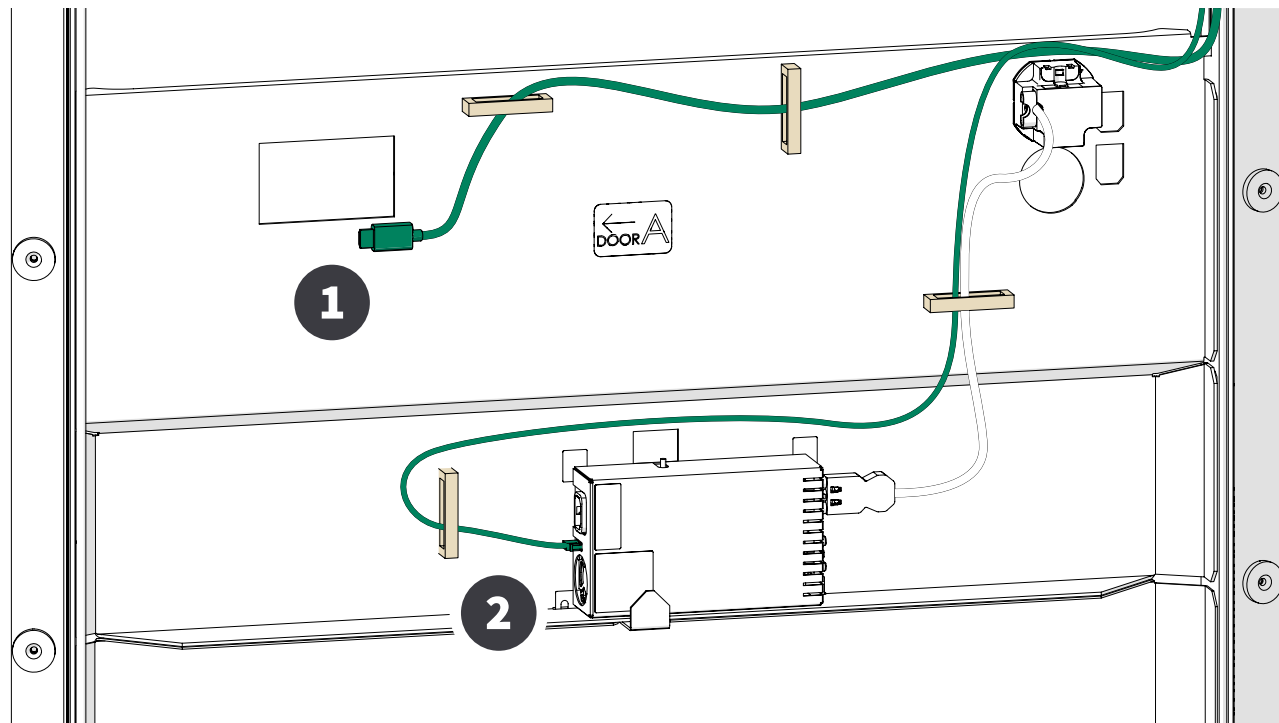
2.



3.



Note: Connection of a protective grounding conductor is via the power unit screws.

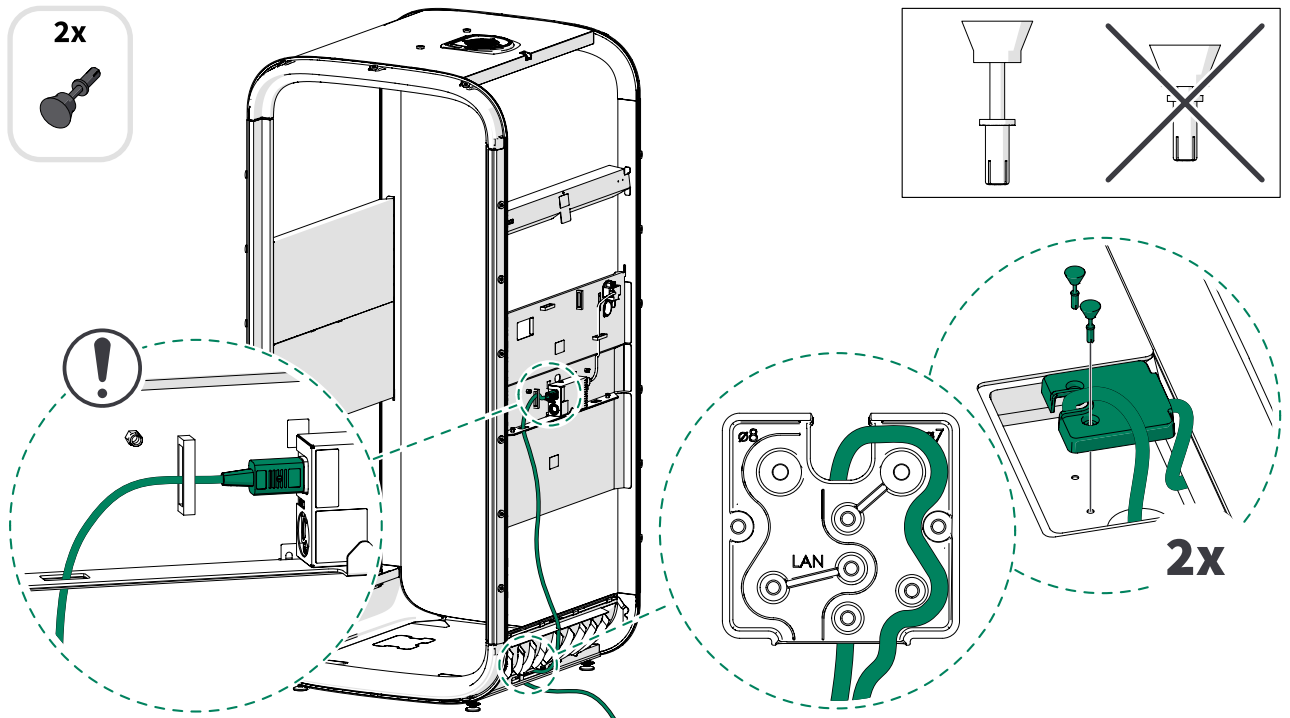


2.3 Install the strain relief

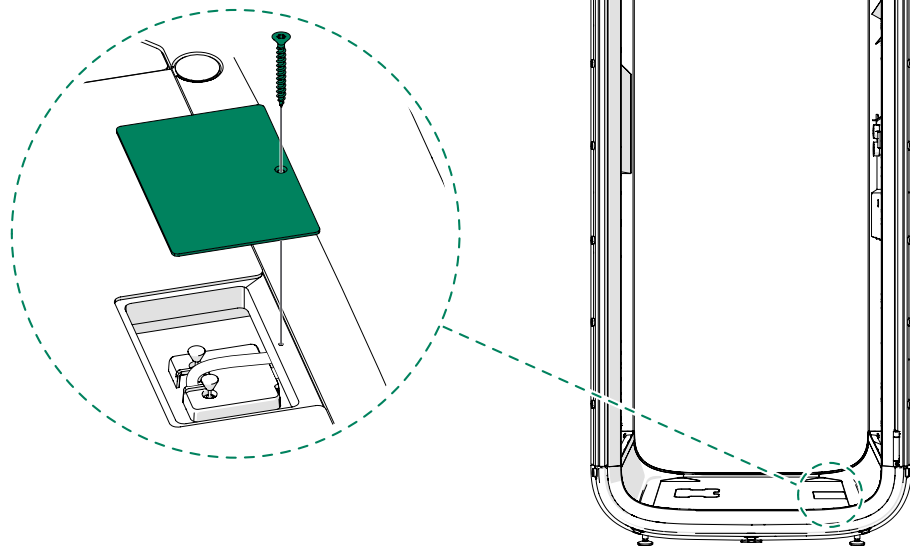
1.



Note: If the delivery includes a LAN cord, install it before attaching the strain relief and cover plate. See section "Optional electrics" for instructions.



2.



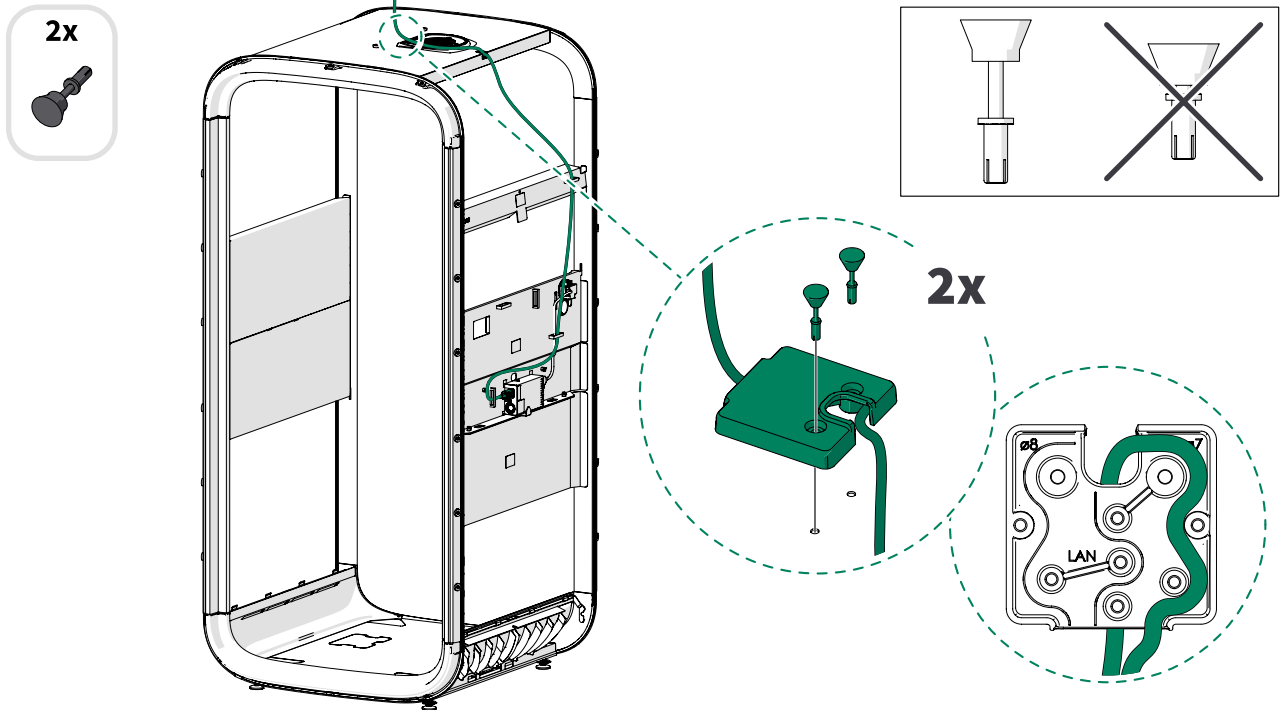
2.3.1 Route the AC power cord through the roof



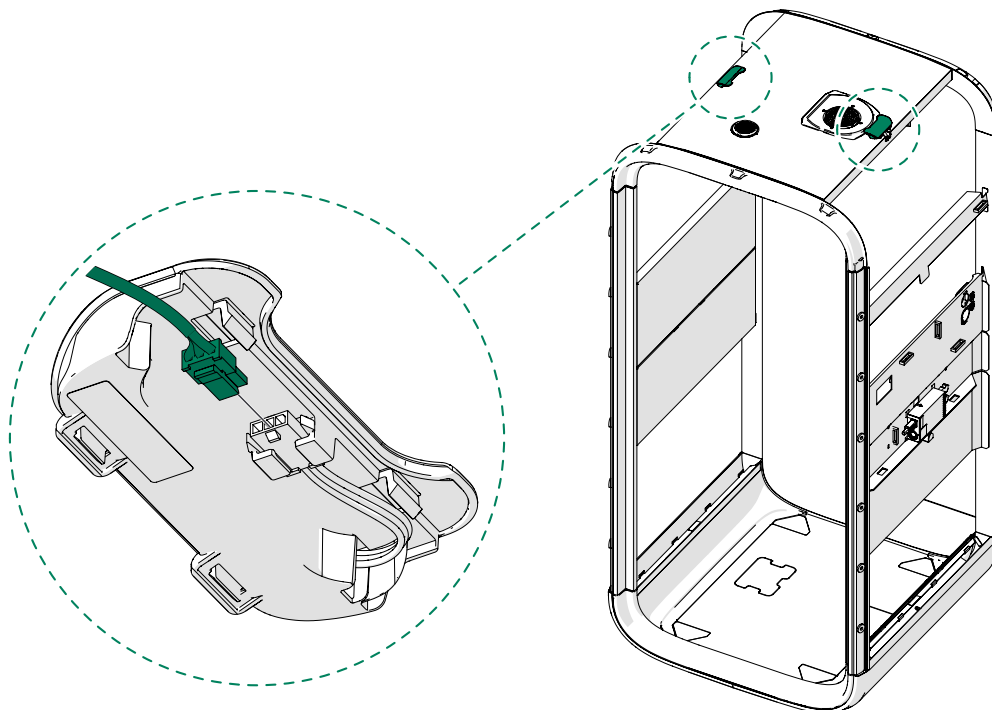
Note: Follow these instructions if the power outlet is located above the pod.



Note: If the delivery includes a LAN cord, install it before attaching the strain relief. See section "Optional electrics" for instructions.



2.4 Install the occupancy lights



2.5 Optional electrics

- ⚠ **Note:** The installation procedures described in this section are for optional accessories. If the pod delivery does not include any of these accessories, continue to the next section.

2.5.1 Install the LAN cord (optional)

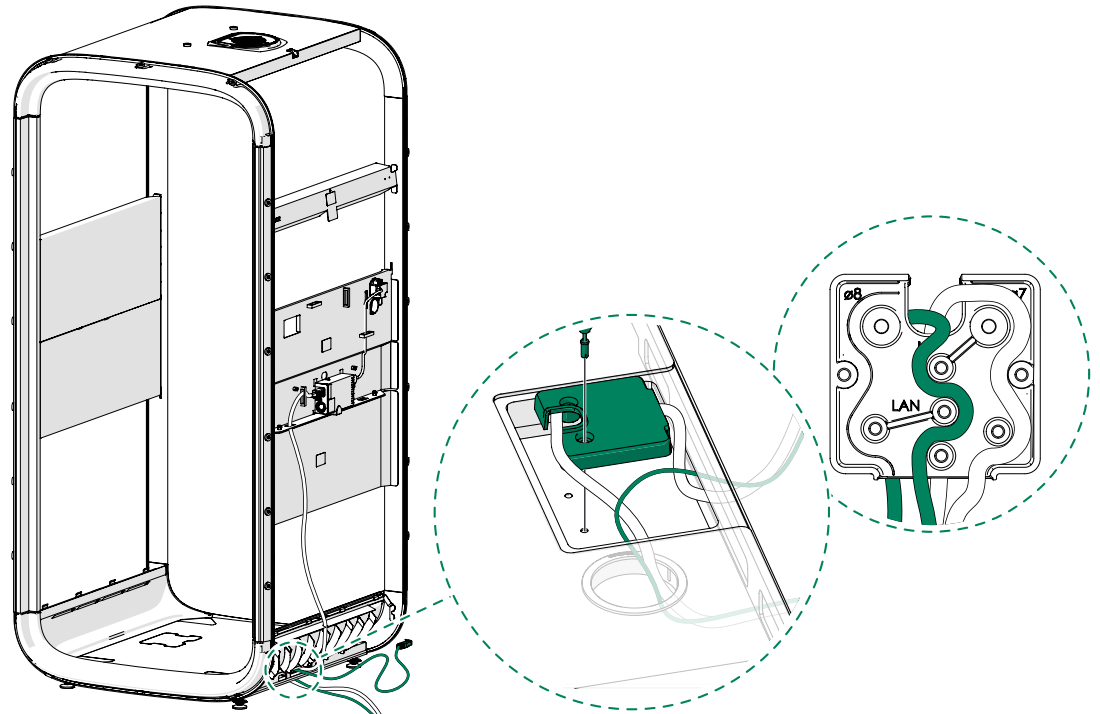


Note: Install the LAN cord at the same time as the power cord. Confirm the location of the network port that the pod will be connected to. Route the LAN cord according to the location of the network port.

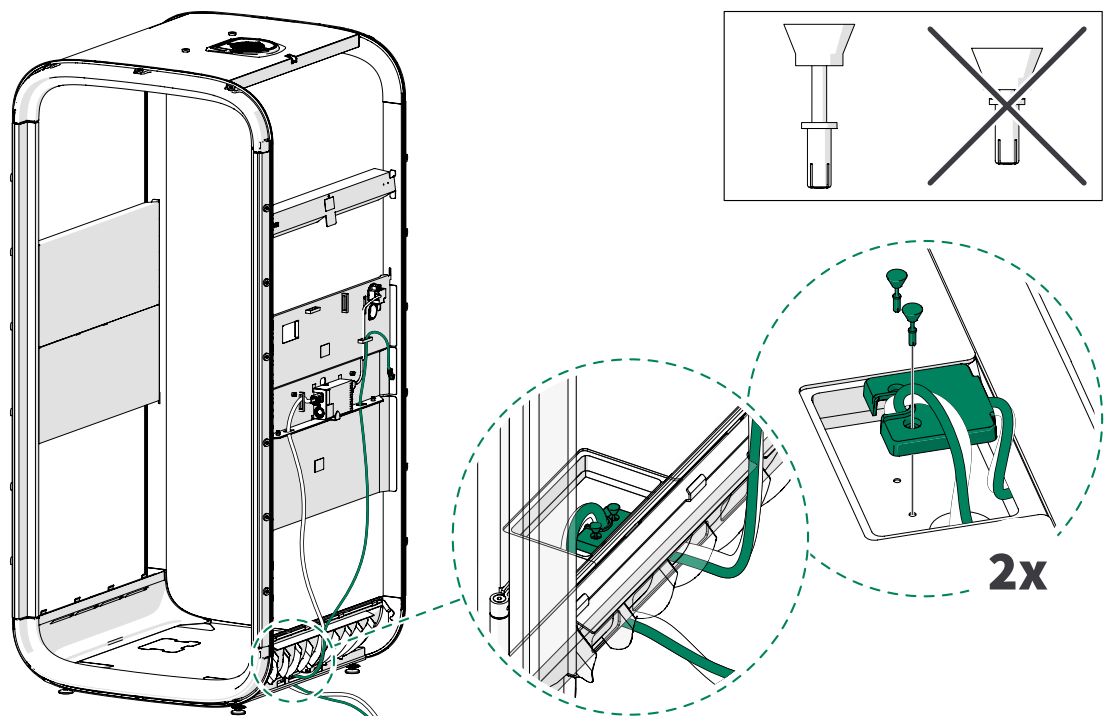
- If the port is located close to the bottom of the pod, route the LAN cord through the floor.
- If the port is located close to the top of the pod, route the LAN cord through the roof.

2.5.1.1 Route the LAN cord through the floor

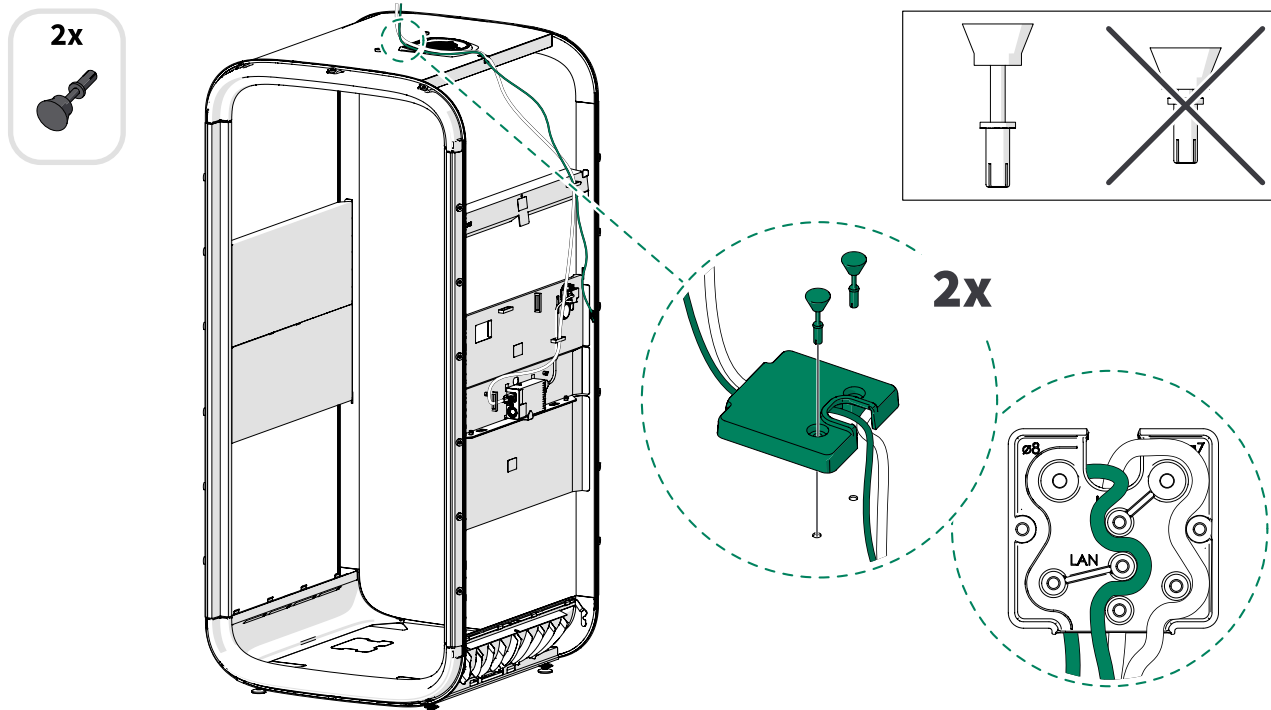
1.



2.

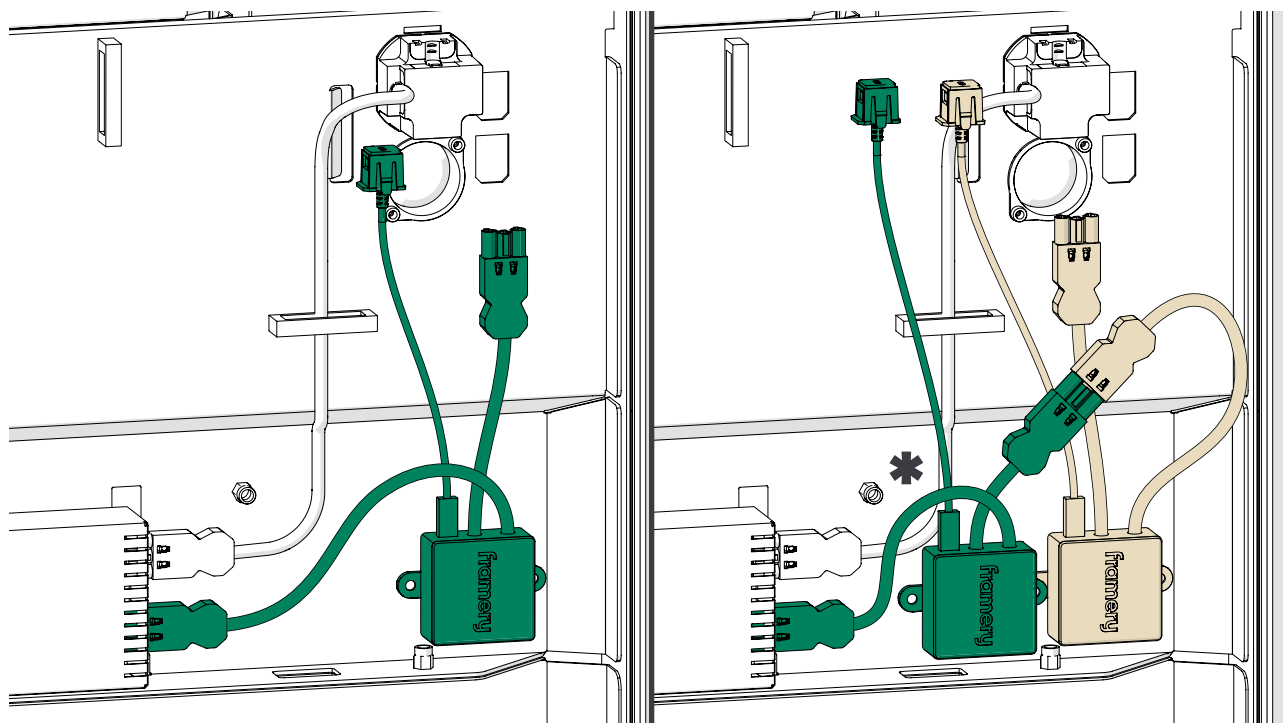


2.5.1.2 Route the LAN cord through the roof



2.5.2 Install the USB-C module (optional)

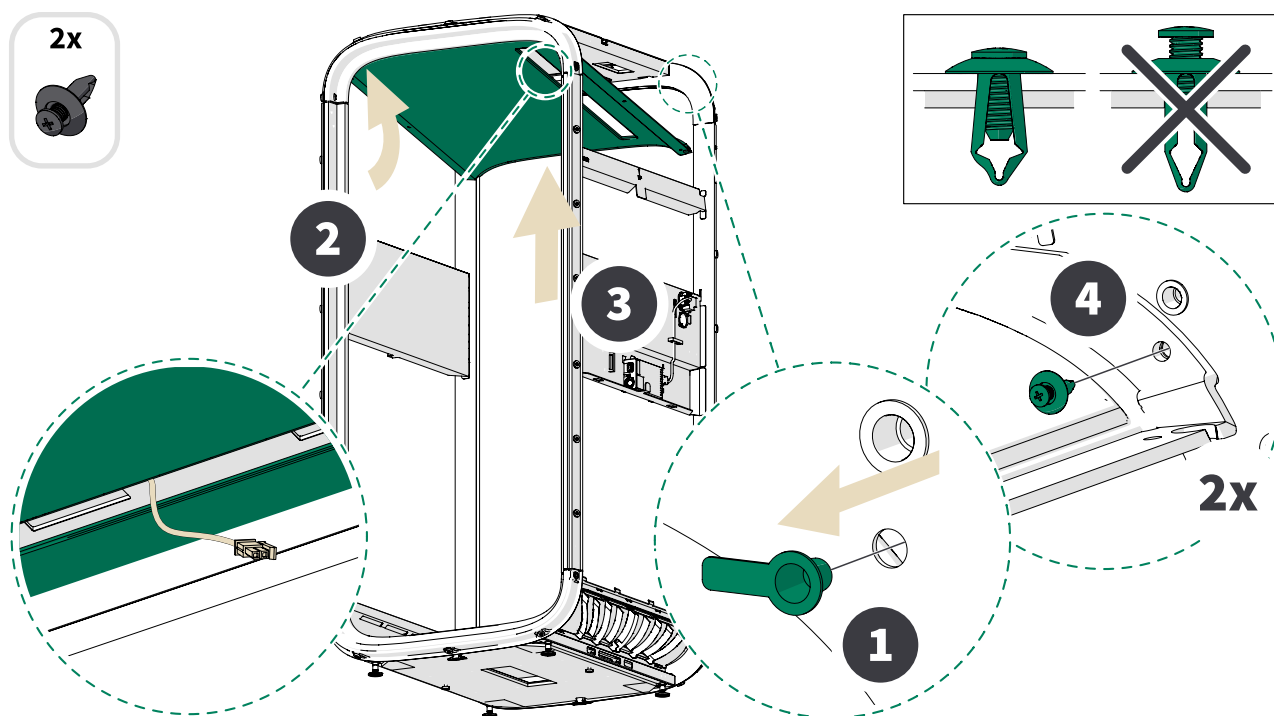
* = With two USB-C modules



3 Interior

3.1 Install the ceiling interior panel

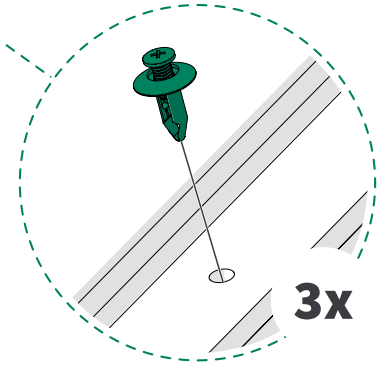
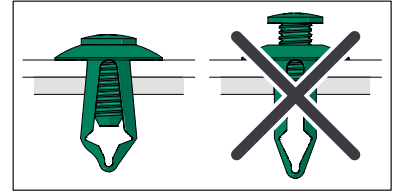
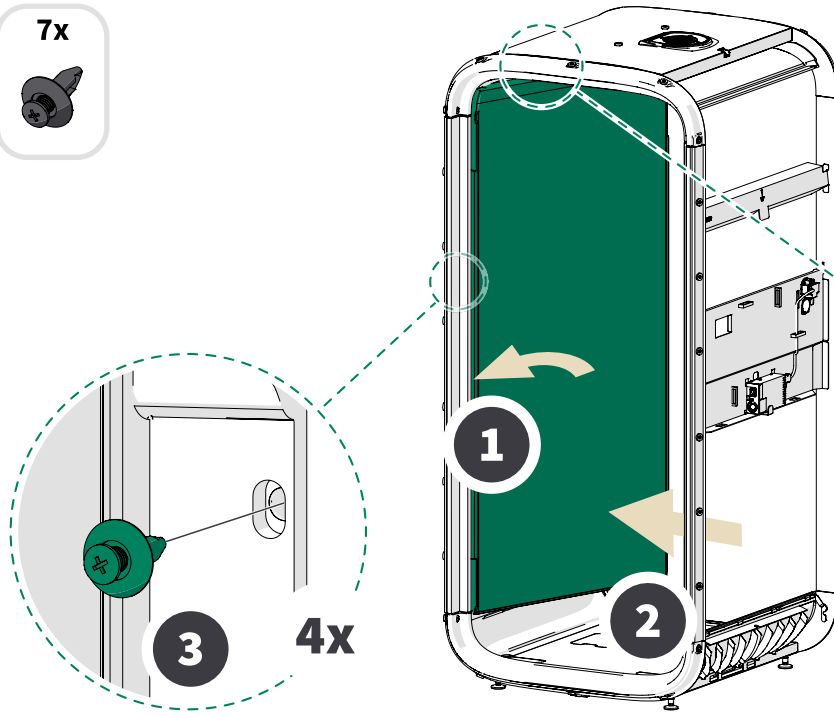
- ⚠ **Note:** The door side of the ceiling panel rests on a small rim on the front frame.
- ⚠ **Note:** Make sure that the electrical cords do not get pinned under the edges of the ceiling interior panel. The cords must be accessible from the techwall side.
- ⚠ **Note:** Push the rivets with a finger to fasten the panel, no tools are needed.



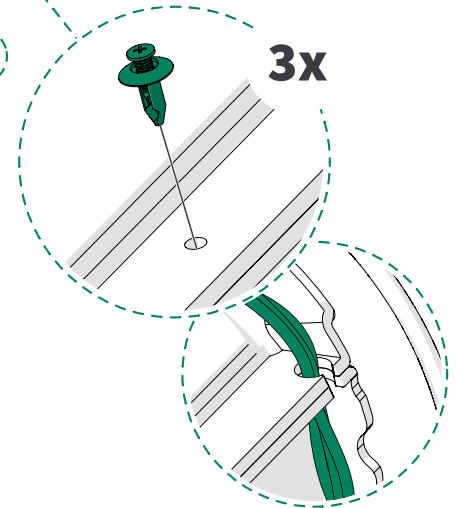
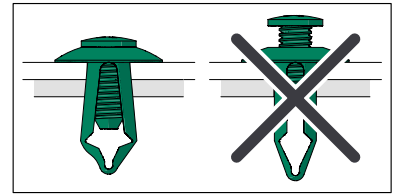
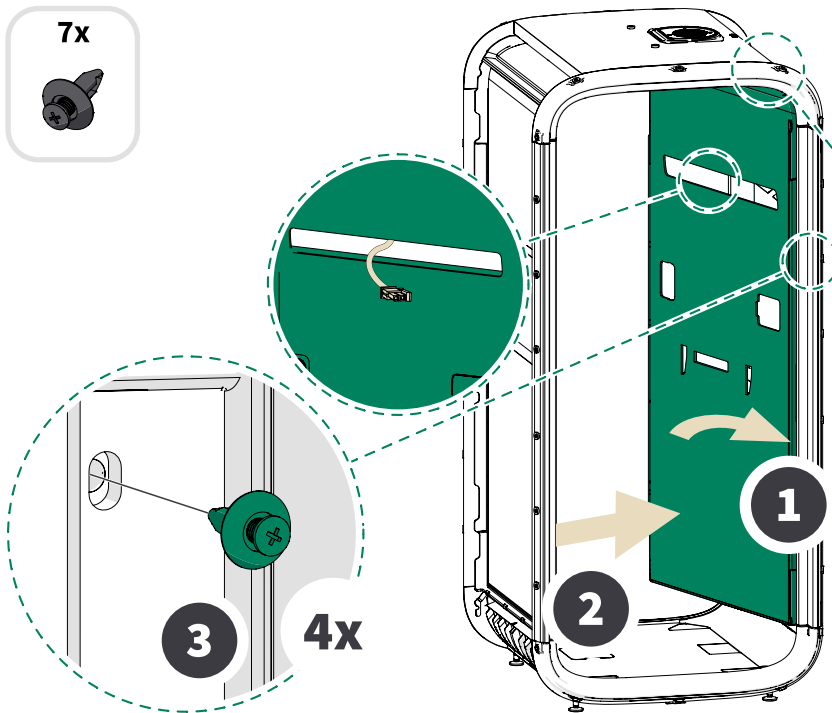
3.2 Install the wall interior panels

- ⚠ **Note:** Push the rivets with a finger to fasten the panels, no tools are needed.

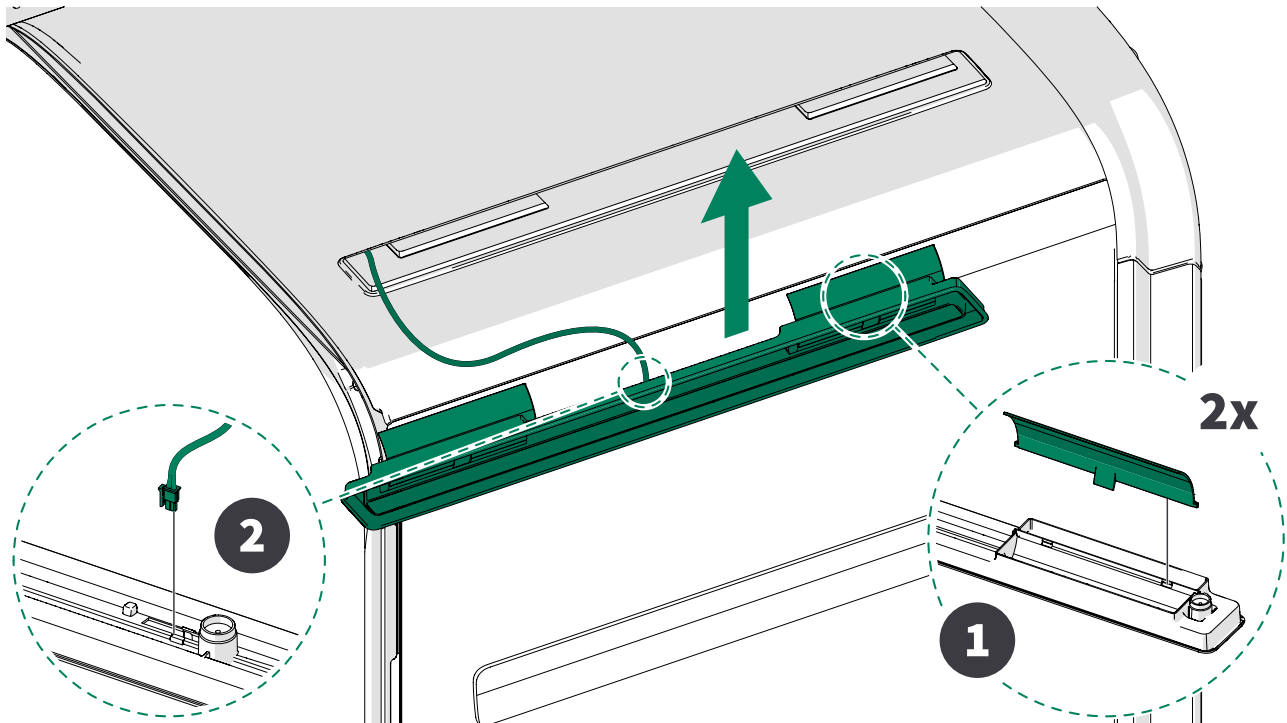
1.



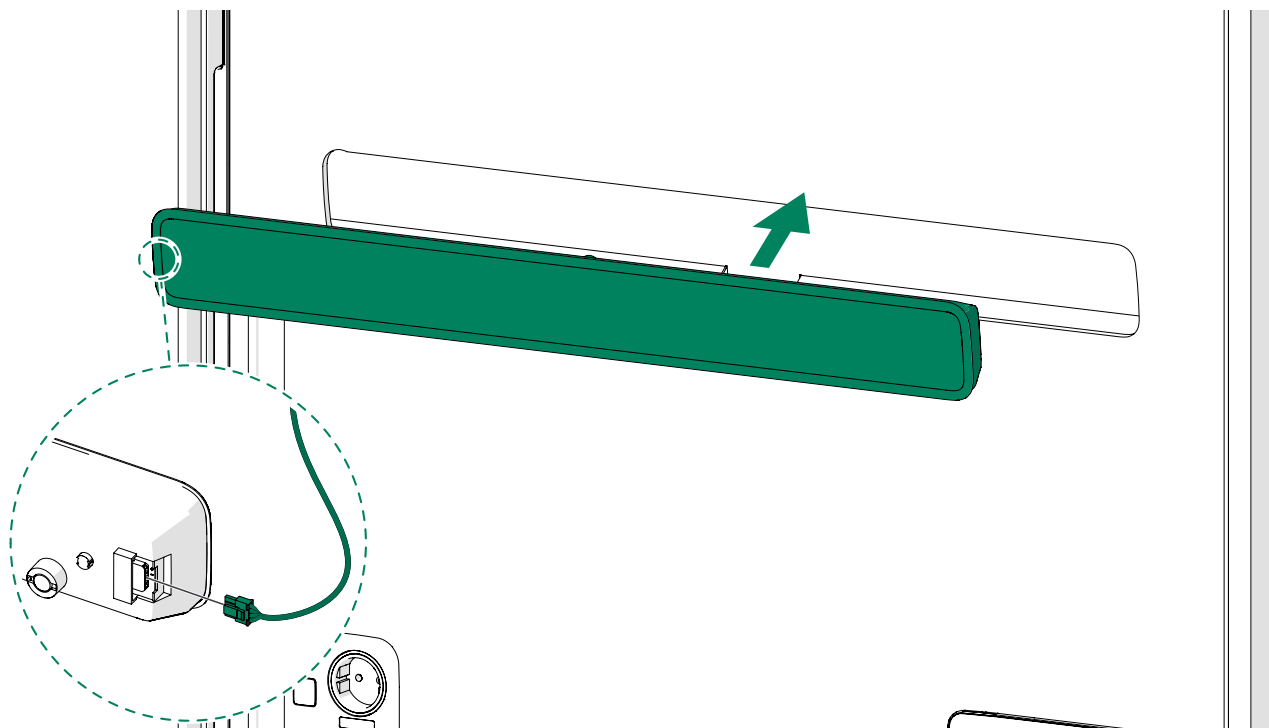
2.



3.3 Install the ceiling light

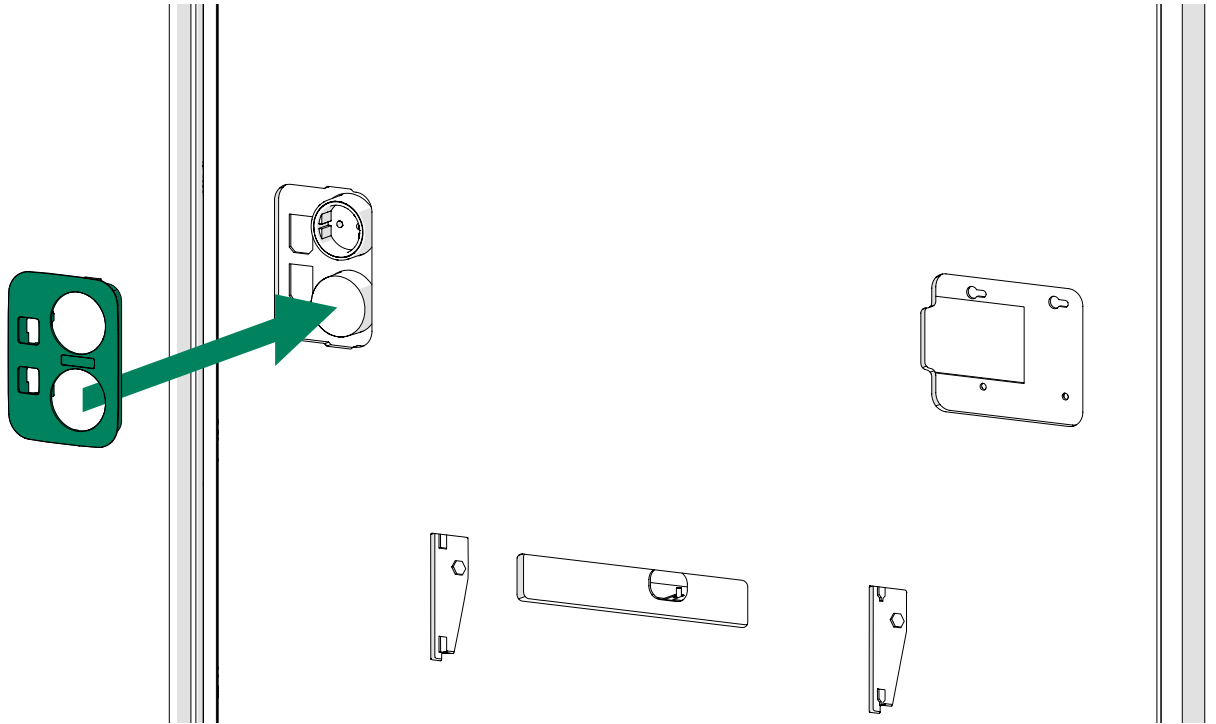


3.4 Install the wall light



3.5 Install the power outlet cover

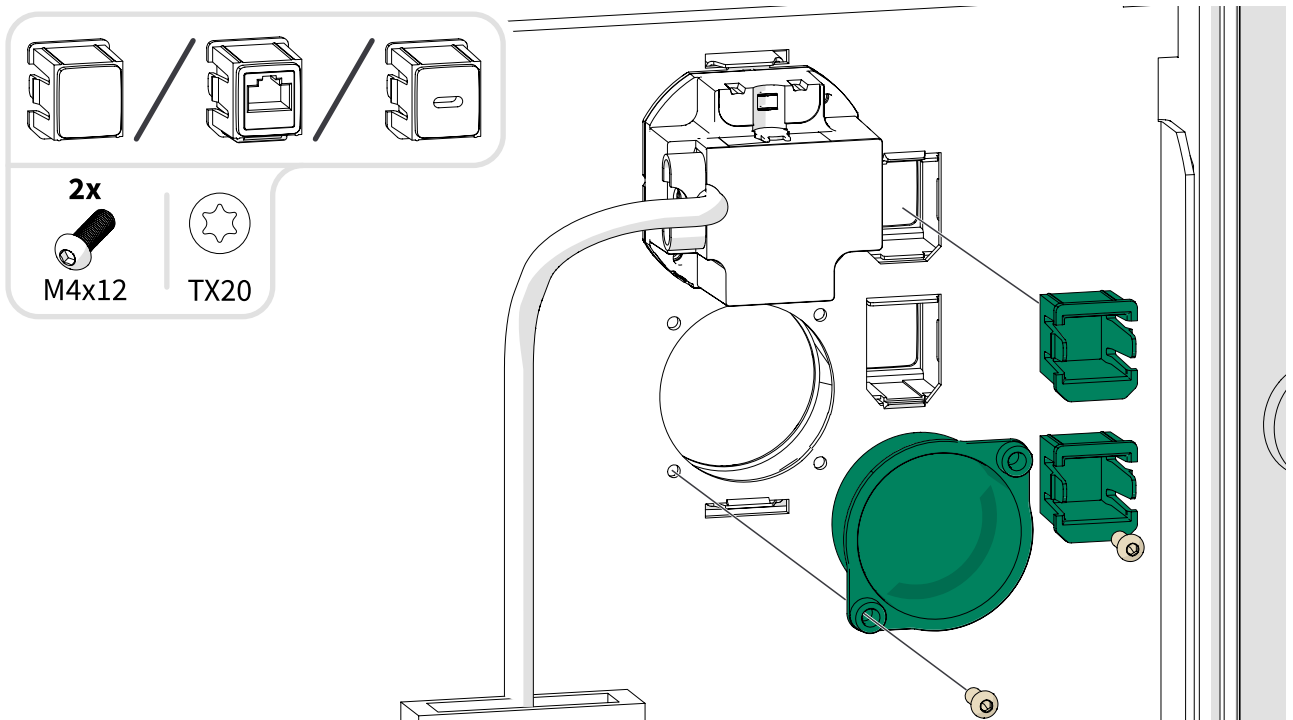
1.



2.

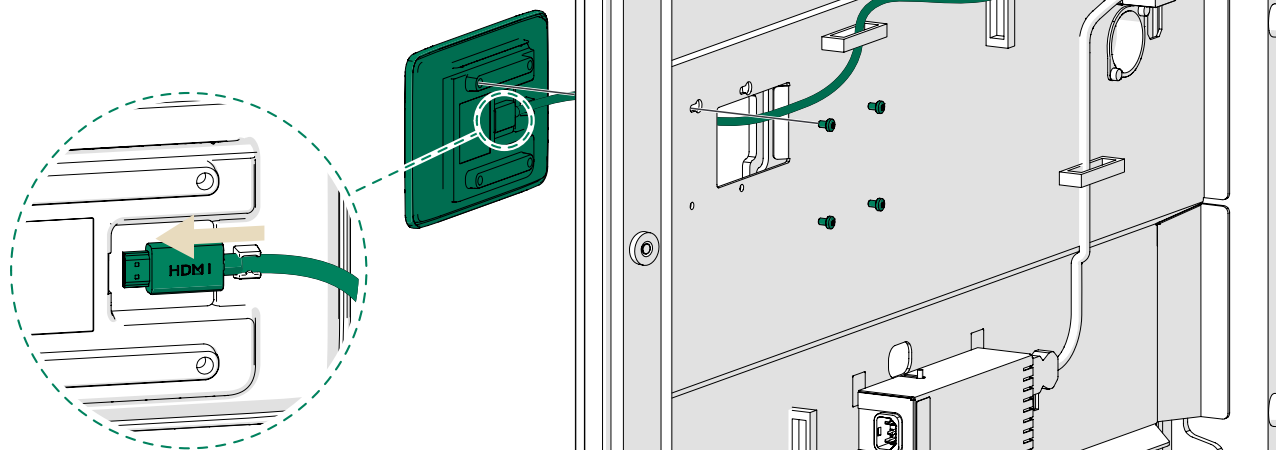
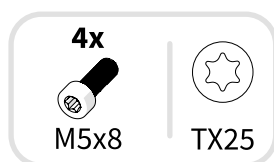


Note: If the delivery includes the optional LAN cord or USB-C module, install the appropriate keystone connectors instead of the blank plugs and connect the LAN or USB cords.



3.6 Install the touchscreen



1.

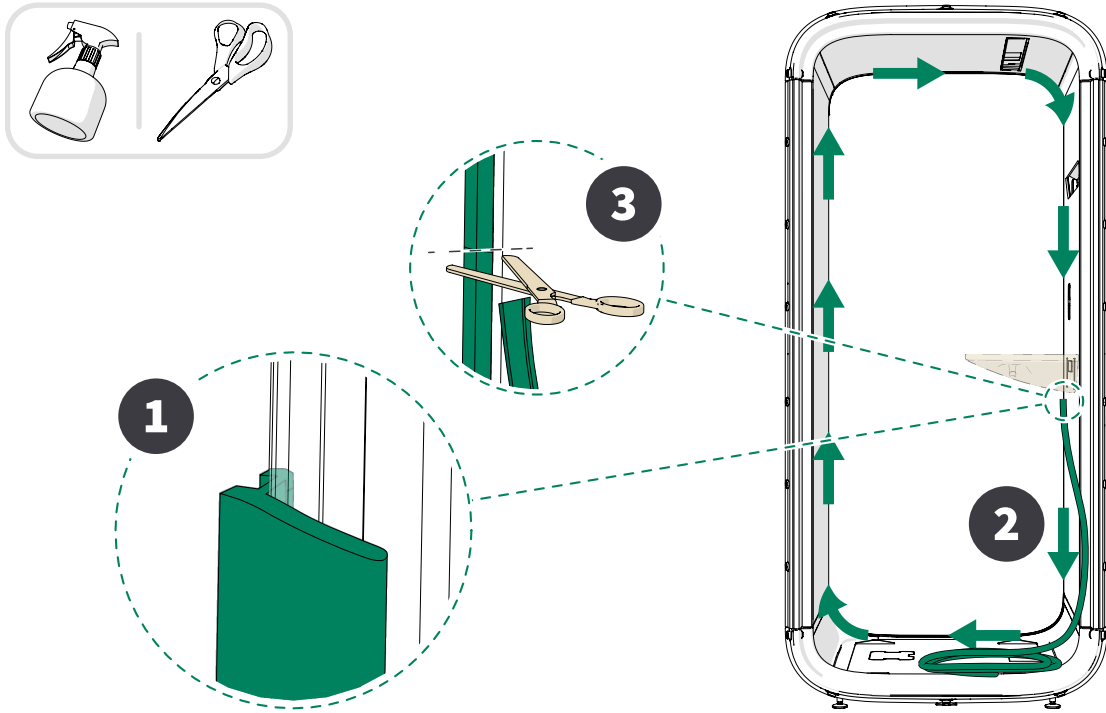


2. Test the electrics

- a. Connect the pod to a power outlet.
- b. Make sure that the touchscreen and both lights turn on.
- c. Disconnect the pod from the power outlet.

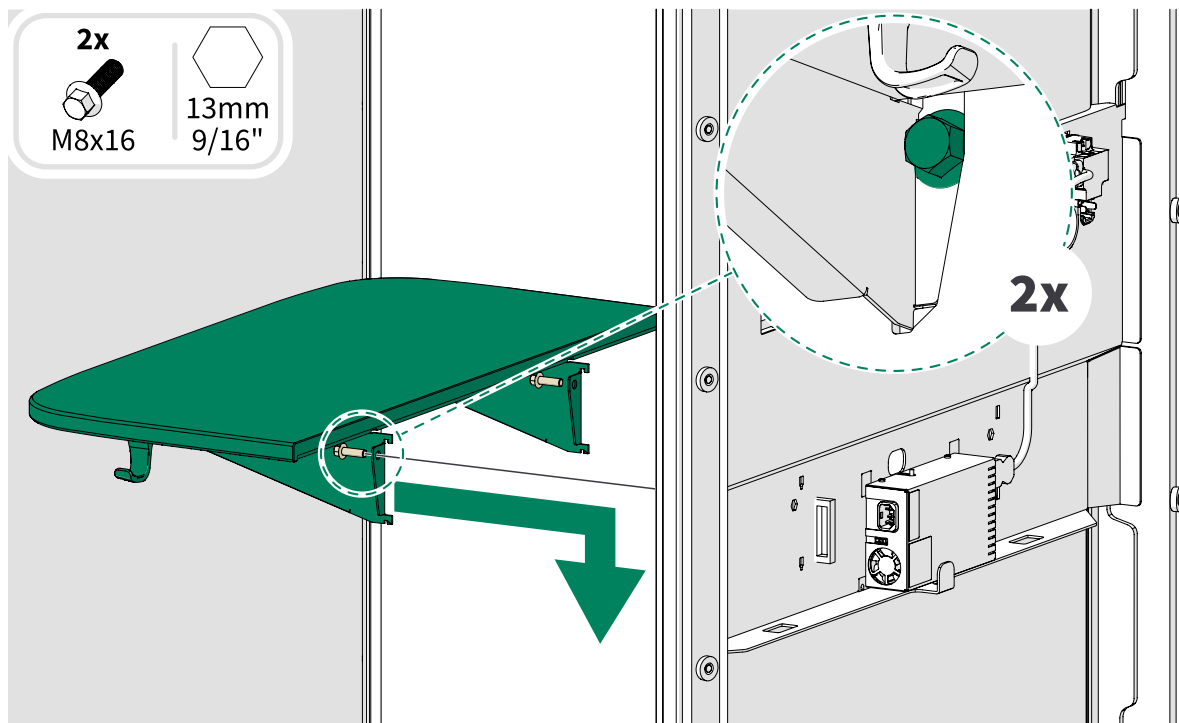
3.7 Install the wedge gasket

-  **Tip:** Use glass washing liquid as a lubricant to help install the gasket.
-  **Note:** When you cut off the excess gasket, keep the visible gap between the ends to a minimum.

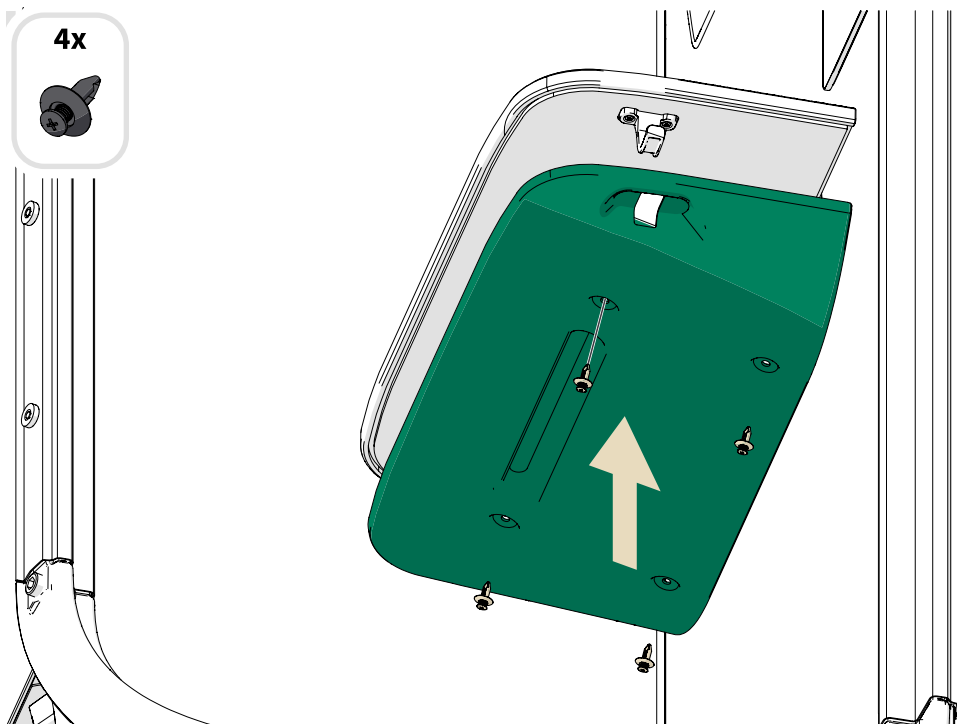


3.8 Install the table

1.

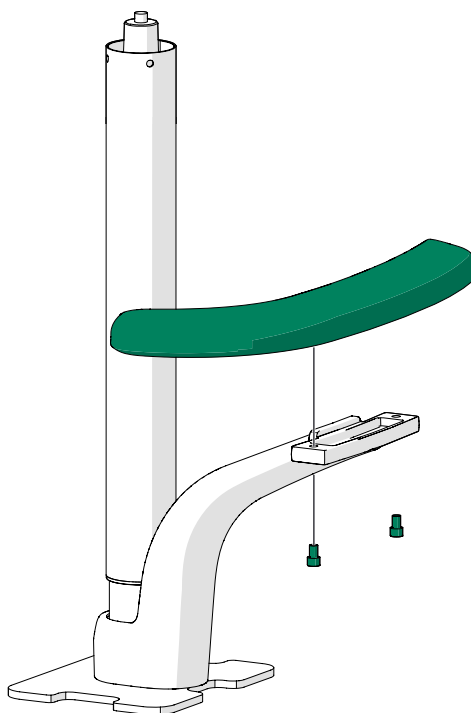
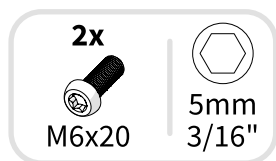


2.

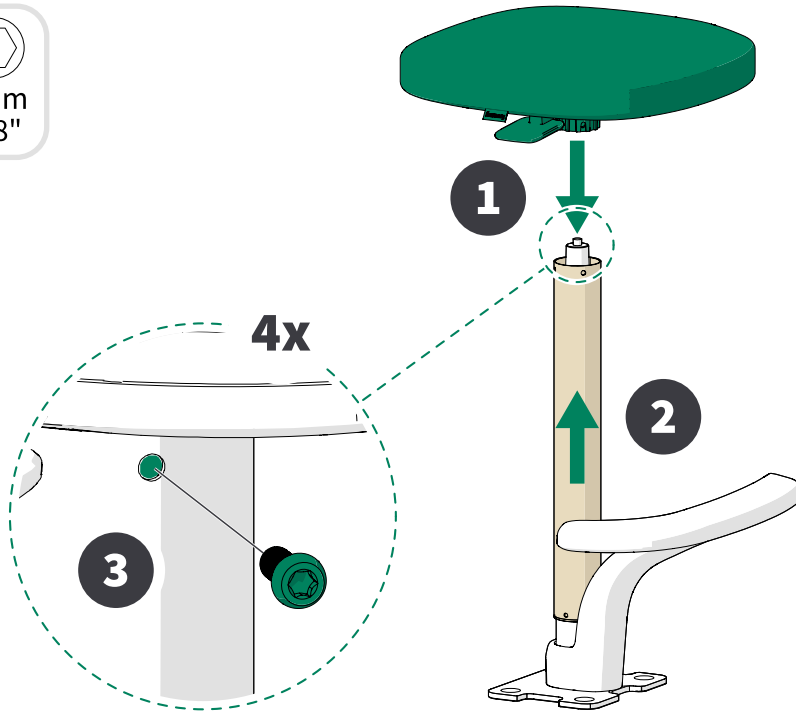
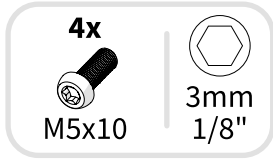


3.9 Install the seat (optional)

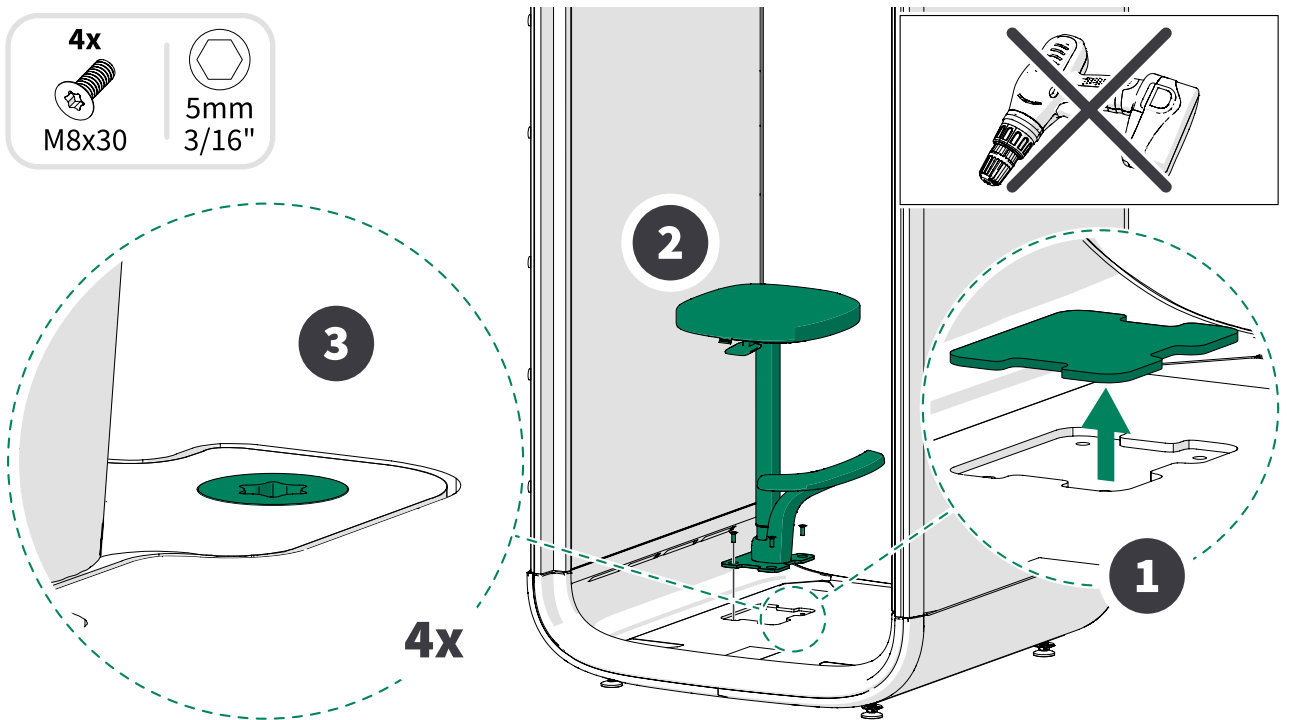
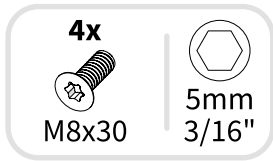
1.




2.

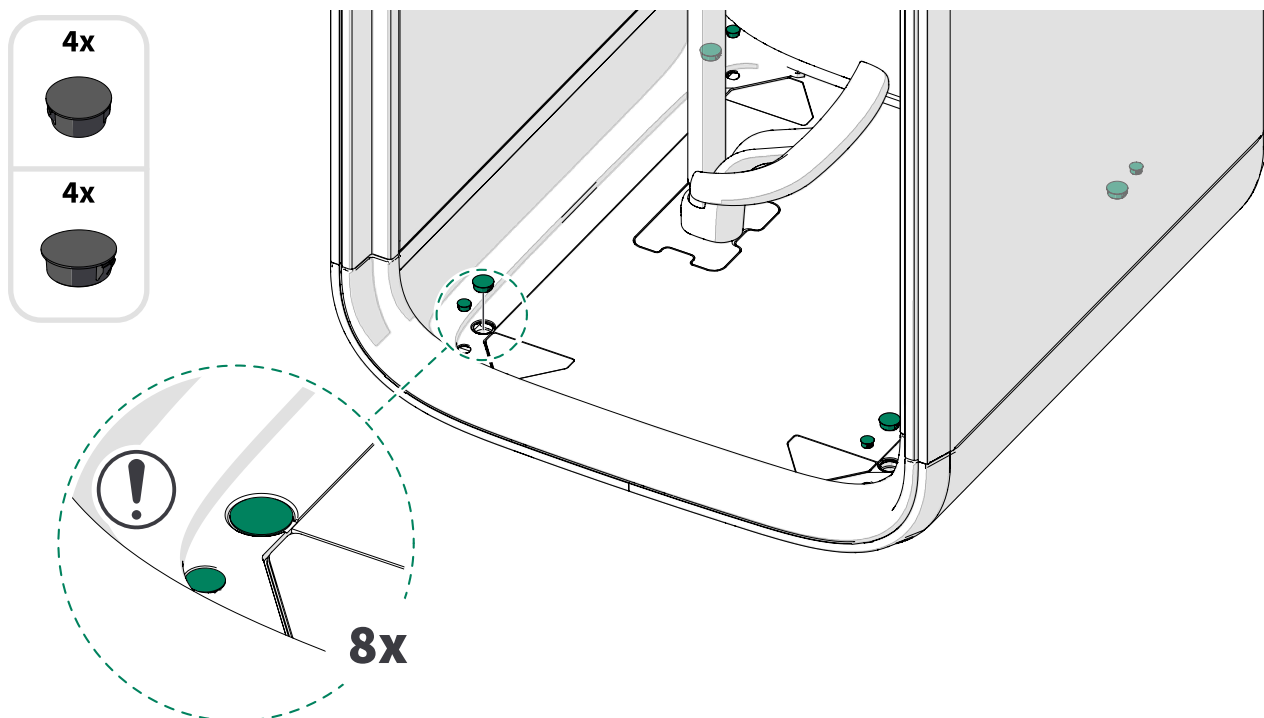



3.

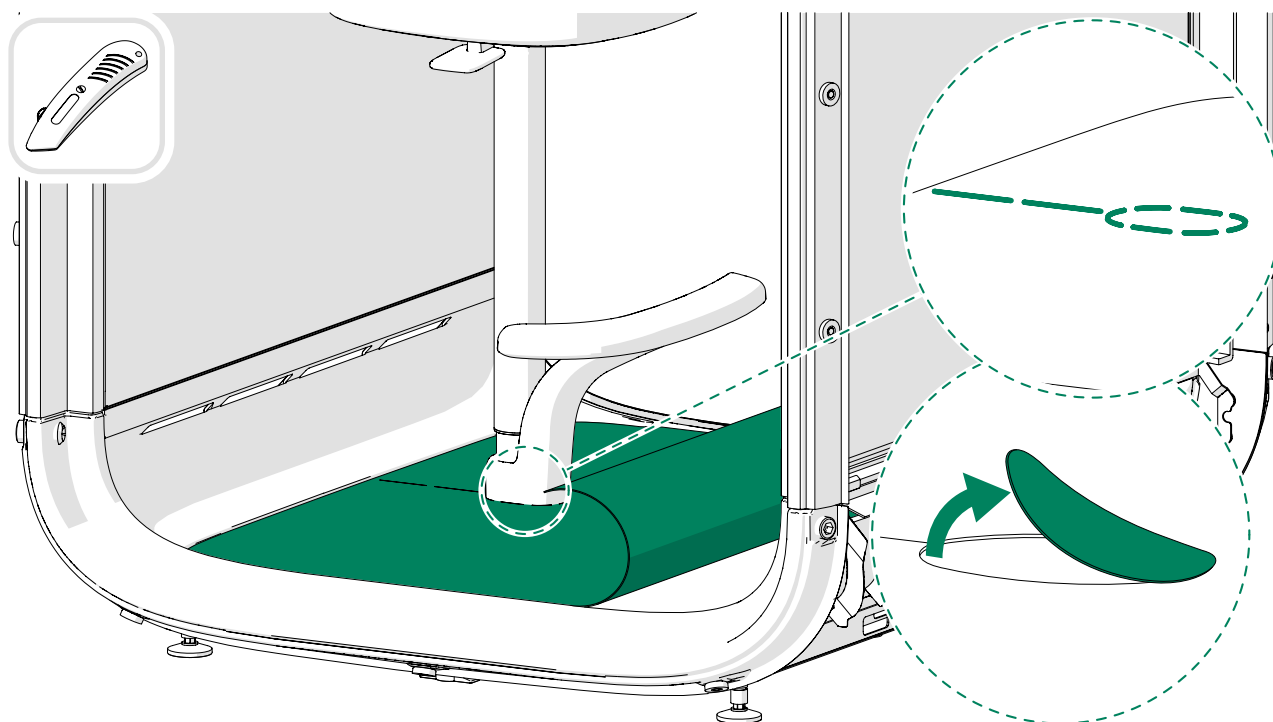


3.10 Install the carpet

1.  **Note:** Make sure that you install the plastic plugs to the floor.



2.  **Note:** If the pod delivery includes a seat, remove the pre-cut piece from the carpet. If the delivery does not include a seat, do not cut the carpet.

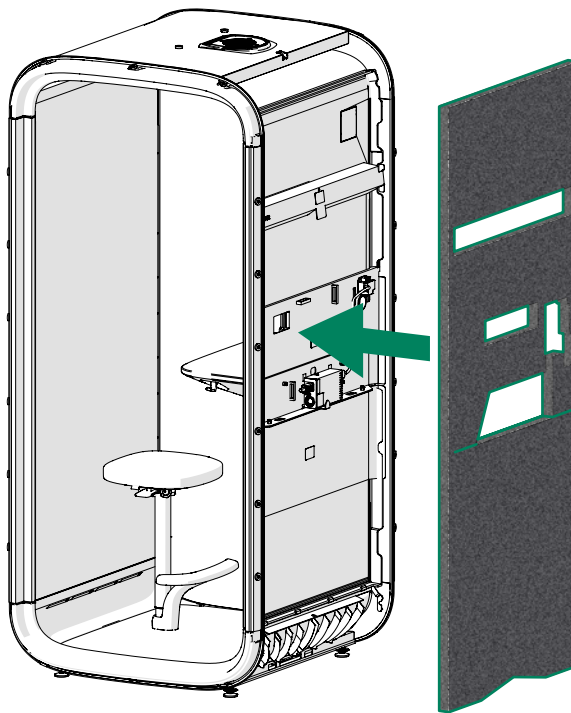


4 Insulation and exterior

- ⚠ **Note:** The acoustic panels are crucial for the pod soundproofing. Make sure that you install all four of them.

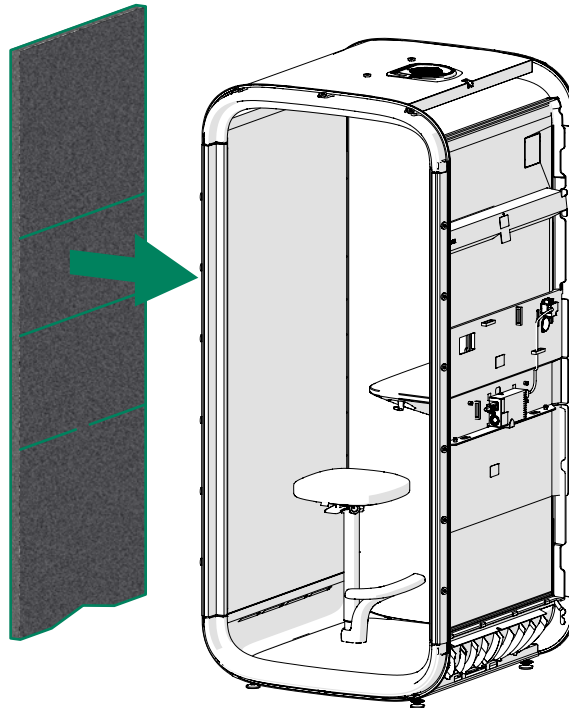
4.1 Install the table wall acoustic panel 1

- ⚠ **Note:** Before installing the acoustic panels, make sure that the interior panels are properly installed.
- ⚠ **Note:** Make sure that the wall light stays in place.



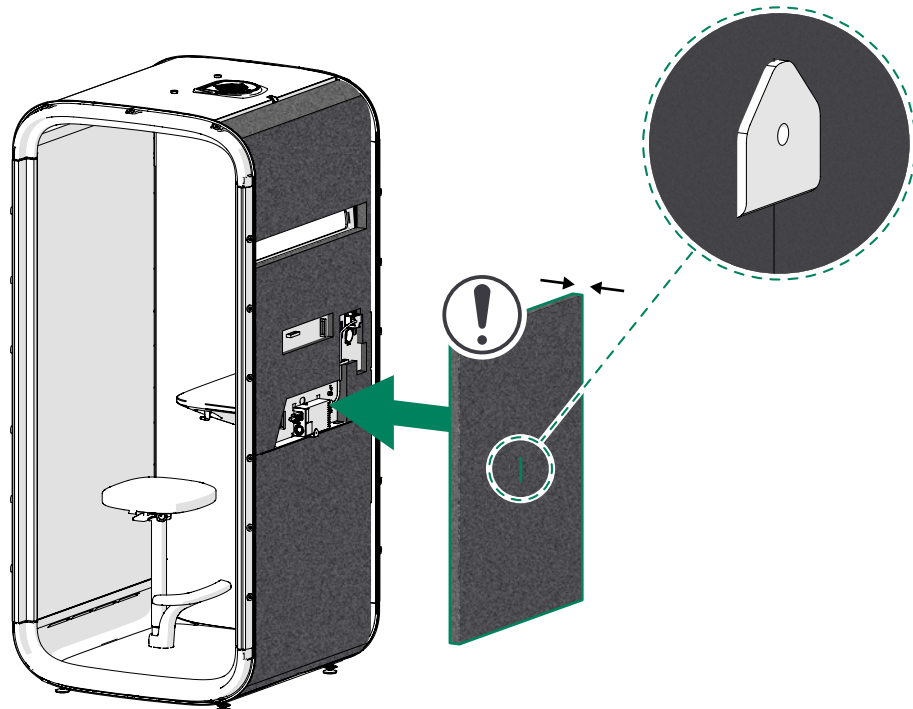
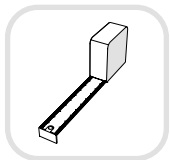
4.2 Install the back wall acoustic panel 1

- ⚠ **Note:** Before installing the acoustic panels, make sure that the interior panels are properly installed.



4.3 Install the table wall acoustic panel 2

⚠ **Note:** One of the small acoustic panels is thicker than the other. Install the thinner (black) panel on the table wall side.

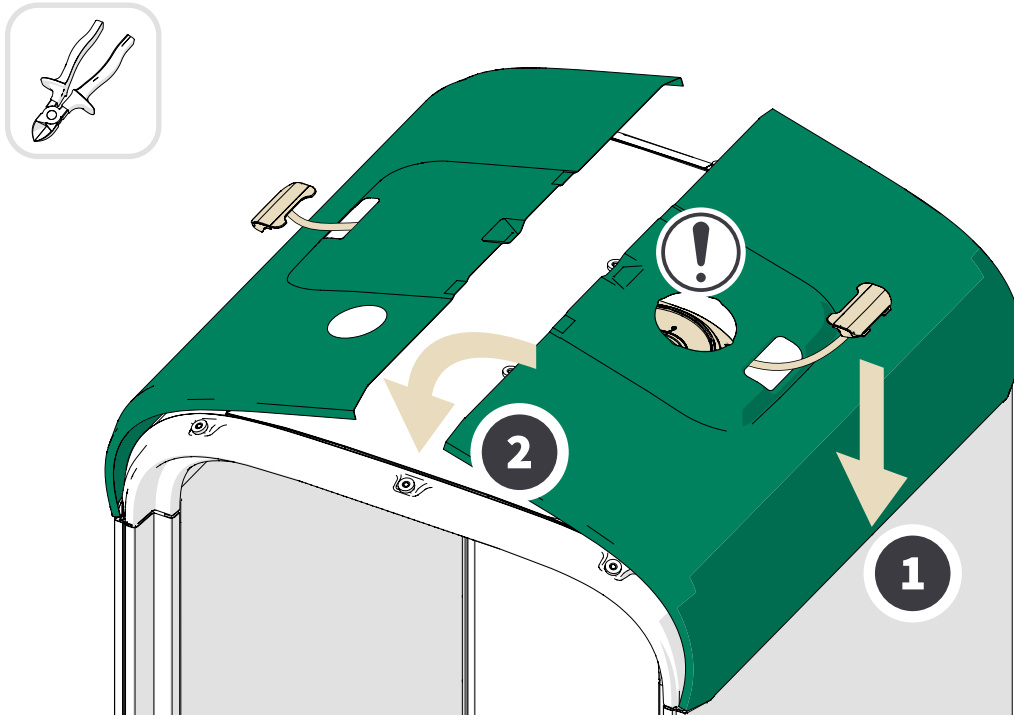


4.4 Install the back wall acoustic panel 2

⚠ **Note:** One of the small acoustic panels is thicker than the other. Install the thicker (white) panel on the back wall side.

4.6 Install the roof exterior panels

- ⚠ **Note:** Minimize the gap in the seams of the roof exterior panels. Make sure that the roof exterior panels connect seamlessly to the body of the pod.

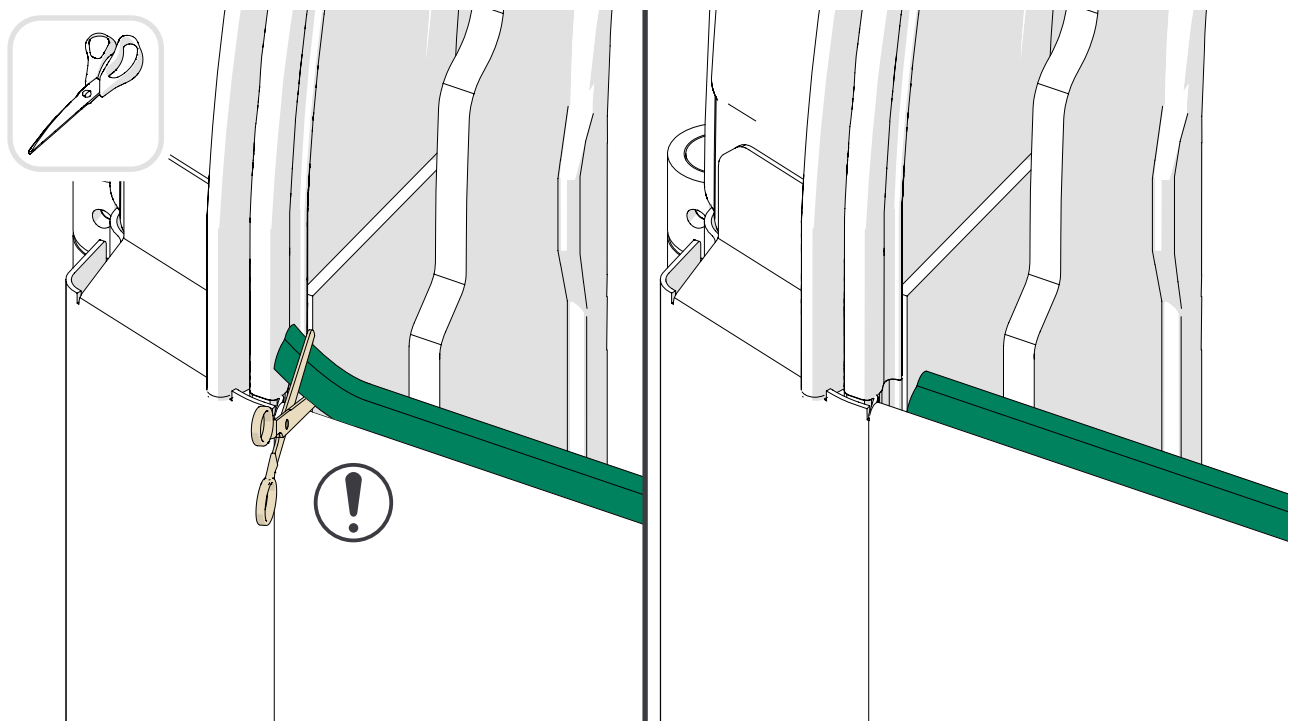


4.6.1 Adjust the roof exterior panels

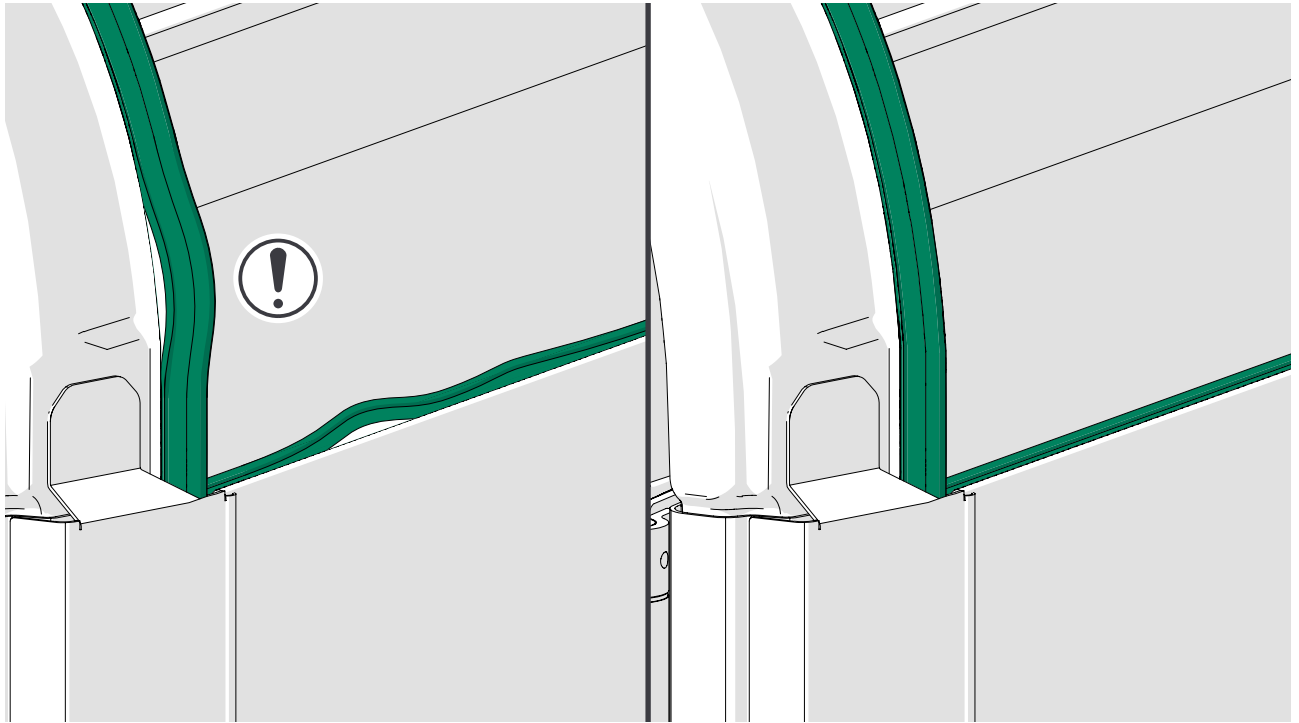
Adjusting the roof exterior panels is necessary, if:

- The gap between the panels is too wide.
- Panel edges are outside the frame in the corners.
- Panels are misaligned. The gap between the panels should be even all the way.

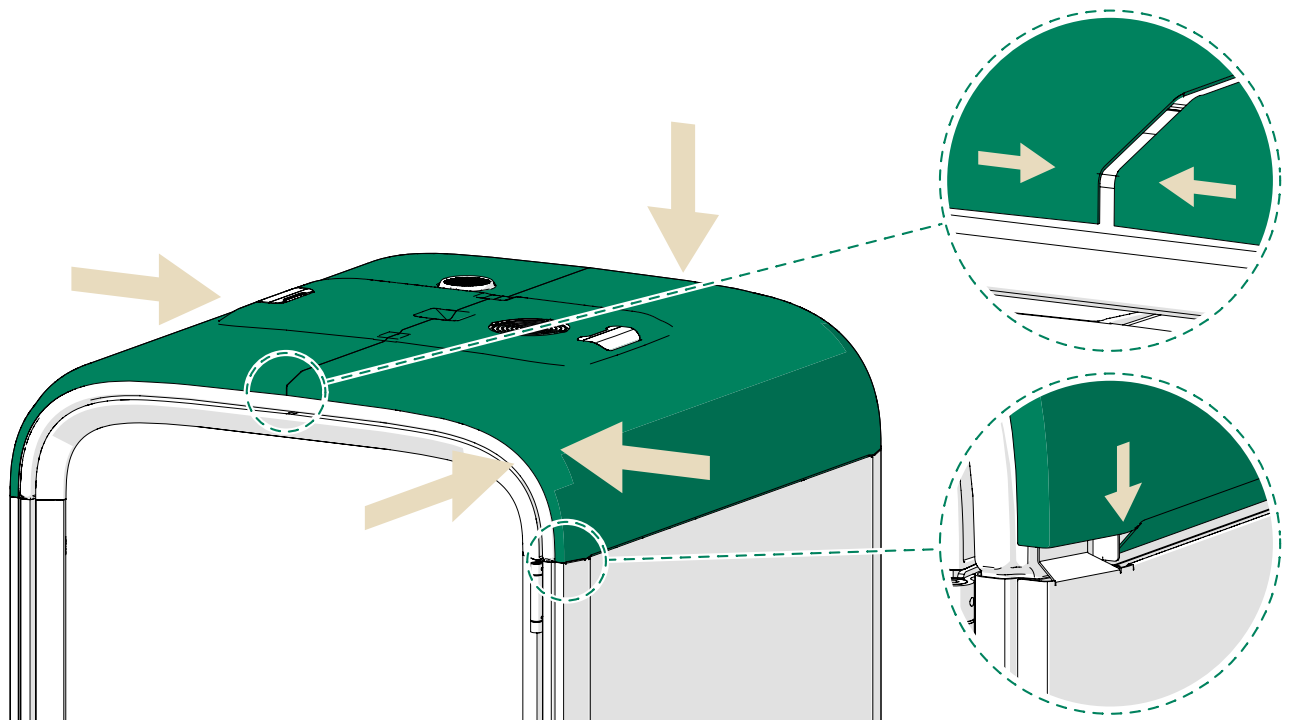
1. Make sure that the wall panel gaskets are installed properly.



2. Make sure that the frame gaskets are installed properly.

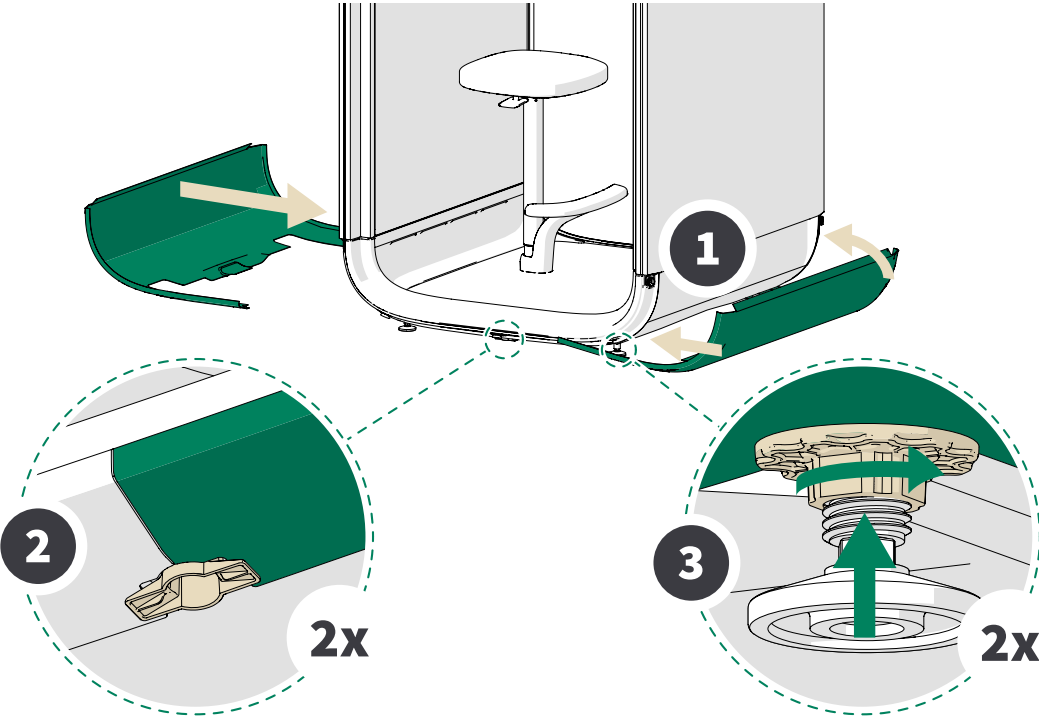


3. Make sure that the wall exterior panels have been tightened properly.
4. Make sure that the occupancy light cables are routed around the fans, not over them.
5. Push the acoustic panels inwards.
6. Gently tap the exterior panels from all sides to make them fit tightly.



4.7 Install the bottom exterior panels

- ⓘ **Note:** Slide the bottom exterior panel in place carefully. Avoid bending or damaging the long flaps that connect to the hook on the bottom of the pod.
- ⓘ **Note:** Tighten the nuts just lightly.



5 Door

5.1 Install the door

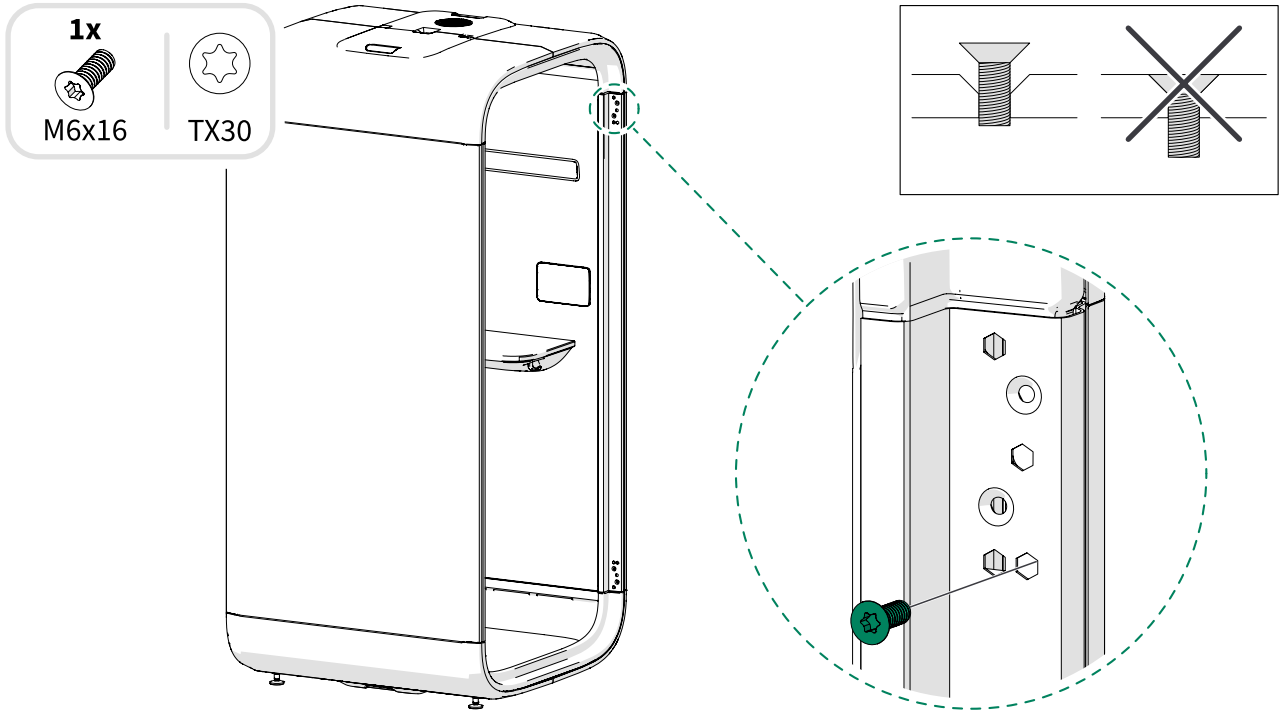


Warning: Do not lift the door from the handle when unpacking it.

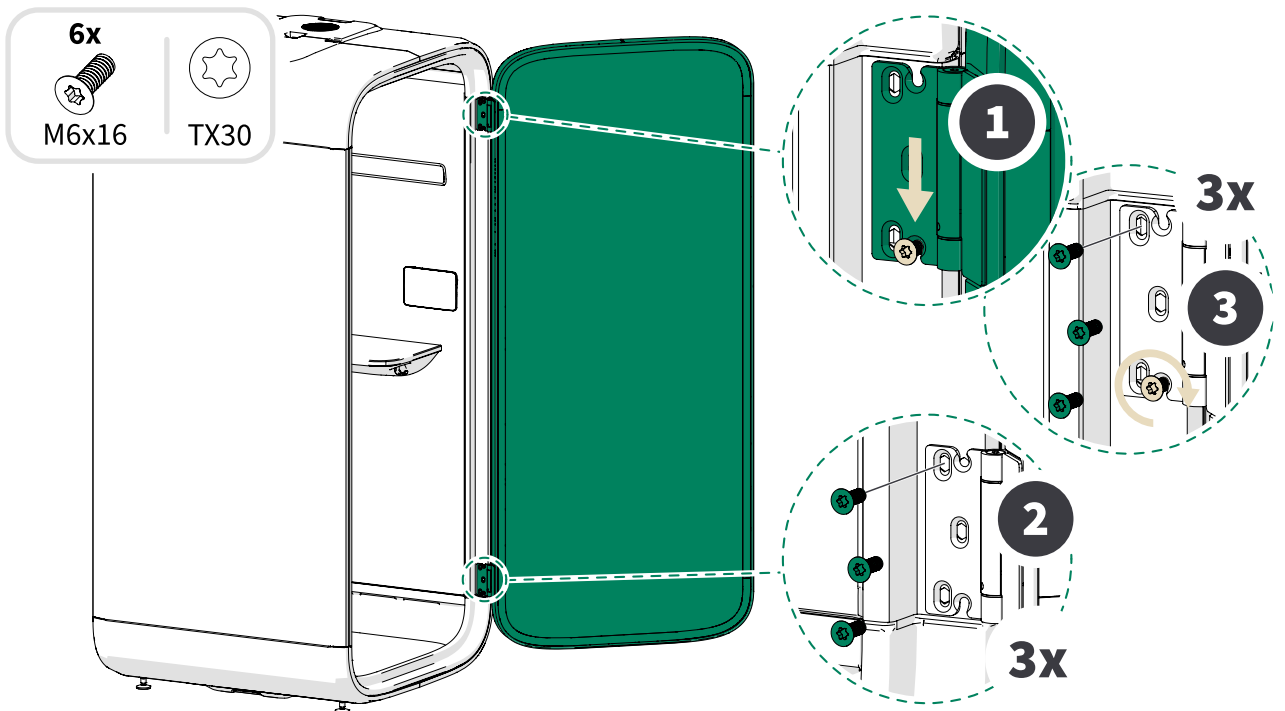


Note: Make sure that the positioning screw is installed first. After the door installation, check that the door shuts well and seals properly. If not, check that the pod is level and add the provided shim plate(s) under the bottom hinge if needed.

1.



2.



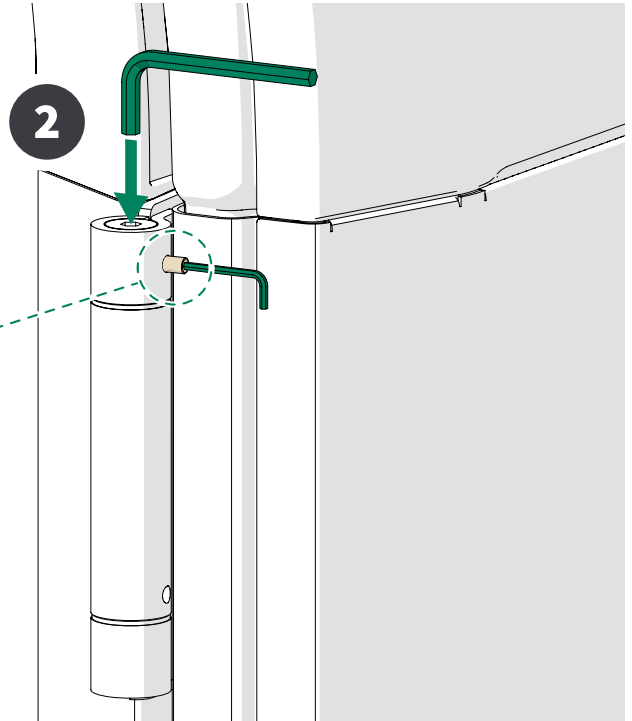
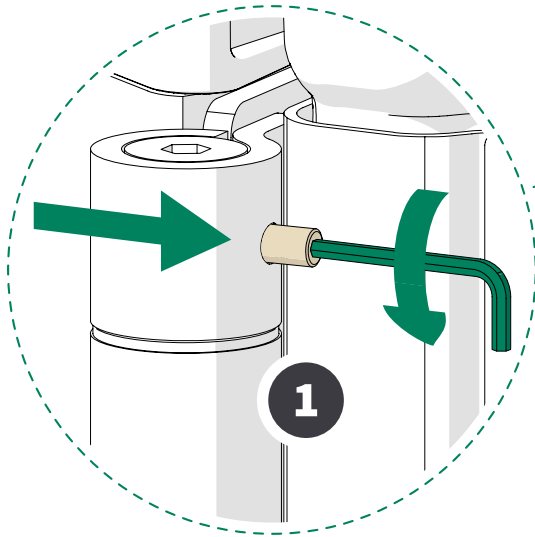
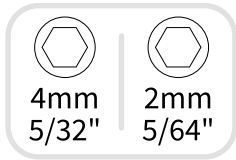
⚠ **Note:** Make sure that the seal between the door frame and glass is well seated after installation.

5.2 Adjust the closing speed of the door

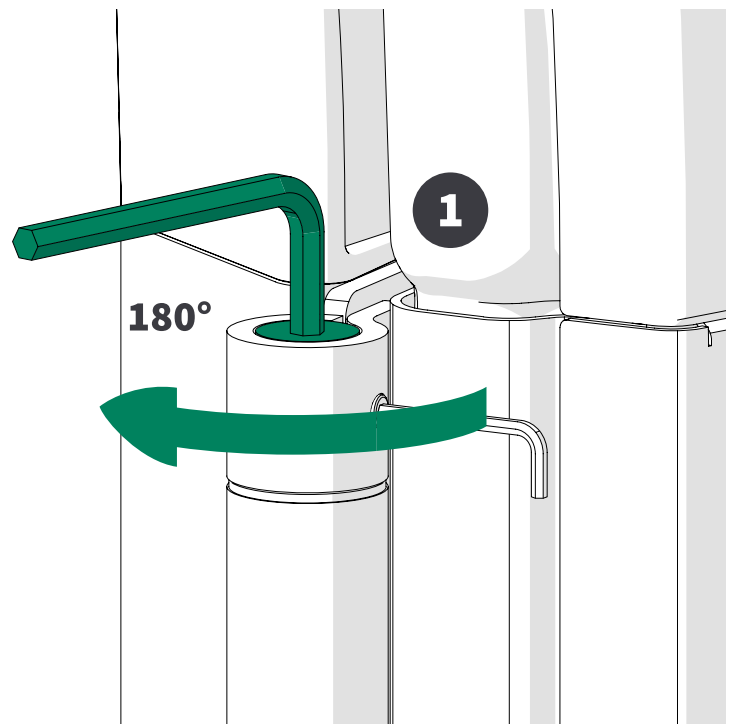
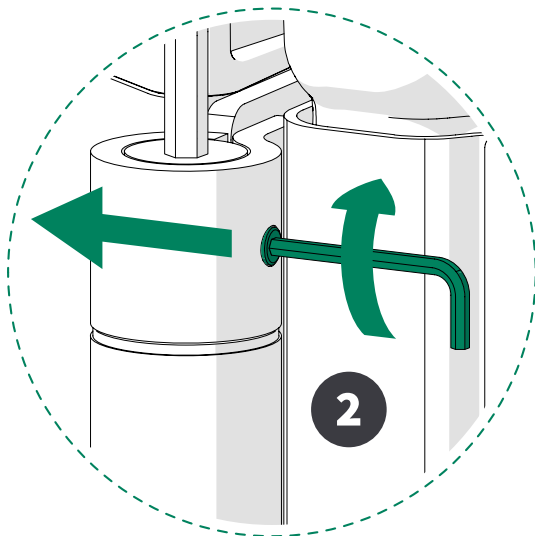
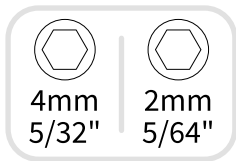
⚠ **Note:** If you have a left-handed door, adjust the spring counter-clockwise.

⚠ **Note:** Make sure that you adjust both hinges to the same setting.

1.



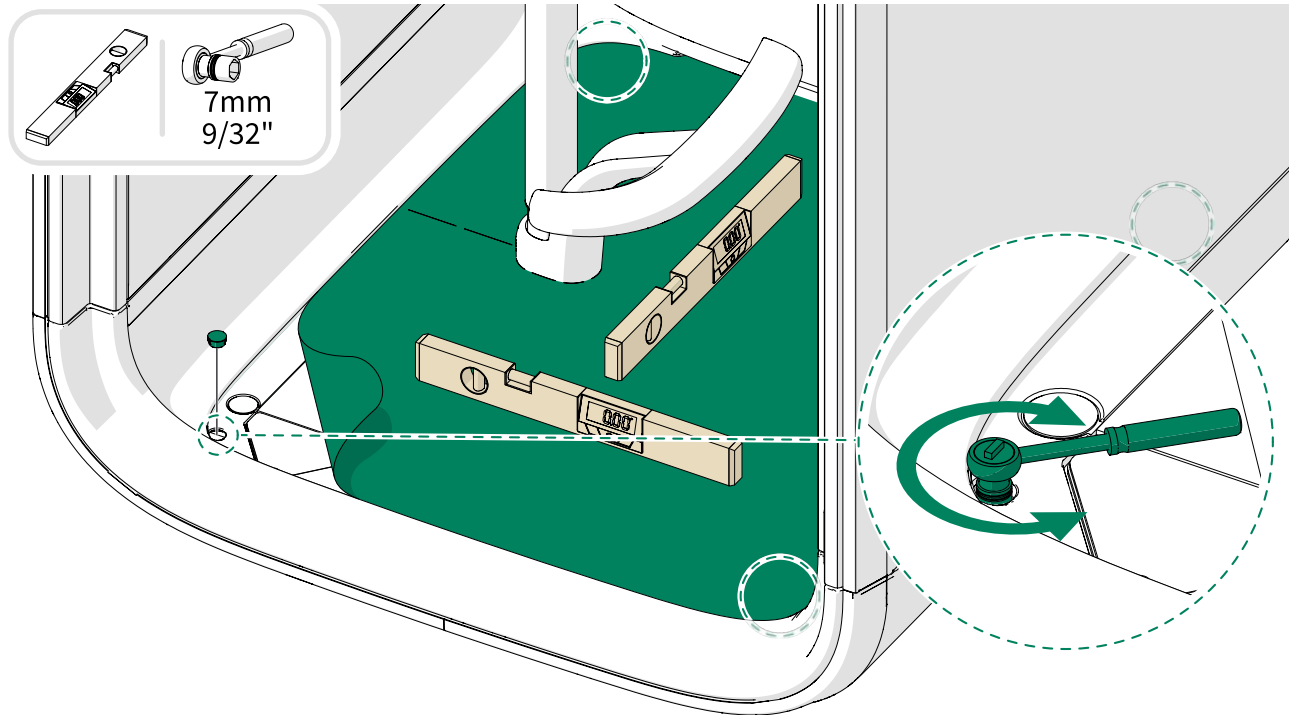
2.



6 Finalize the installation

1. Level the floor.

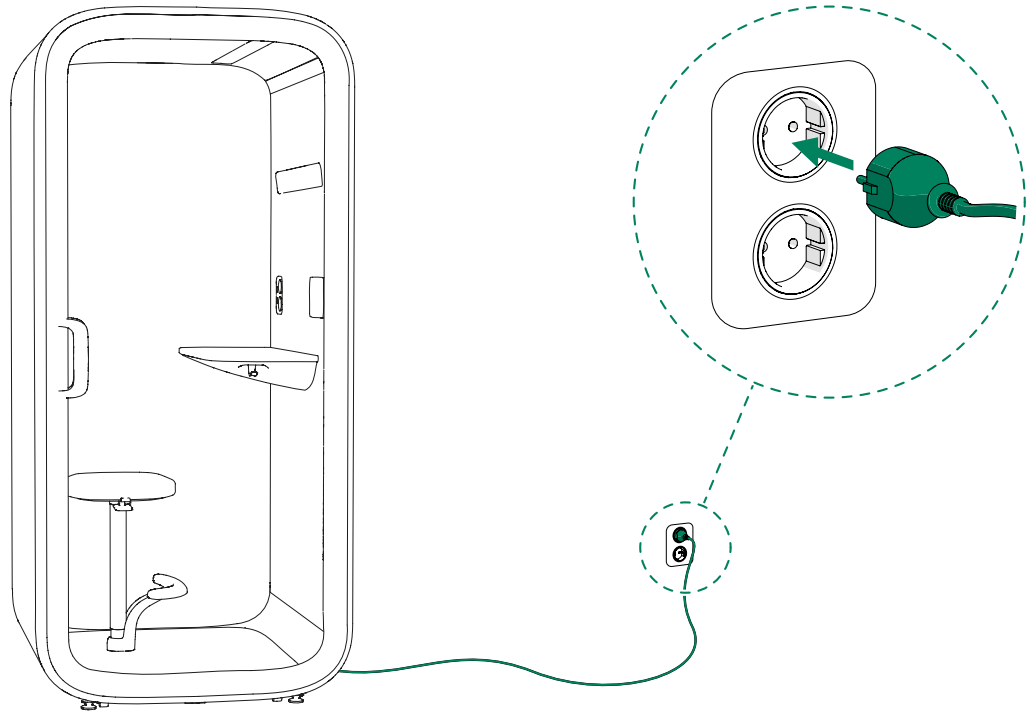
⚠ **Note:** It is only necessary to re-level the pod if it was moved on the optional casters after assembly.




2. Clean the glasses with window cleaner.



3. Connect the pod to a power outlet and connect the LAN cable.



4. Scan the QR code on the touchscreen to open the installation report.

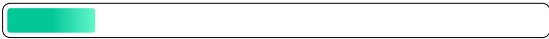



DO NOT UNPLUG

Setup in progress

1. Automatic testing for lights, fans and screen
2. Do not unplug if screen turns off temporarily
3. Fill the installation report on **service.framery.com** or use the QR code
4. Finish setup by selecting pod type

RUNNING TESTS - APPROX. 10 MIN. 33%

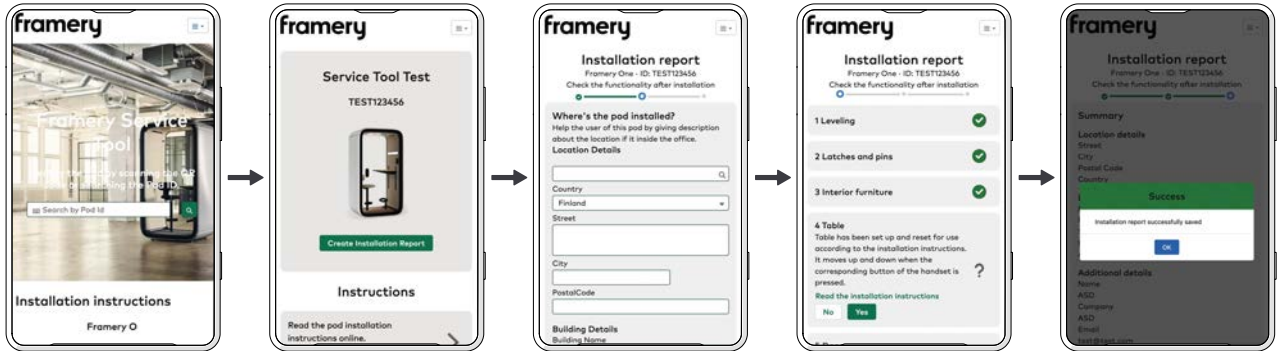




an to open service.framery.com

POD ID
N2A4B

- Follow the instructions in the Service Tool and fill out the installation report. The pod ID is displayed on the touchscreen during setup.



framery

Framery One Compact

Installation instructions

Patamäenkatu 7

33900 Tampere

FINLAND

VAT: FI 23527139