

Framery One Compact

Fire safety

English  
Version 1.3

Tampere, Finland 27.04.2026

# Contents


<b>1 Important safety and product instructions.....</b>	<b>3</b>
1.1 Preface.....	3
1.2 Product information.....	3
1.3 Copyright.....	3
1.4 Manual contents.....	3
<b>2 Installation requirements.....</b>	<b>4</b>
2.1 Installation locations for junction box and sprinkler / stand-alone fire suppression device.....	4
2.2 Installation dimensions.....	5
2.3 Tools and accessories.....	7
<b>3 Installing a fire alarm notification device (strobe, strobe-horn, speaker, speaker-strobe).....</b>	<b>8</b>
3.1 Install junction box and alarm, OPTION 1.....	8
3.2 Install junction box and alarm, OPTION 2.....	18
<b>4 Install a fire suppression device (sprinkler or stand-alone device).....</b>	<b>29</b>
4.1 Install the cease fire.....	34
4.2 Install the sprinkler (hard pipe or flexible pipe).....	38

# 1 Important safety and product instructions

## 1.1 Preface

This instruction manual describes the installation of the product. Everyone involved in installing the product must read and understand the contents of the installation and safety instructions.

This instruction manual gives you necessary information for the correct installation of the product.

 **Note:** Proper installation of fire safety devices according to these instructions does NOT void the product warranty.

For complete product and safety instructions, see [help.framery.com](https://help.framery.com).

## 1.2 Product information

The information in this manual corresponds to the product at the time of delivery. All information included in this manual is valid at the time of publication.

## 1.3 Copyright

This document must not be copied, presented, or delivered to a third party without explicit permission from Framery. The use of this document for any purpose other than those allowed by Framery is prohibited. Framery reserves the right to change the instructions related to the product without separate notice.

## 1.4 Manual contents

The installation instructions contain the following information:

- General information about the purpose and content of the instructions
- Information related to safety
- Installation instructions

## 2 Installation requirements

### 2.1 Installation locations for junction box and sprinkler / stand-alone fire suppression device



**Note:**

OPTION 1: Choose installation location option 1 for junction box when installing a fire alarm notification device only.

OPTION 2: Choose installation location option 2 for junction box when installing both a fire alarm notification device and a sprinkler/stand-alone fire suppression device.

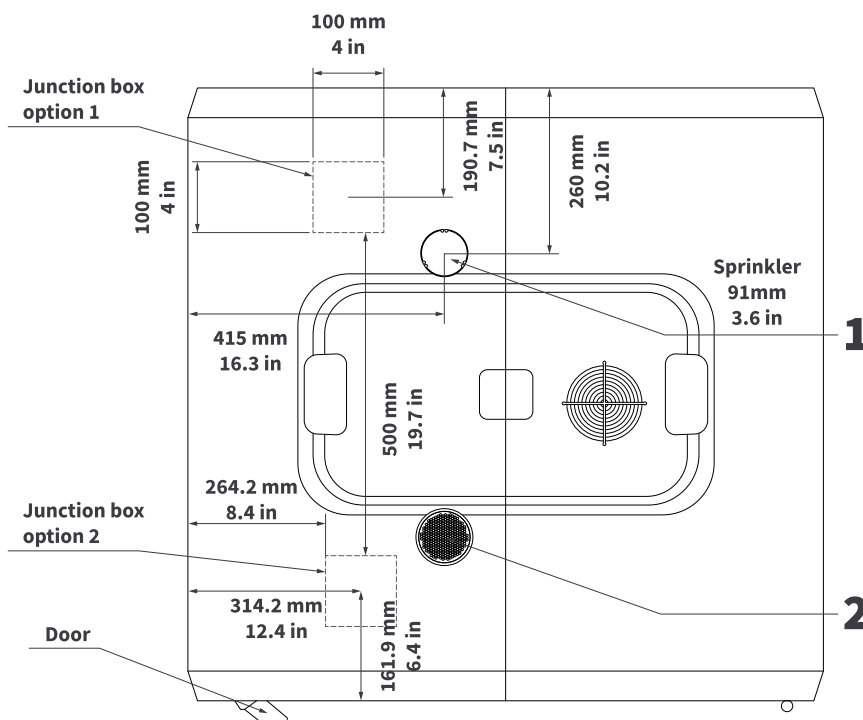
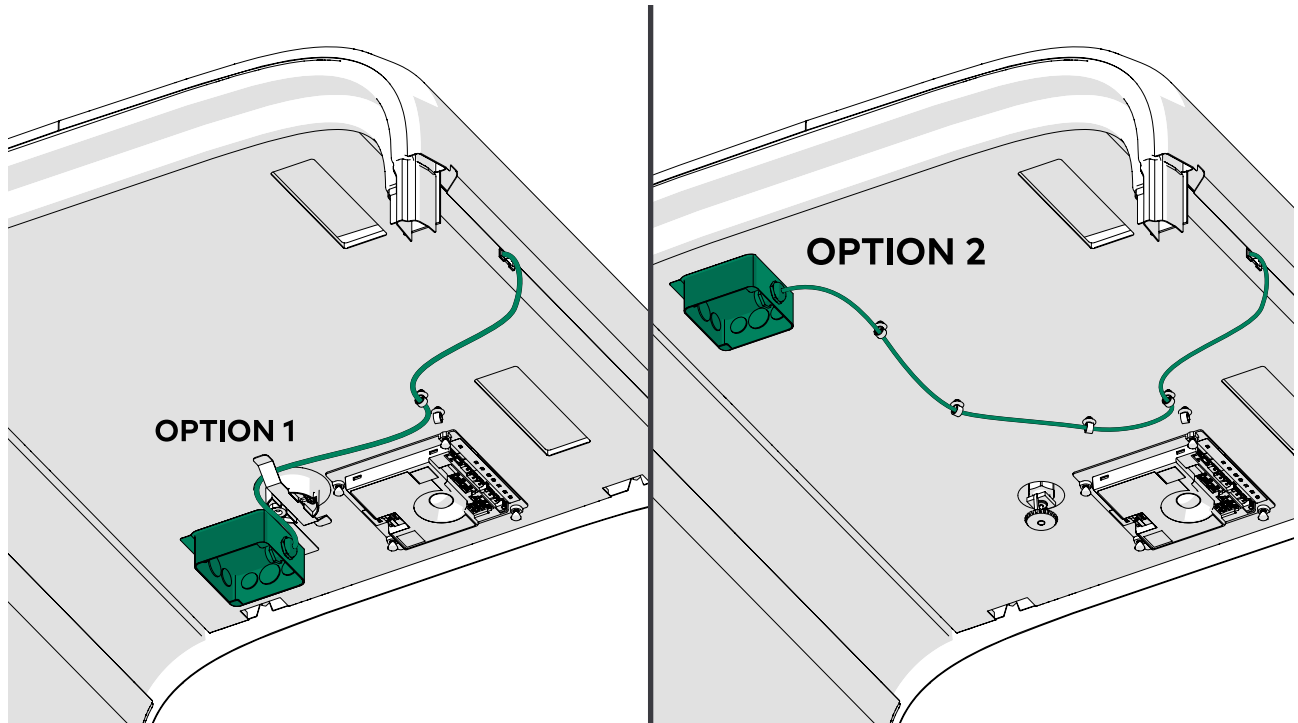


Figure 1: Framery One Compact (top view) dimensions with FOSMS speaker location: (1) FOSMS speaker location for pods shipped *before* March 1st 2026, (2) FOSMS speaker location for pods shipped *after* March 1st 2026 (FOSMS = Framery Office Sound Masking System)



**Figure 2: Installation location options for the junction box**

The primary installation location for the junction box is in the back of the pod (option 1).

The junction box installation location option 2, at the front of the pod, must be used in cases where **both sprinkler head and junction box are installed** to the pod.

If the junction box is installed in the back of the pod, follow the instructions in section 3.1 "Install junction box and alarm, OPTION 1".

If the junction box is installed to the front of the pod, follow the instructions in section 3.2 "Install junction box and alarm, OPTION 2".

The dimensions of the junction box are 100 mm x 100 mm x 14.3 mm (4 in x 4 in x 1-9/16 in).

- ⚠ **Note:** The junction box is not part of a standard delivery, nor pre-installed. Purchase the shallow junction box locally (must be less than 14.3 mm (1-9/16 in) in depth).
- ⚠ **Note:** The cable shown in the image is not part of the delivery. Confirm the use of conduits for fire safety wiring with local authorities.

## 2.2 Installation dimensions

- ⚠ **Note:** If the pod is connected to the sprinkler system of the building, the required space on the powerwall side (where table is installed) of the pod is at least 50 cm / 20 in (this extra space requirement is for rigid sprinkler systems only). This is to ensure that all components of the pod can be accessed for maintenance or replacement purposes.
- ⚠ **Note:** About *seismic anchoring*: If you will later install seismic anchoring for the pod, make sure to use the required space dimensions given in image for Option 2 below (**Figure 4**).

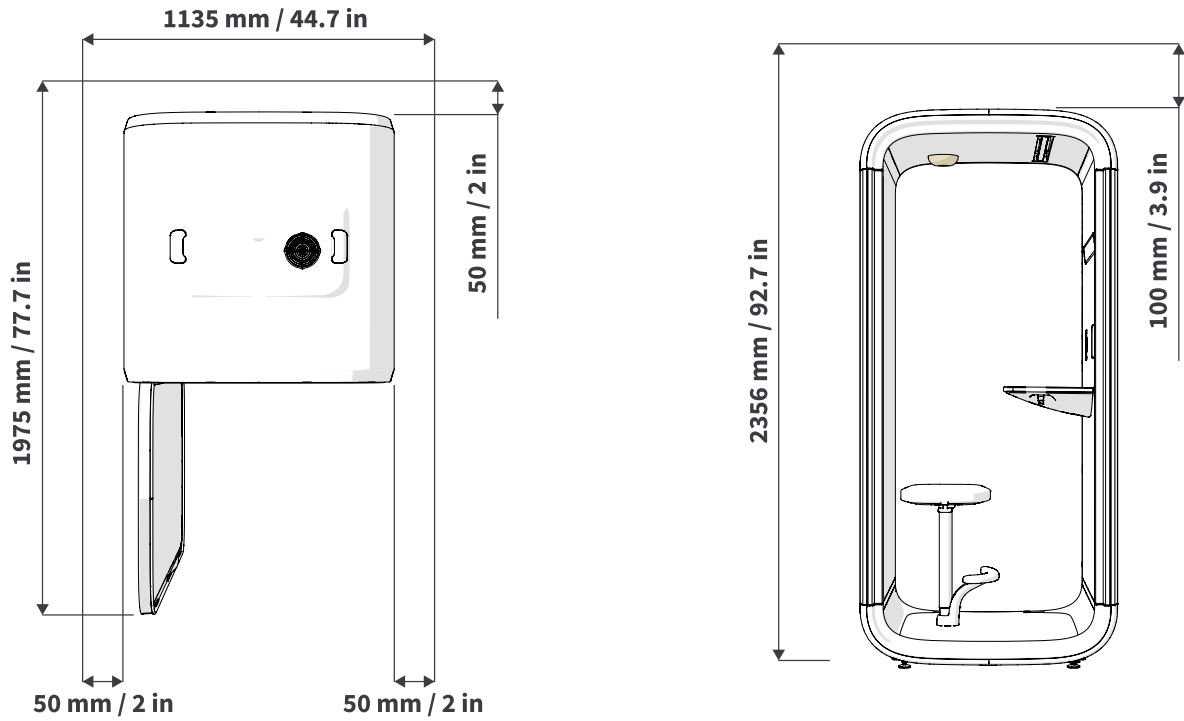


Figure 3: The dimensions of the pod along with the required room height, side and door clearance, Option 1

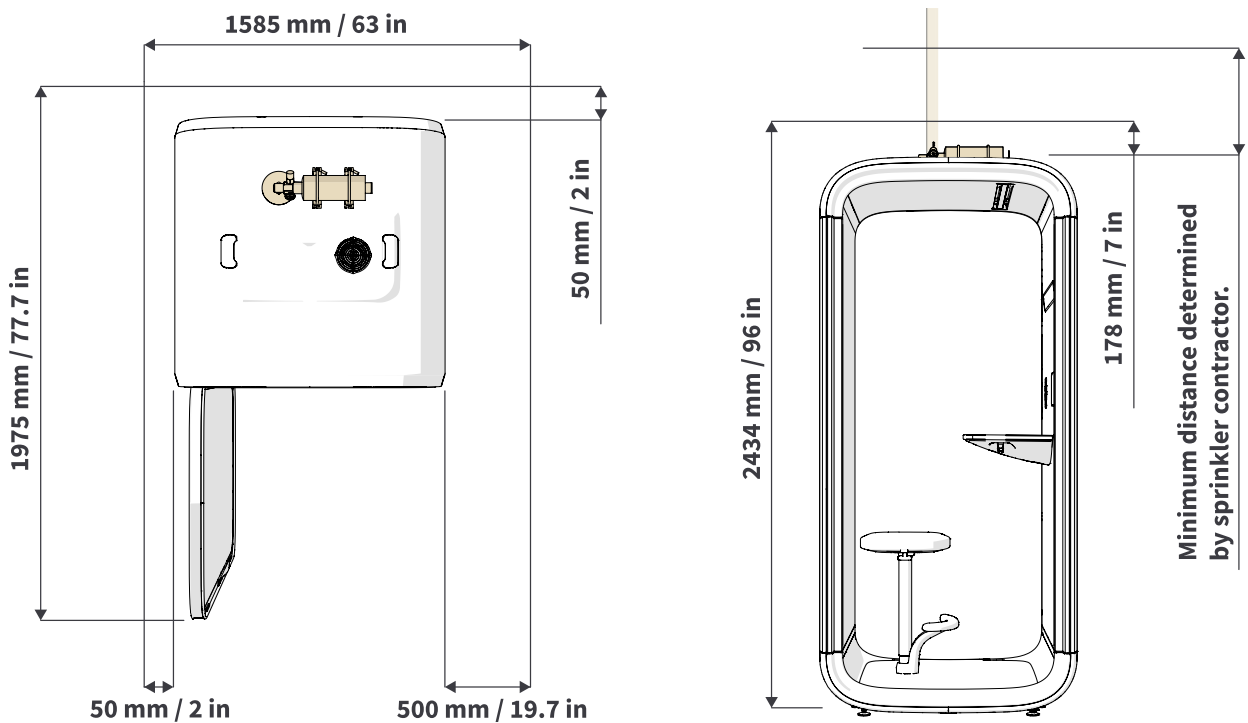


Figure 4: The dimensions of the pod along with the required room height, side and door clearance, Option 2

⚠ **Note:** The height dimension in Figure 4 is for cease fire installation. Sprinkler system installation height can be determined by the sprinkler contractor.

### 2.3 Tools and accessories

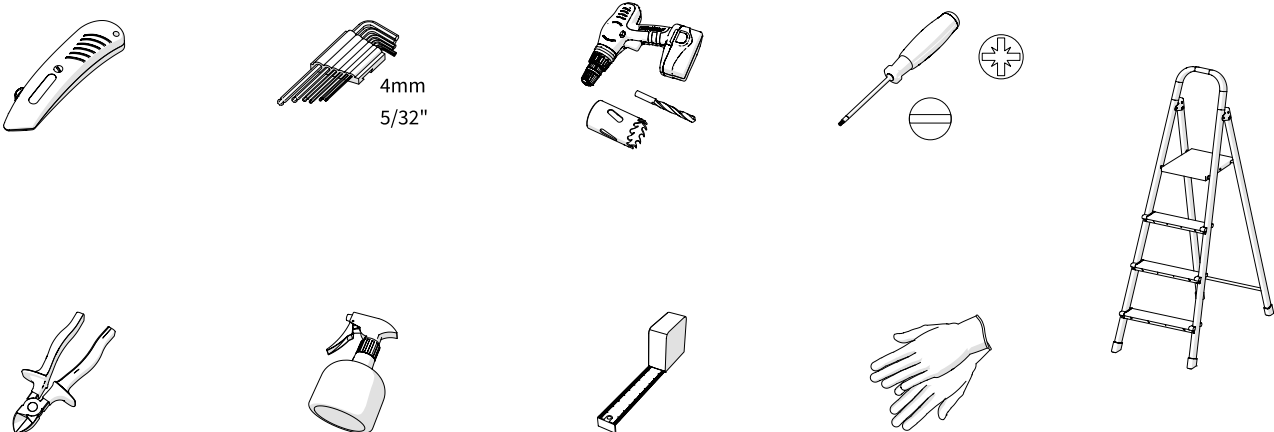
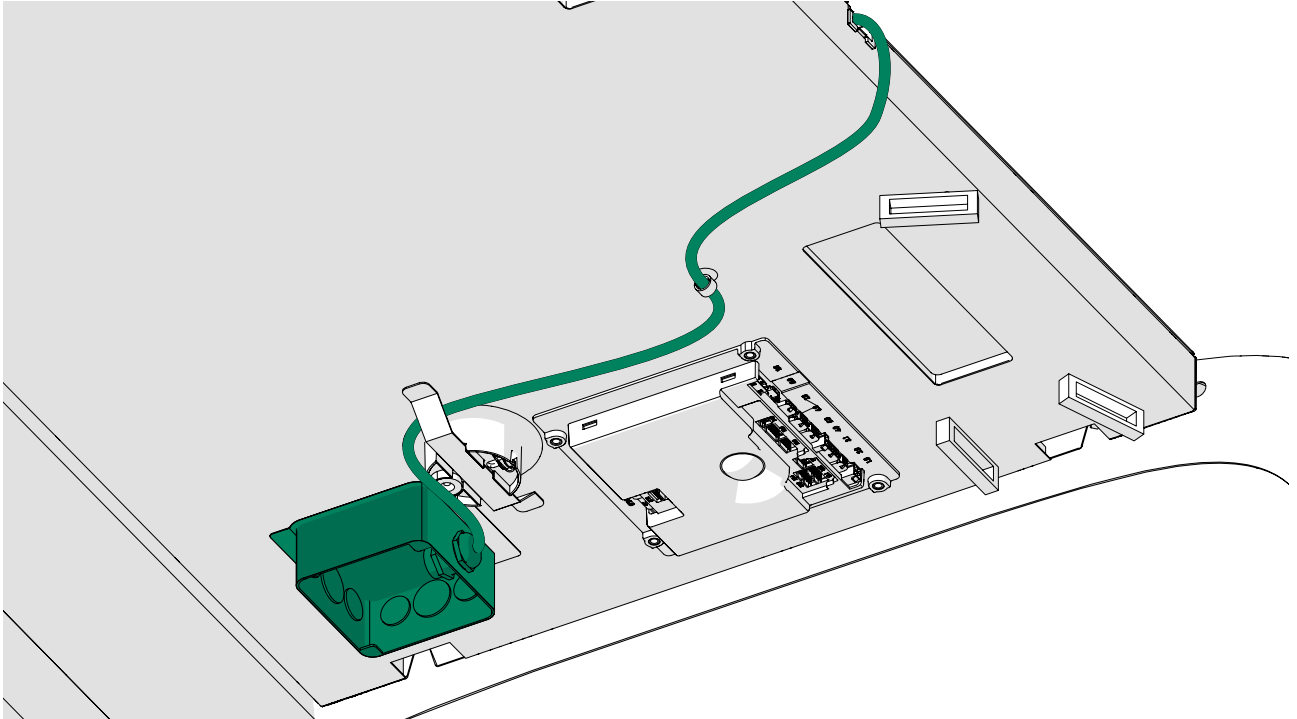


Figure 5: Tools and accessories

## 3 Installing a fire alarm notification device (strobe, strobe-horn, speaker, speaker-strobe)

### 3.1 Install junction box and alarm, OPTION 1

This section provides instructions for the installation of the junction box at the back of the pod (location option 1).



**DANGER:** Always disconnect the pod from the power outlet before you begin disassembly, maintenance, moving, or any other procedure.

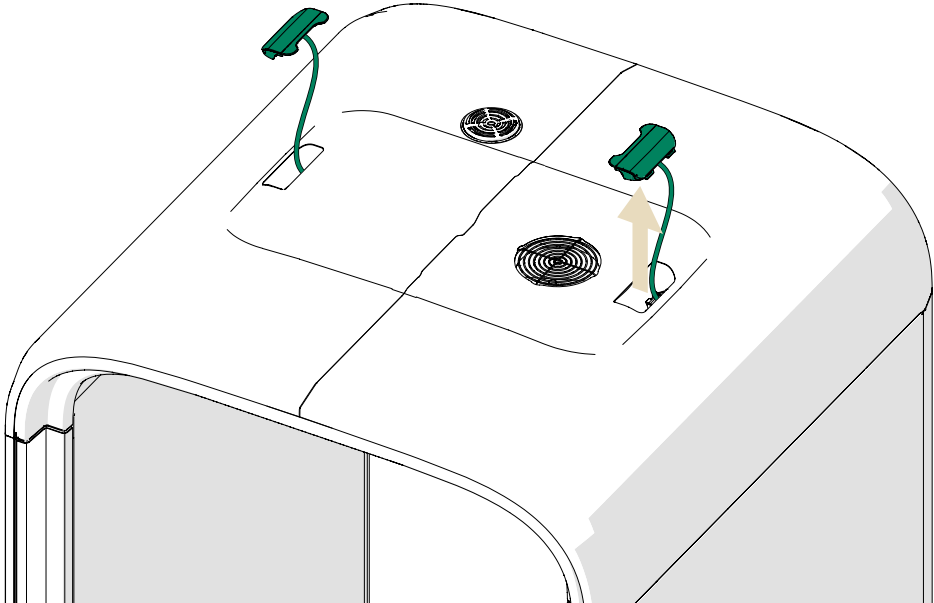


**Note:** If there is no need to disassemble the interior panels, you can start from step 6.

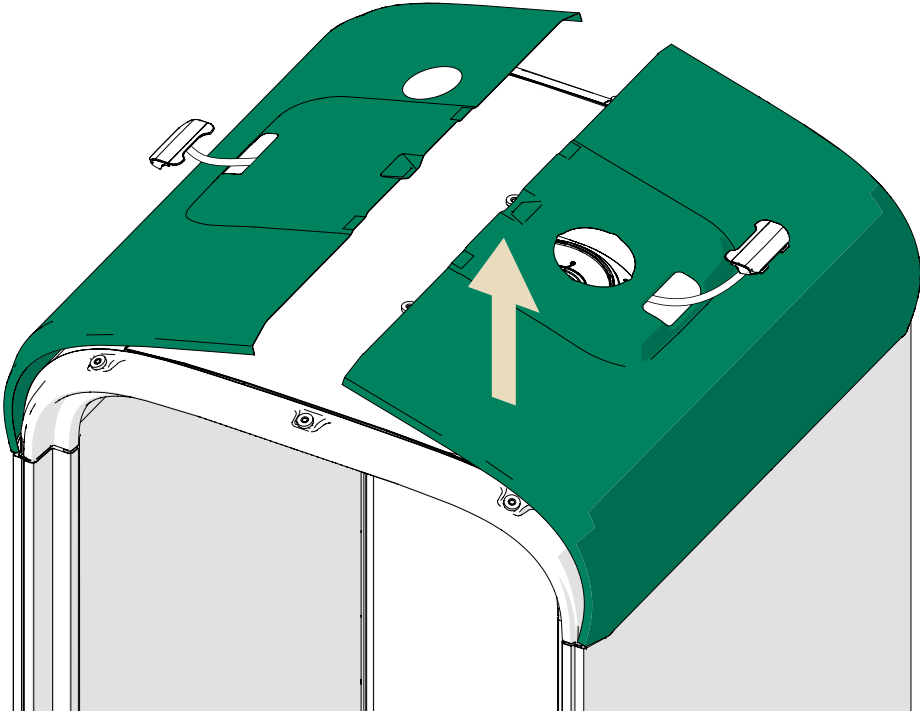


**Note:** The cable routing shown in the image is optional. A conduit can be routed straight up from the junction box and through the pod ceiling.

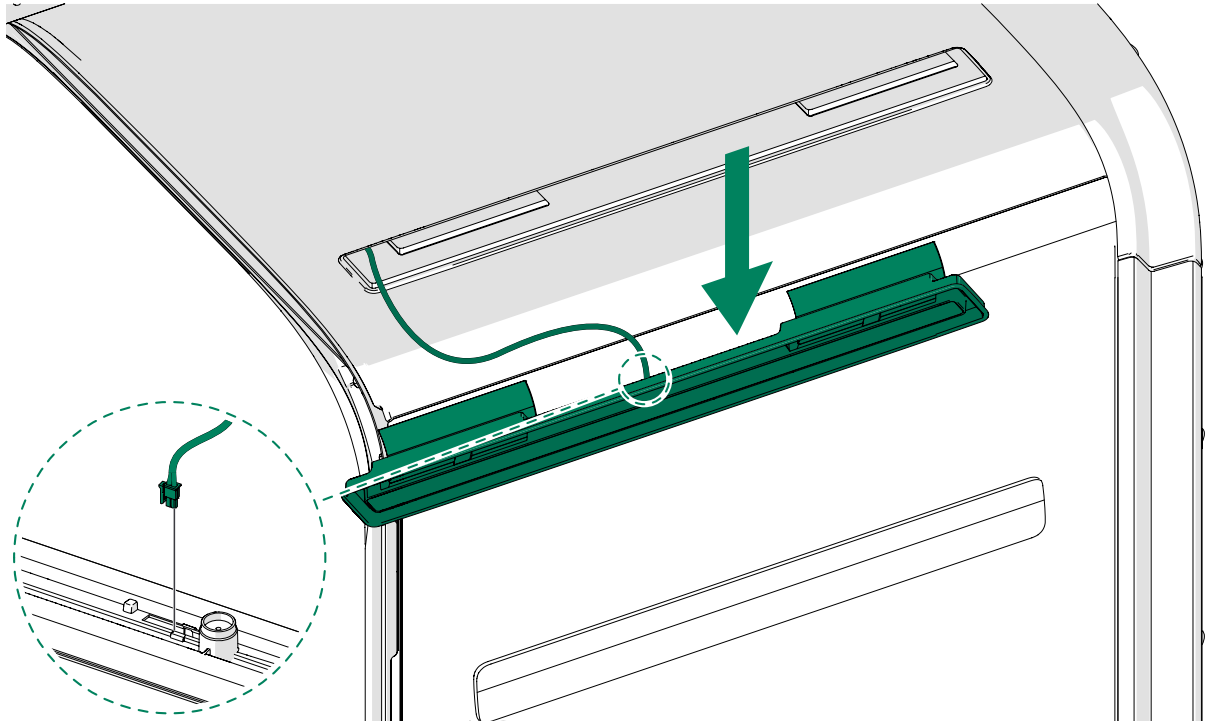
1.



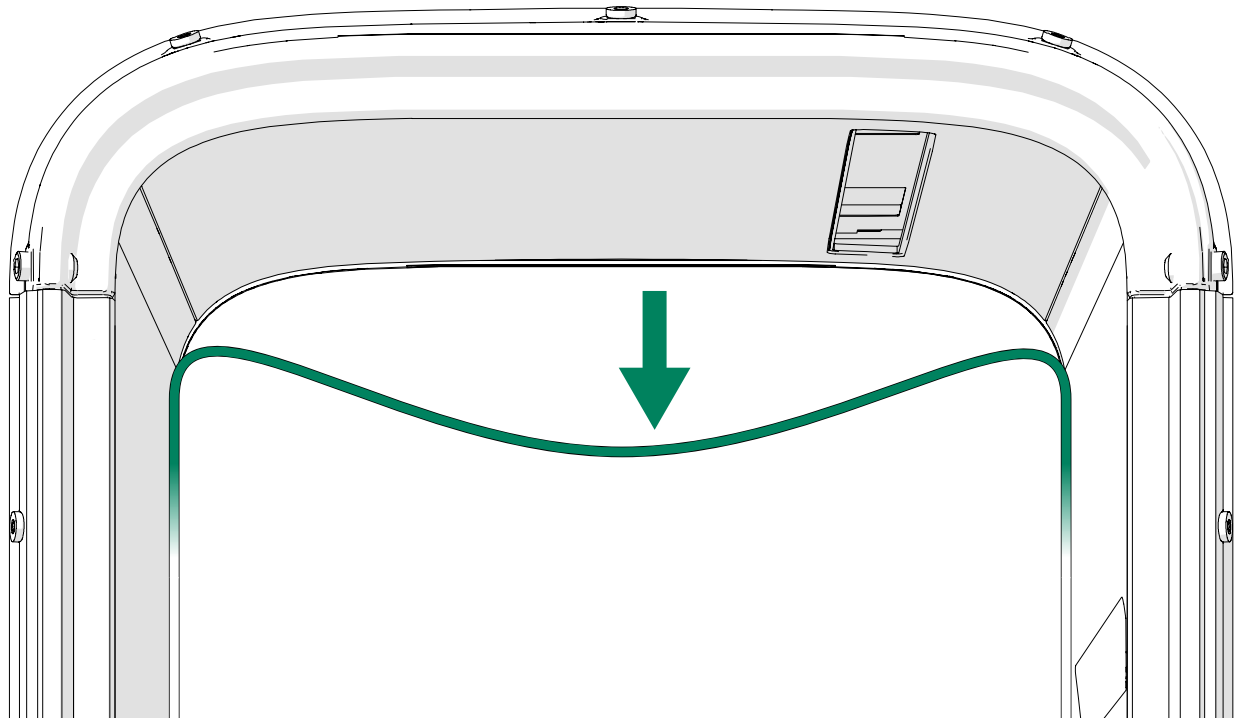
2.




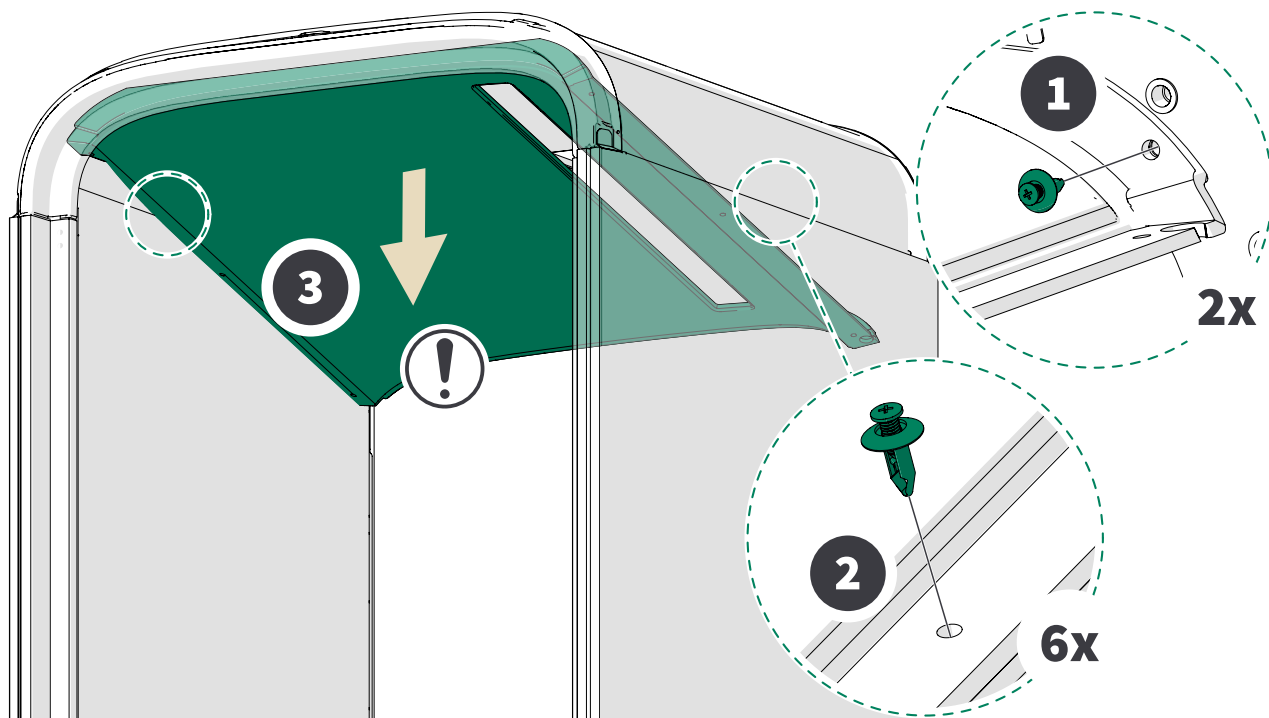
3.



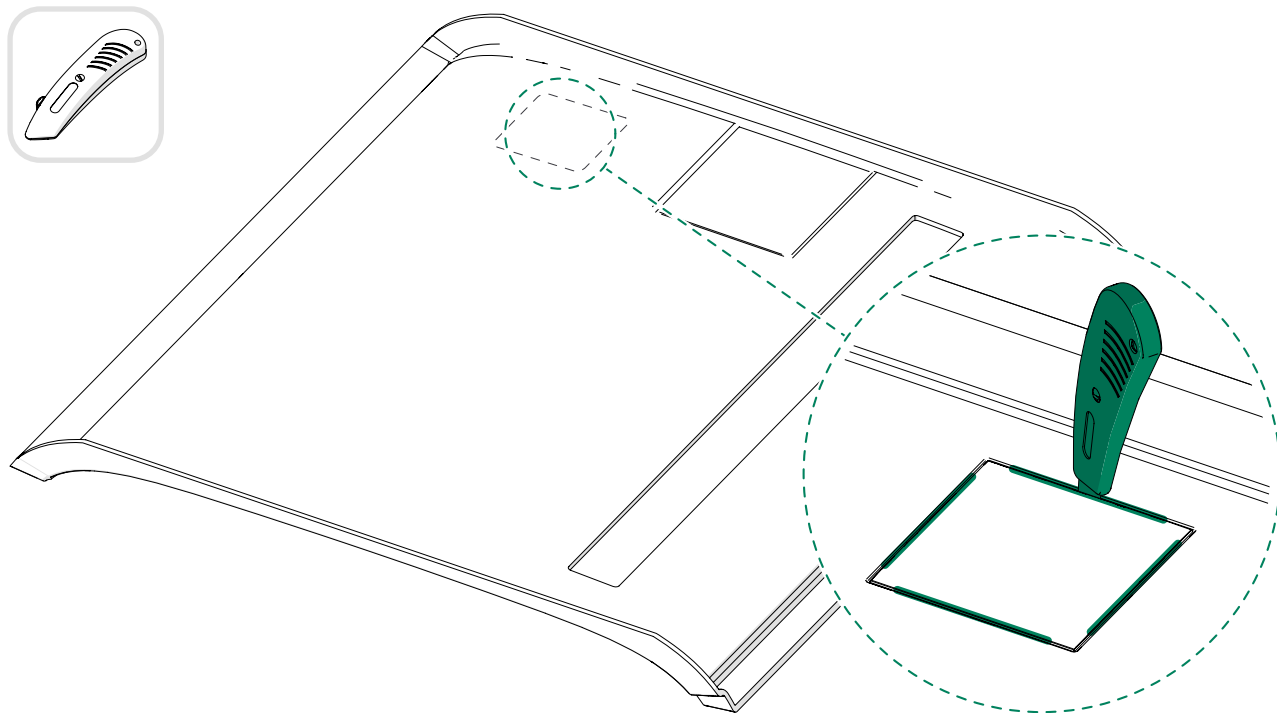
4.



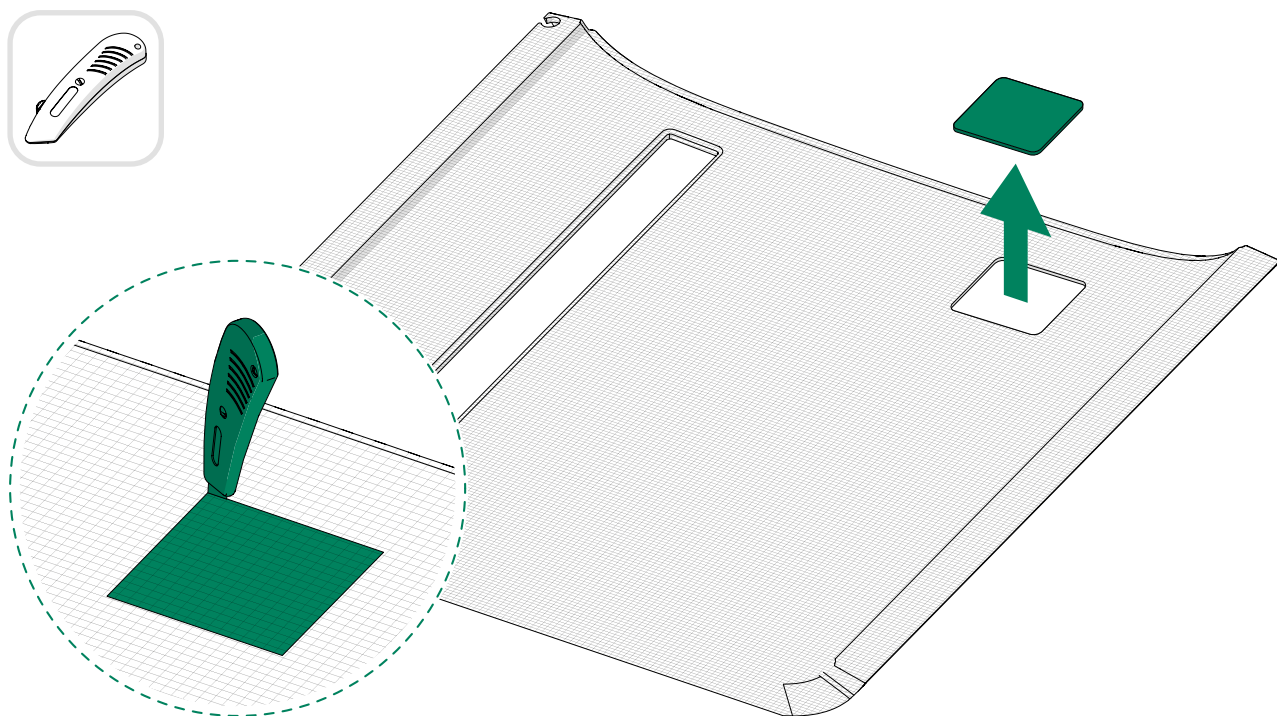
5.  **Note:** Removing the ceiling panel requires force. The panel can withstand bending.



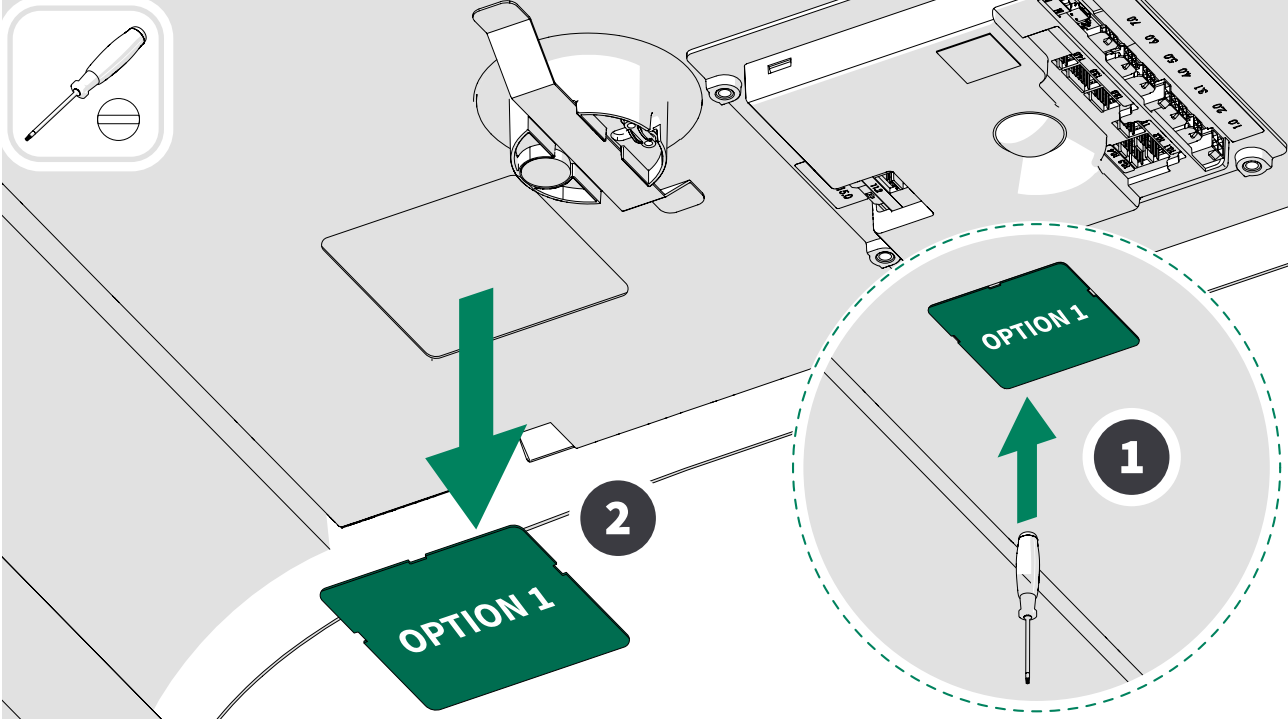
6. Cut the ceiling interior panel along the rectangular marking on the inner (white) side of the panel.



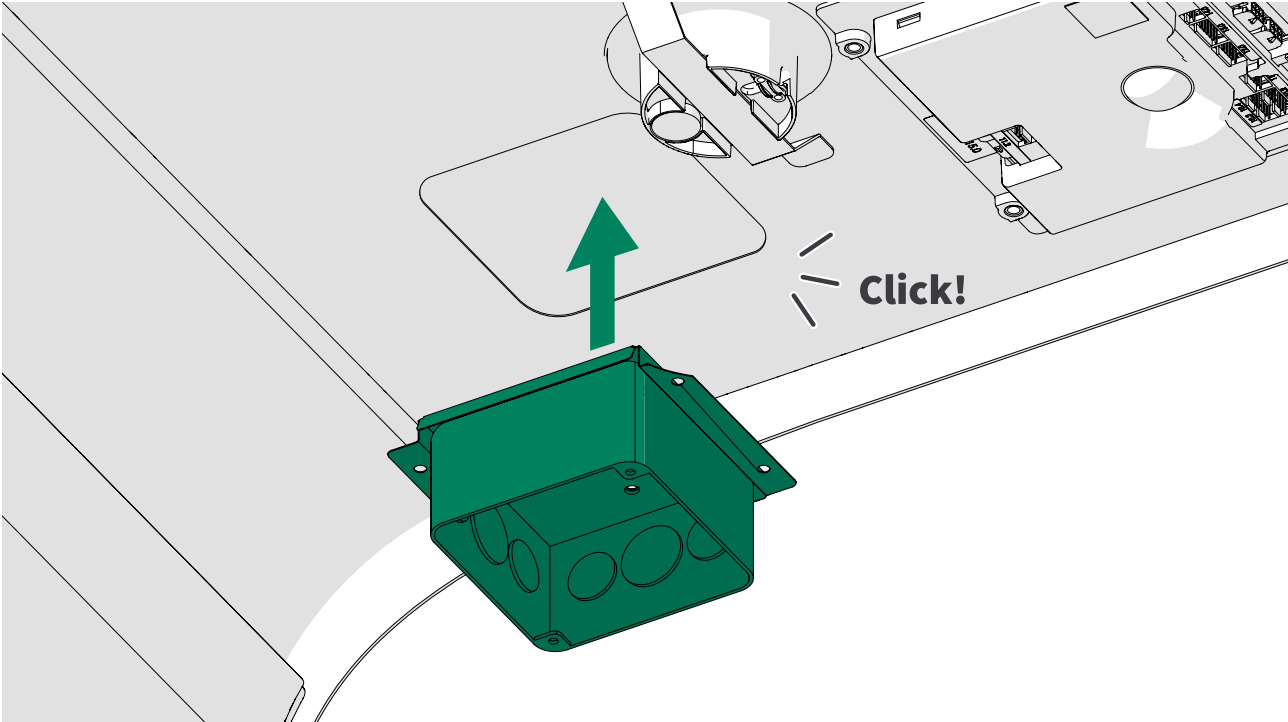
Make the final cuts from the outer (visible) side of the panel.



7.



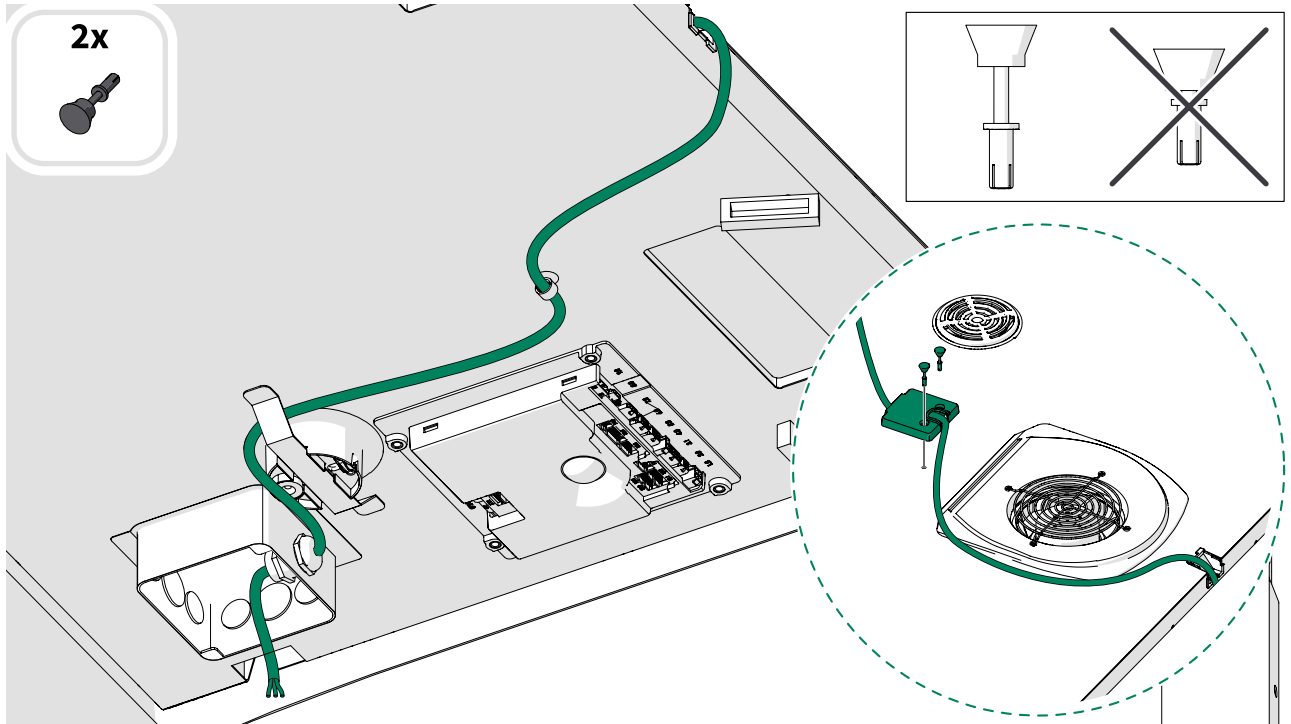
8.



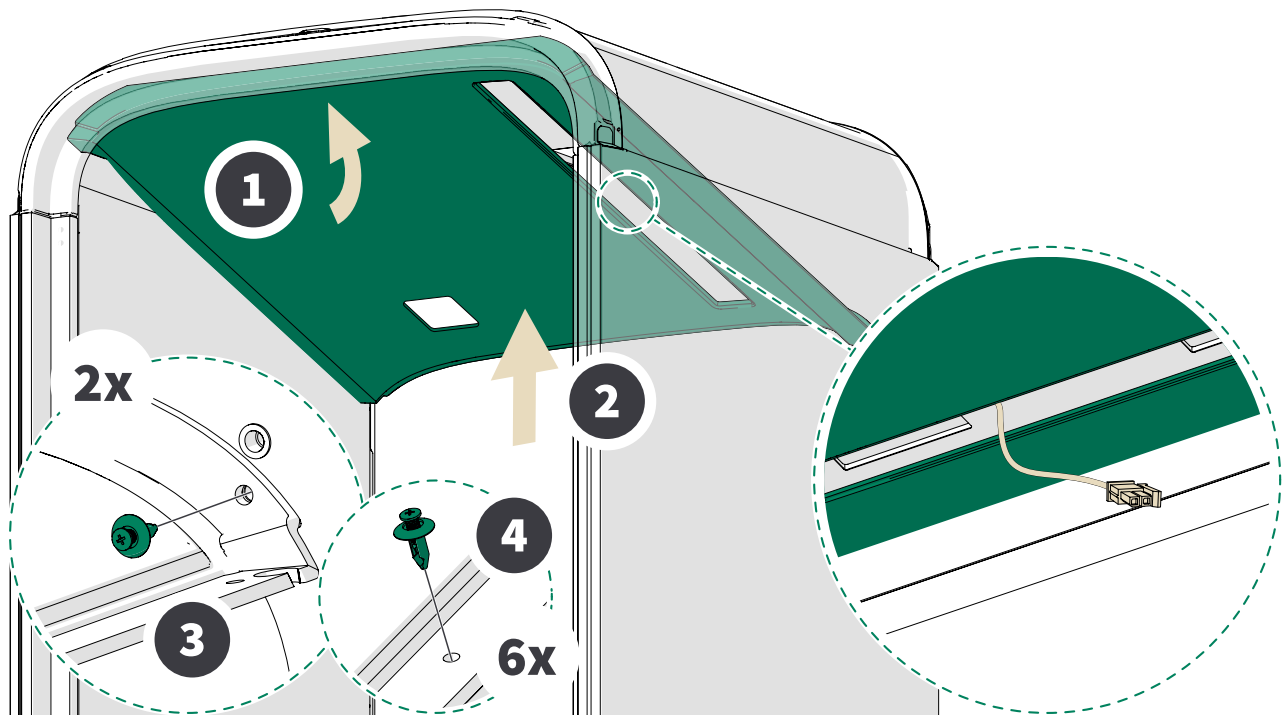
9.



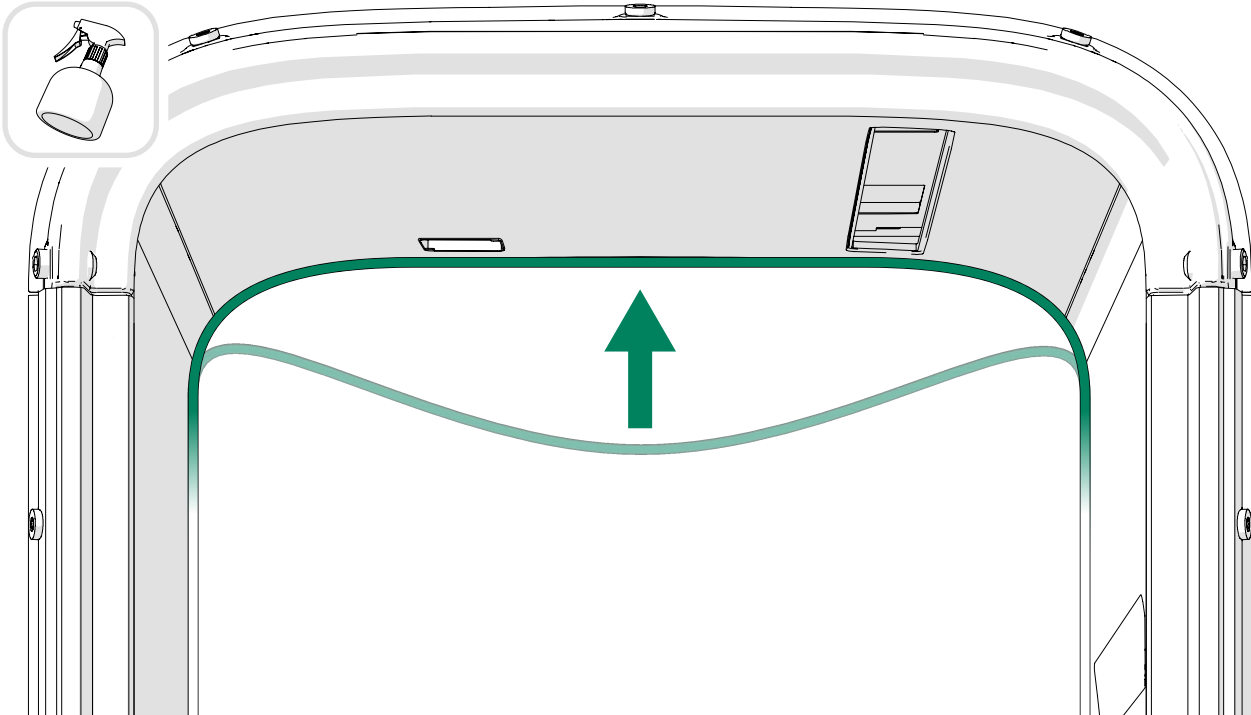
**Note:** The cable routing shown in the image is optional. A conduit can be routed straight up from the junction box and through the pod ceiling.



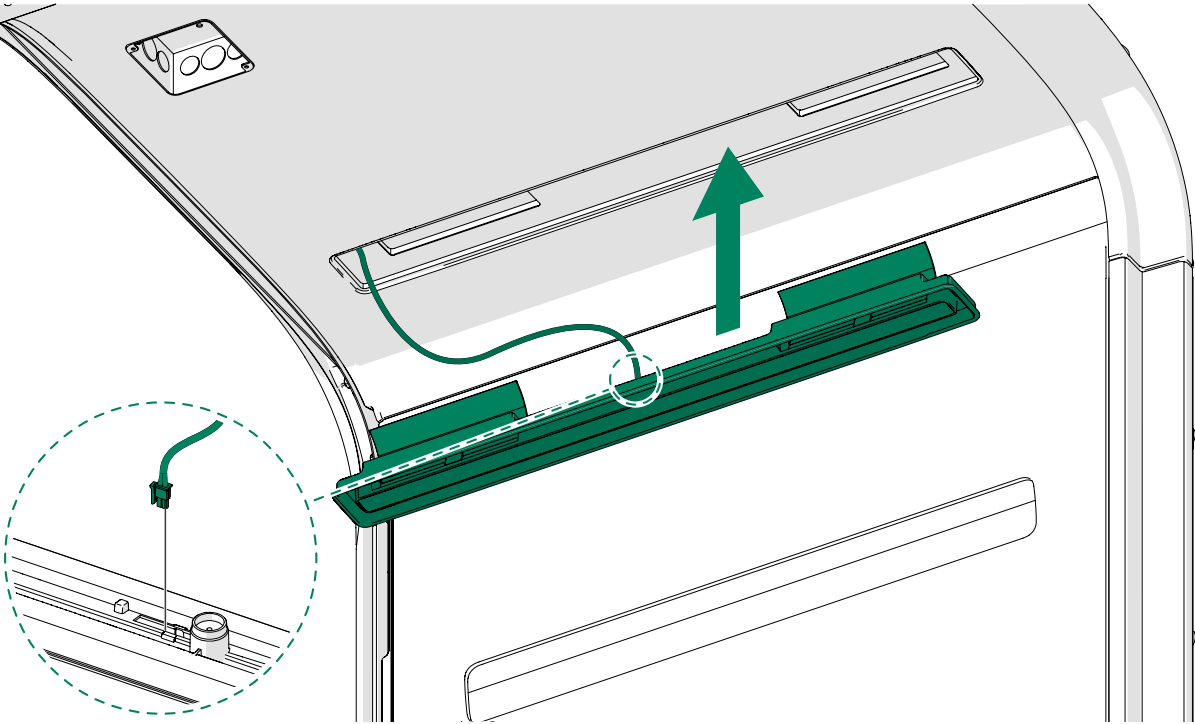
10.



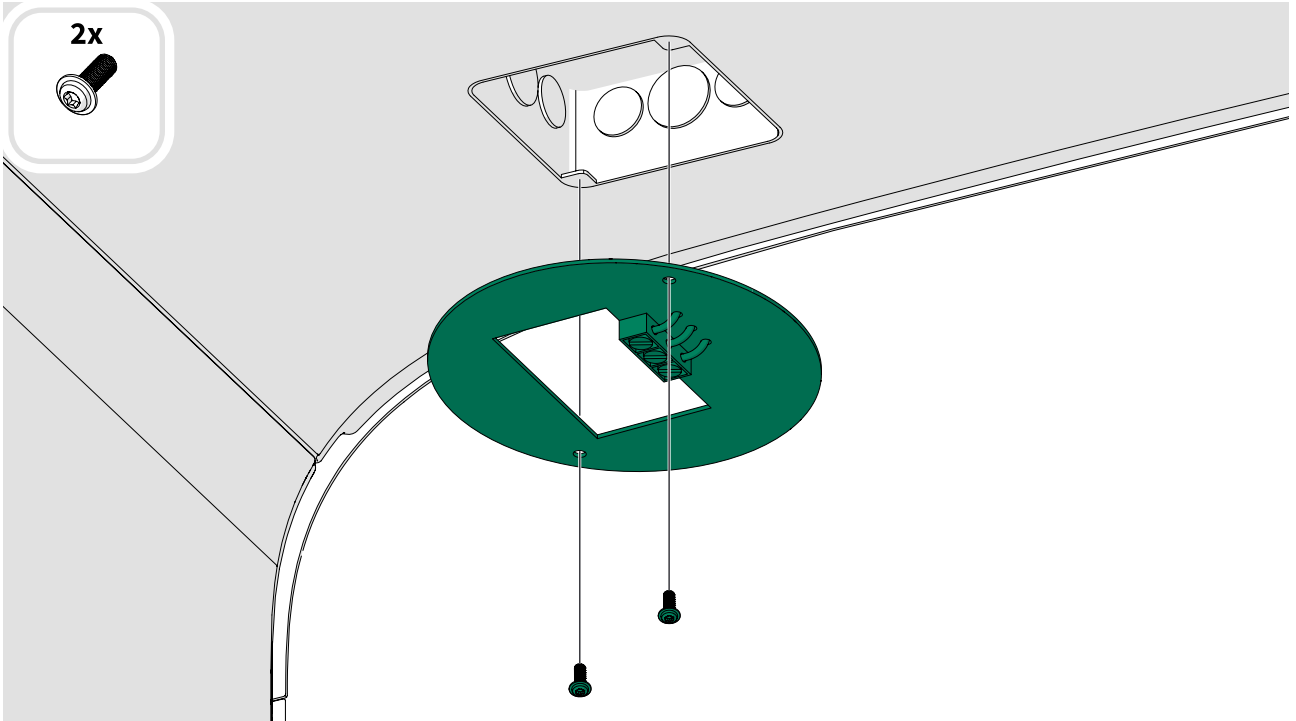
11.



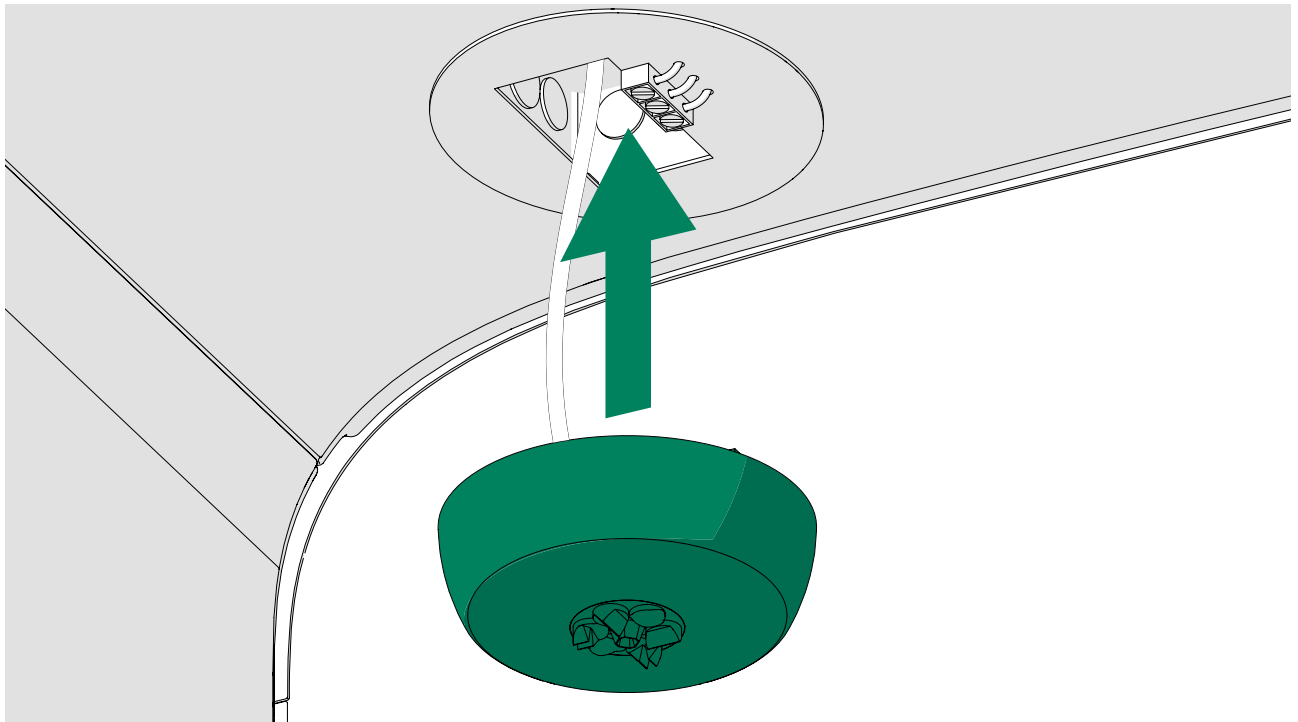
12.




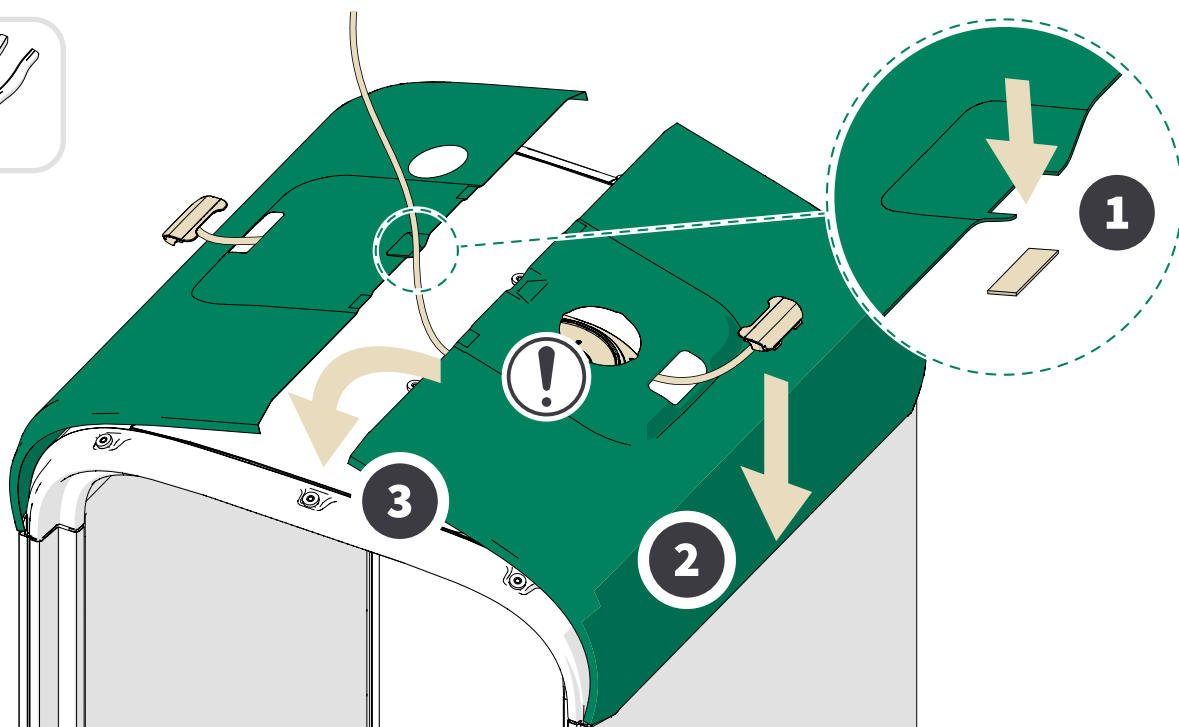
13.



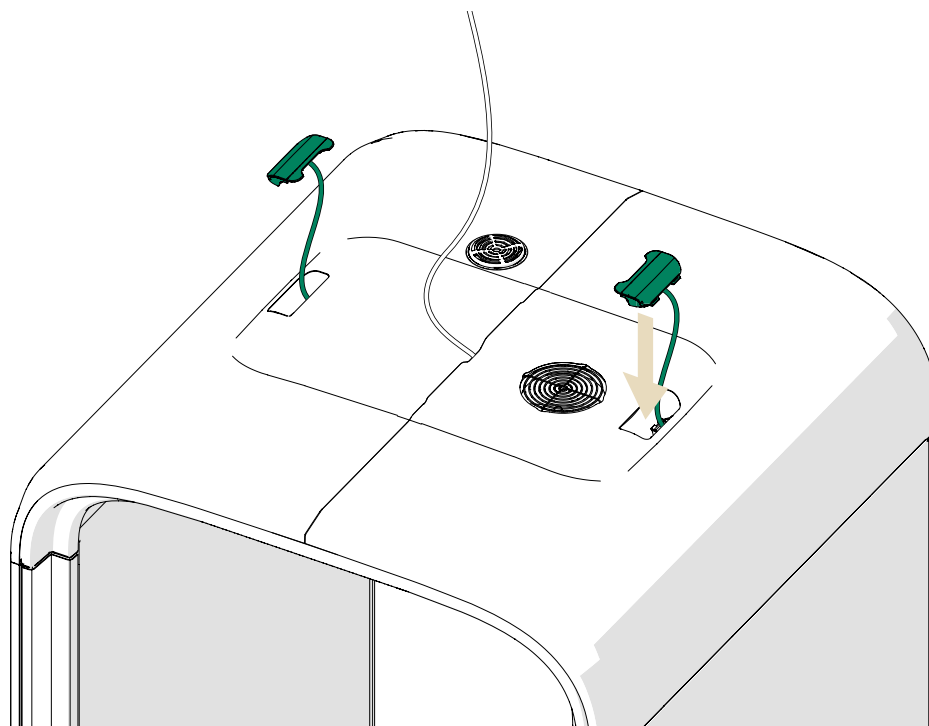
14.



15.  **Note:** Punch through the precut in the middle of the roof for the fire alarm's power cord.

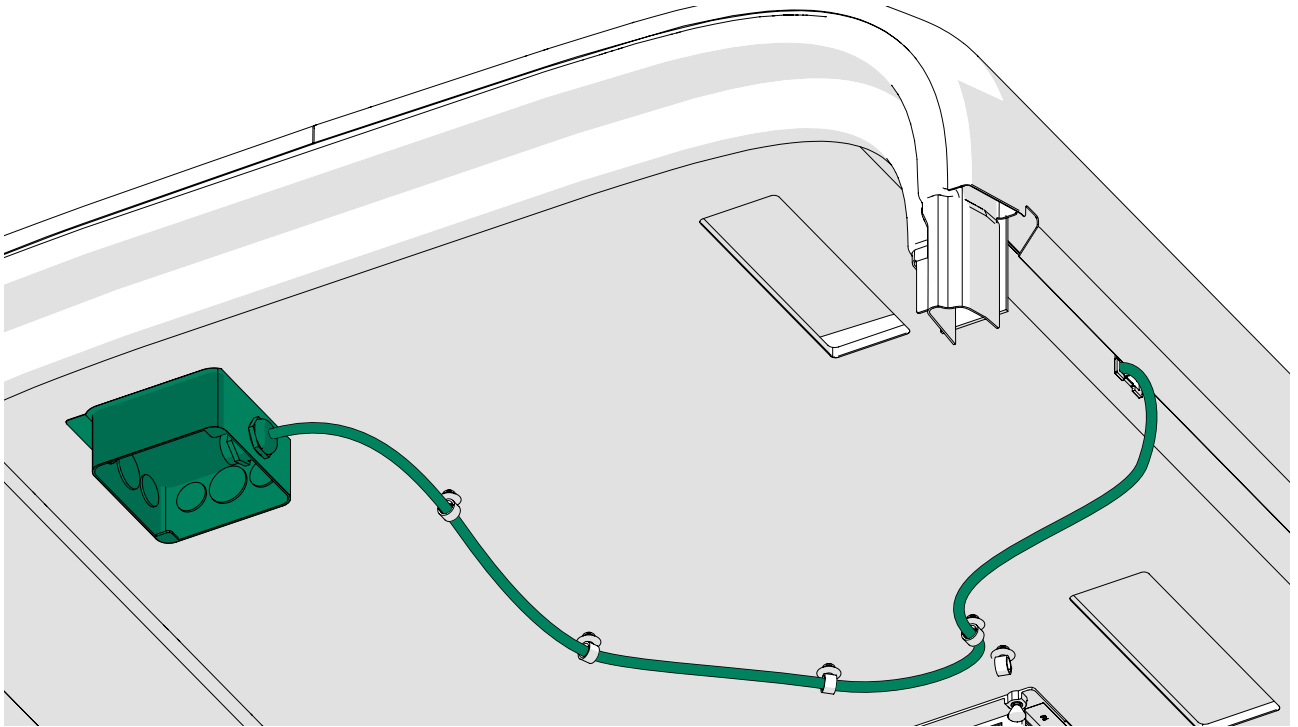


- 16.



### 3.2 Install junction box and alarm, OPTION 2

This section provides instructions for the installation of the junction box at the front of the pod (location option 2).



**DANGER:** Always disconnect the pod from the power outlet before you begin disassembly, maintenance, moving, or any other procedure.

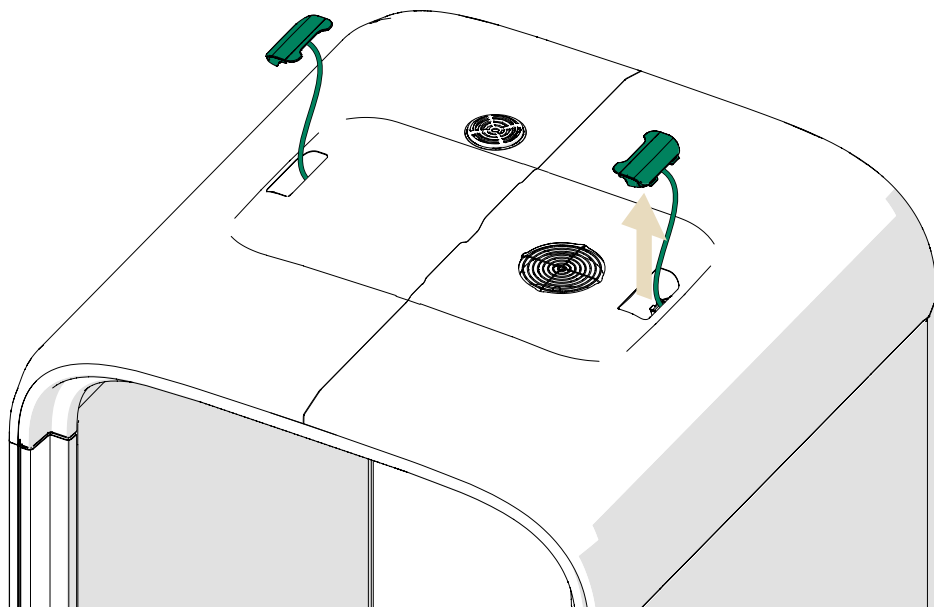


**Note:** If there is no need to disassemble the interior panels, you can start from step 6.

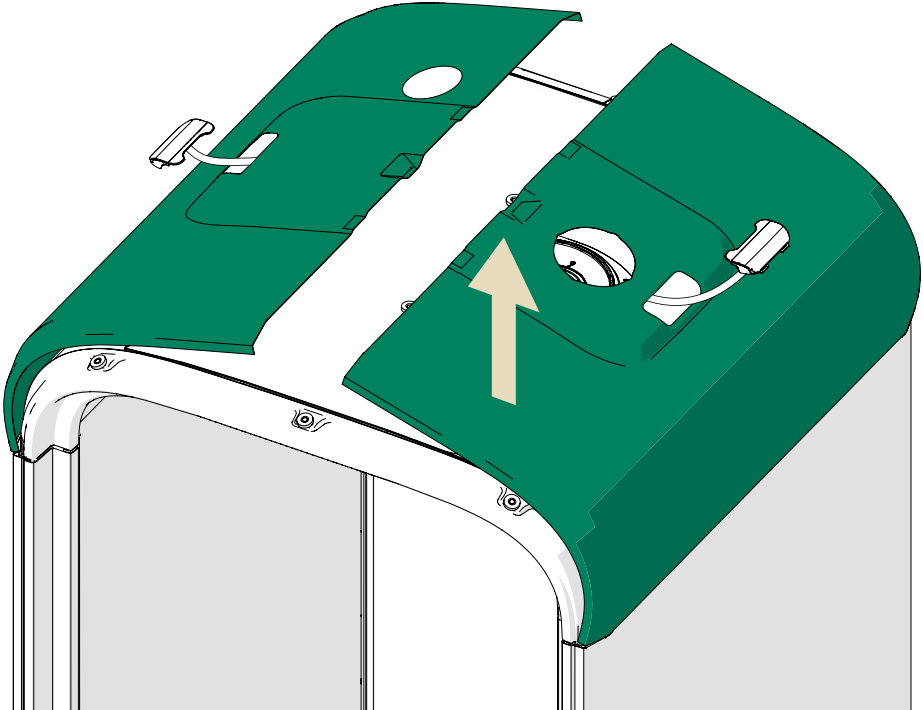


**Note:** The cable routing shown in the image is optional. A conduit can be routed straight up from the junction box and through the pod ceiling.

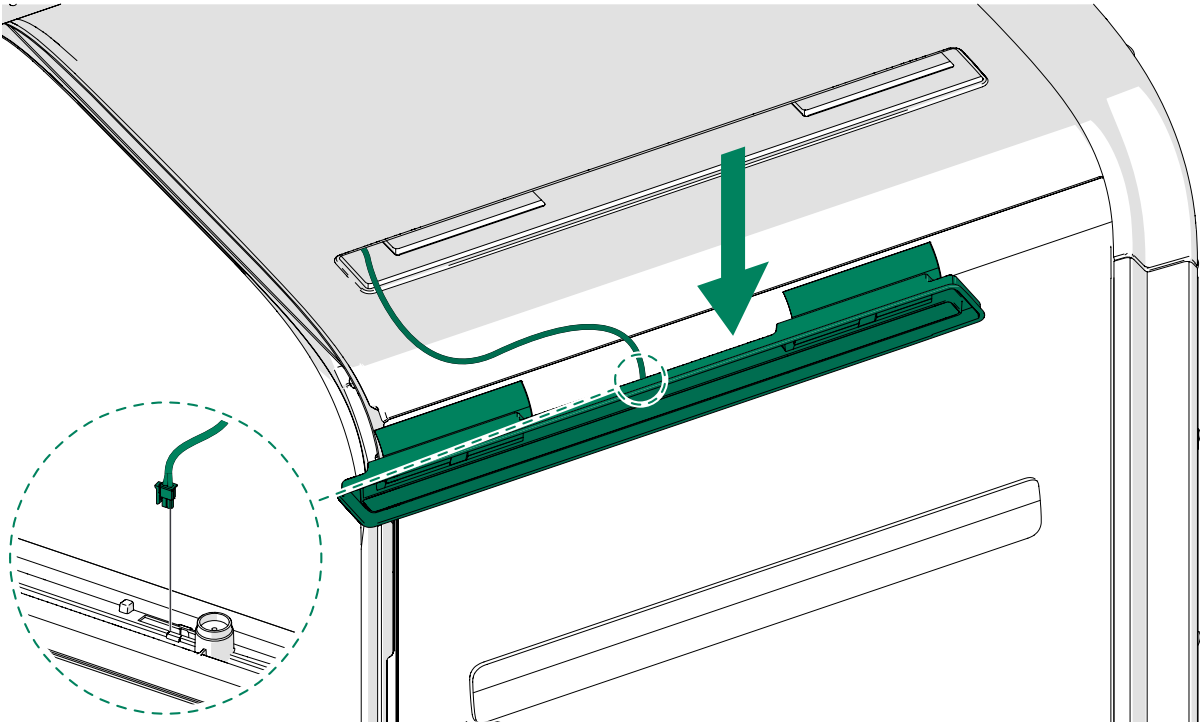
1.



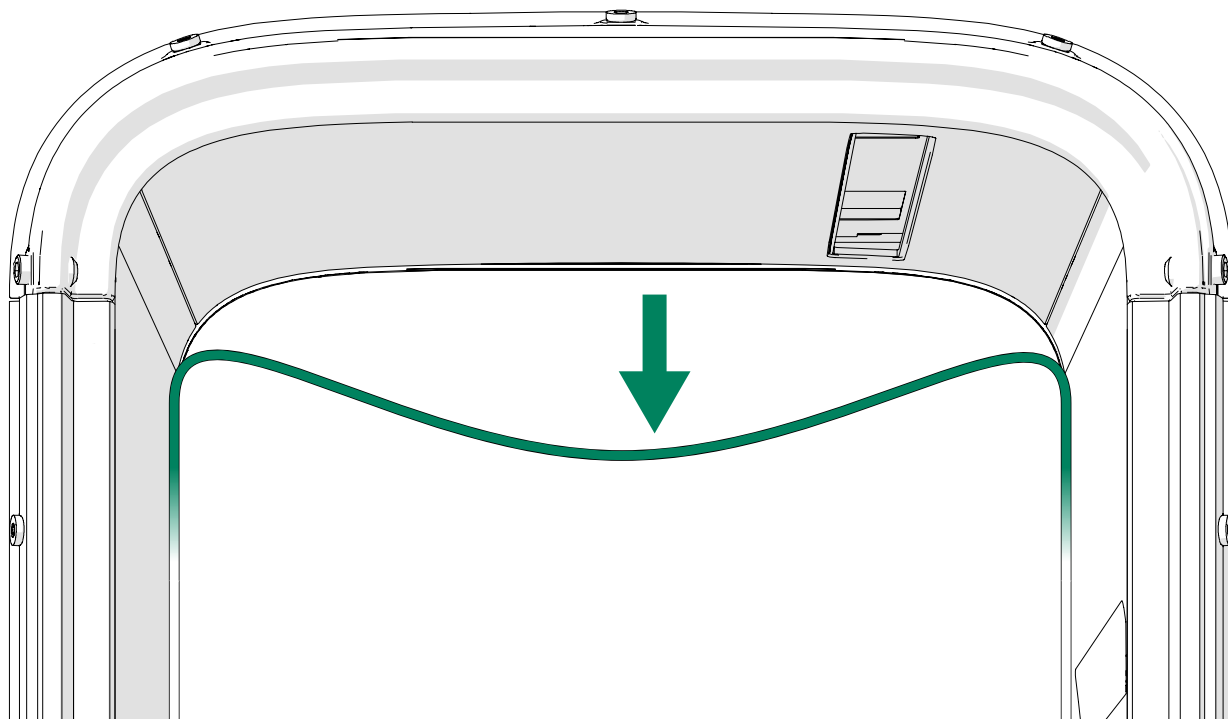
2.



3.



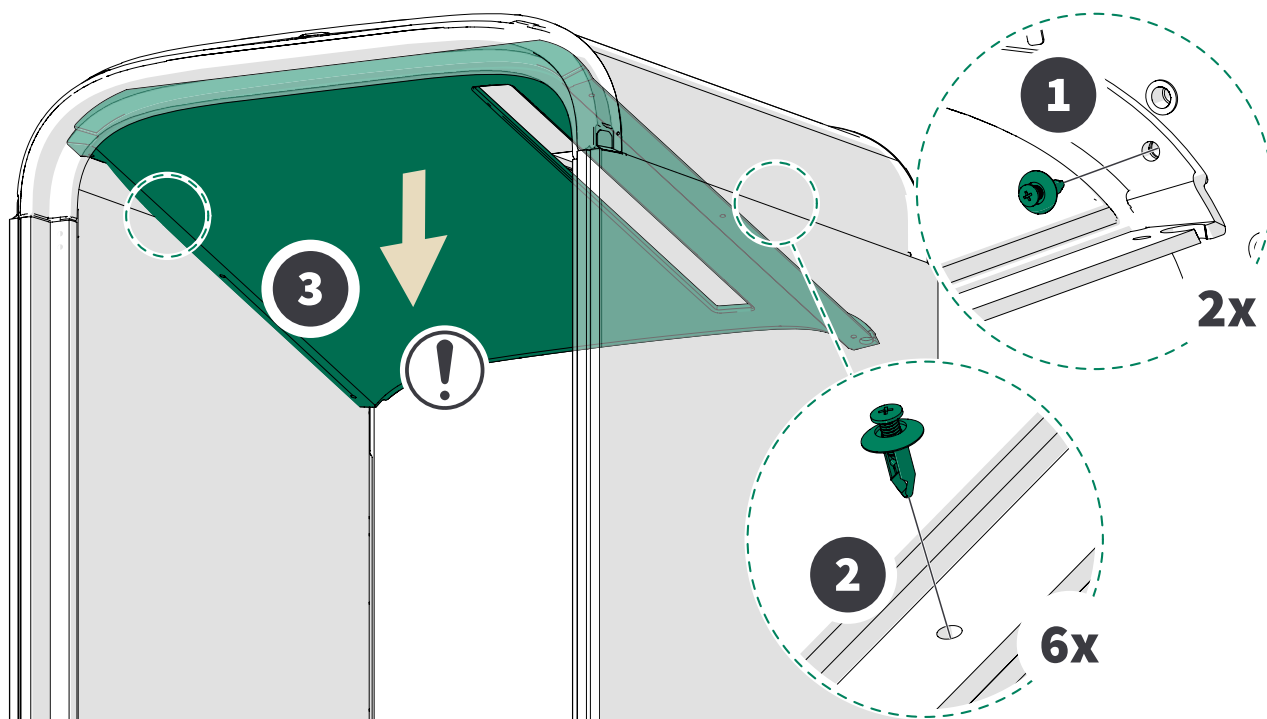
4.



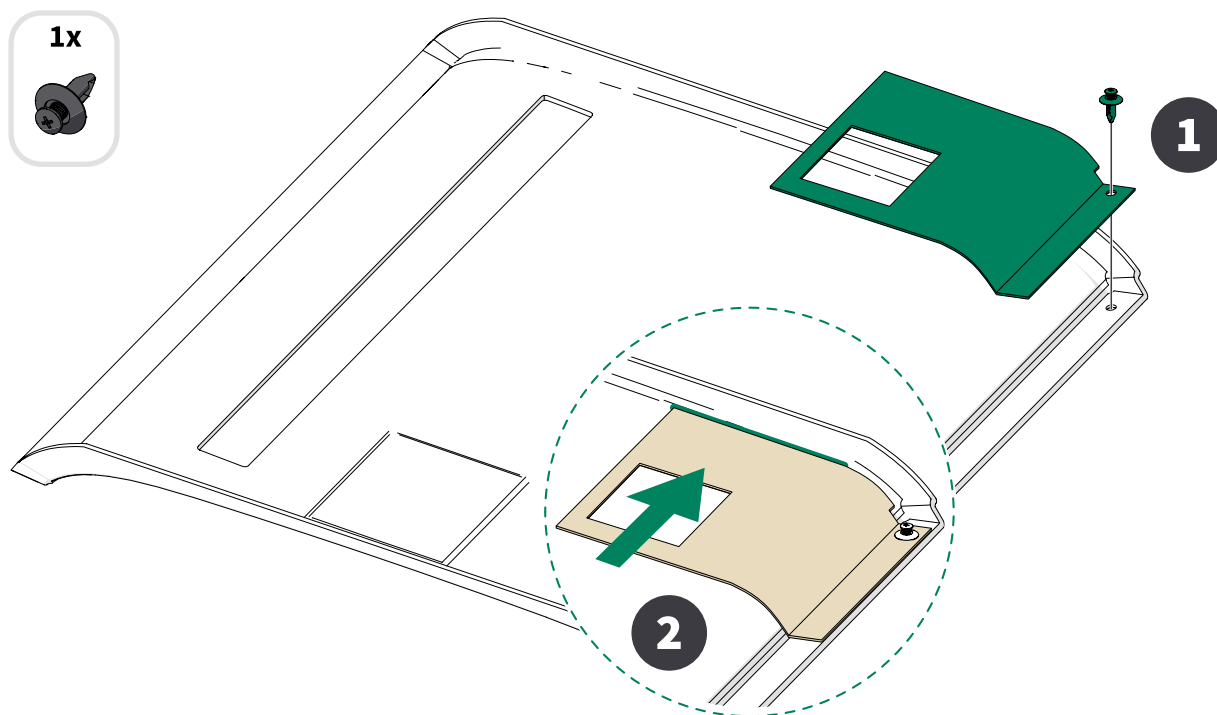
5.



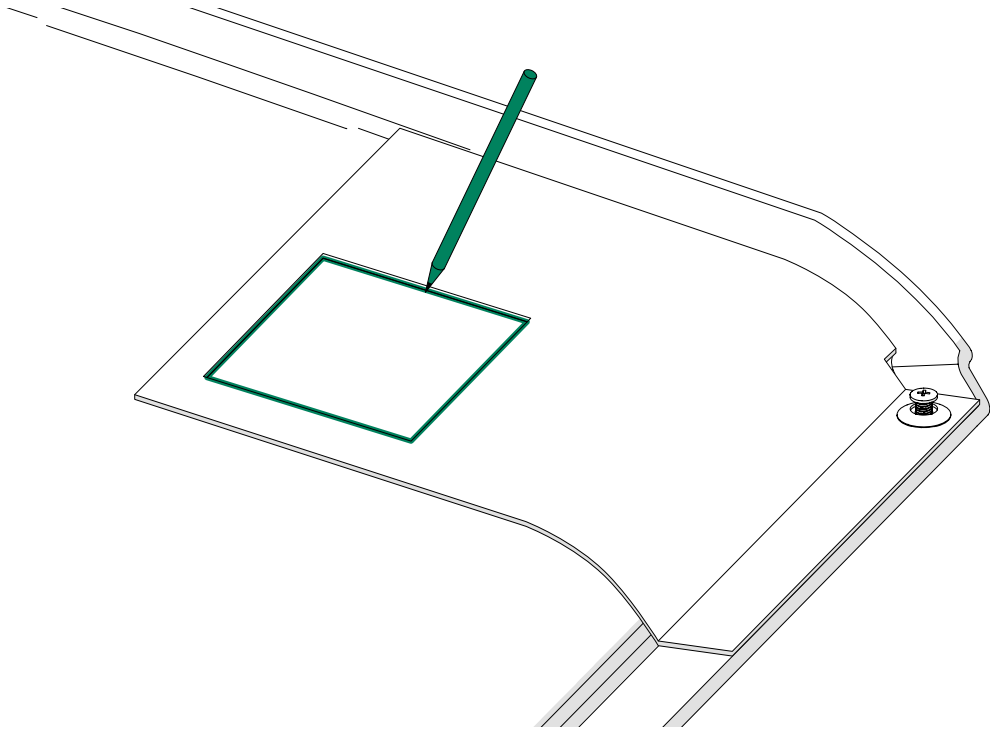
**Note:** Removing the ceiling panel requires force. The panel can withstand bending.



6. Place the template on the inner side of the ceiling interior panel and fasten it with a rivet.



- Using the hole in the template as reference, draw the cut lines for the junction box.



**Note:** If you have no template, locate the area for junction box 2 in the following manner: from the existing junction box, measure 500 mm up; from the light cutout on the left, measure 349 mm right (see the image below).

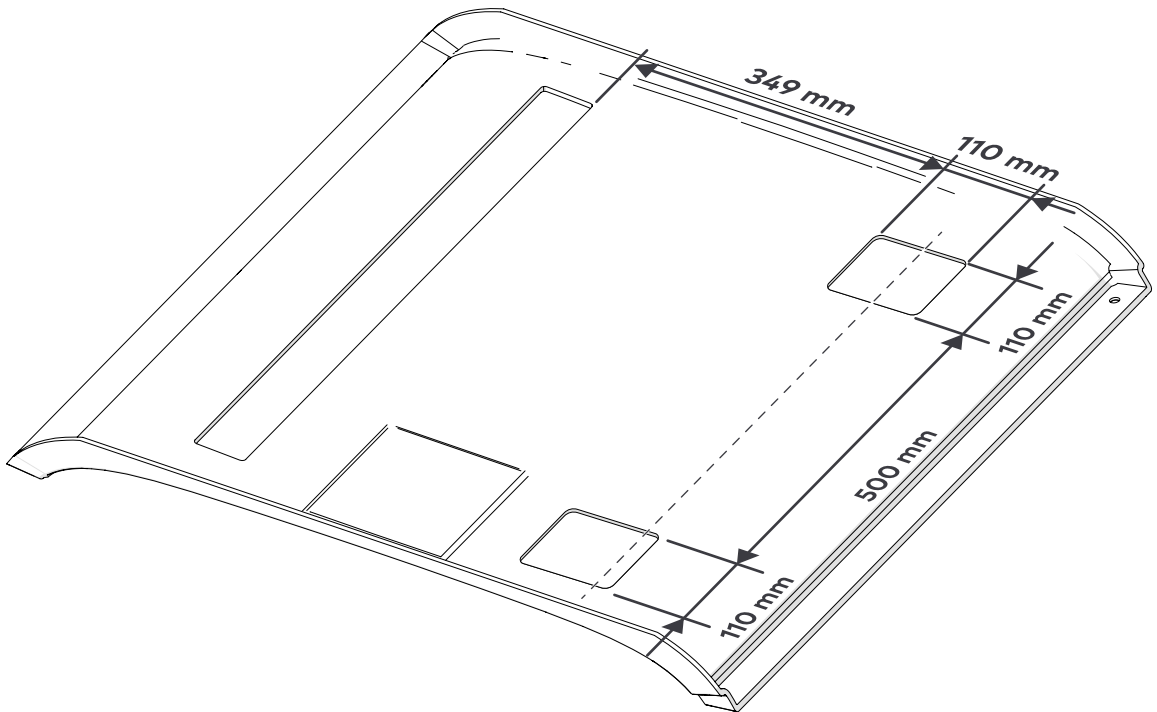
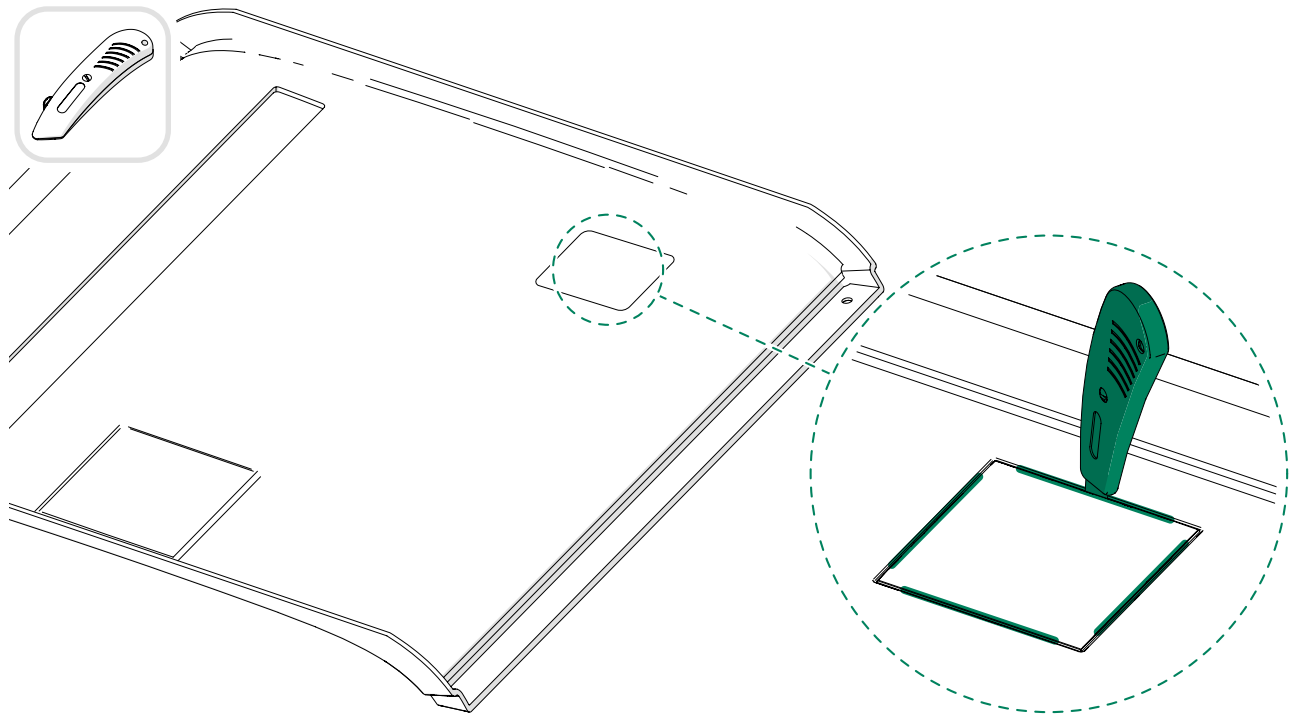
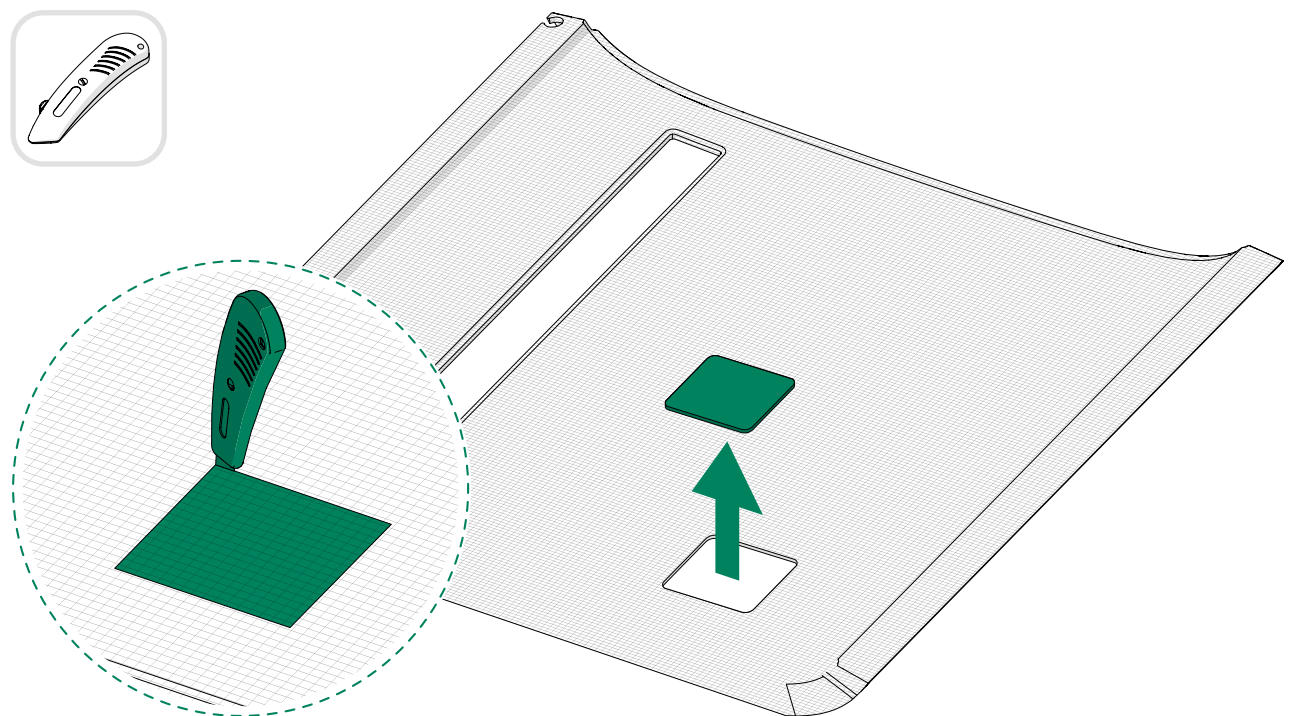


Figure 6: Finding junction box 2 installation location without a template

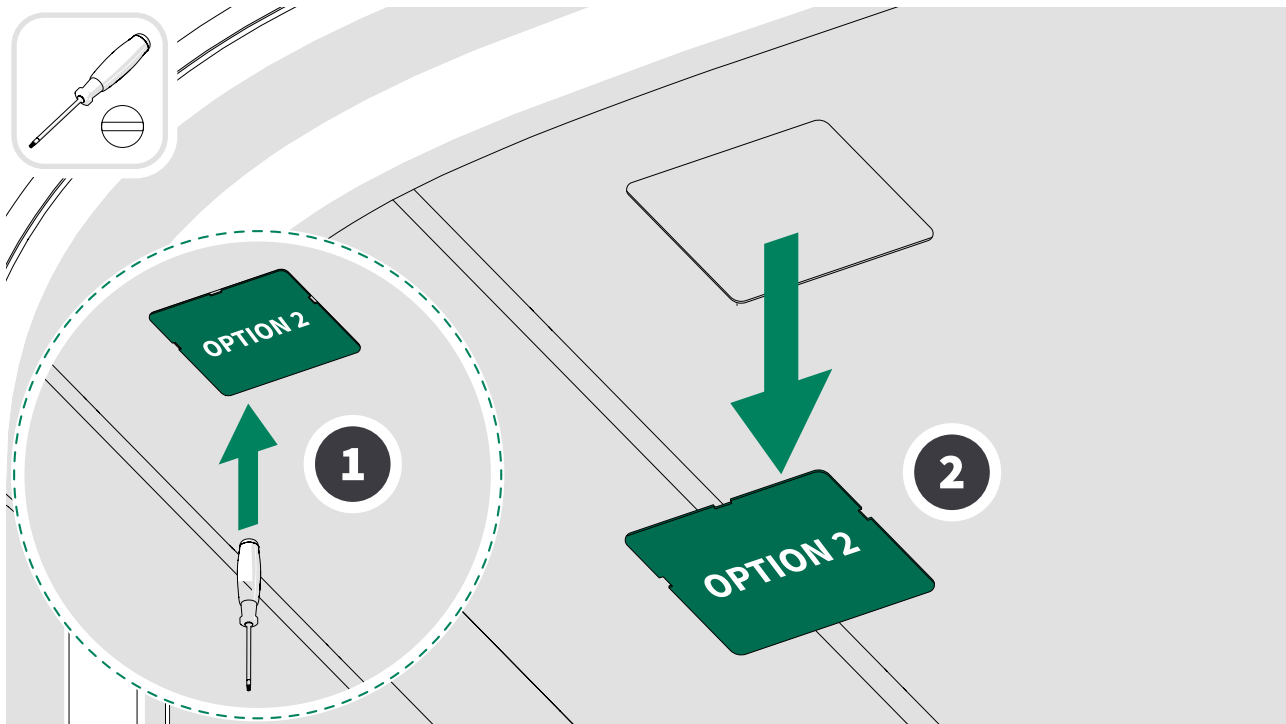
8. Use a utility knife to cut along the marked rectangle on the inner (white) side of the interior panel.



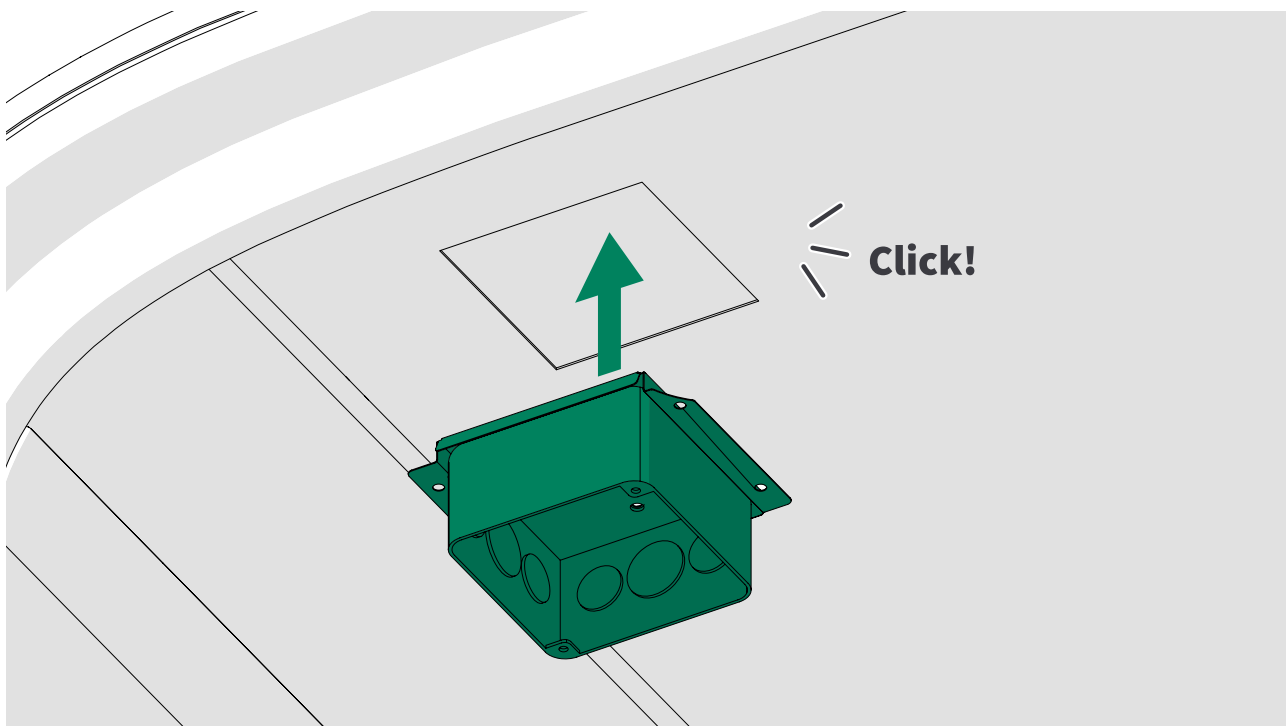
Make the final cuts from the outer (visible) side of the panel.




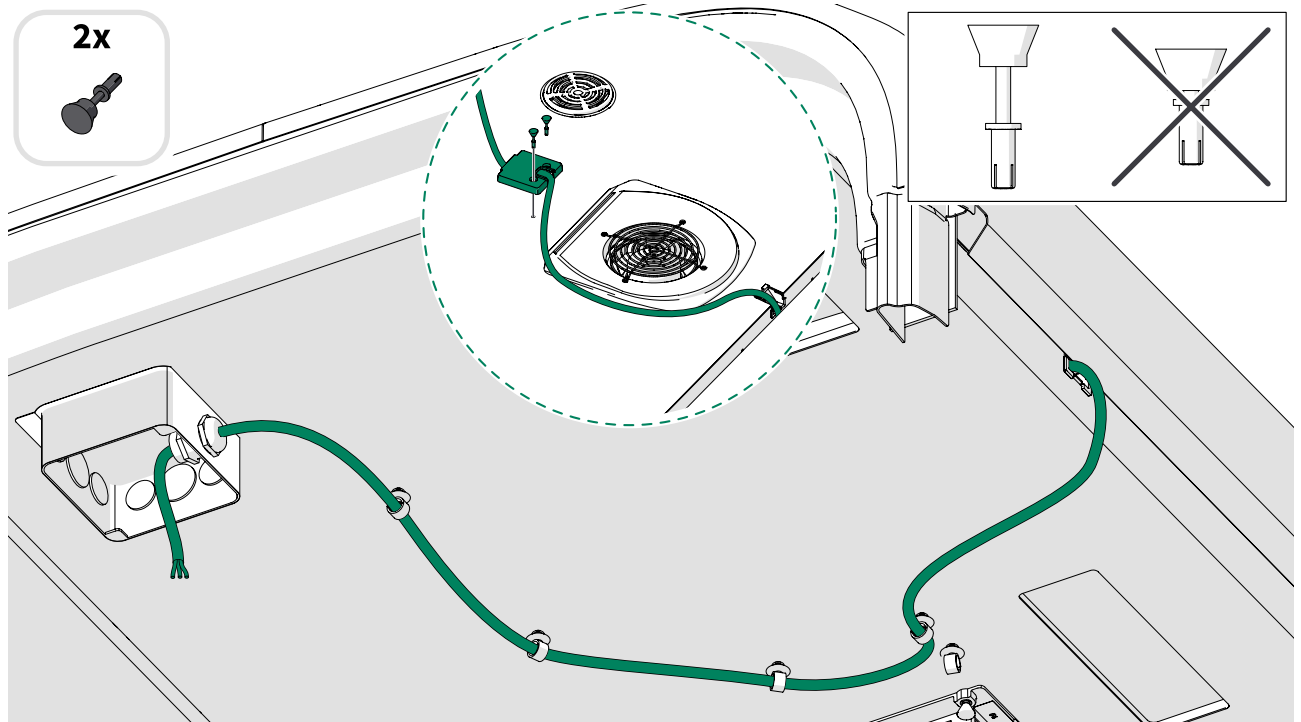
9.



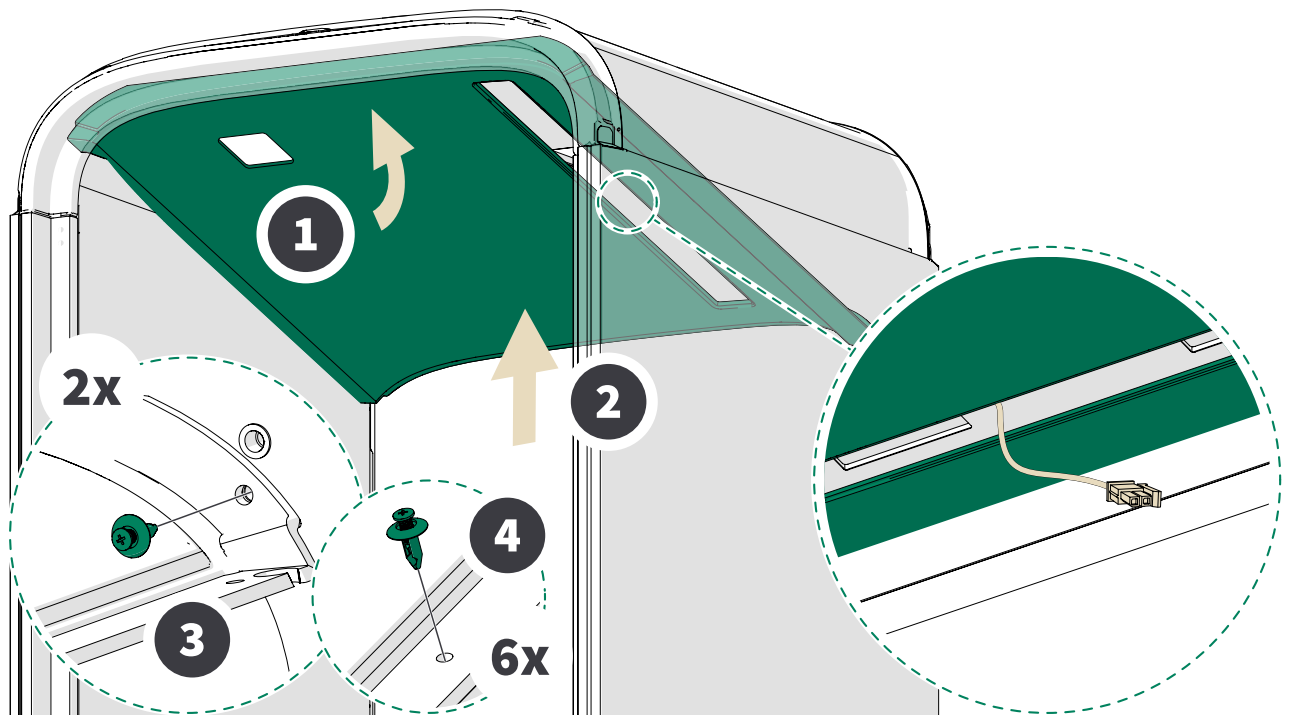
10.



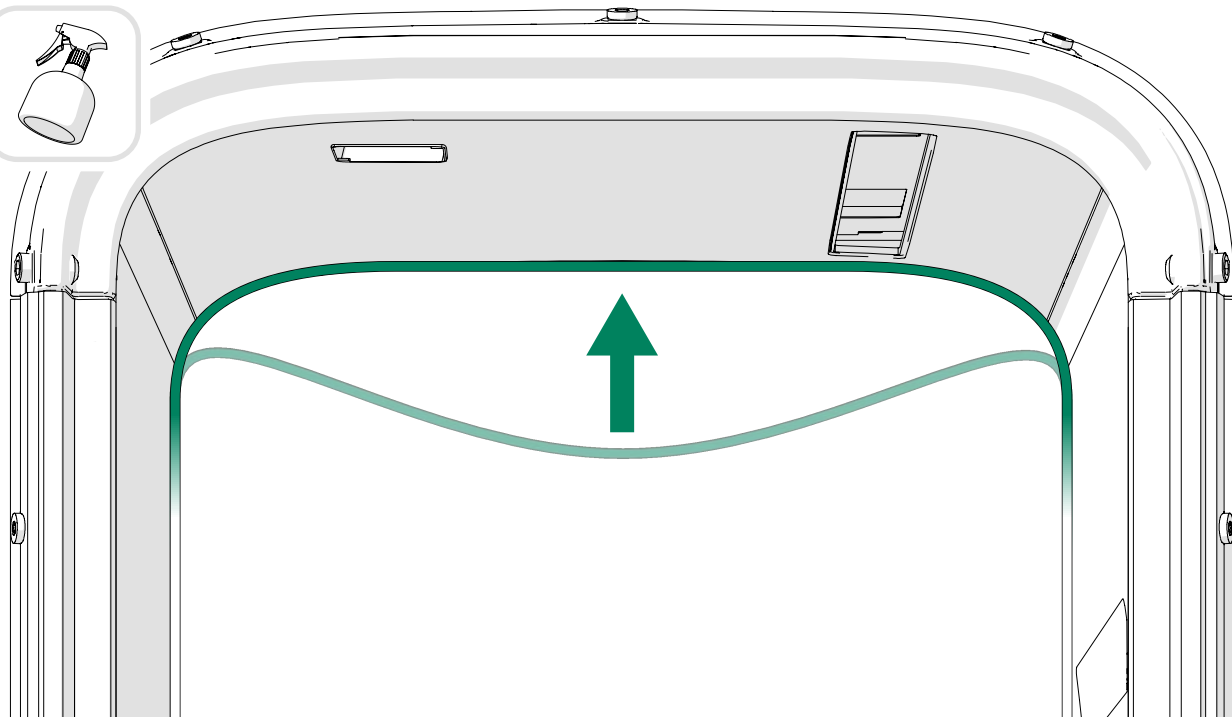
11.  **Note:** The cable routing shown in the image is optional. A conduit can be routed straight up from the junction box and through the pod ceiling.



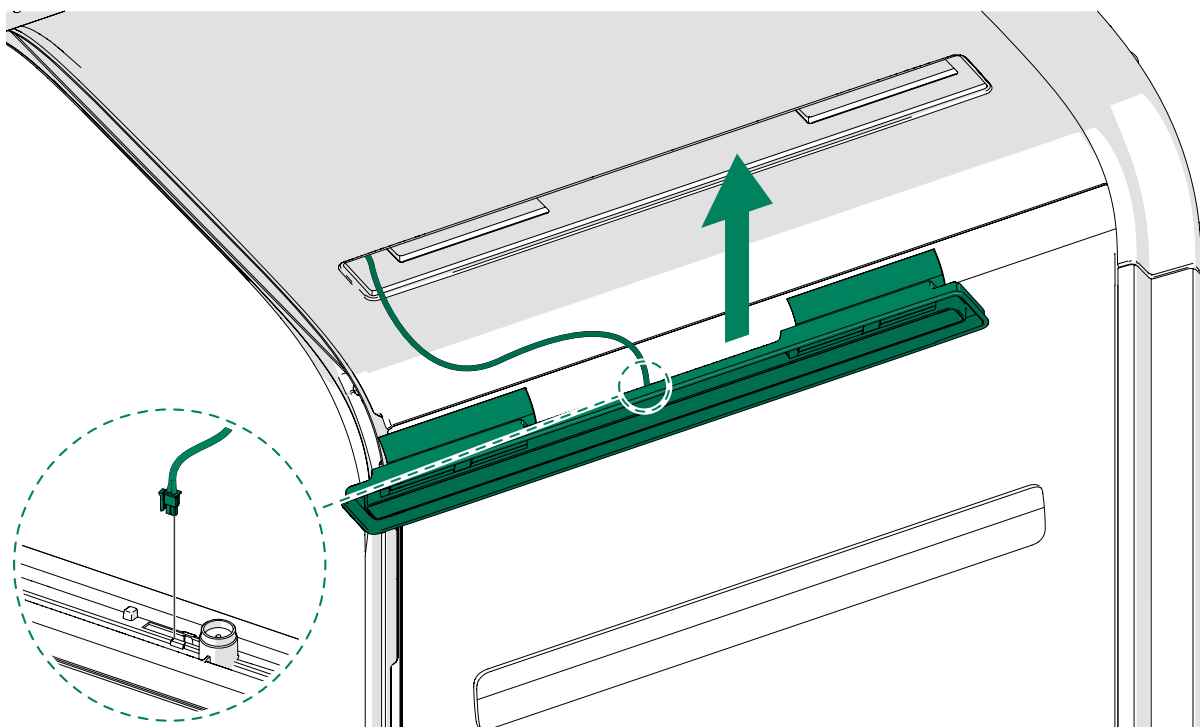
- 12.



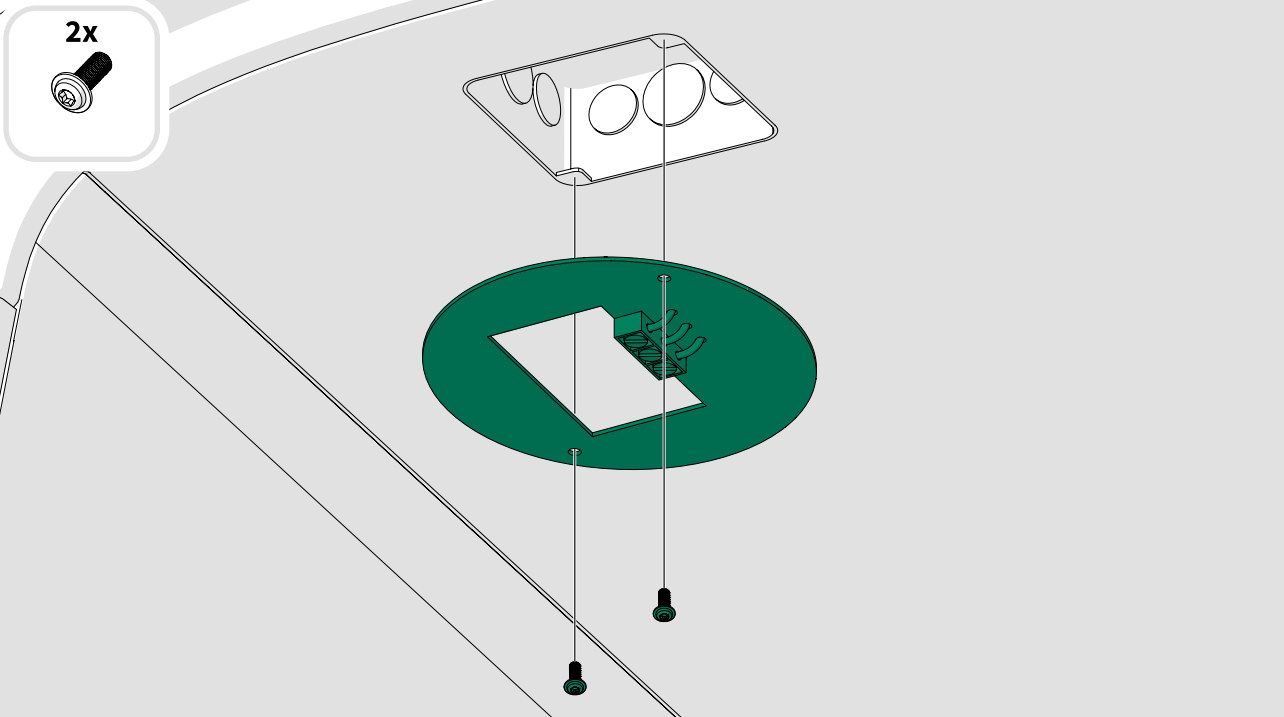
13.



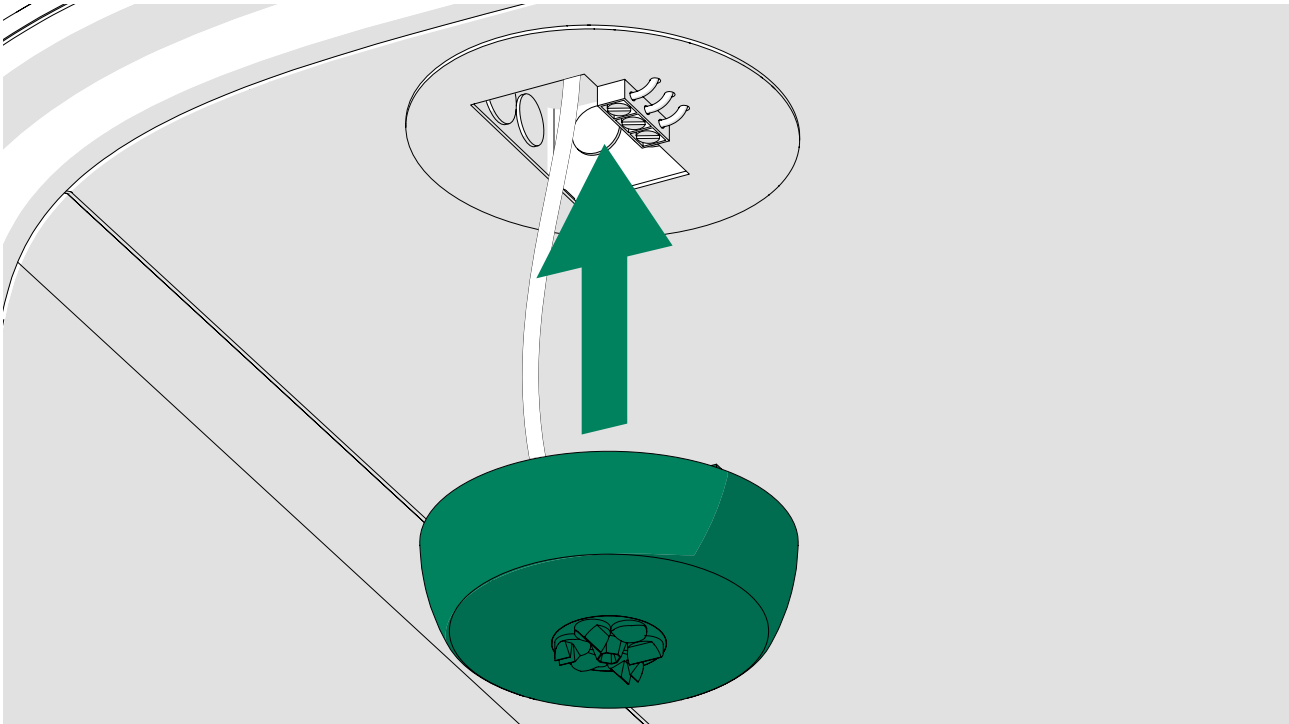
14.




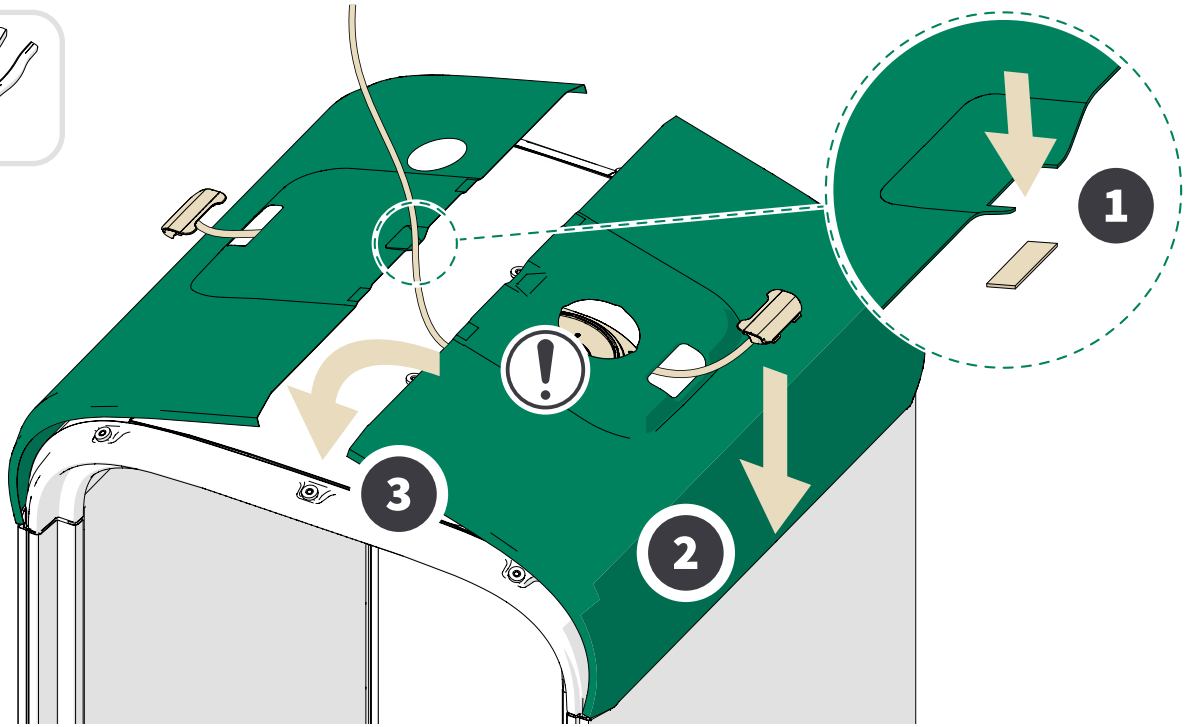
15.



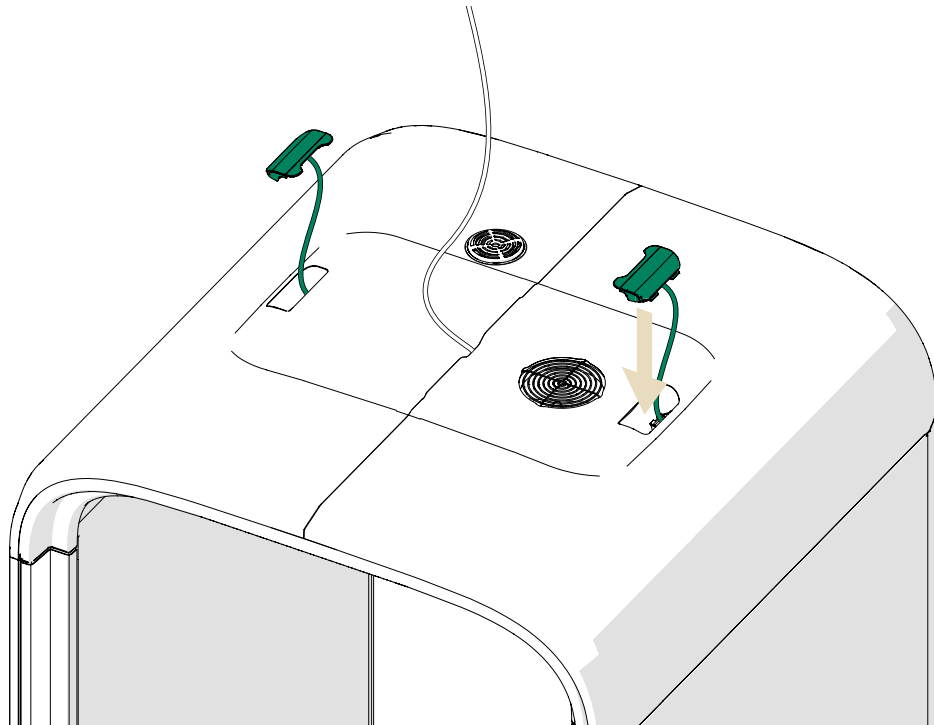
16.



17.  **Note:** Punch through the precut in the middle of the roof for the fire alarm's power cord.



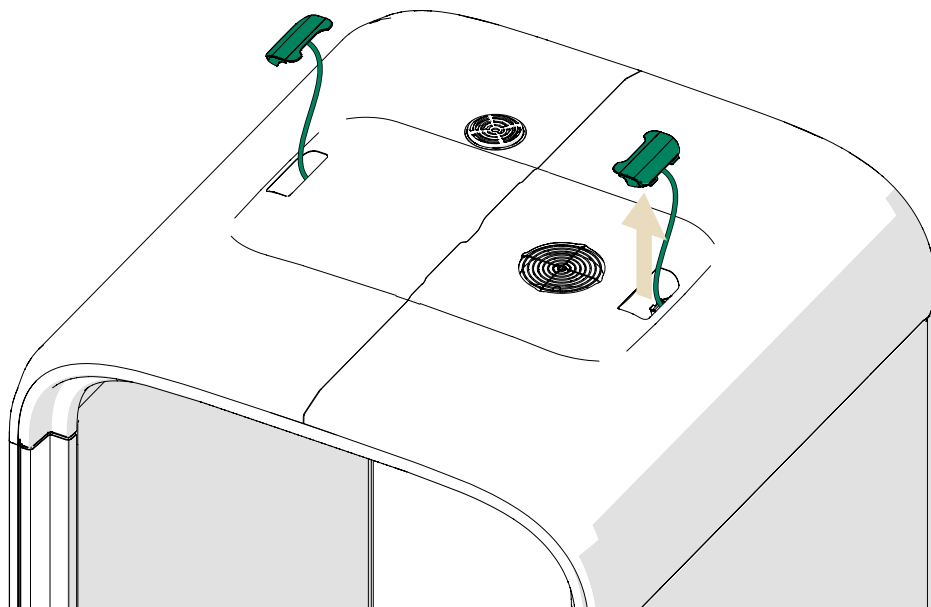
- 18.



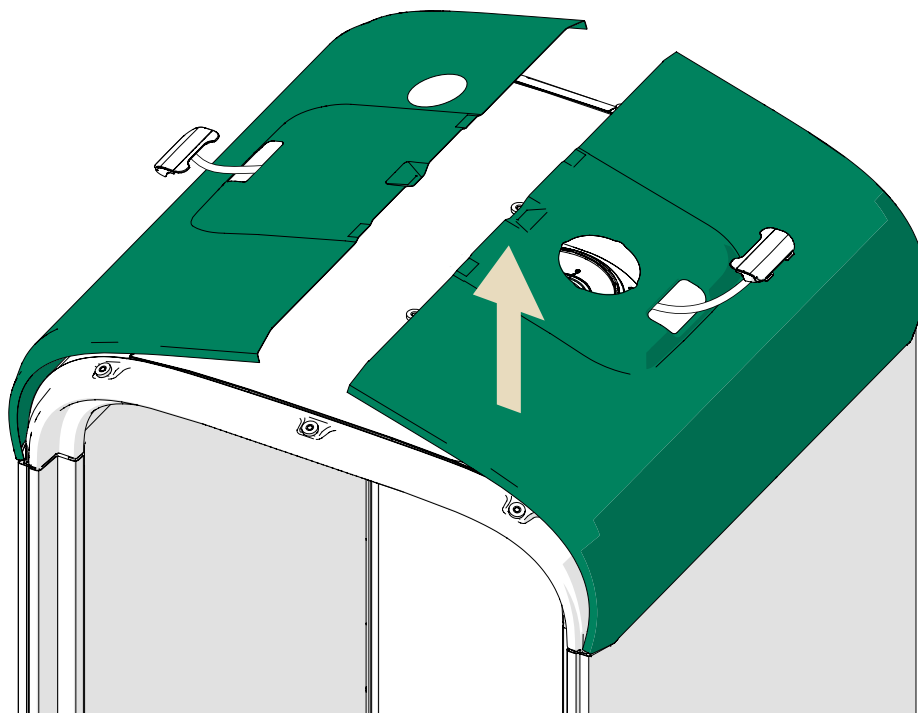
## 4 Install a fire suppression device (sprinkler or stand-alone device)

When installing a sprinkler or a stand-alone fire suppression device (e.g., a cease fire), follow this installation procedure before moving on to Section 4.1 or 4.2.

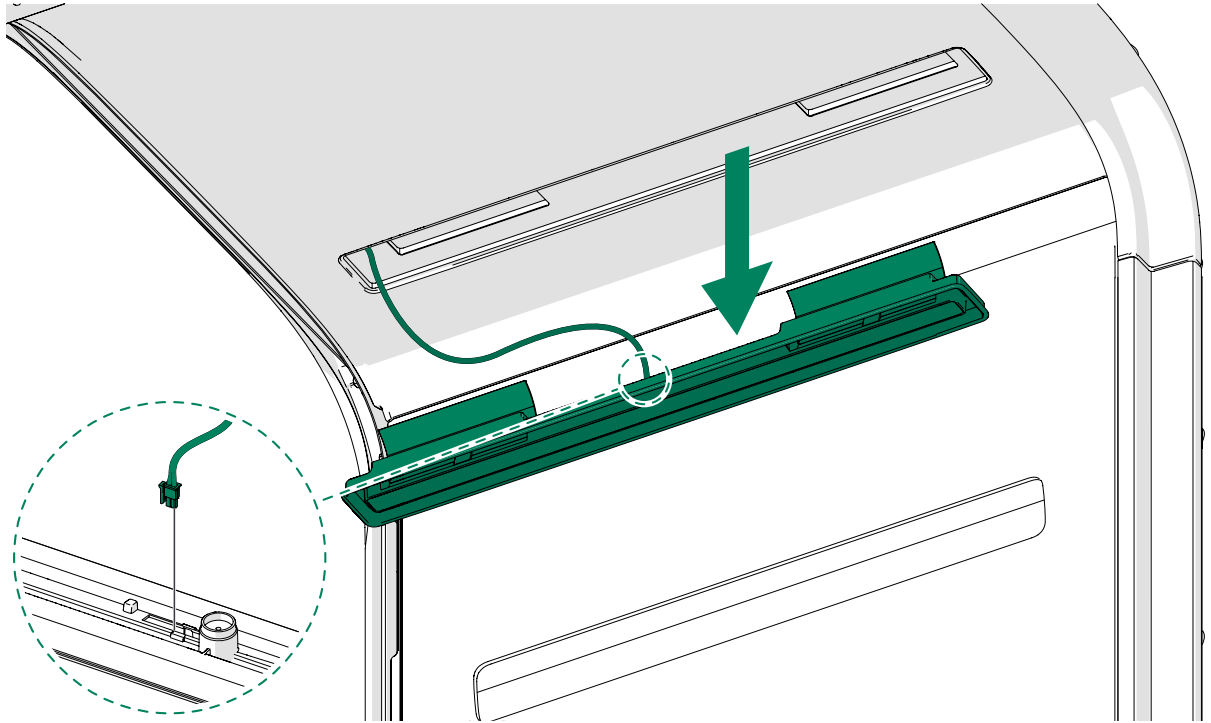
1.



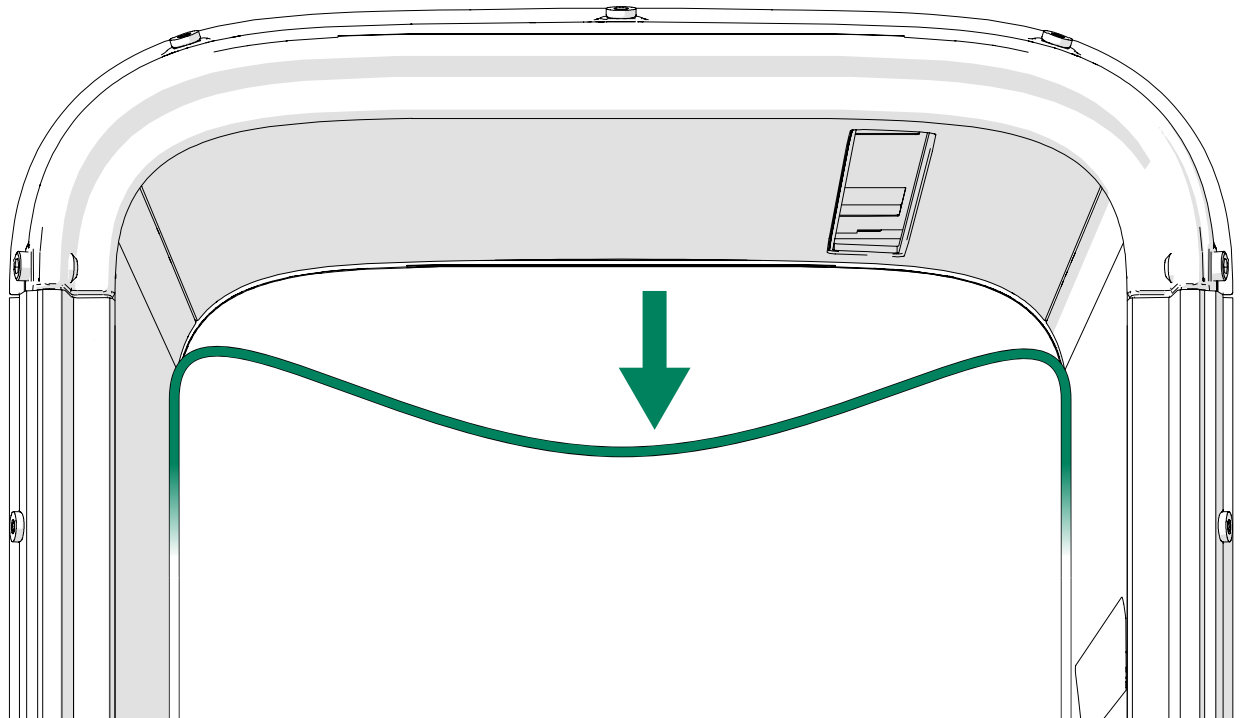
2.



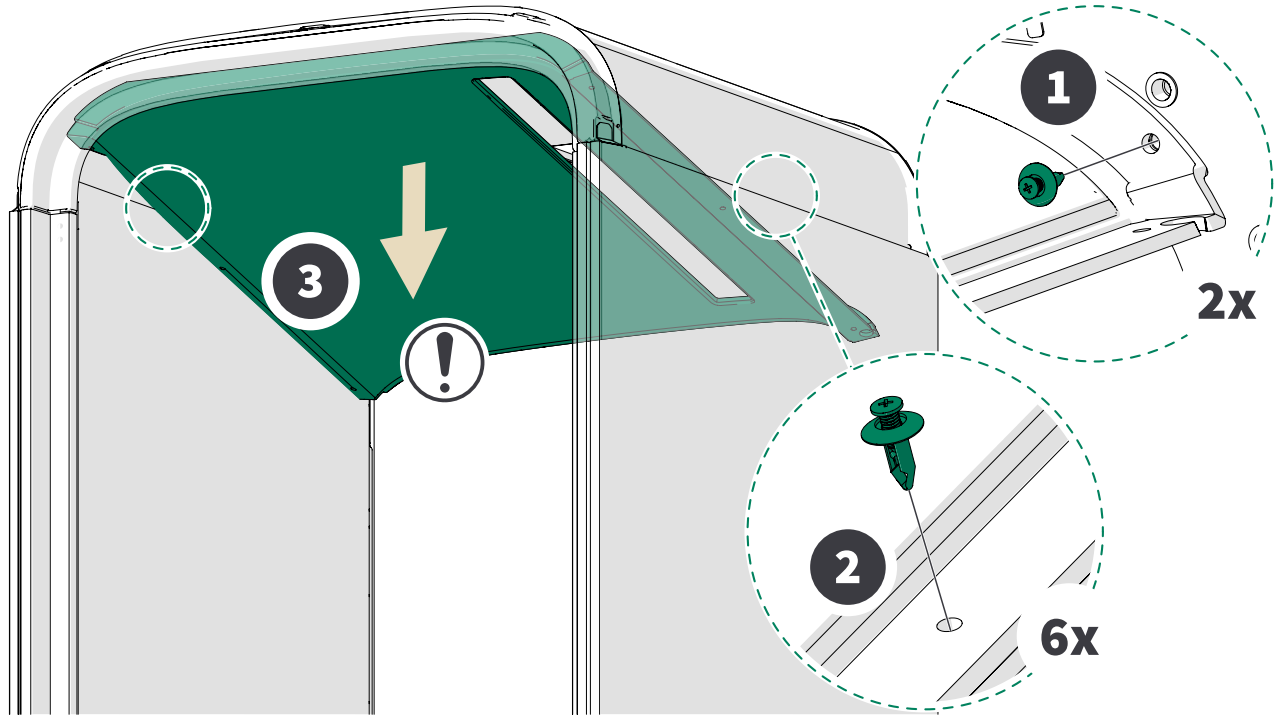
3.



4.



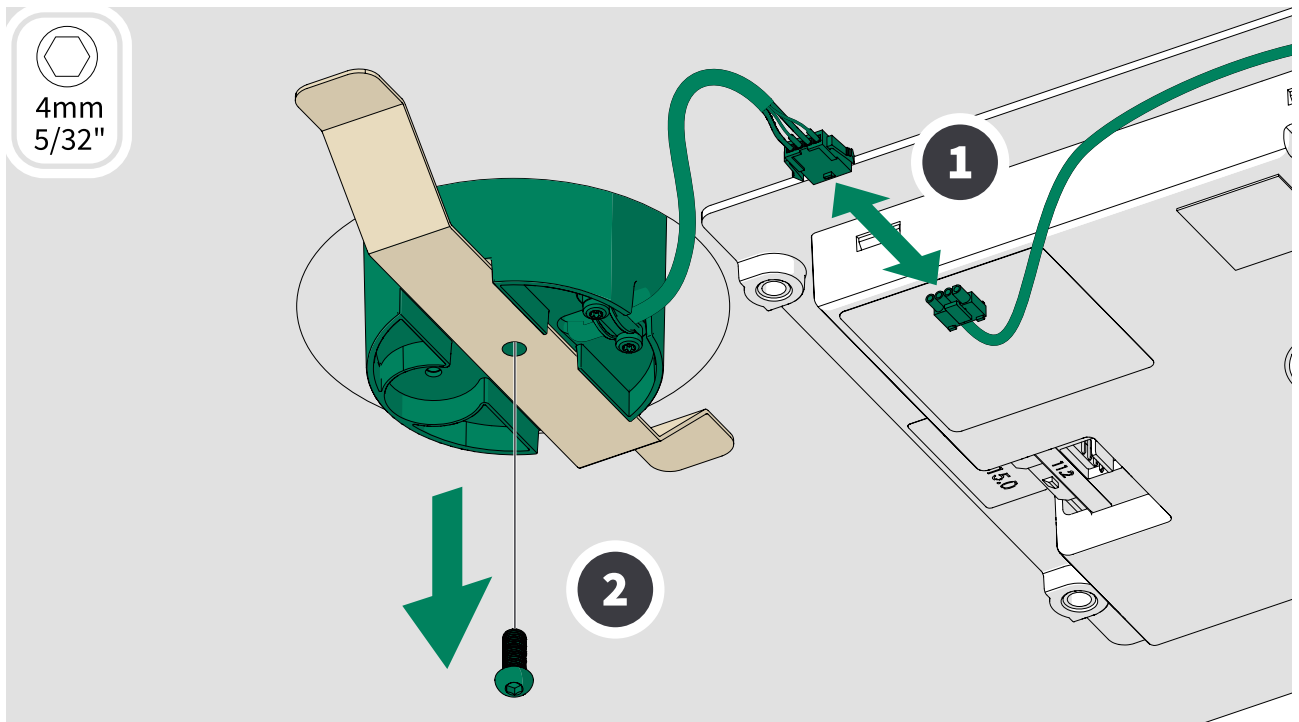
5.



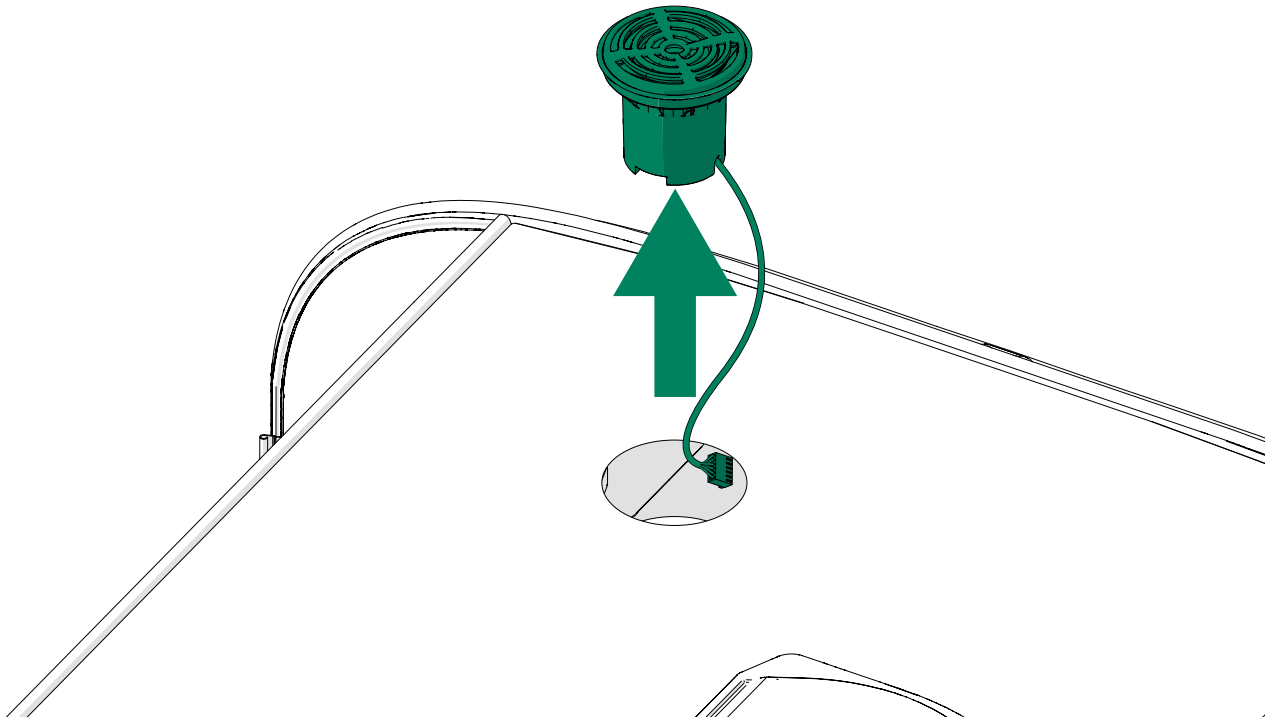
6. Disconnect the cable connector and remove the Framery Office Sound Masking System™ speaker.



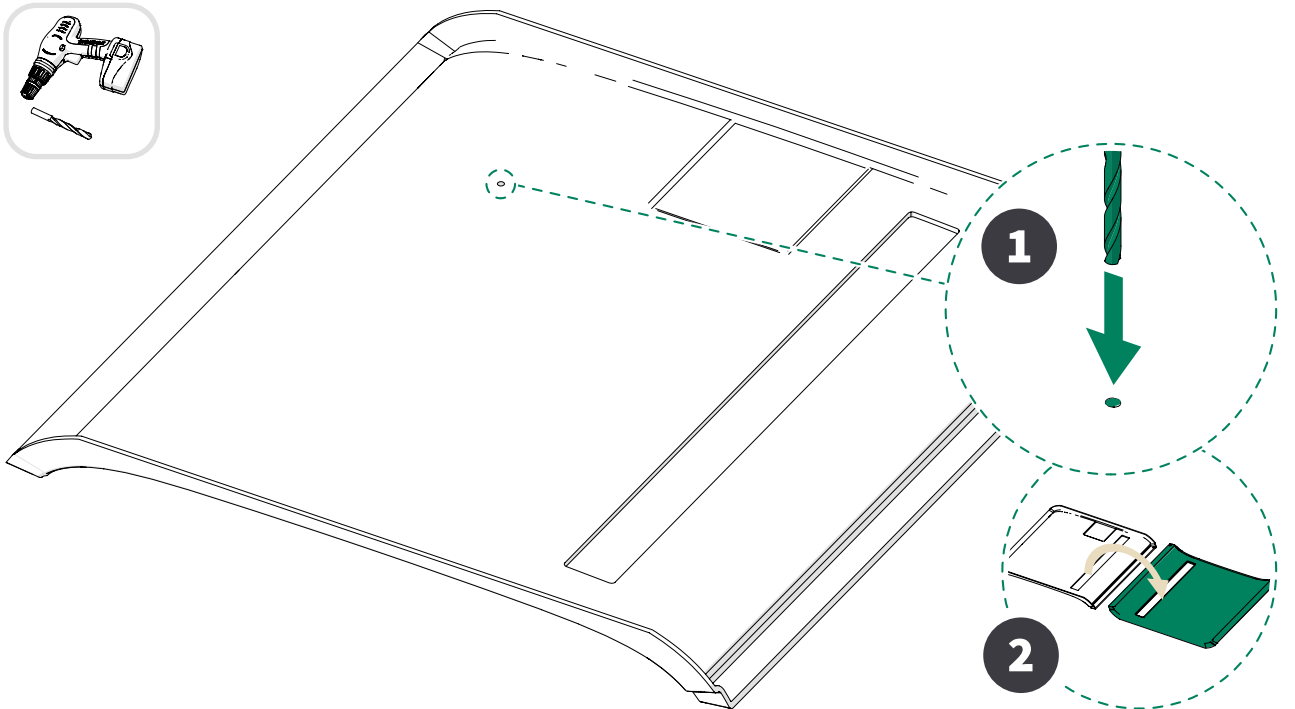
**Note:** If Pod is shipped after March 1st 2026 and FOSMS (Framery Office Sound Masking System) speaker is not in the sprinkler hole location, you can skip to step 8.



7.

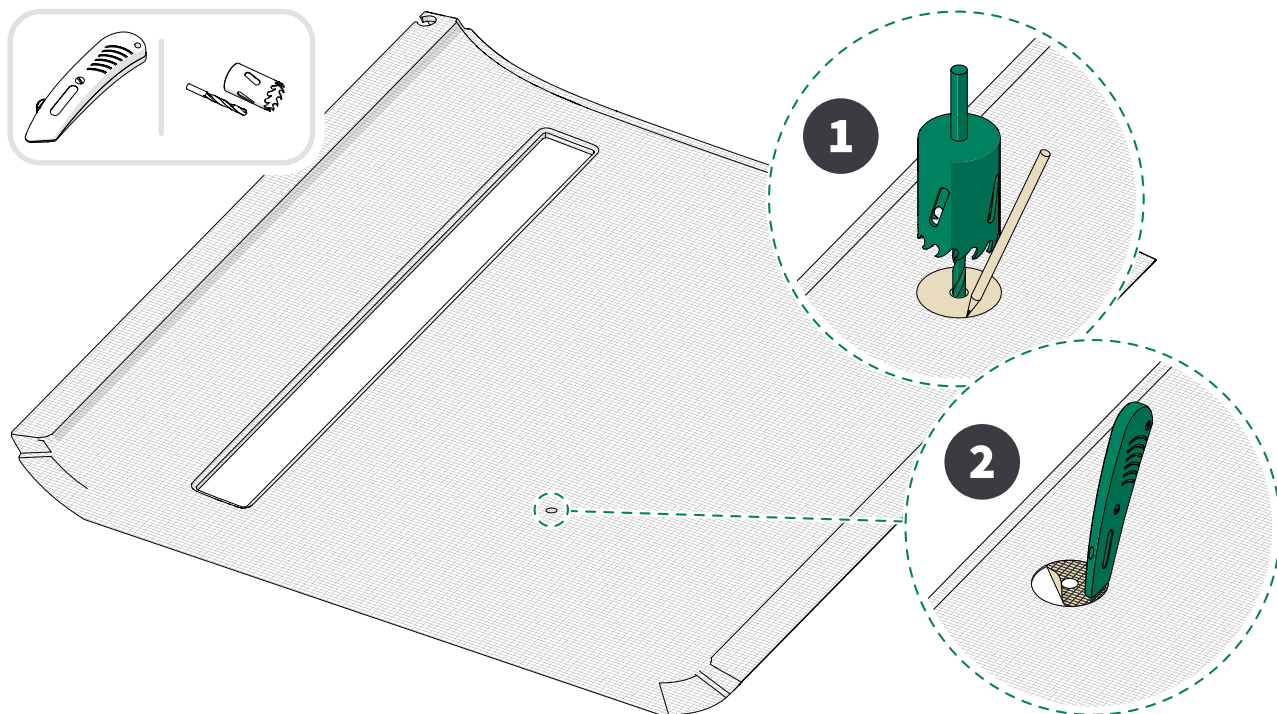


8. Locate the embossed mark on the inner side of the ceiling interior panel. Drill a pilot hole through the panel. Flip the panel over.

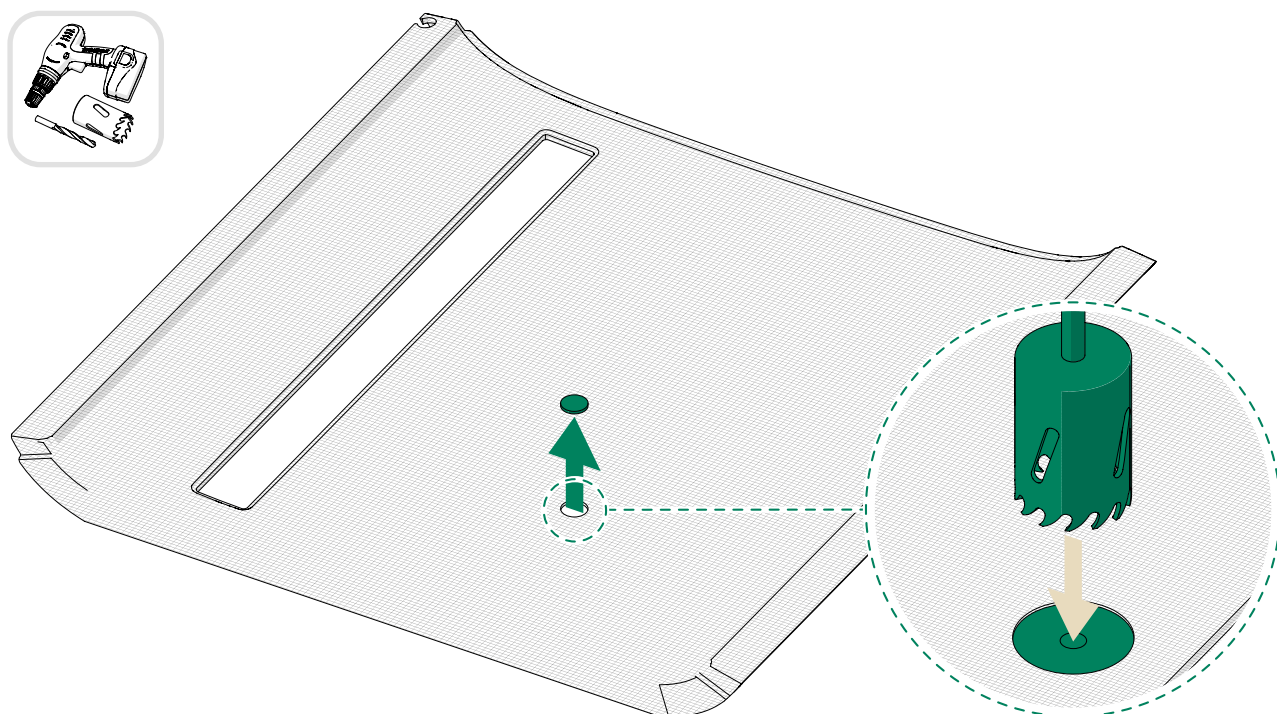


- With the fabric side of the panel facing upwards, locate the pilot hole and insert the pilot bit of the hole saw into the hole. Trace a larger circle using the hole saw as a guide. Use a utility knife to cut along the marked circle.

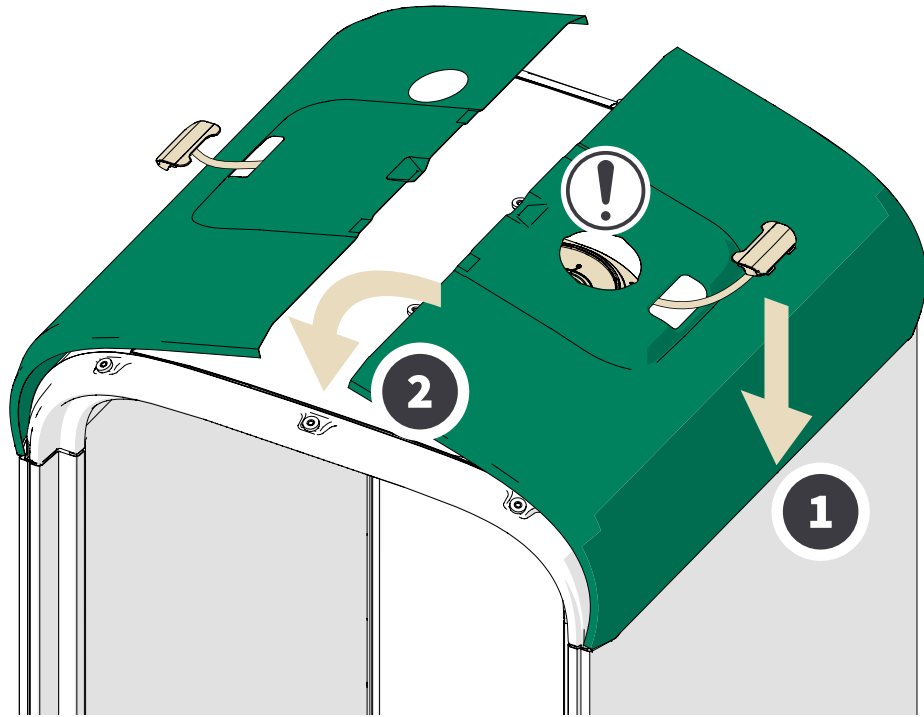
⚠ **Note:** Cut a hole to the ceiling interior panel according to the size of the sprinkler head.



- Finish the cut through the fabric using the hole saw.




11.

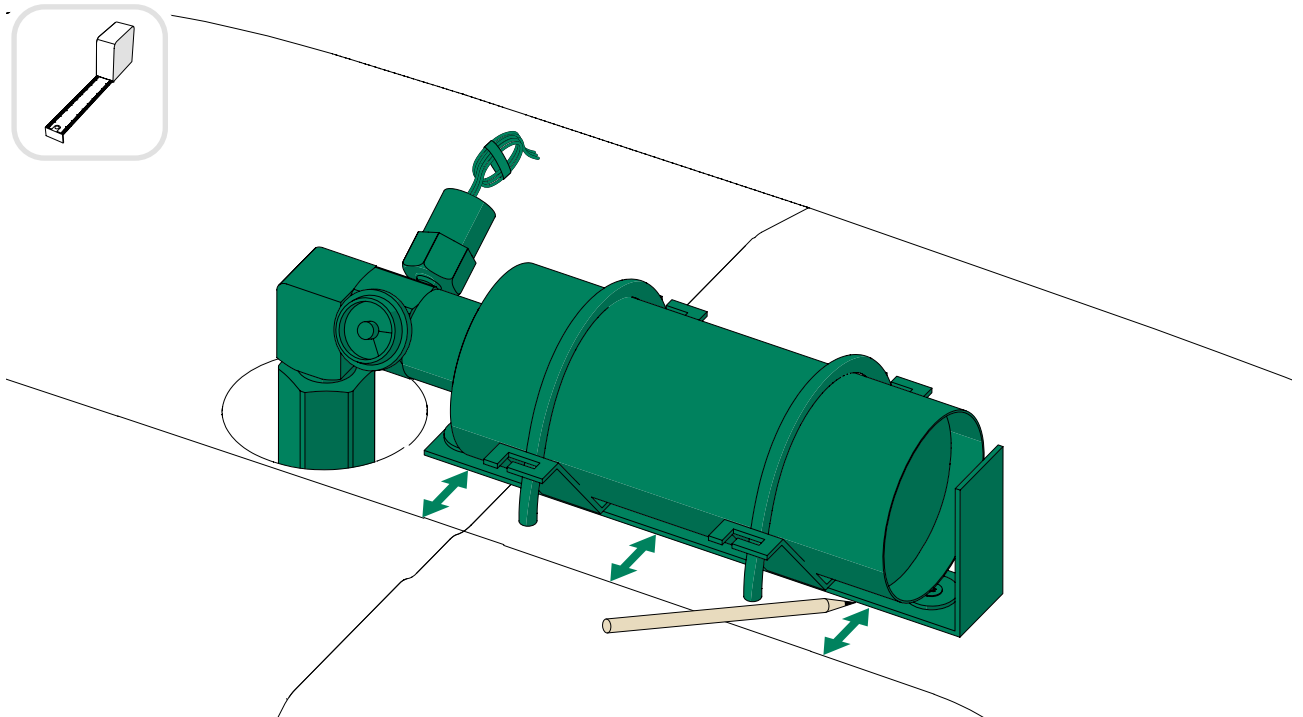


If installing a stand-alone fire suppression device (e.g., a cease fire), see Section 4.1 "Install the cease fire".

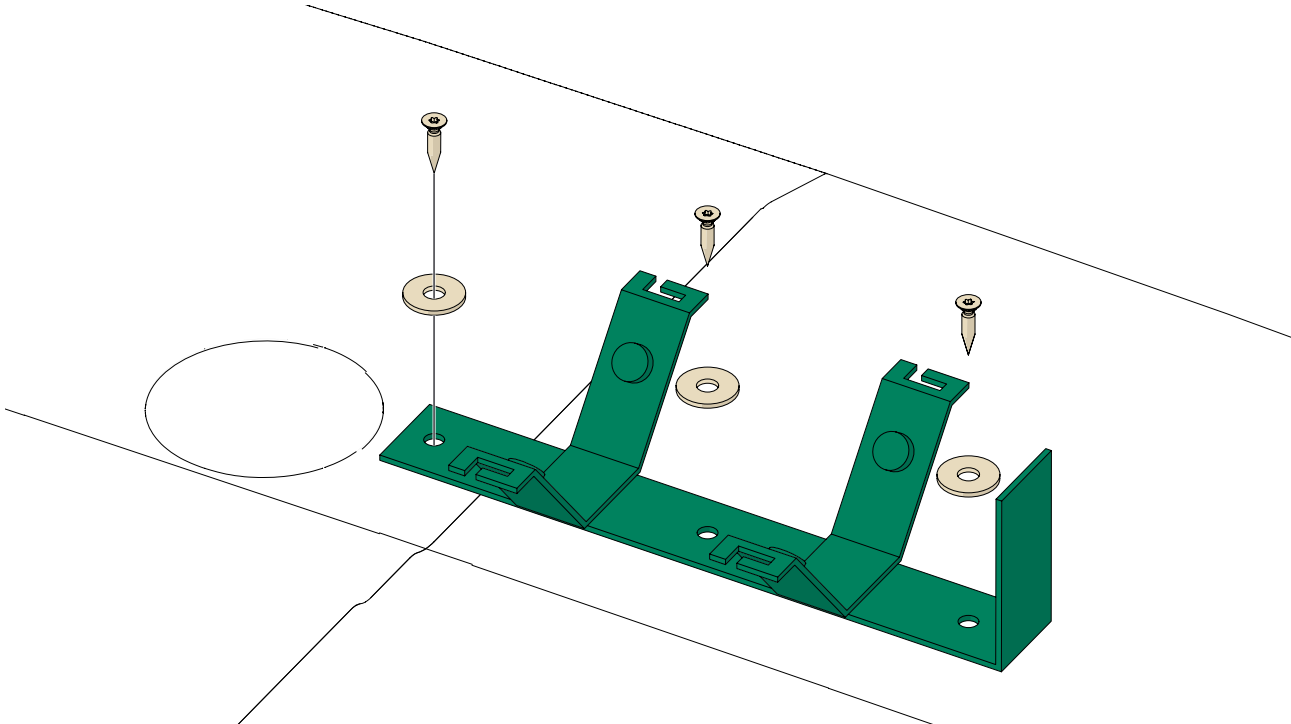
If installing a sprinkler, see Section 4.2 "Install the sprinkler (hard pipe or flexible pipe)".

#### 4.1 Install the cease fire

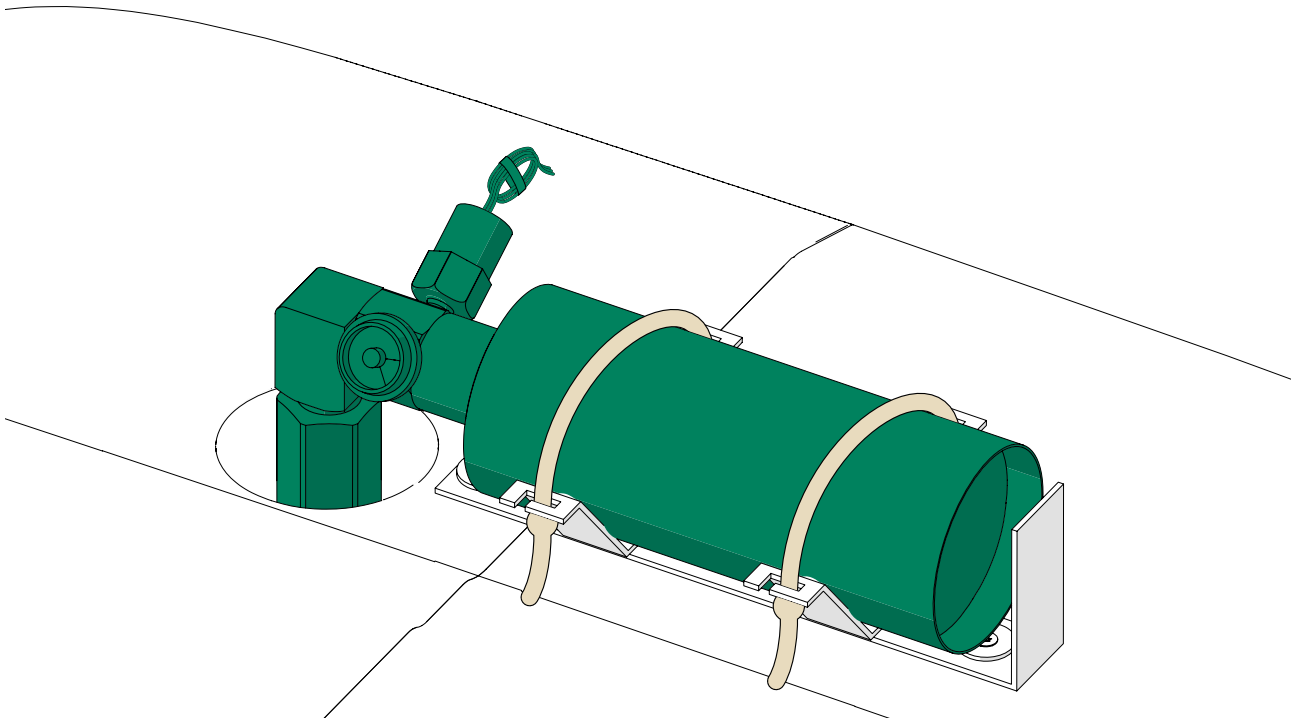
1.  **Note:** The size of the cease fire device may vary.



2.



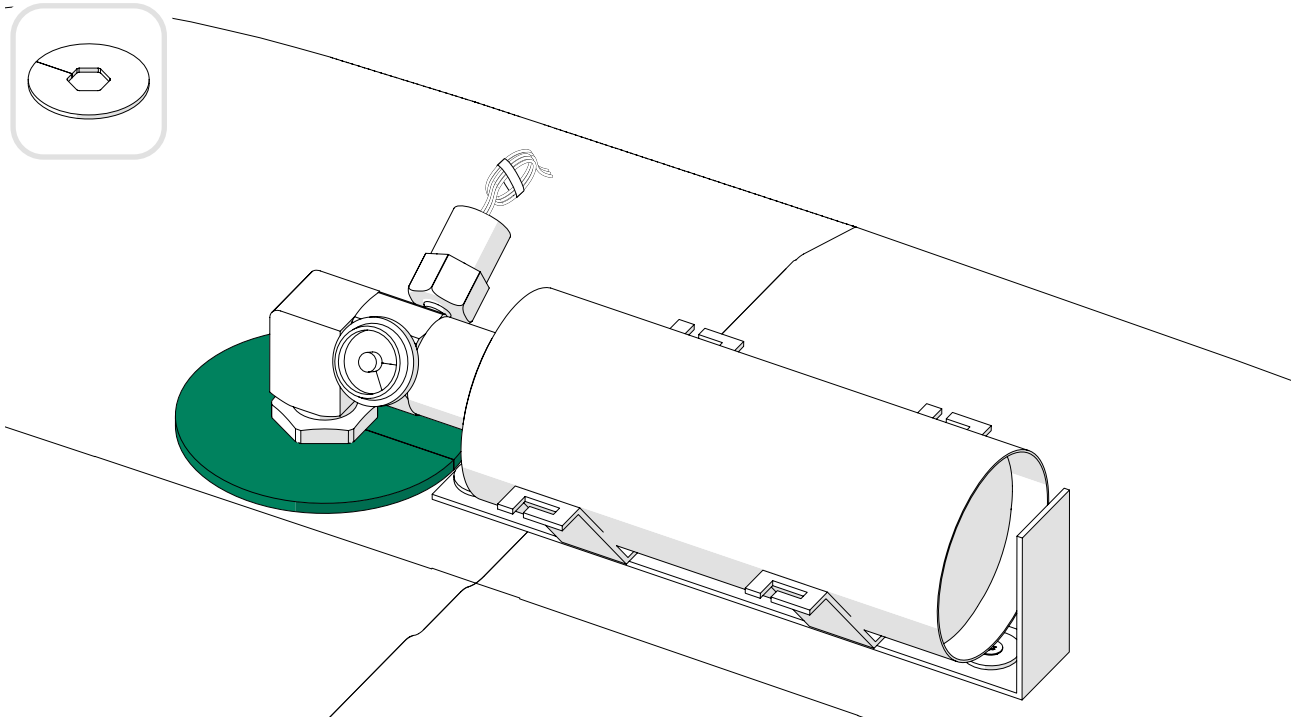
3.



4.



**Note:** If the cease fire is to be connected to main alarm panel, this can be done at a later date by an electrician. Leave the wires bundled, there is no need to connect them at this time.



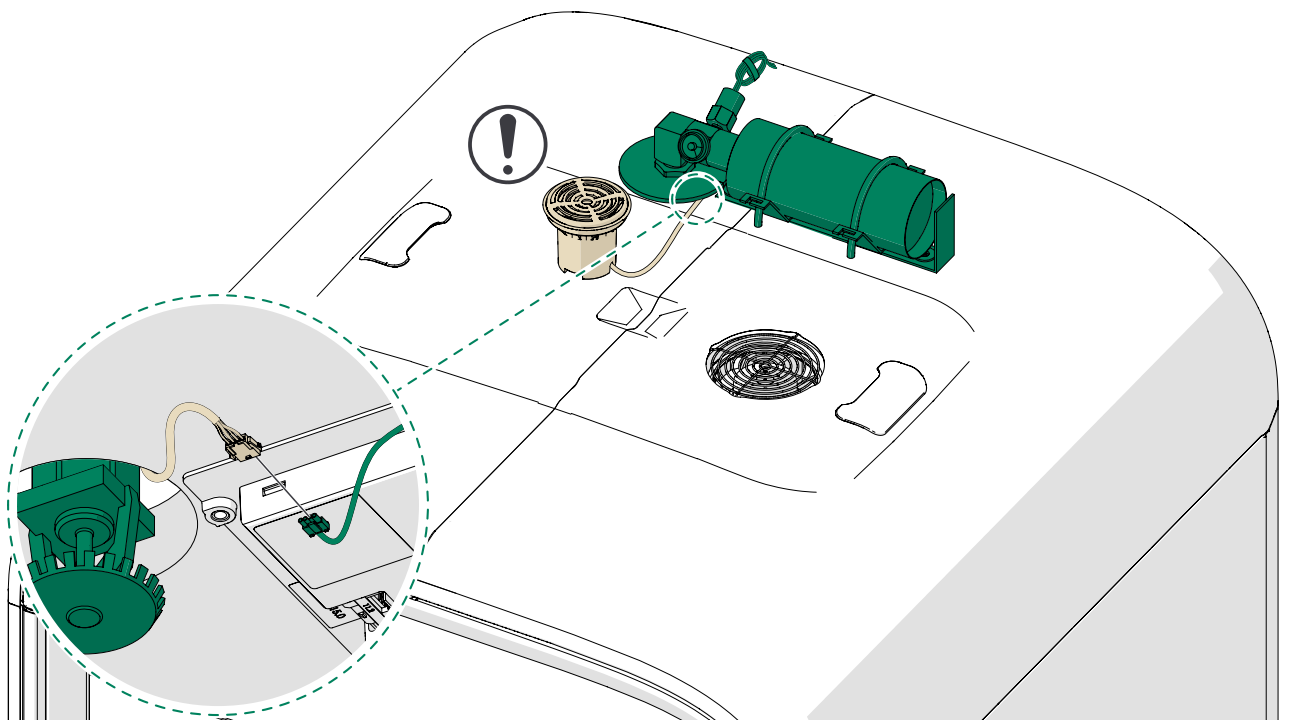
5.



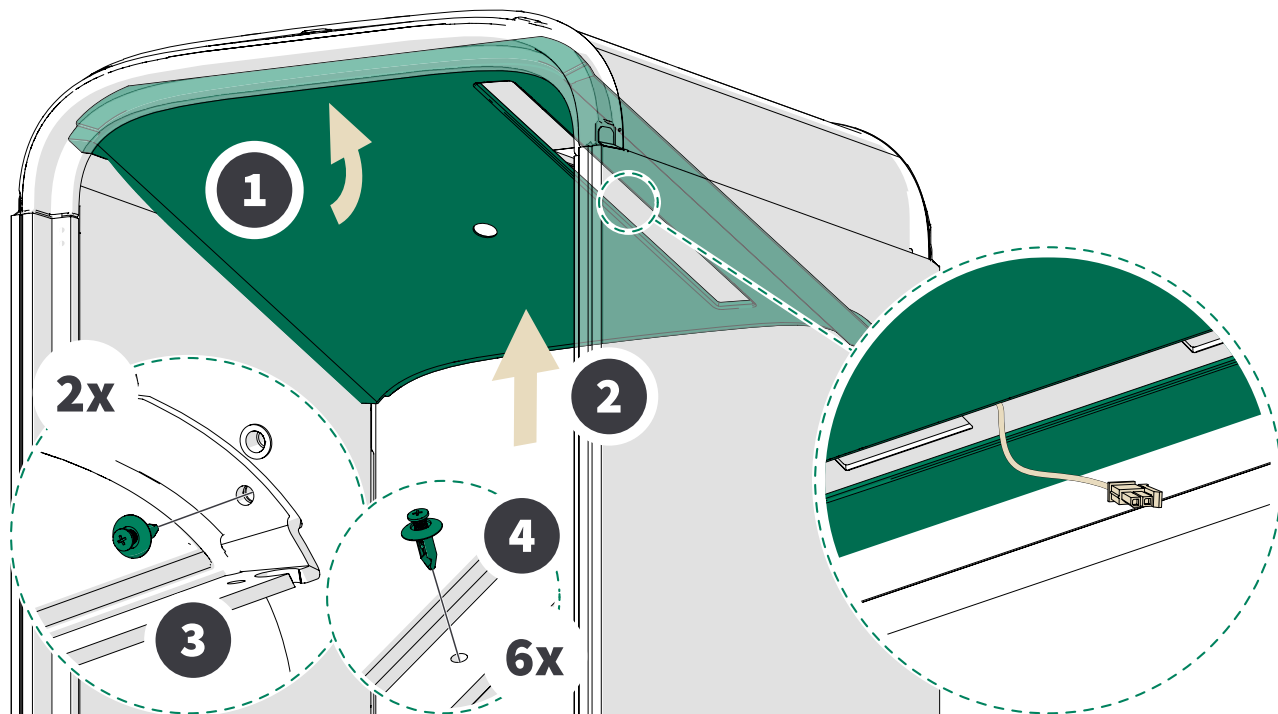
**Note:** You can attach the Framery Office Sound Masking System™ speaker to the roof using the built-in magnet.



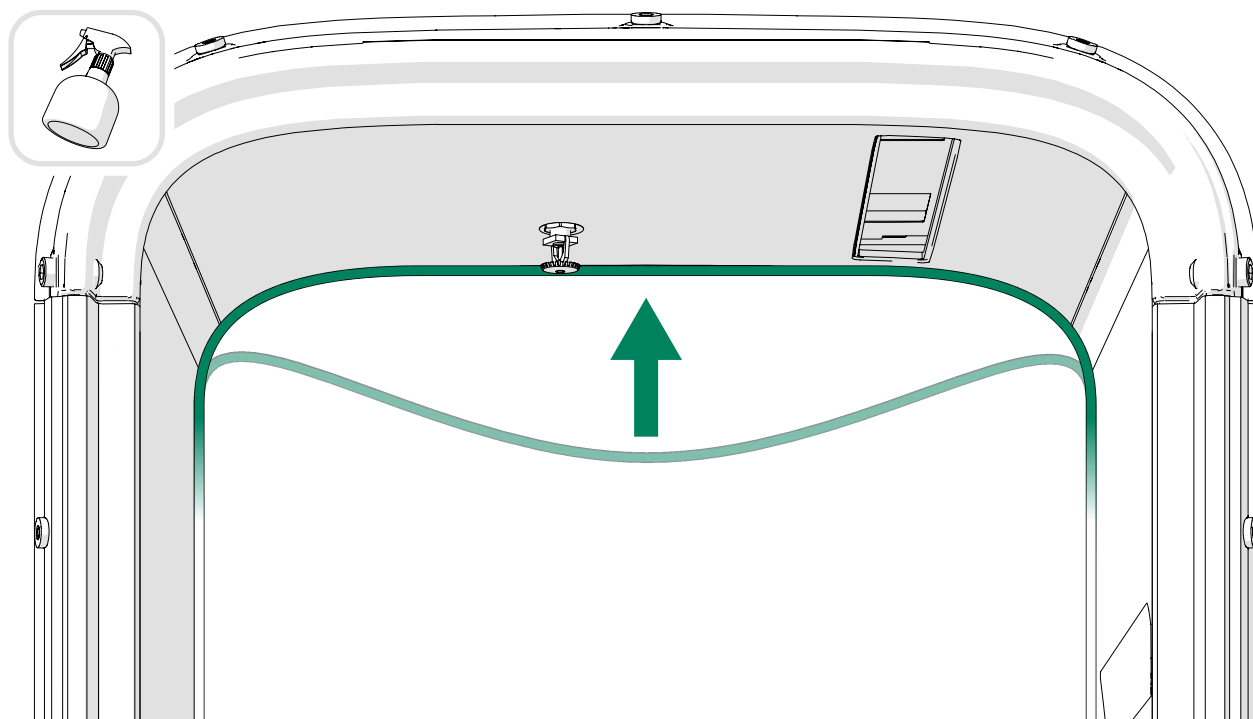
**Note:** If Pod is shipped after March 1st 2026 and FOSMS (Framery Office Sound Masking System) speaker is not in the sprinkler hole location, this step can be ignored.

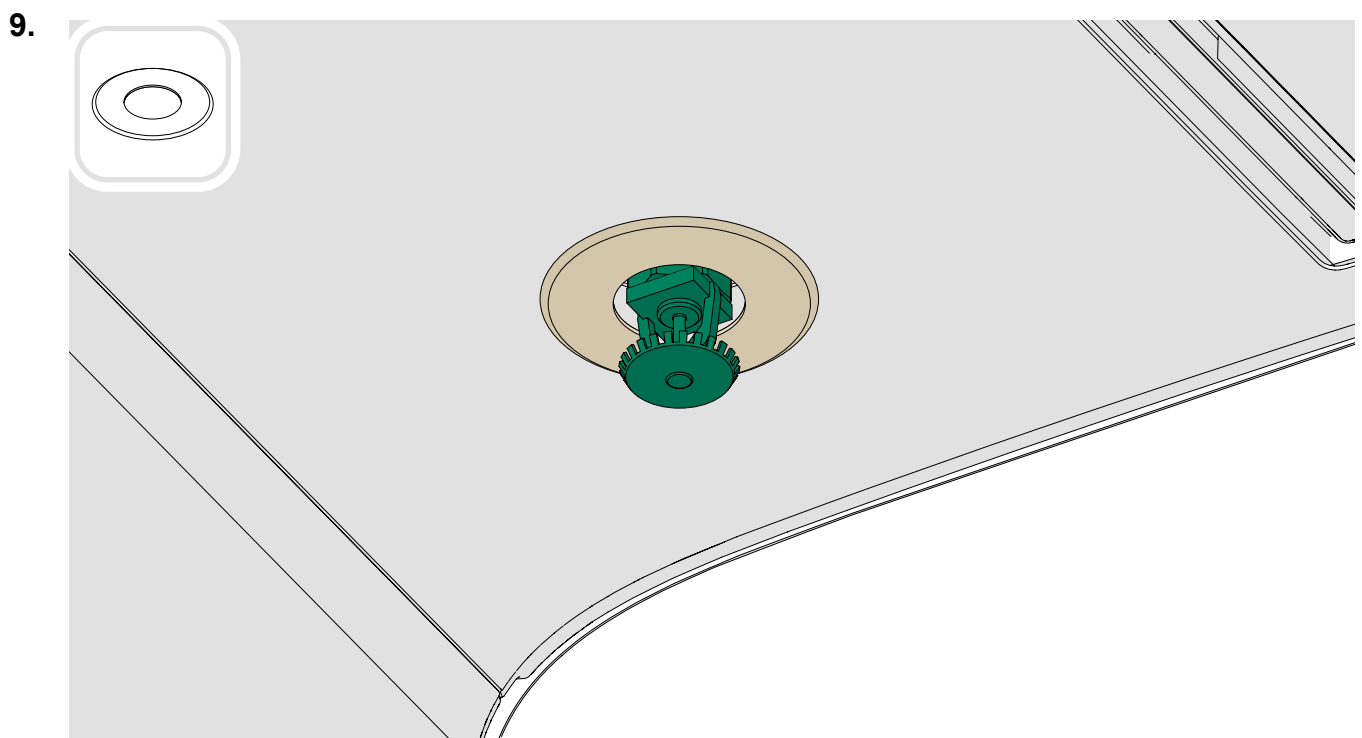
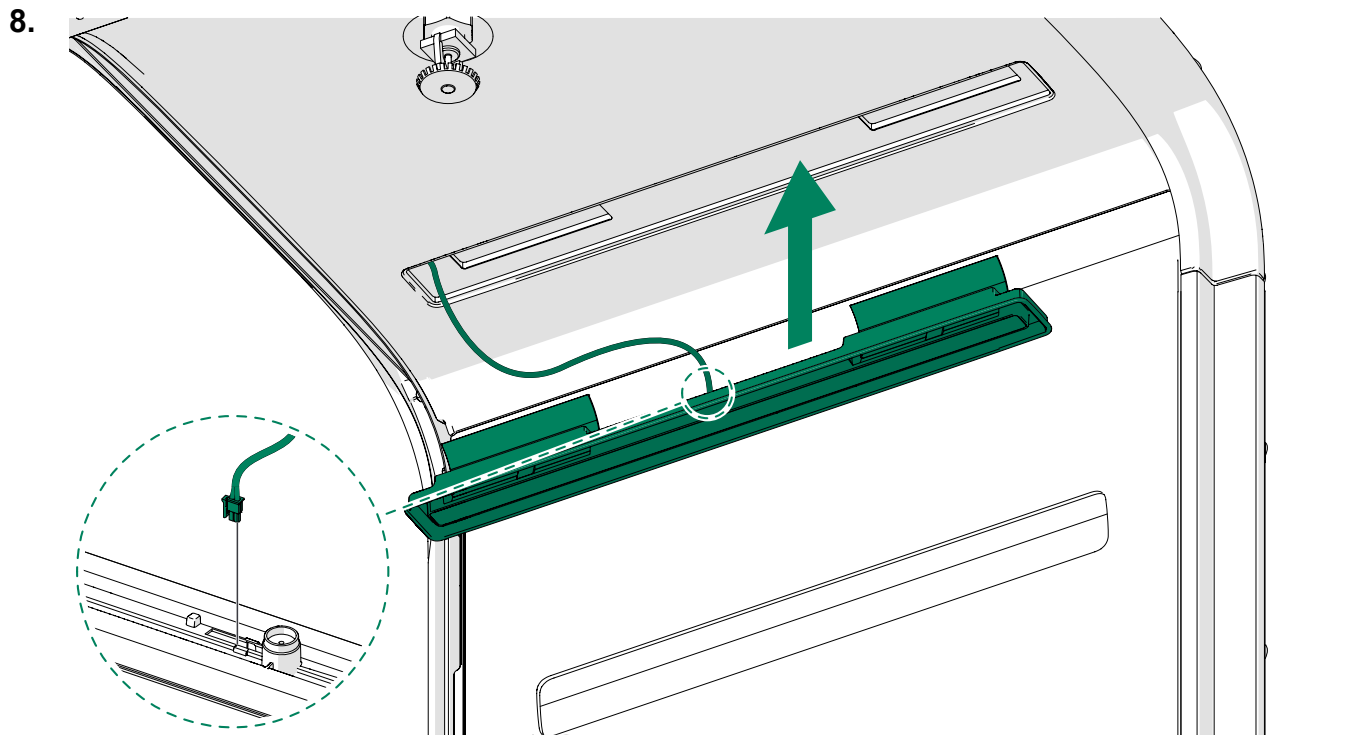


6.



7.

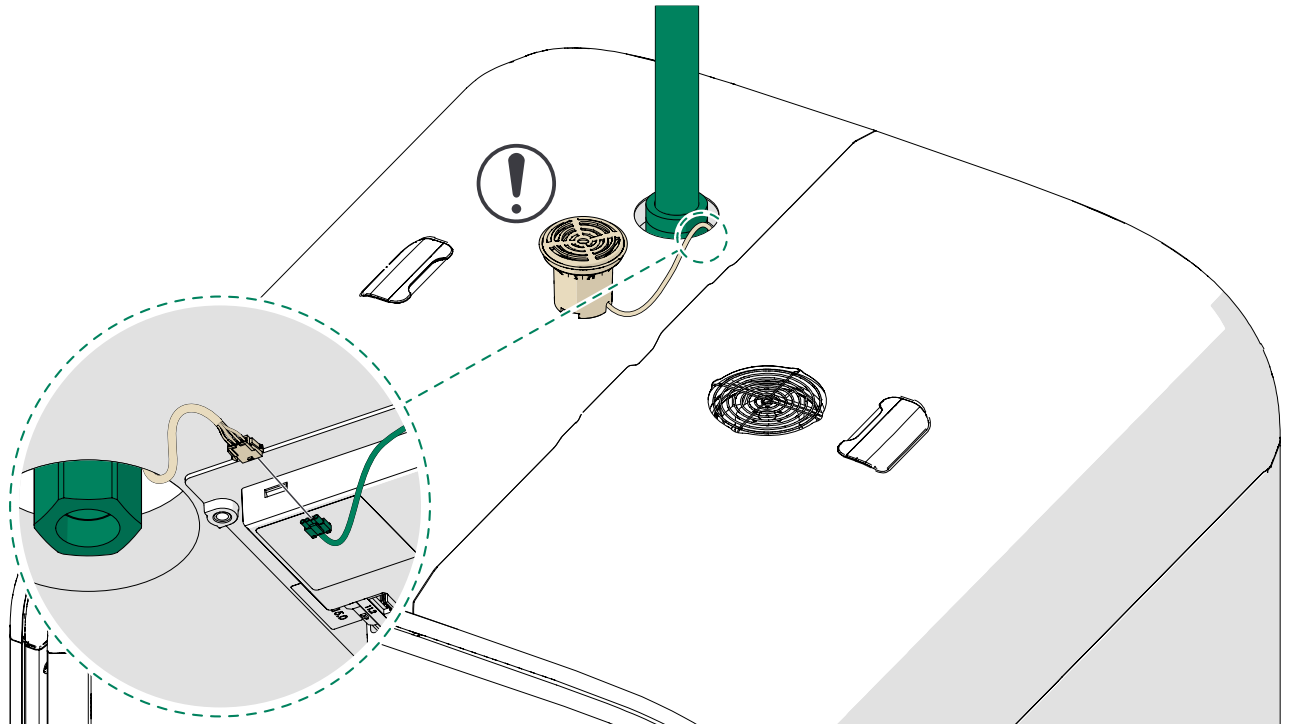




#### 4.2 Install the sprinkler (hard pipe or flexible pipe)

1. Bring the sprinkler hose through the roof.

- ⓘ **Note:** You can attach the Framery Office Sound Masking System™ speaker to the roof using the built-in magnet.
- ⓘ **Note:** If Pod is shipped after March 1st 2026 and FOSMS (Framery Office Sound Masking System) speaker is not in the sprinkler hole location, this step can be ignored.



- ⓘ **Note:** If you are using a flexible sprinkler pipe, attach it on the roof of the pod using a rigid mount and 4.5 x 15 mm (½ in) self-tapping screws.

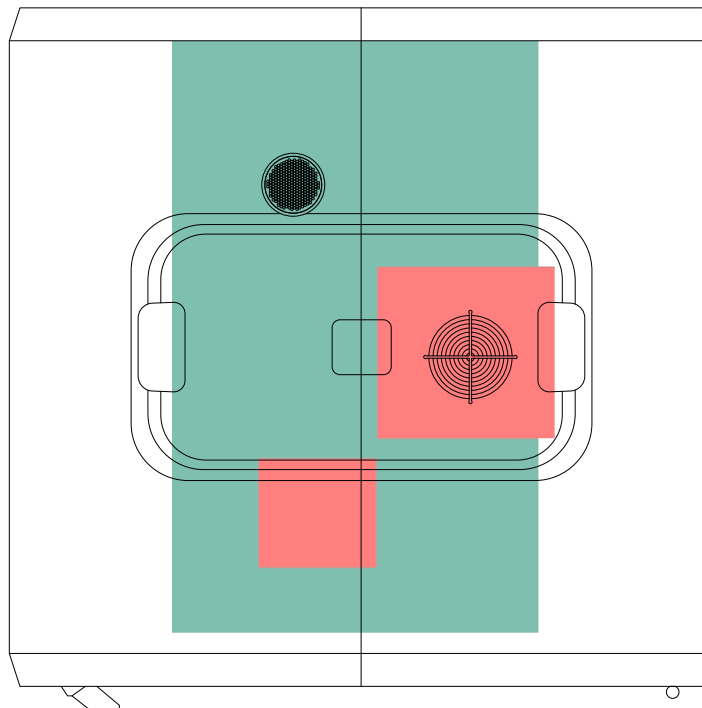
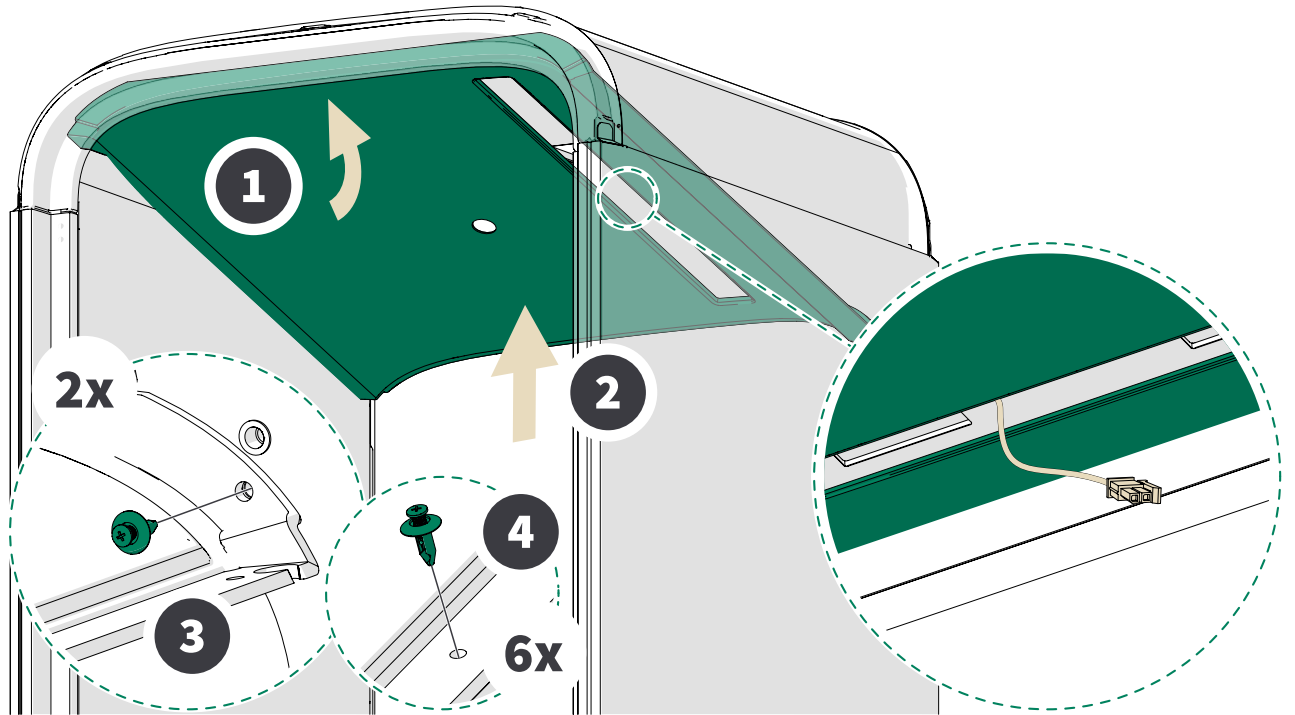
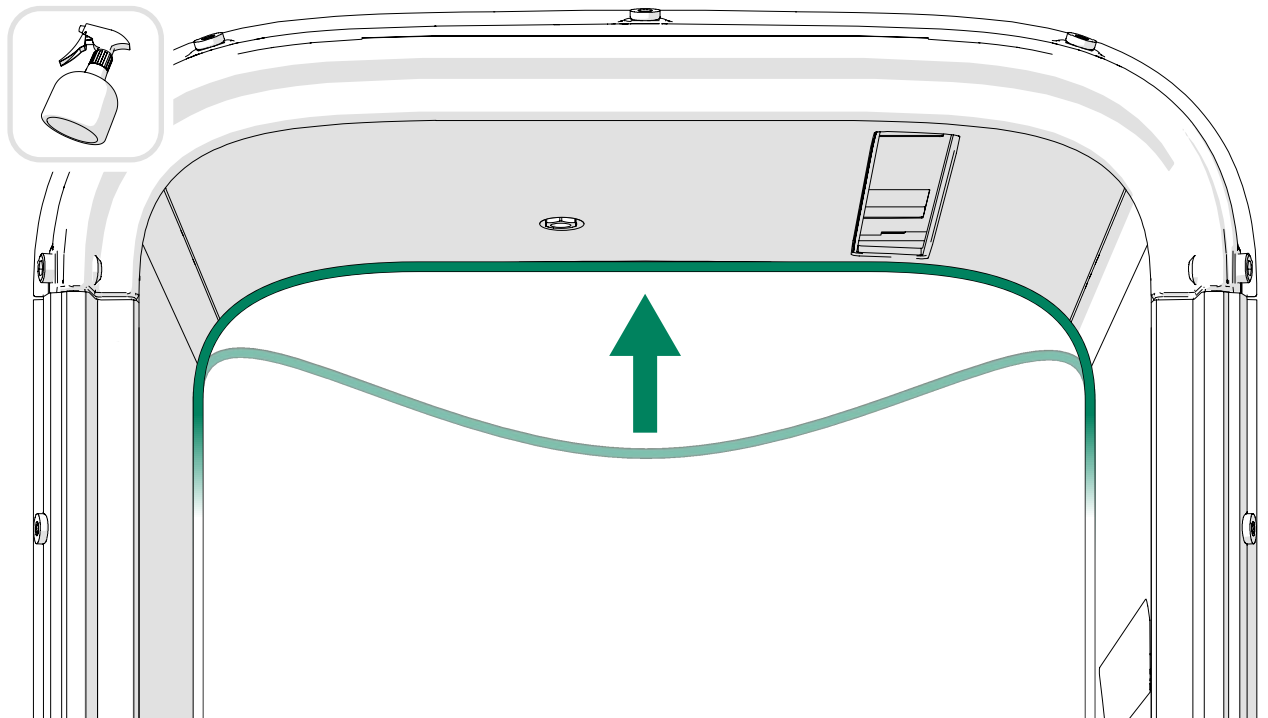


Figure 7: Suitable area for flexible sprinkler pipe mount attachment (green), and areas to be avoided (red), top view

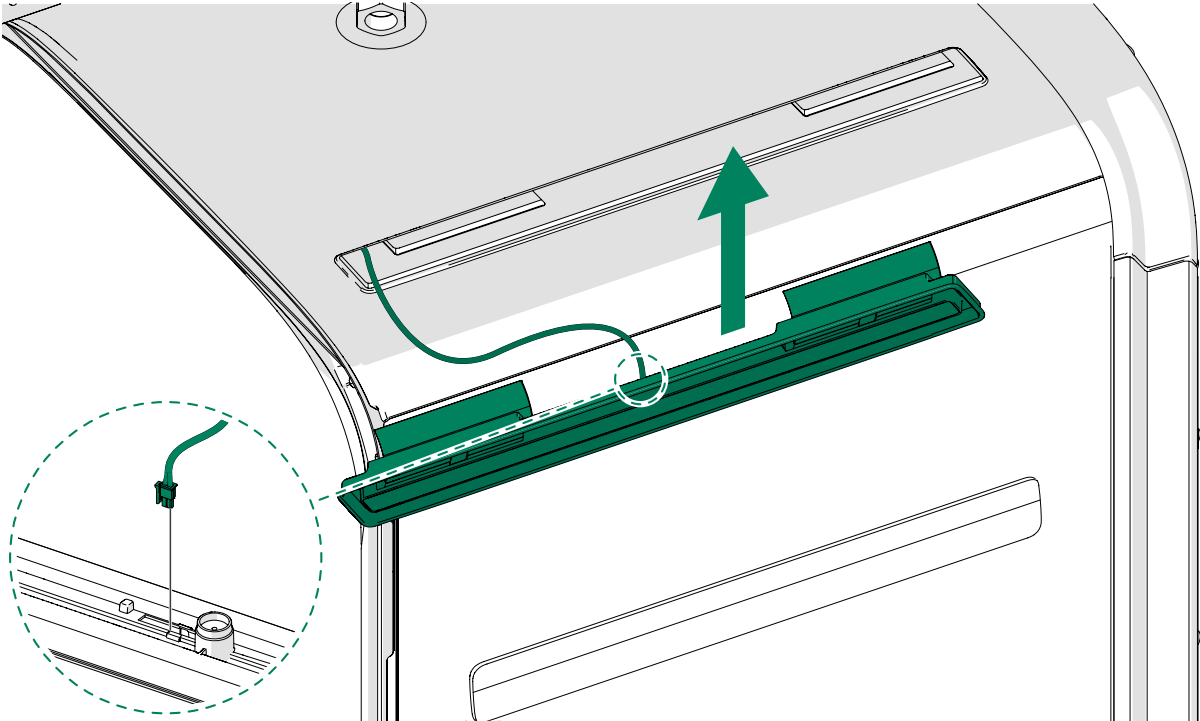
2.



3.



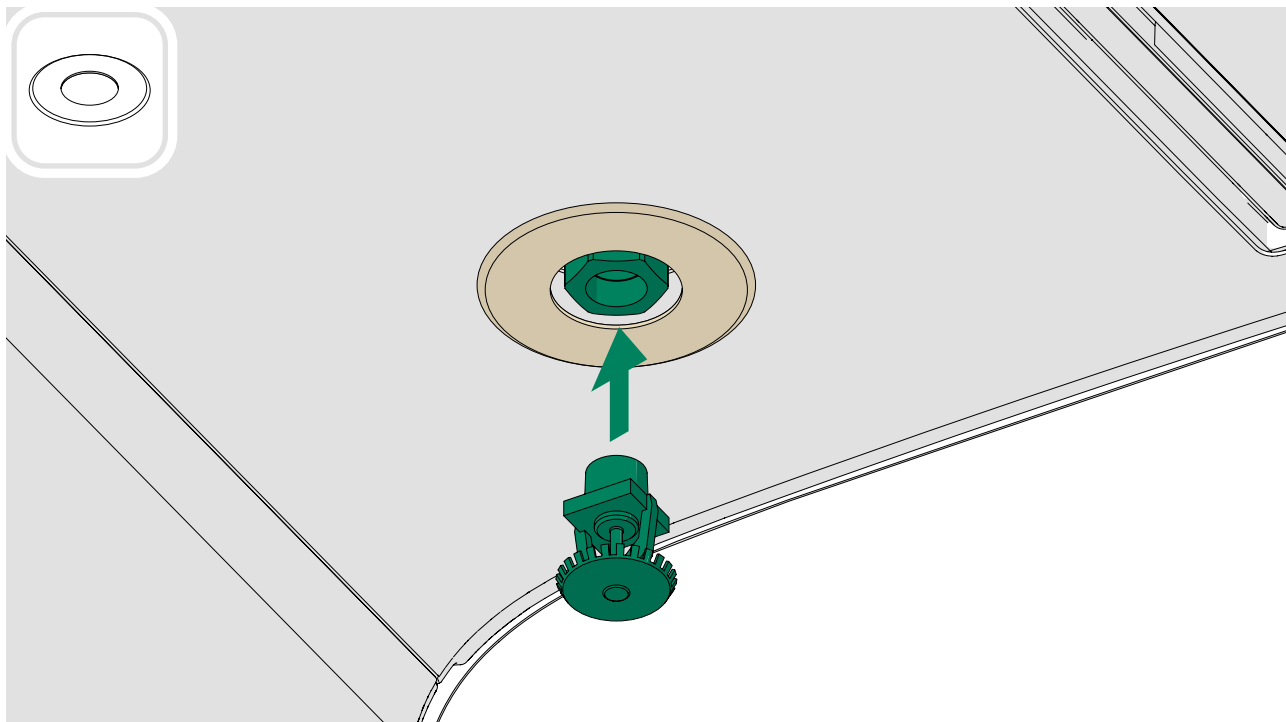
4.



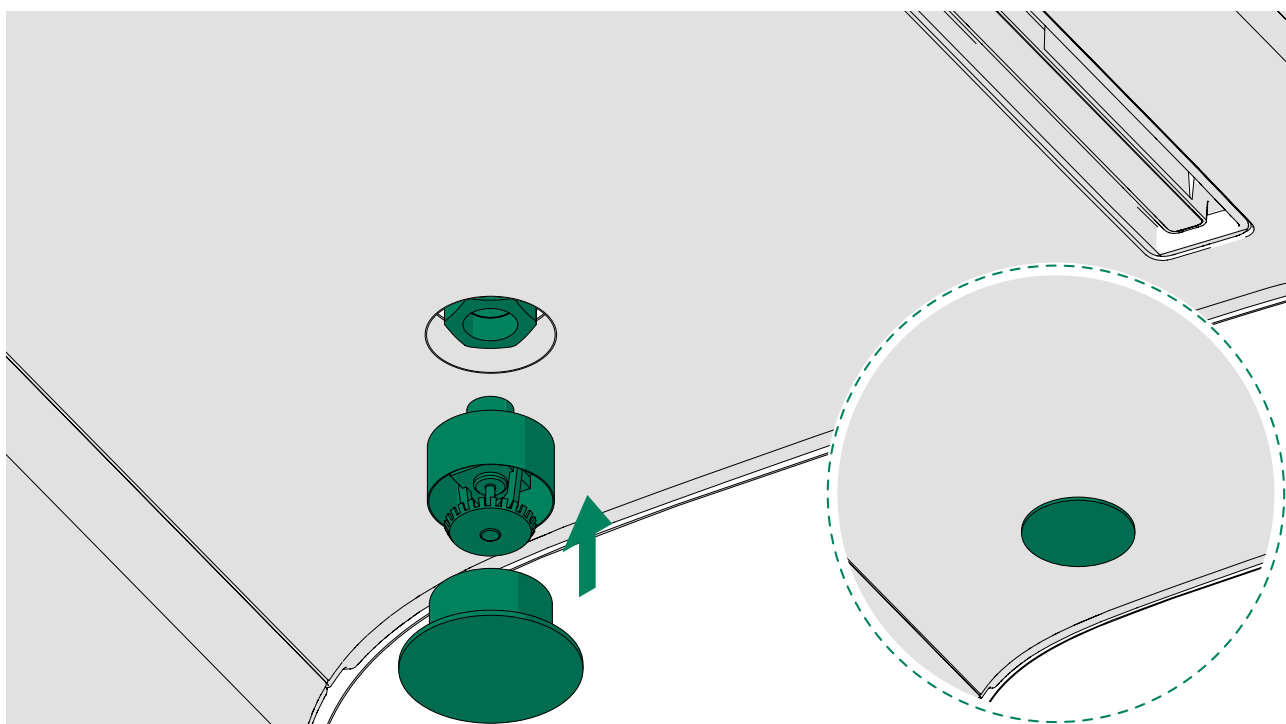
5. Attach the sprinkler head to the sprinkler hose inside the pod.

⚠ **Note:** The sprinkler line/head can only be installed by a qualified professional.

- For Pendent sprinkler head: Attach an escutcheon (trim ring).



- For concealed (recessed) sprinkler head: Attach cover plate assembly.



**framery**

Framery One Compact

Fire safety

Patamäenkatu 7

33900 Tampere

FINLAND

VAT: FI 23527139