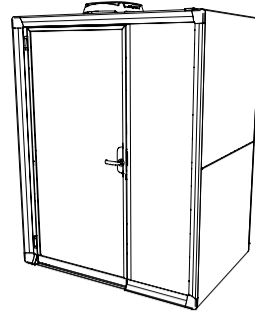


# Framery Gradus Work

## Quick Installation Guide

version A.1



INSTALLATION VIDEOS



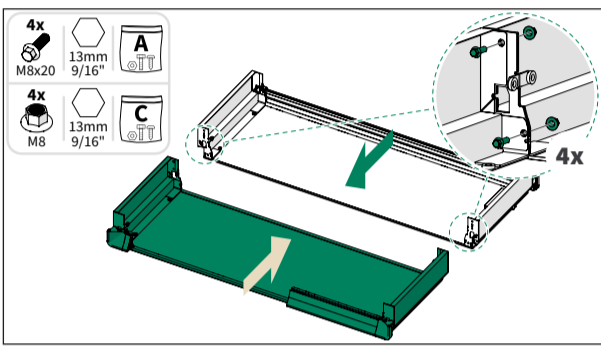
INSTALLATION INSTRUCTIONS

SCREWS AND BOLTS ARE IN THE FASTENERS AND ACCESSORIES 1 BOX.

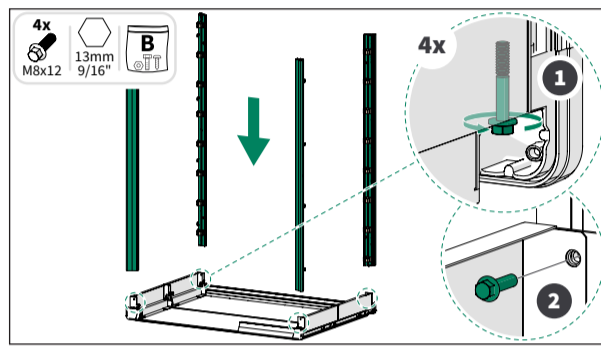
INSTALLATION STEPS MARKED WITH THIS SYMBOL ARE OPTIONAL.

### 1. CHASSIS

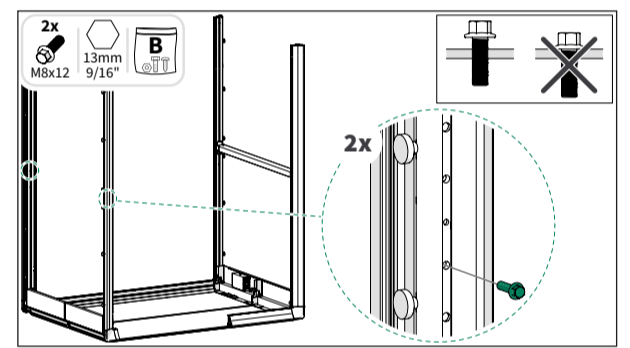
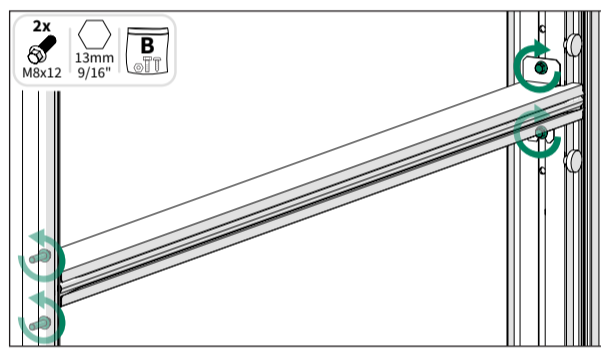
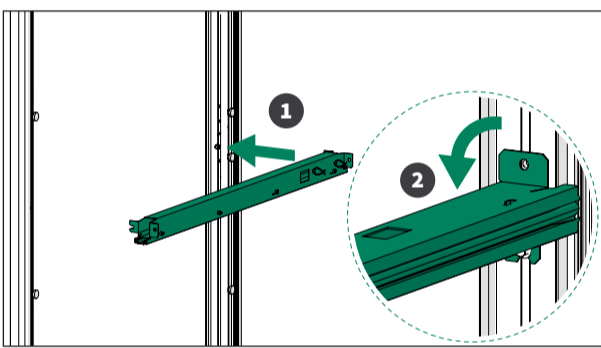
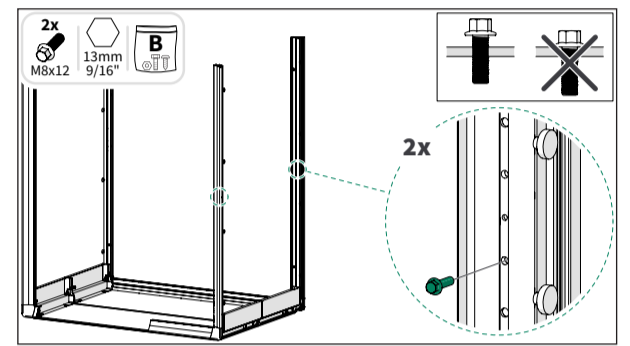
#### 1.1 Floor modules



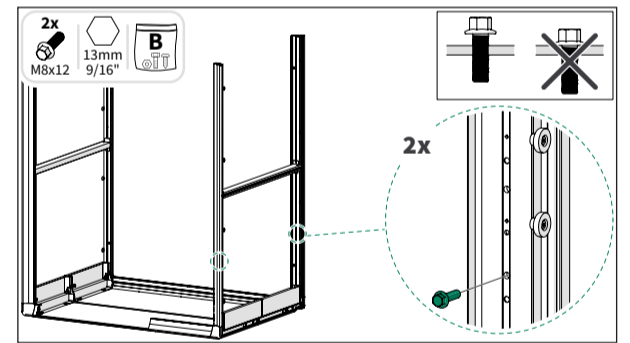
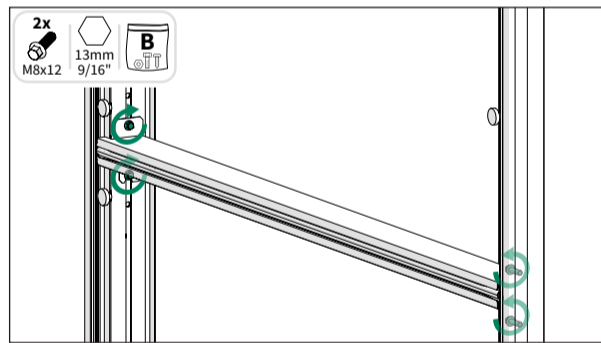
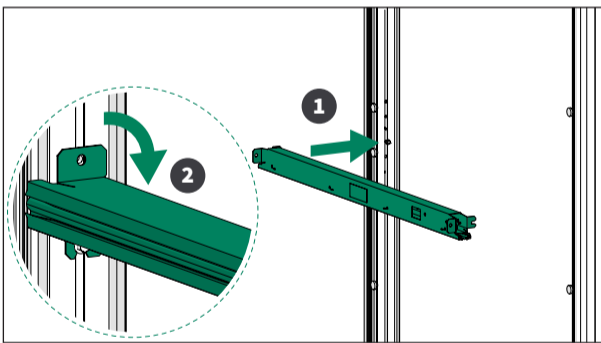
#### 1.2 Vertical frames



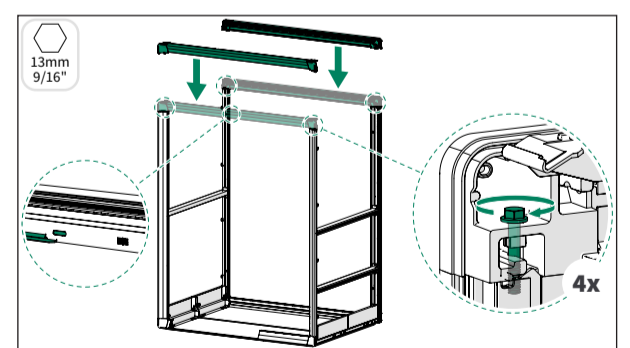
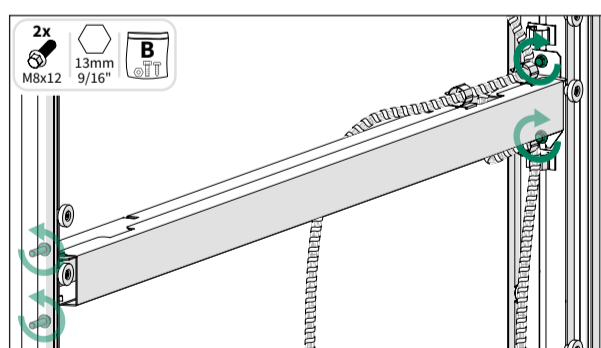
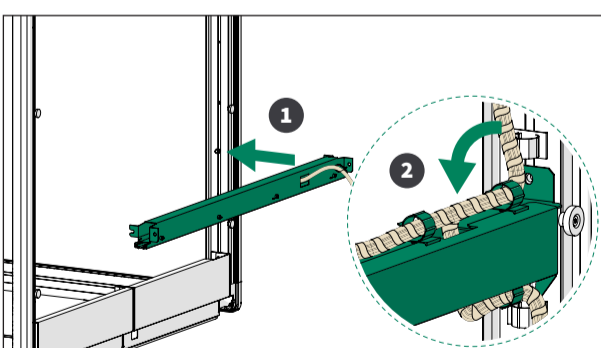
#### 1.3 Wall supports



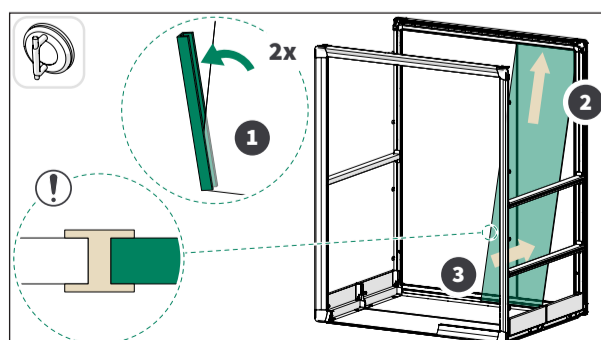
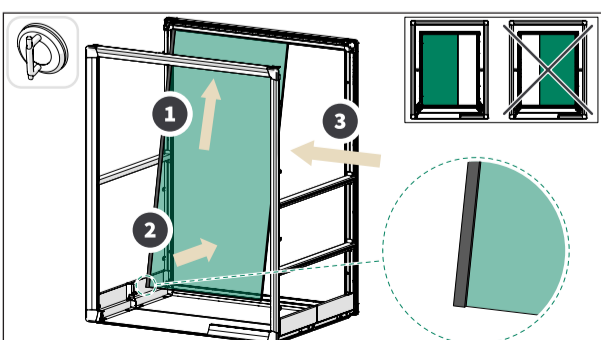
#### Wall support, lower



#### 1.4 Horizontal Frames

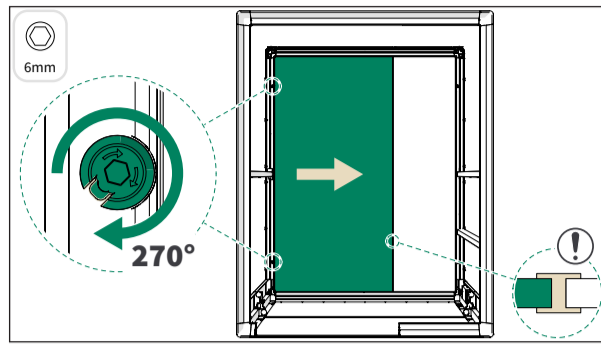
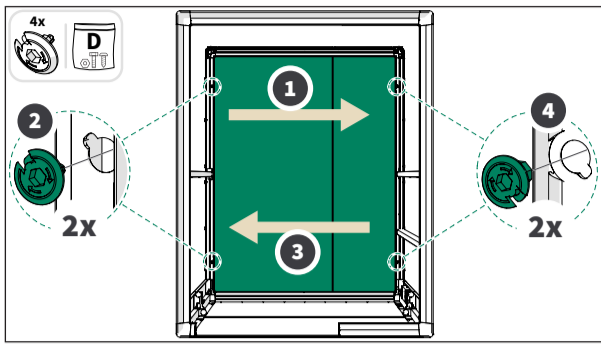


#### 1.5 Back glasses

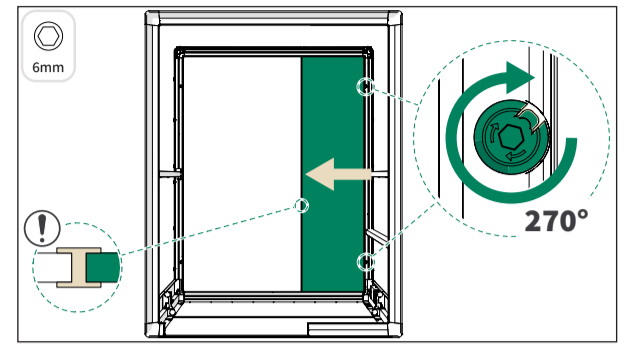


# 1. CHASSIS

Tighten the screws of the back glass wall

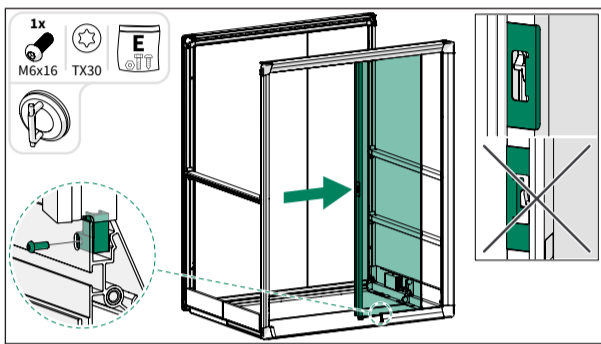


⚠ Make sure that the glasses form a flat and even surface with no gaps or thresholds between the glasses.

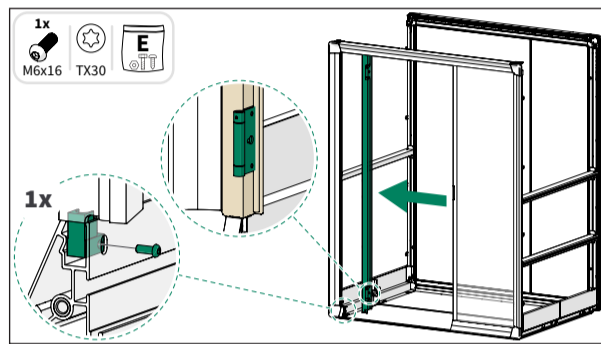


⚠ Make sure that the glasses form a flat and even surface with no gaps or thresholds between the glasses.

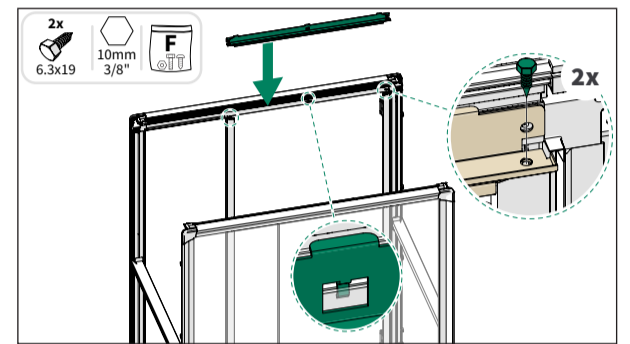
## 1.6 Front glass, handle side



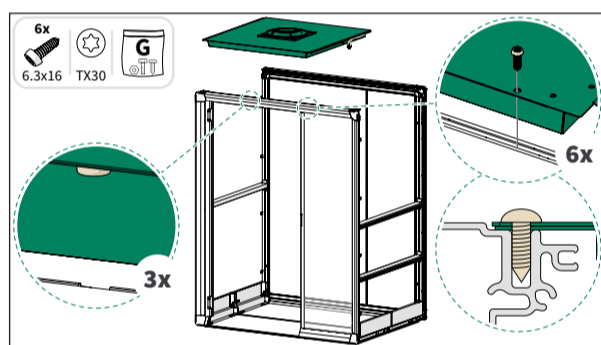
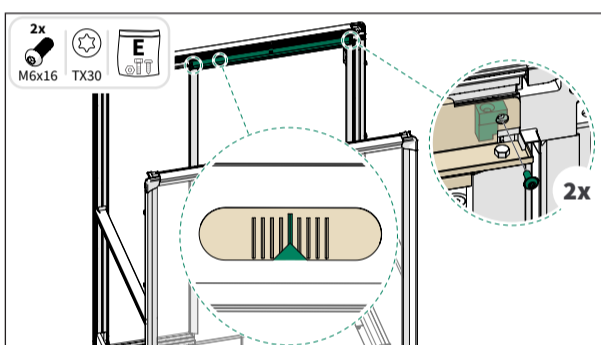
## Hinge frame



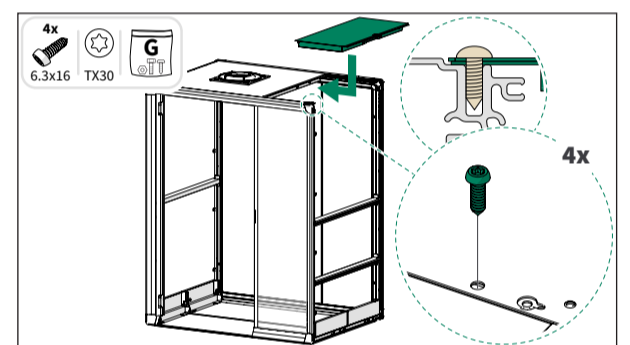
## 1.7 Ceiling threshold



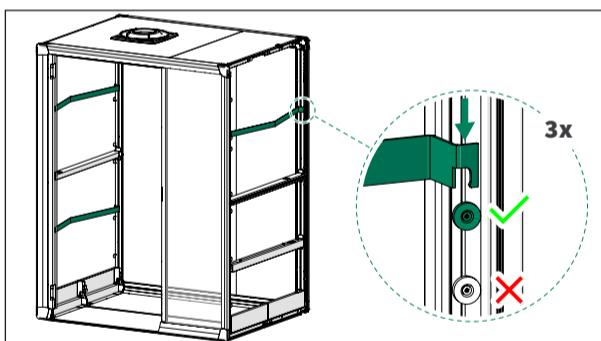
## 1.8 Inlet module



## 1.9 Outlet module

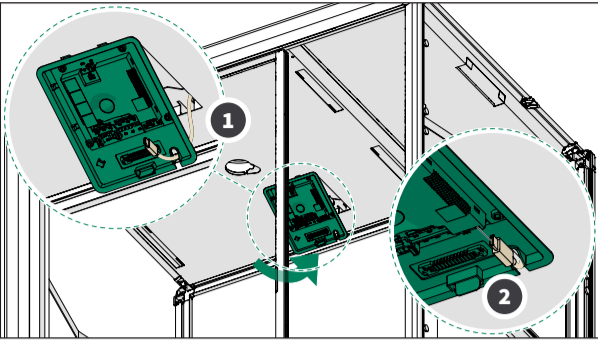


## Wall brackets

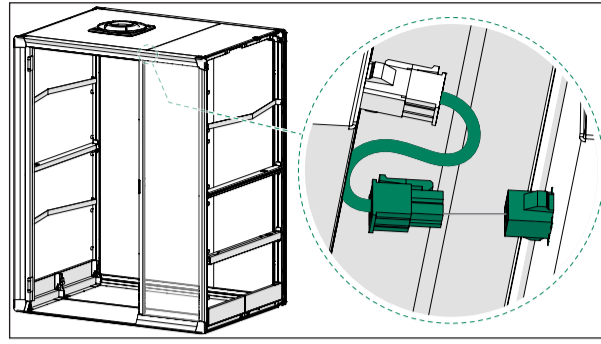


## 2. ELECTRICS

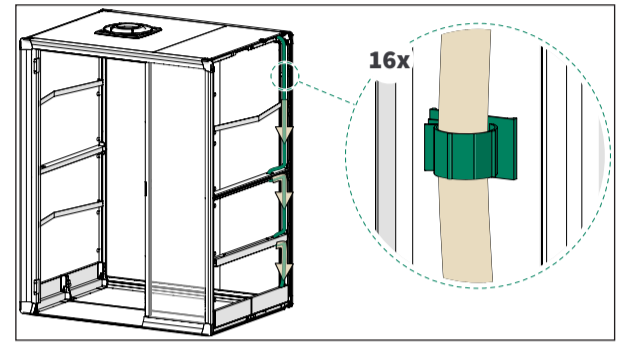
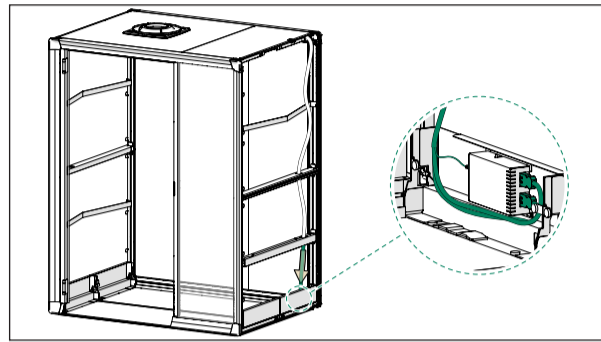
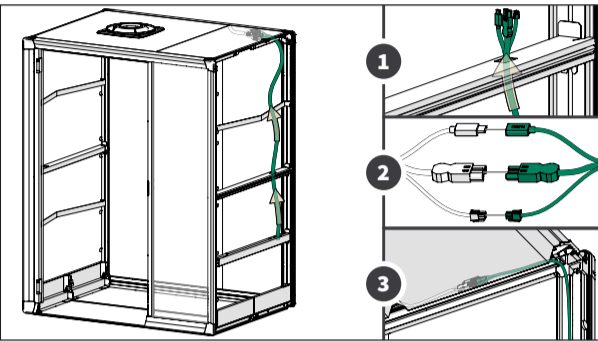
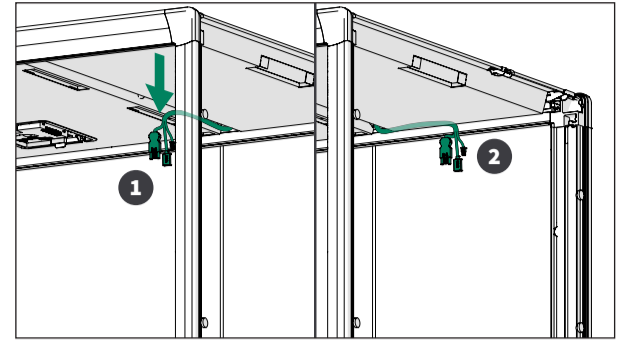
### 2.1 Core unit



### 2.2 Connect the modules

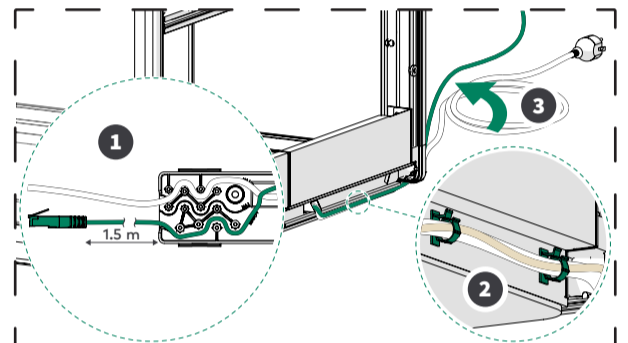
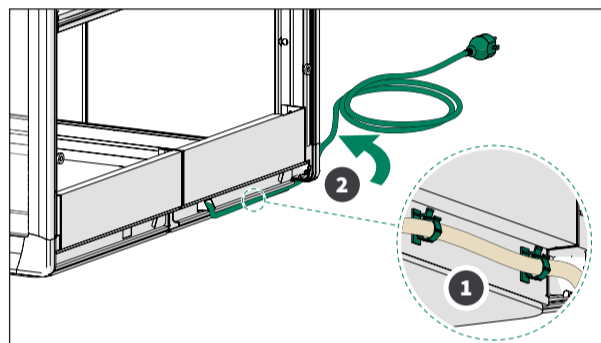
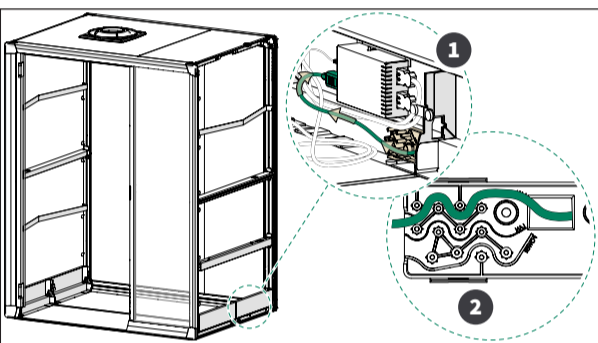


### 2.3 Wiring harness



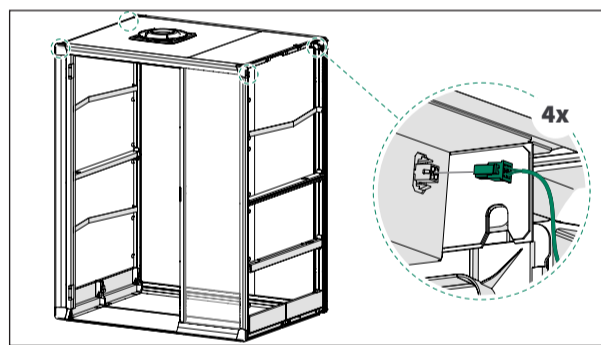
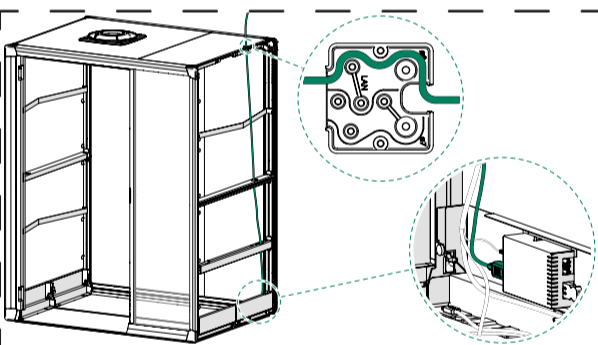
### 2.4 AC power cord

### + LAN, optional



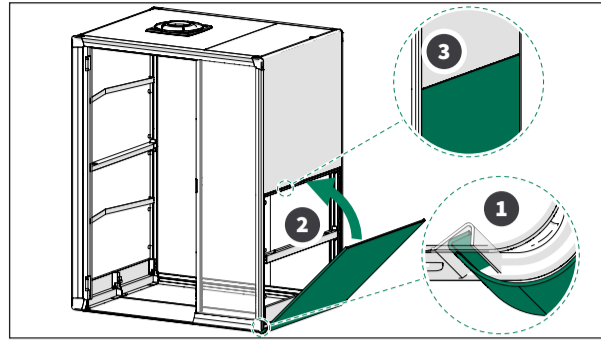
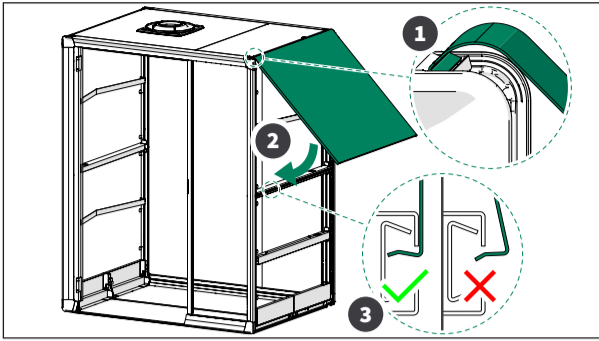
### + AC power cord roof, optional

### Occupancy lights



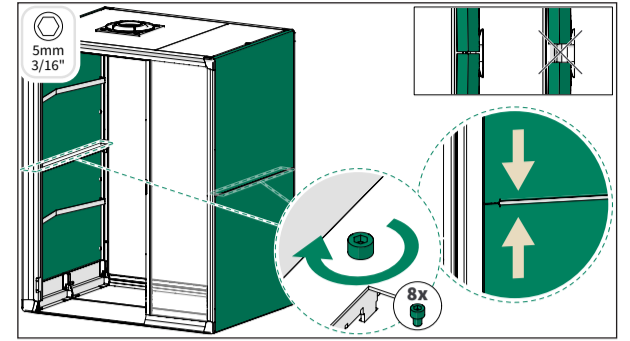
### 3. INSULATION & EXTERIOR

#### 3.1 Wall exterior panels



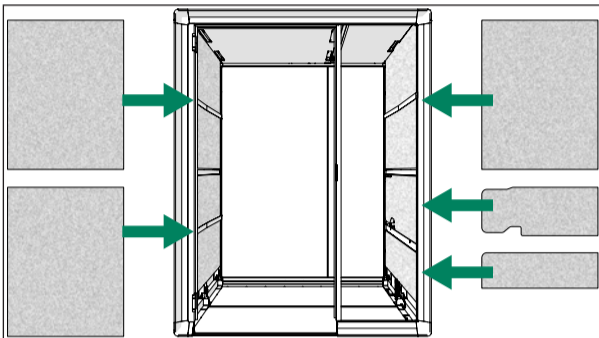
Repeat for the other wall.

#### Tighten the exterior panels



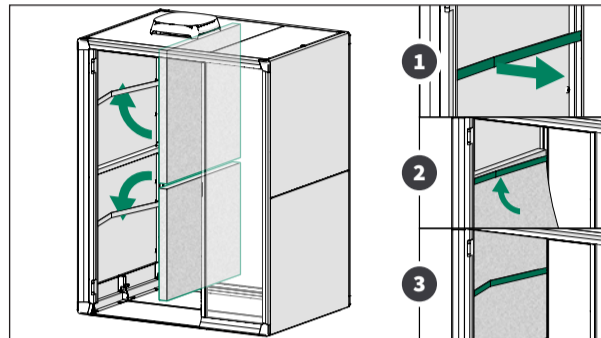
⚠ Check that the exterior panels are properly in place.

#### 3.2 Acoustic panels overview

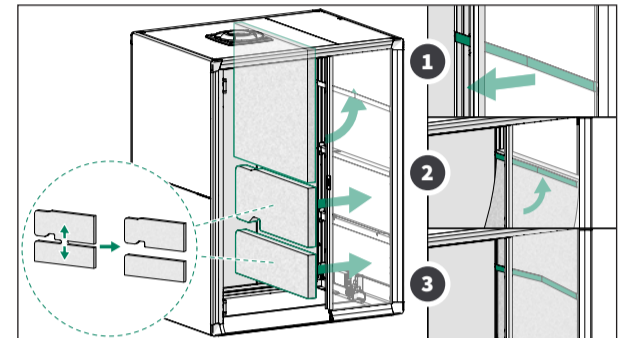


⚠ The acoustic panels are crucial for the pod soundproofing. Make sure that you install all of them (5 pcs).

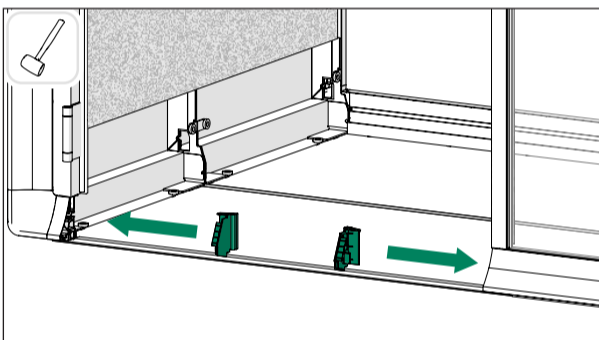
#### Back wall acoustic panels



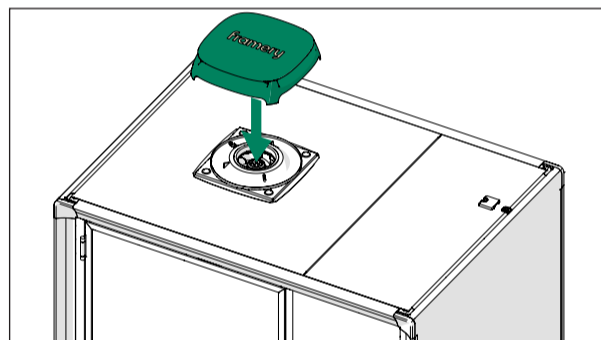
#### Table wall acoustic panels



#### End caps

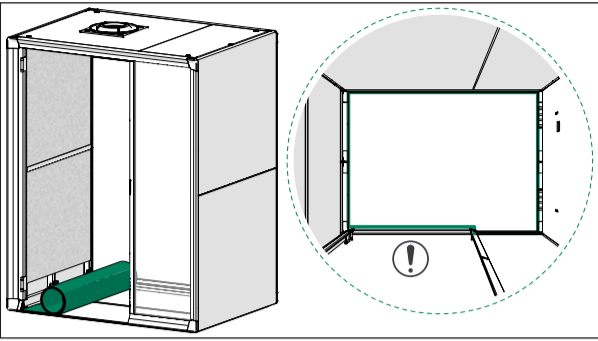


#### 3.3 Fan cover

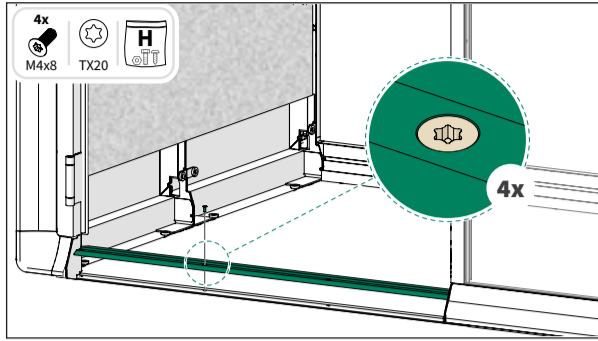


## 4. DOOR

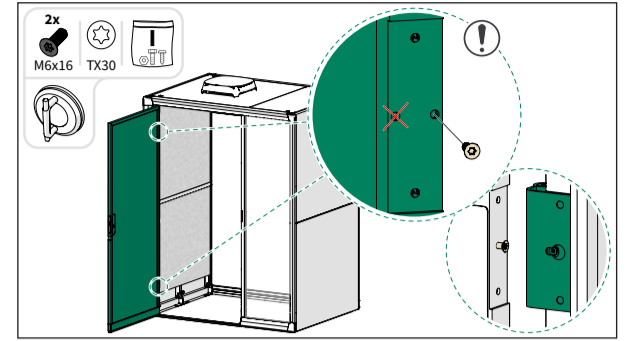
### 4.1 Carpet



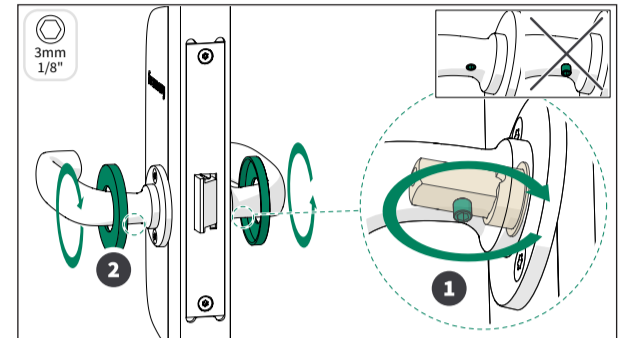
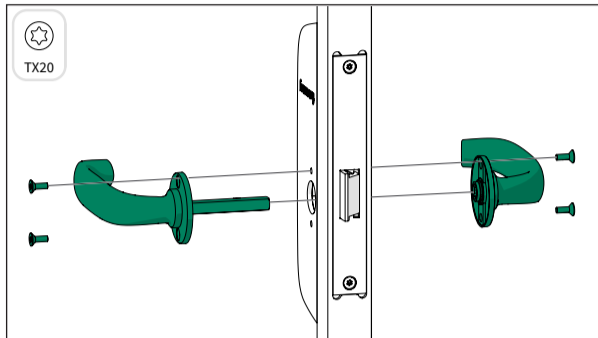
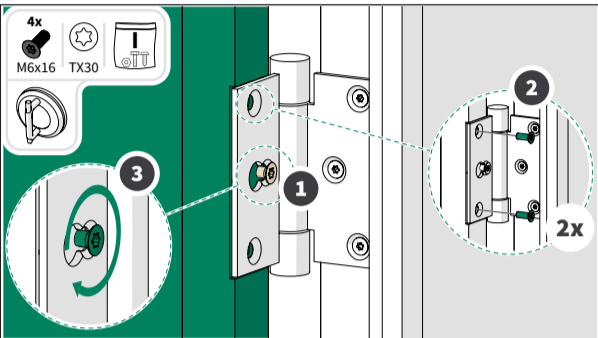
### 4.2 Threshold



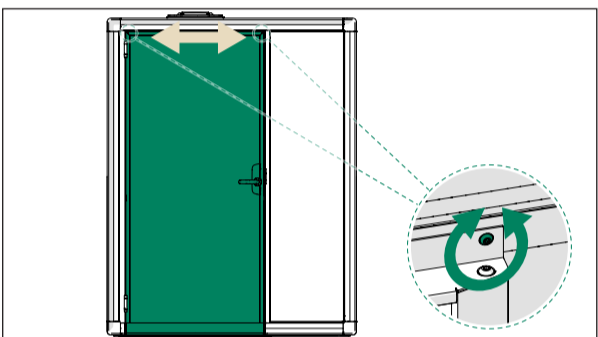
### 4.3 Door



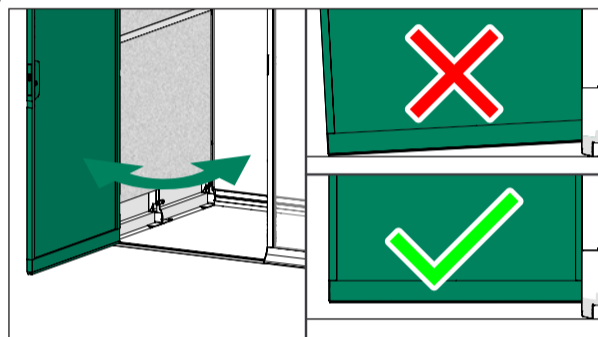
### 4.4 Door handle



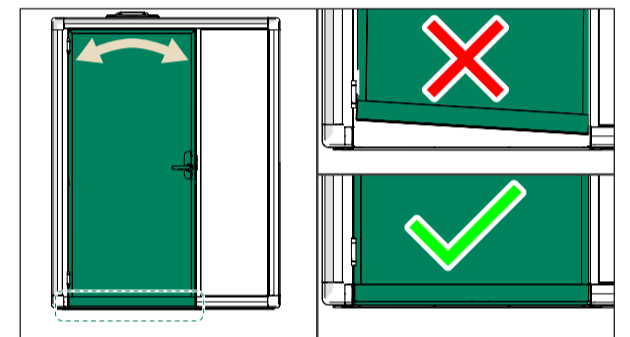
### Adjust the door



- ⚠ If the door does not close properly, loosen the threshold screws, adjust the door position and retighten the screws.

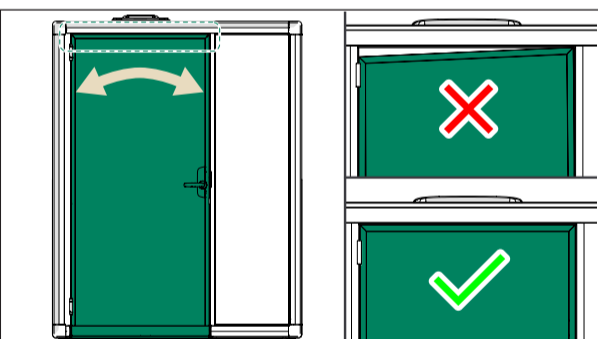


- ⚠ Open the the door and make sure that it does not scratch the floor.

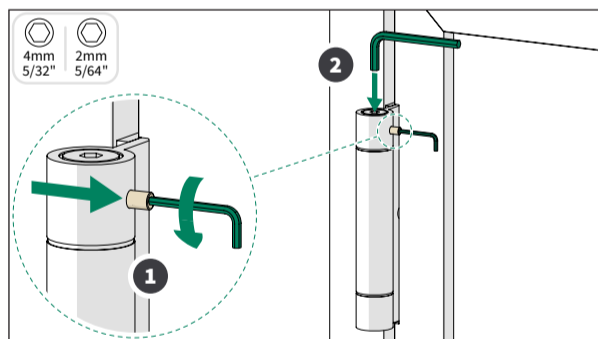


- ⚠ Open the door and make sure that it does not scratch the pod threshold.

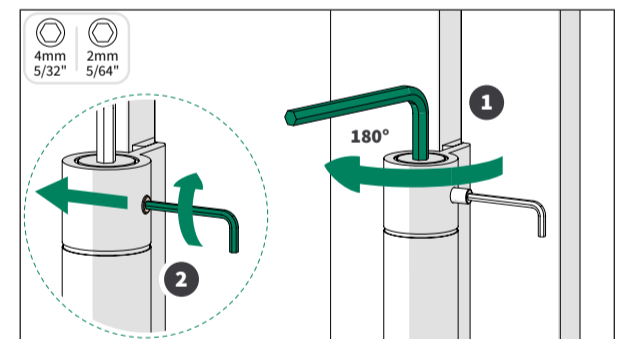
### Adjust the closing speed



- ⚠ Open the door and make sure that it does not scratch the upper frame.

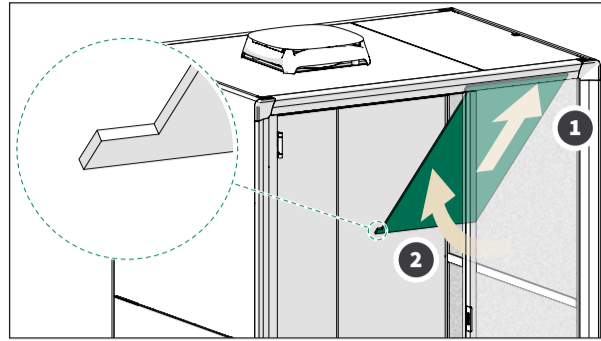
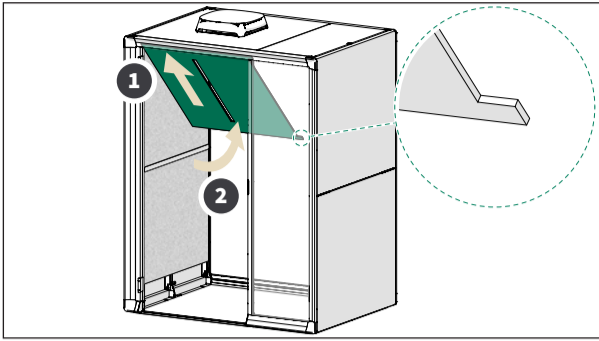


- ⚠ Make sure that you adjust both hinges to the same setting.

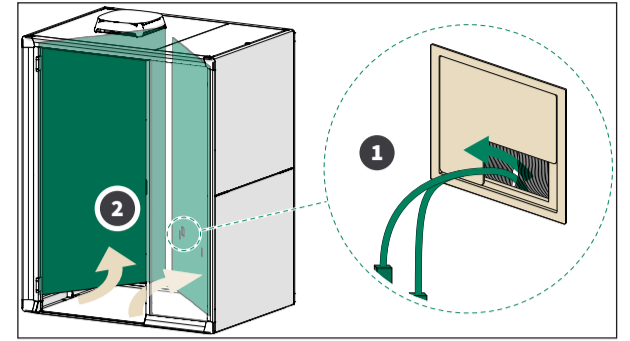


## 5. INTERIOR

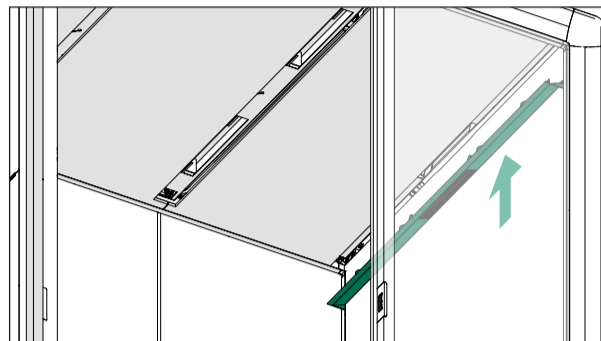
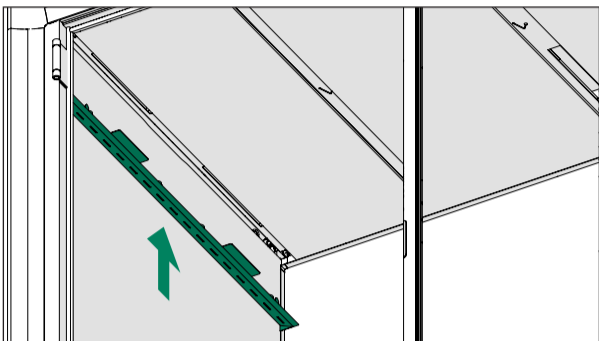
### 5.1 Ceiling interior panels



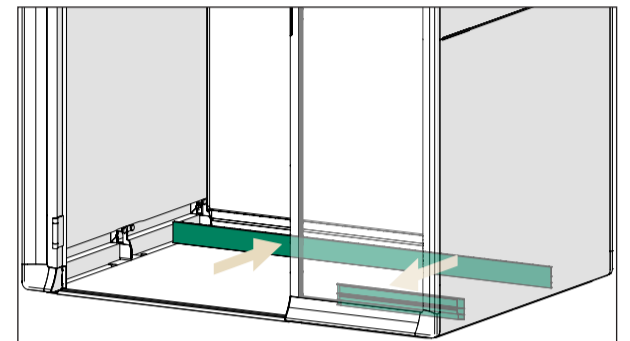
### 5.2 Wall interior panels



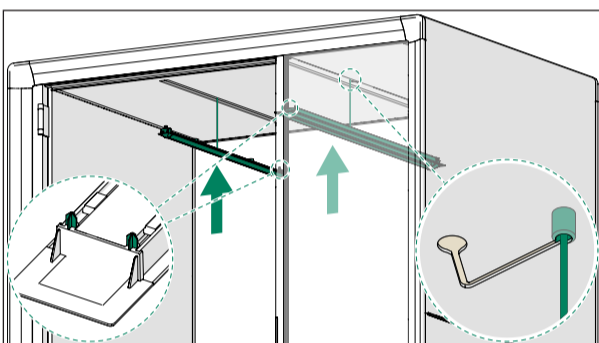
### 5.3 Air vents



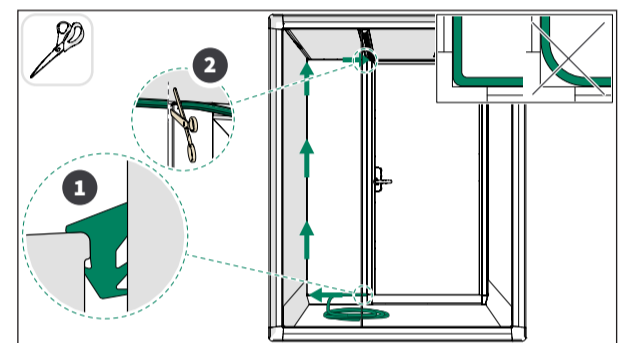
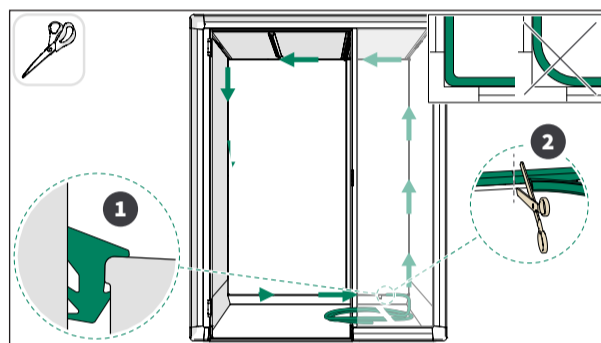
### 5.4 Cable channels



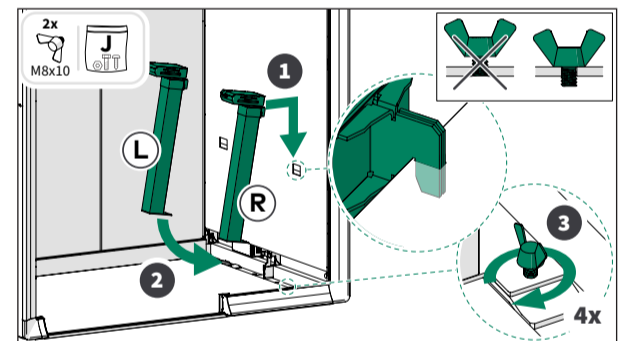
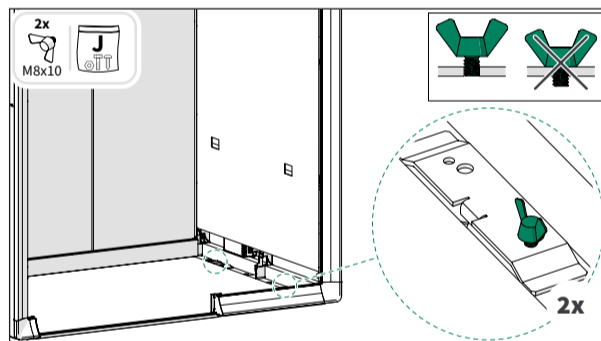
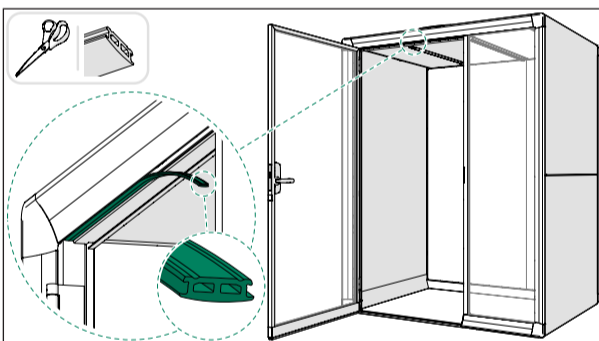
### 5.5 Ceiling lights



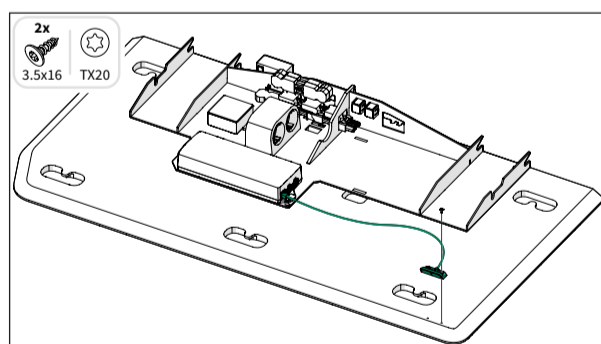
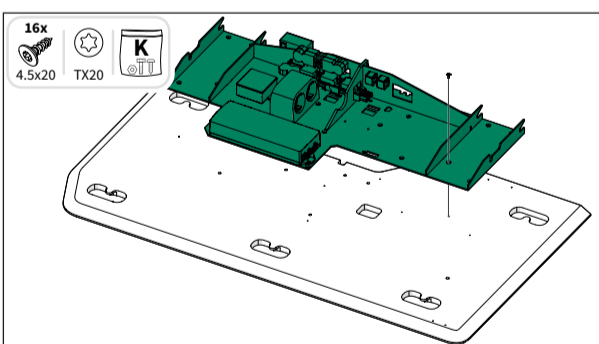
### 5.6 Gaskets



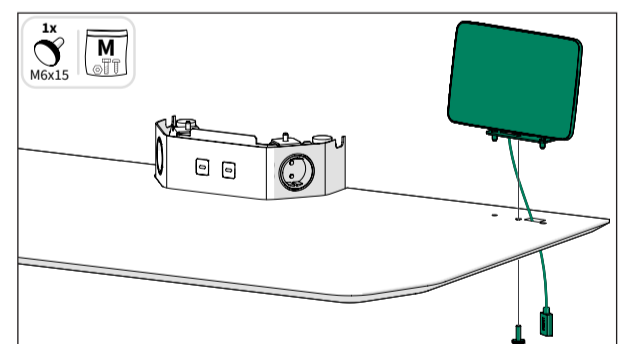
### 5.7 Table legs



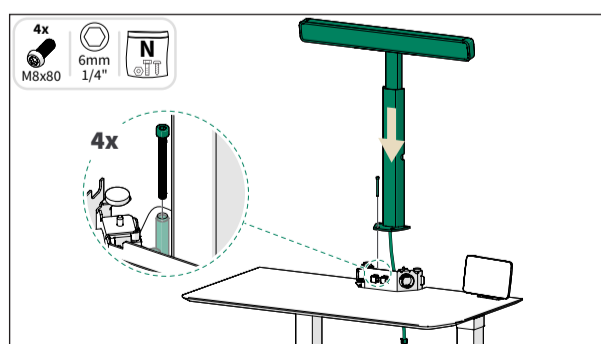
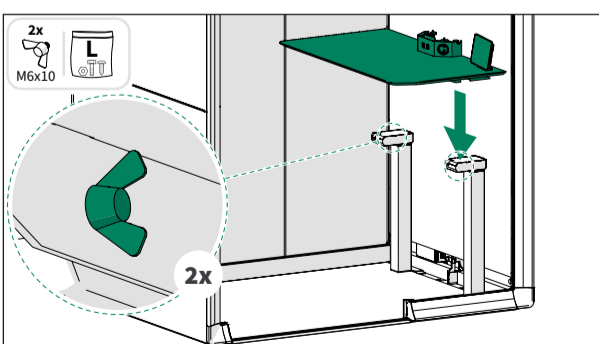
### Table chassis



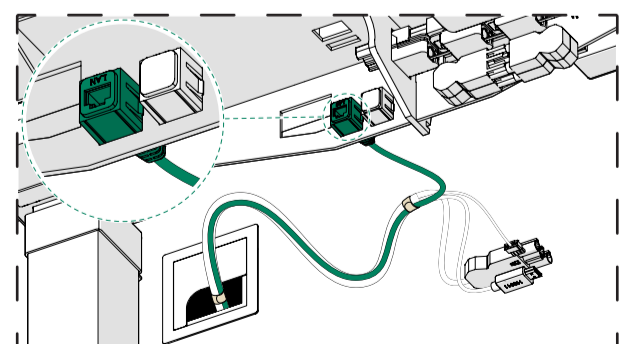
### Touchscreen



### Monitor pole



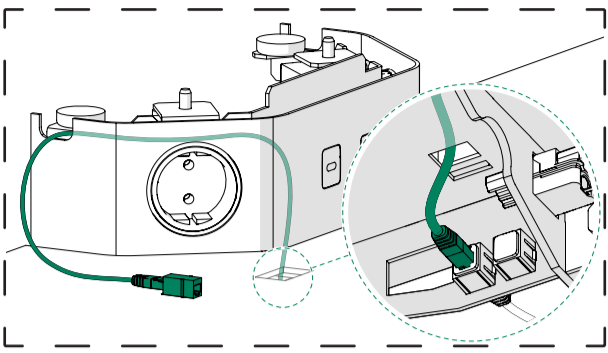
### LAN, optional



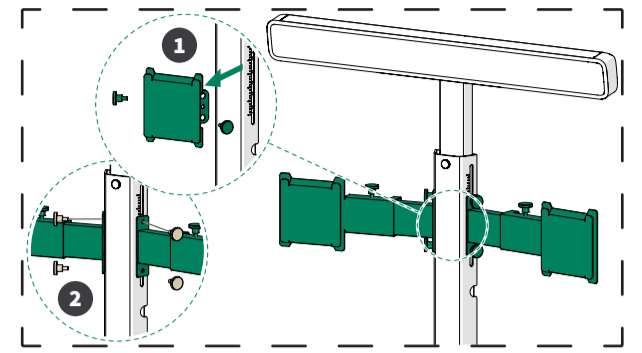
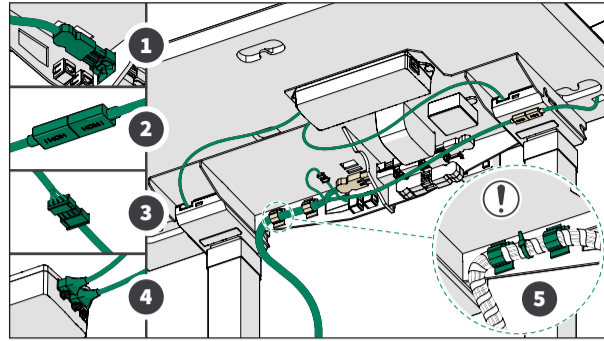
## 5. INTERIOR

### Connect the table electrics

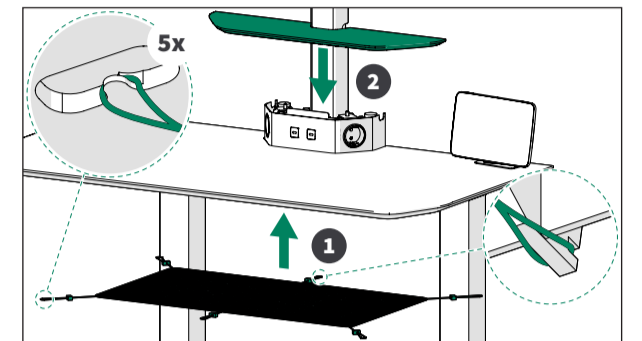
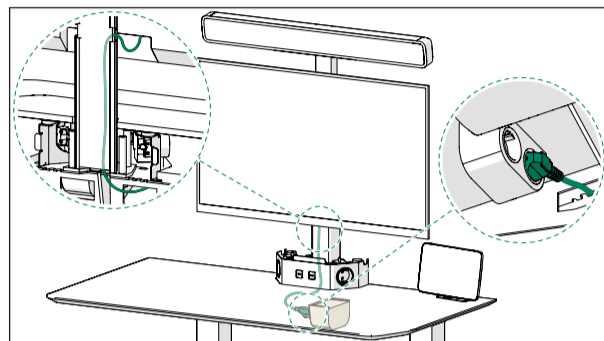
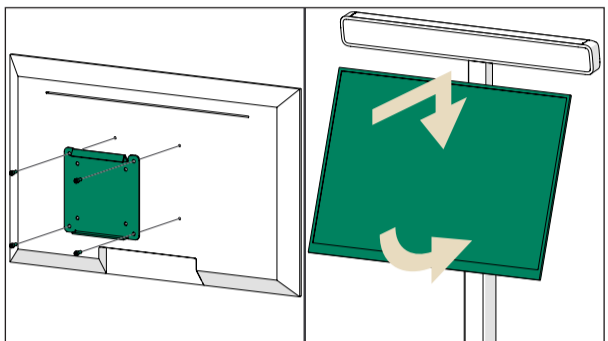
### + Two monitor holders, optional



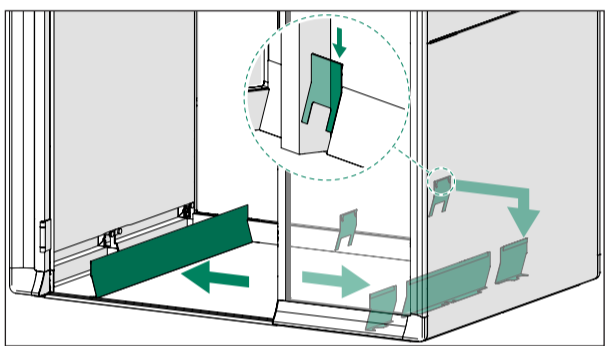
Monitor



Cable net

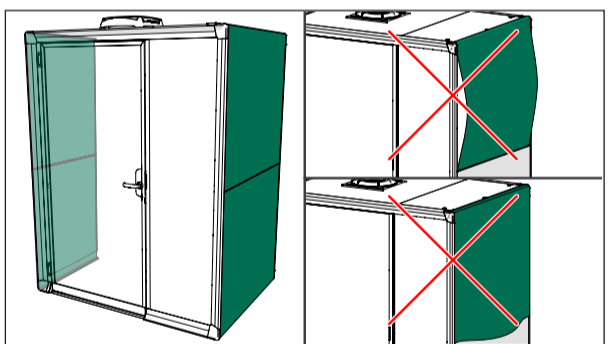


### 5.8 Kickboards



## Finalize the installation

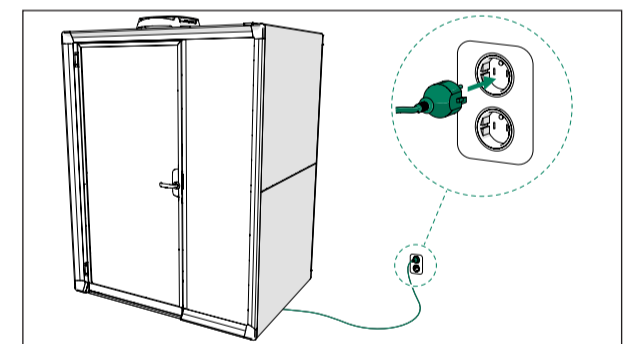
### Check the exterior panels



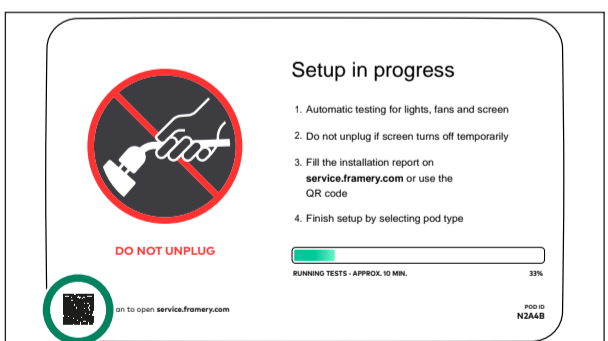
### Clean the pod



### Connect the power cord

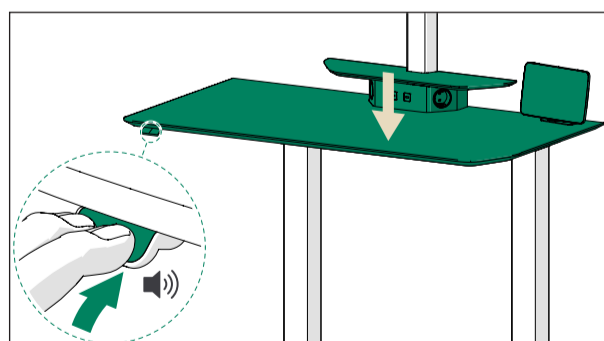


### Create an installation report



Scan the QR code to open the installation report.

### Reset the table



- ⚠ The table will move down during the setup procedure. Do not sit in the chair while performing the table setup.
- ⚠ Continuously press both buttons on the table handset until you hear an audible signal. When you hear the signal, the reset is completed and you can release the buttons.

### Privacy film

If the delivery includes a privacy film, leave it inside the pod for later installation.

