

Contents

| | |
|-------------------------------------------------------|-----------|
| Important safety and product instructions..... | 4 |
| Preface..... | 4 |
| Product information..... | 4 |
| Copyright..... | 4 |
| Manual contents..... | 4 |
| | |
| 1 Chassis..... | 5 |
| 1.1 Install the floor modules..... | 5 |
| 1.2 Install the vertical frames..... | 5 |
| 1.3 Install the wall supports..... | 6 |
| 1.4 Install the horizontal frames..... | 10 |
| 1.5 Install the back glasses..... | 10 |
| Tighten the screws of the back glass wall..... | 11 |
| 1.6 Install the front glass and hinge frame..... | 13 |
| 1.7 Install the ceiling threshold..... | 14 |
| 1.8 Install the inlet module..... | 15 |
| 1.9 Install the outlet module..... | 15 |
| 1.10 Install the wall brackets..... | 16 |
| | |
| 2 Electrics..... | 17 |
| 2.1 Install the core unit..... | 17 |
| 2.2 Connect the modules..... | 17 |
| 2.3 Install the wiring harness..... | 18 |
| 2.4 Install the AC power cord..... | 20 |
| 2.5 Install the LAN cable (optional)..... | 21 |
| 2.6 Install the AC power cord (roof), optional..... | 21 |
| 2.7 Connect the occupancy lights..... | 22 |
| | |
| 3 Insulation and exterior..... | 23 |
| 3.1 Install the wall exterior panels..... | 23 |
| Tighten the exterior panels..... | 23 |
| 3.2 Install the acoustic panels..... | 24 |
| Install the end caps..... | 25 |
| 3.3 Install the fan cover..... | 26 |
| | |
| 4 Door..... | 27 |
| 4.1 Install the carpet..... | 27 |
| 4.2 Install the threshold..... | 27 |
| 4.3 Install the door..... | 28 |
| 4.4 Install the door handle..... | 29 |
| 4.5 Adjust the door..... | 30 |
| 4.6 Adjust the door closing speed..... | 31 |
| | |
| 5 Interior..... | 33 |

| | |
|------------------------------------------------|-----------|
| 5.1 Install the ceiling interior panels..... | 33 |
| 5.2 Install the wall interior panels..... | 33 |
| 5.3 Install the air vents..... | 34 |
| 5.4 Install the cable channels..... | 35 |
| 5.5 Install the ceiling lights..... | 35 |
| 5.6 Install the gaskets..... | 36 |
| 5.7 Install the table legs..... | 37 |
| Install the table chassis..... | 38 |
| Install the touchscreen..... | 39 |
| Install the table top..... | 40 |
| Install the monitor pole..... | 40 |
| Install the LAN cable and port (optional)..... | 41 |
| Connect the table electrics..... | 42 |
| Two monitor holders (optional)..... | 42 |
| Install the monitor..... | 43 |
| Install the cable net..... | 44 |
| 5.8 Install the kickboards..... | 44 |
| 6 Finalize the installation..... | 46 |
| 7 Reset the table..... | 49 |

Important safety and product instructions

Preface

This instruction manual describes the installation of the product. Everyone involved in installing the product must read and understand the contents of the installation and safety instructions.

This instruction manual gives you necessary information for the correct installation of the product.

For complete product and safety instructions, see **help.framery.com**.

Product information

The information in this manual corresponds to the product at the time of delivery. All information included in this manual is valid at the time of publication.

Copyright

This document must not be copied, presented, or delivered to a third party without explicit permission from Framery. The use of this document for any purpose other than those allowed by Framery is prohibited. Framery reserves the right to change the instructions related to the product without separate notice.

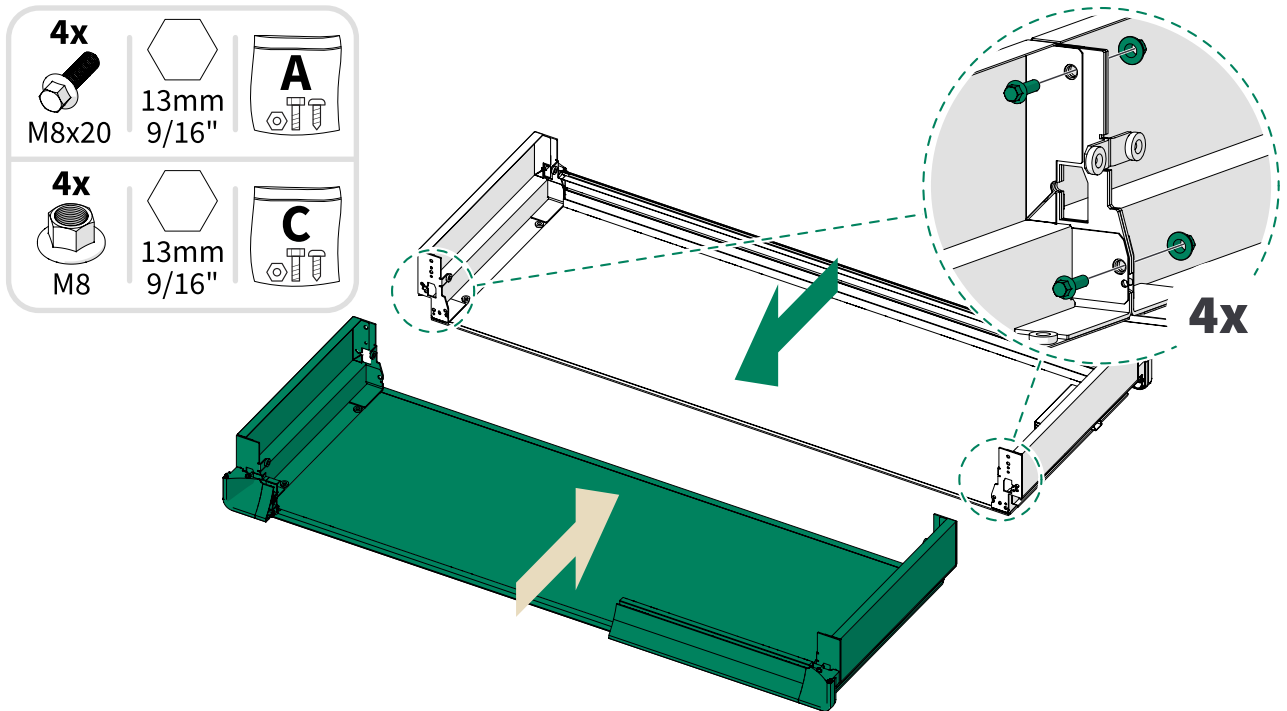
Manual contents

The installation instructions contain the following information:

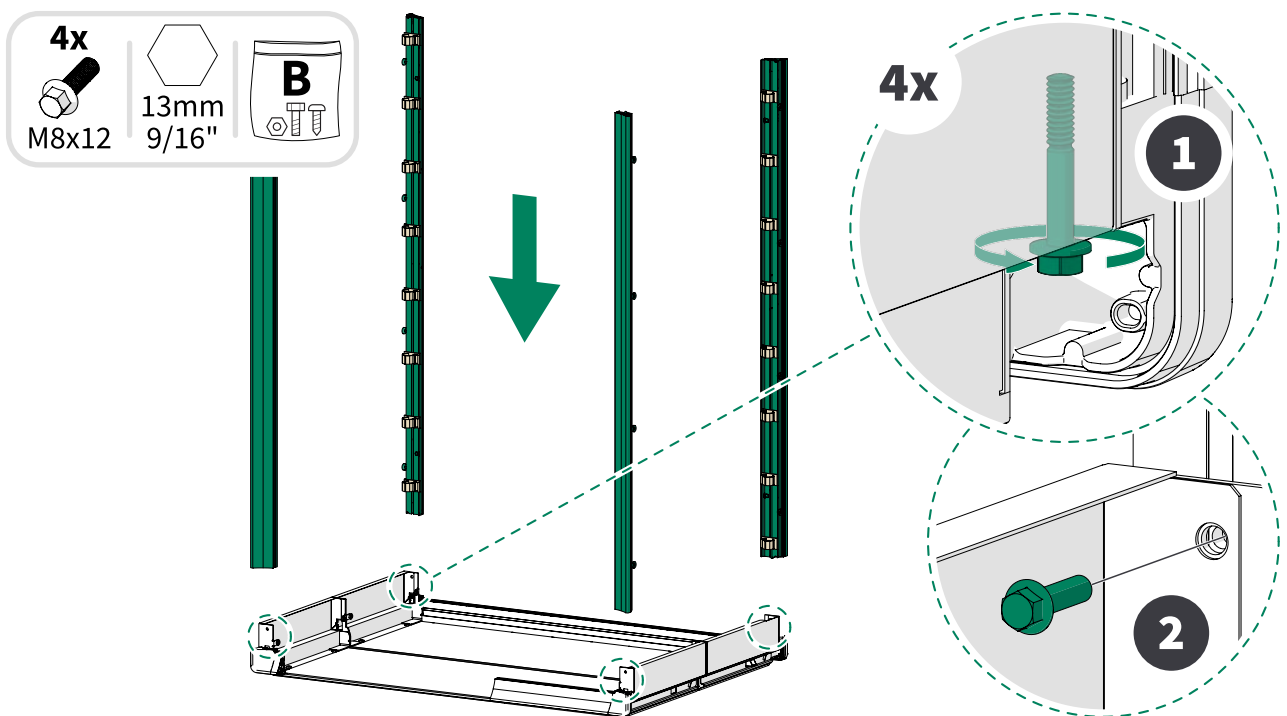
- General information about the purpose and content of the instructions
- Information related to safety
- Installation instructions

1 Chassis

1.1 Install the floor modules

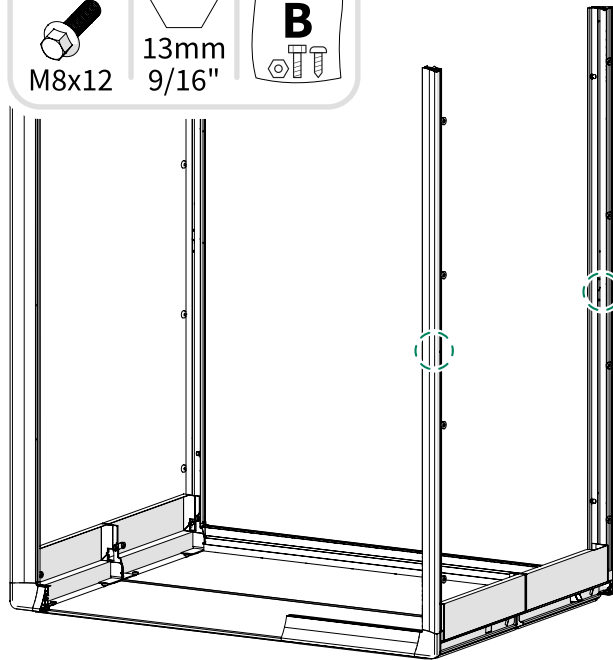
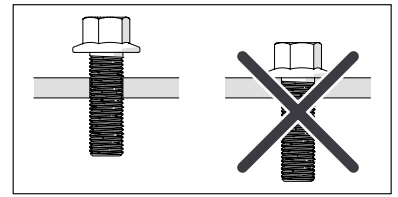
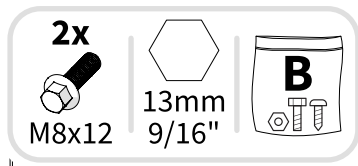


1.2 Install the vertical frames

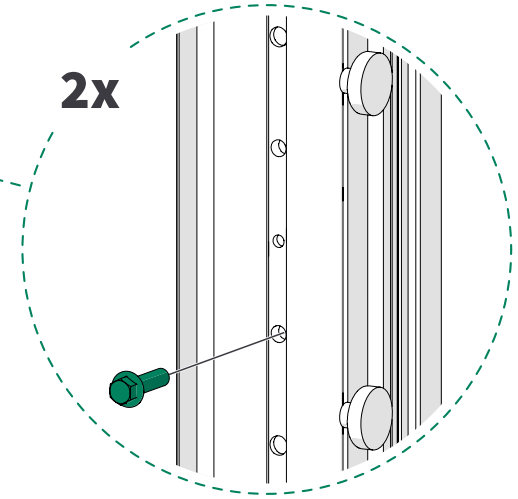


1.3 Install the wall supports

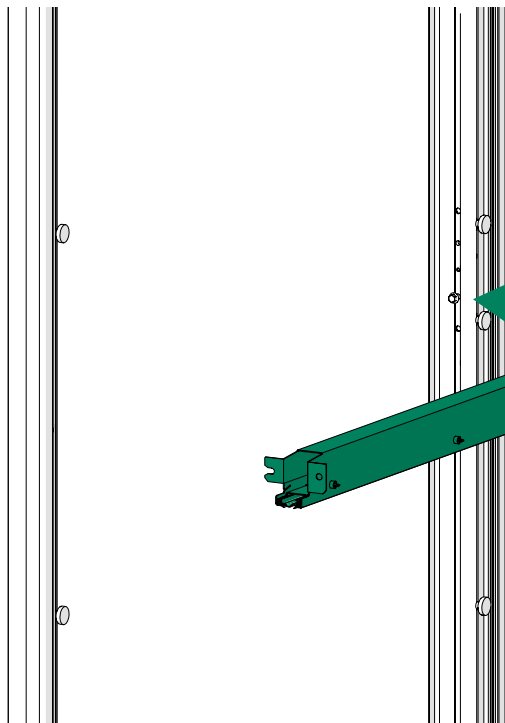
1.



2x

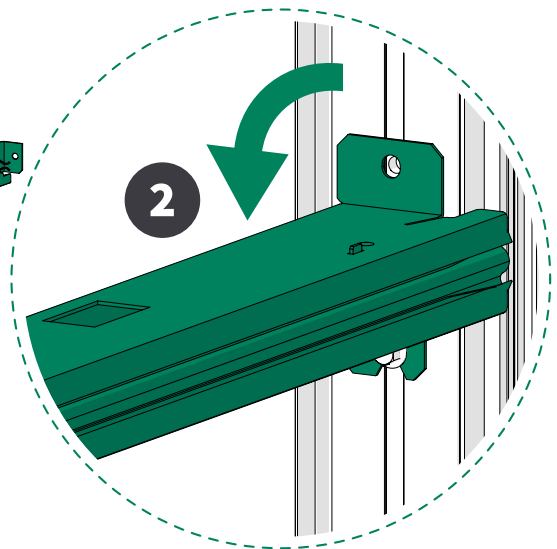


2.

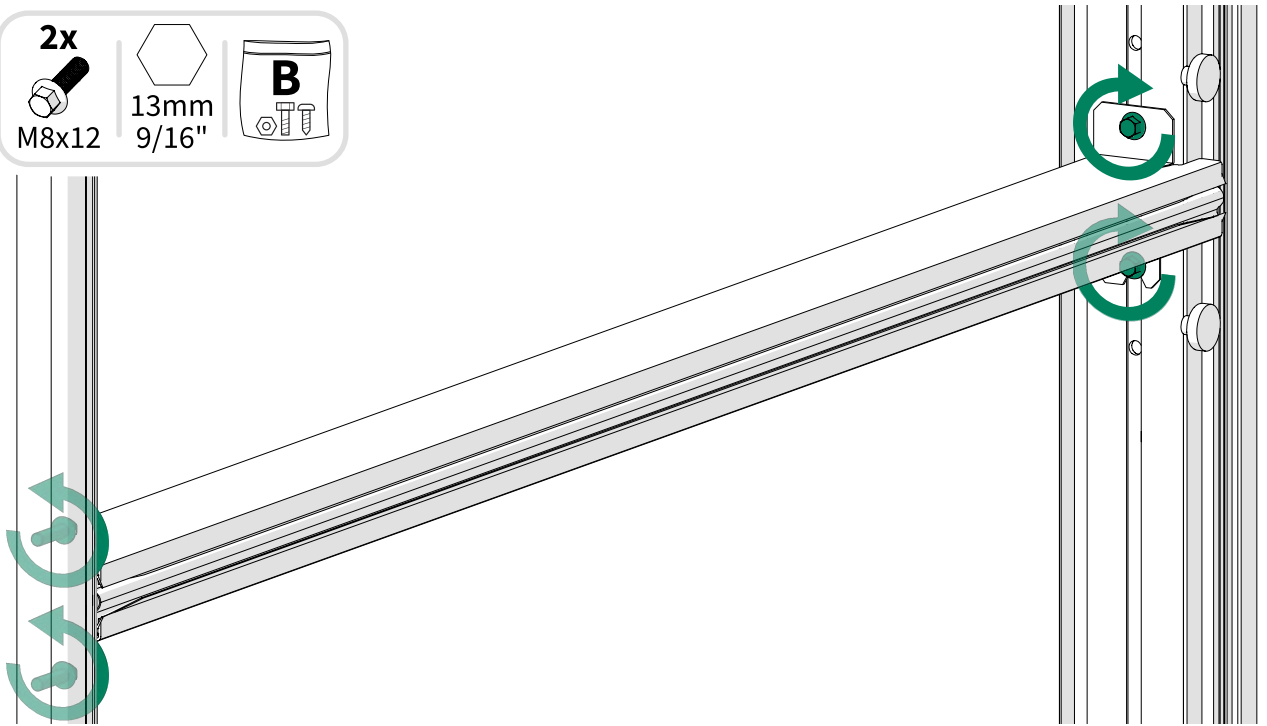


1

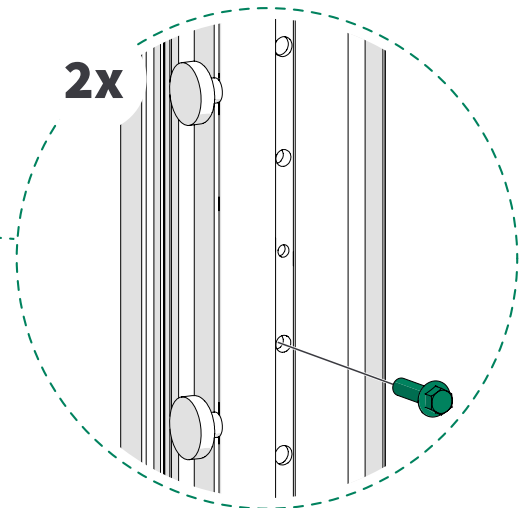
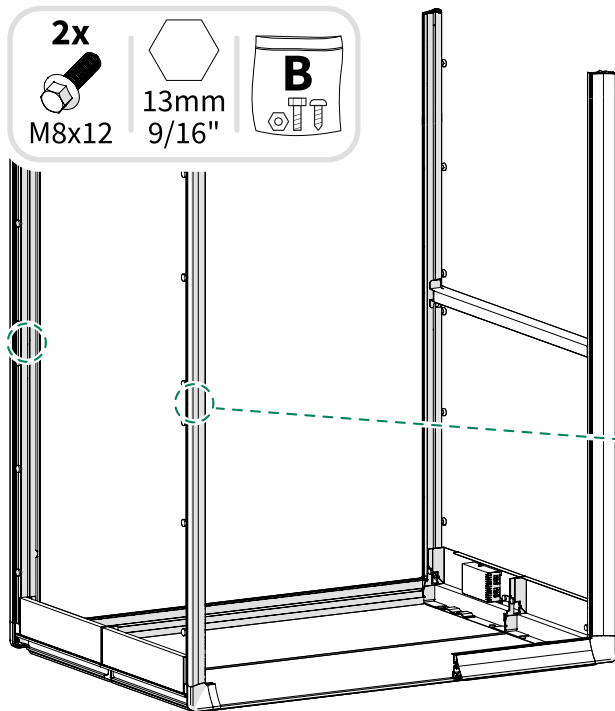
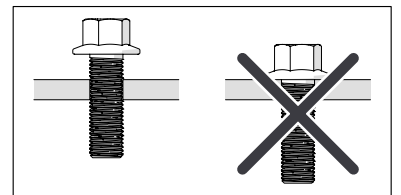
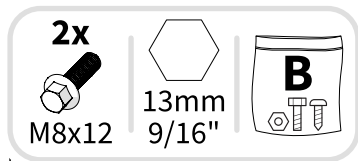
2



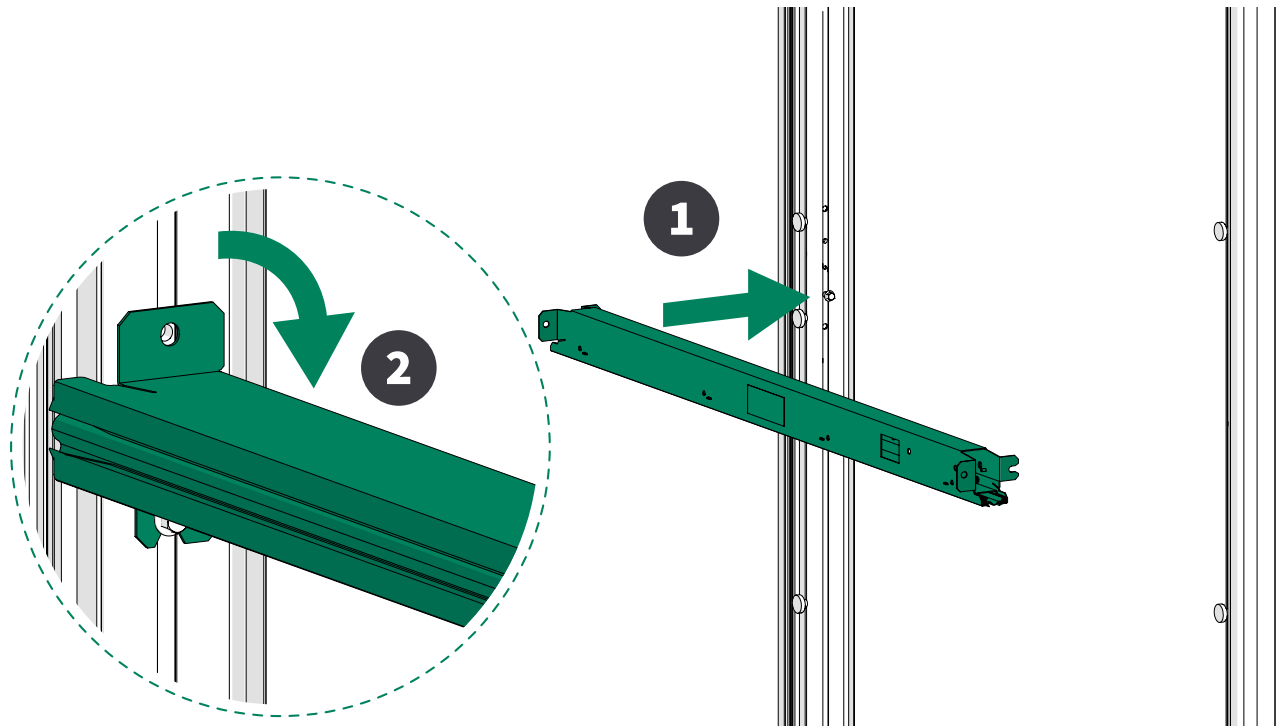
3.



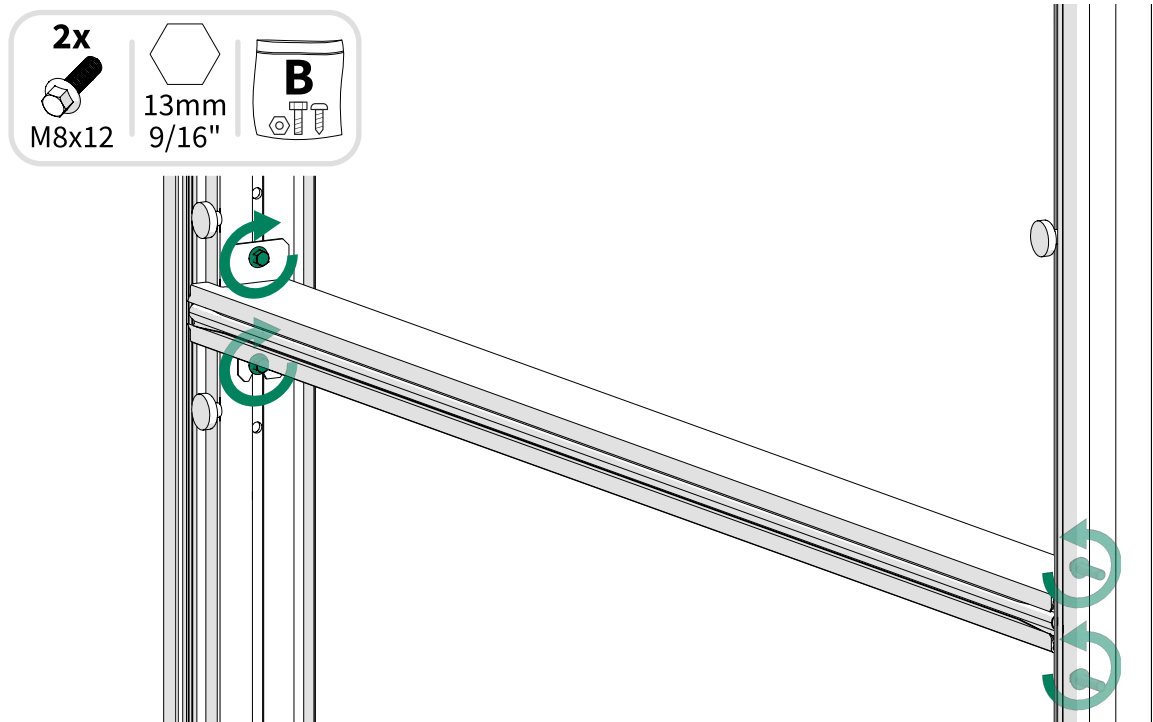
4.



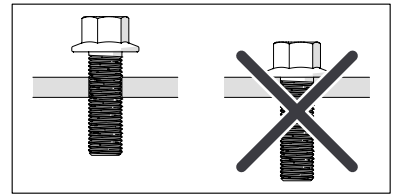
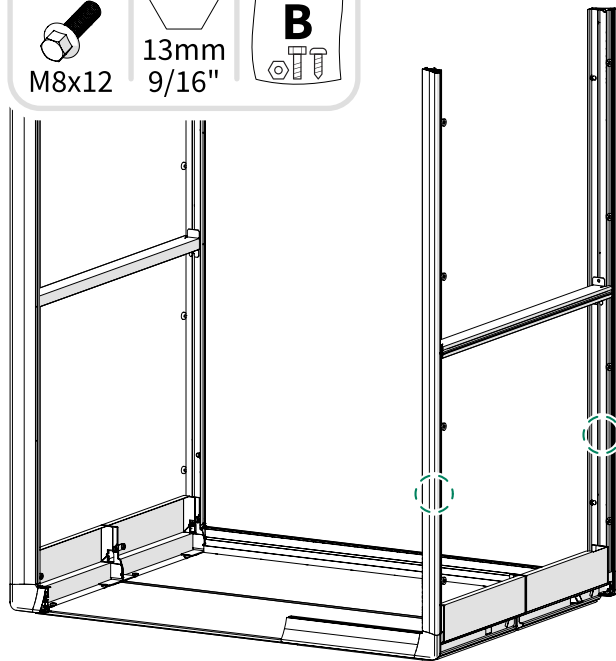
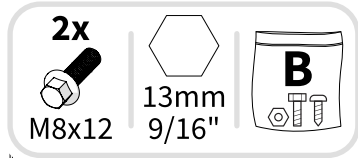
5.



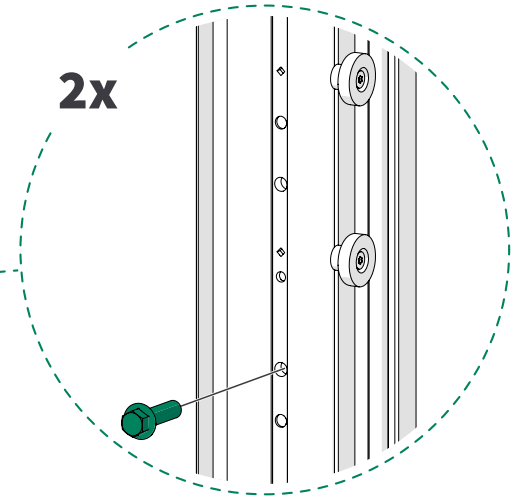
6.



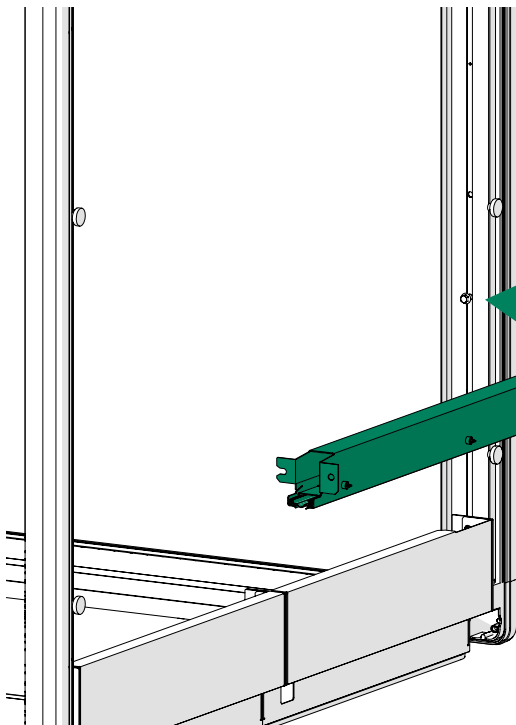
7.



2x

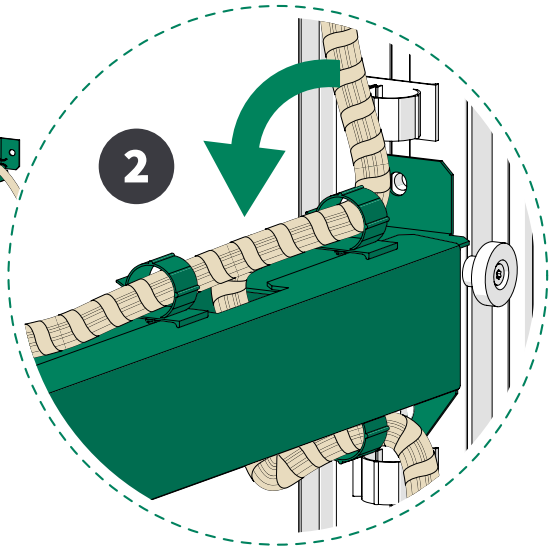


8.

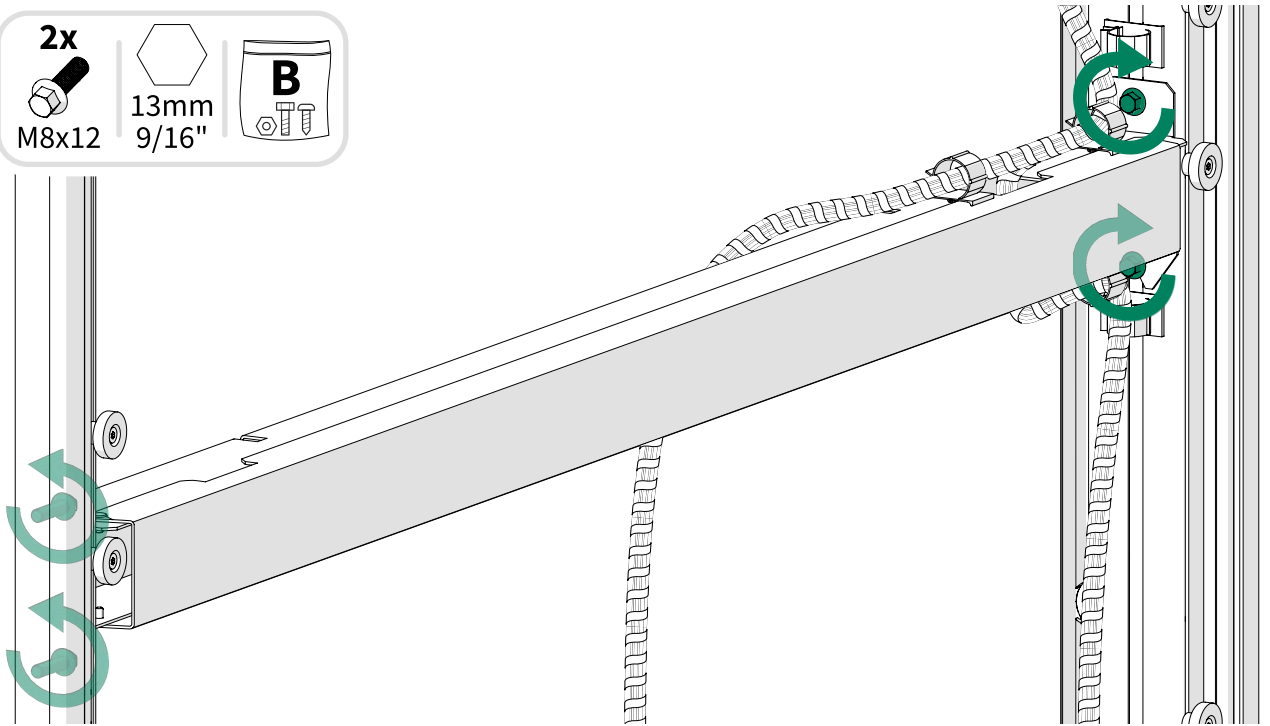
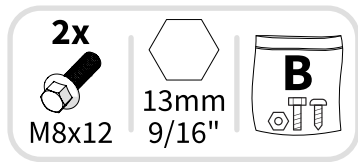


1

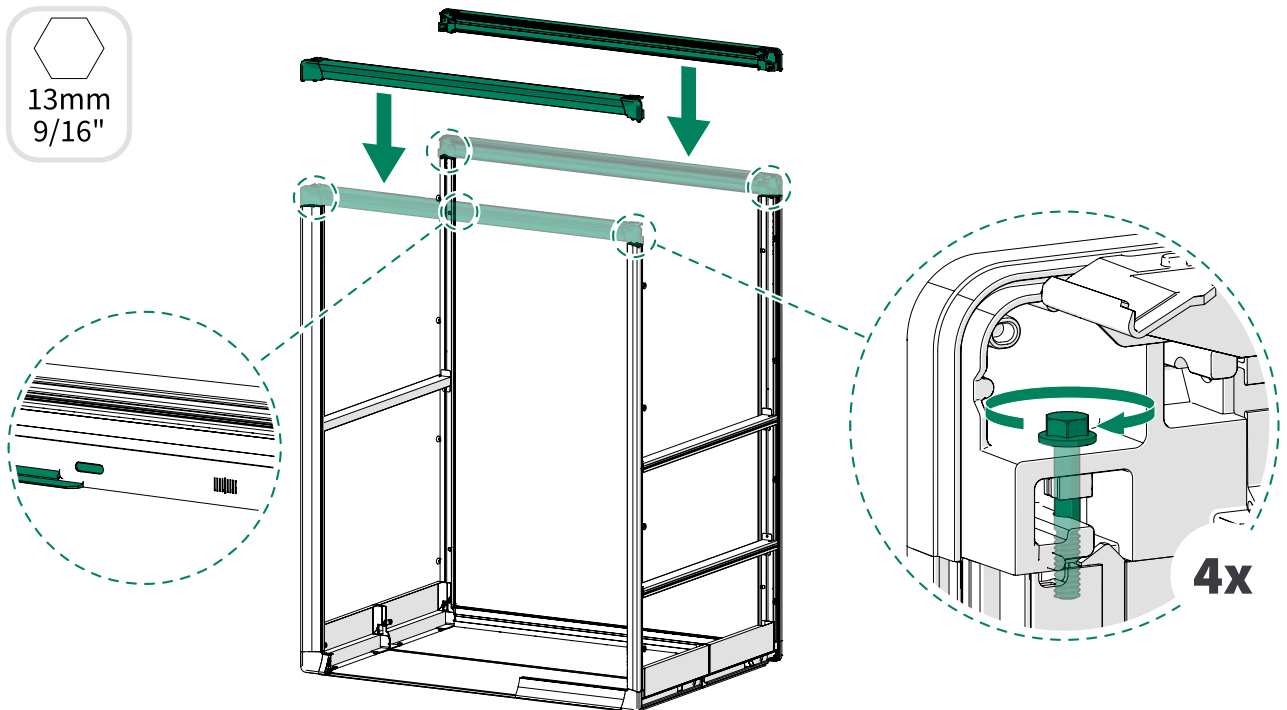
2



9.

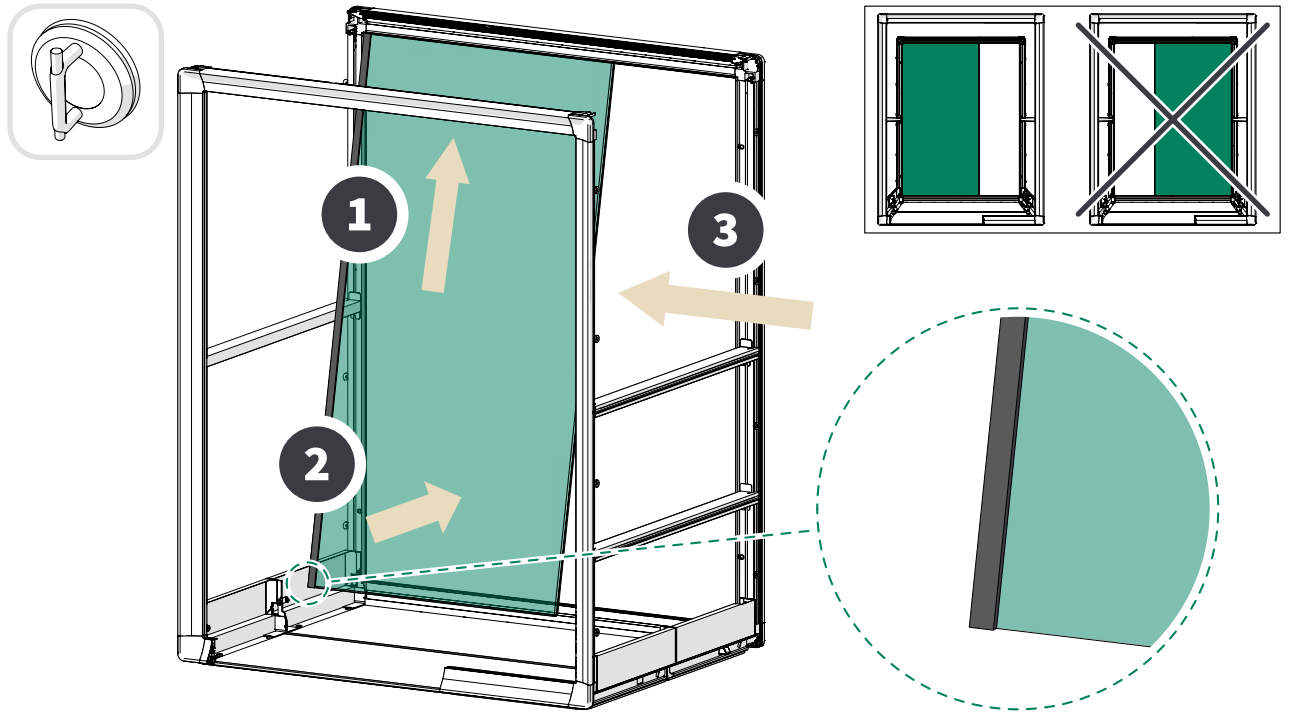


1.4 Install the horizontal frames

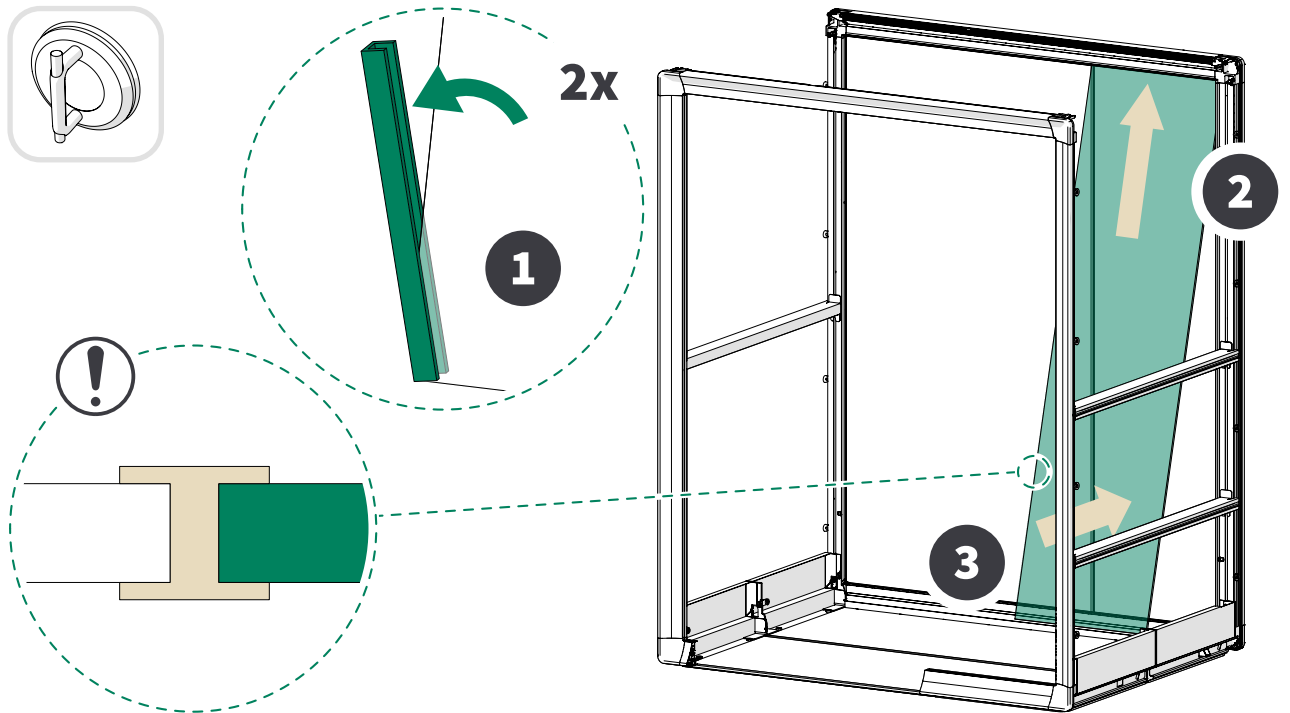


1.5 Install the back glasses

1.

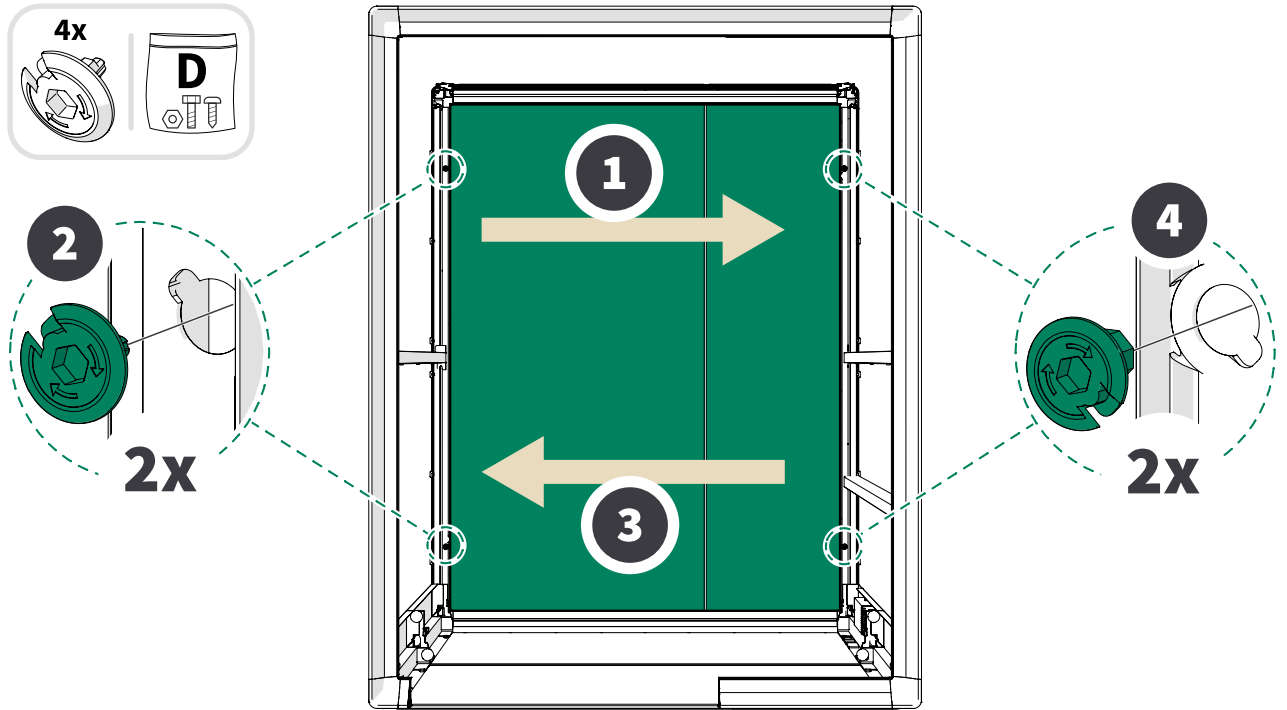


2.



Tighten the screws of the back glass wall

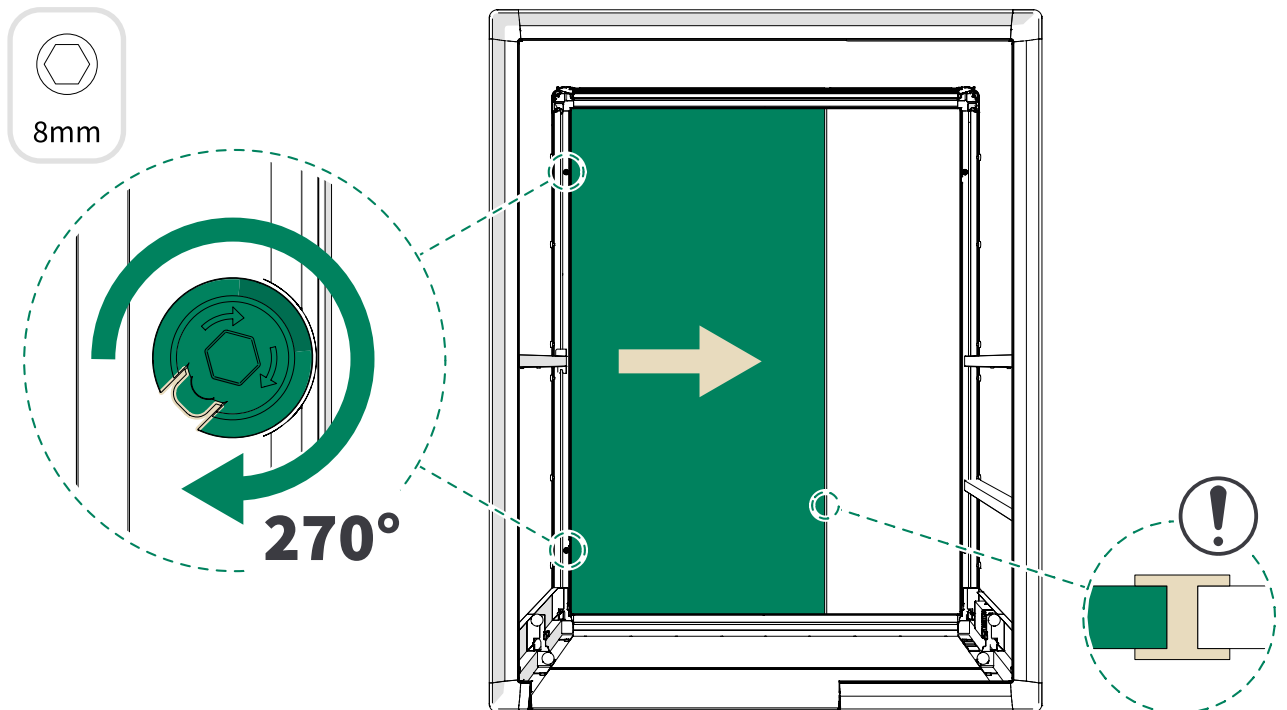
1.



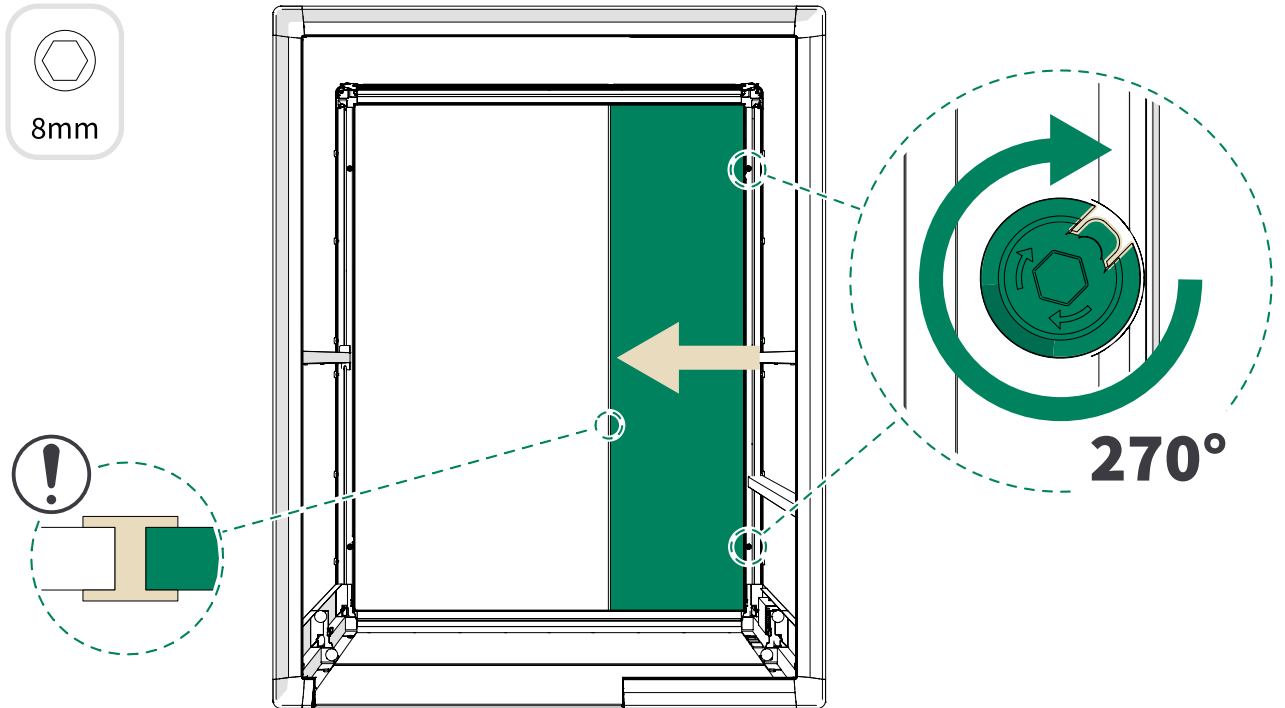
2.



Note: Make sure that the glasses form a flat and even surface with no gaps or thresholds between the glasses.

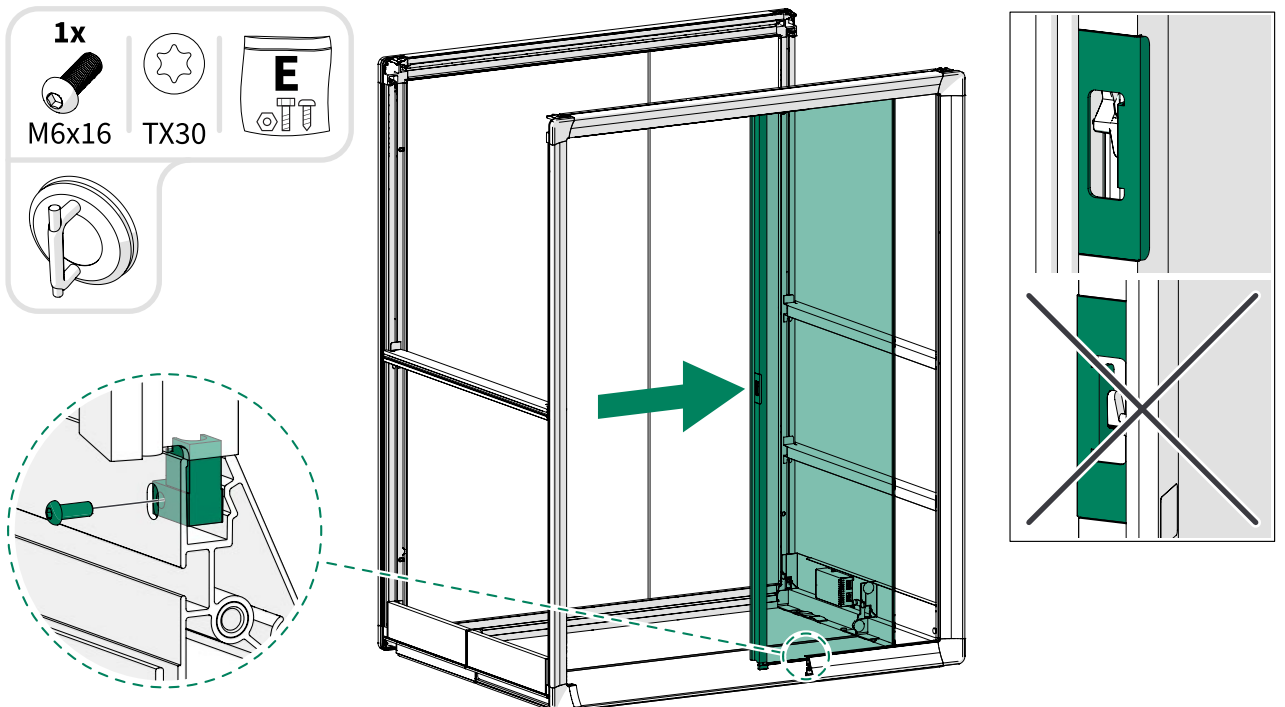


3.

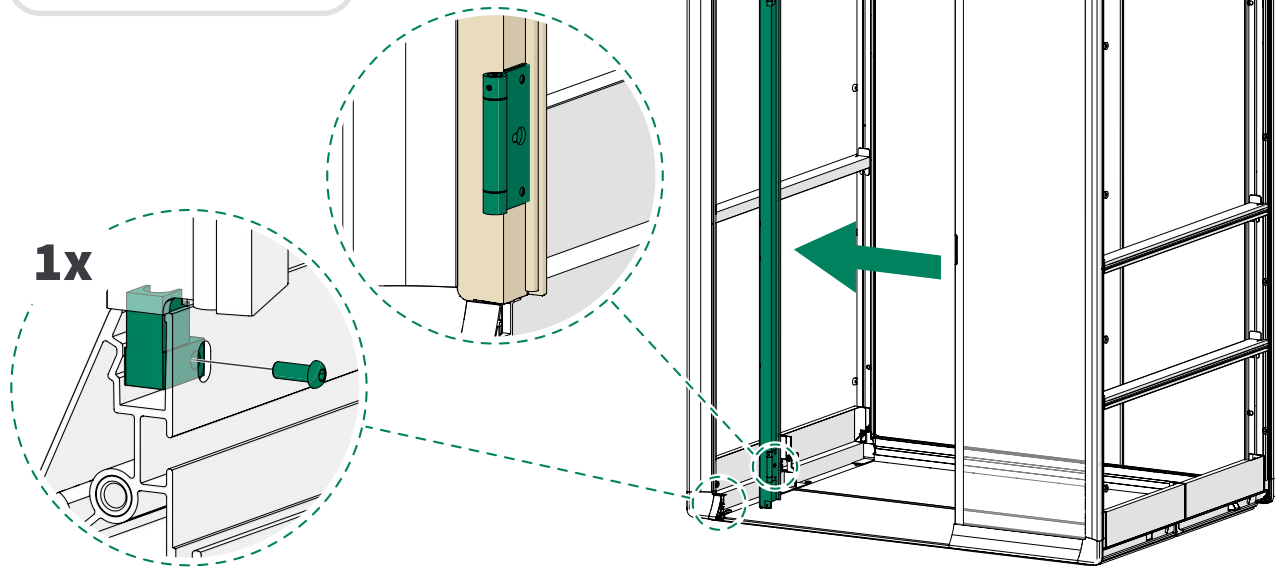


1.6 Install the front glass and hinge frame

1.

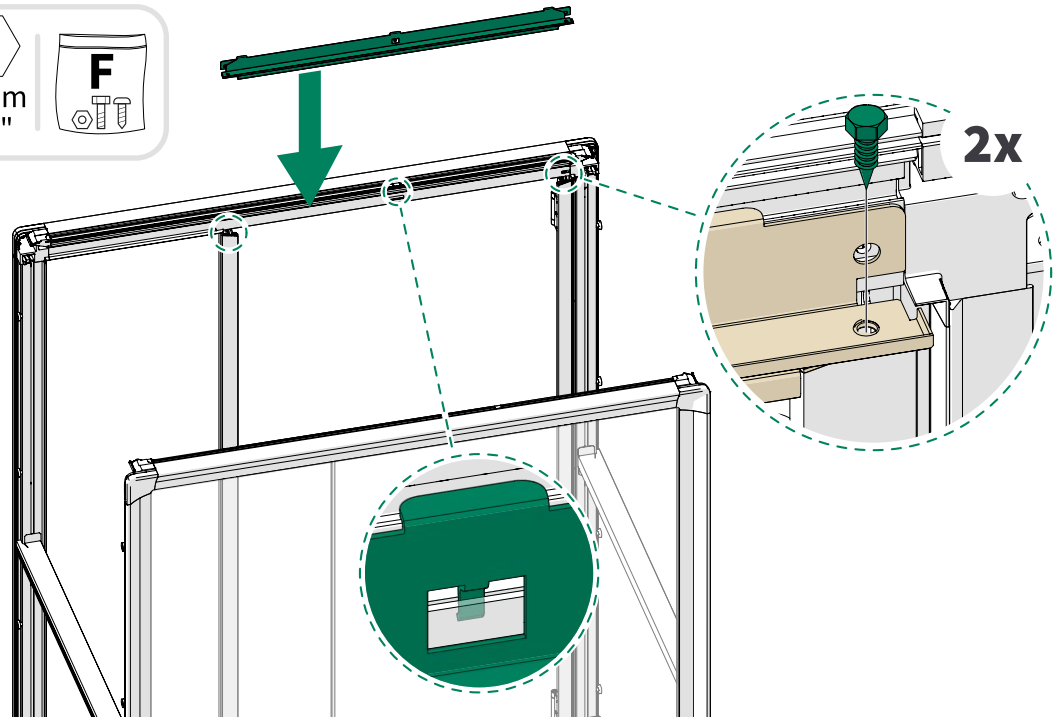
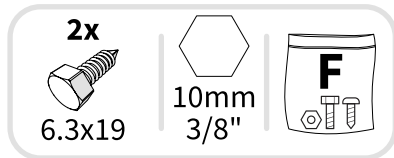


2.

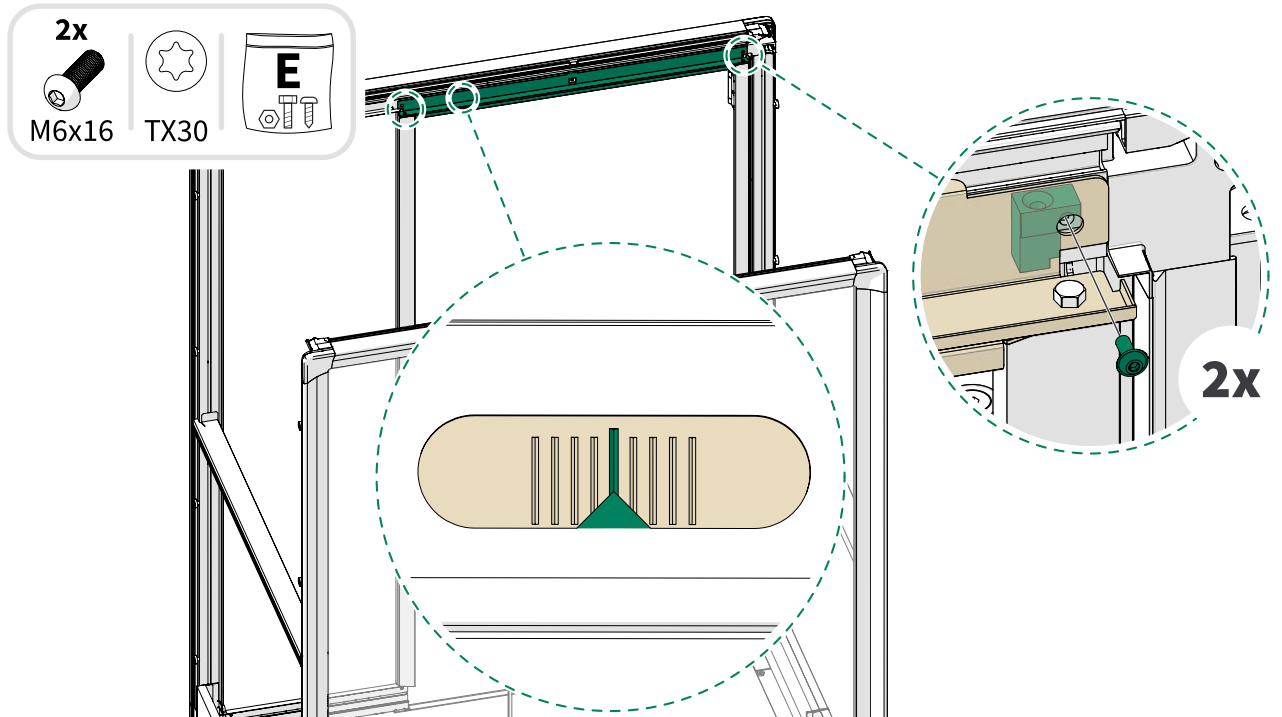


1.7 Install the ceiling threshold

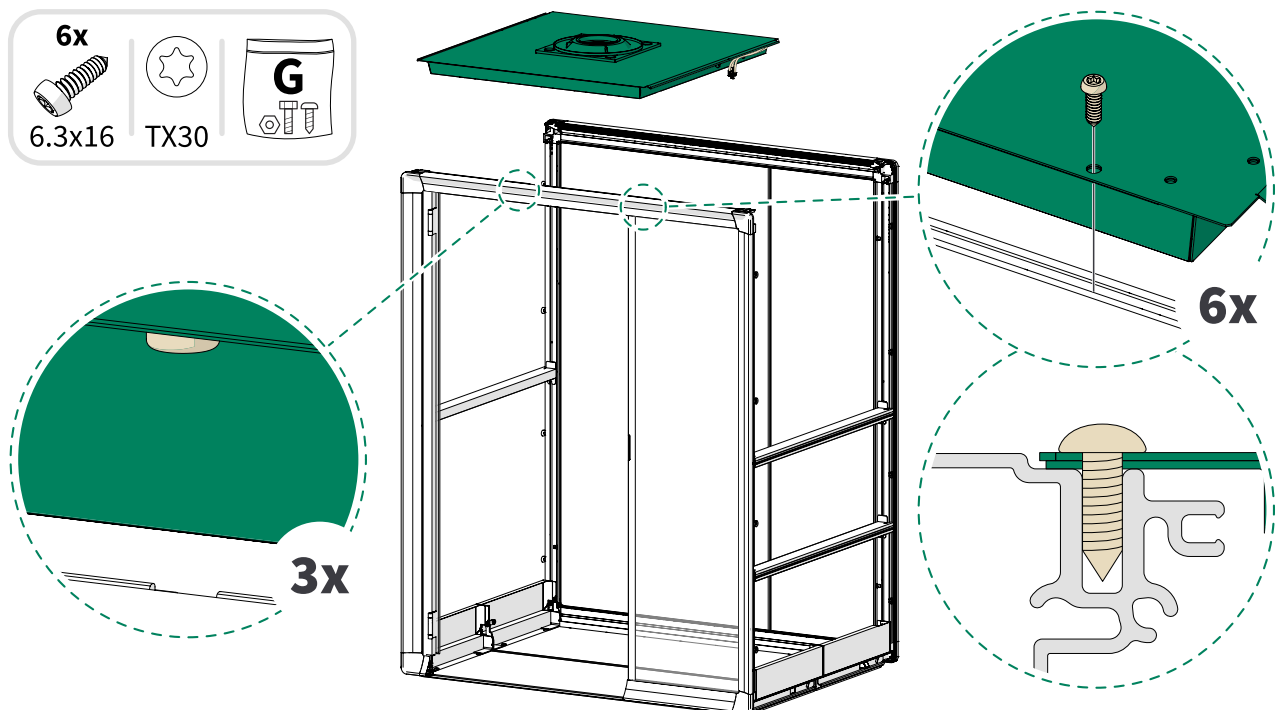
1.



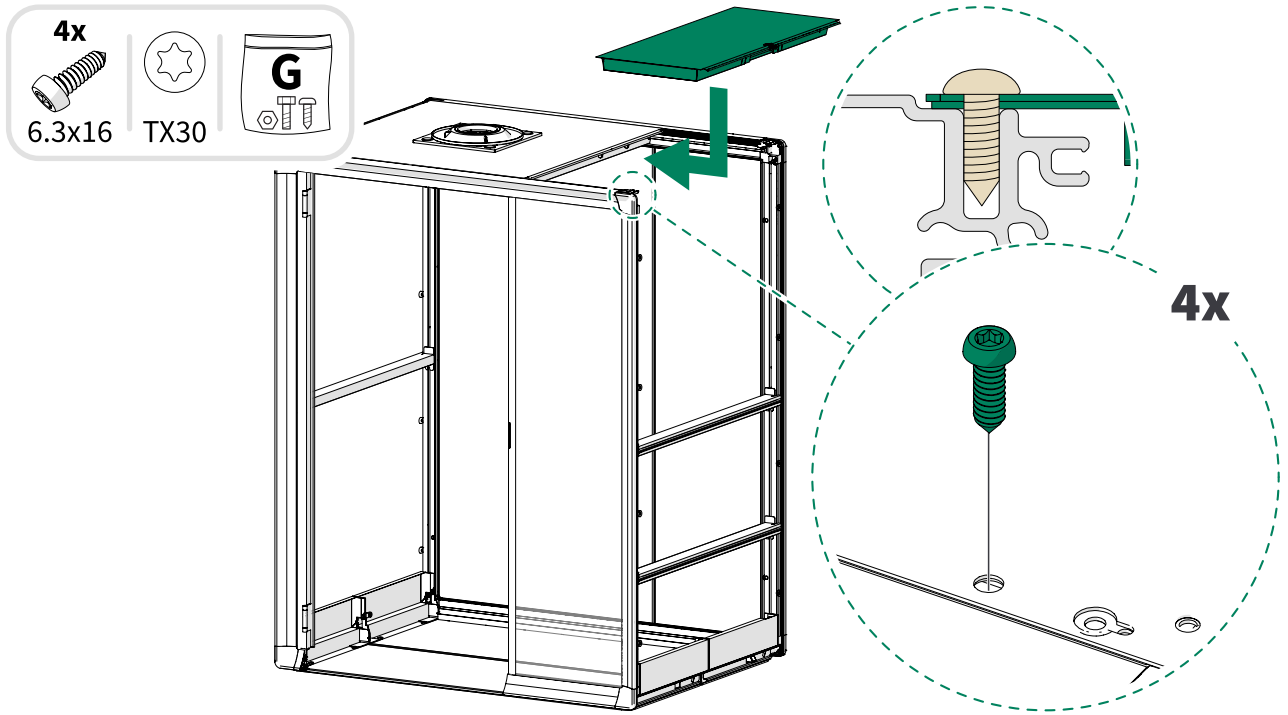
2.



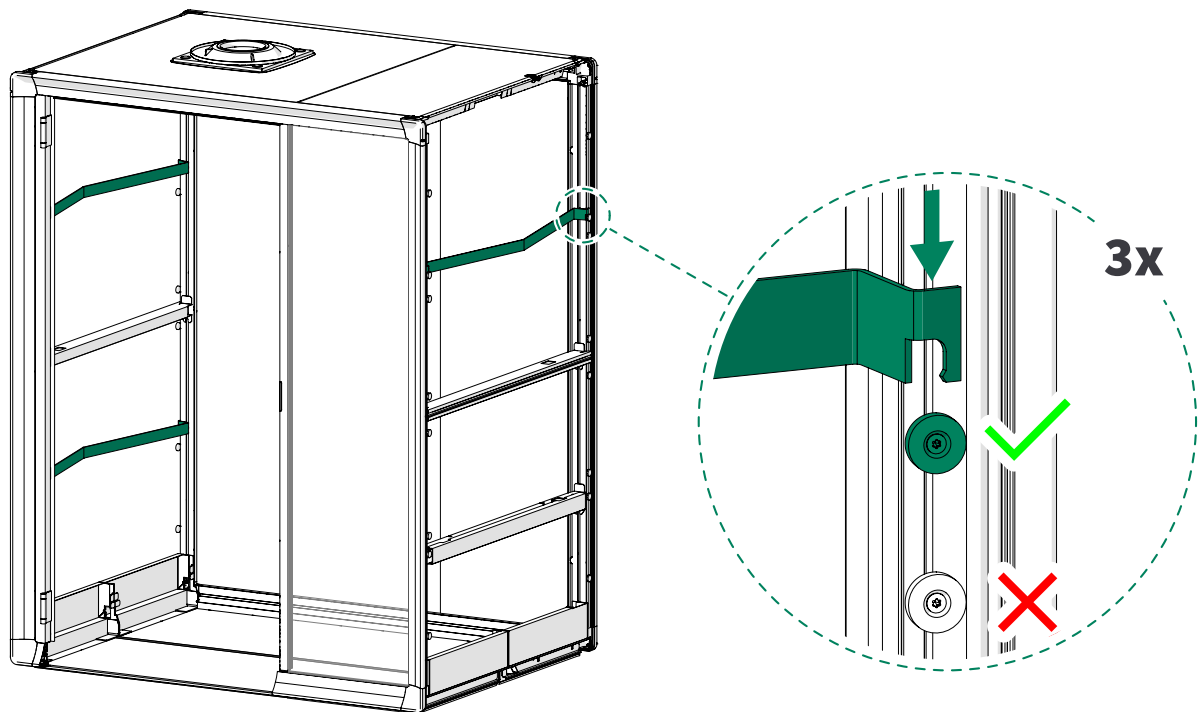
1.8 Install the inlet module



1.9 Install the outlet module



1.10 Install the wall brackets



2 Electrics

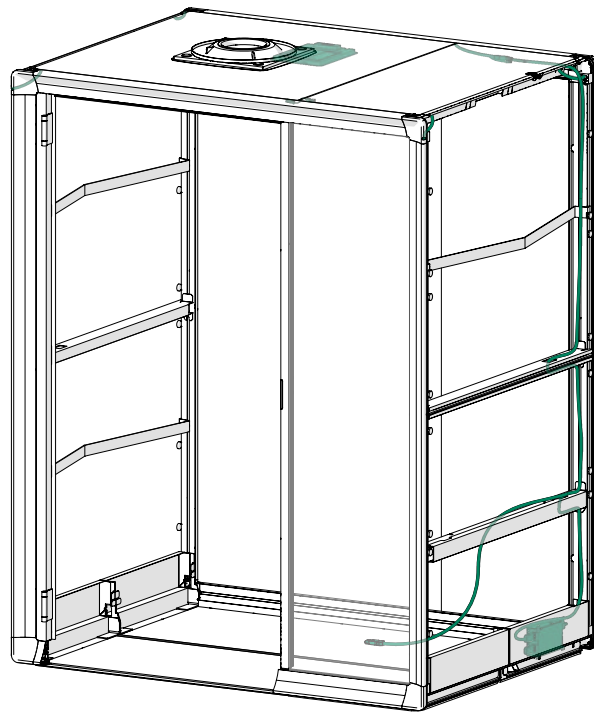
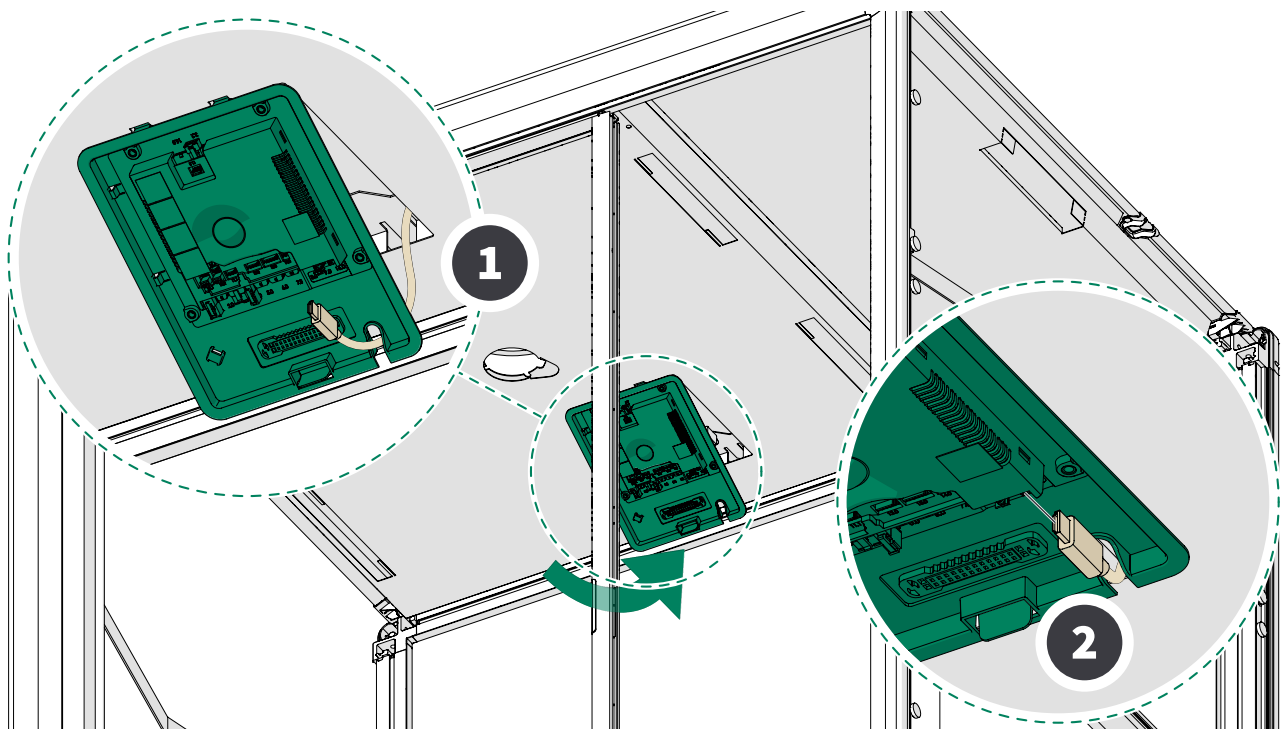
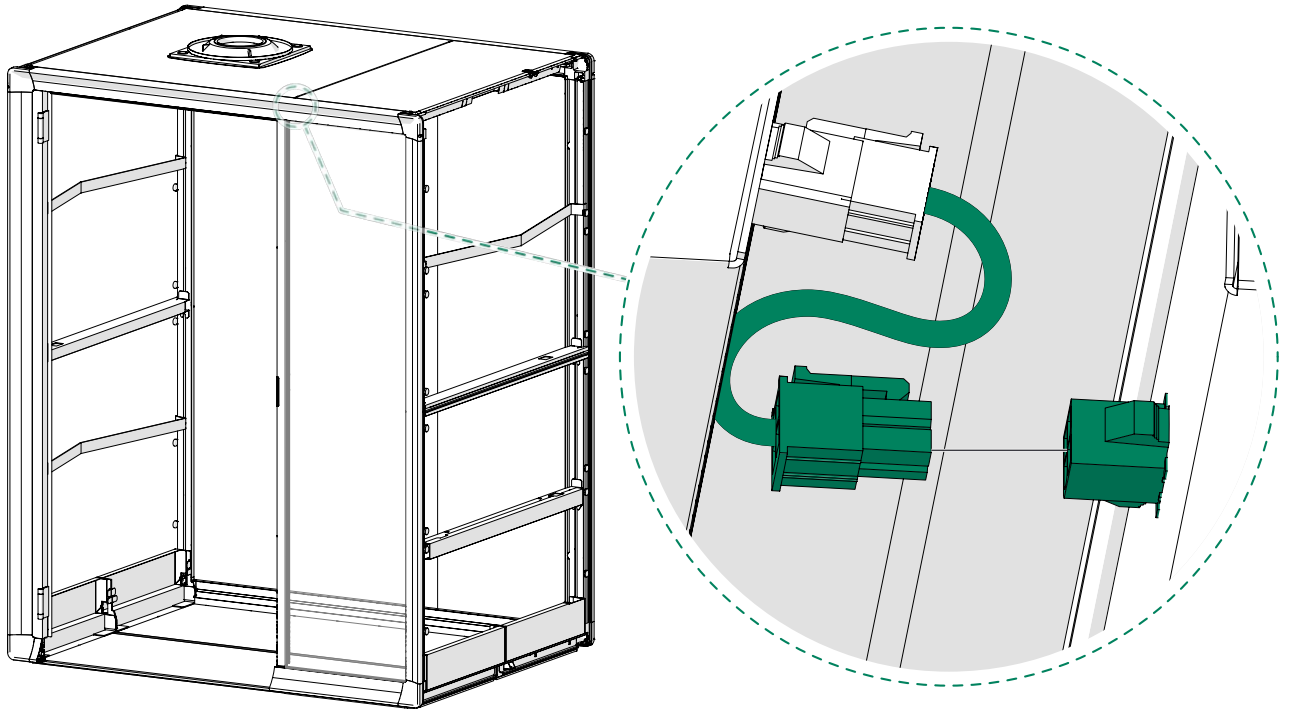


Figure 1: Overview of the pod electrics

2.1 Install the core unit

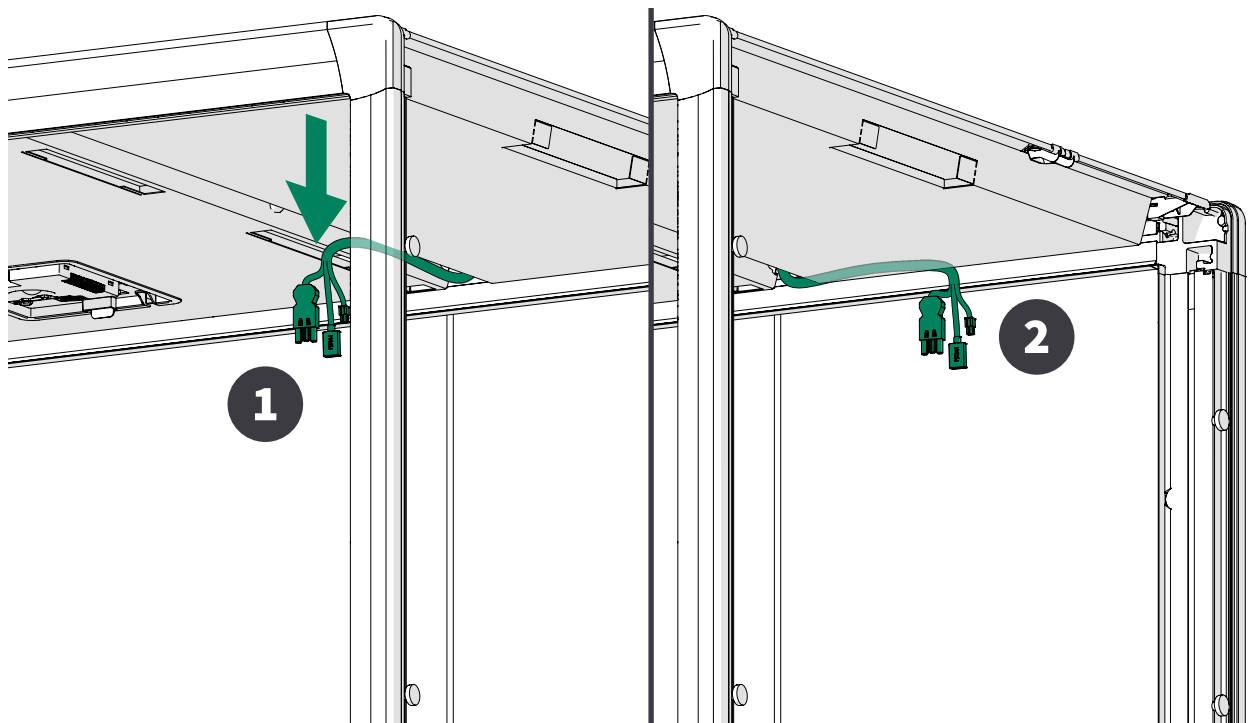


2.2 Connect the modules

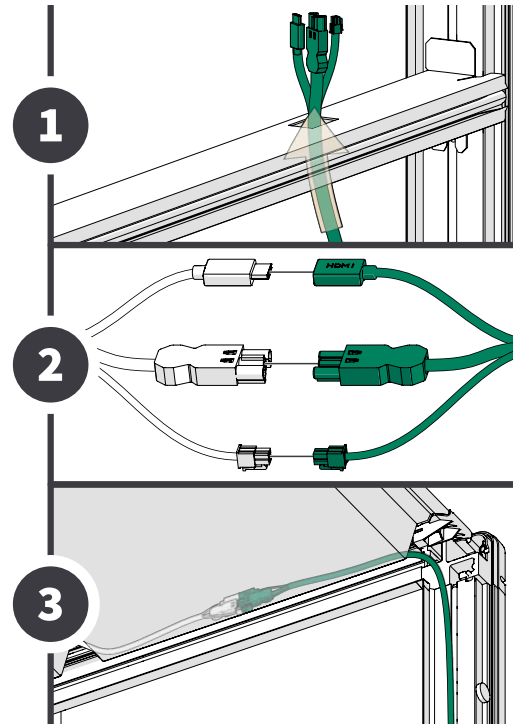
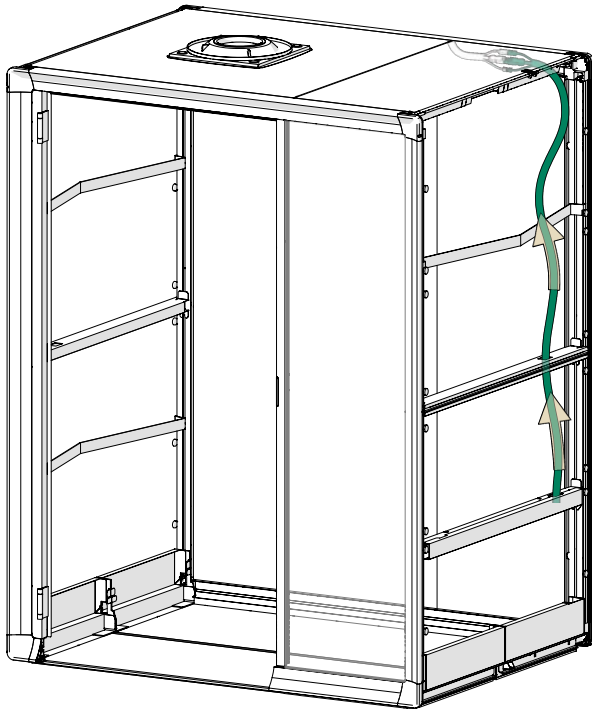


2.3 Install the wiring harness

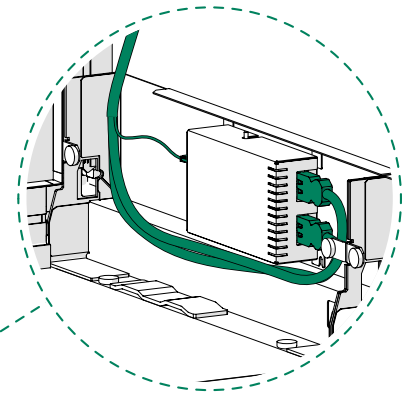
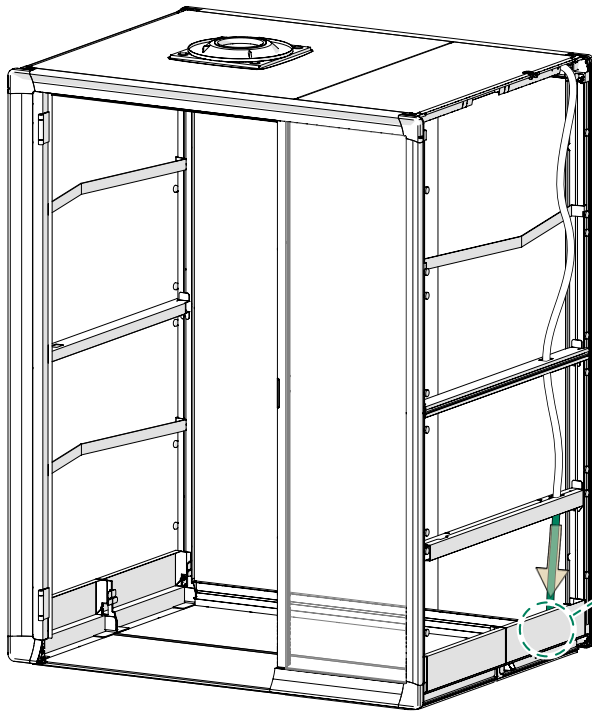
1.



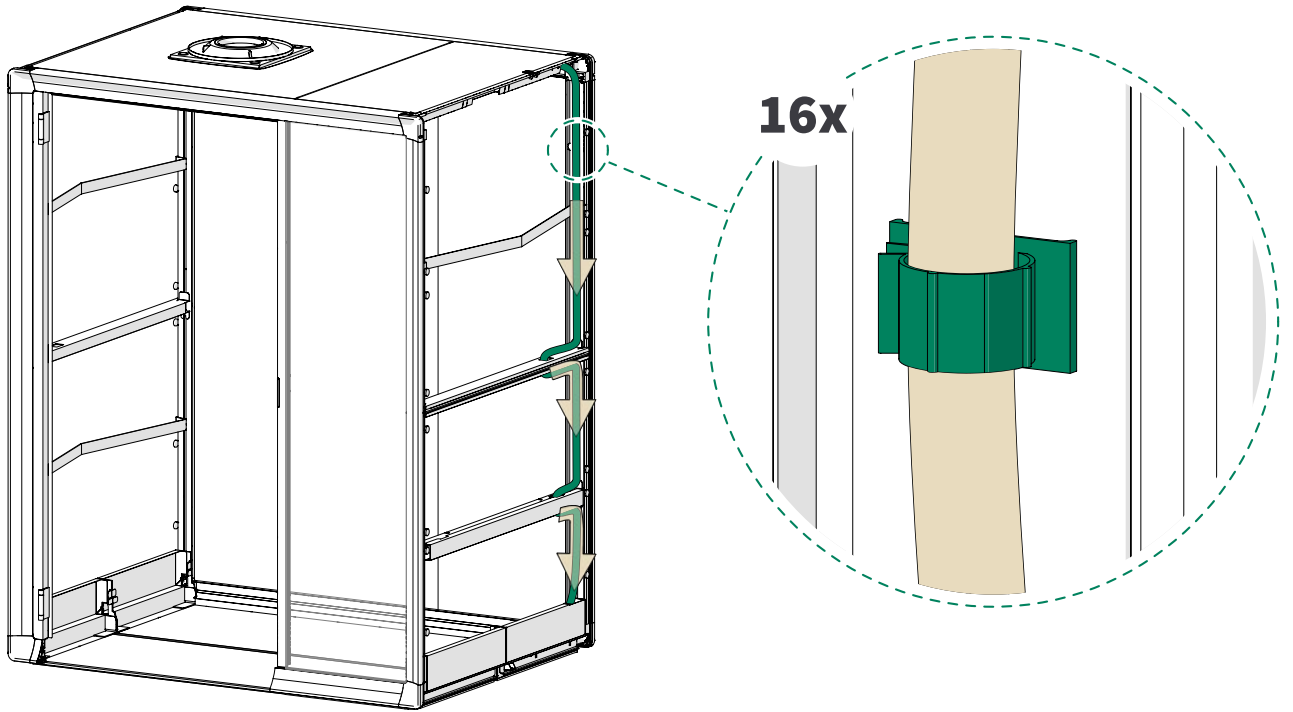
2.



3.

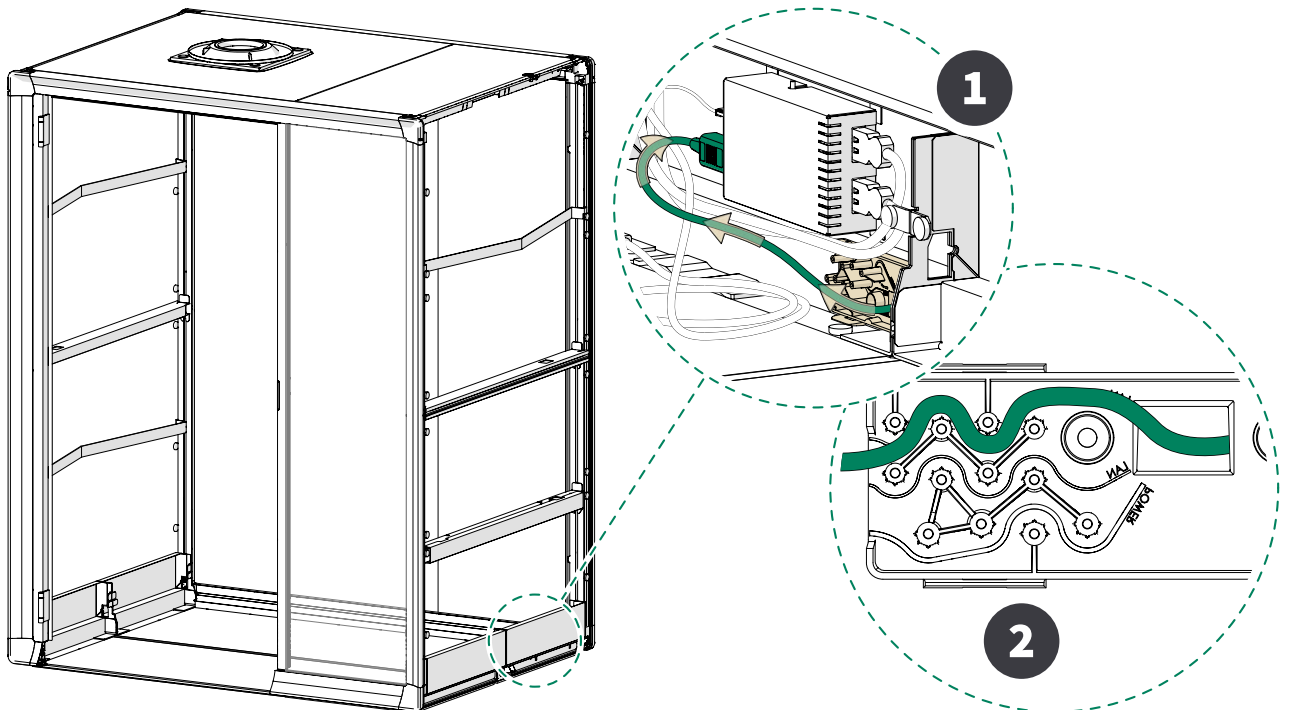


4.

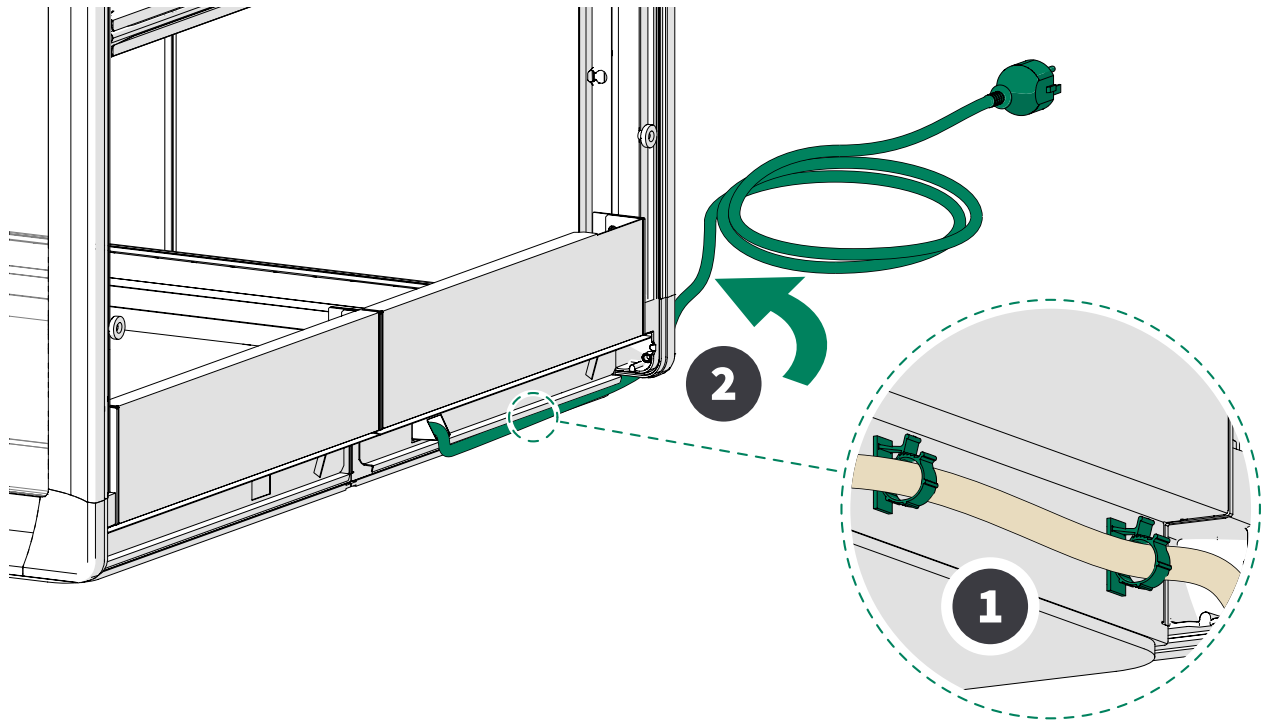


2.4 Install the AC power cord

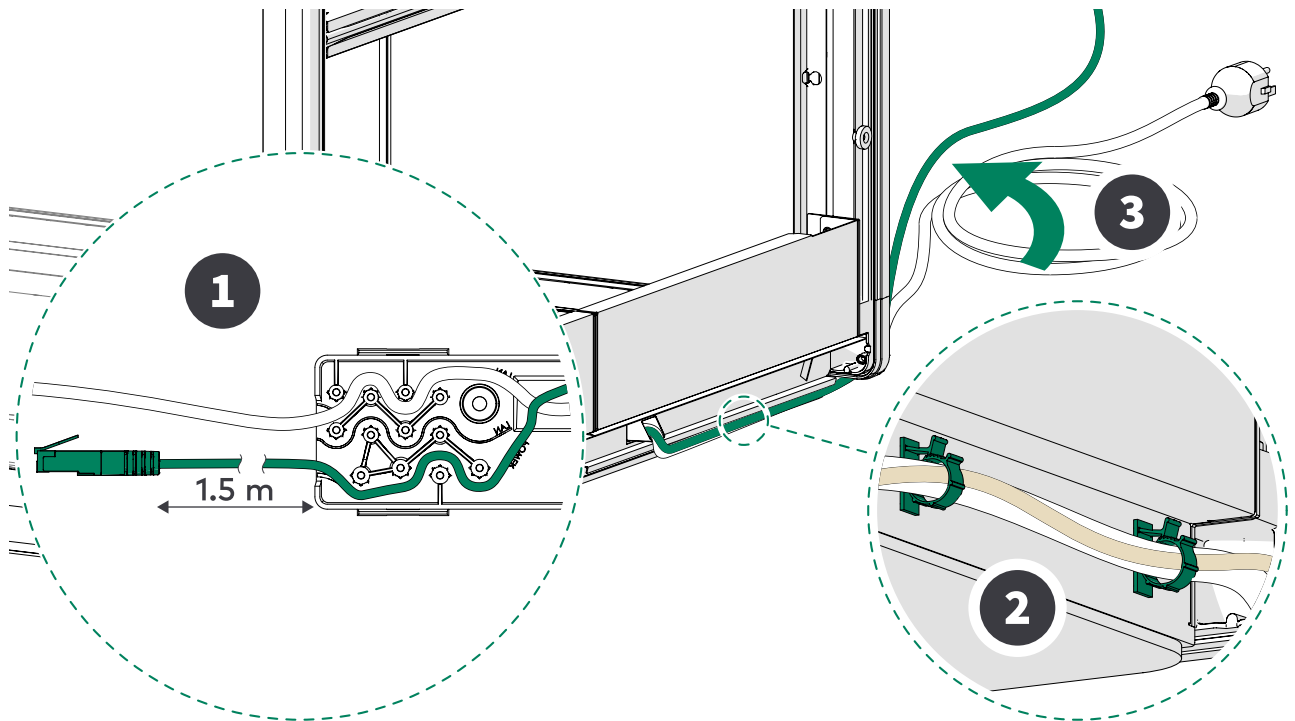
1.



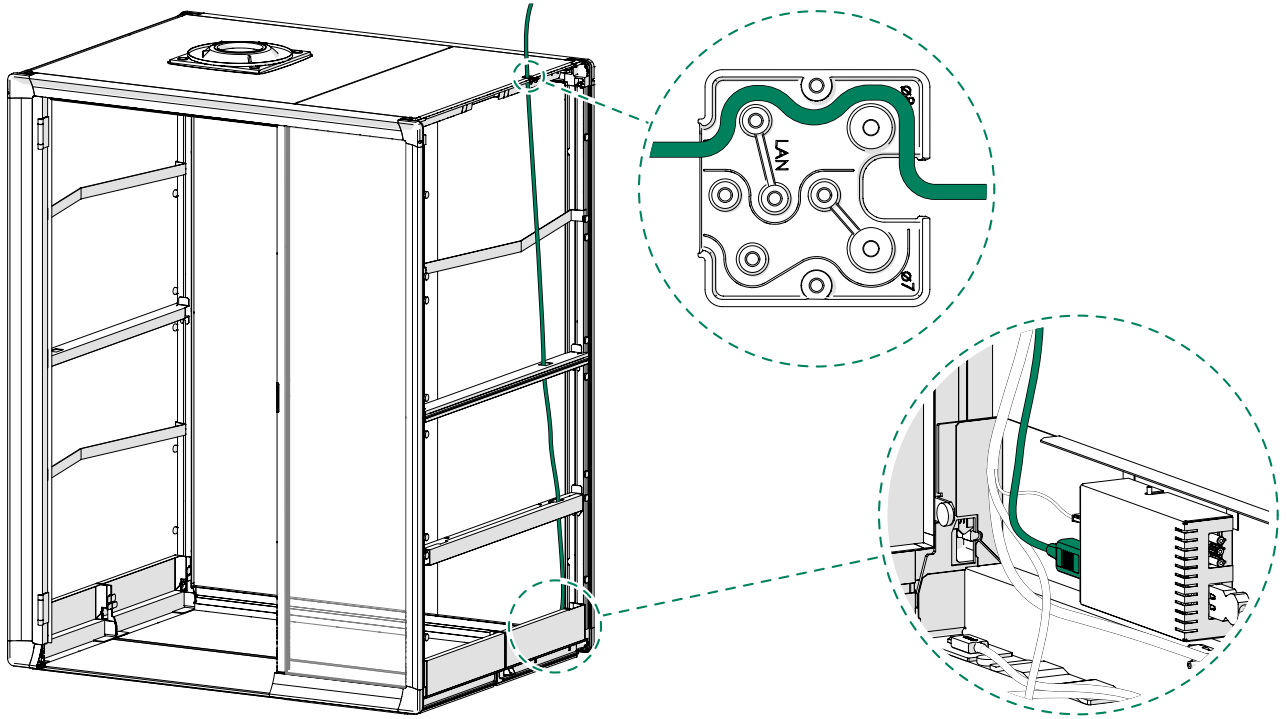
2.



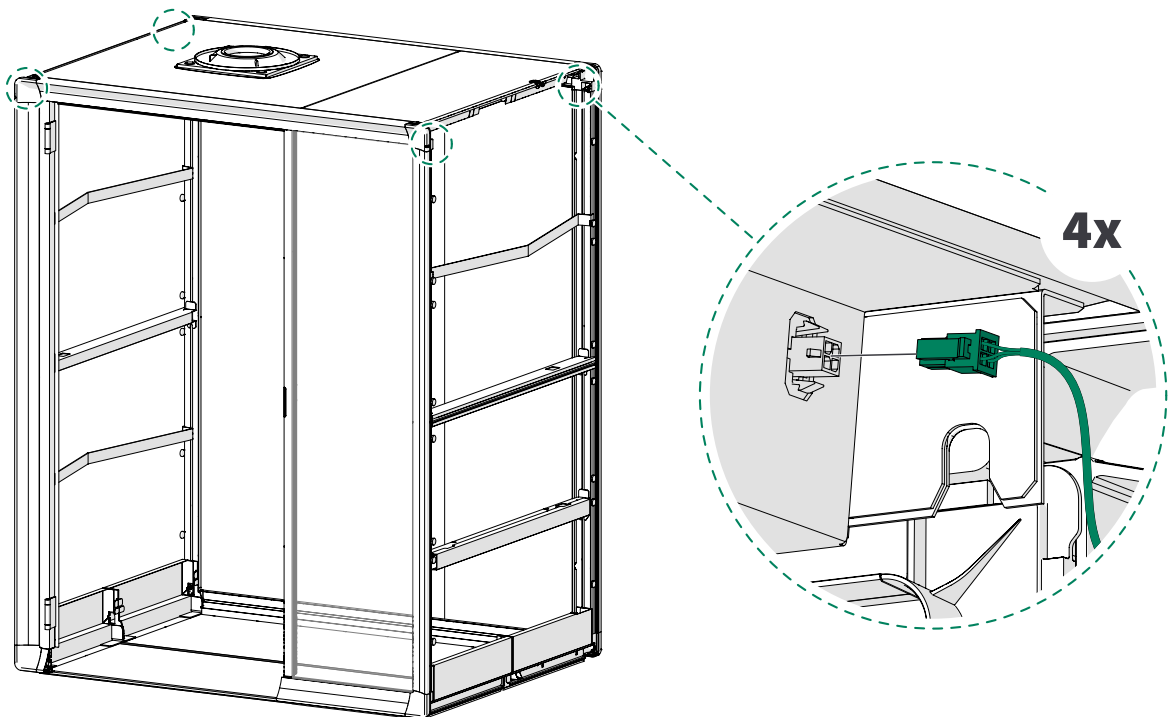
2.5 Install the LAN cable (optional)



2.6 Install the AC power cord (roof), optional



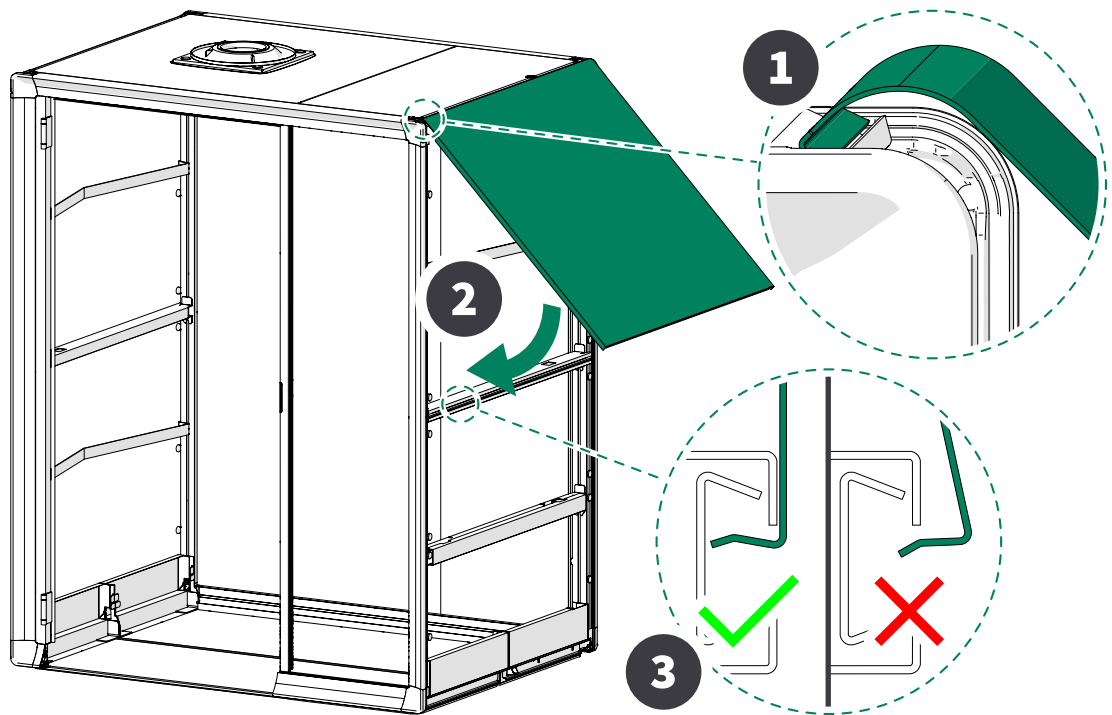
2.7 Connect the occupancy lights



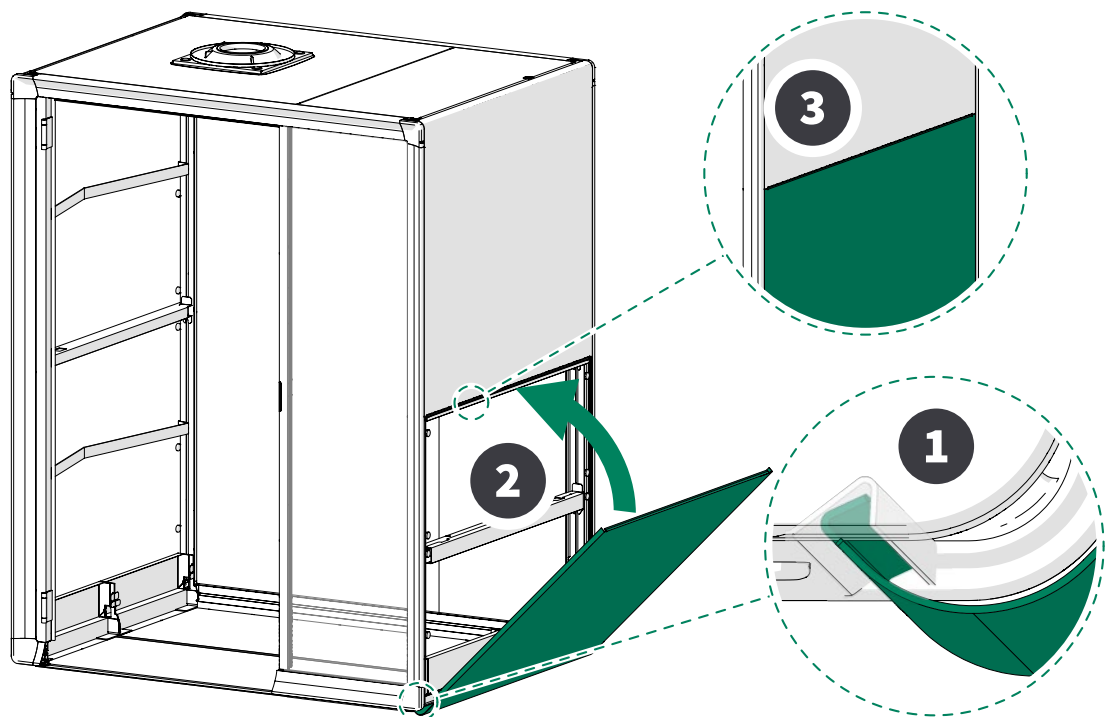
3 Insulation and exterior

3.1 Install the wall exterior panels

1.



2.

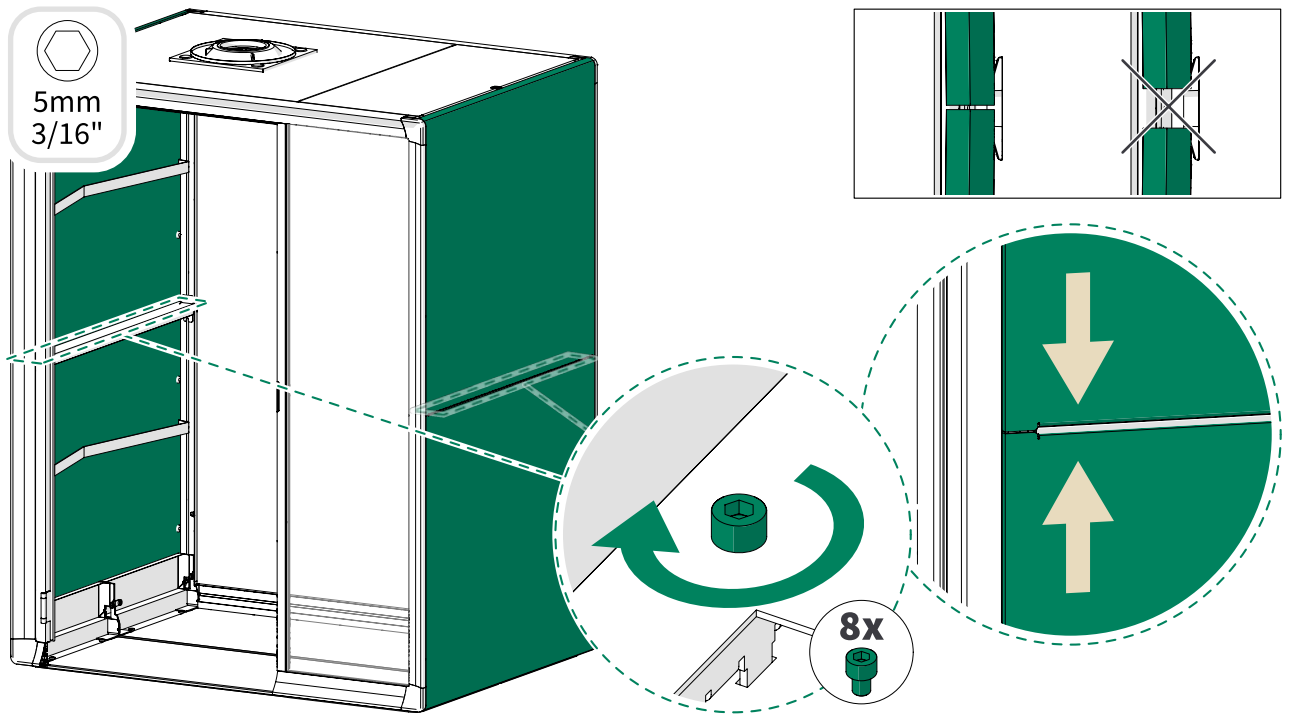


Repeat for the other wall.

Tighten the exterior panels

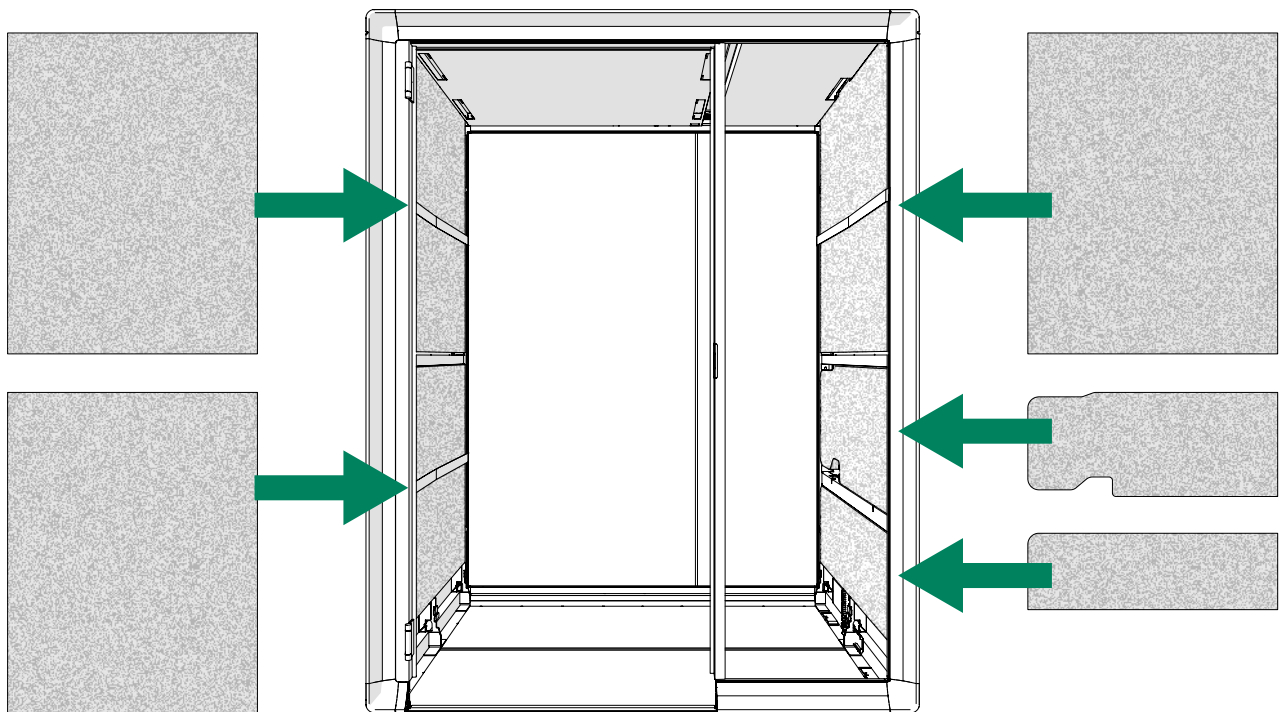


Note: Check that the exterior panels are properly in place.

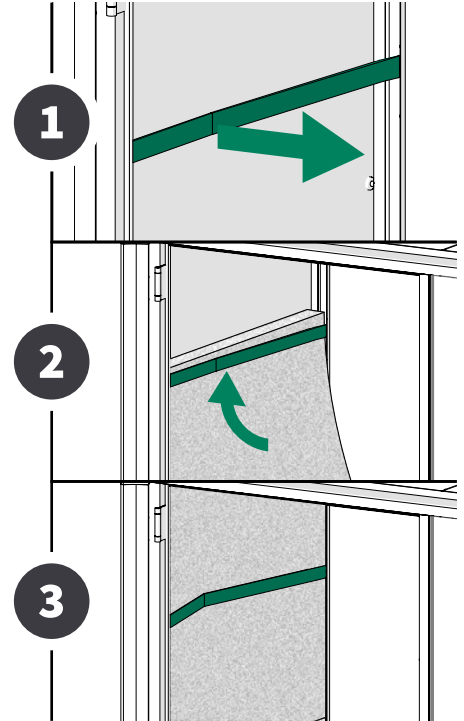
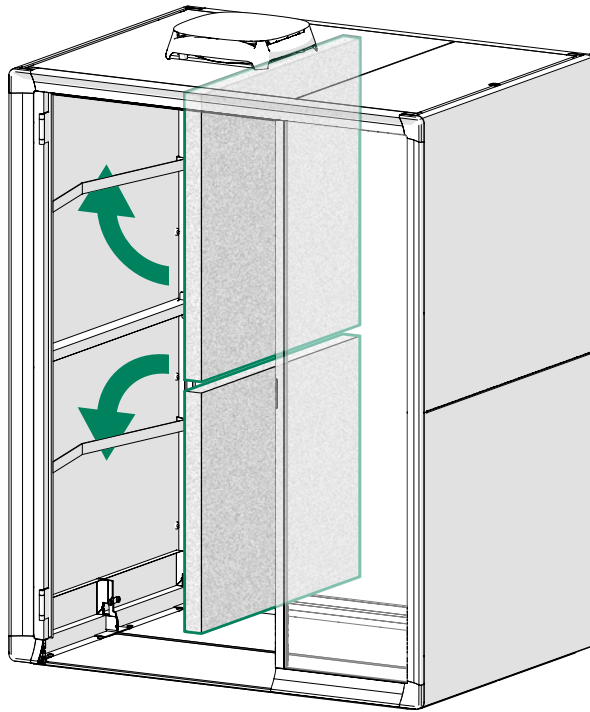


3.2 Install the acoustic panels

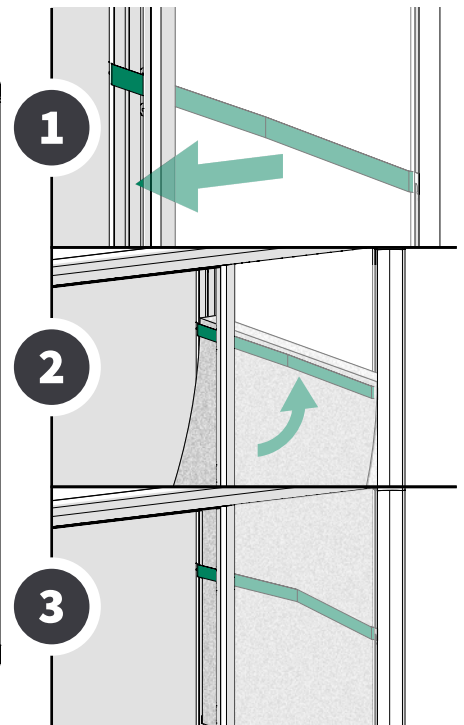
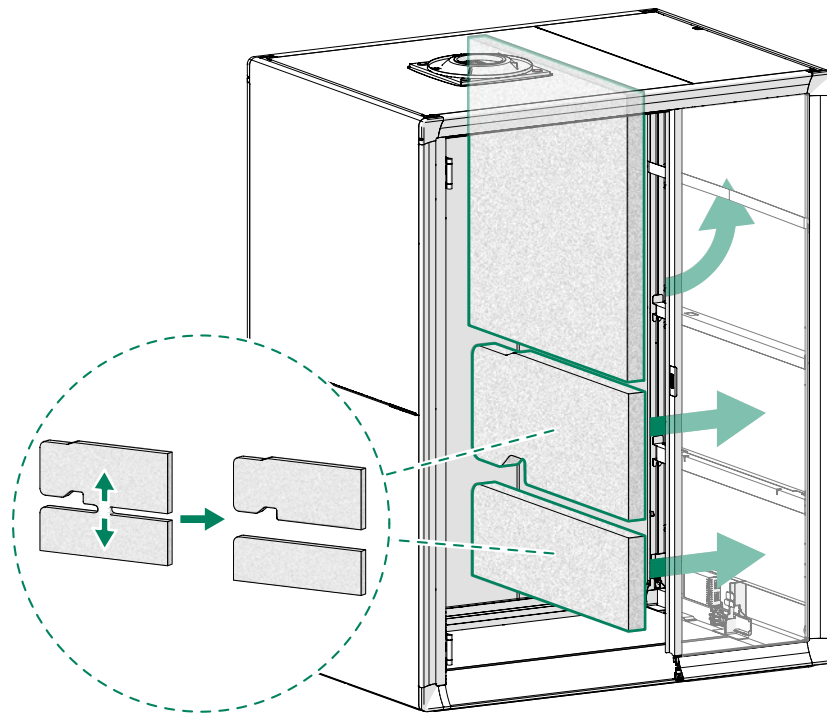
! **Note:** The acoustic panels are crucial for the pod soundproofing. Make sure that you install all of them (5 pcs).



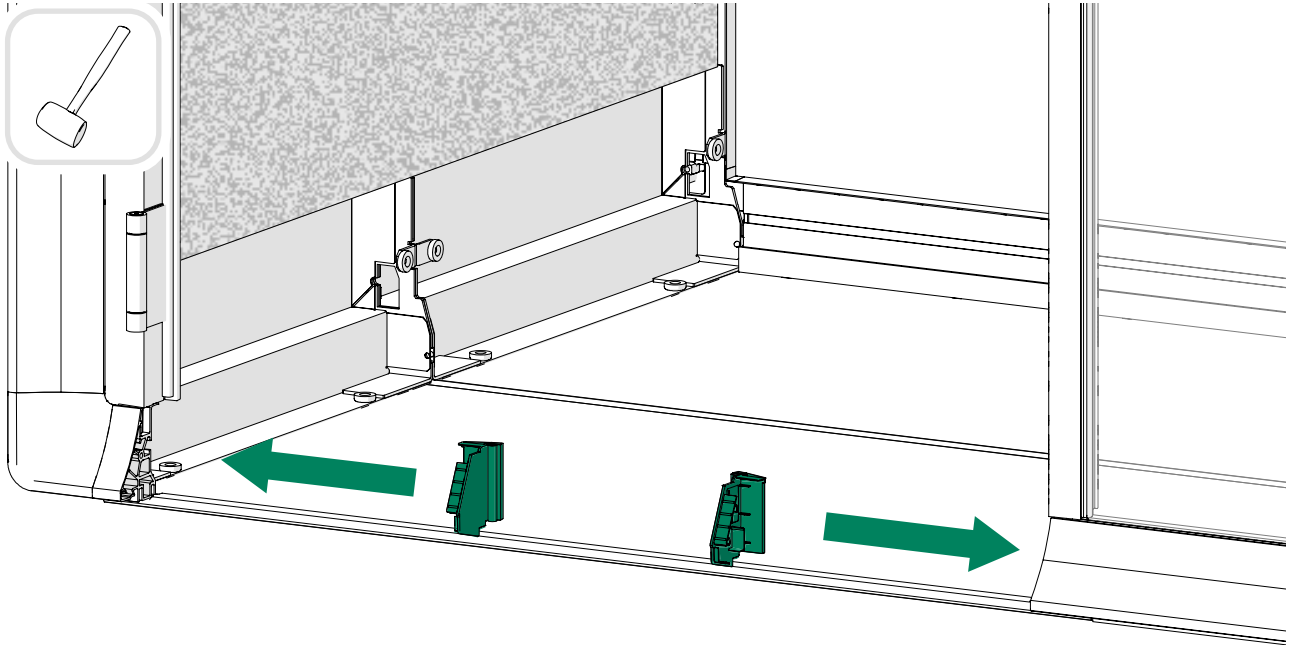
1.



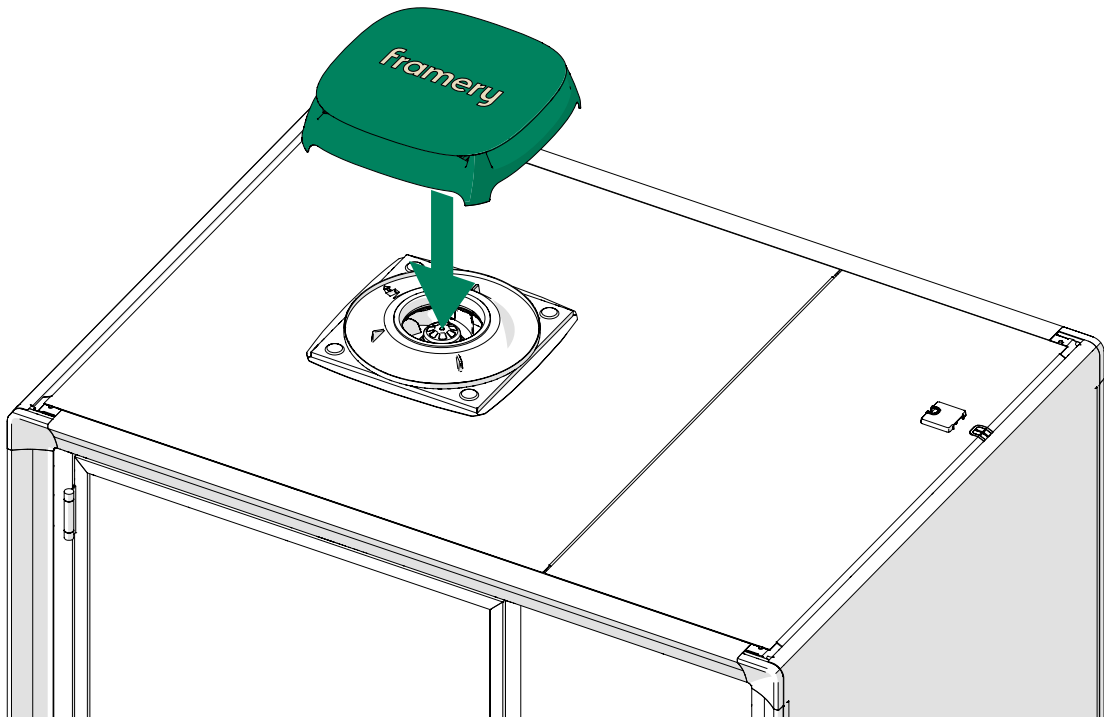
2.



Install the end caps

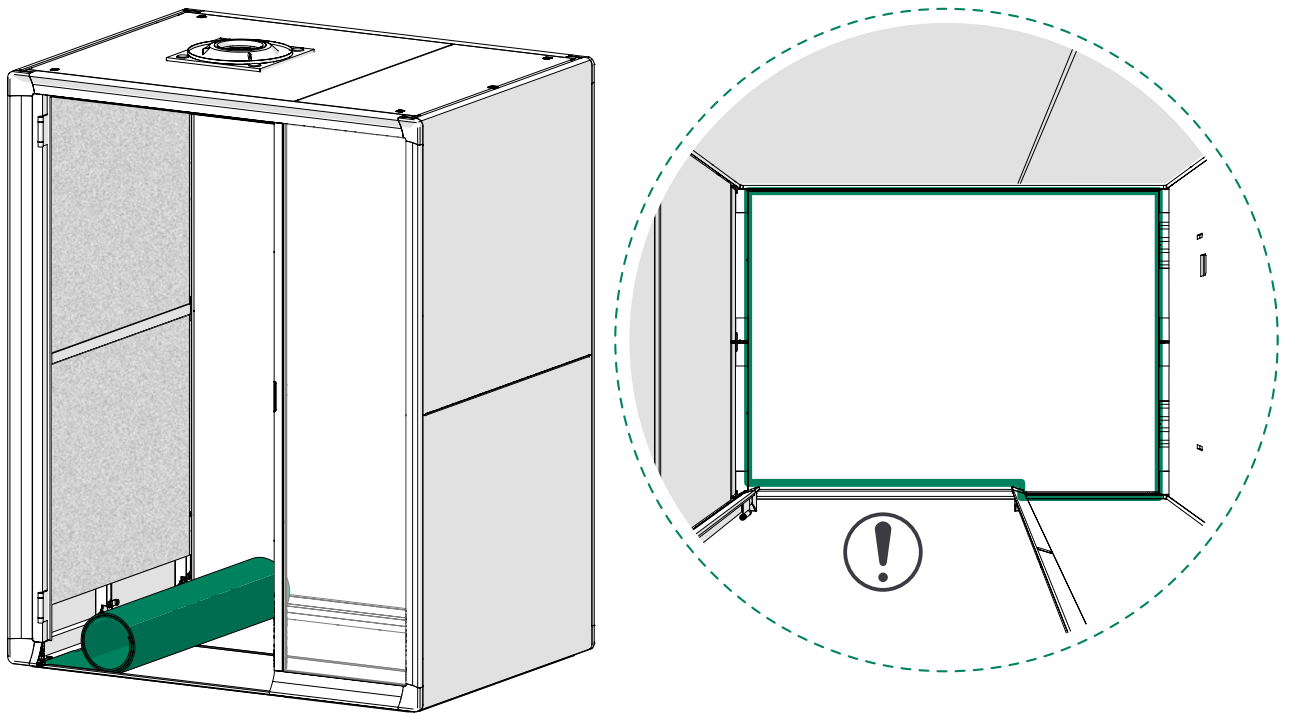


3.3 Install the fan cover

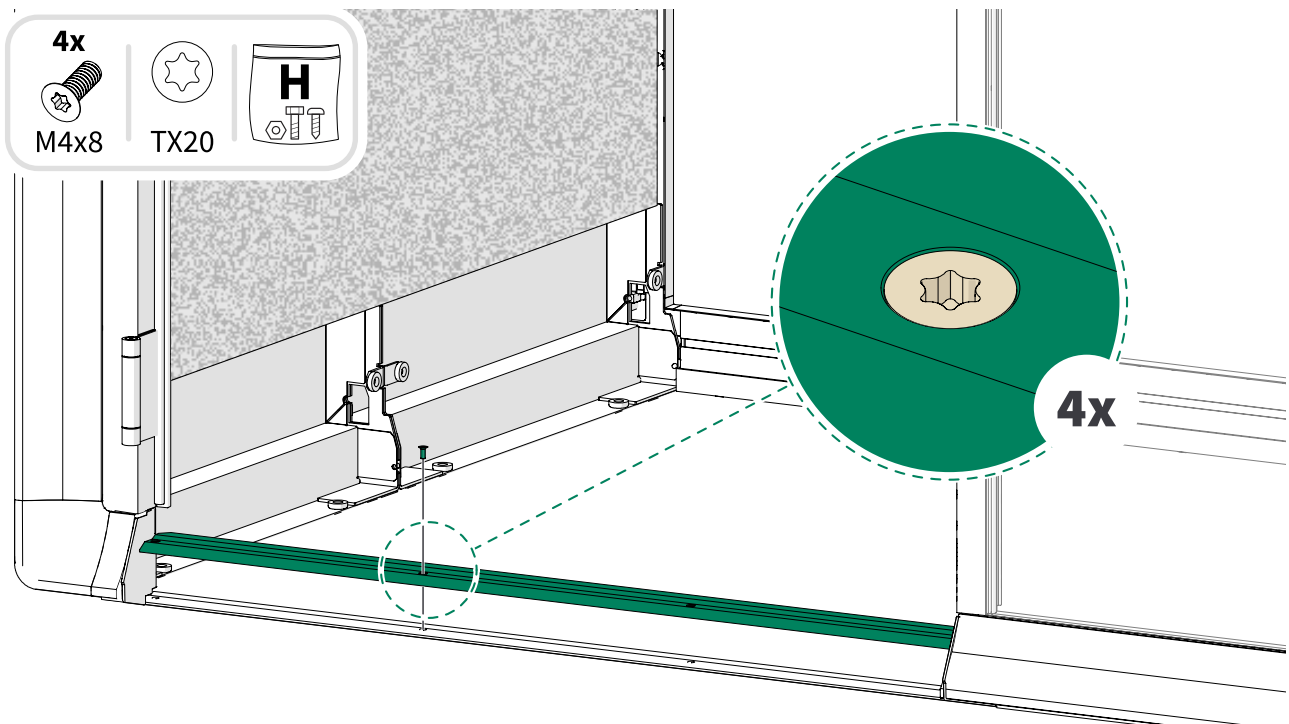


4 Door

4.1 Install the carpet

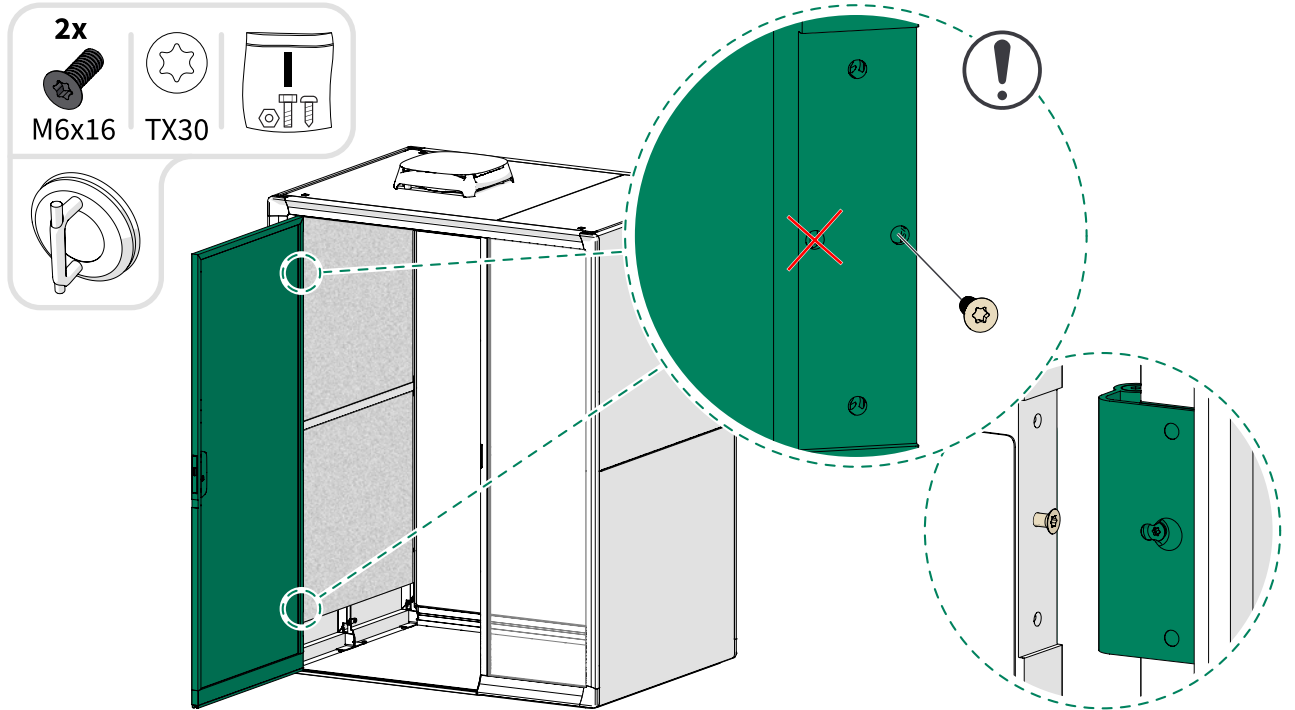


4.2 Install the threshold

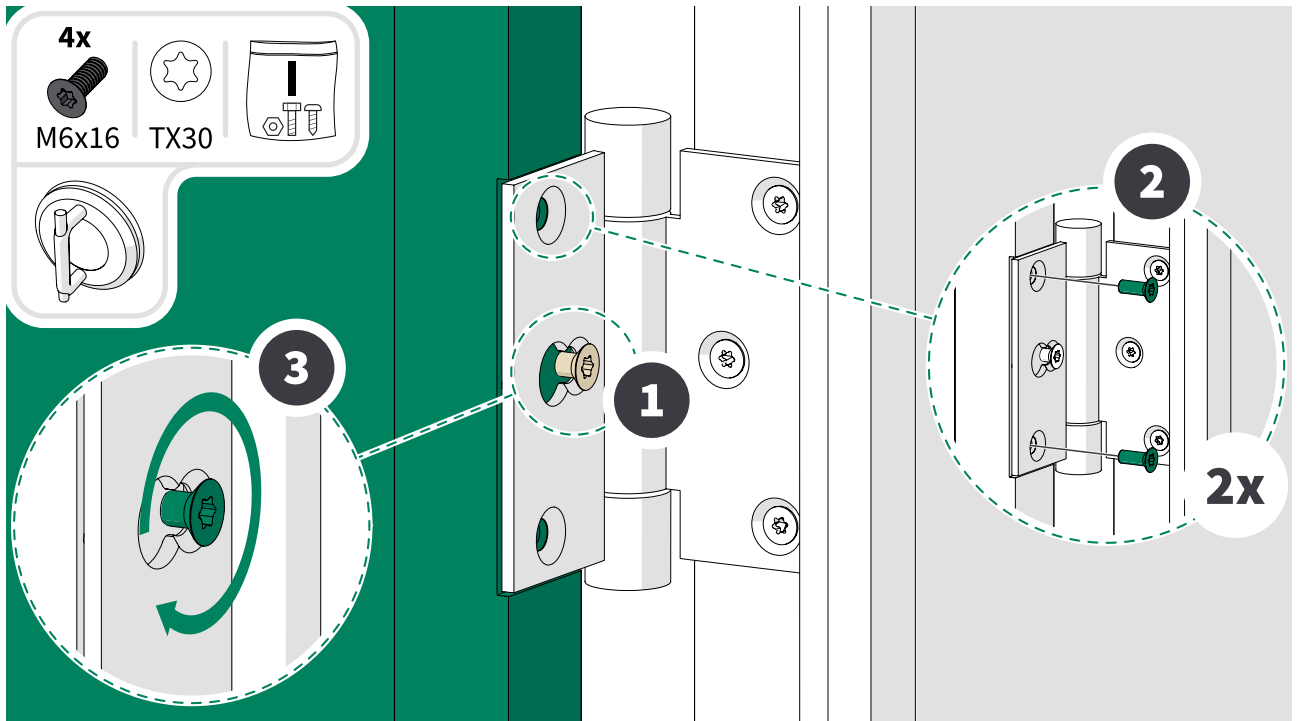


4.3 Install the door

1.

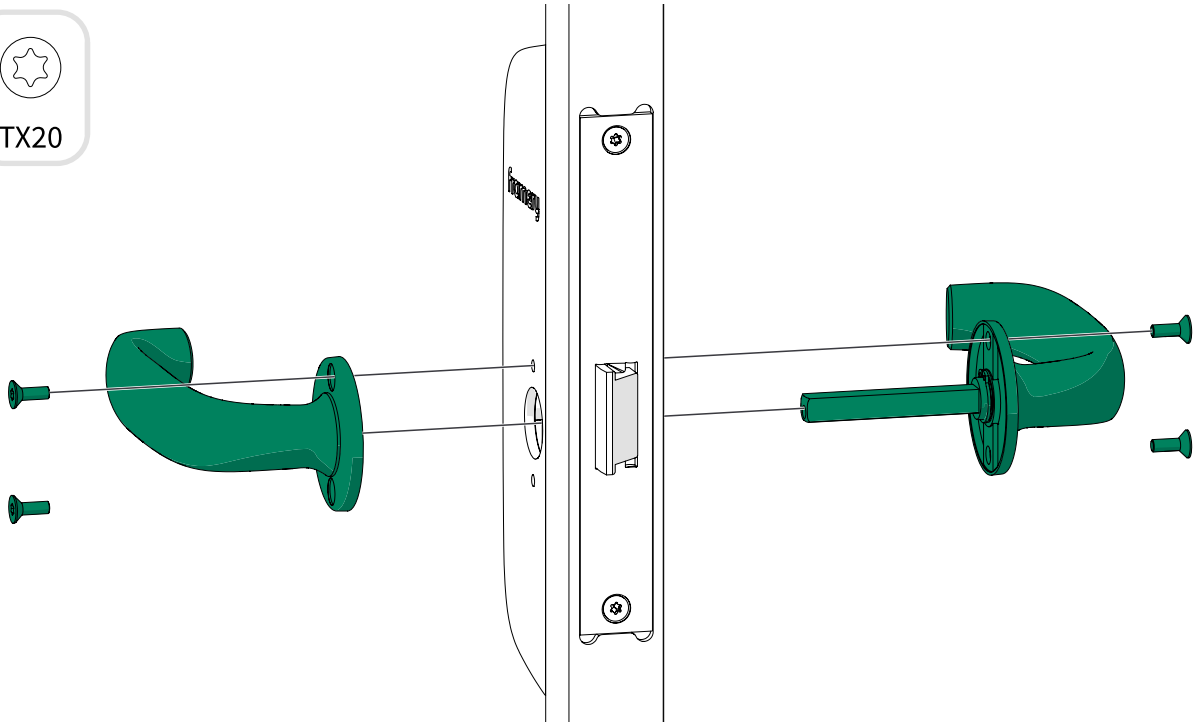


2.

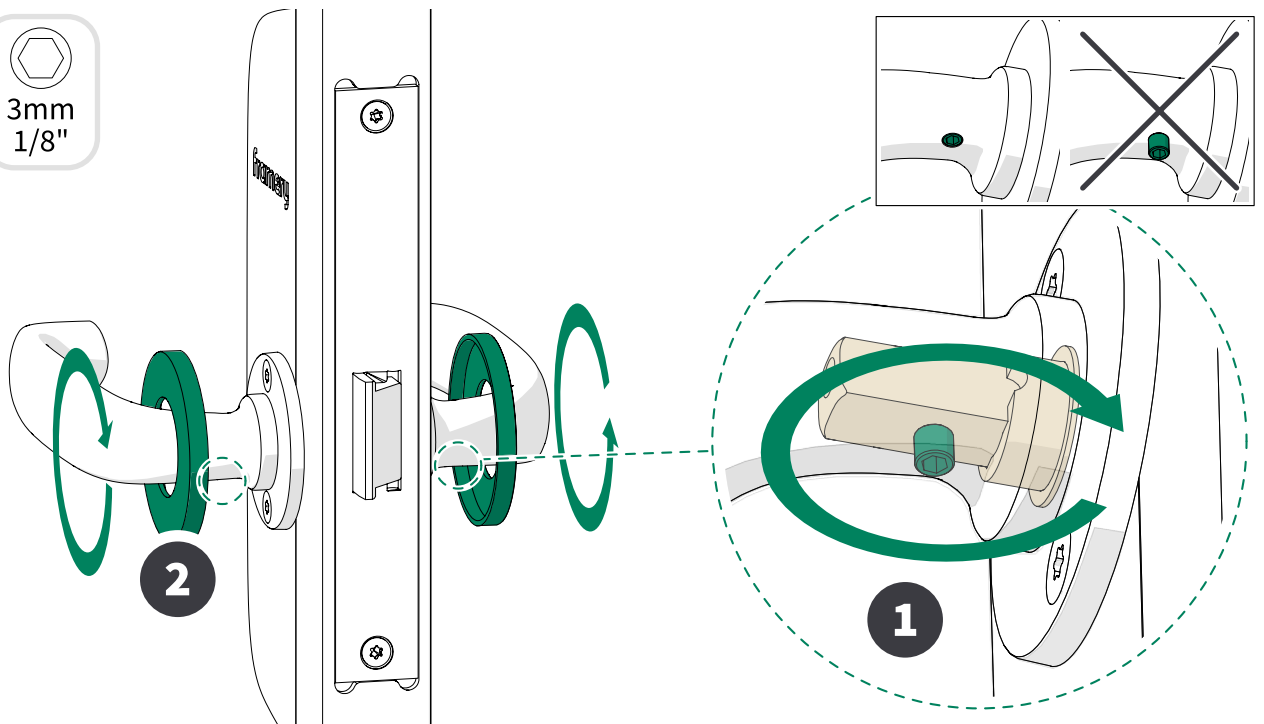


4.4 Install the door handle

1.

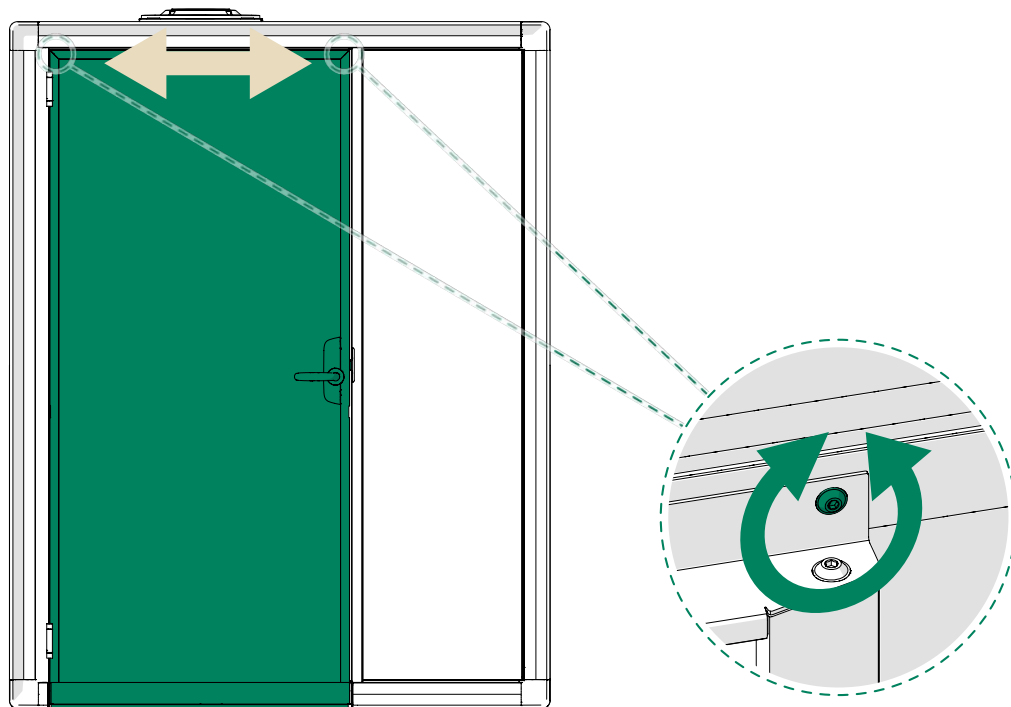


2.

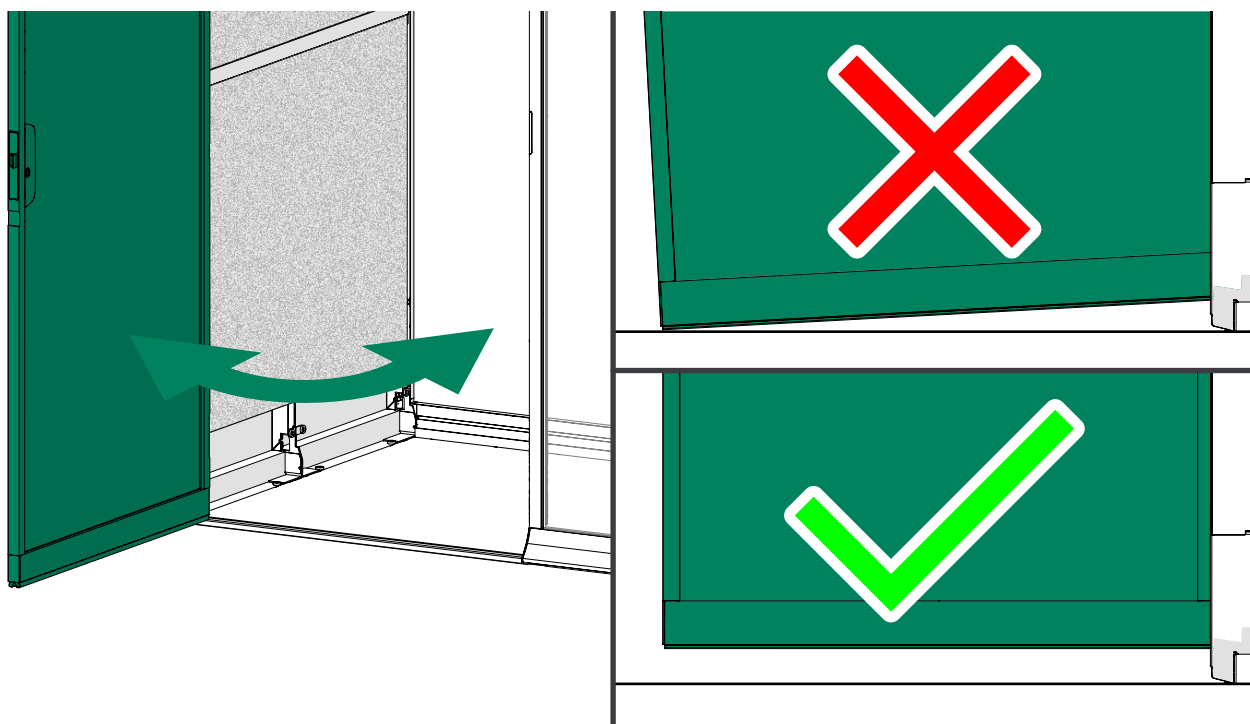



4.5 Adjust the door

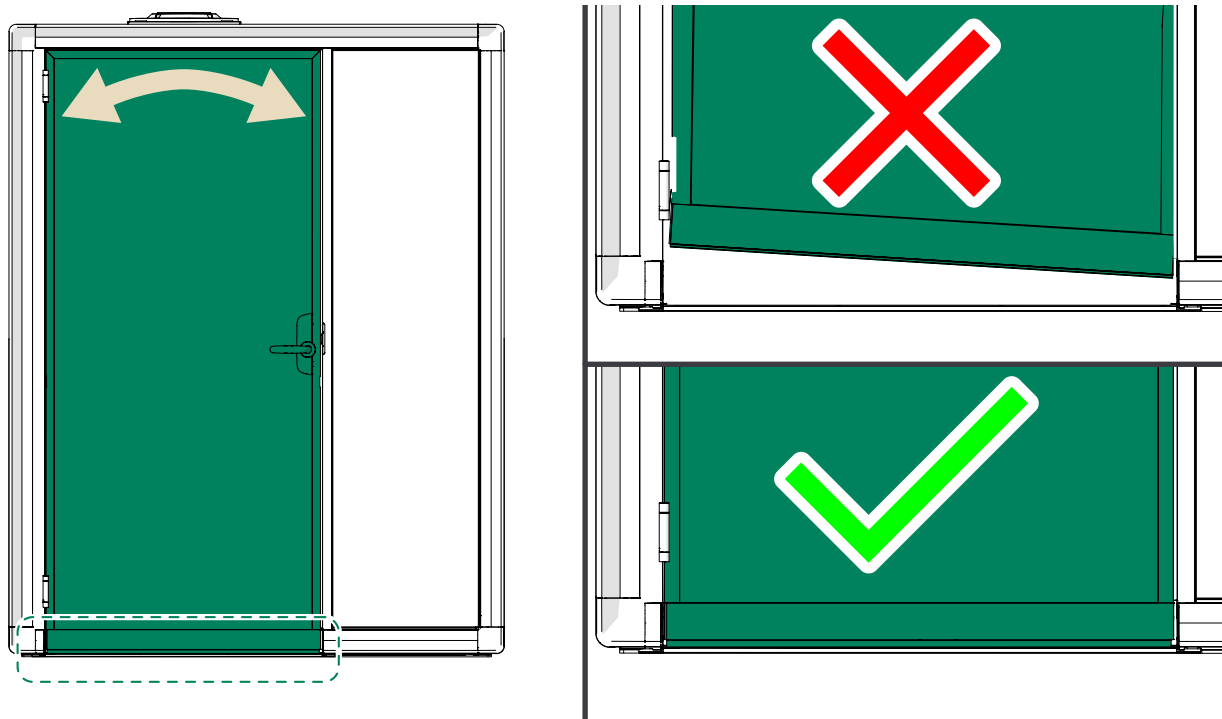
1. If the door does not close properly, loosen the ceiling threshold screws, adjust the door position, and retighten the screws.




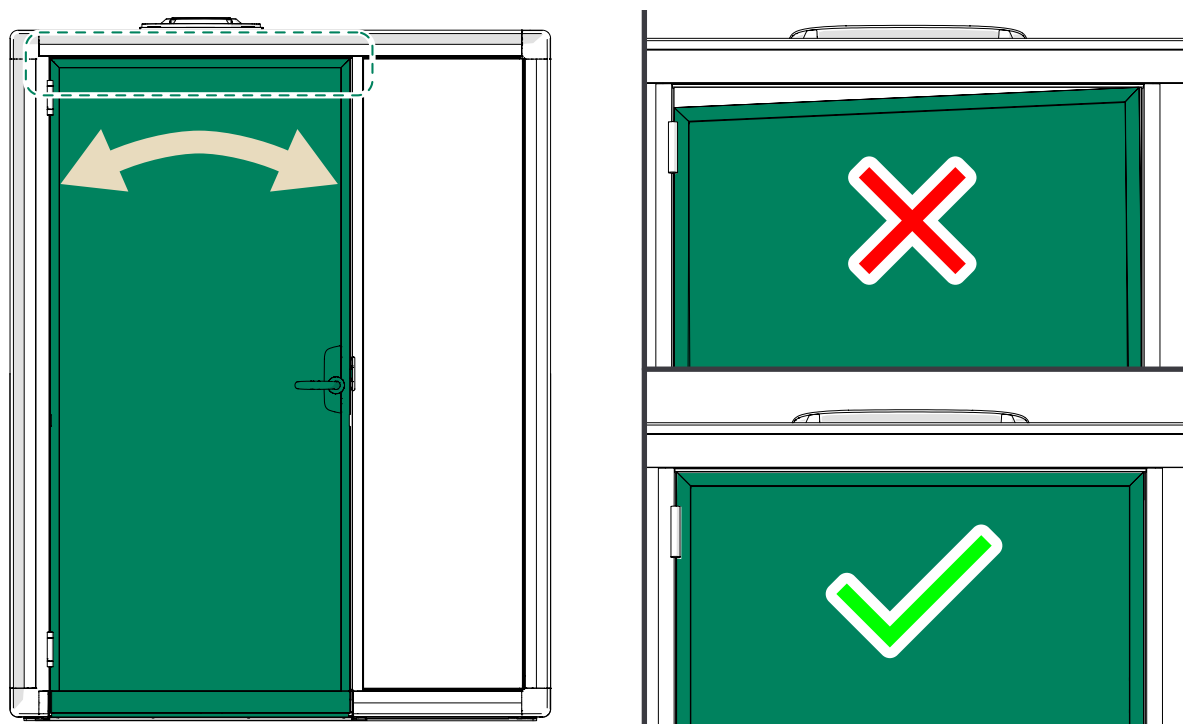
2.  **Note:** Open the door and make sure that it does not scratch the floor.




3.  **Note:** Open the door and make sure that it does not scratch the pod threshold.



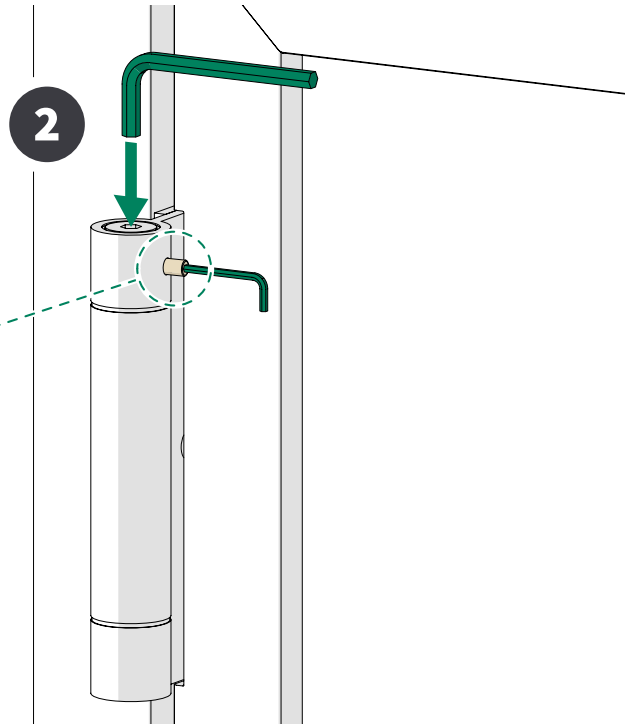
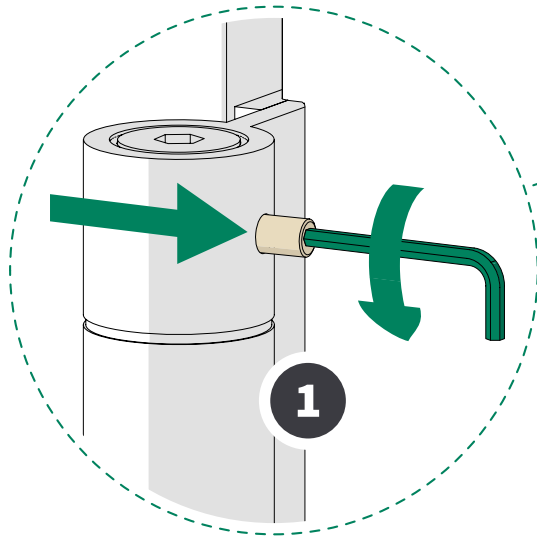
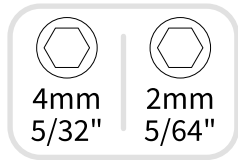
4.  **Note:** Open the door and make sure that it does not scratch the upper frame.



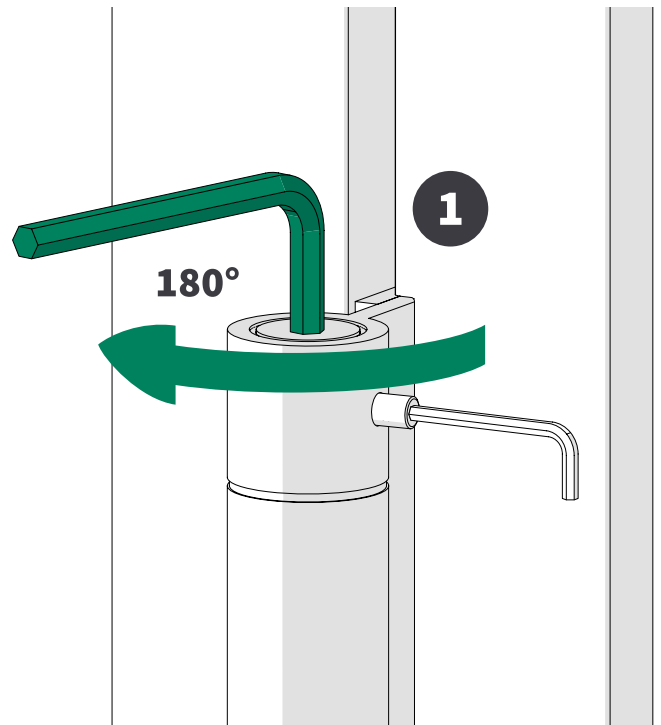
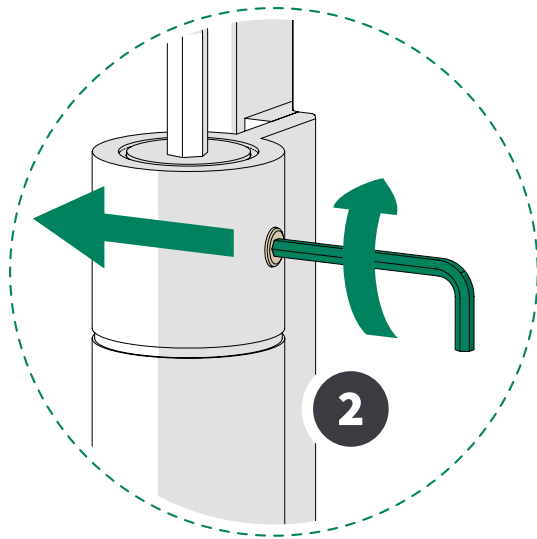
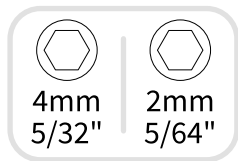
4.6 Adjust the door closing speed

-  **Note:** Make sure that you adjust both hinges to the same setting.

1.



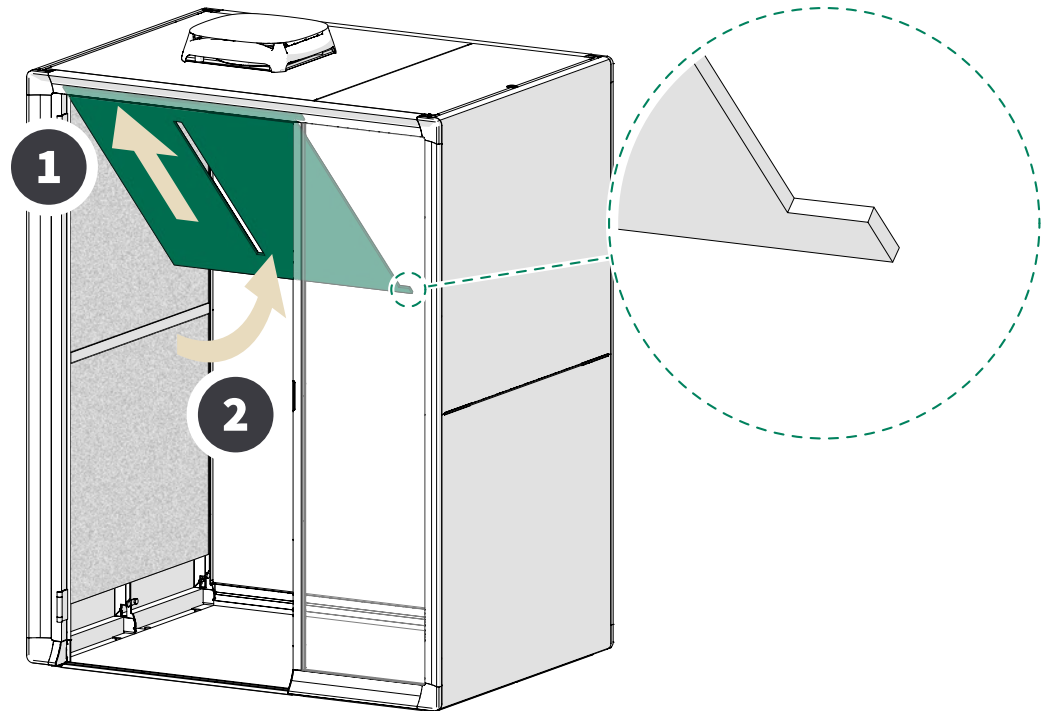
2.



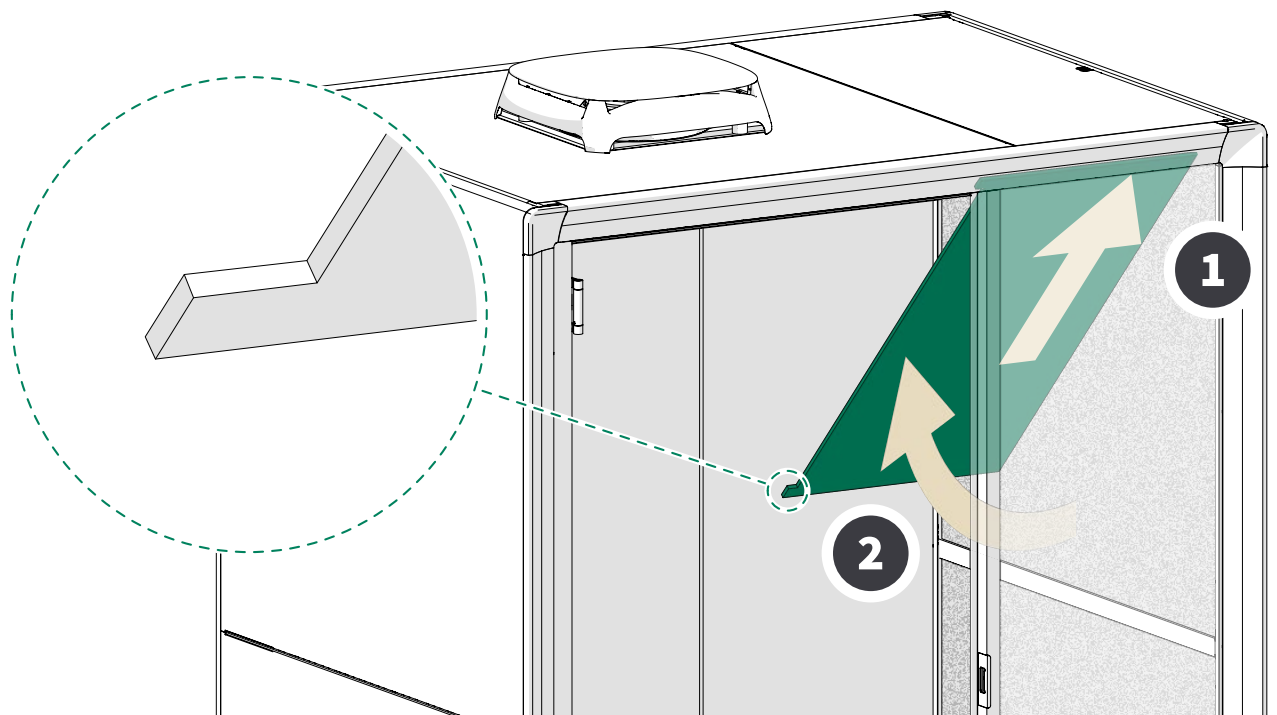
5 Interior

5.1 Install the ceiling interior panels

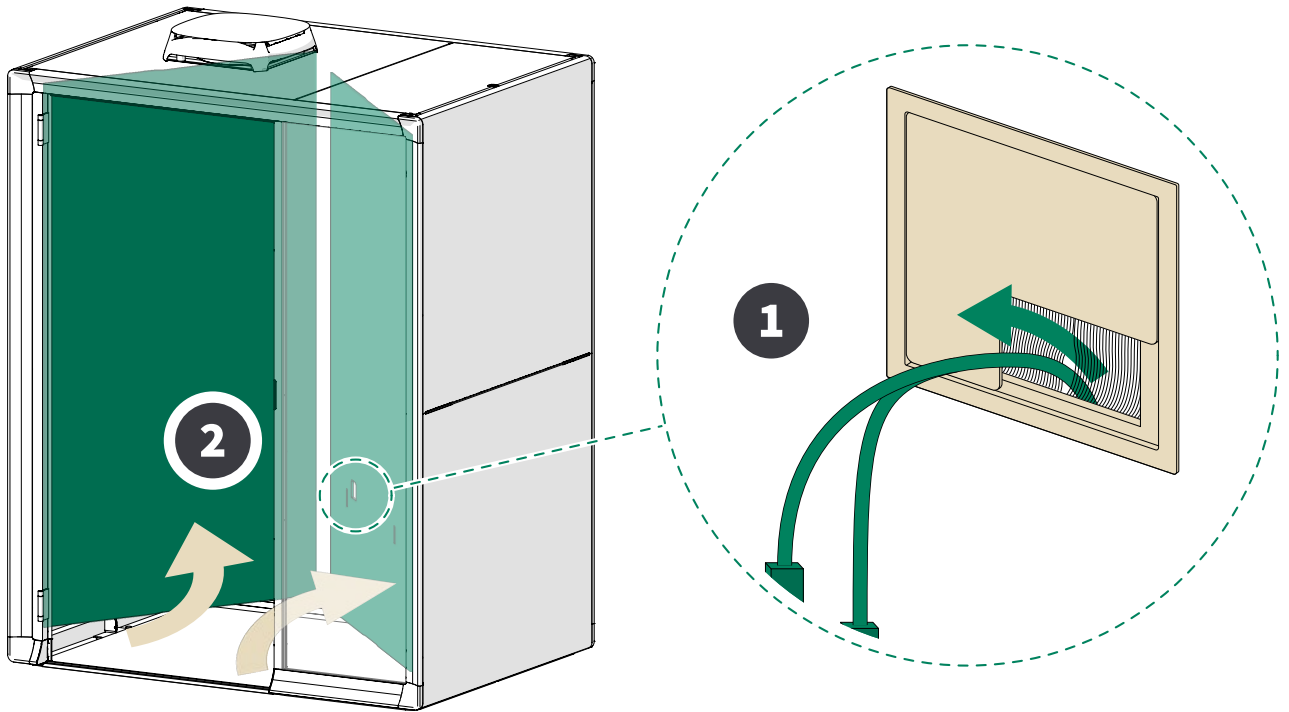
1.



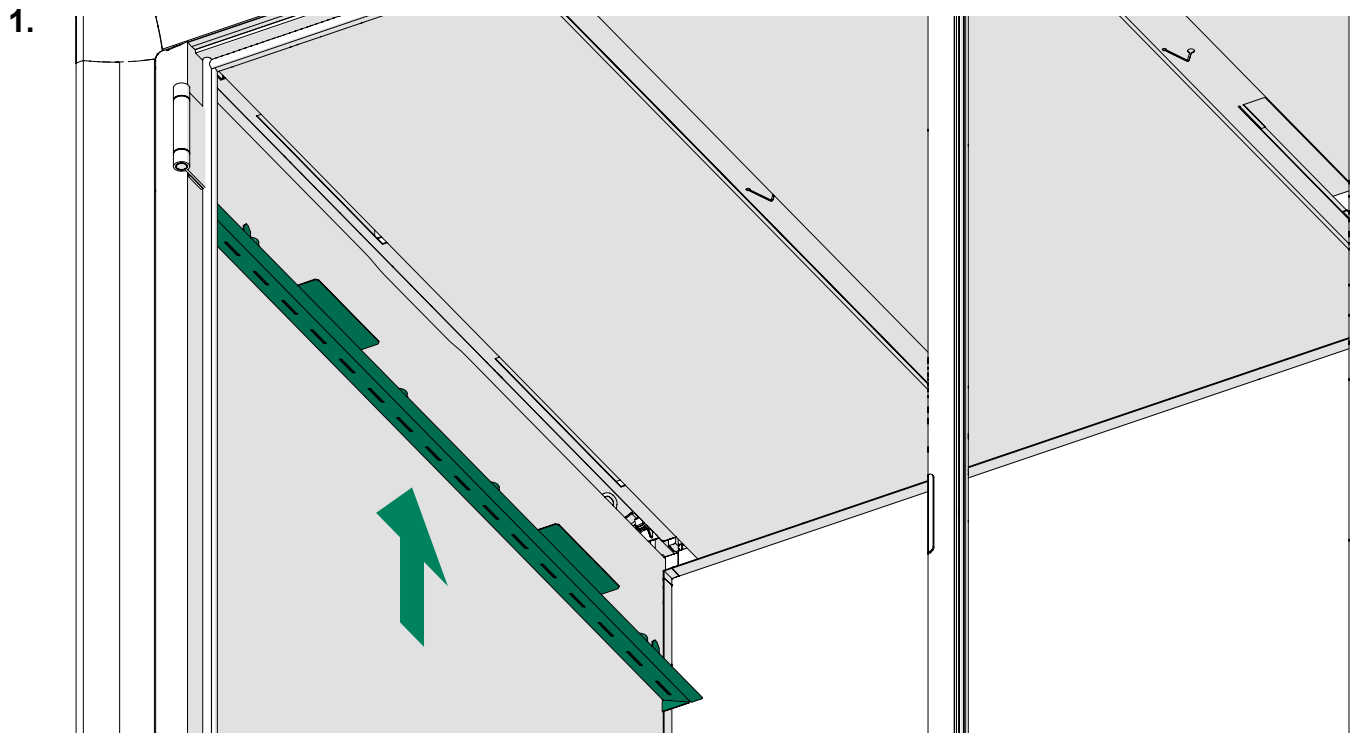
2.



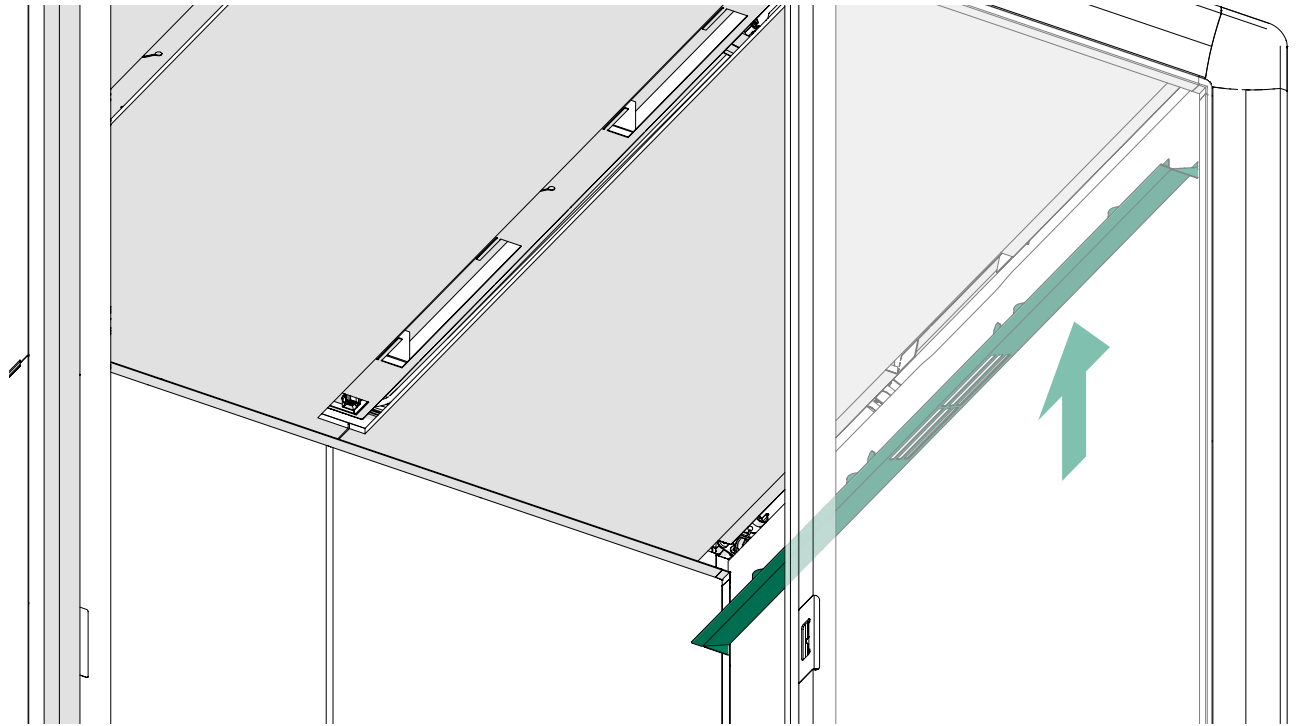
5.2 Install the wall interior panels



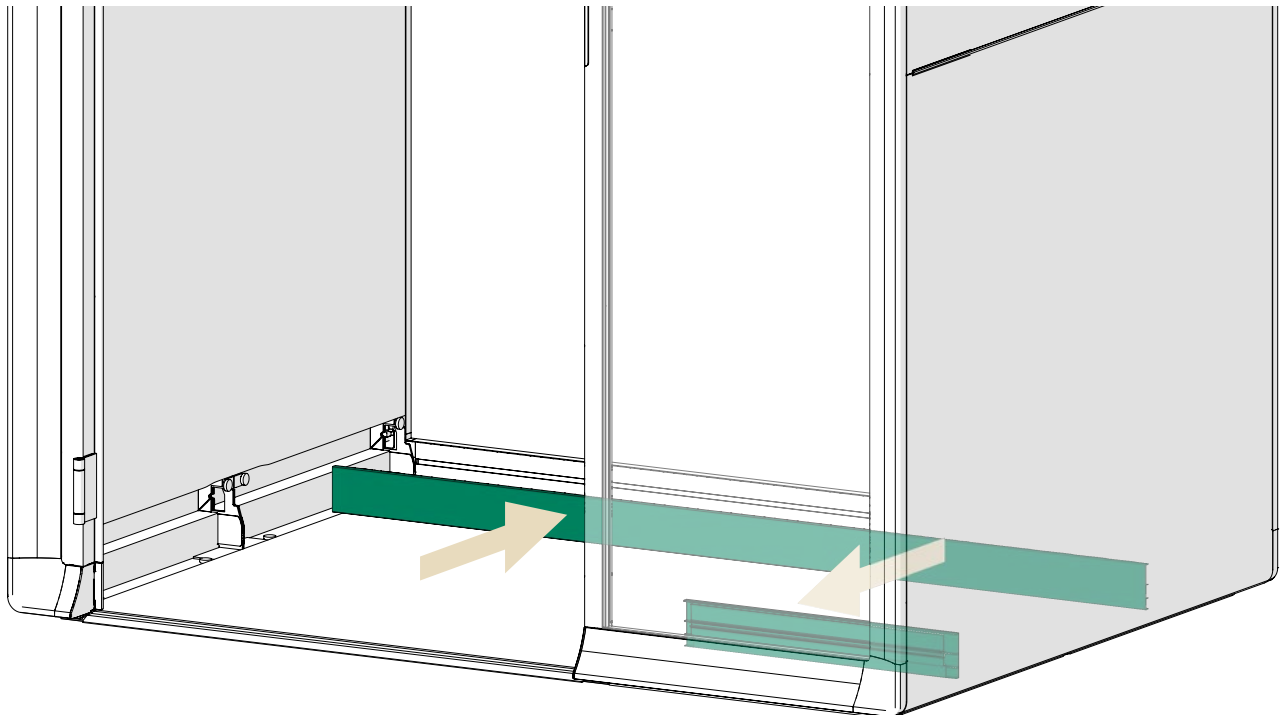
5.3 Install the air vents



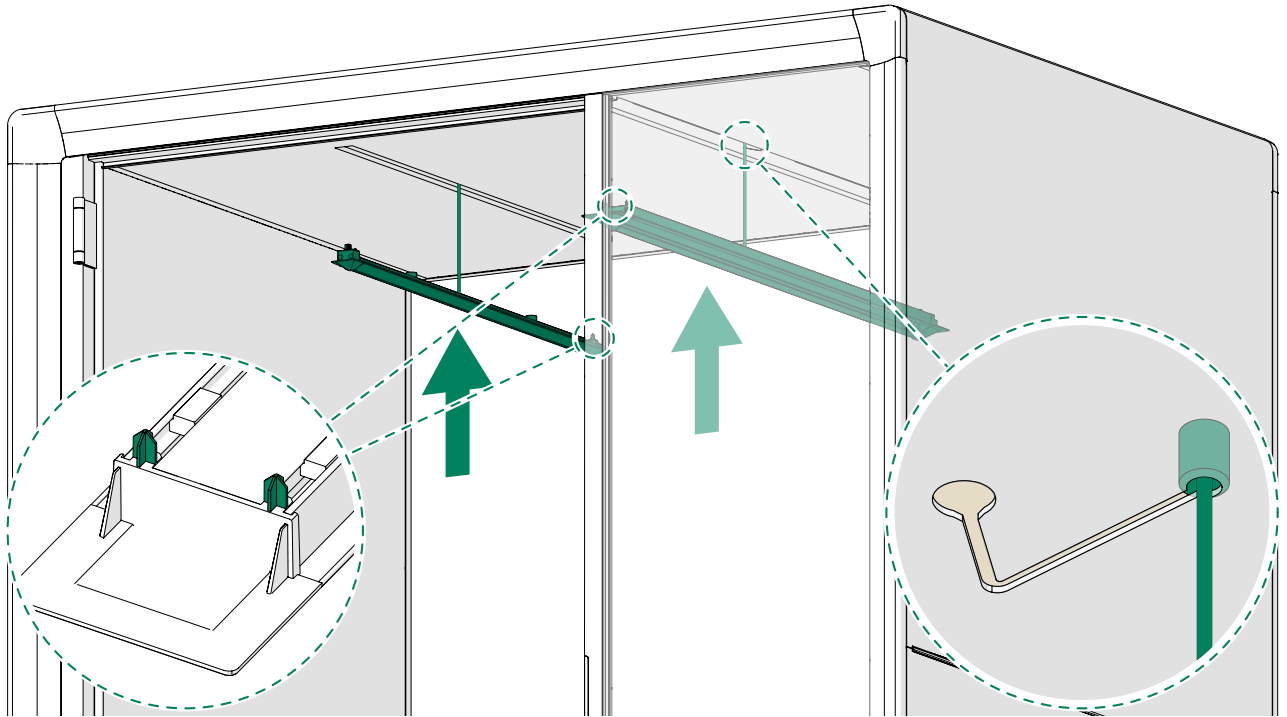
2.



5.4 Install the cable channels

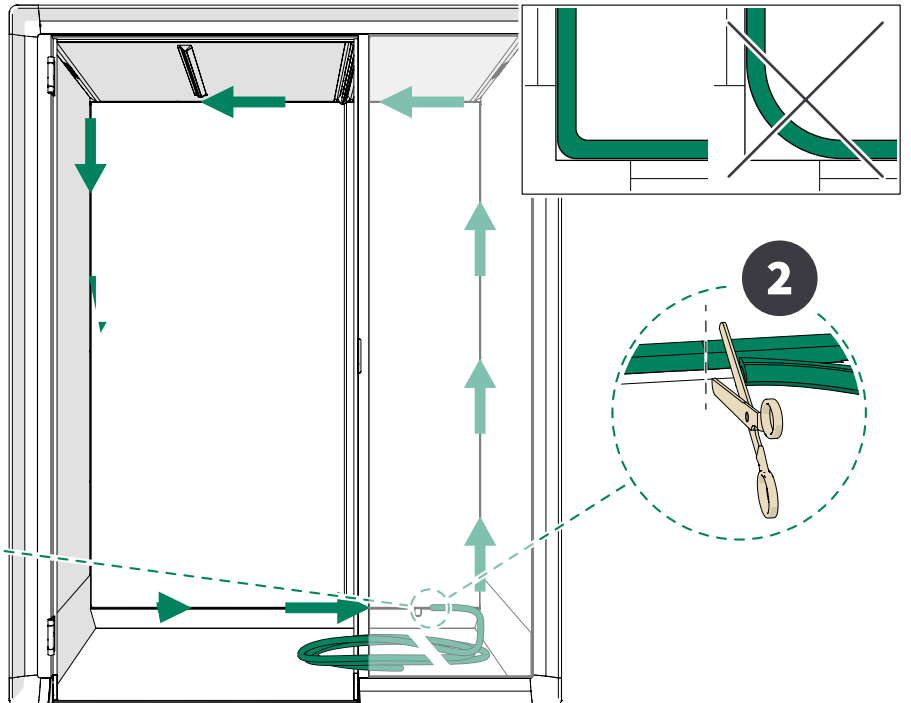
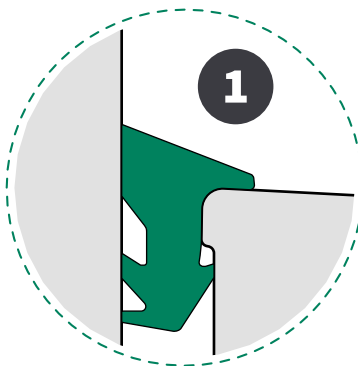


5.5 Install the ceiling lights

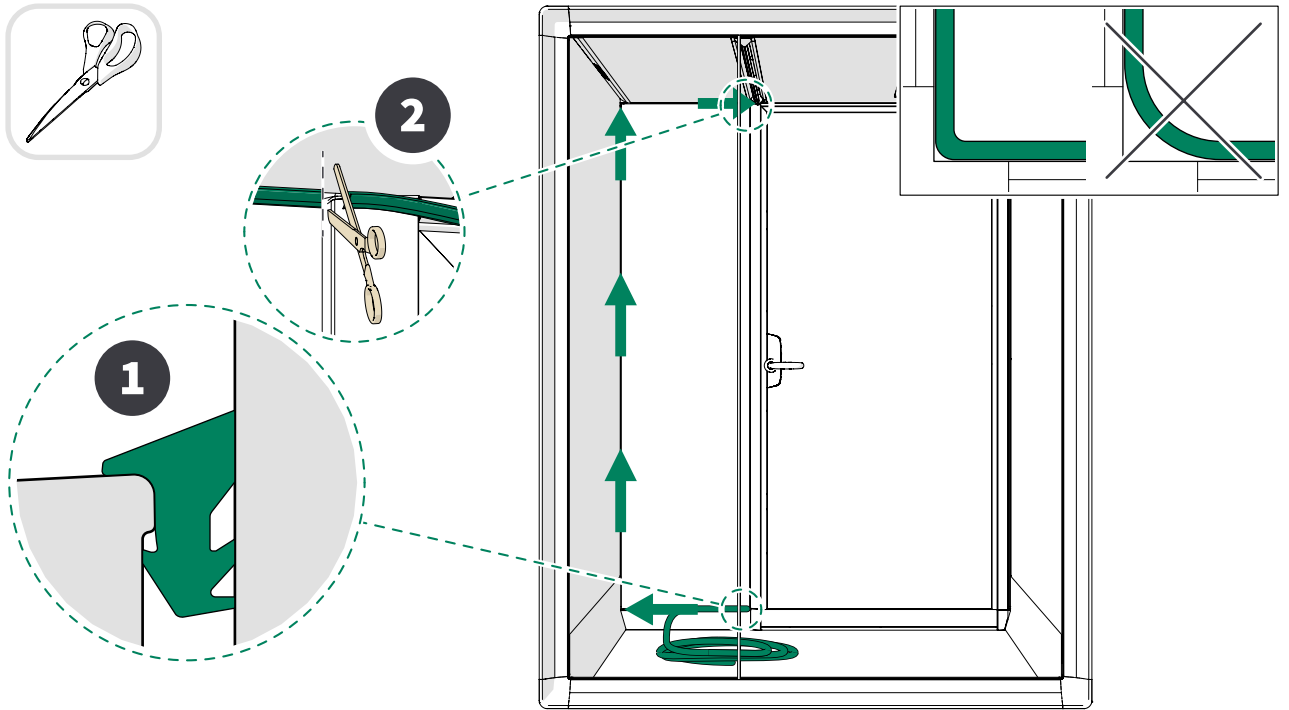


5.6 Install the gaskets

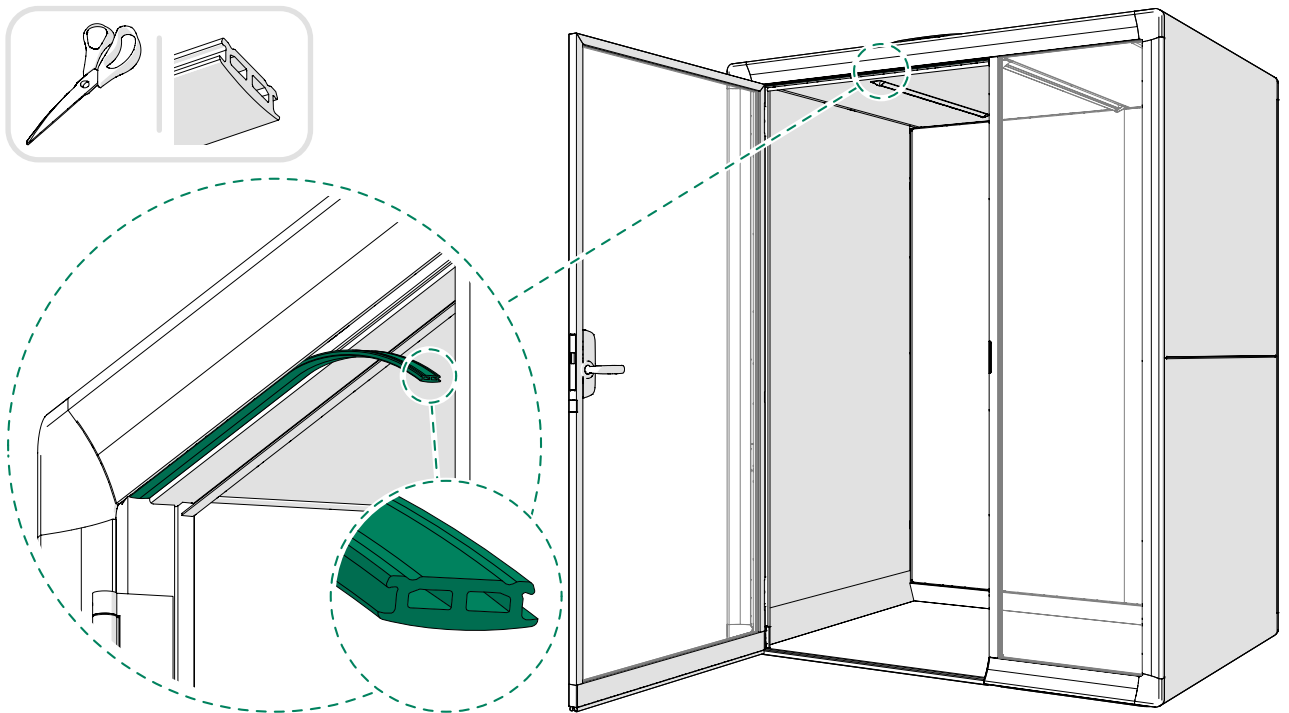
1.



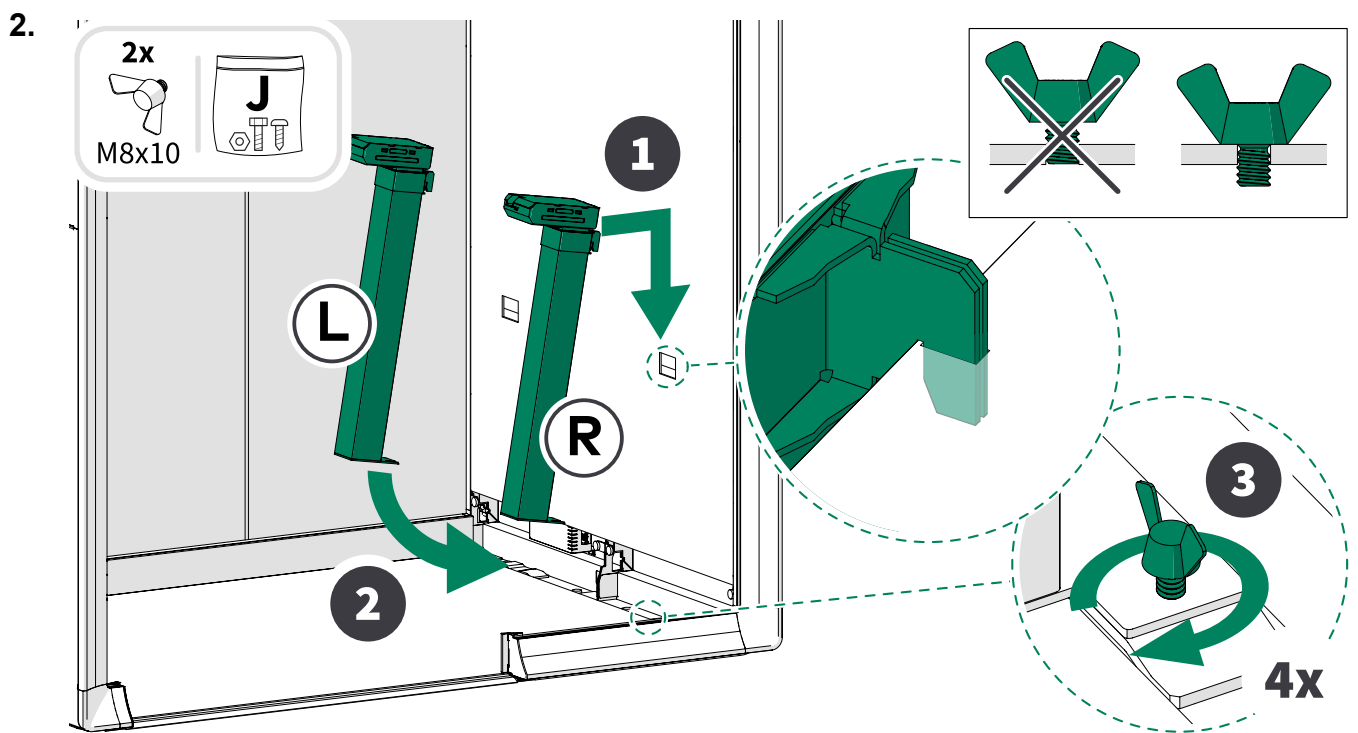
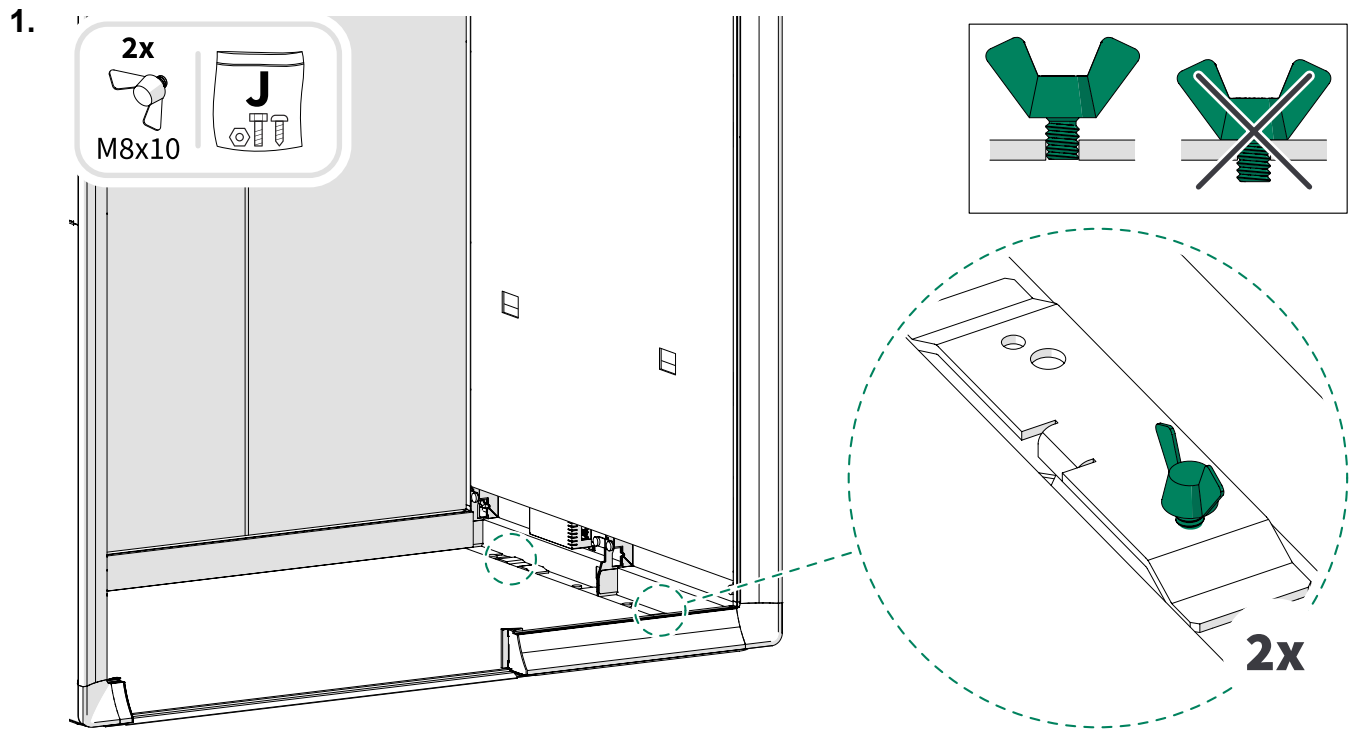
2.



3.

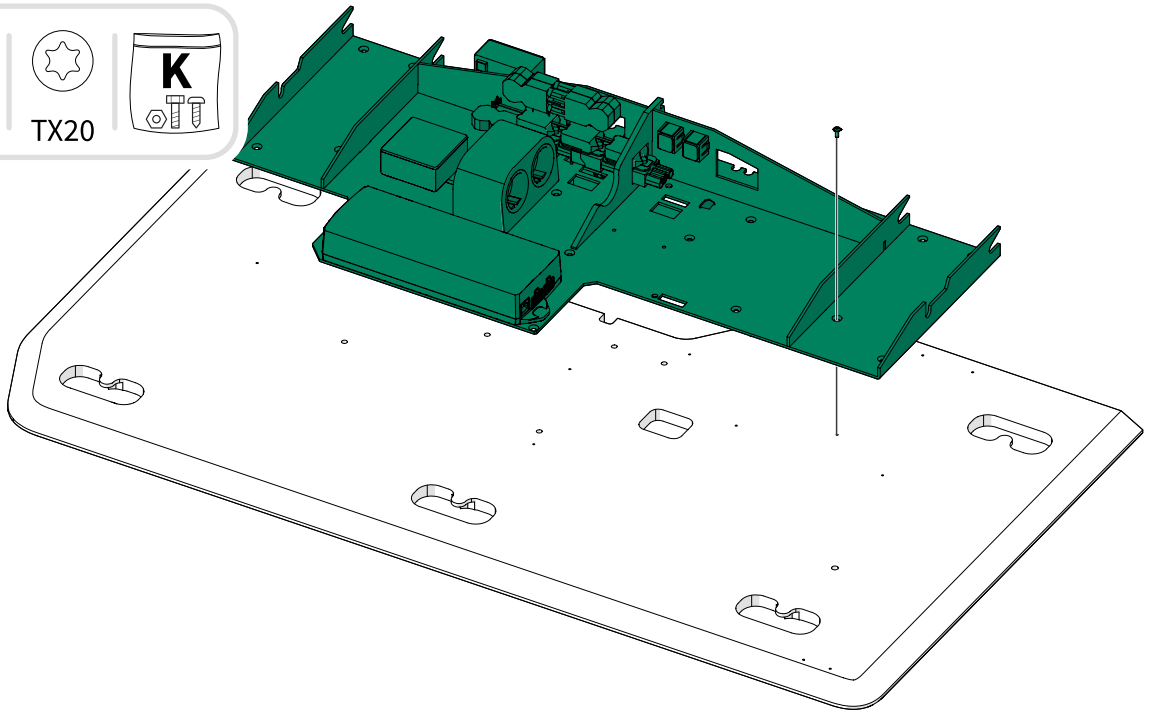


5.7 Install the table legs

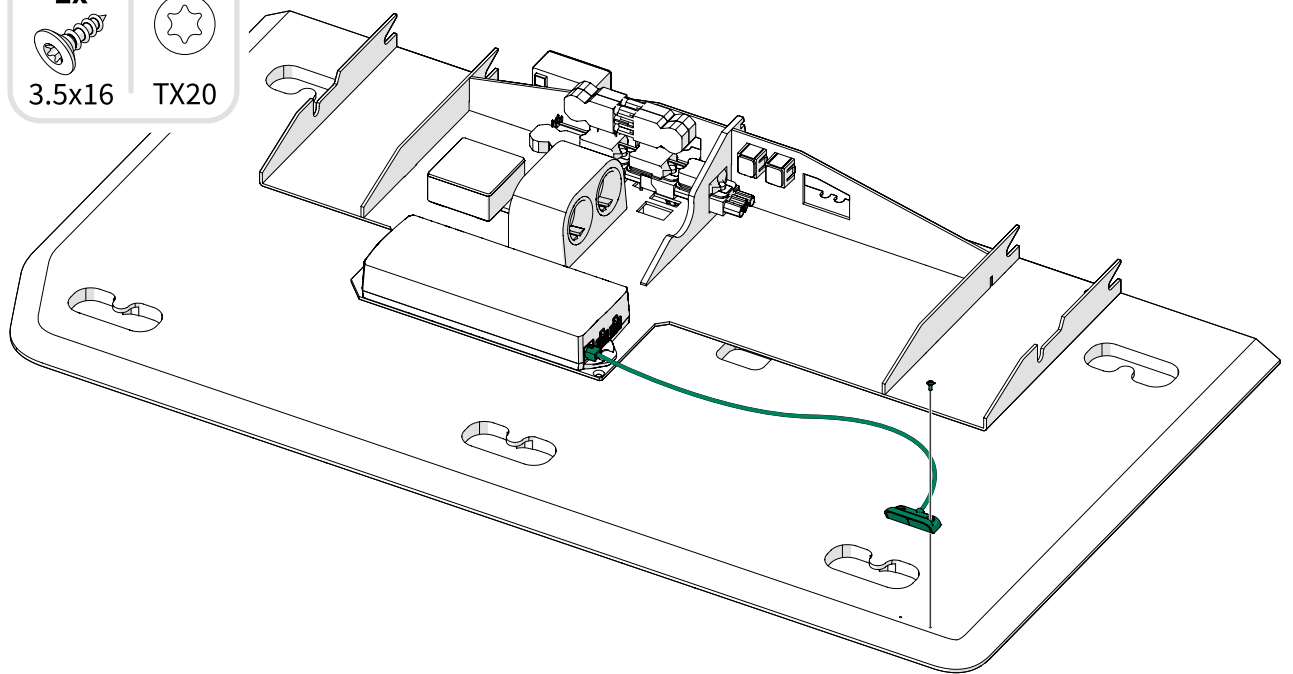
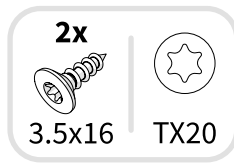


Install the table chassis

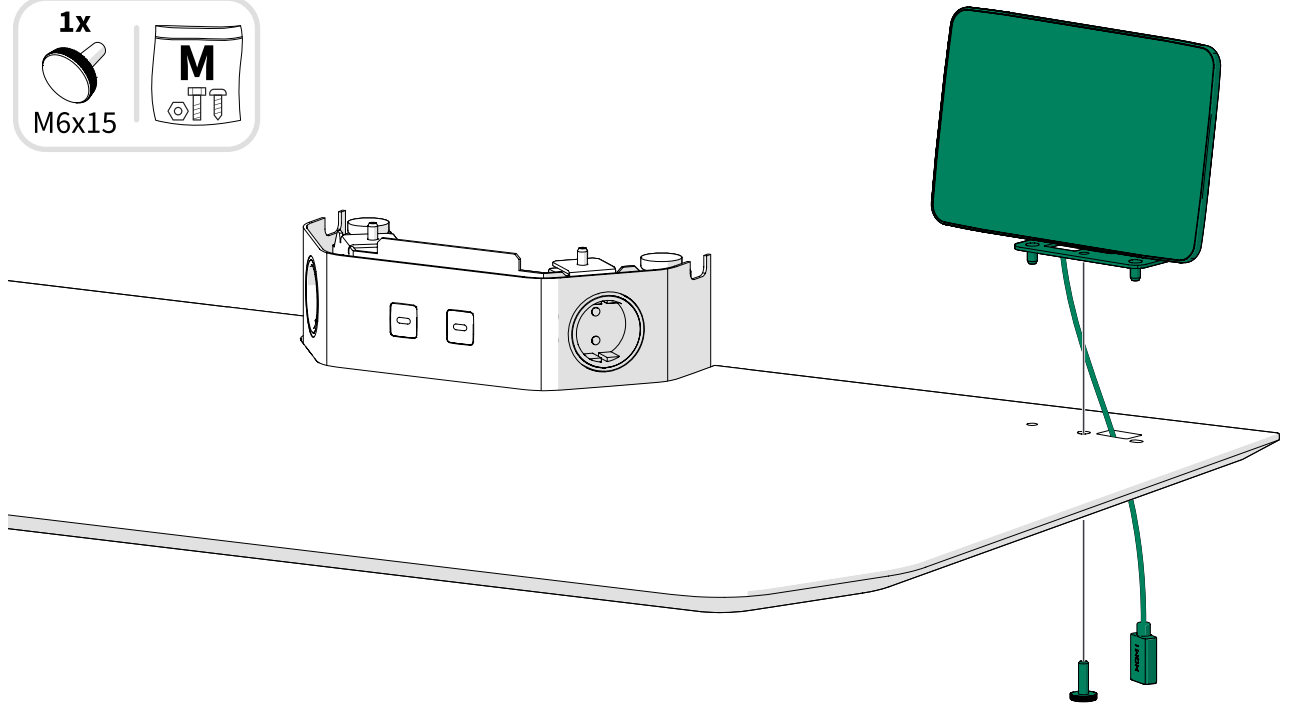
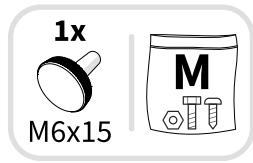
1.



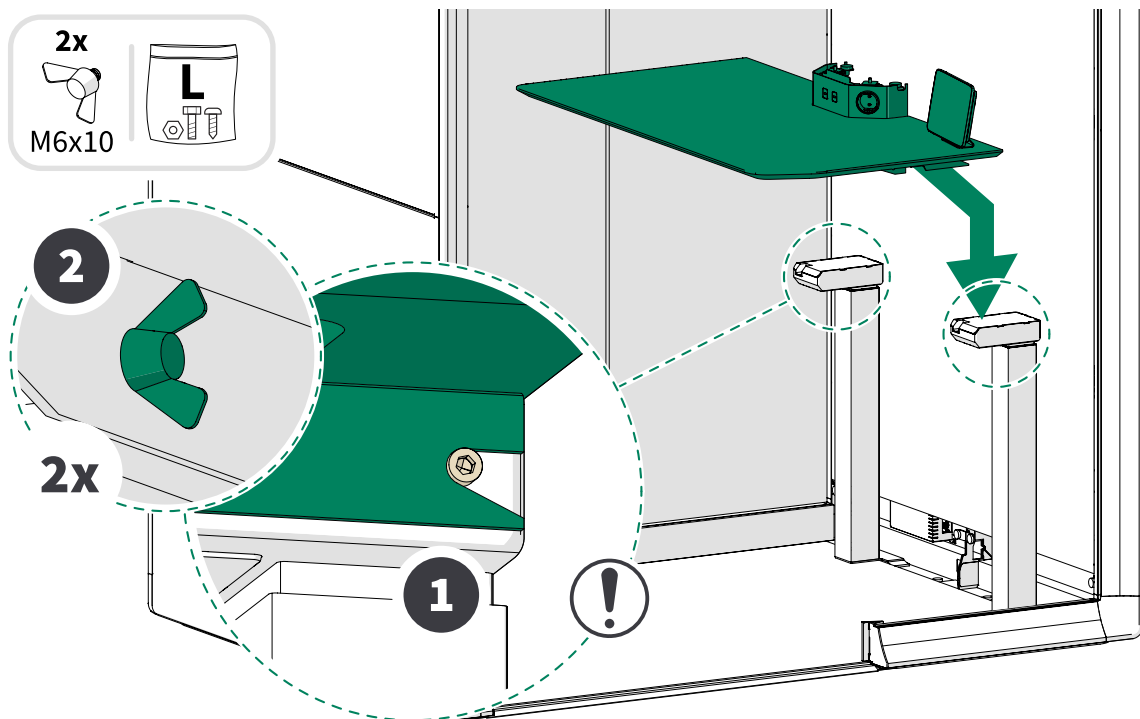
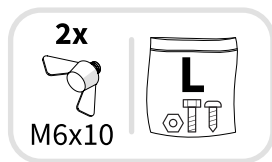
2.



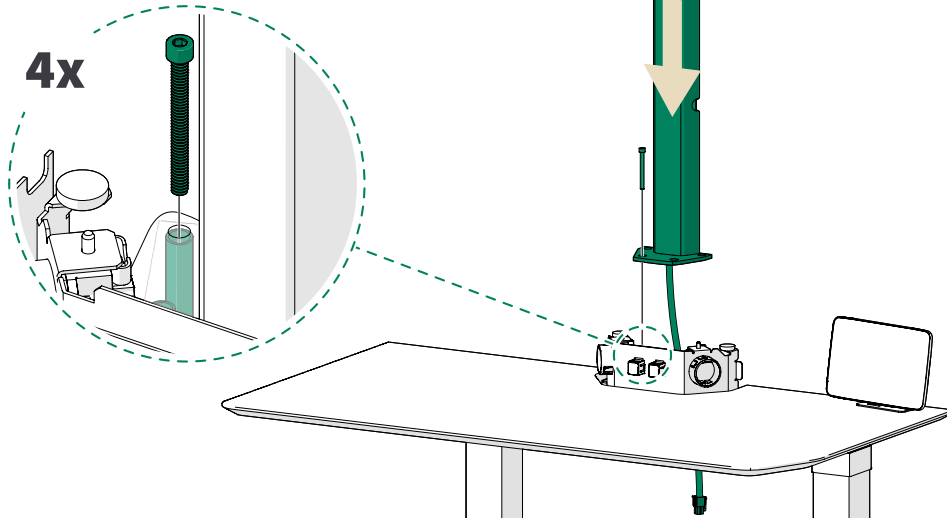
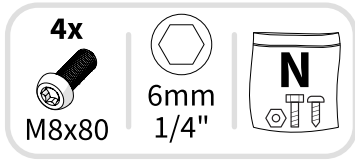
Install the touchscreen



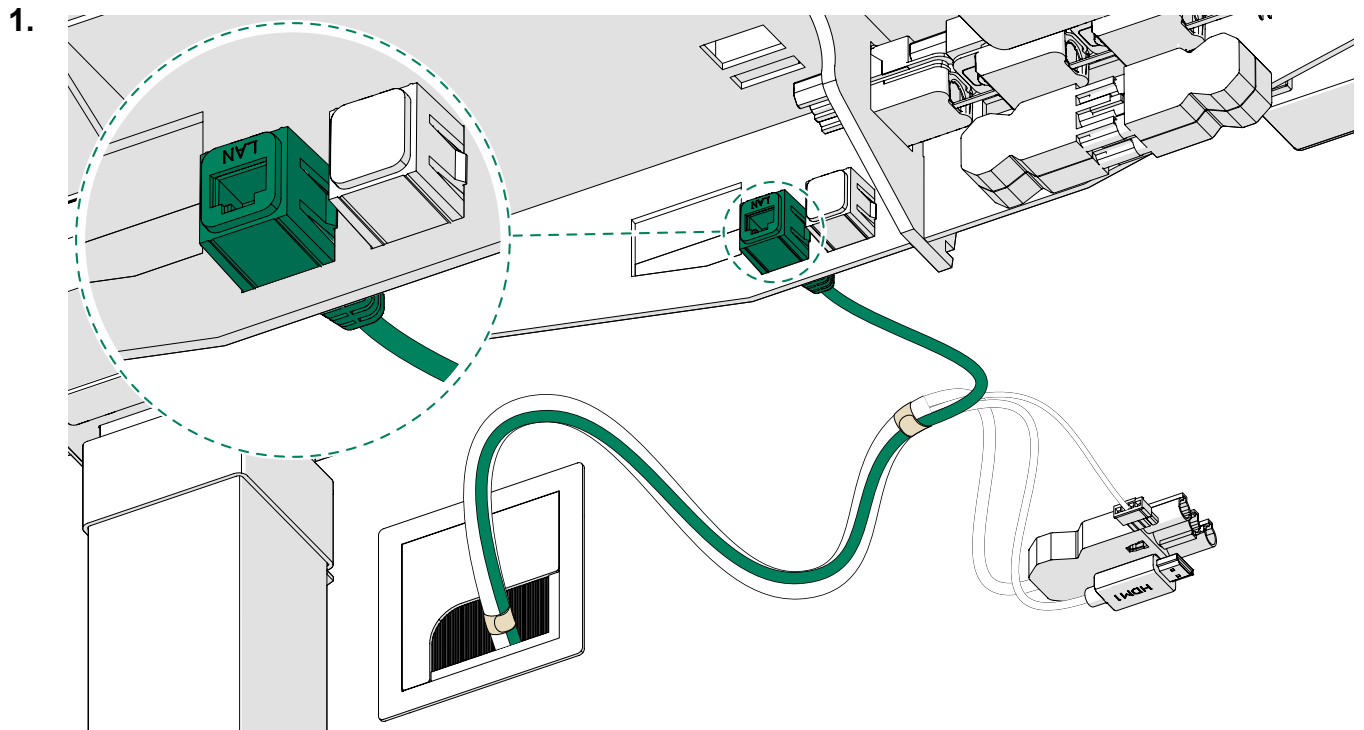
Install the table top



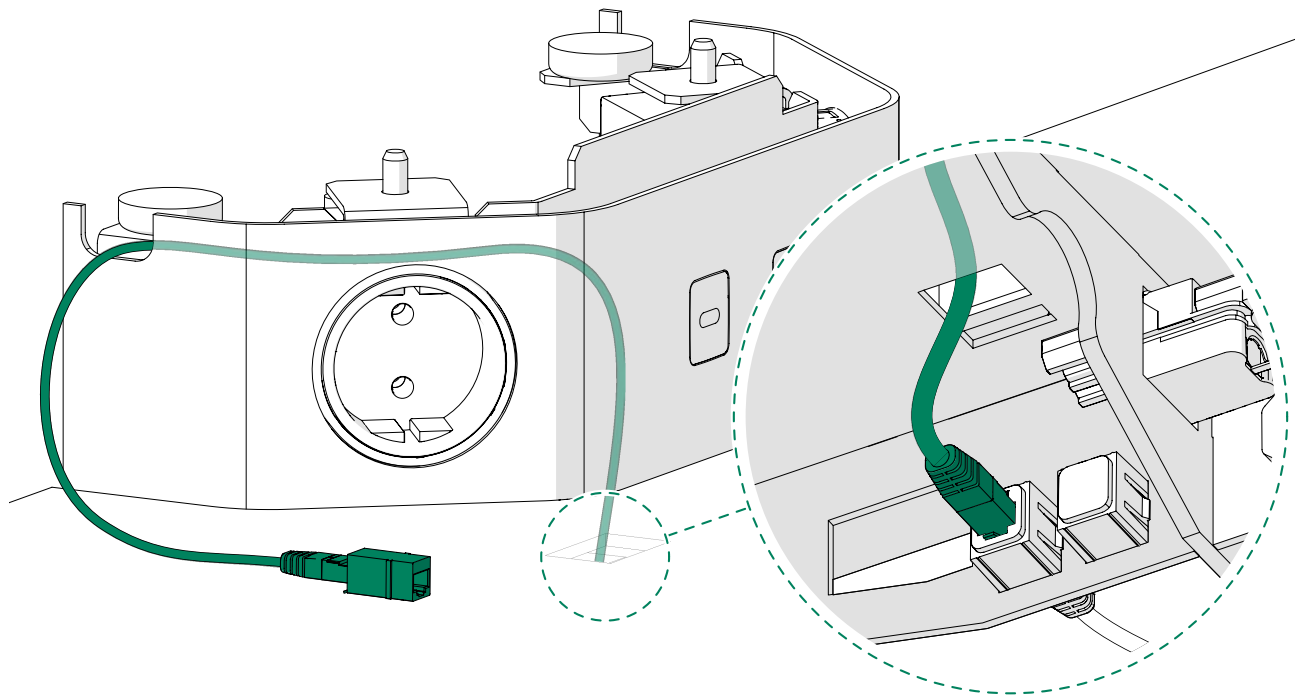
Install the monitor pole



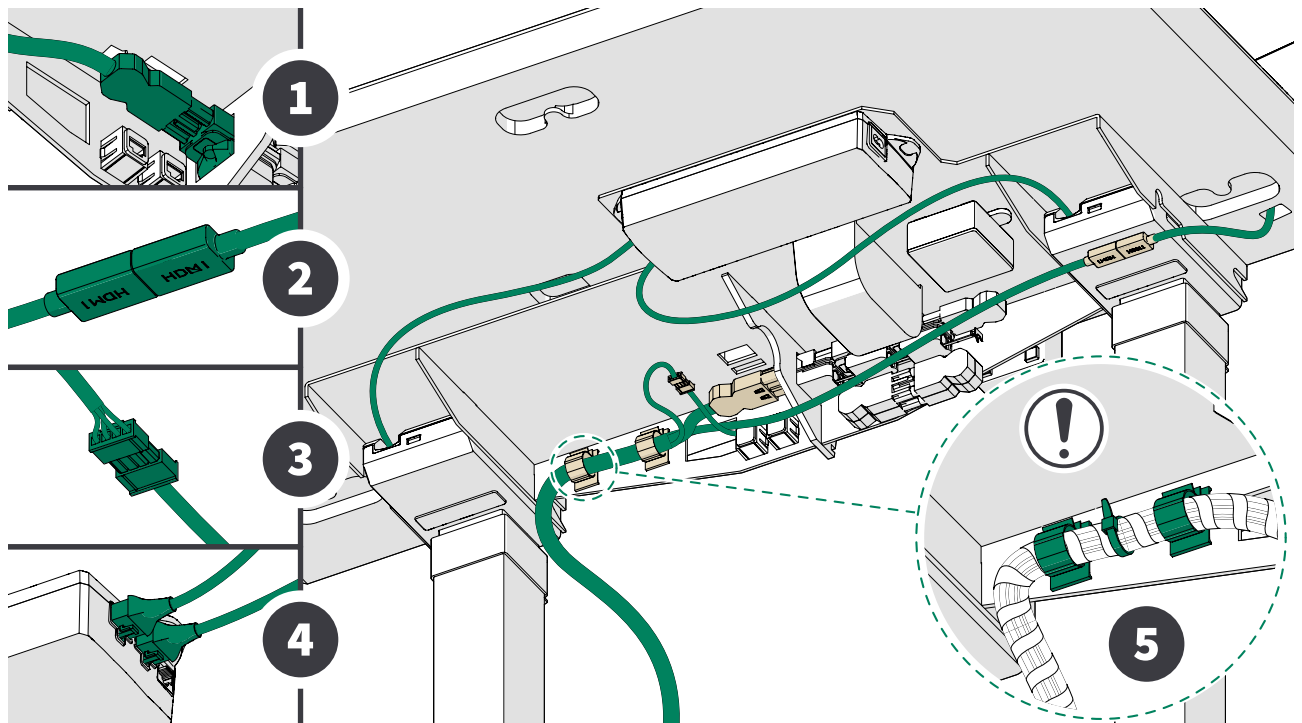
Install the LAN cable and port (optional)



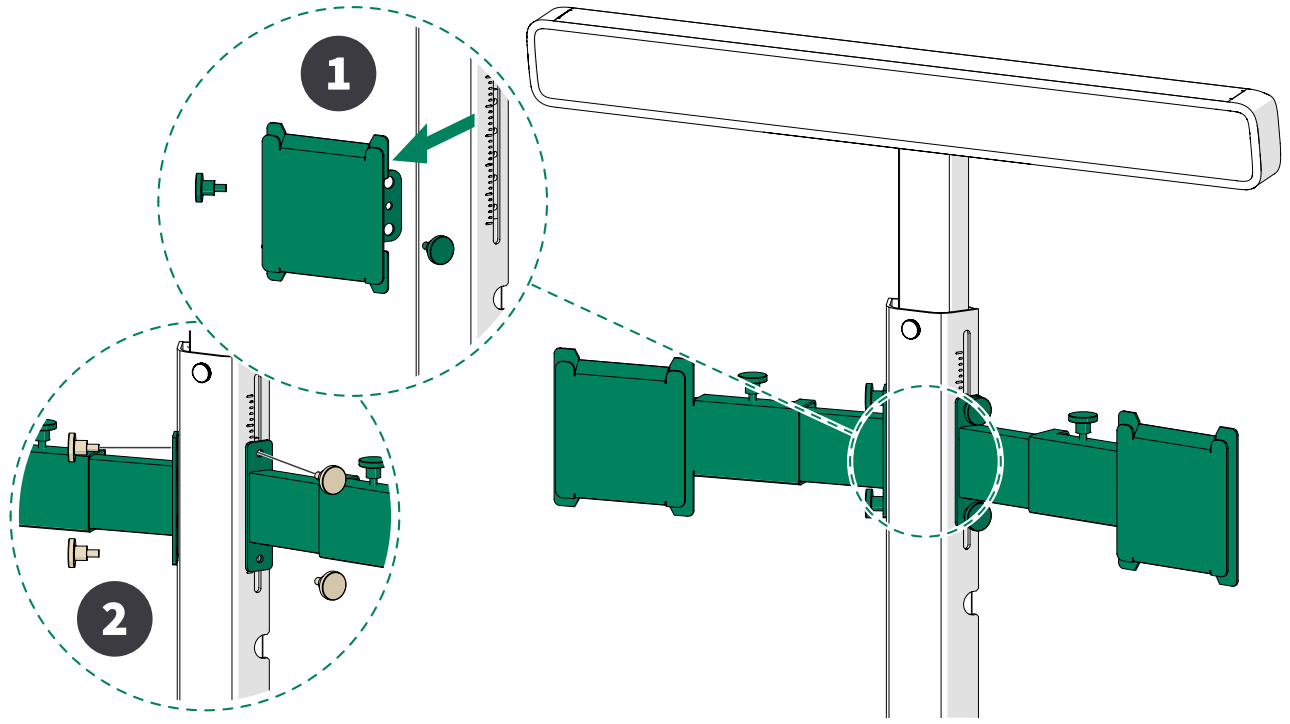
2.



Connect the table electrics

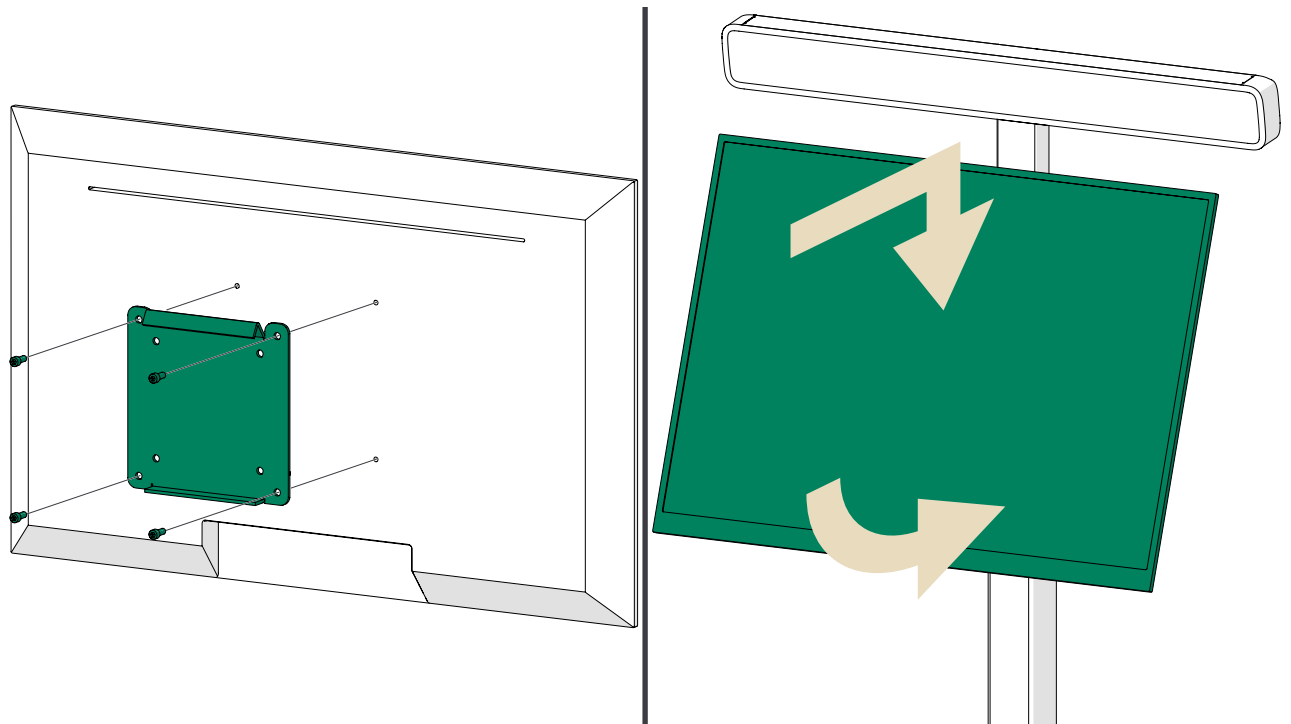


Two monitor holders (optional)

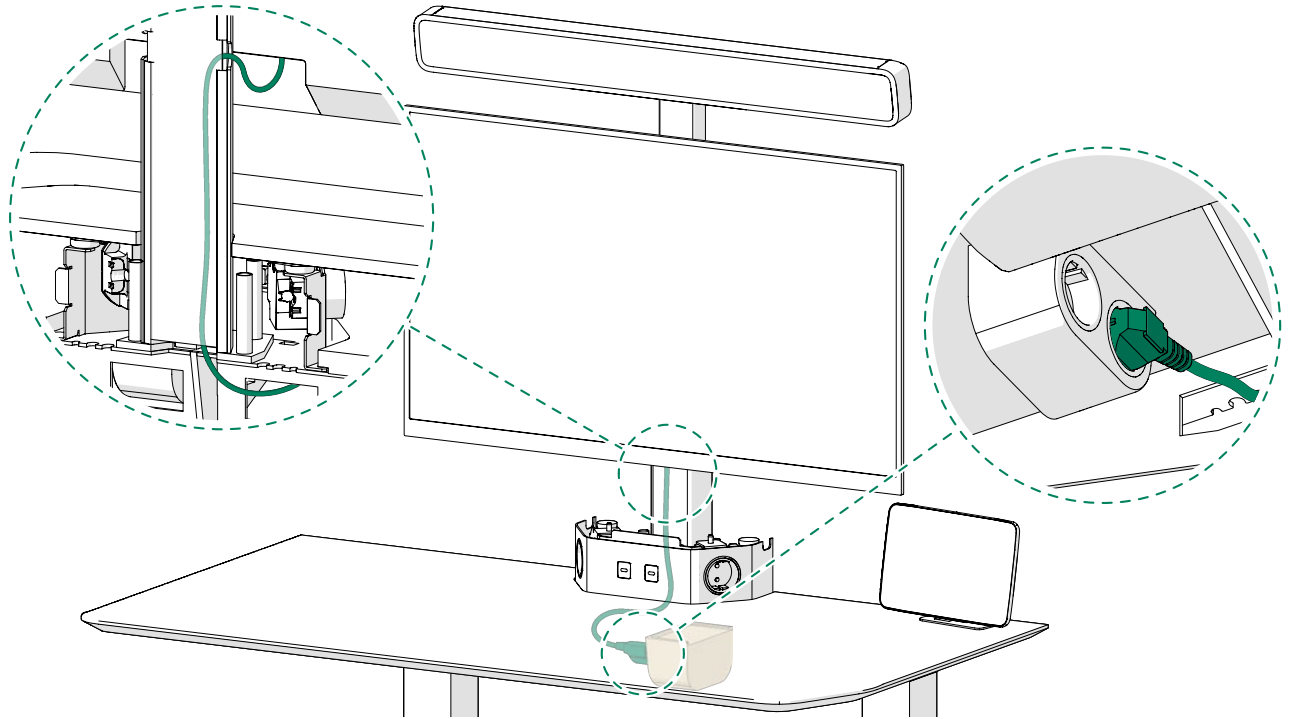


Install the monitor

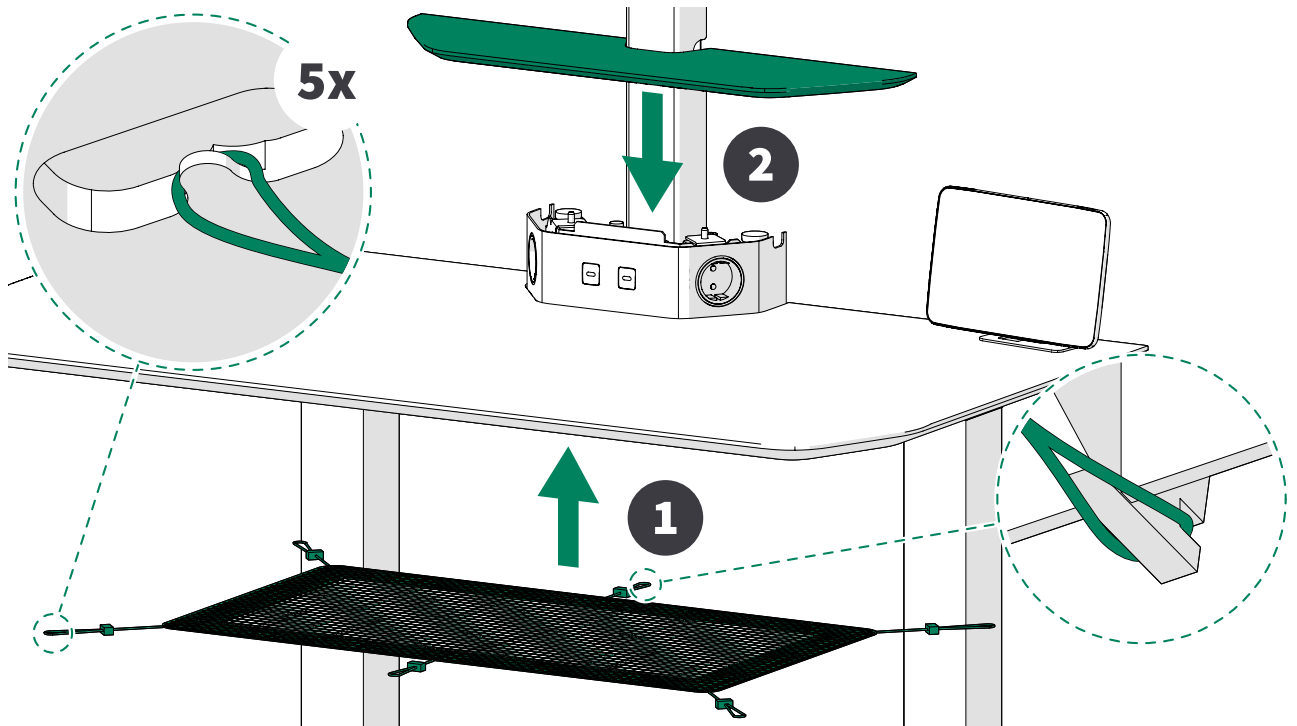
1.



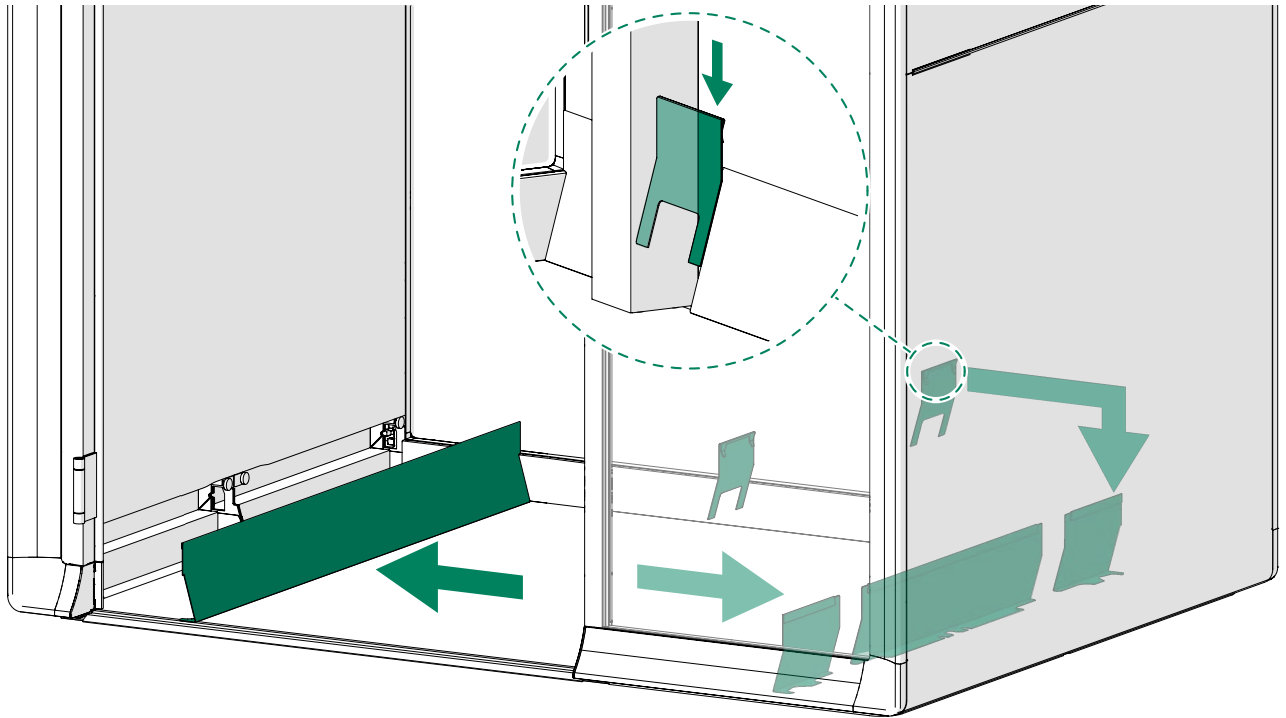
2.



Install the cable net

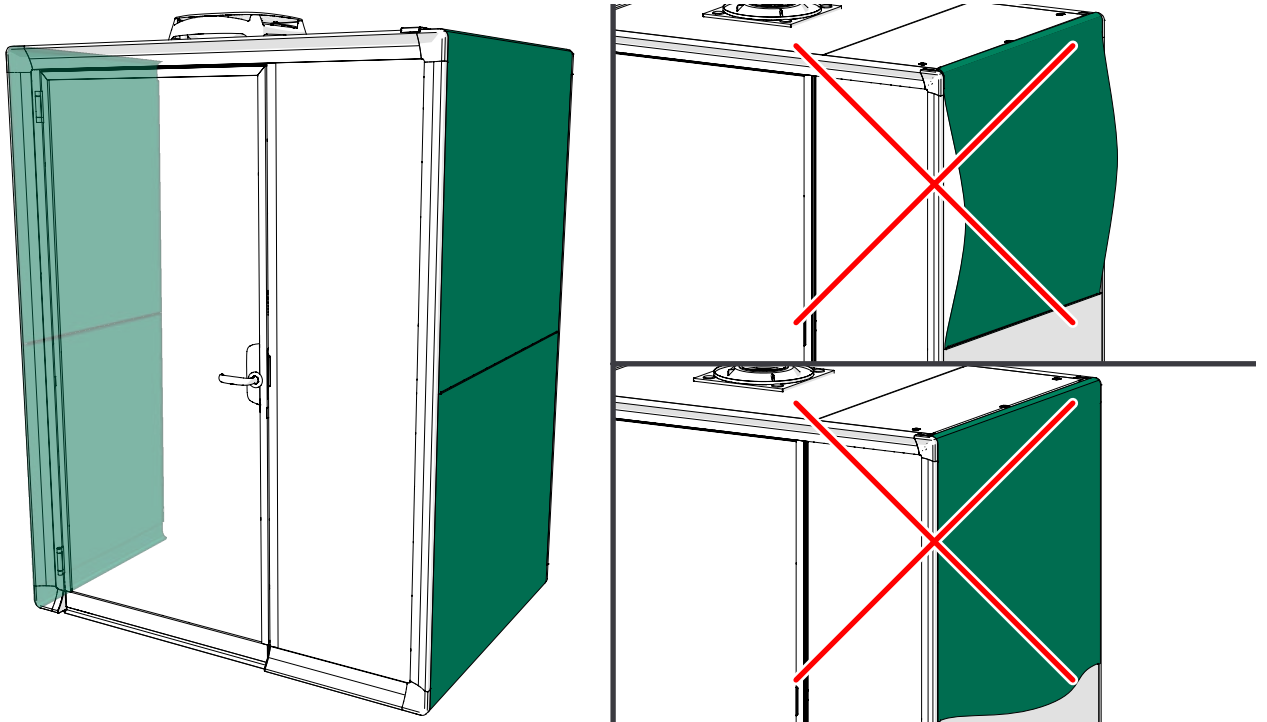


5.8 Install the kickboards

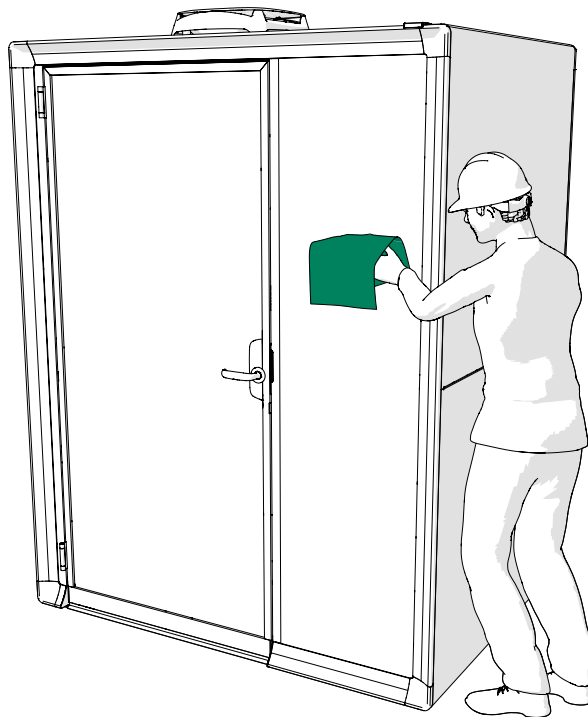


6 Finalize the installation

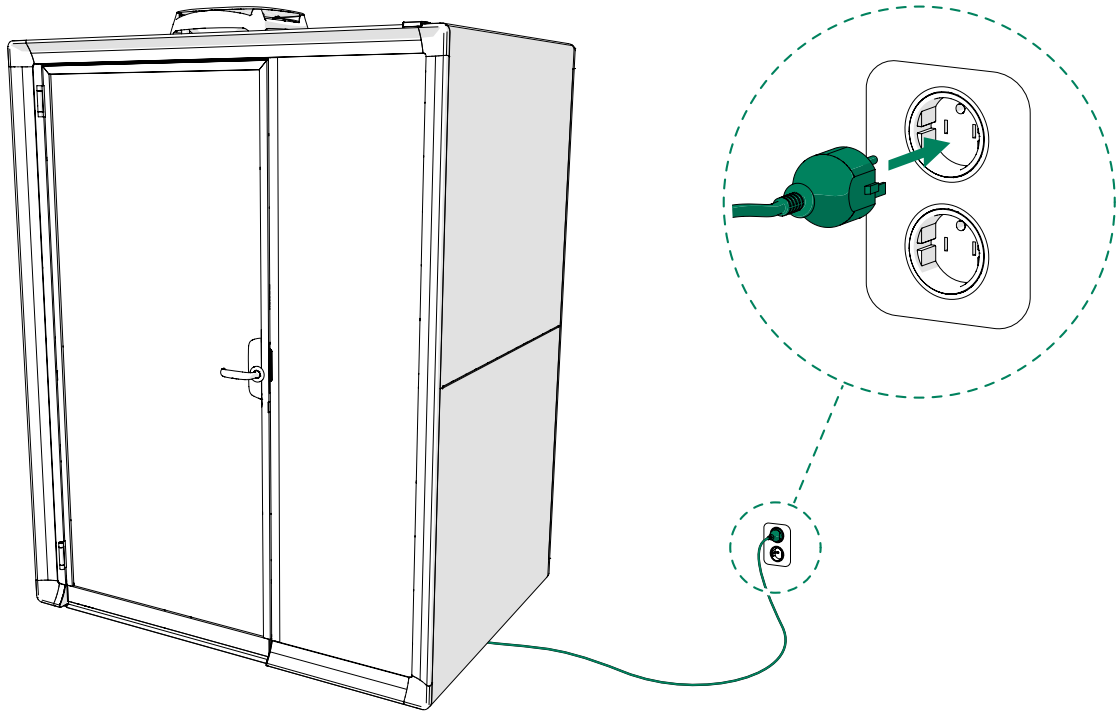
1. Check the exterior panels.




2. Clean the glasses with window cleaner.



3. Connect the pod to a power outlet and connect the LAN cable.



4. Scan the QR code on the touchscreen to open the installation report.




DO NOT UNPLUG

Setup in progress

1. Automatic testing for lights, fans and screen
2. Do not unplug if screen turns off temporarily
3. Fill the installation report on **service.framery.com** or use the QR code
4. Finish setup by selecting pod type

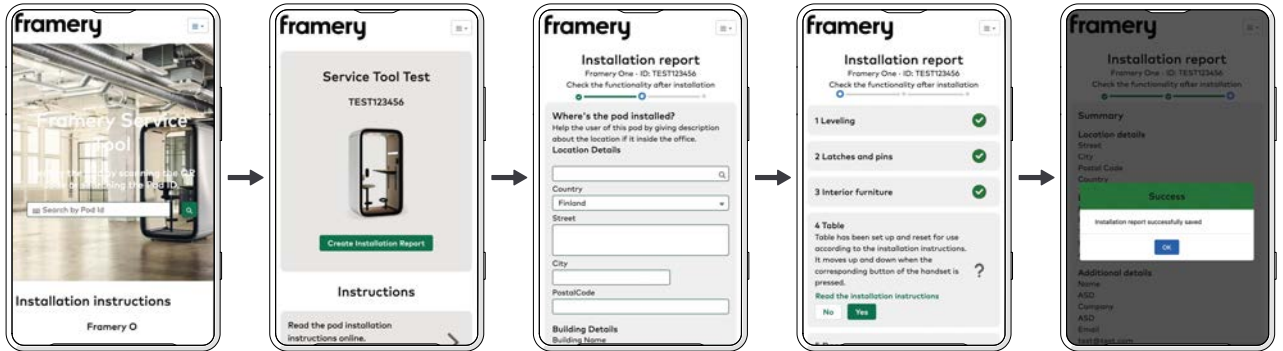
RUNNING TESTS - APPROX. 10 MIN. 33%



an to open **service.framery.com**

POD ID
N2A4B

- Follow the instructions in the Service Tool and fill out the installation report. The pod ID is displayed on the touchscreen during setup.

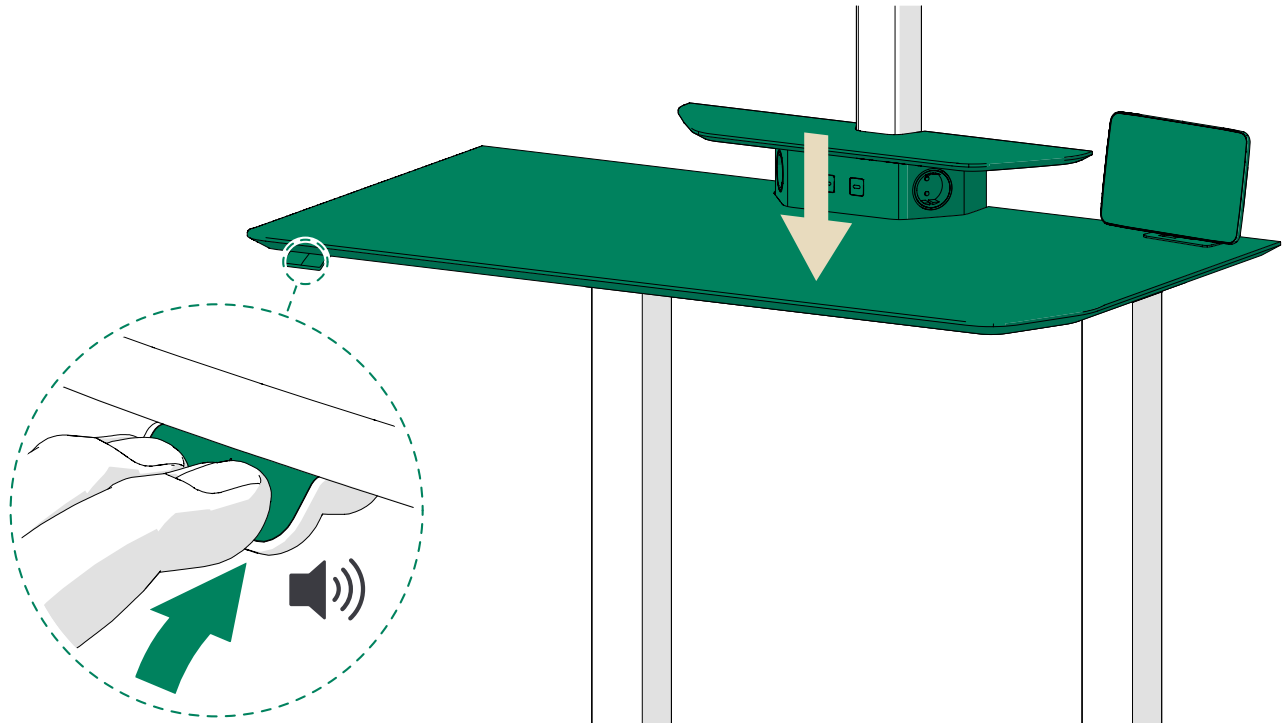


If the delivery includes a privacy film, leave it inside the pod for later installation.

7 Reset the table

- ⓘ **Note:** The table will move down during the setup procedure. Do not sit in the chair while performing the table setup.

Continuously press both buttons on the table handset until you hear an audible signal. When you hear the signal, the reset is completed and you can release the buttons.



framery

Framery Gradus Work

Installation instructions

Patamäenkatu 7

33900 Tampere

FINLAND

VAT: FI 23527139