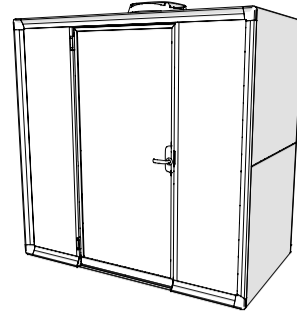


# Framery Gradus Huddle

## Quick Installation Guide

version A.1



INSTALLATION  
VIDEOS



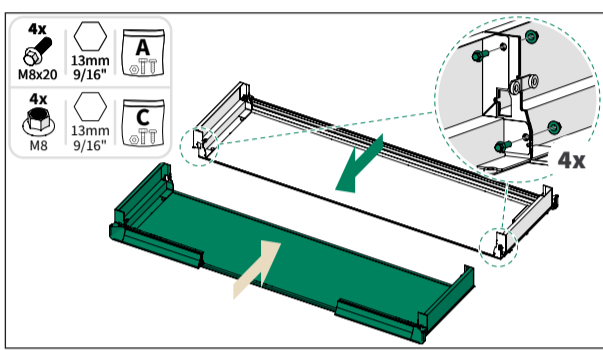
INSTALLATION  
INSTRUCTIONS

 SCREWS AND BOLTS ARE IN THE FASTENERS AND ACCESSORIES 1 BOX.

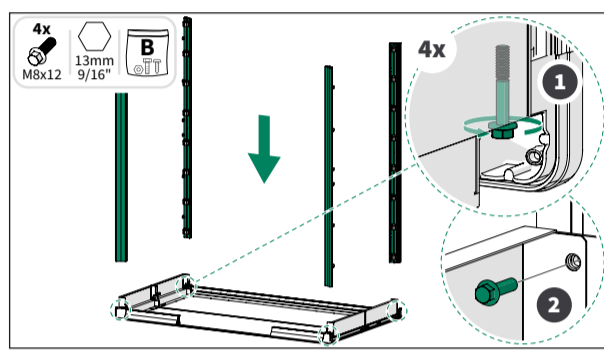
 INSTALLATION STEPS MARKED WITH THIS SYMBOL ARE OPTIONAL.

### 1. CHASSIS

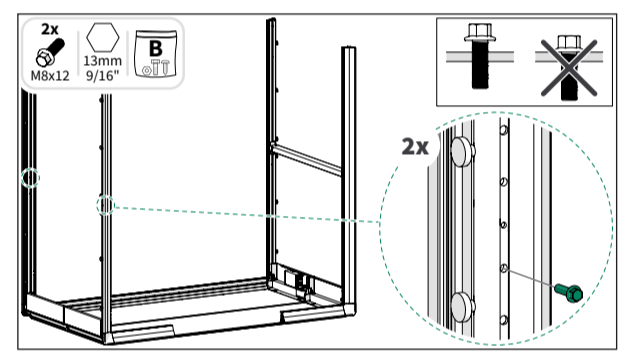
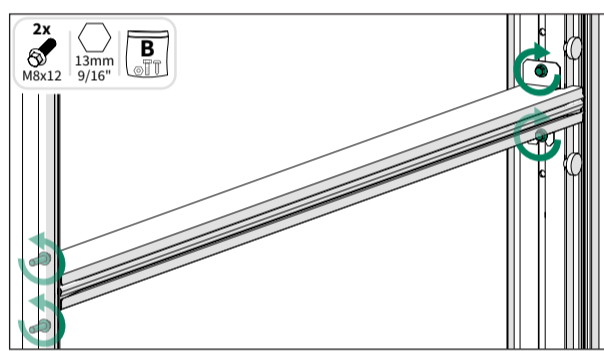
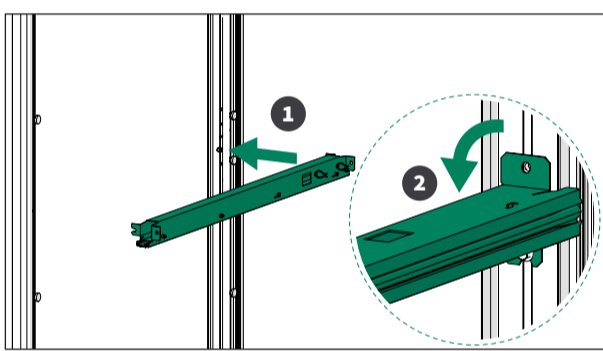
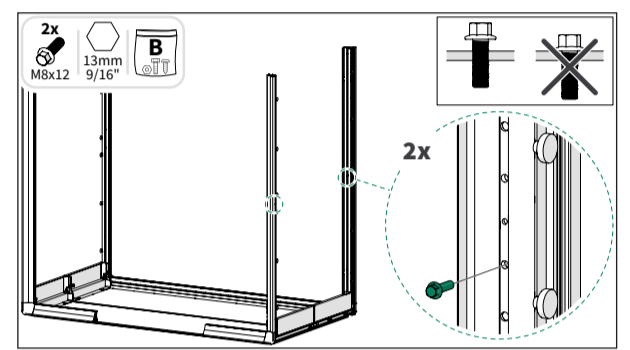
#### 1.1 Floor modules



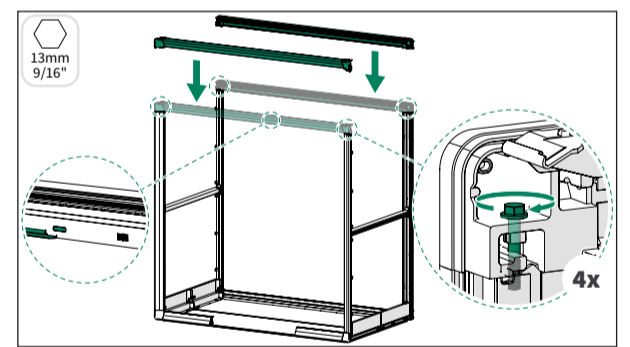
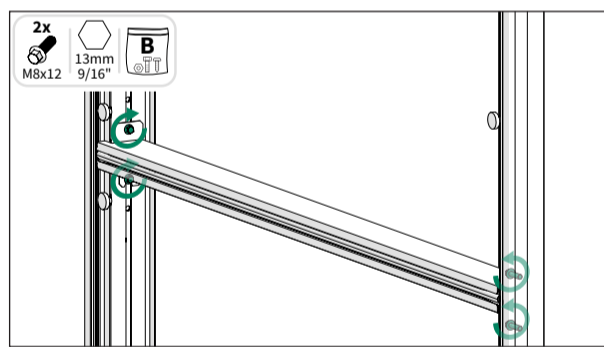
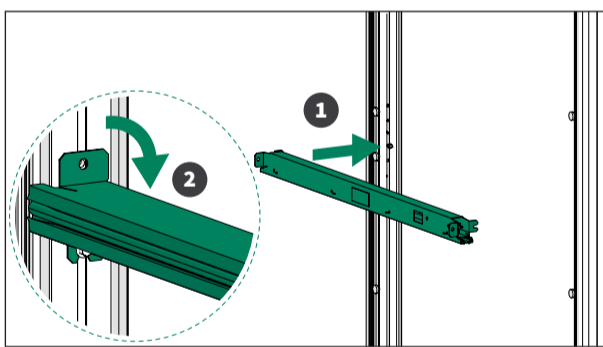
#### 1.2 Vertical frames



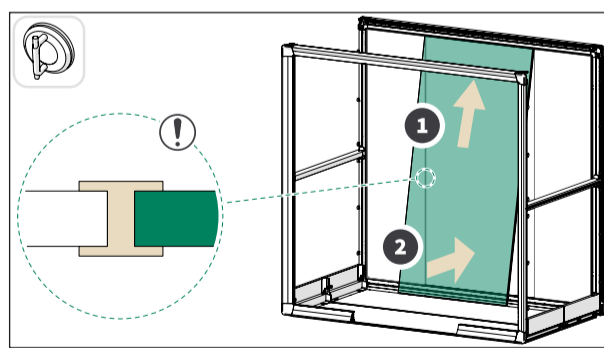
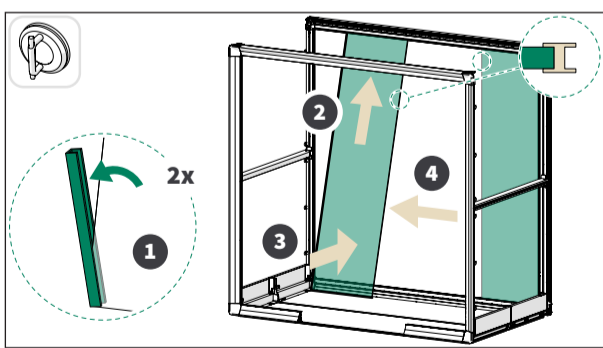
#### 1.3 Wall supports



#### 1.4 Horizontal frames

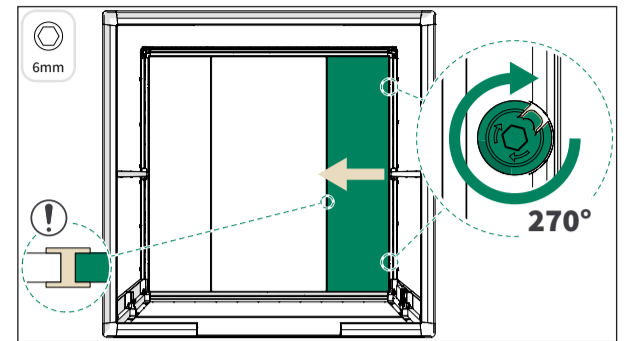
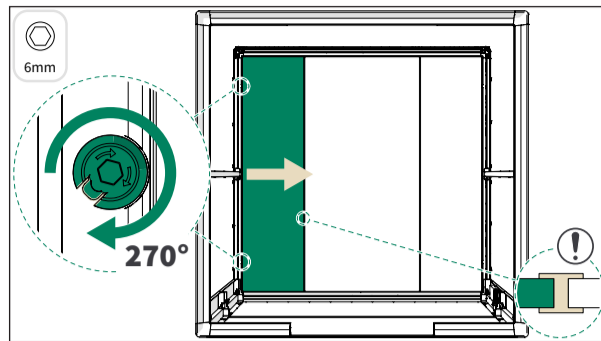
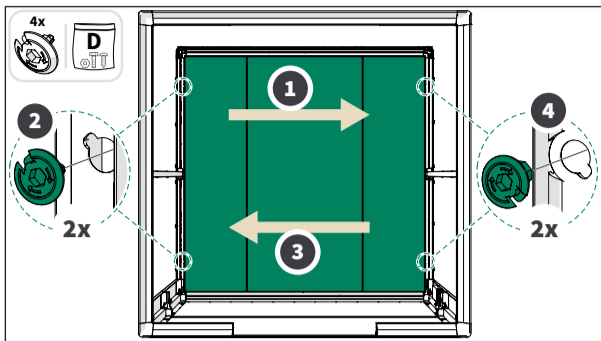


#### 1.5 Back glasses



# 1. CHASSIS

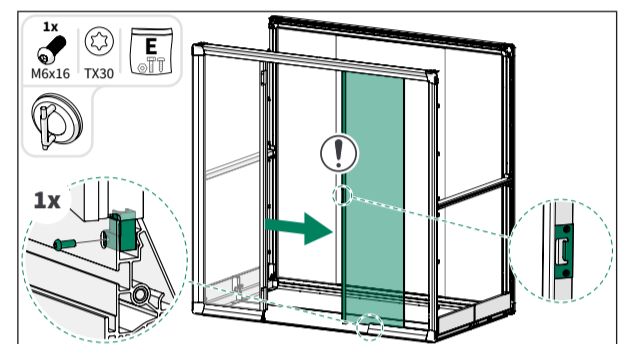
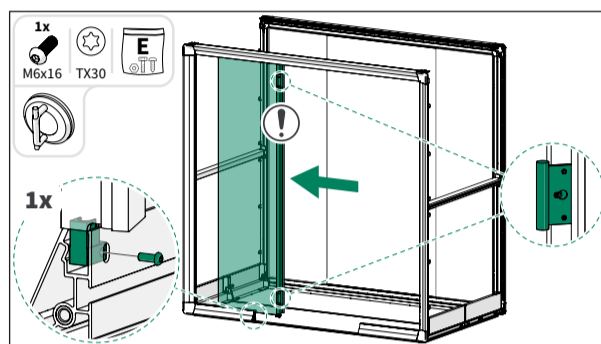
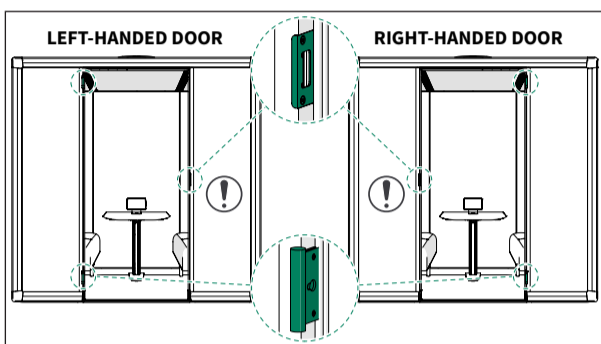
Tighten the screws of the back glass wall



⚠ Make sure that the glasses form a flat and even surface with no gaps or thresholds between the glasses.

⚠ Make sure that the glasses form a flat and even surface with no gaps or thresholds between the glasses.

## 1.6 Front glasses

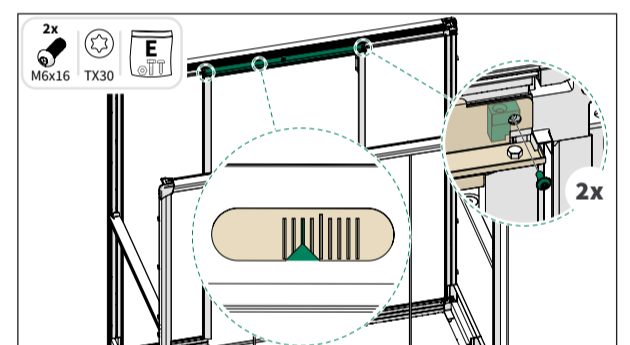
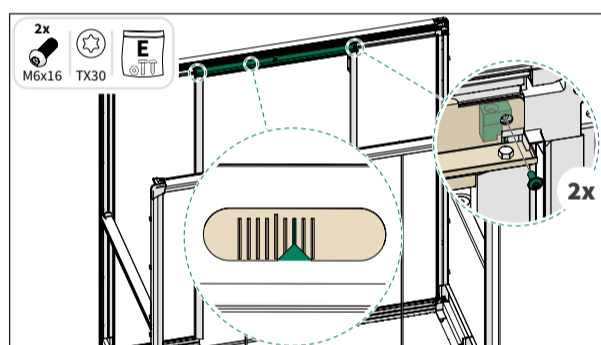
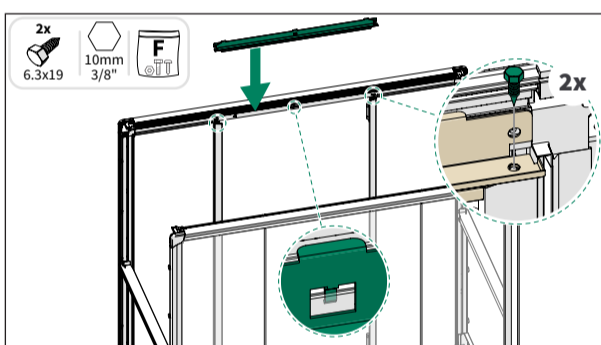


⚠ The glasses can slide out of the pod frame. Hold each glass in place until they are secured with screws.

## 1.7 Ceiling threshold

### Adjust, left-handed door

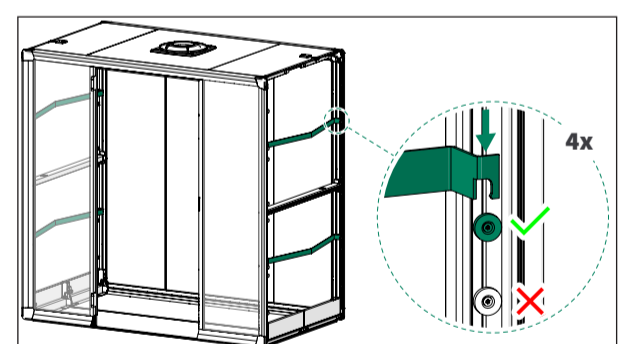
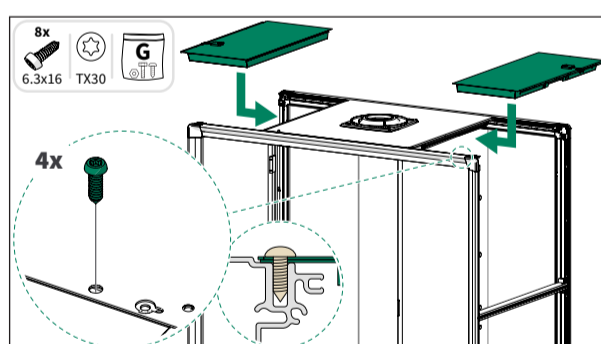
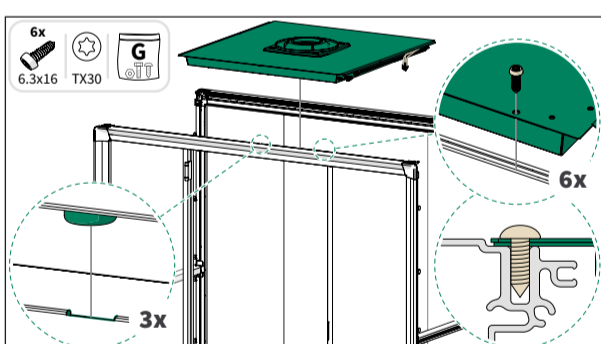
### Adjust, right-handed door



## 1.8 Inlet module

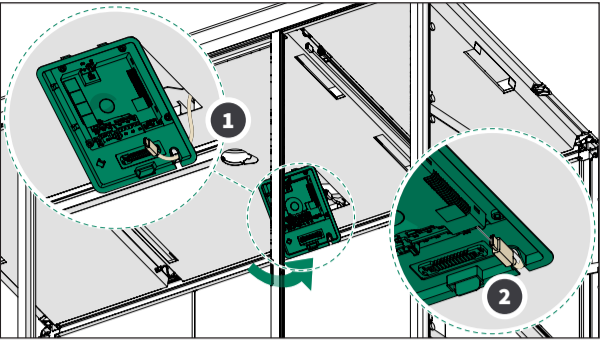
## 1.9 Outlet modules

## Wall brackets

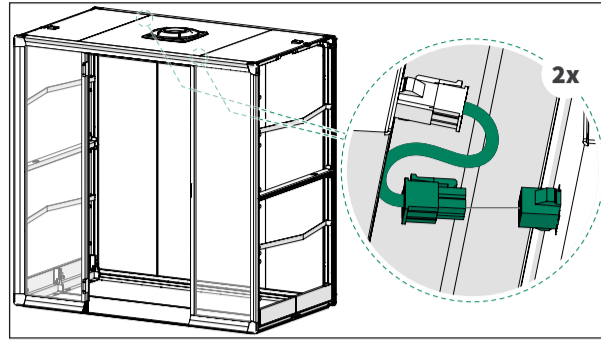


## 2. ELECTRICS

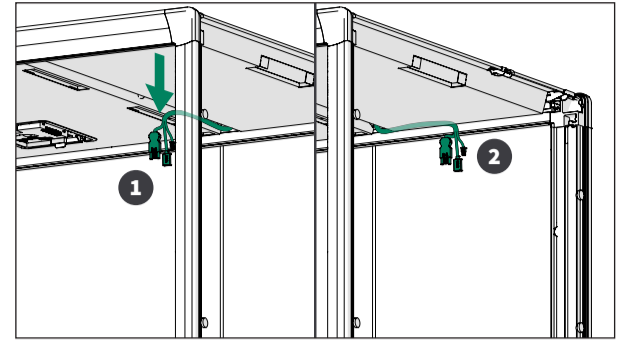
### 2.1 Core unit



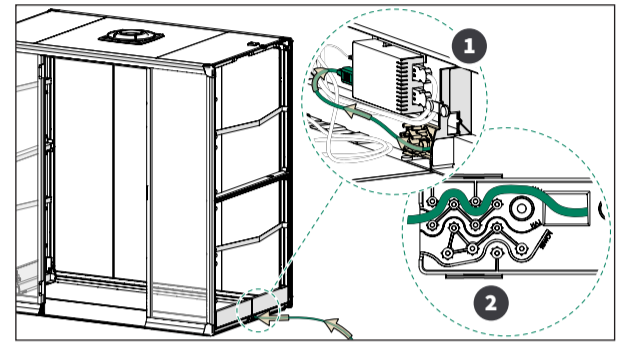
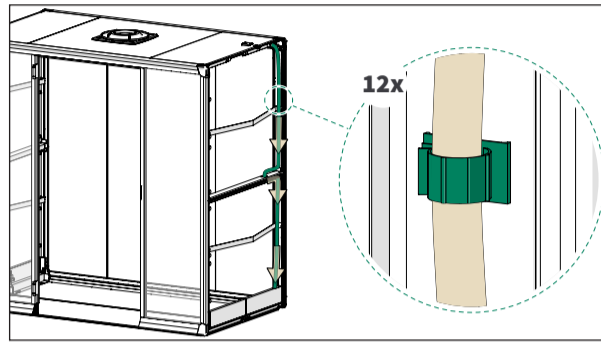
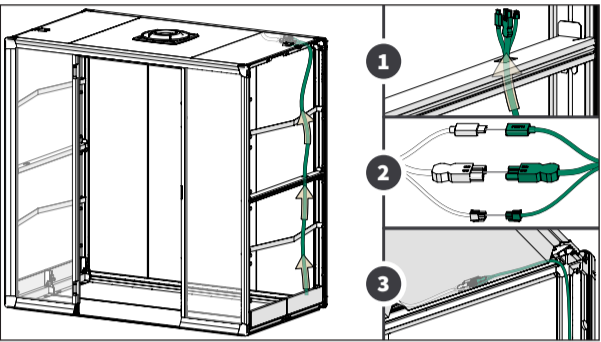
### 2.2 Connect the modules



### 2.3 Wiring harness

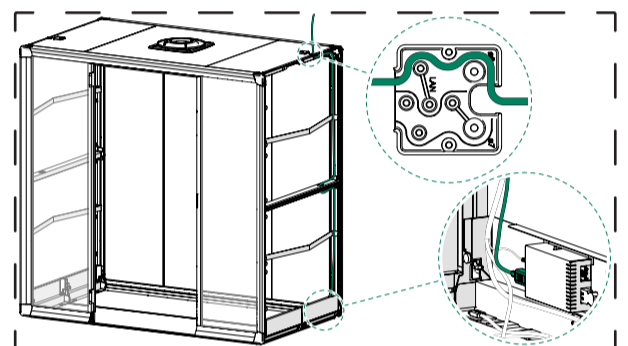
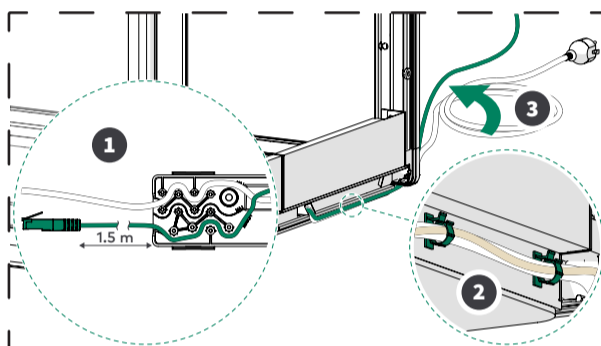
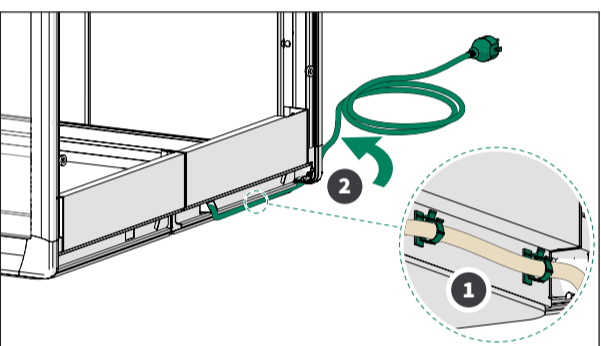


### 2.4 AC power cord



+ LAN, optional

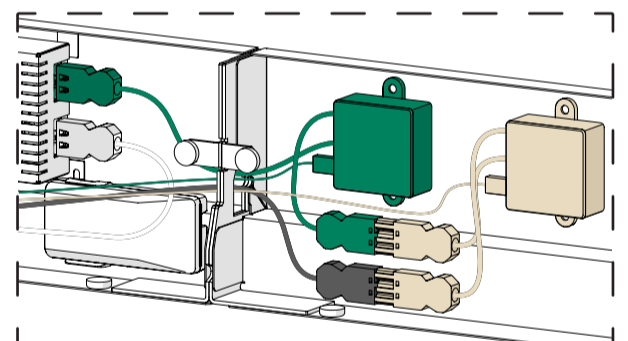
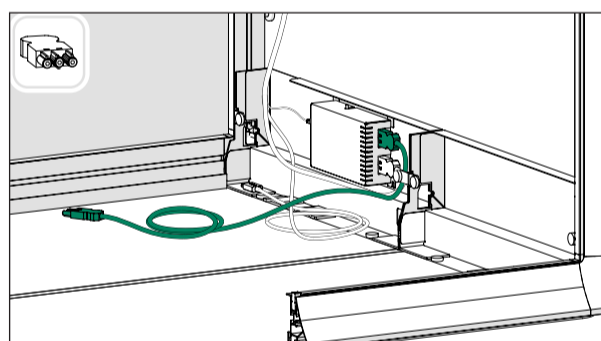
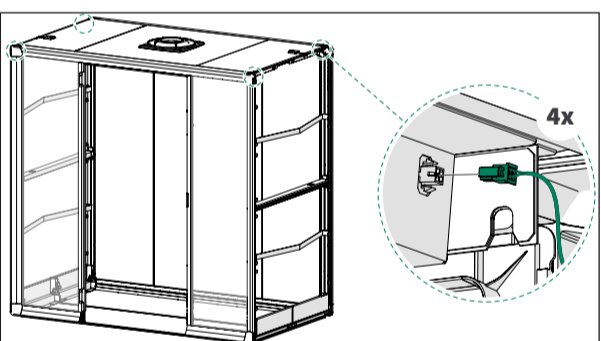
+ AC power cord roof, optional



### Occupancy lights

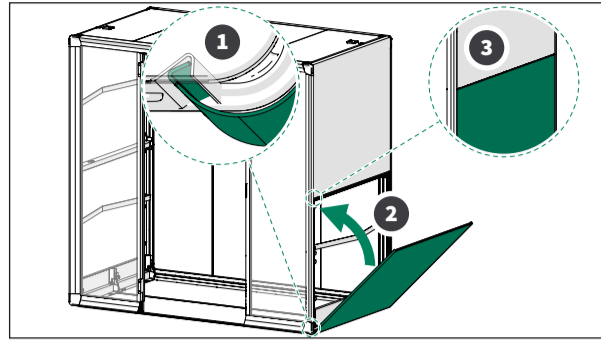
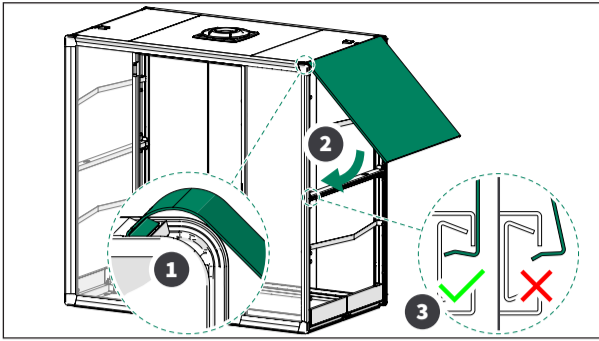
### Table GST cable

+ USB-C modules, optional



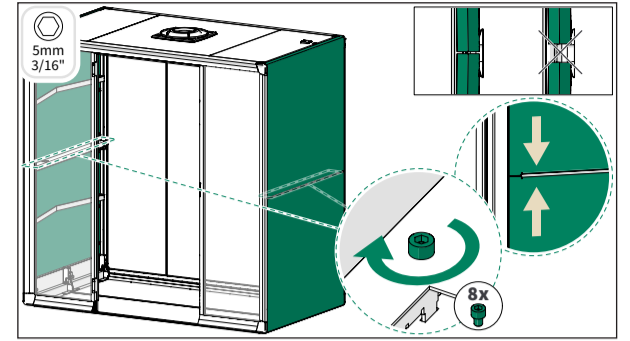
### 3. INSULATION & EXTERIOR

#### 3.1 Wall exterior panels



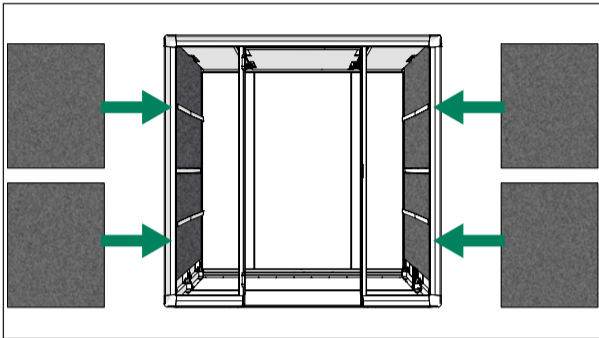
Repeat for the other wall.

#### Tighten the exterior panels



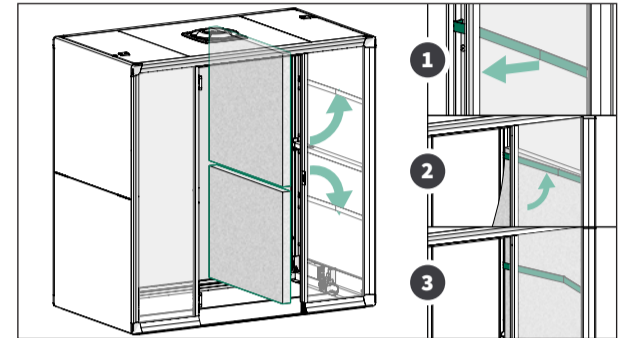
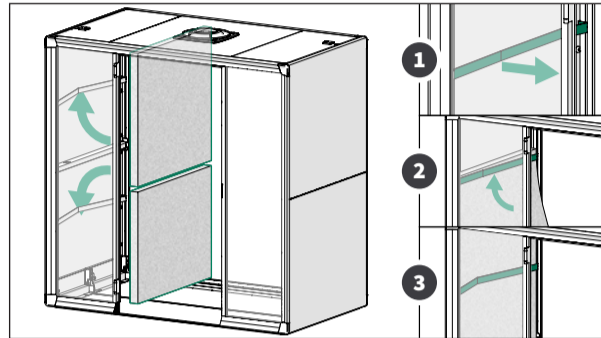
⚠ Check that the exterior panels are properly in place.

#### 3.2 Acoustic panels overview

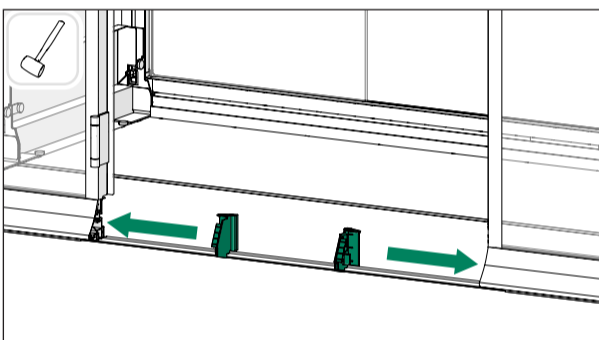


⚠ The acoustic panels are crucial for the pod soundproofing. Make sure that you install all of them (4 pcs).

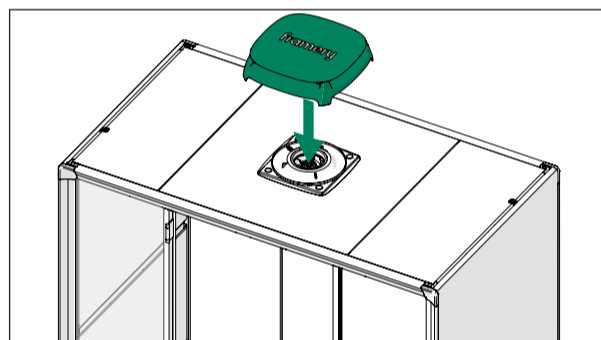
#### Acoustic panels



#### End caps

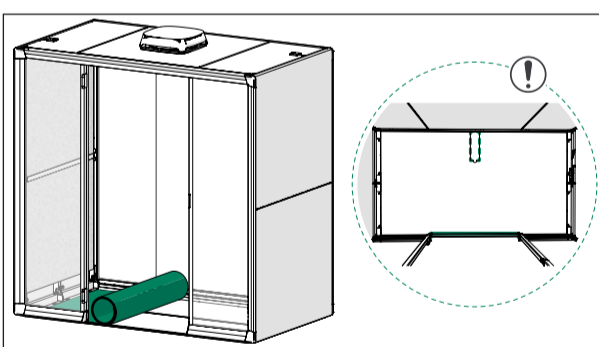


#### 3.3 Fan cover

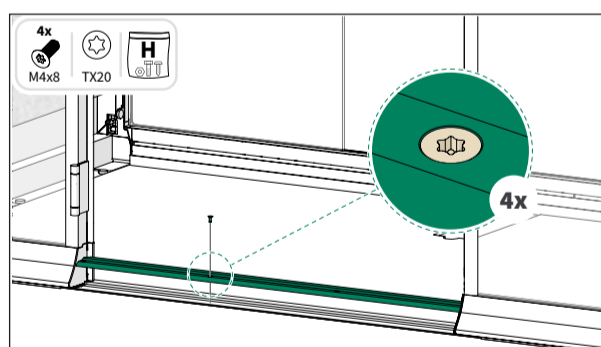


### 4. DOOR

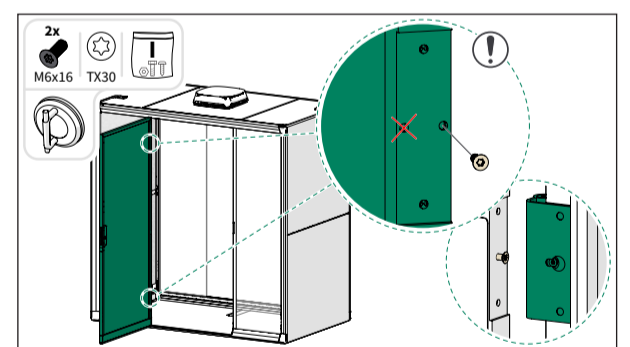
#### 4.1 Carpet



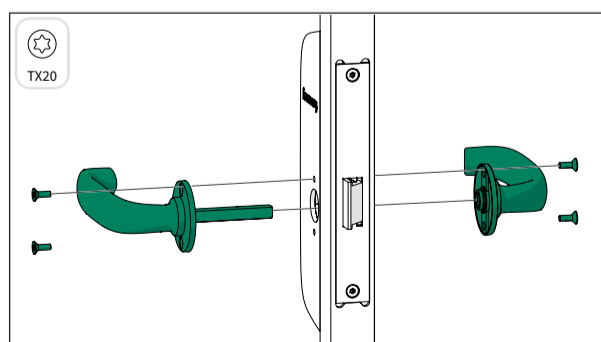
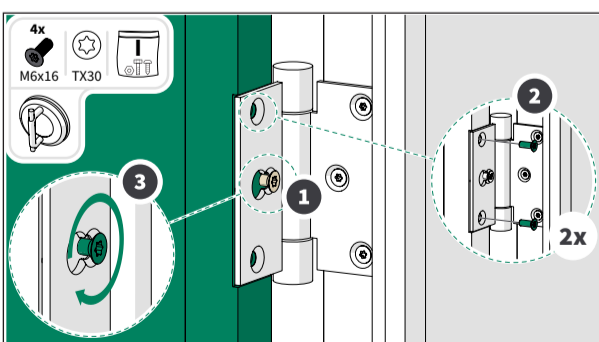
#### 4.2 Threshold



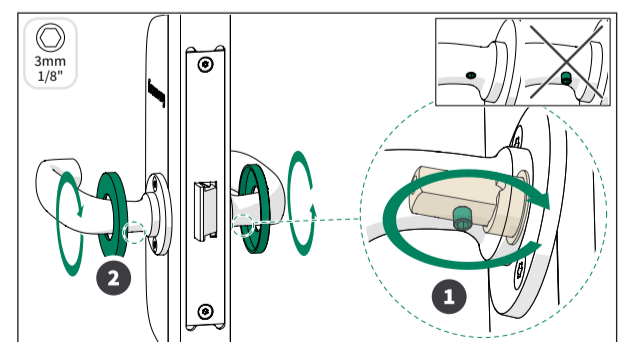
#### 4.3 Door



#### 4.4 Door handle

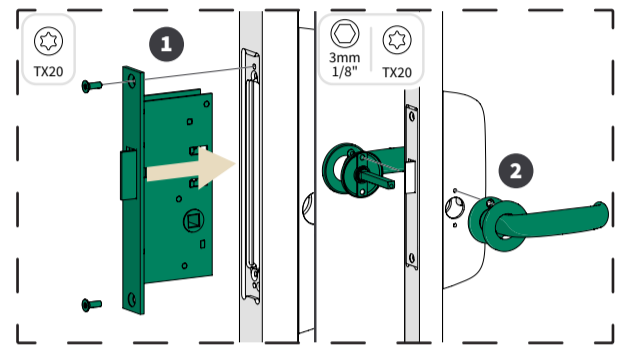
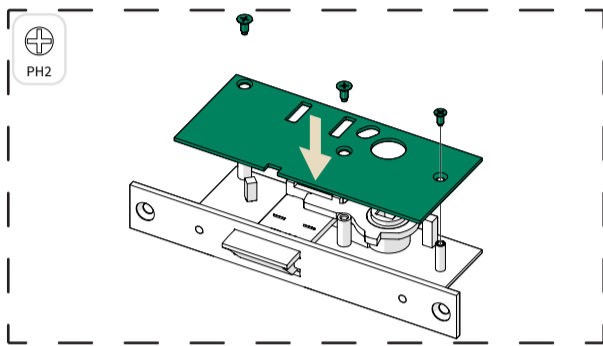
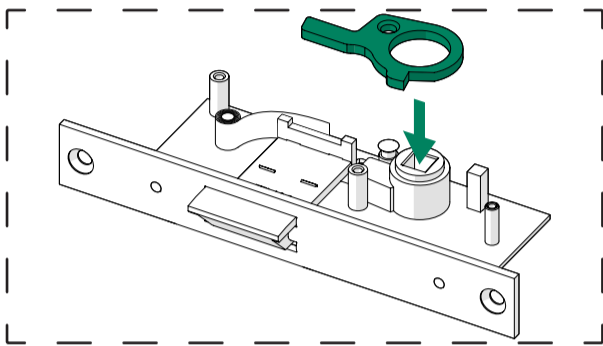
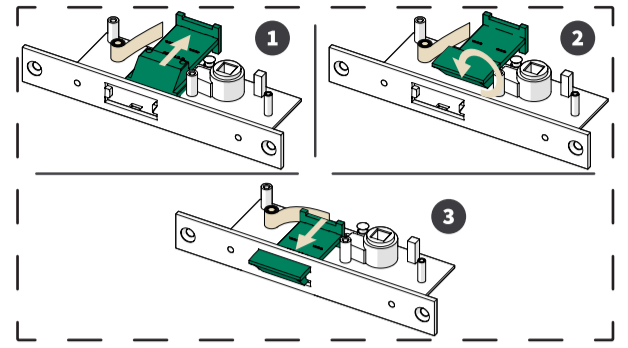
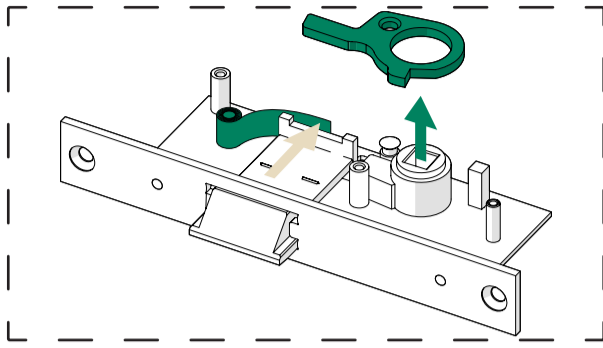
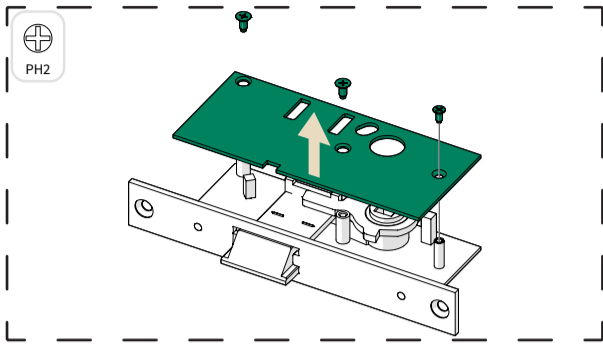


⚠ If the door handedness is changed, continue to the next phase.

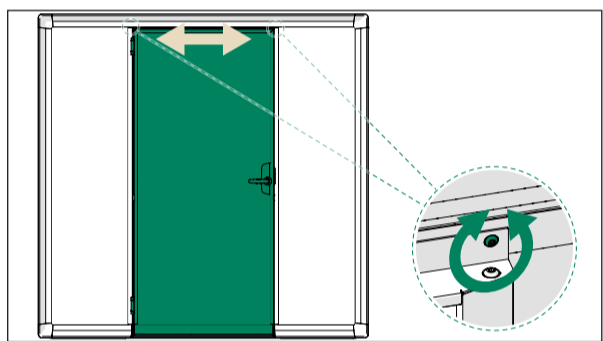


## 4. DOOR

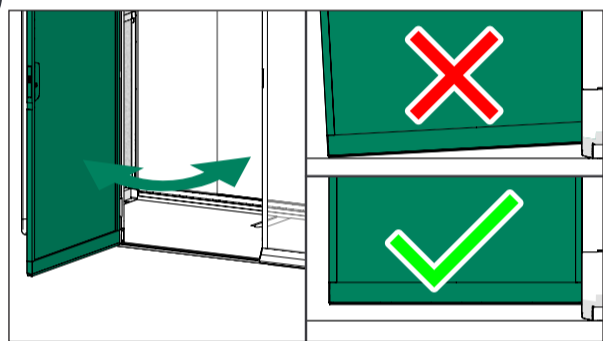
### ⊕ Change the door handedness, optional



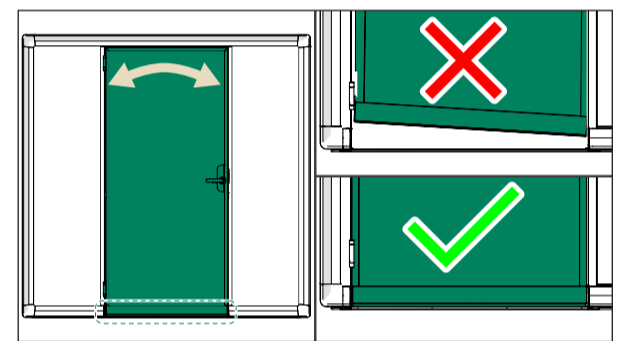
### Adjust the door



⚠ If the door does not close properly, loosen the threshold screws, adjust the door position and retighten the screws.

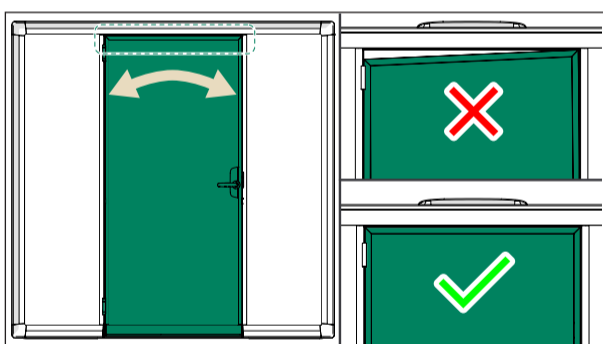


⚠ Open the door and make sure that it does not scratch the floor.

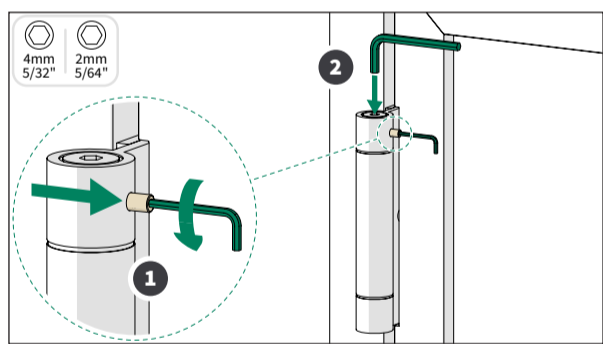


⚠ Open the door and make sure that it does not scratch the pod threshold.

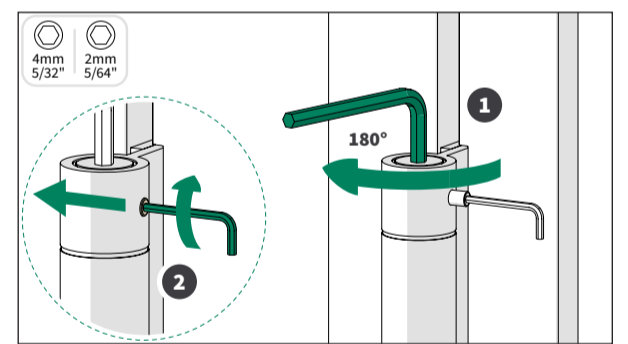
### Adjust the closing speed



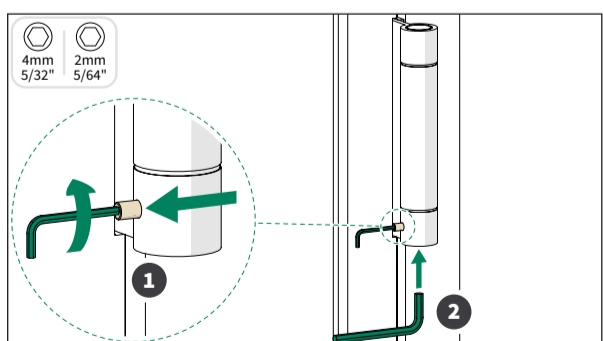
⚠ Open the door and make sure that it does not scratch the upper frame.



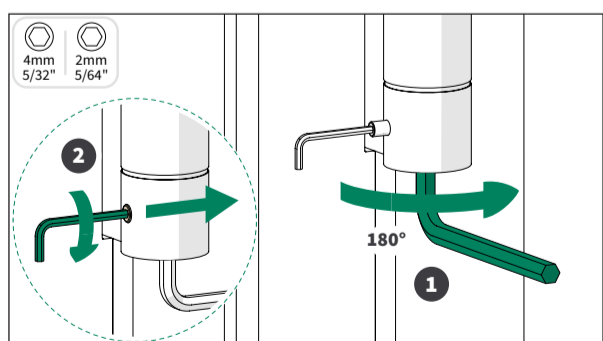
⚠ Make sure that you adjust both hinges to the same setting.



### Adjust the closing speed, right-handed door

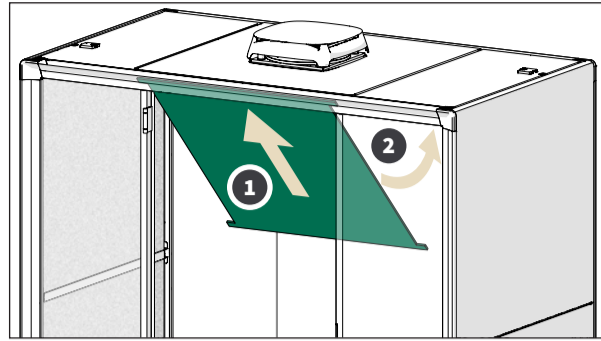
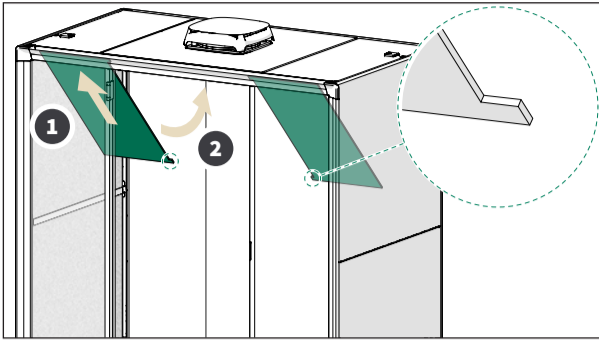


⚠ Make sure that you adjust both hinges to the same setting.

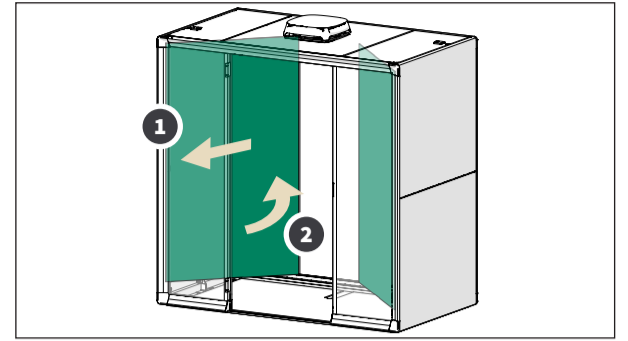


## 4. INTERIOR

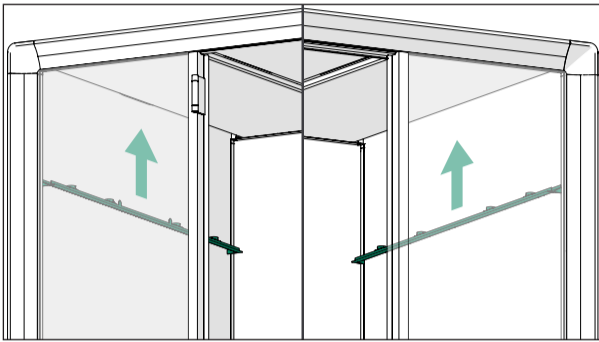
### 5.1 Ceiling interior panels



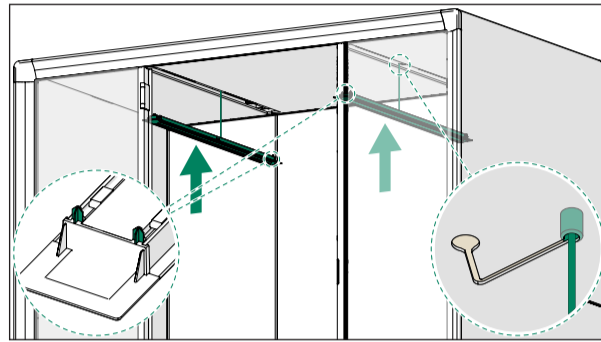
### 5.2 Wall interior panels



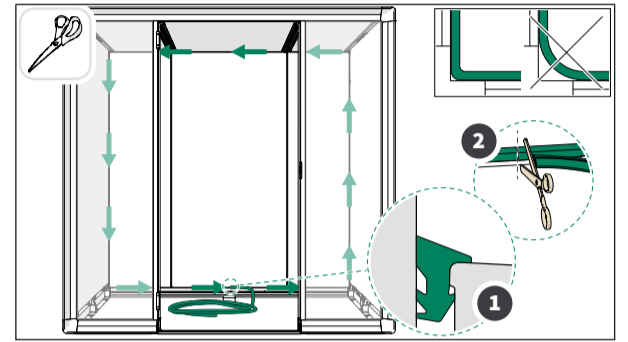
### 5.3 Air vents



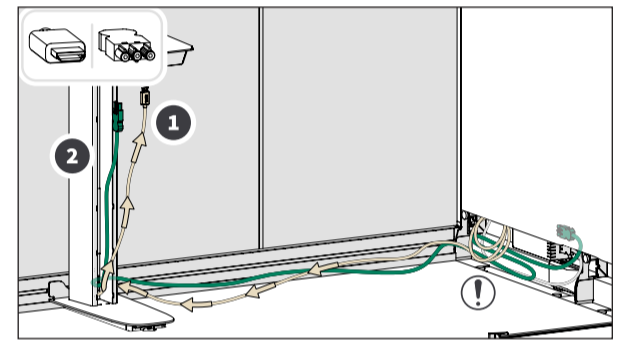
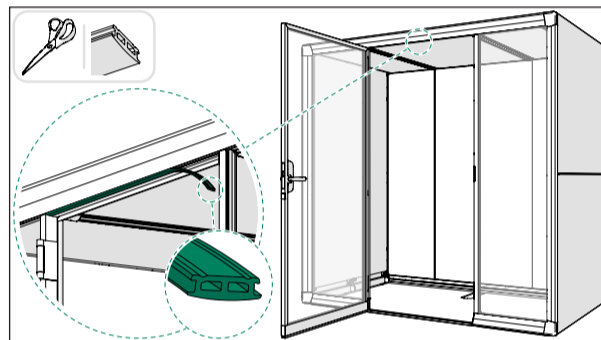
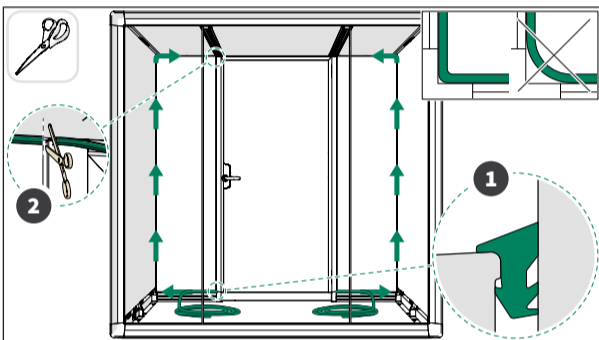
### 5.4 Ceiling lights



### 5.5 Gaskets

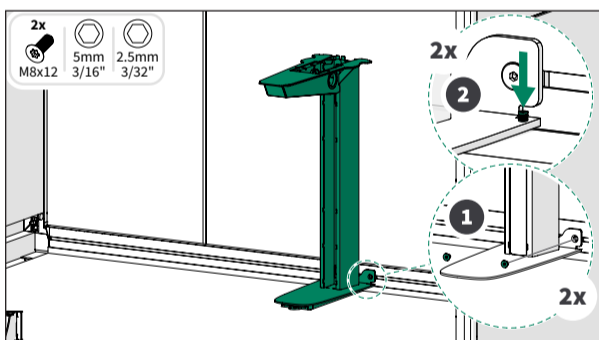


### 5.6 Table leg



⚠ Roll the extra length of the HDMI cable in the space next to the power unit.

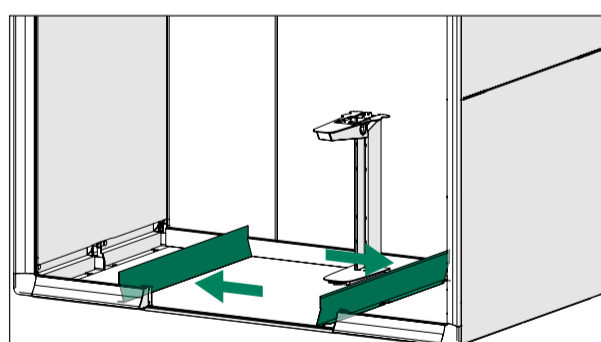
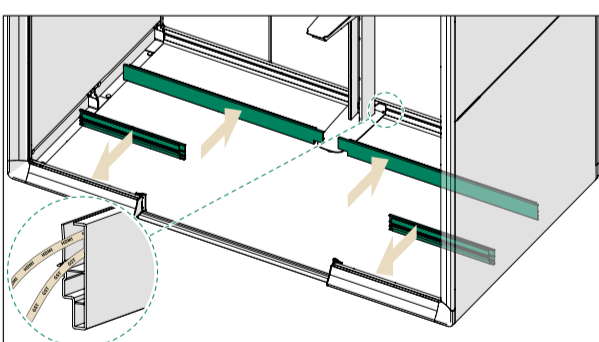
⊕ LAN, USB-C modules, optional



### 5.7 Cable channels

### 5.8 Kickboards

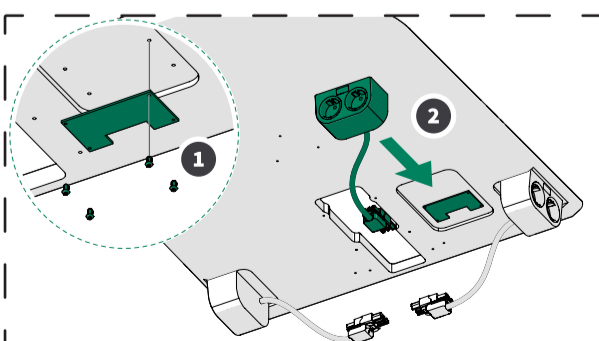
### 5.9 Power outlets



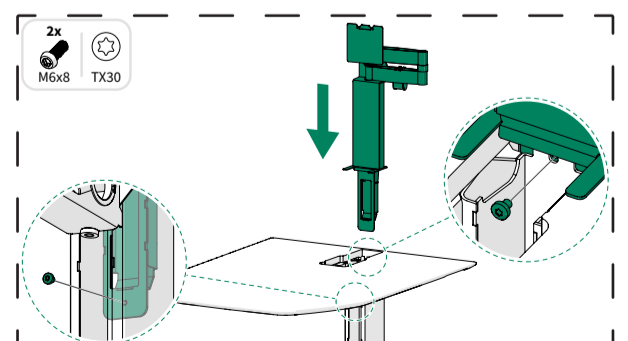
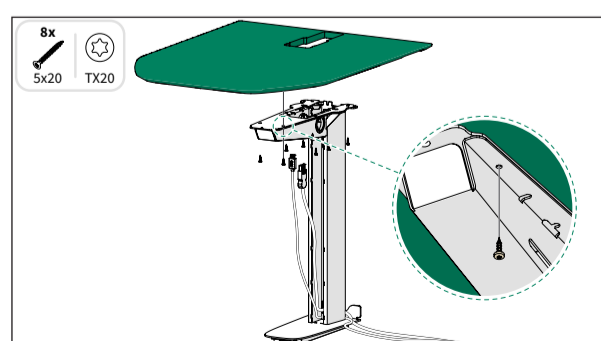
⊕ Extra power outlets, optional

### 5.10 Table top

⊕ Monitor arm, optional

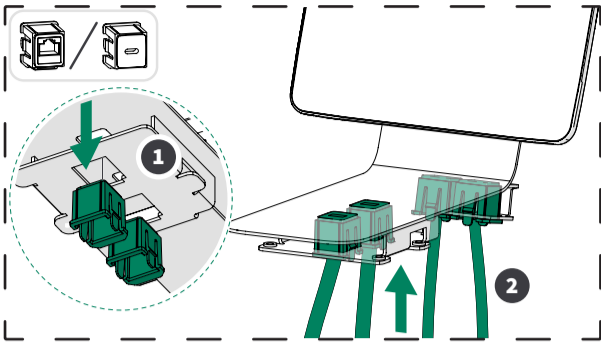


⚠ There are extra power outlets if the optional monitor arm is included.

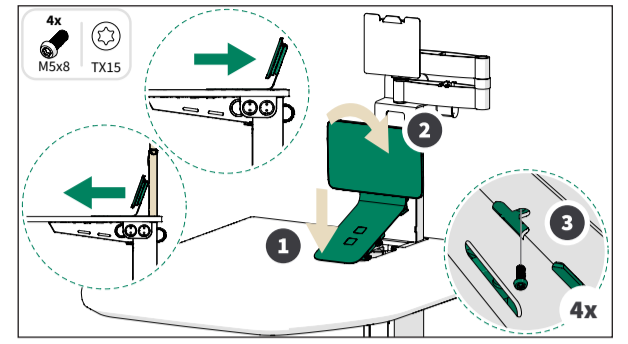
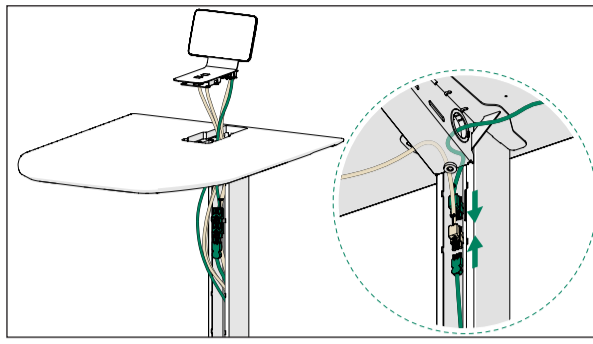


## 4. INTERIOR

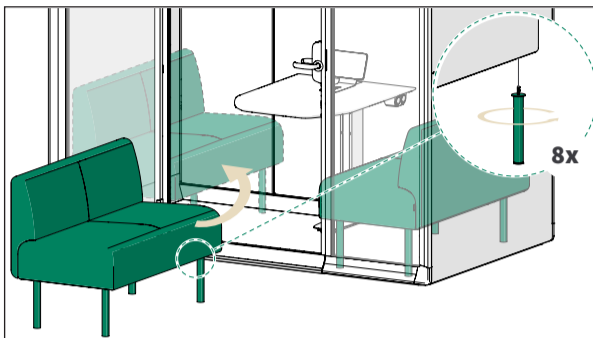
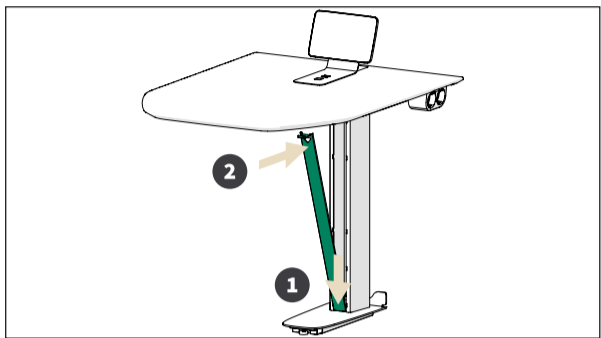
### + USB-C and LAN ports, optional



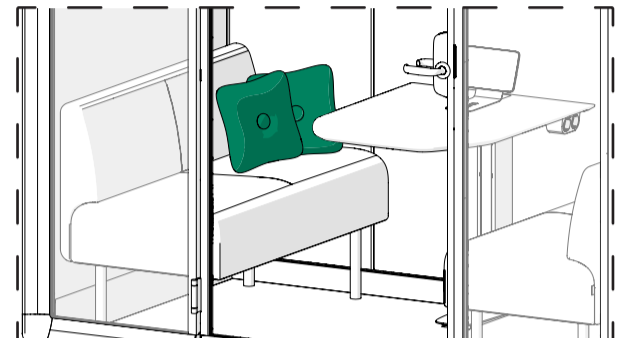
### 5.11 Touchscreen & holder



### Sofas

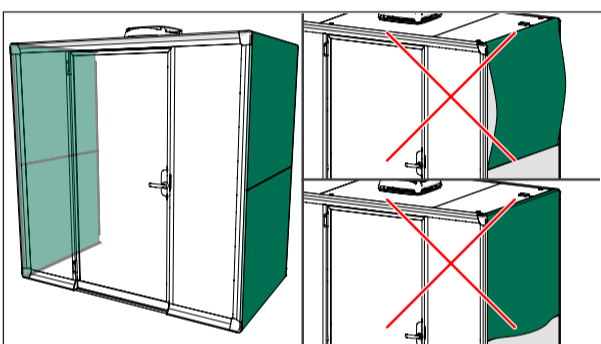


### + Cushions, optional



## Finalize the installation

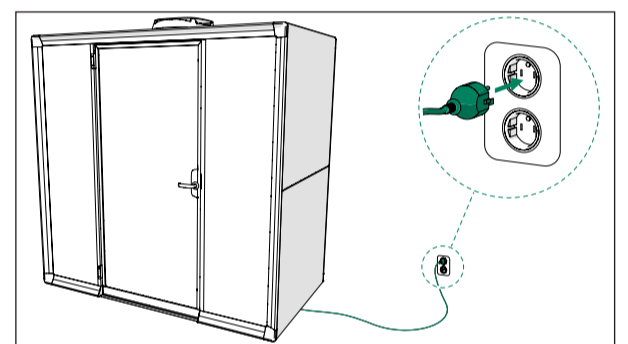
### Check the exterior panels



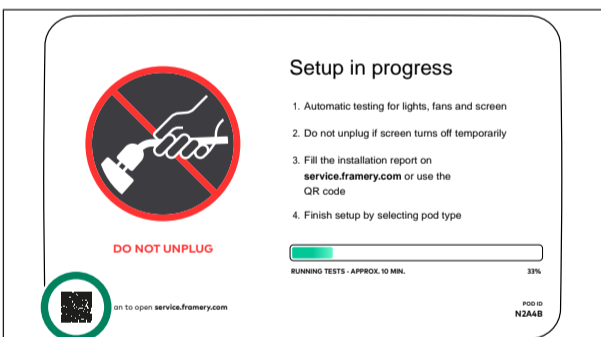
### Clean the pod



### Connect the power cord



### Create an installation report



Scan the QR code to open the installation report.

### Privacy film

If the delivery includes a privacy film, leave it inside the pod for later installation.

