

Contents

1 Important safety and product instructions.....	3
1.1 Preface.....	3
1.2 Product information.....	3
1.3 Copyright.....	3
1.4 Manual contents.....	3
2 Seismic anchoring requirements.....	4
3 Required space with seismic anchoring.....	5
4 Seismic anchor locations - dimensions.....	6
5 Anchor bolt length.....	7
6 Seismic kit contents.....	8
7 Tools required.....	9
8 Install the seismic anchoring.....	10

1 Important safety and product instructions

1.1 Preface

This instruction manual describes the installation of the product. Everyone involved in installing the product must read and understand the contents of the installation and safety instructions.

This instruction manual gives you necessary information for the correct installation of the product.

For complete product and safety instructions, see **help.framery.com**.

1.2 Product information

The information in this manual corresponds to the product at the time of delivery. All information included in this manual is valid at the time of publication.

1.3 Copyright

This document must not be copied, presented, or delivered to a third party without explicit permission from Framery. The use of this document for any purpose other than those allowed by Framery is prohibited. Framery reserves the right to change the instructions related to the product without separate notice.

1.4 Manual contents

The installation instructions contain the following information:

- General information about the purpose and content of the instructions
- Information related to safety
- Installation instructions

2 Seismic anchoring requirements



Note:

When installing the product, take into consideration all local laws, rules and regulations concerning seismic anchoring and seismic safety.

For installations in the U.S., in buildings located in Seismic Design Categories A and B, anchoring to the floor is optional. In buildings located in Seismic Design Categories C, D, E or F, anchoring to the floor is required.

When anchoring to the floor, plans that address seismic design categories must be prepared by a registered design professional. The plans are to include definitions on the type, size and location of anchors and installation limitations. Additionally, installation must be in accordance with the applicable codes [IBC, IFB, IMC, NFPA 70 and, when installed with a sprinkler, NFPA 13].

3 Required space with seismic anchoring

When the pod is installed in a tight space or several pods are installed tightly next to each other, the required space on both sides of the pod is at least 5 in and 3/8 in on the backside of the pod.

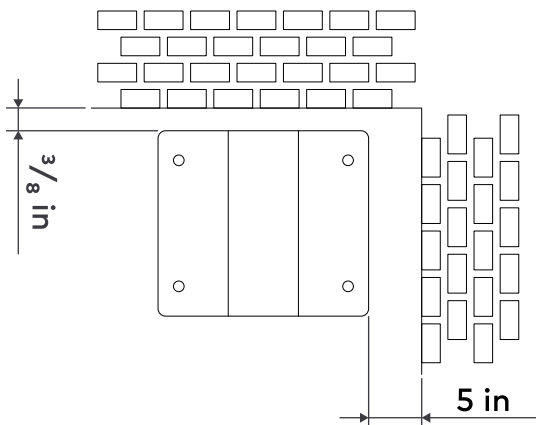
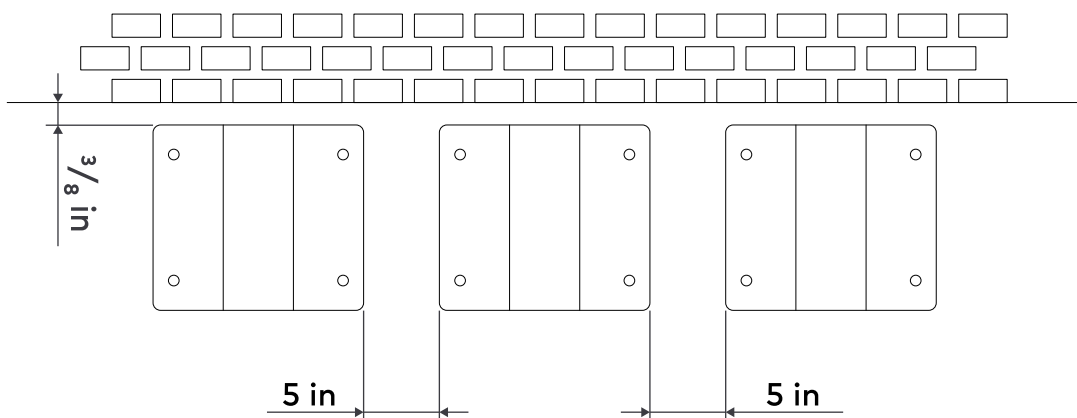


Figure 1: Required operating space with seismic anchoring.



4 Seismic anchor locations - dimensions

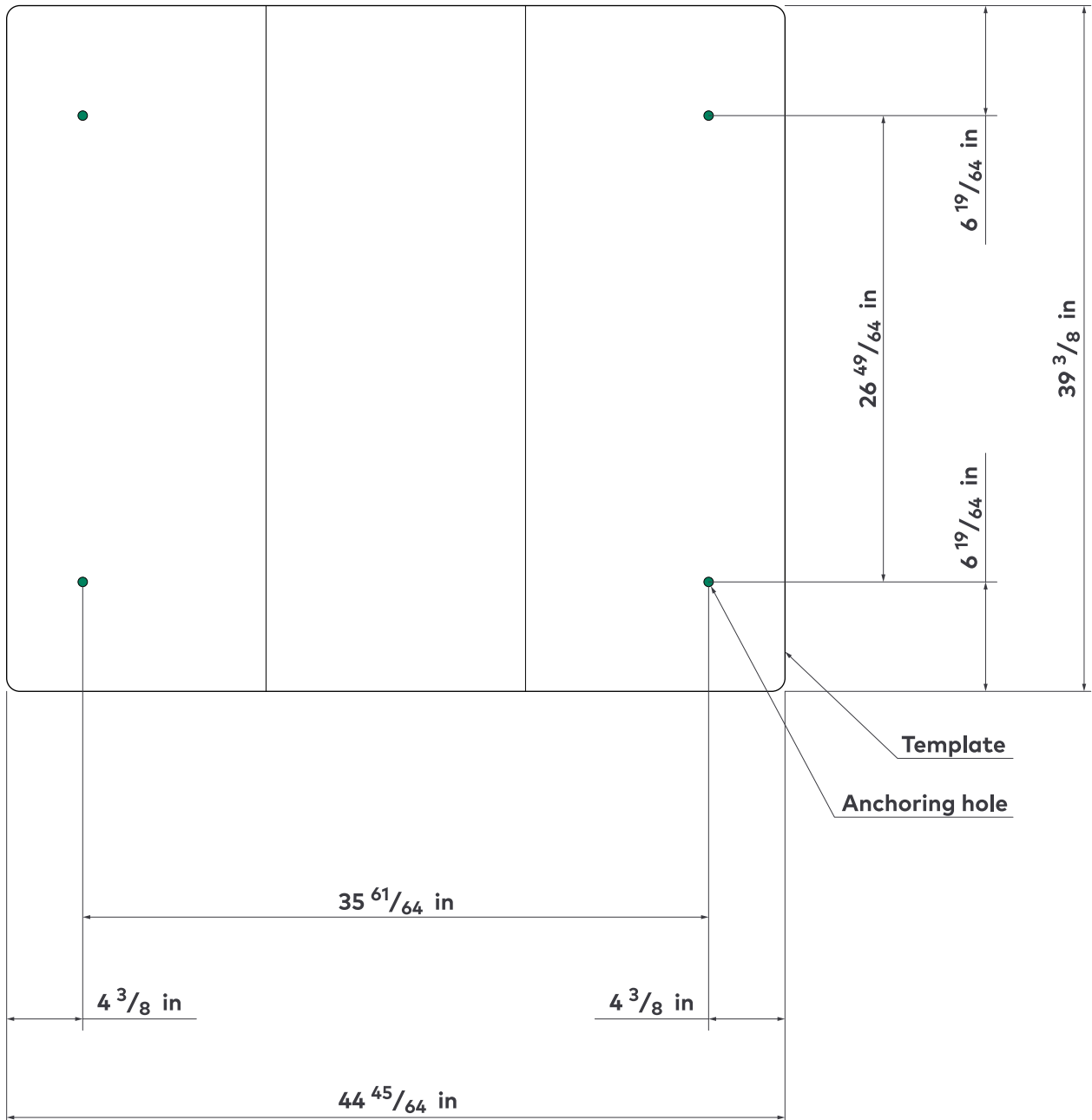


Figure 2: Framery Gradus Focus anchor locations

5 Anchor bolt length

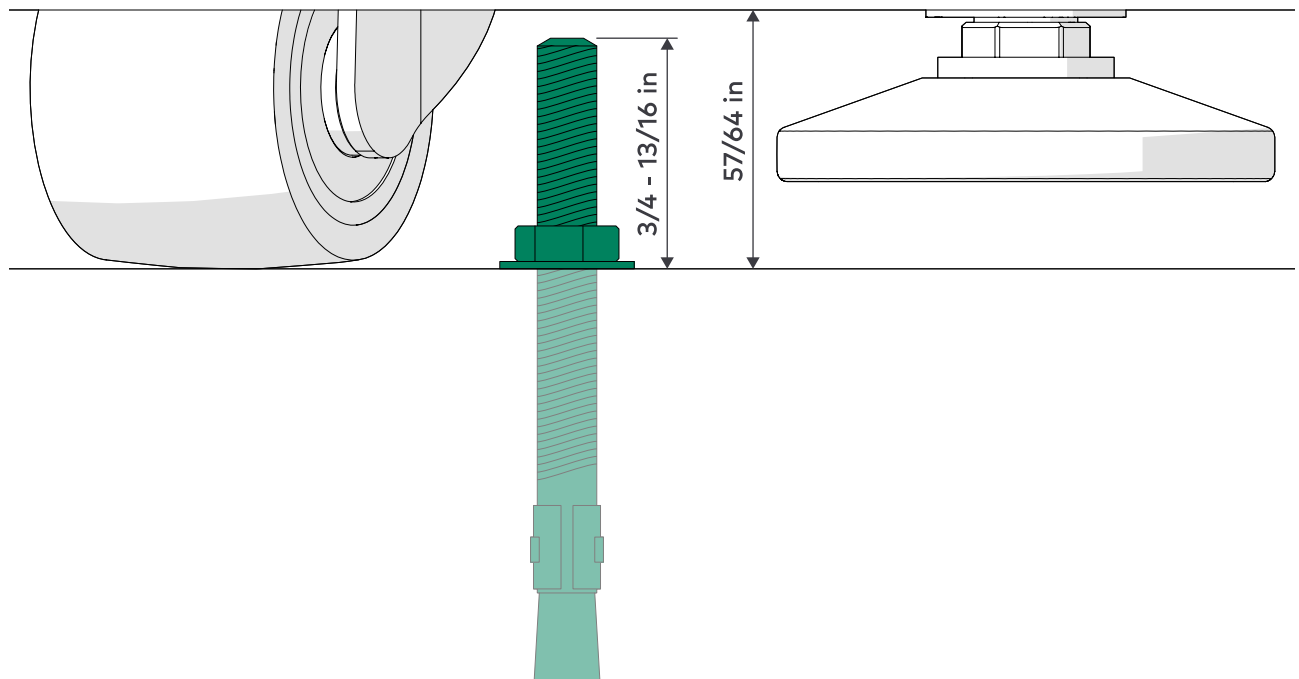


Figure 3: Anchor bolt length

6 Seismic kit contents

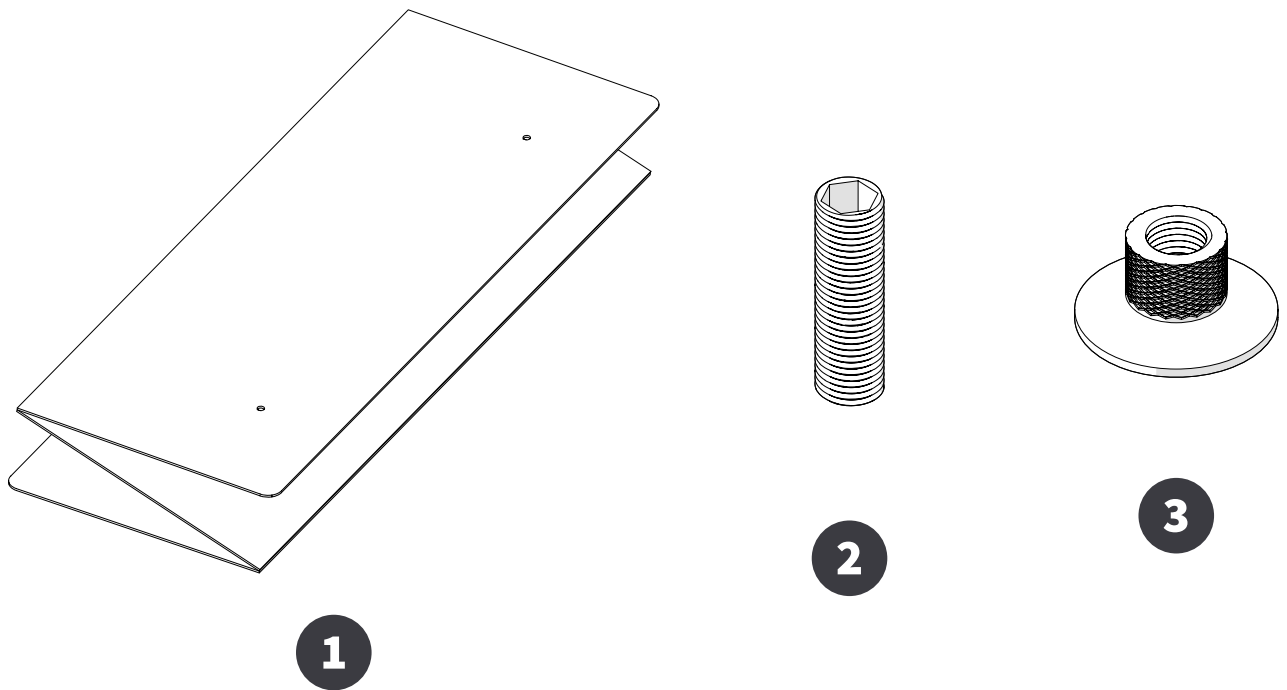


Figure 4: Framery Gradus Focus seismic kit

Number	Pcs	Description
1	1	Template
2	4	Earthquake sleeve
3	4	Earthquake nut

7 Tools required



Note: Rotary hammer drill is recommended for drilling into concrete. Drill bit size is based on the anchor selected.

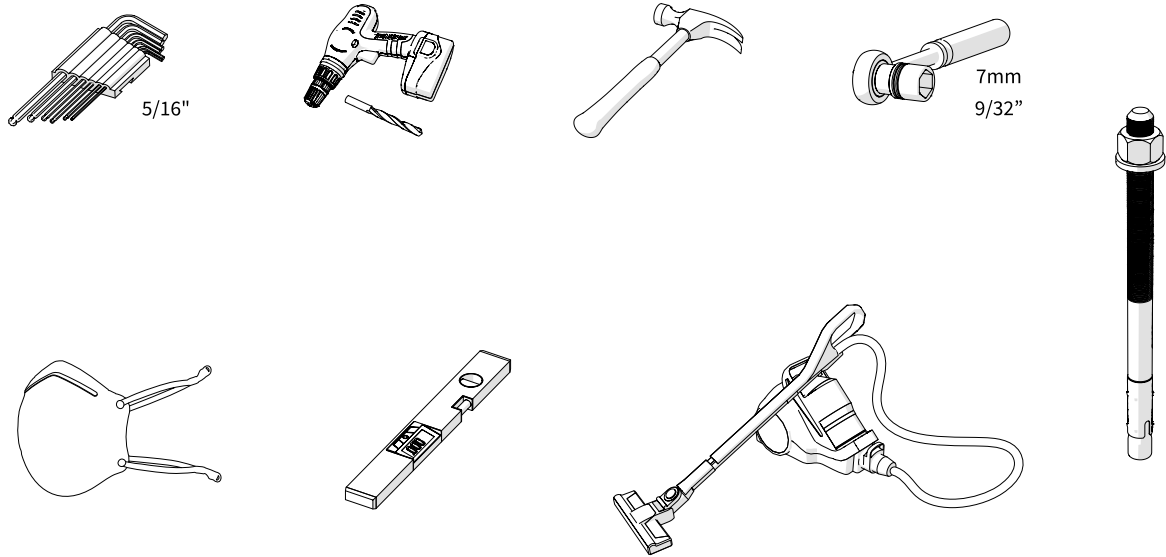
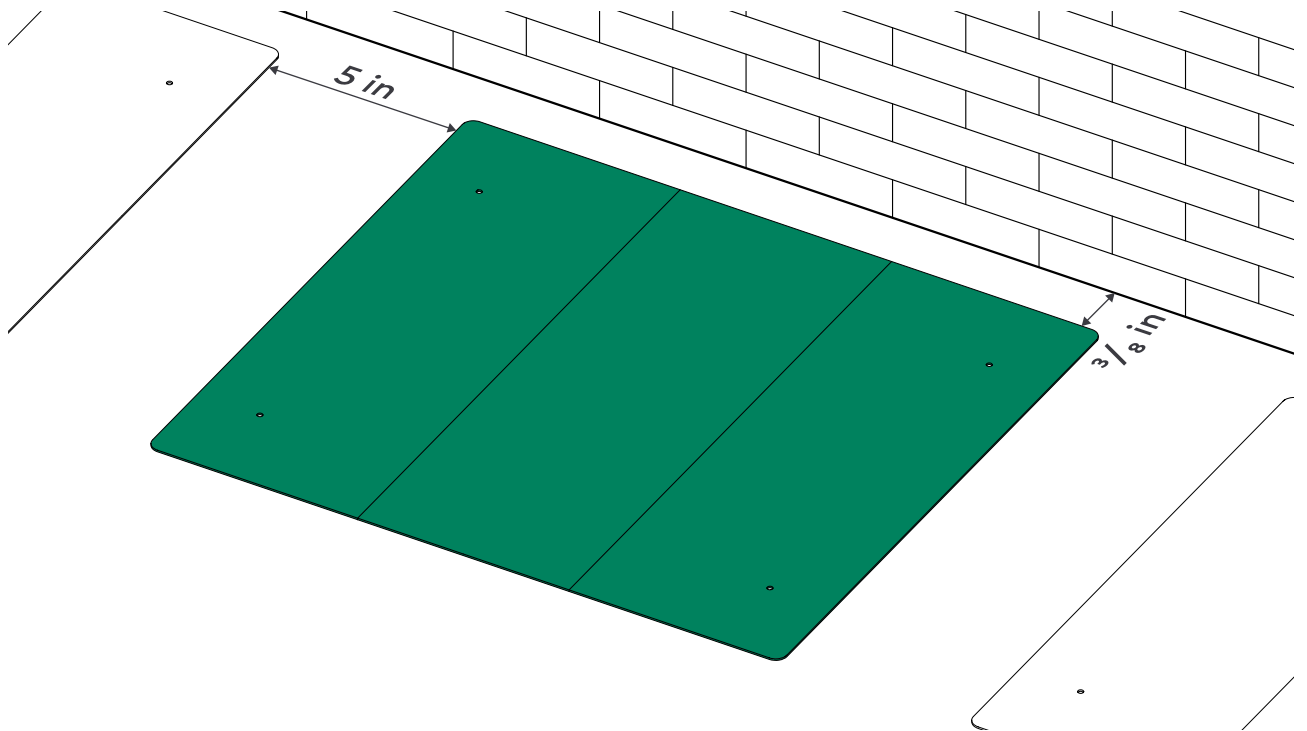


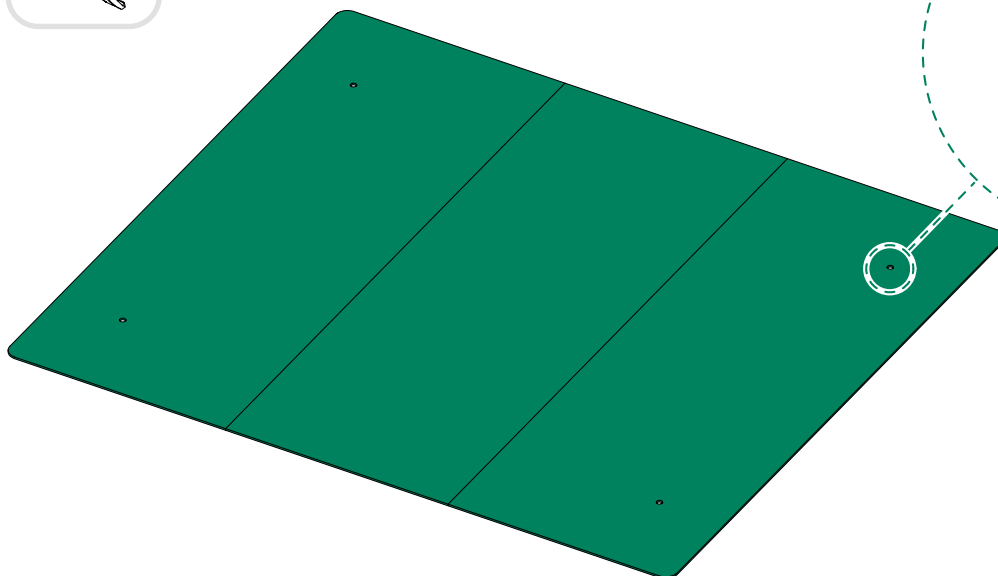
Figure 5: Tools required for seismic anchoring

8 Install the seismic anchoring

1. Place the template at the intended final location of the pod.



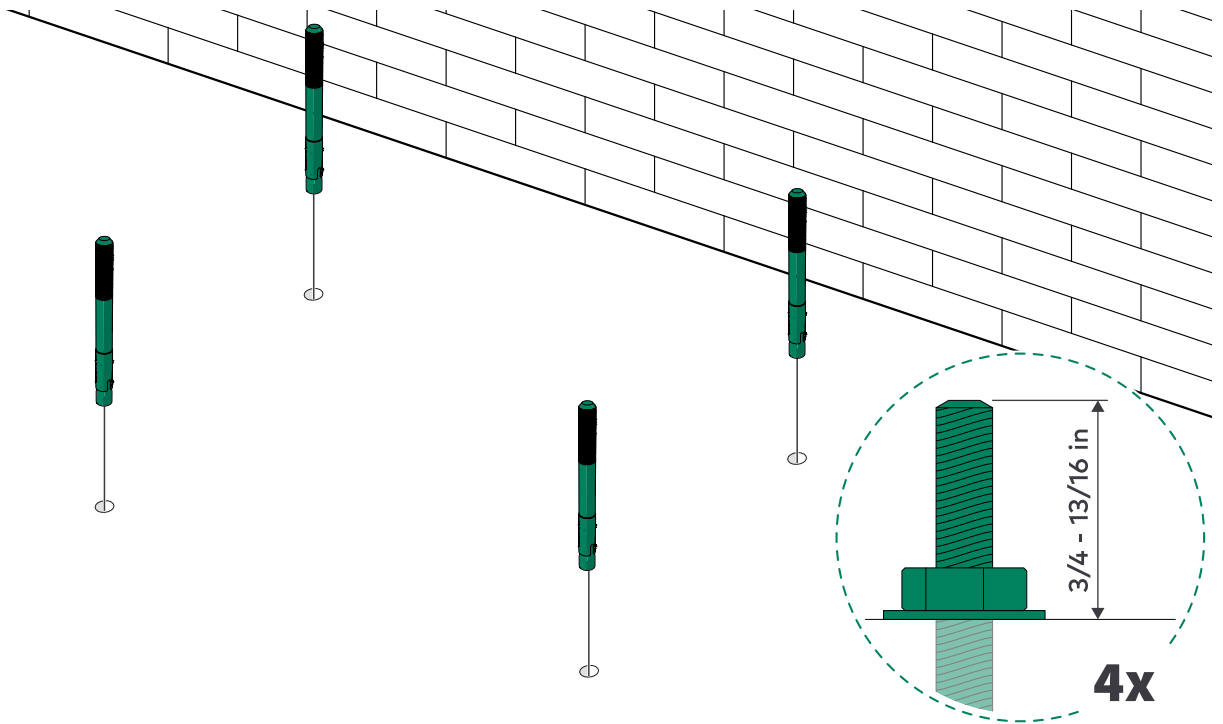
2. Using the holes in the template as reference, drill holes for the anchors. Verify the required hole depth with anchor guidelines. Drill bit size is based on the anchor selected.



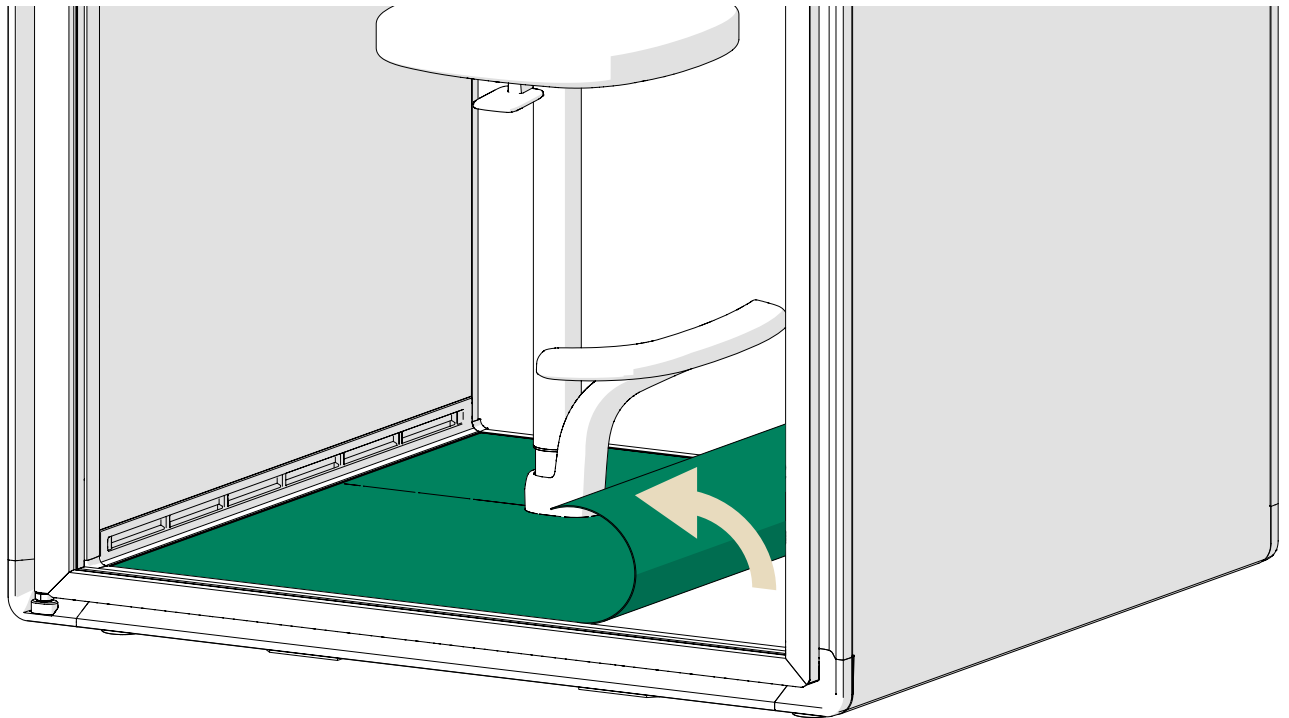
3. Clean the drilled holes according to anchor guidelines.

4. Insert all four anchors into the holes.

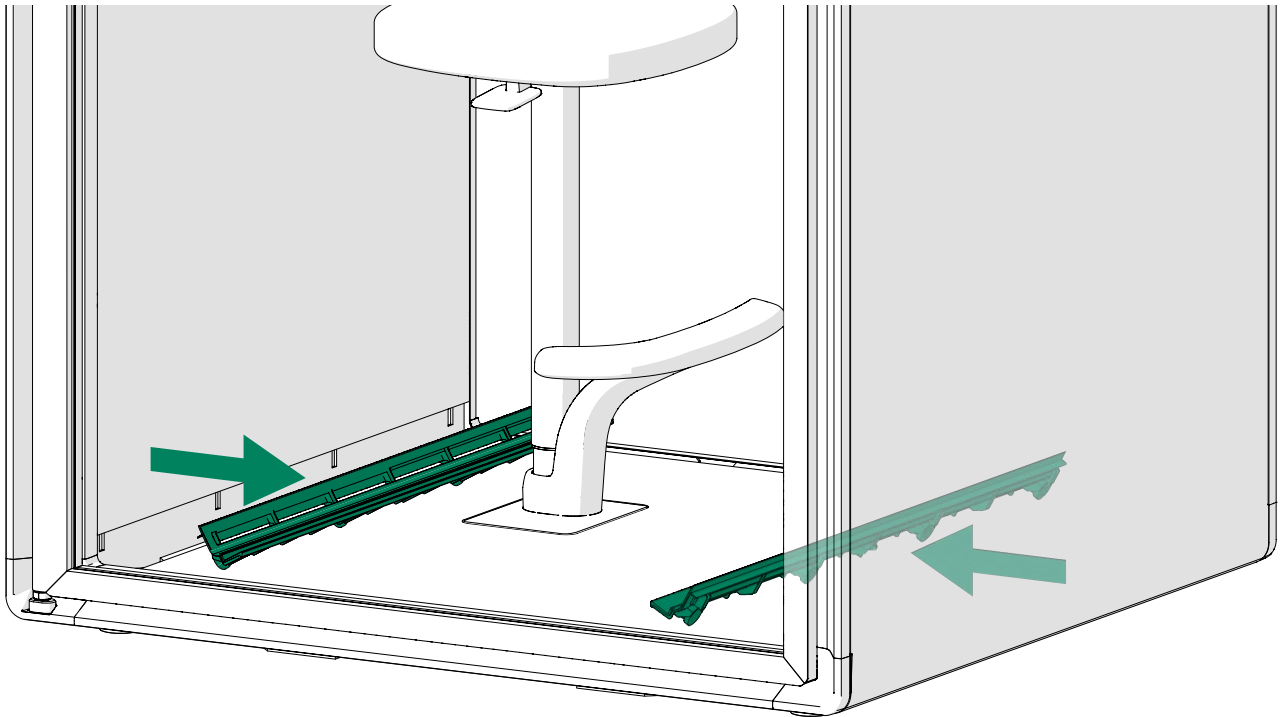
⚠ **Note:** The anchors must protrude between 3/4 in - 13/16 in from the floor level.



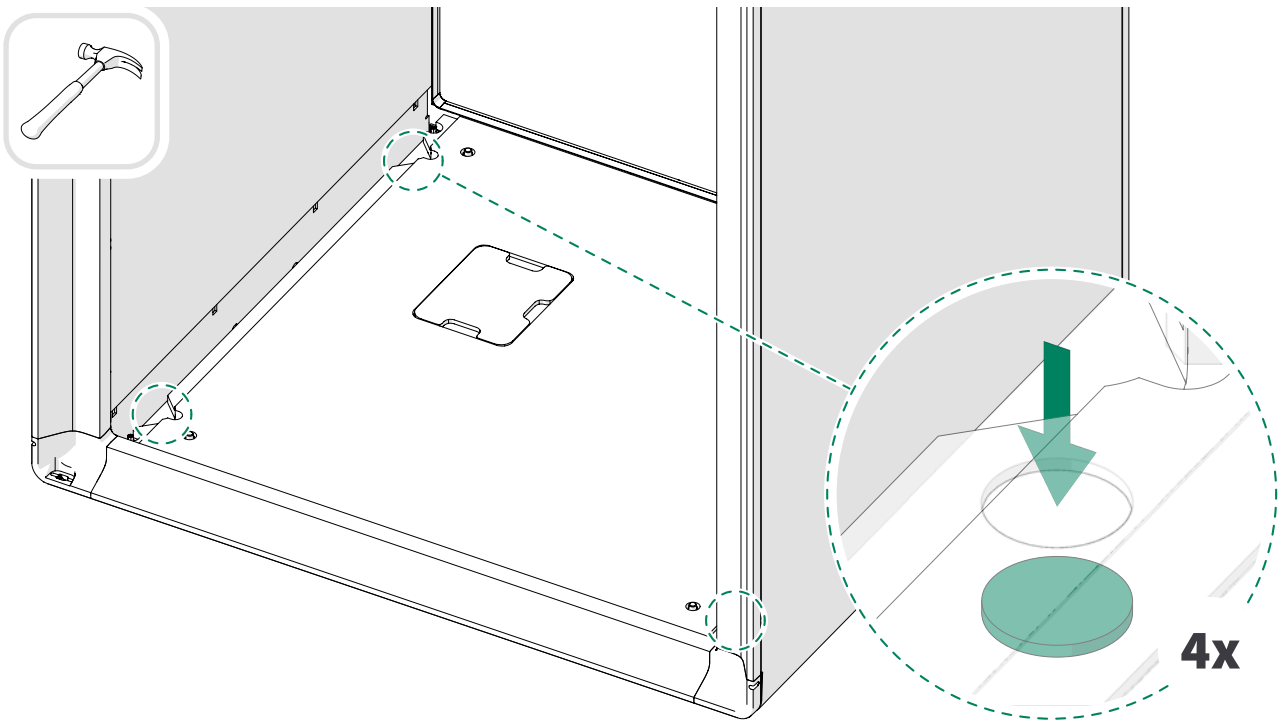
5.



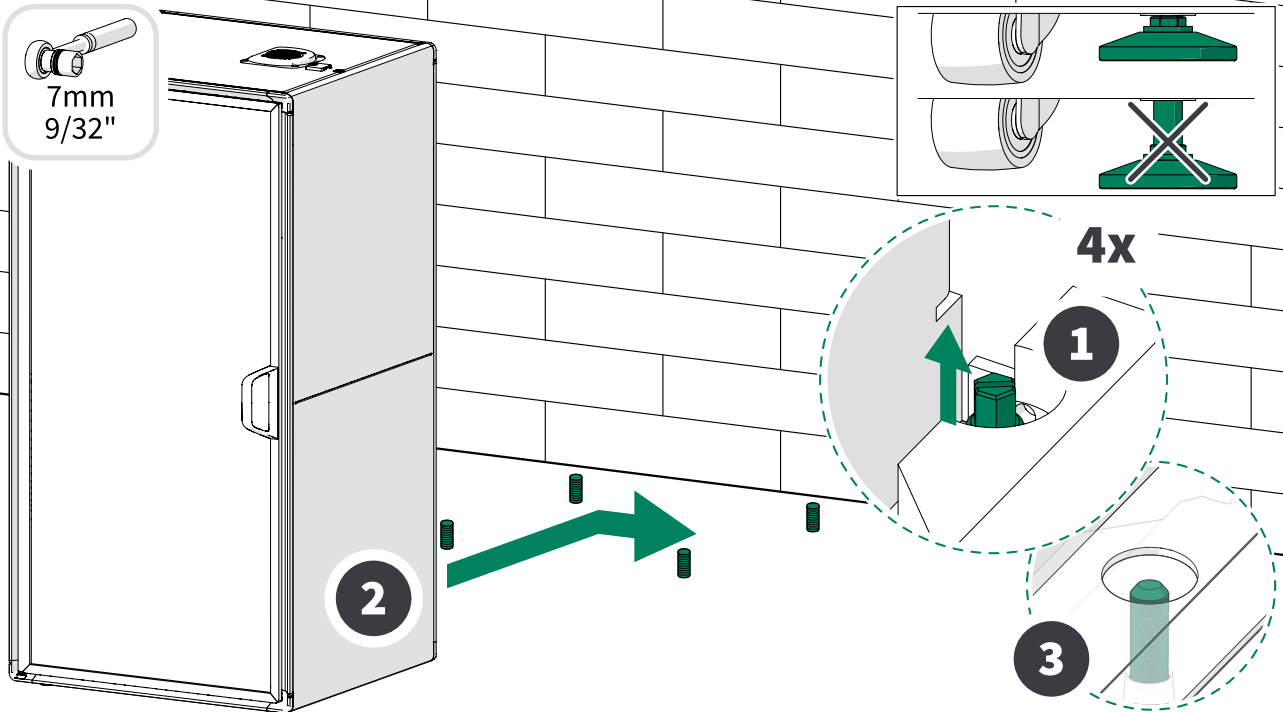
6.



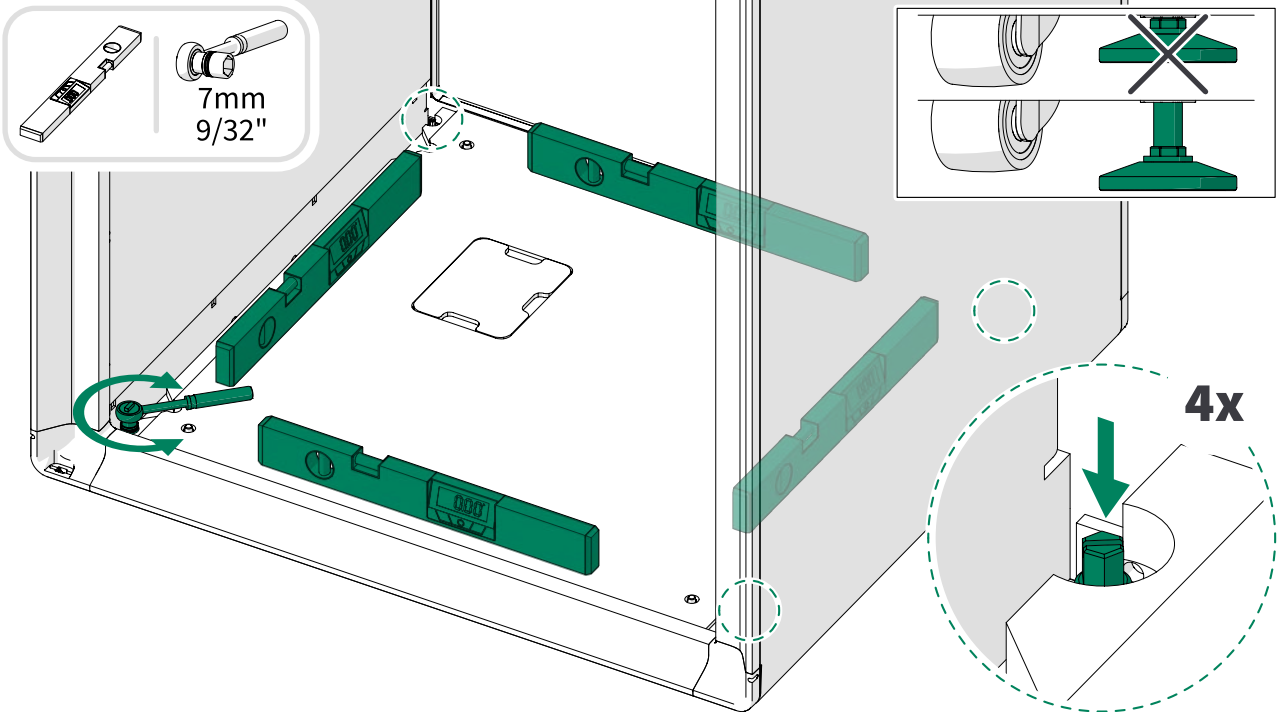
7.



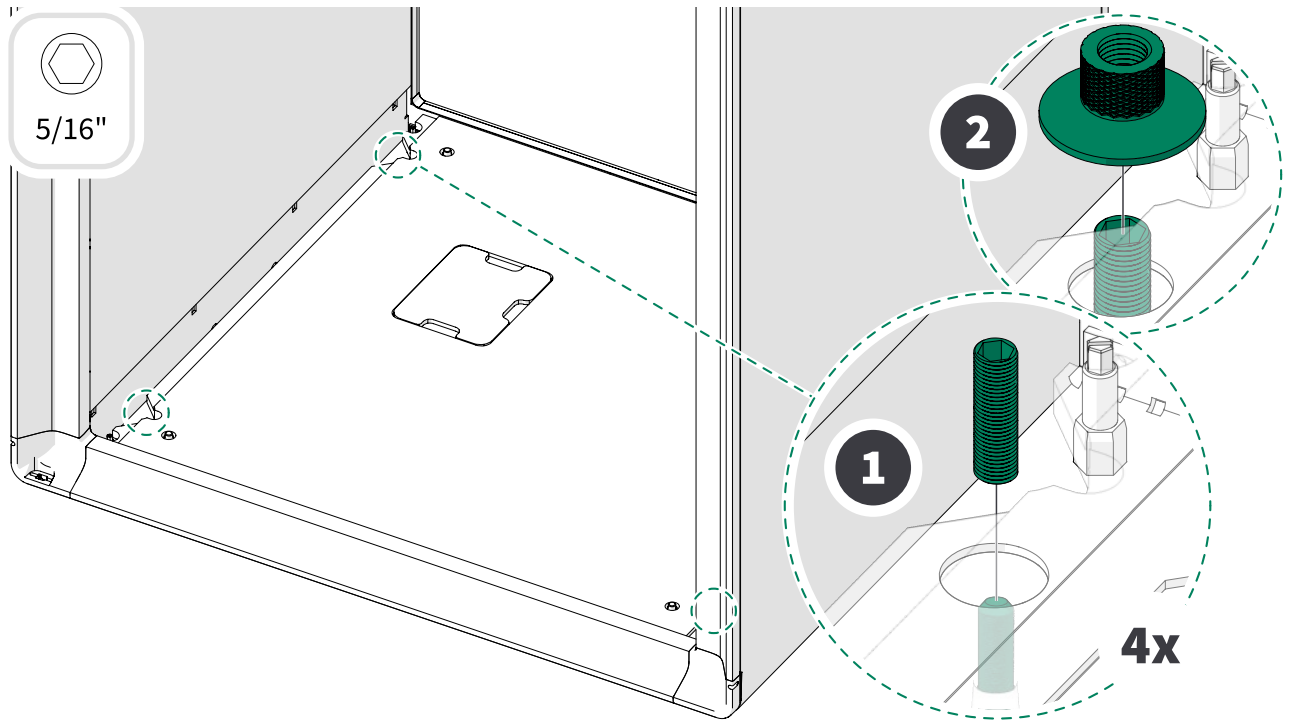
8. Carefully push the pod to the final location.



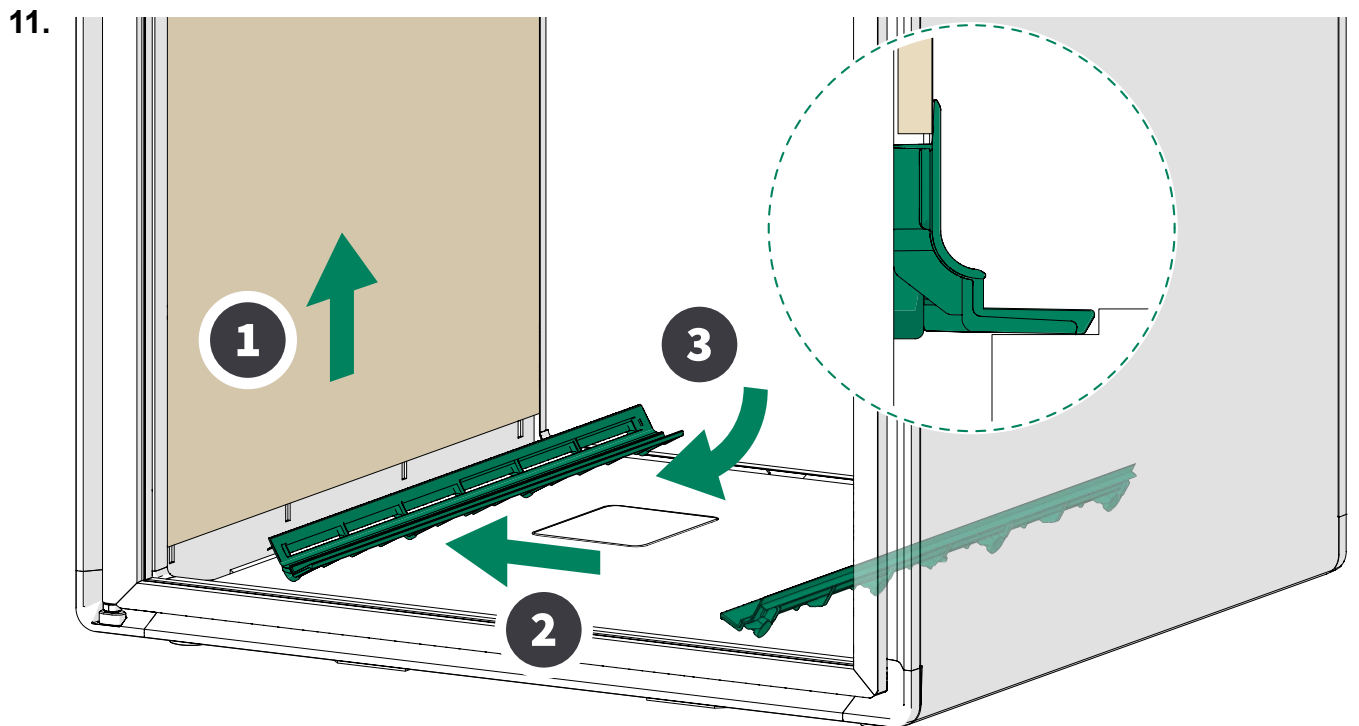
9. Screw out the pod leveling feet so that the pod stands on its feet. Level the pod.



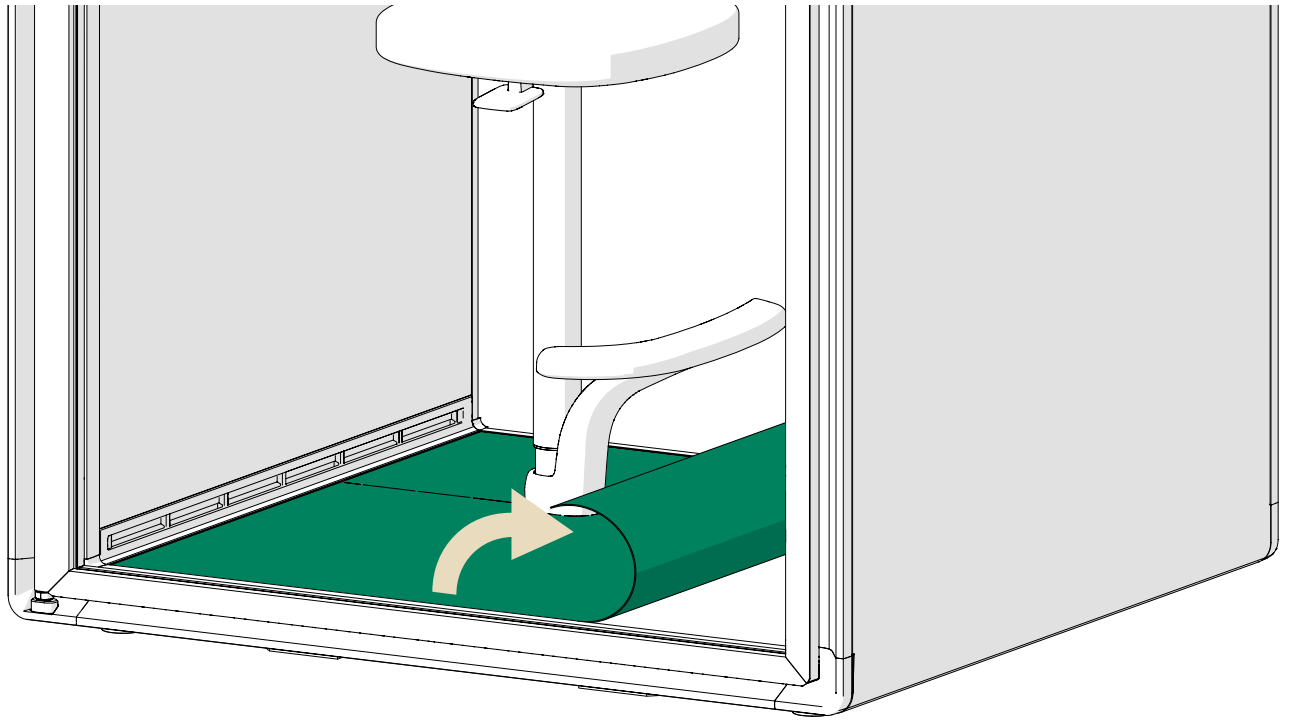
10. Install the earthquake sleeve and nut on the anchor (on all four corners).
Tighten the earthquake sleeve to the same torque as the anchor nut and the earthquake nut to finger-tight.



Once all four anchors are installed, the pod can be reassembled.



12.



framery

Framery Gradus Focus
Seismic kit installation instructions
Patamäenkatu 7
33900 Tampere
FINLAND
VAT: FI 23527139