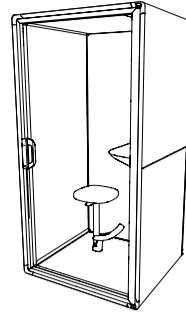


Framery Gradus Focus

Quick Installation Guide

version C.1



INSTALLATION
VIDEOS



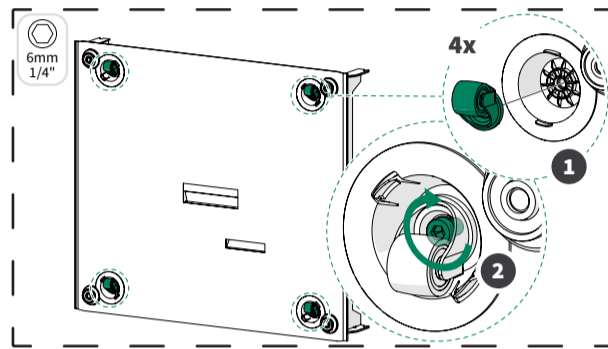
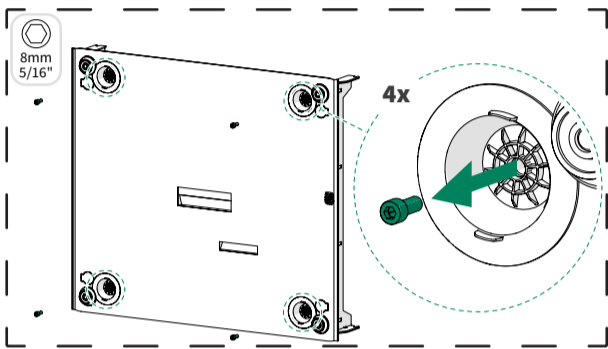
INSTALLATION
INSTRUCTIONS

SCREWS AND BOLTS ARE IN THE FASTENERS AND ACCESSORIES 1 BOX.

INSTALLATION STEPS MARKED WITH THIS SYMBOL ARE OPTIONAL.

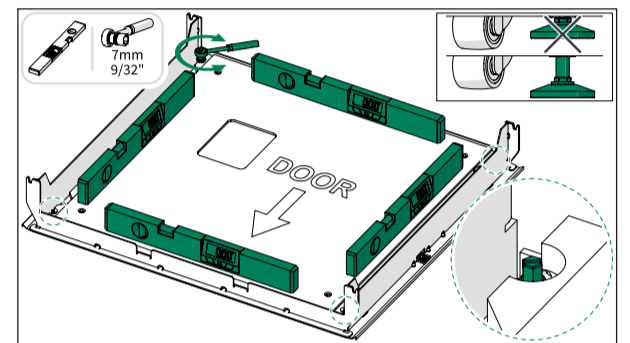
1. CHASSIS

Casters, optional



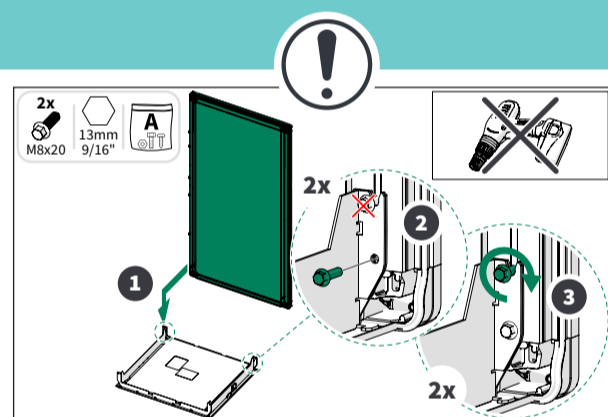
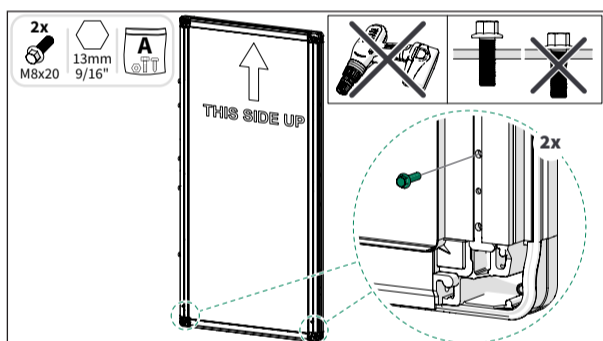
The casters are in the **FASTENERS & ACCESSORIES 2** box.

1.1 Level the floor



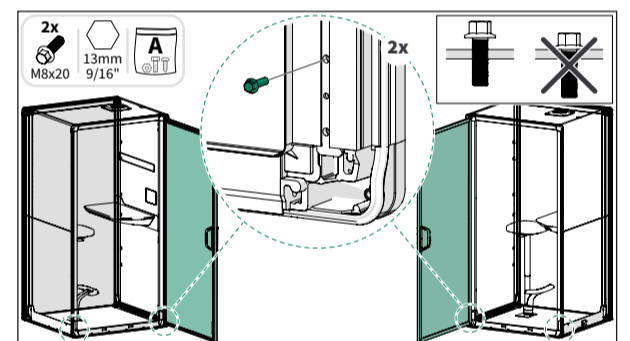
A uneven floor weakens the pod sound insulation. Level the floor, then stand on it to make sure that it is stable.

1.2 Back glass



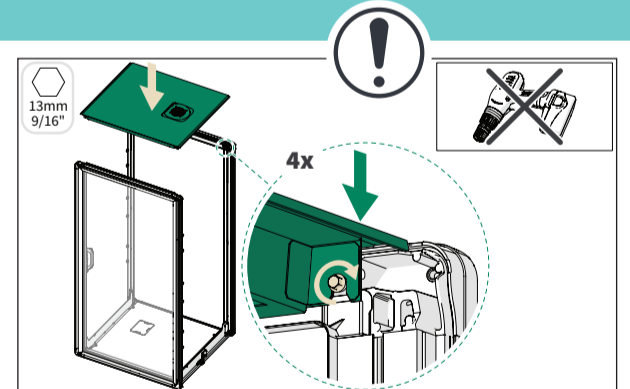
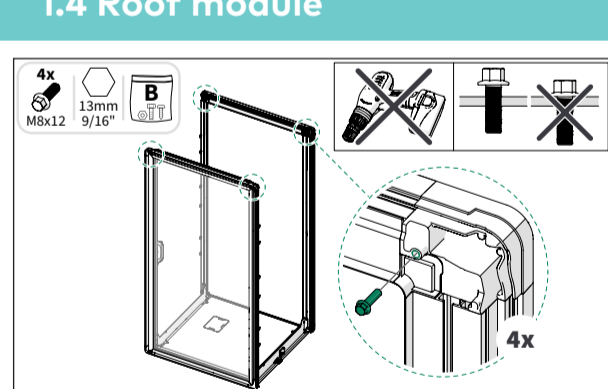
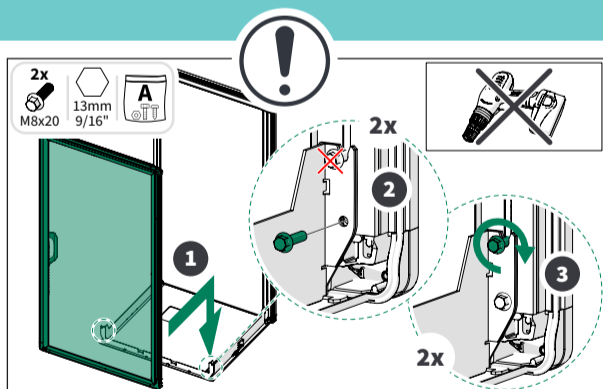
Do not leave the back glass unsupported until it is fastened to the floor module.

1.3 Door frame



The orientation of the door frame determines the door handedness.

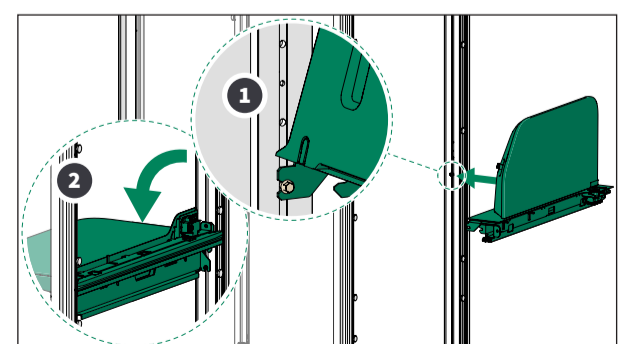
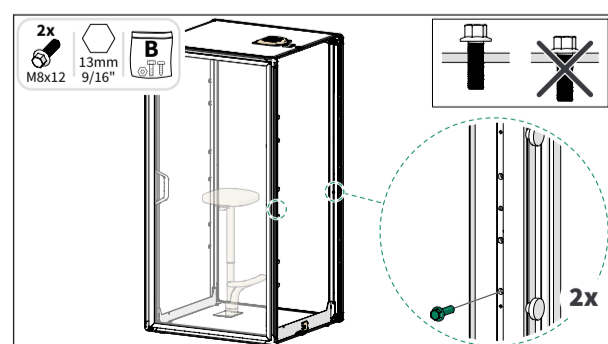
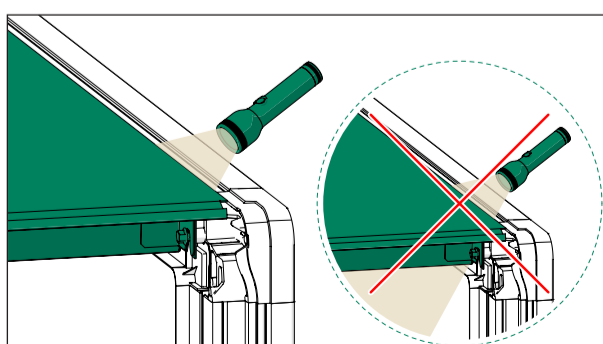
1.4 Roof module



Do not leave the door frame unsupported until it is fastened to the floor module.

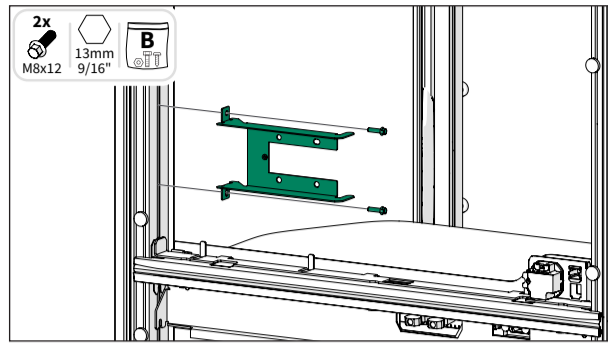
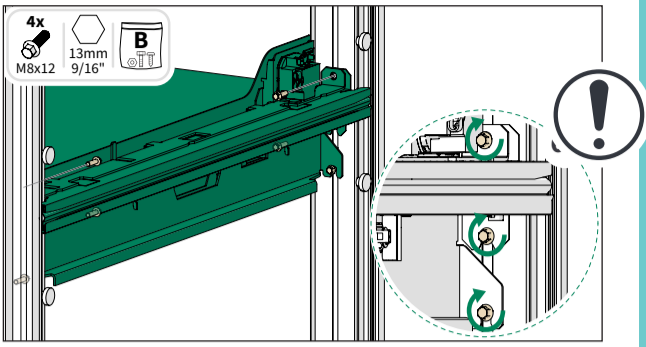
Before tightening the screws, pull down firmly on the roof module to make sure that it is seated properly.

1.5 Table

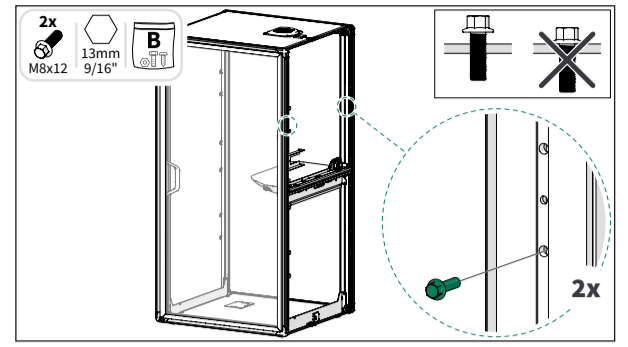


1. CHASSIS

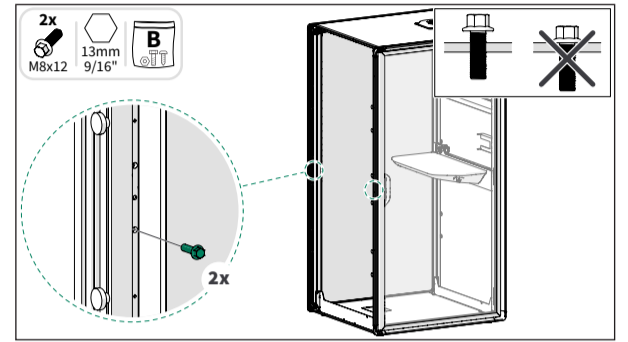
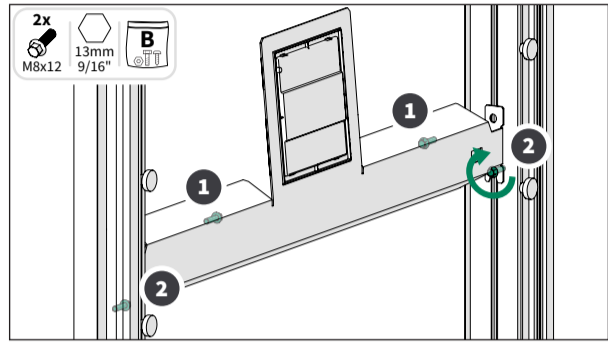
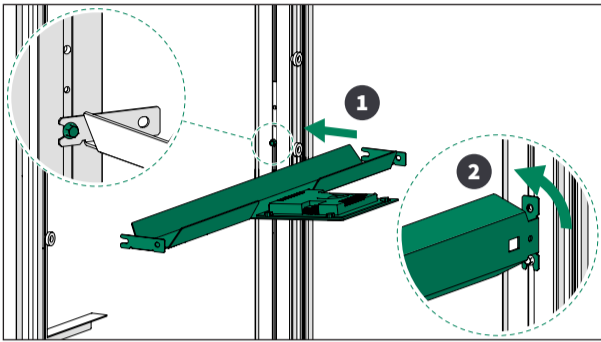
1.6 Touchscreen bracket



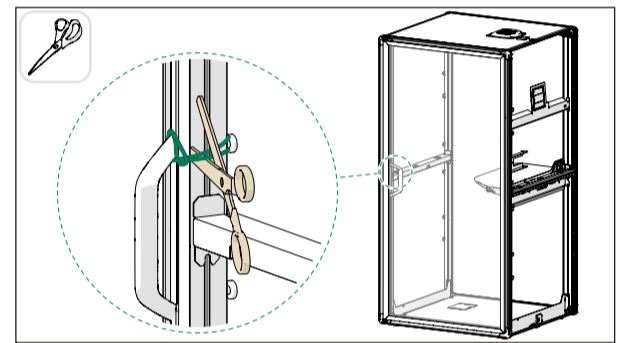
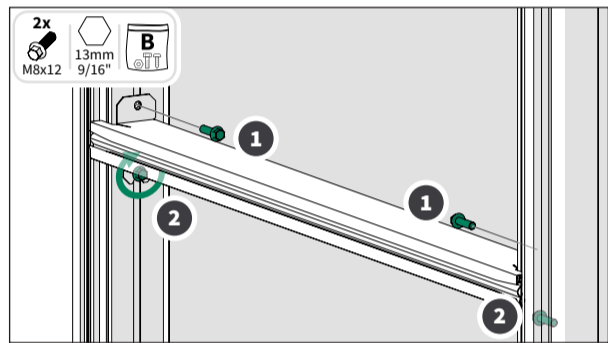
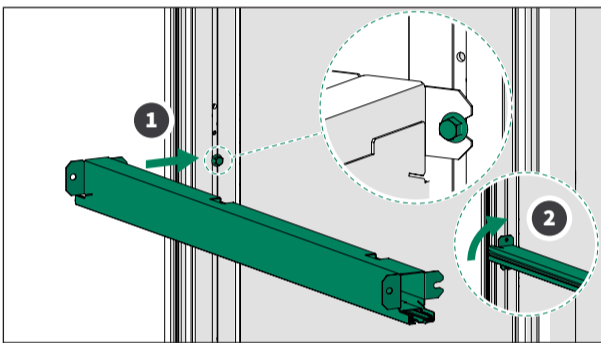
1.7 Wall light support



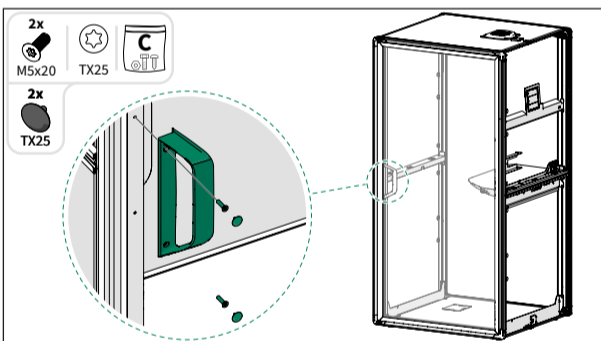
1.8 Back wall support



Remove door locking

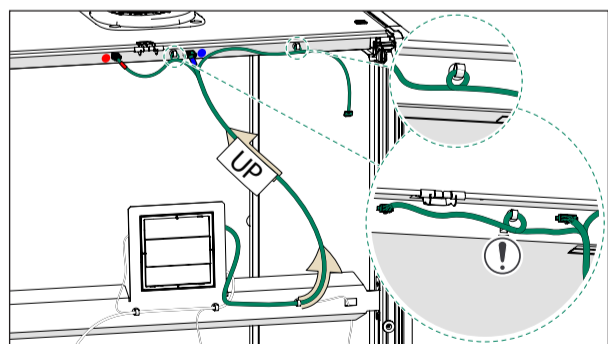
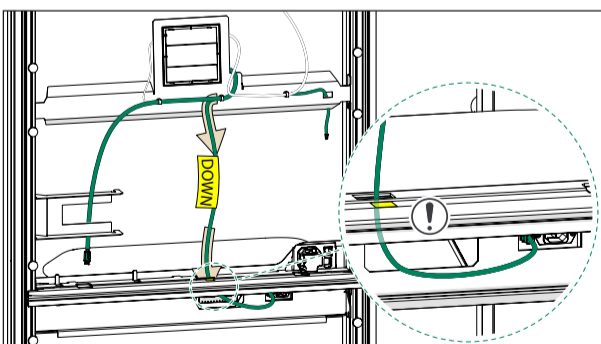


1.9 Door outside handle

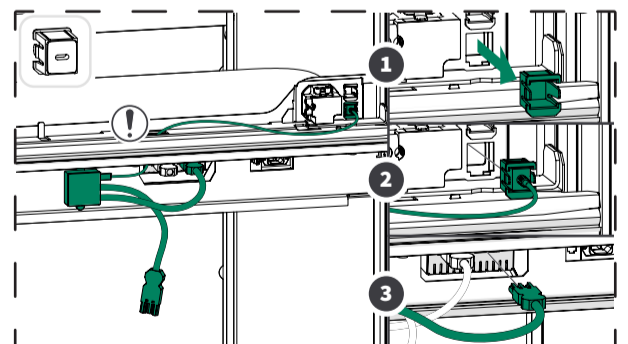


2. ELECTRICS

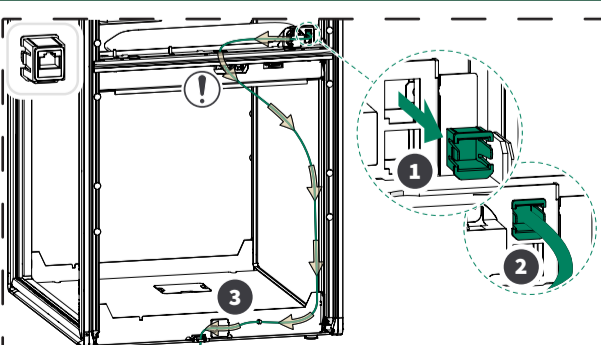
2.1 Wiring harness



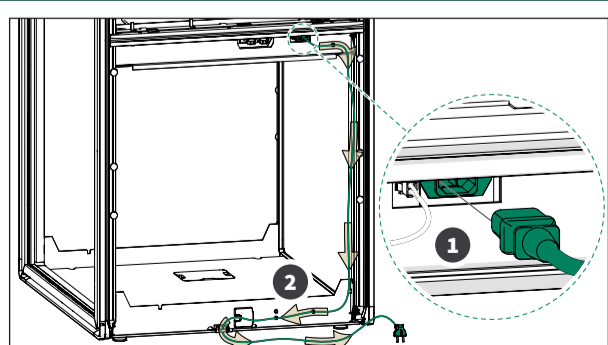
+ USB-C module, optional



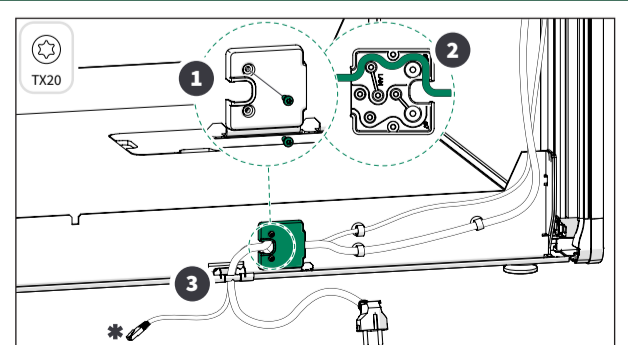
+ LAN, optional



2.3 AC power cord (floor)



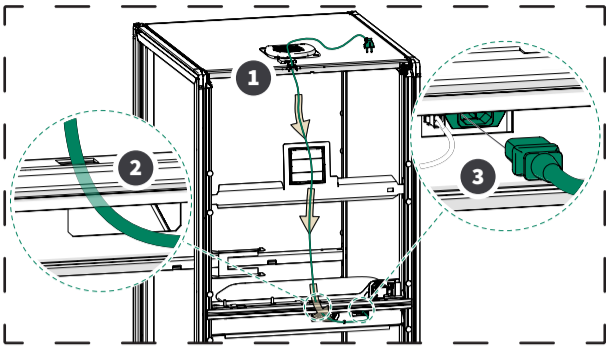
⚠ If the power cord is routed through the roof, continue to the next phase.



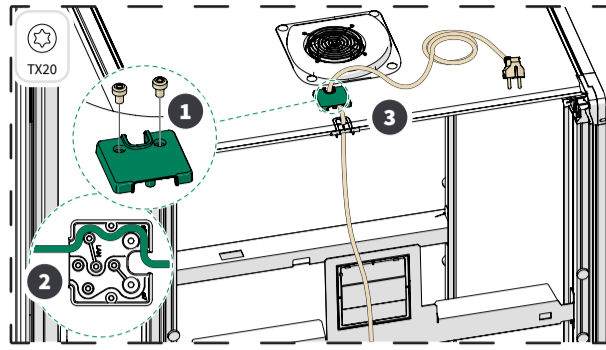
* = Optional LAN cable

2. ELECTRICS

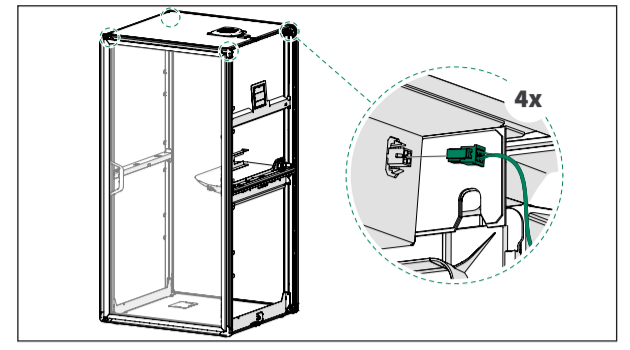
⊕ AC power cord (roof), optional



⚠ If the power cord is routed through the floor, continue to the next phase.

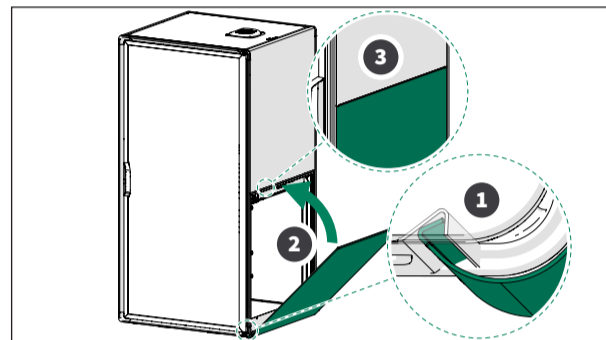
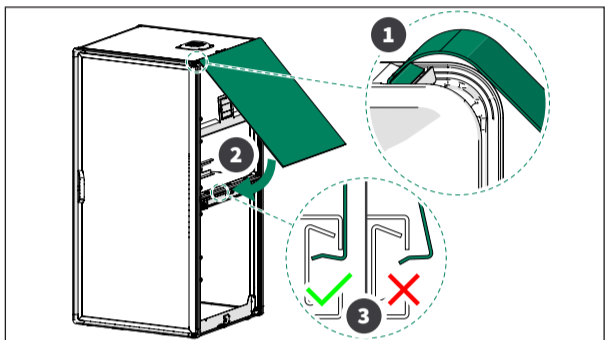


Occupancy lights



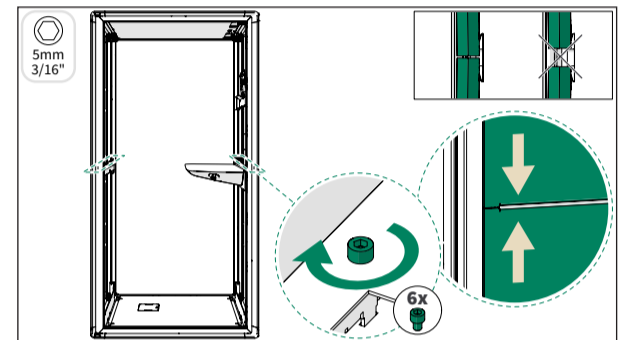
3. INSULATION & EXTERIOR

3.1 Wall exterior panels



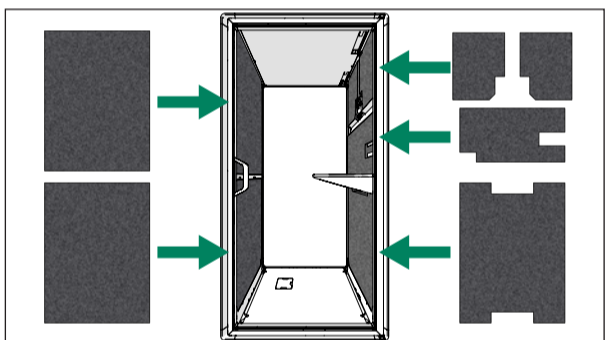
Repeat for the other wall.

Tighten the exterior panels



⚠ Check that the exterior panels are properly in place.

3.2 Acoustic panels overview



⚠ The acoustic panels are crucial for the pod soundproofing. Make sure that you install all of them (6 pcs).

Back wall acoustic panels

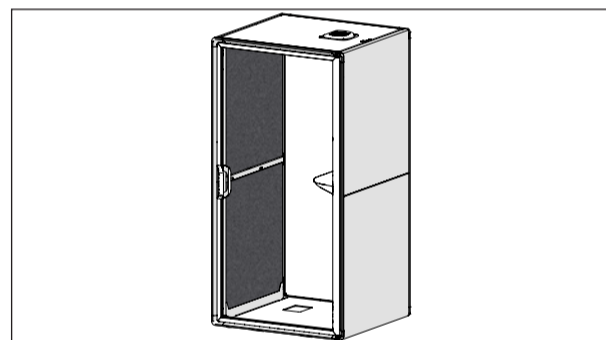
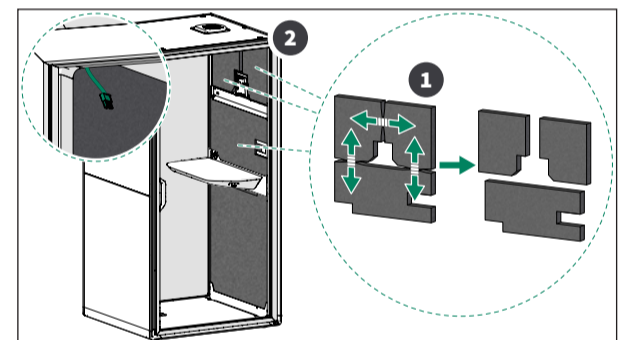
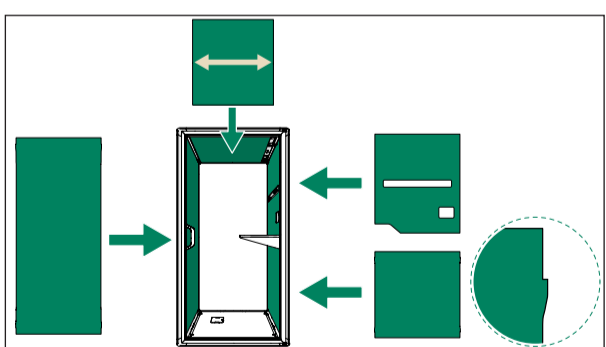


Table wall acoustic panels

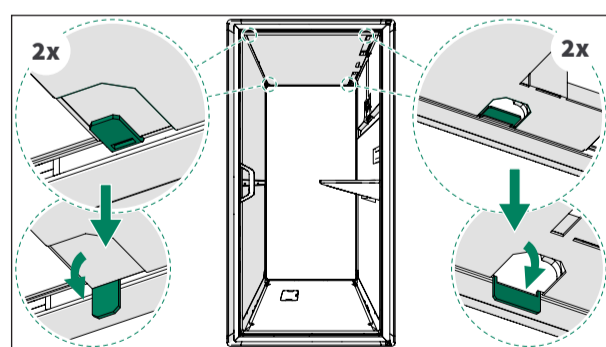


4. INTERIOR

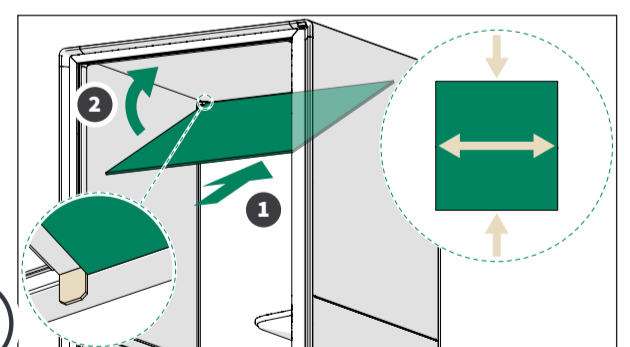
Interior panels overview



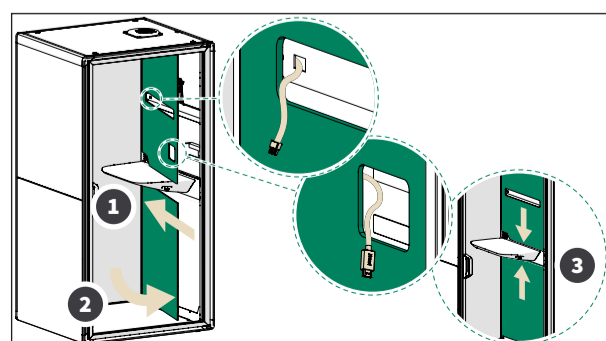
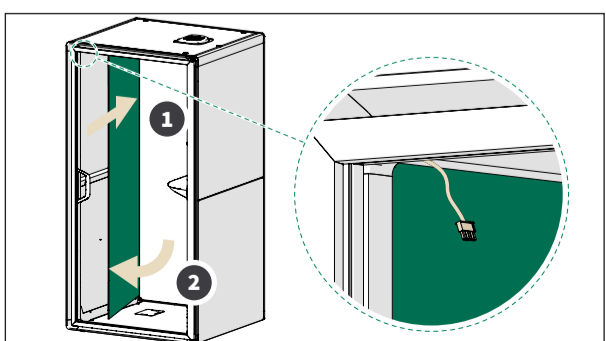
4.1 Ceiling interior panel



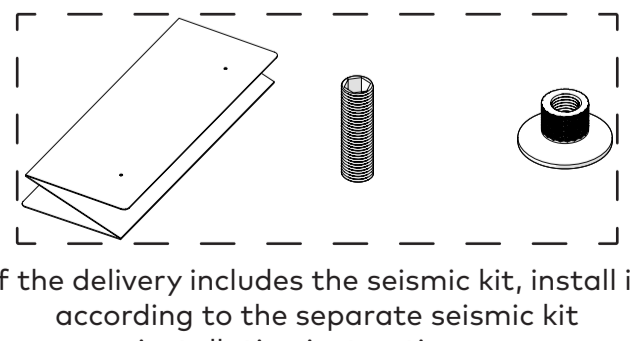
⚠ Bend down the positioning tabs for the ceiling interior panel.



4.2 Wall interior panels



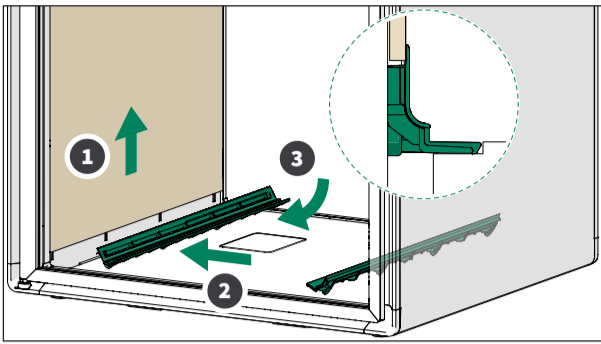
⊕ Seismic kit, optional



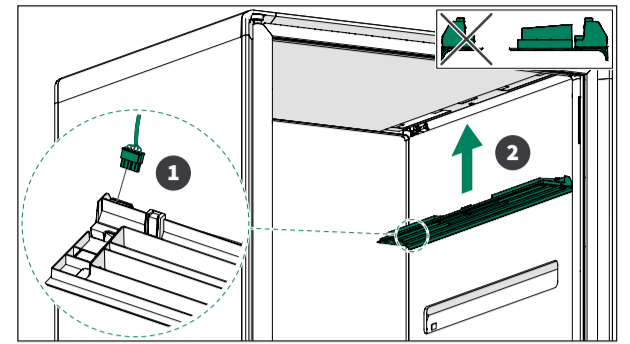
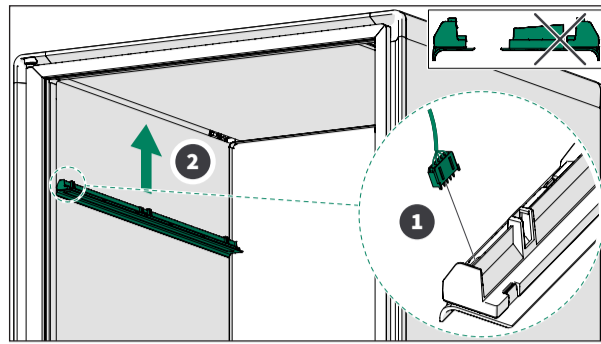
If the delivery includes the seismic kit, install it according to the separate seismic kit installation instructions.

4. INTERIOR

4.3 Kickboards

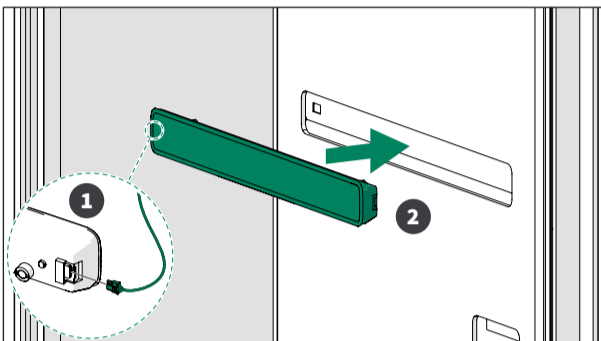


4.4 Ceiling lights

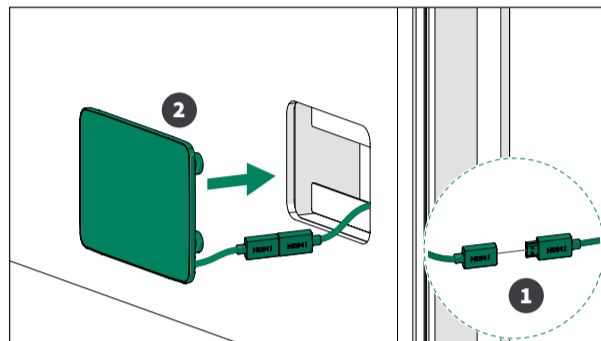


⚠ Check that the light cable is not caught behind the light.

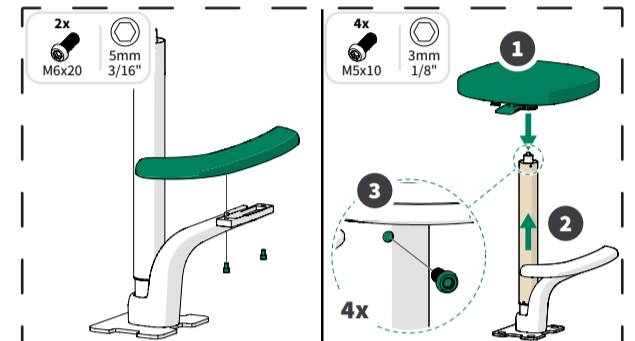
4.5 Wall light



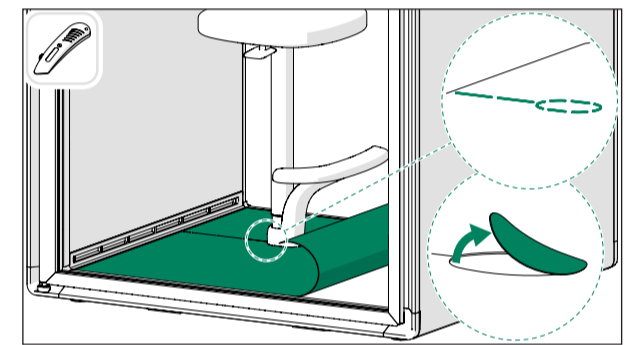
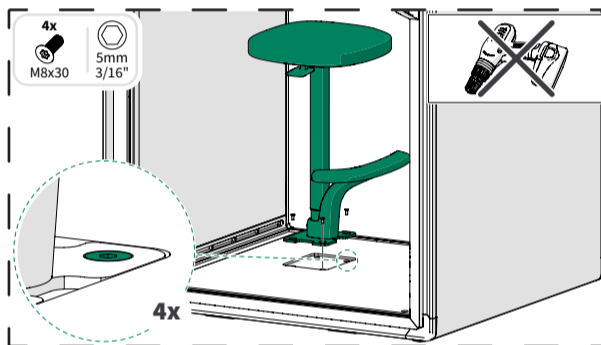
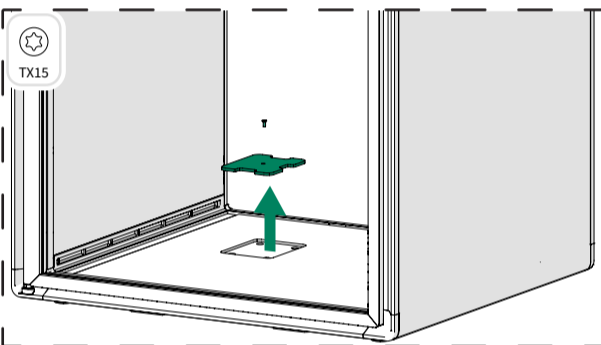
4.6 Touchscreen



+ 4.7 Seat, optional



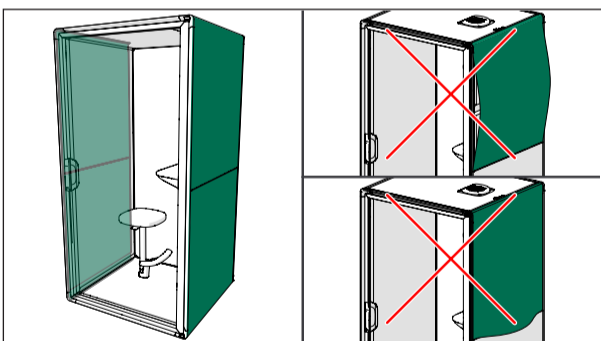
4.8 Carpet



⚠ If the delivery does not include a seat, do not cut the carpet.

Finalize the installation

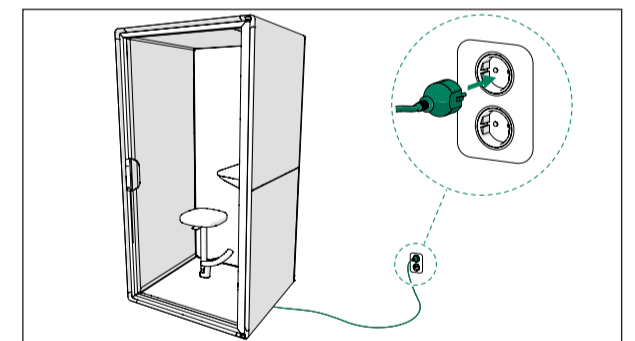
Check the exterior panels



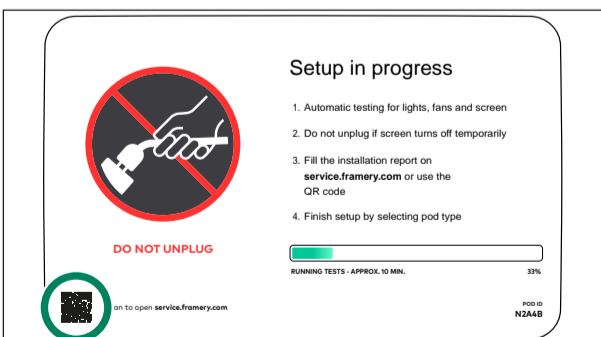
Clean the pod



Connect the power cord



Create an installation report



Scan the QR code to open the installation report.