

Contents

Important safety and product instructions.....	3
Preface.....	3
Product information.....	3
Copyright.....	3
Manual contents.....	3
1 Chassis.....	4
Install the casters (optional).....	4
1.1 Level the floor.....	4
1.2 Install the back glass.....	5
1.3 Install the door frame.....	6
1.4 Install the roof module.....	7
1.5 Install the table.....	8
1.6 Install the touchscreen bracket.....	10
1.7 Install the wall light support.....	10
1.8 Install the back wall support.....	12
1.9 Install the door outside handle.....	13
2 Electrics.....	15
2.1 Install the wiring harness.....	15
Install the USB-C module (optional).....	16
Install the LAN cord (optional).....	16
2.2 Install the AC power cord.....	17
Install the AC power cord, roof (optional).....	18
2.3 Install the occupancy lights.....	19
3 Insulation and exterior.....	20
3.1 Install the wall exterior panels.....	20
3.2 Install the acoustic panels.....	21
4 Interior.....	23
Interior panels overview.....	23
4.1 Install the ceiling interior panel.....	23
4.2 Install the wall interior panels.....	24
Install the seismic kit (optional).....	25
4.3 Install the kickboards.....	25
4.4 Install the ceiling lights.....	25
4.5 Install the wall light.....	26
4.6 Install the touchscreen.....	27
4.7 Install the seat (optional).....	27
4.8 Install the carpet.....	29
5 Finalize the installation.....	31

Important safety and product instructions

Preface

This instruction manual describes the installation of the product. Everyone involved in installing the product must read and understand the contents of the installation and safety instructions.

This instruction manual gives you necessary information for the correct installation of the product.

For complete product and safety instructions, see **help.framery.com**.

Product information

The information in this manual corresponds to the product at the time of delivery. All information included in this manual is valid at the time of publication.

Copyright

This document must not be copied, presented, or delivered to a third party without explicit permission from Framery. The use of this document for any purpose other than those allowed by Framery is prohibited. Framery reserves the right to change the instructions related to the product without separate notice.

Manual contents

The installation instructions contain the following information:

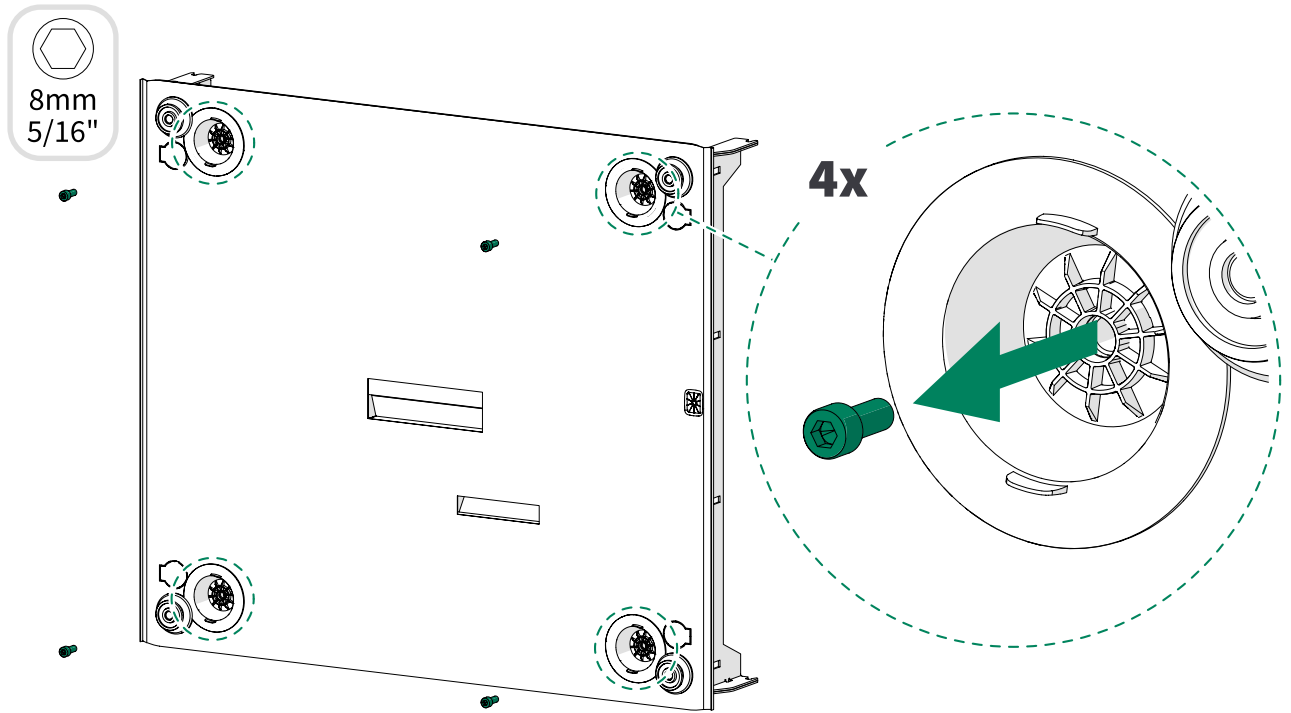
- General information about the purpose and content of the instructions
- Information related to safety
- Installation instructions

1 Chassis

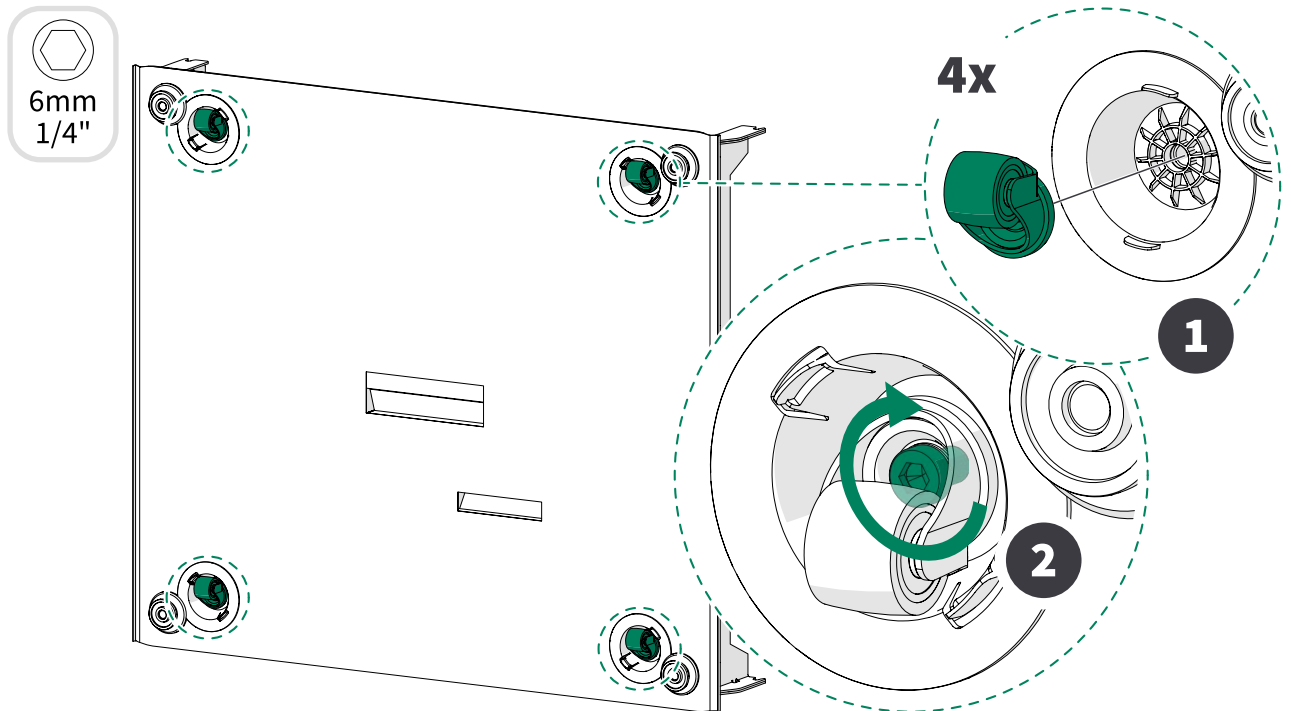
Install the casters (optional)

Note: The casters are in the FASTENERS & ACCESSORIES 2 box.

1.

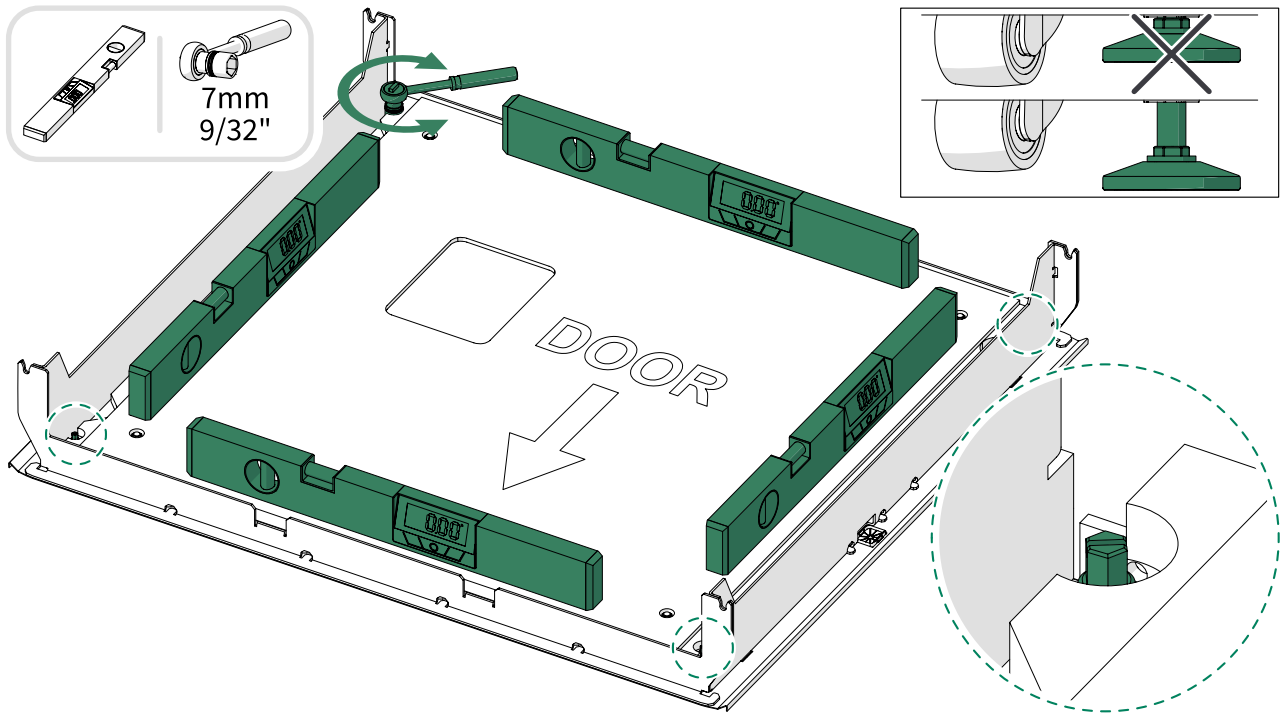


2.



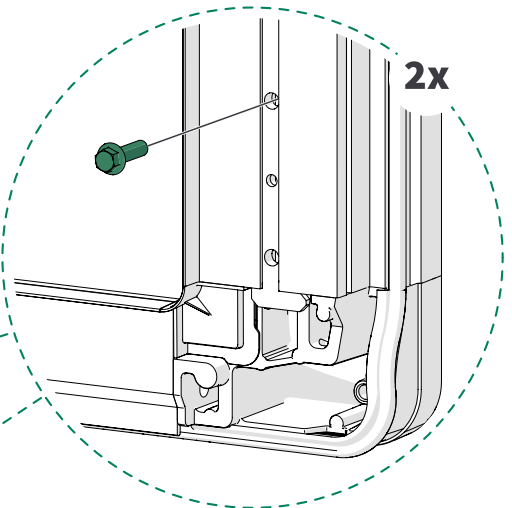
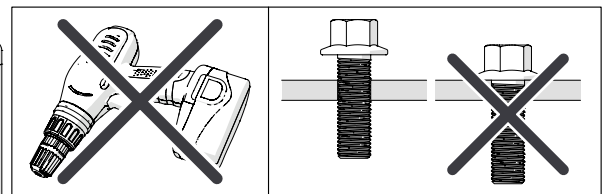
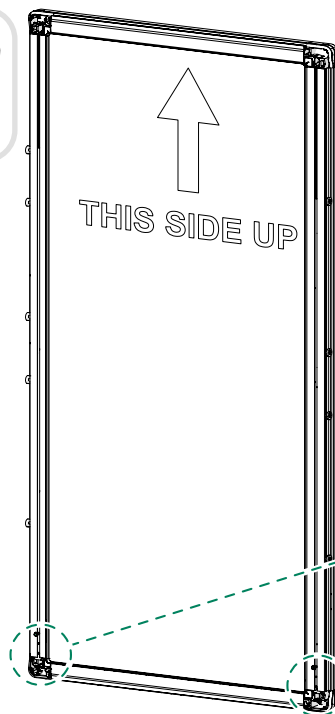
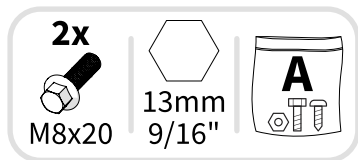
1.1 Level the floor


Note: An uneven floor weakens the sound insulation of the pod. Level the floor, then stand on it to make sure that it is stable.

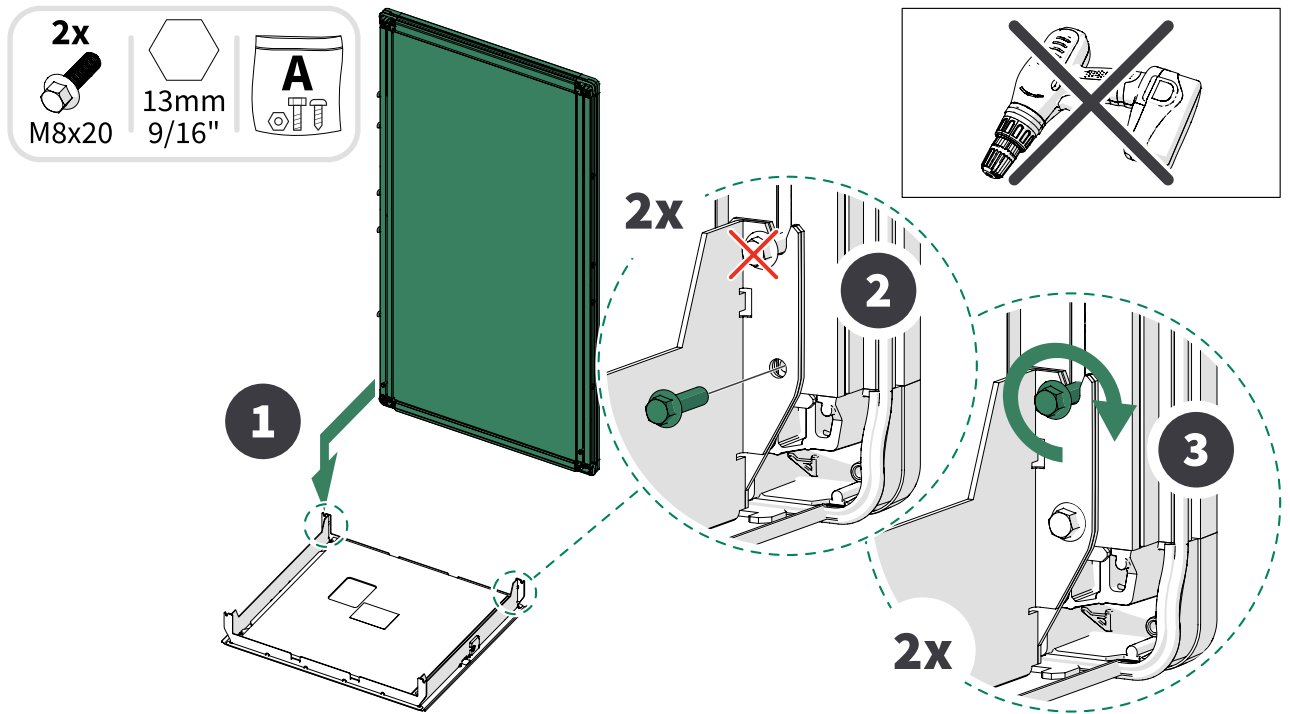


1.2 Install the back glass

1.

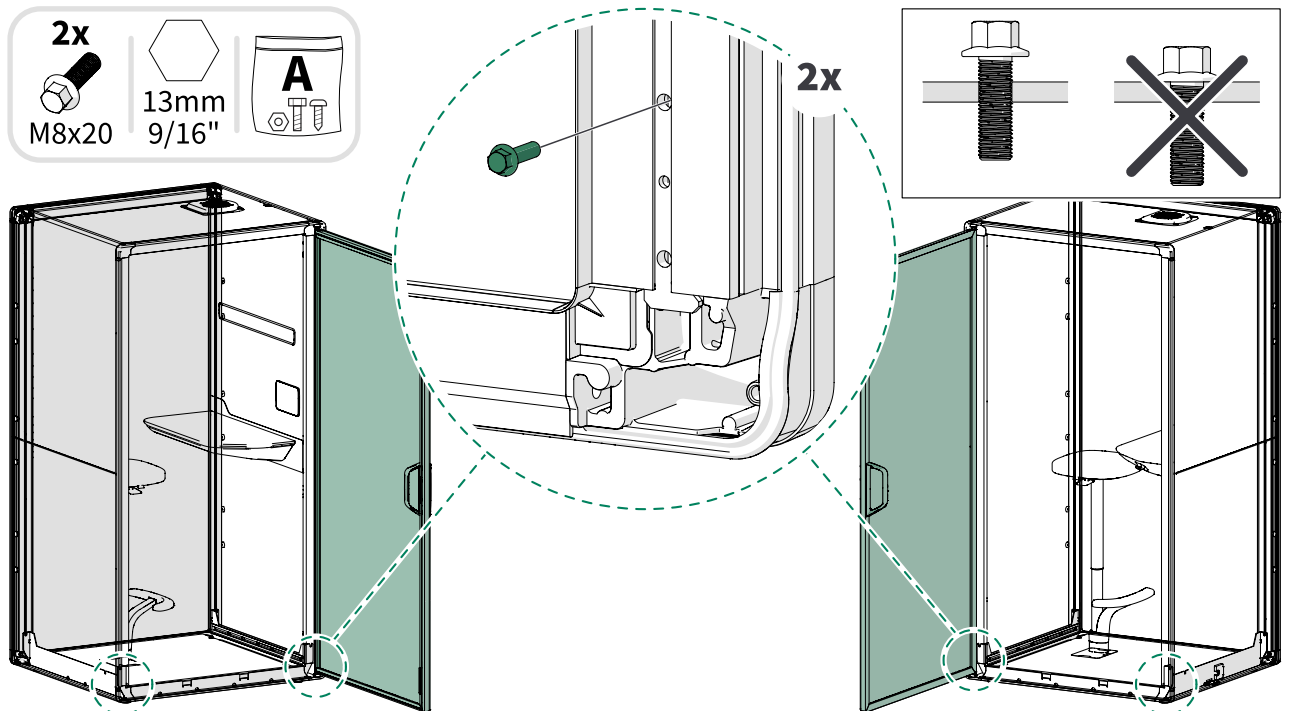


2.  **Warning:** Do not leave the back glass unsupported until it is fastened to the floor module.

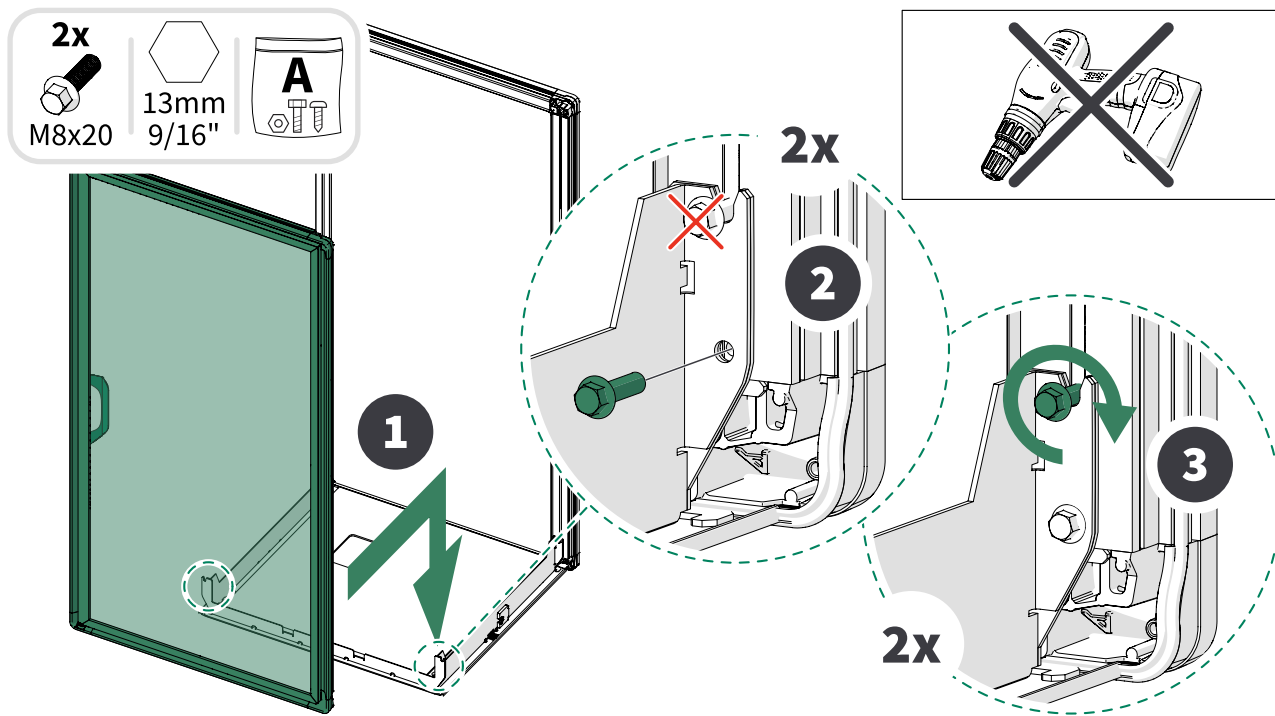


1.3 Install the door frame

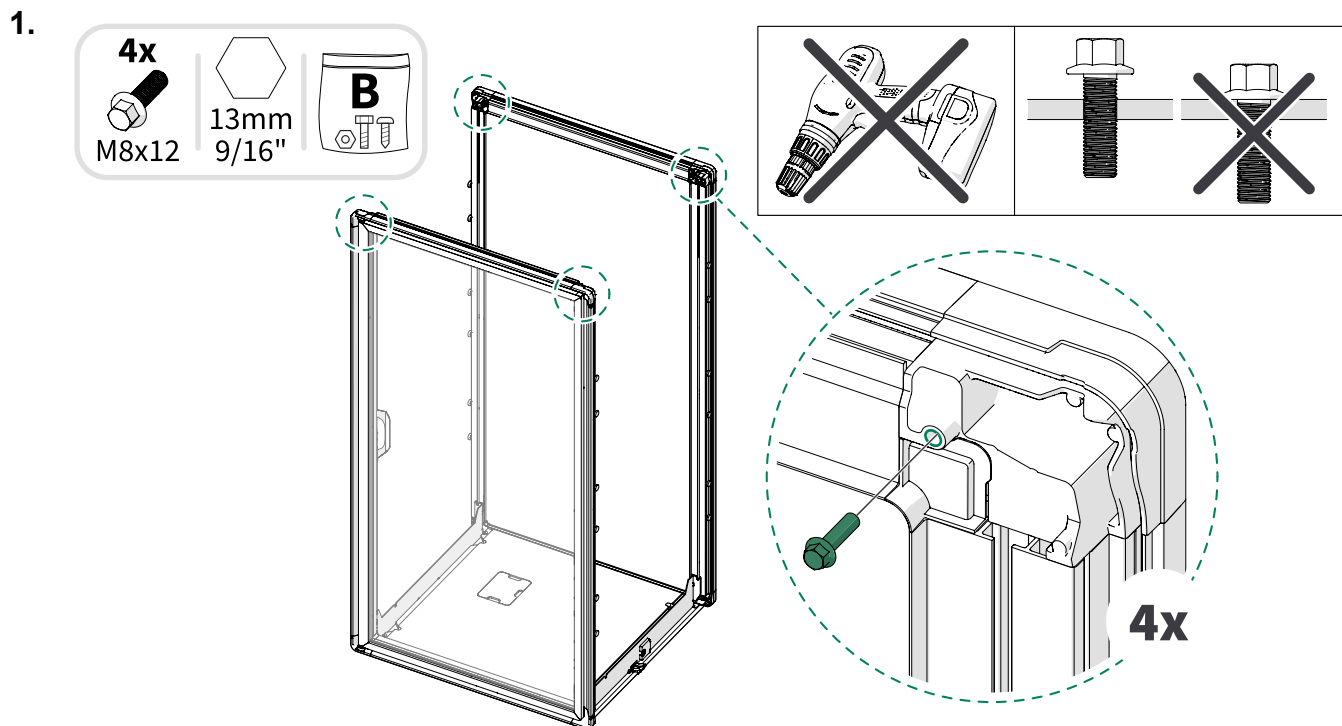
1.  **Note:** The orientation of the door frame determines the door handedness.



2.  **Warning:** Do not leave the door frame unsupported until it is fastened to the floor module.



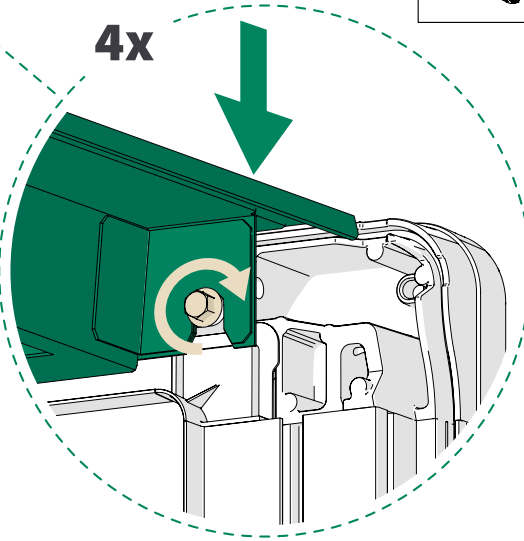
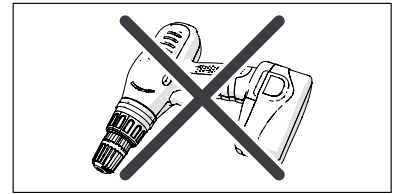
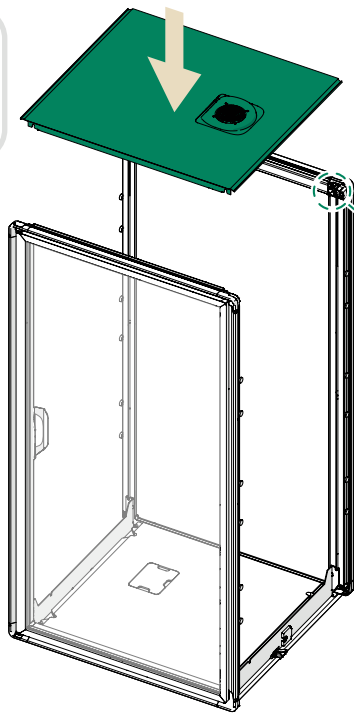
1.4 Install the roof module



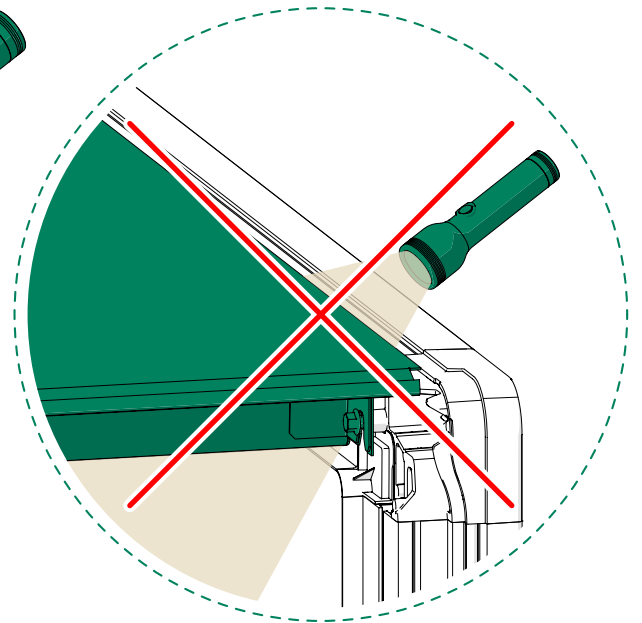
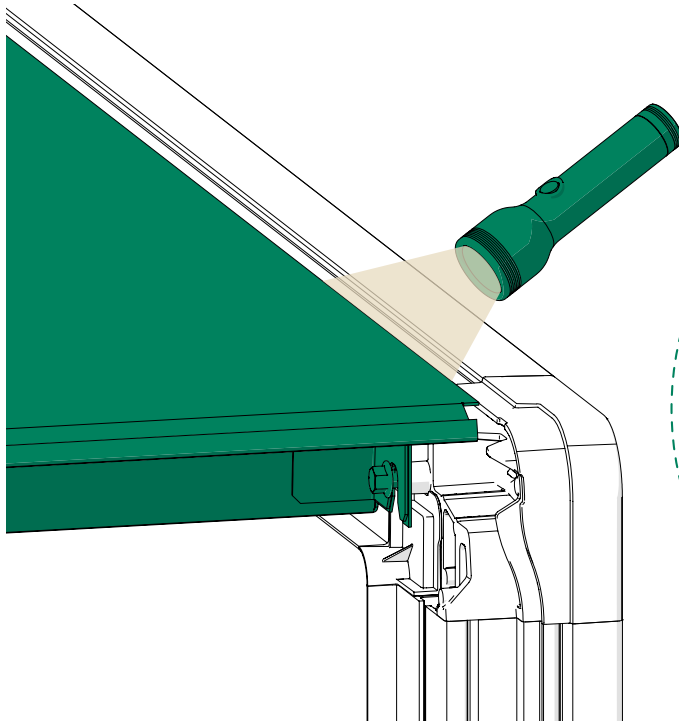
2.



Note: Before tightening the screws, pull down firmly on the roof module to make sure that it is seated properly.

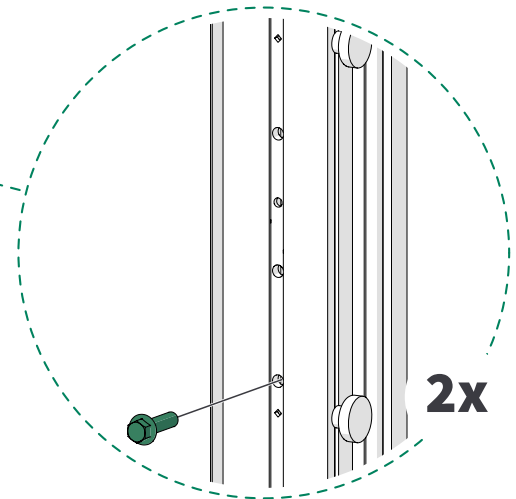
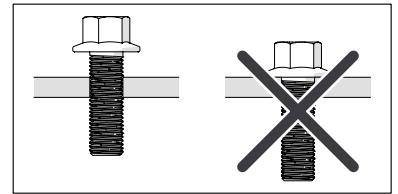


3.

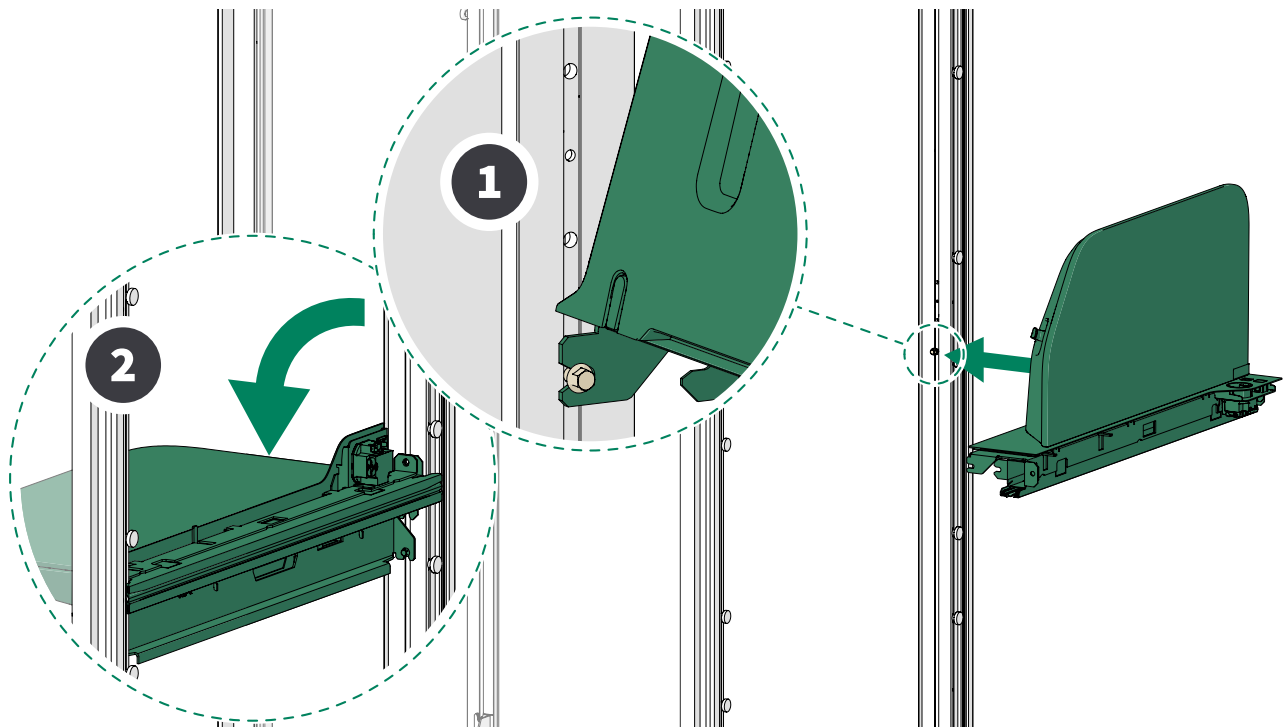


1.5 Install the table

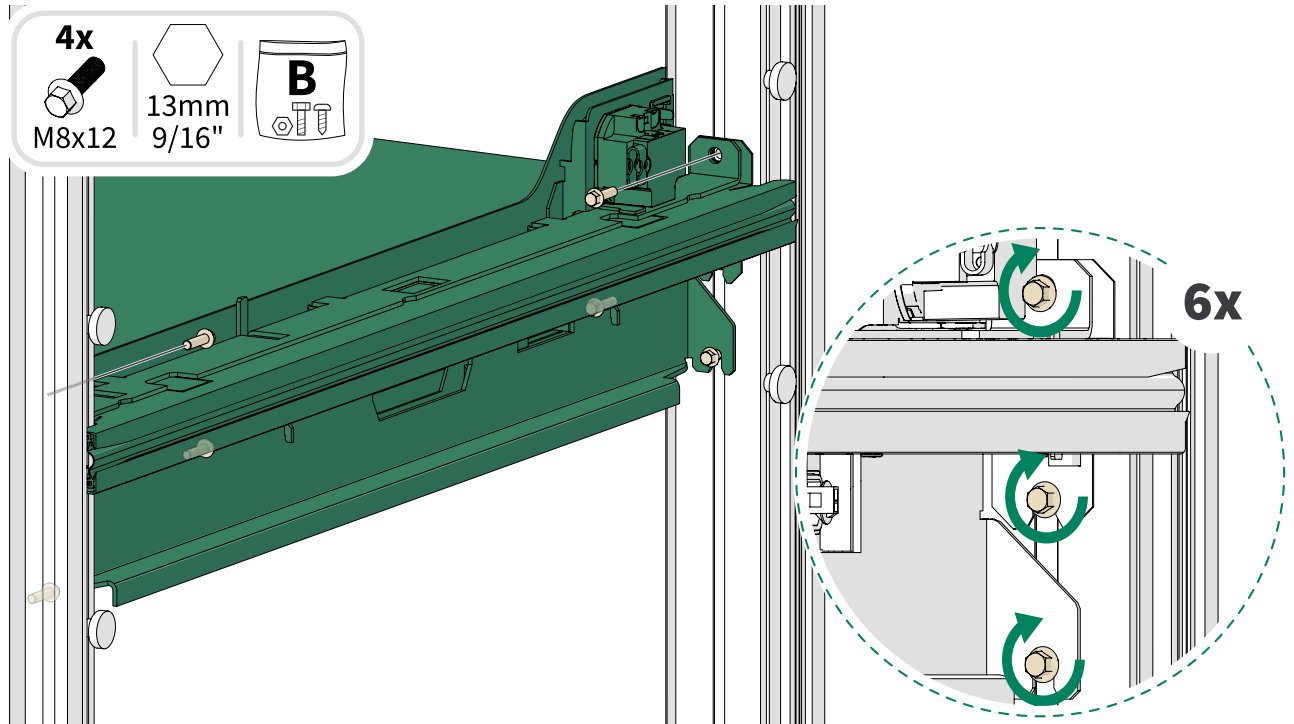
1.



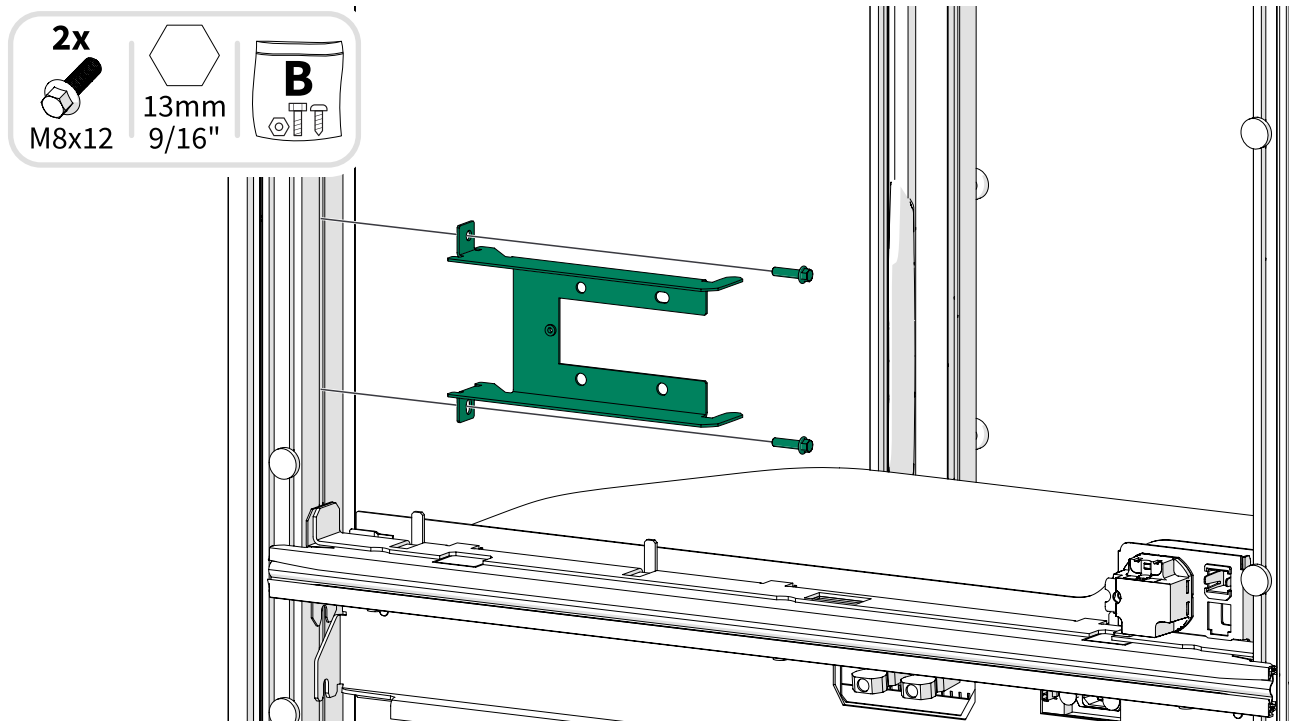
2.



3.

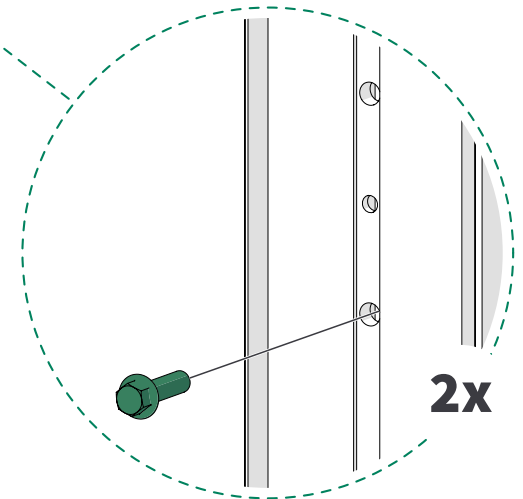
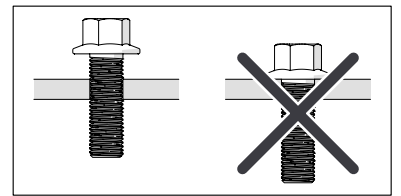
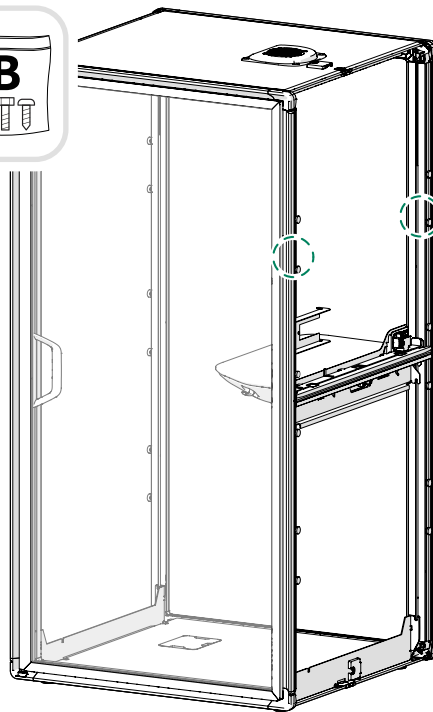
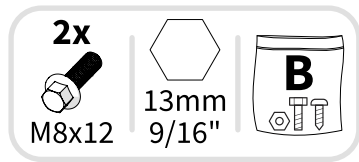


1.6 Install the touchscreen bracket

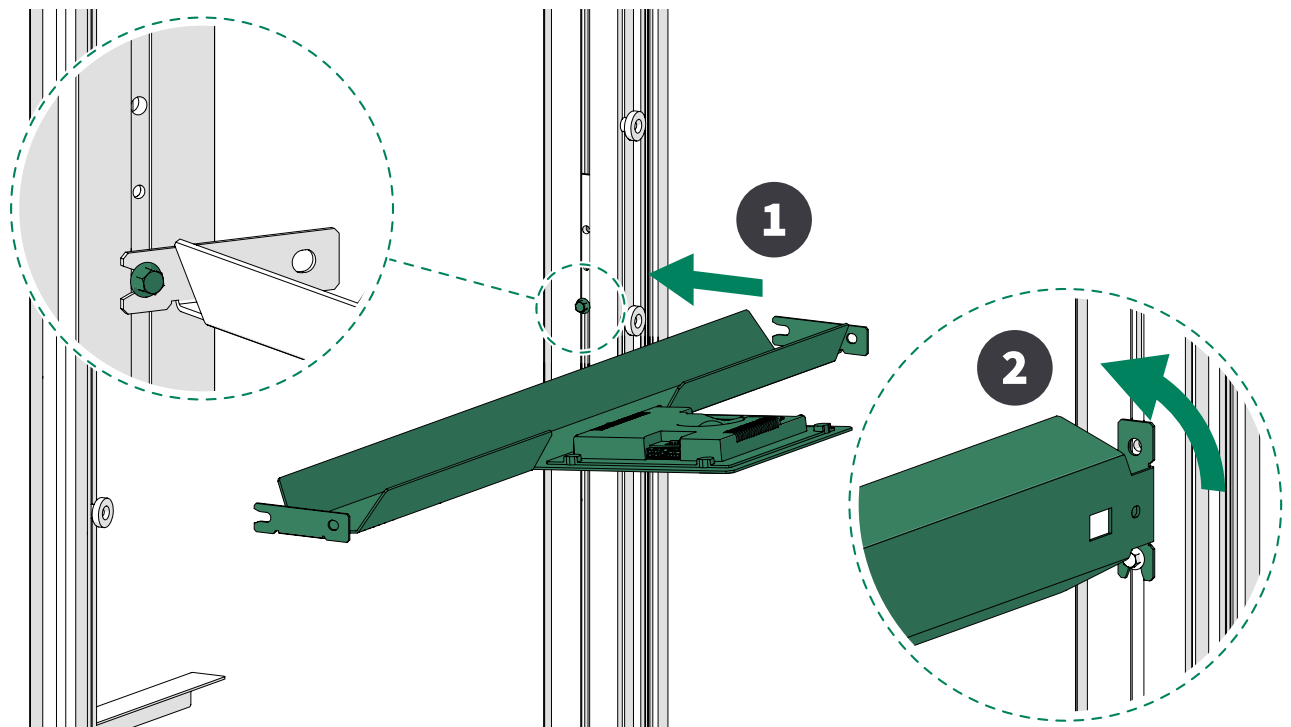


1.7 Install the wall light support

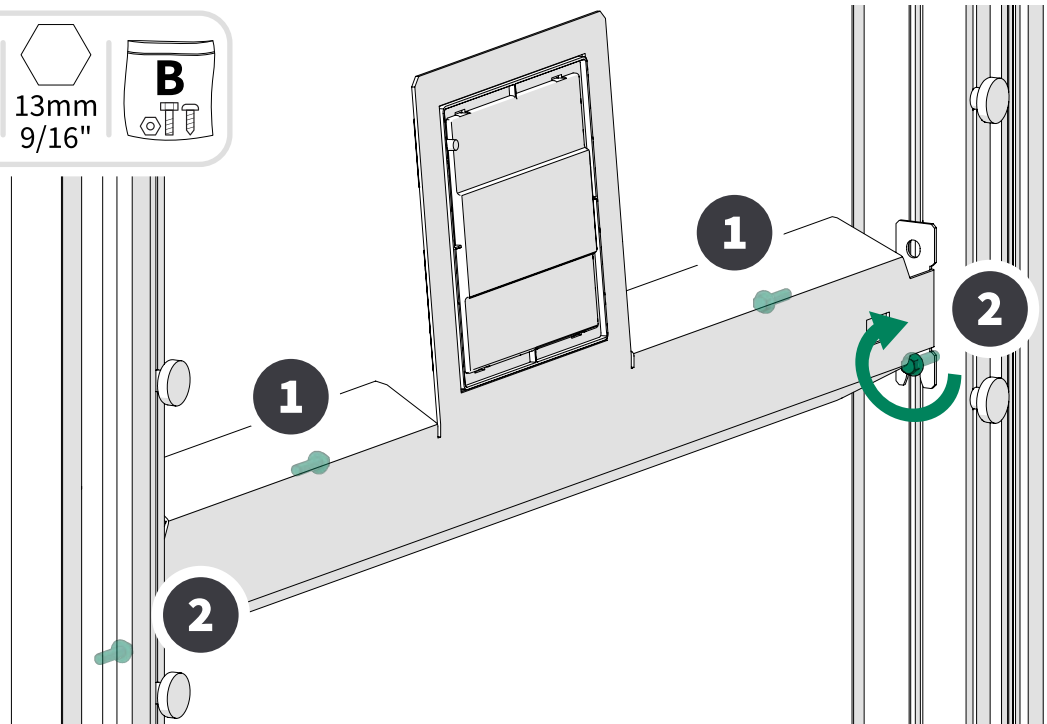
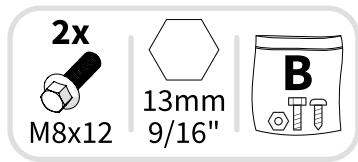
1.



2.

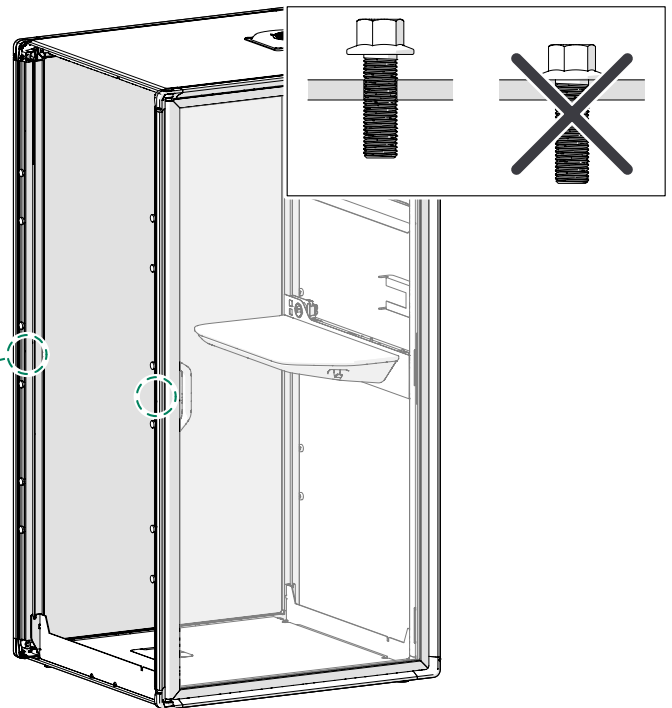
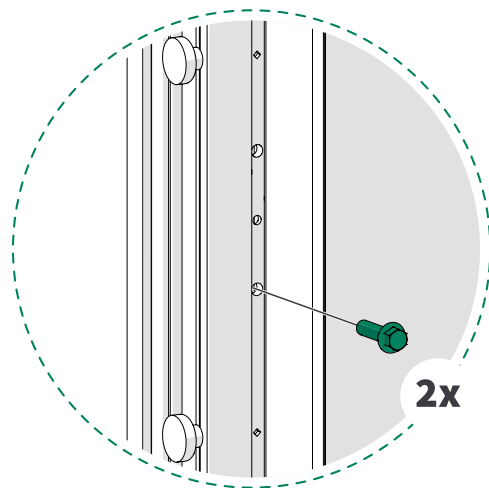
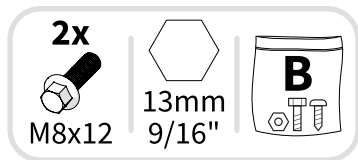


3.

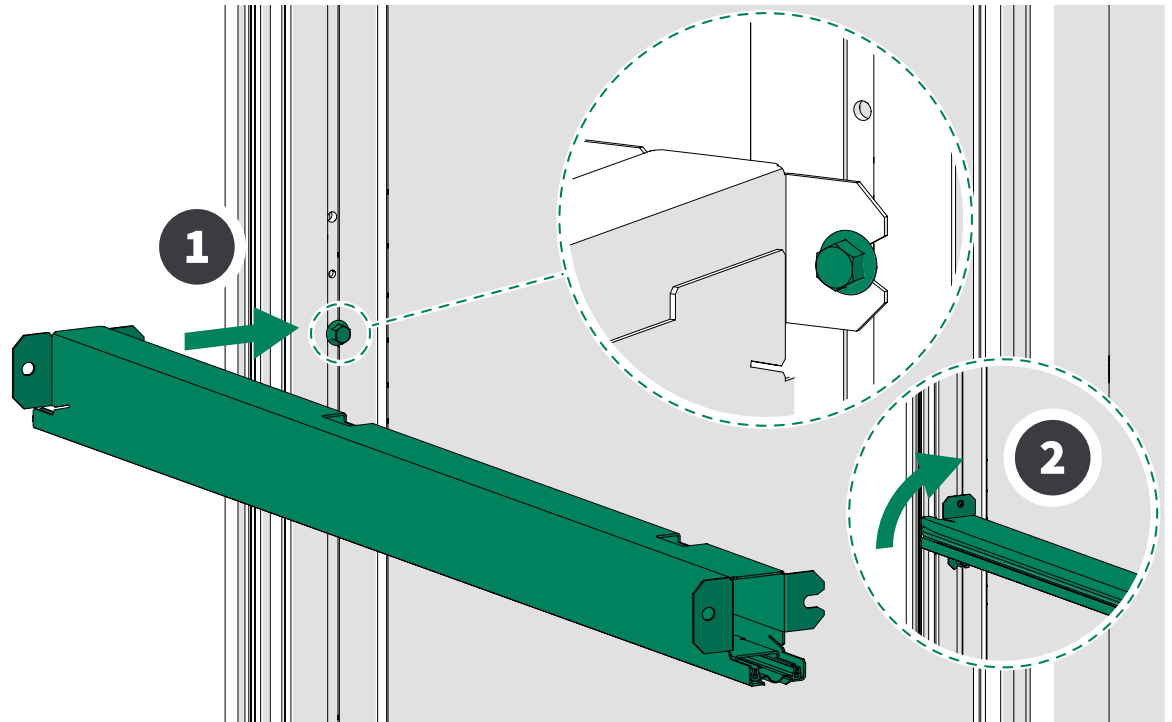


1.8 Install the back wall support

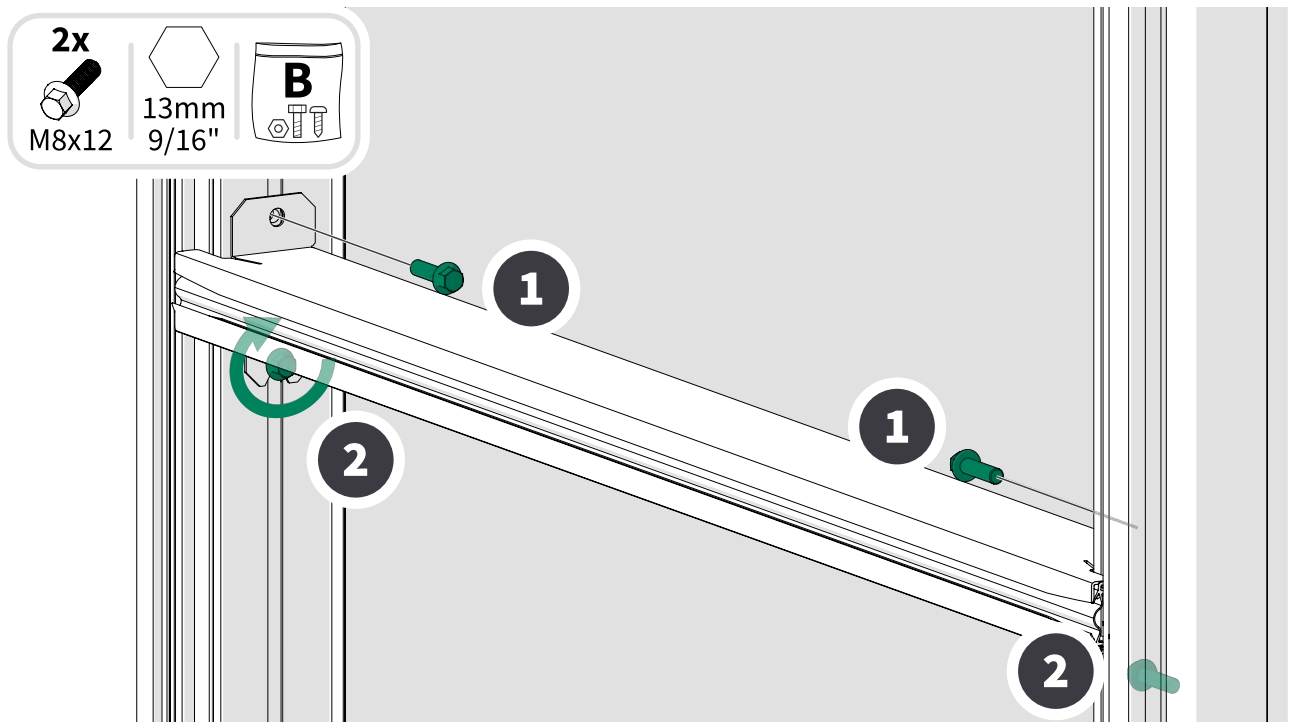
1.



2.

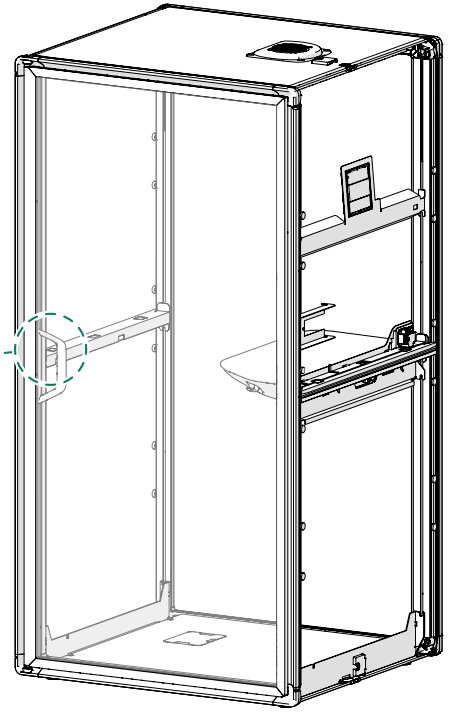
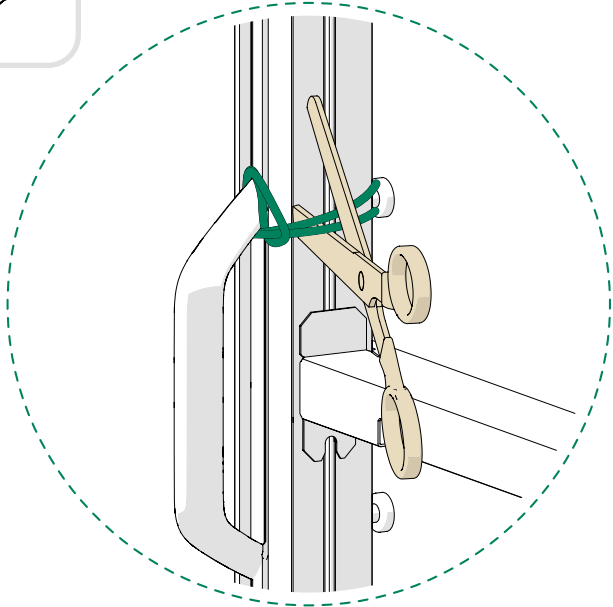


3.

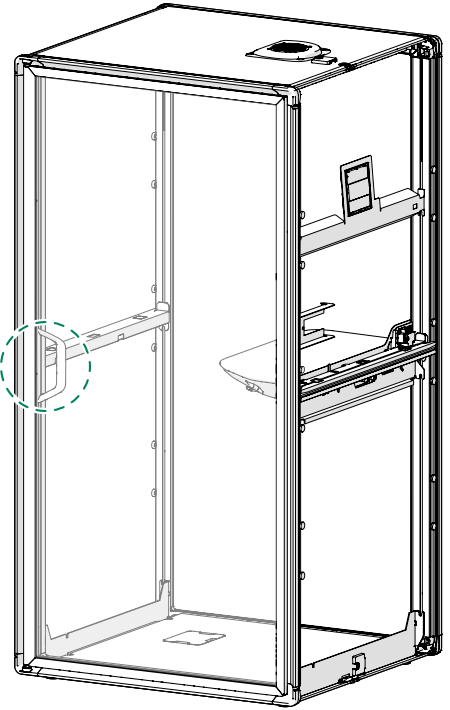
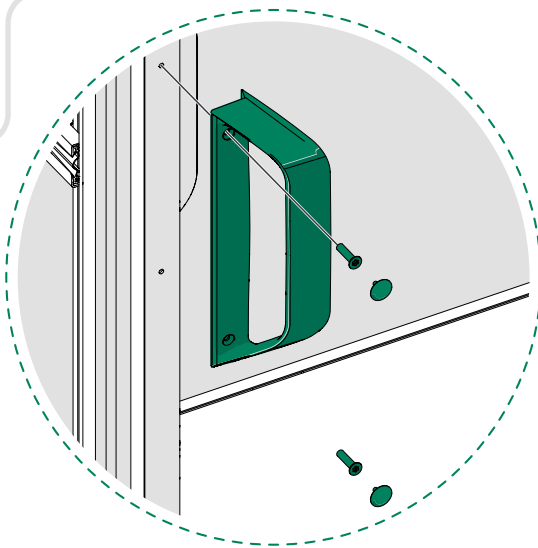
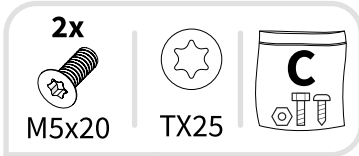


1.9 Install the door outside handle

1.



2.



2 Electrics

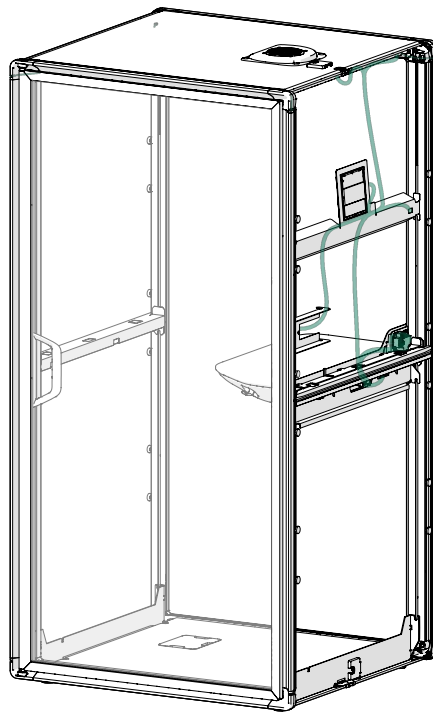
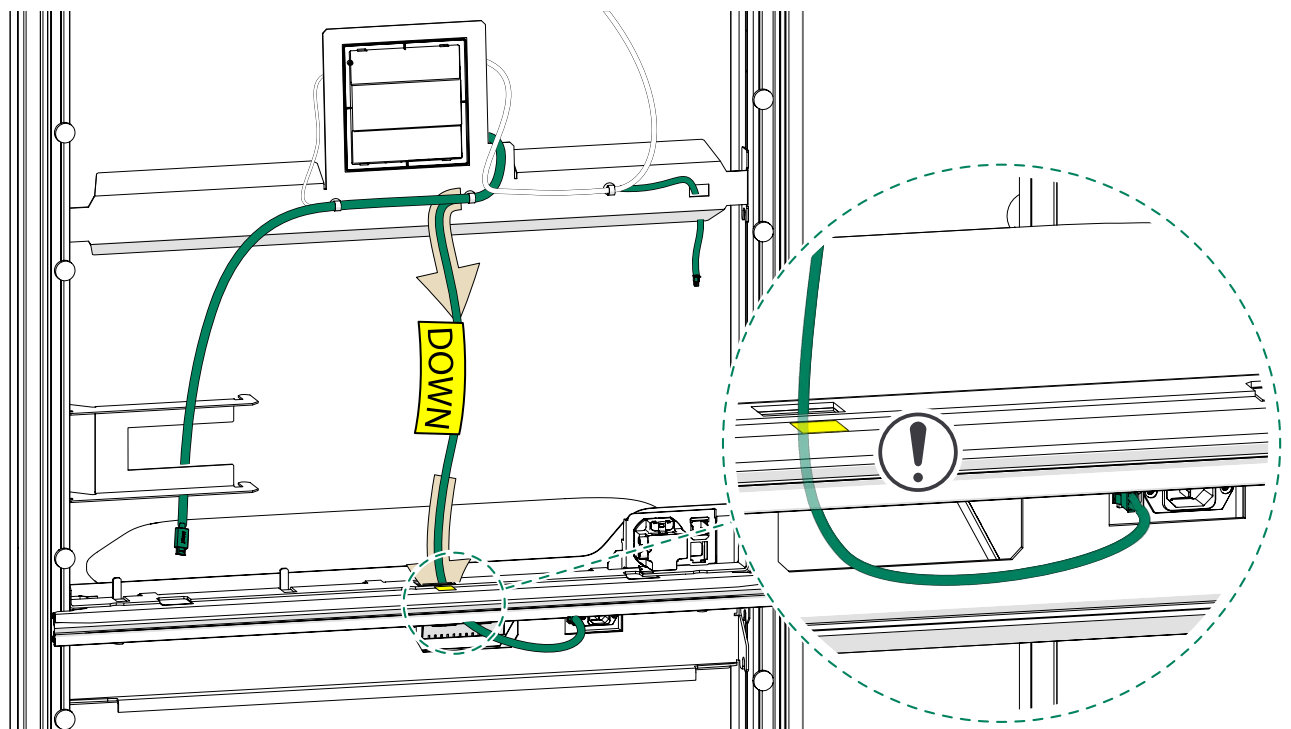


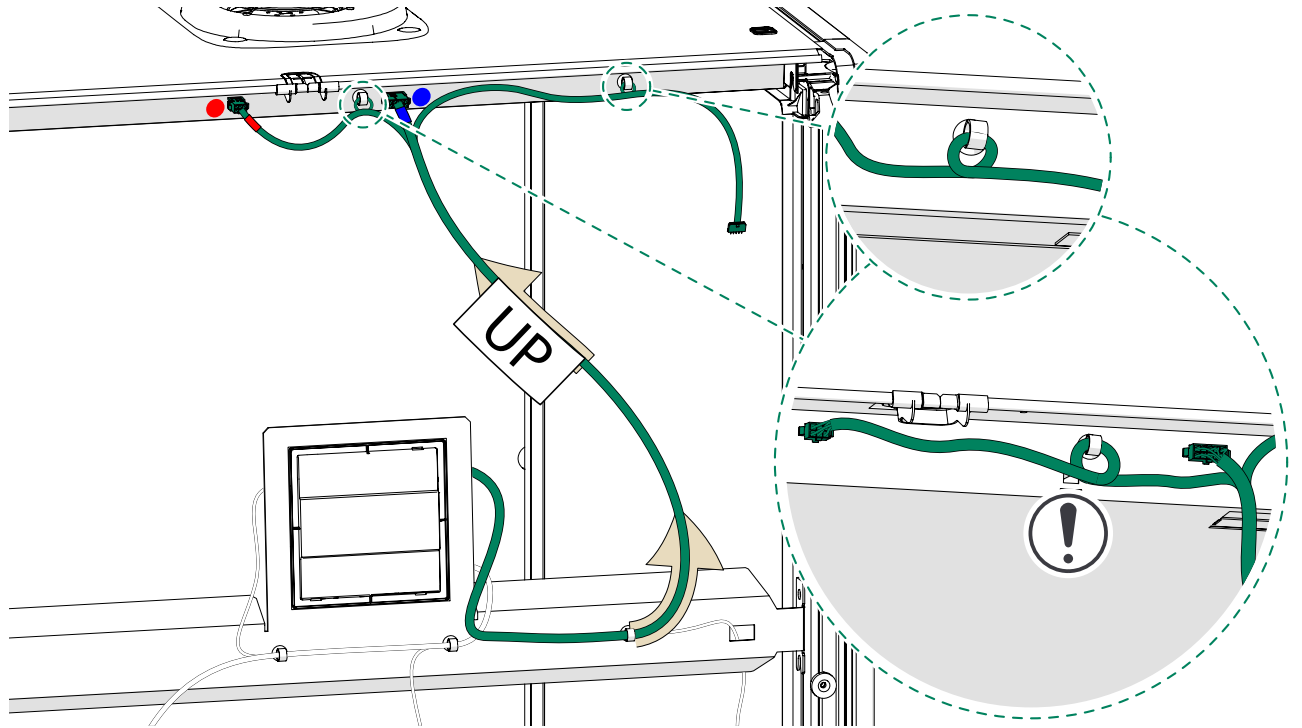
Figure 1: Overview of the pod electrics

2.1 Install the wiring harness

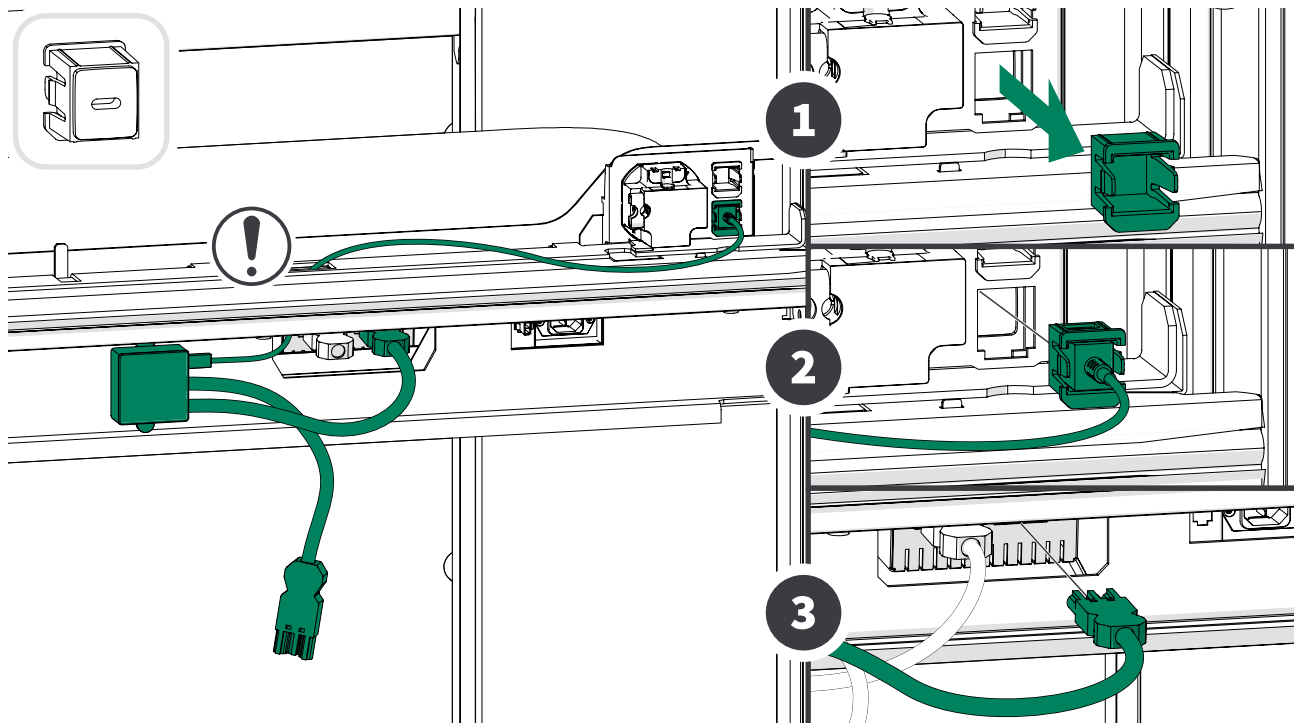
1.



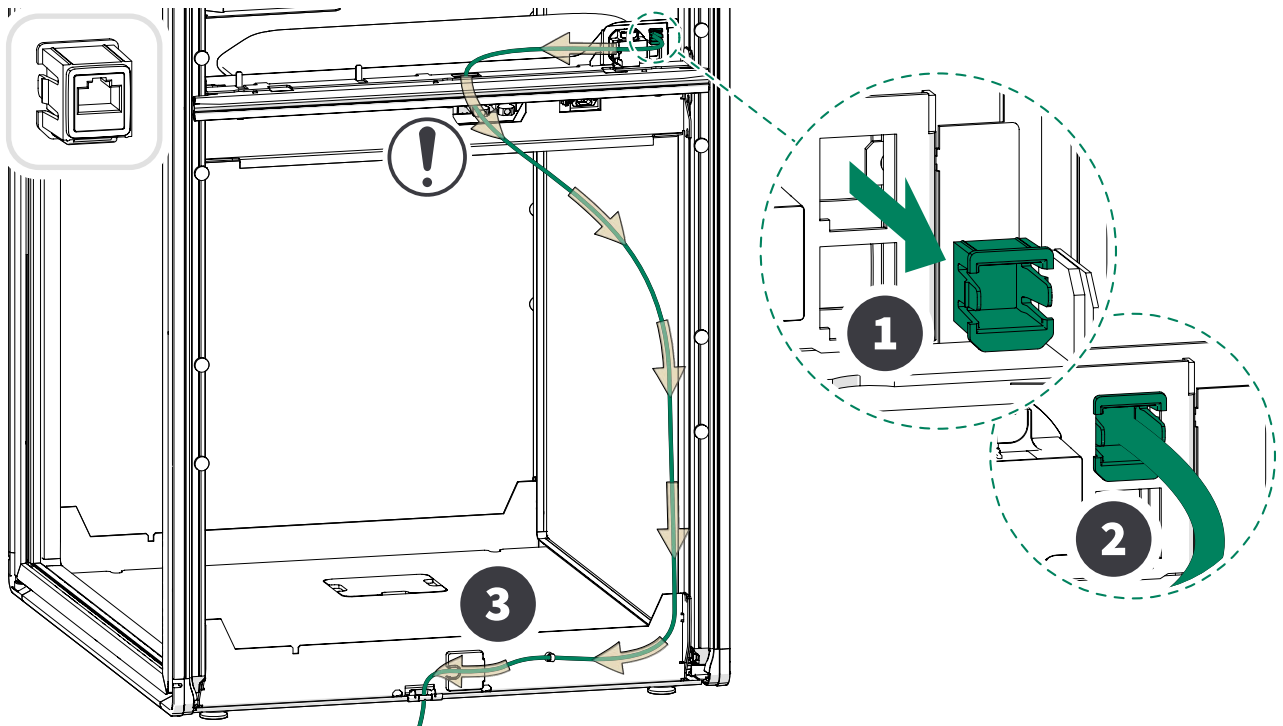
2.



Install the USB-C module (optional)



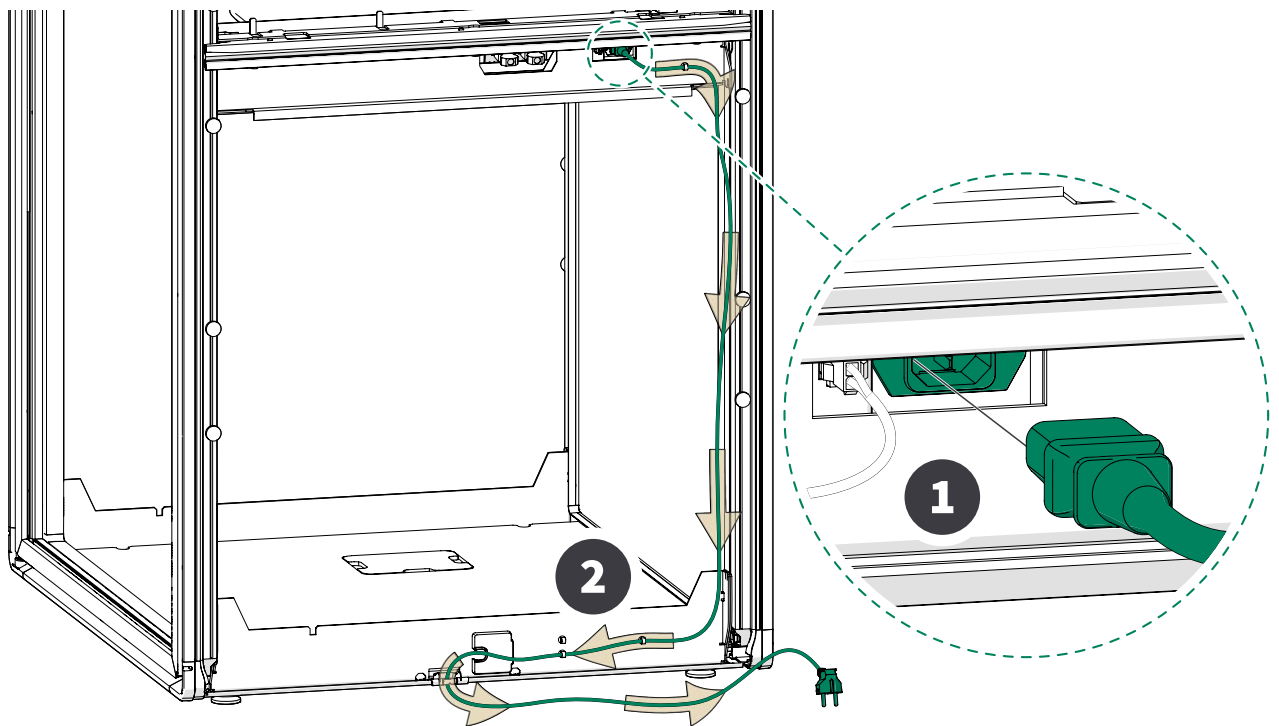
Install the LAN cord (optional)



2.2 Install the AC power cord

If the power cord is routed through the roof, continue to the next phase.

1.



2.

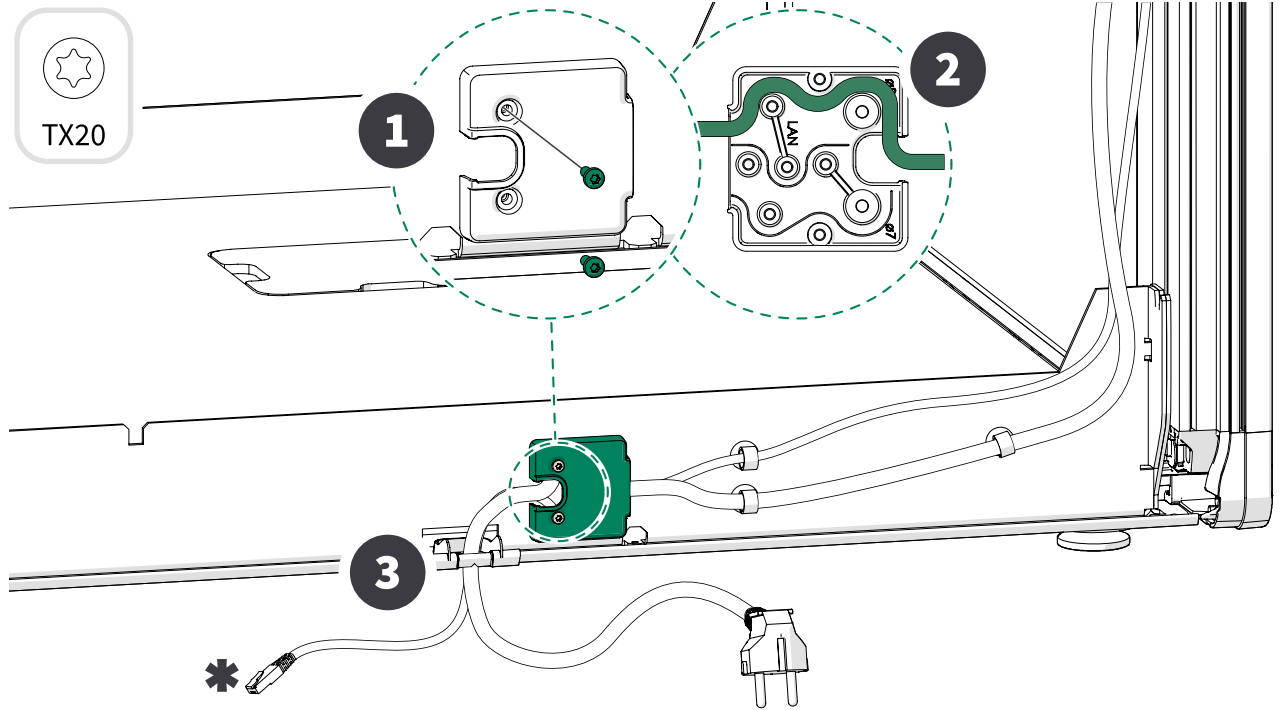
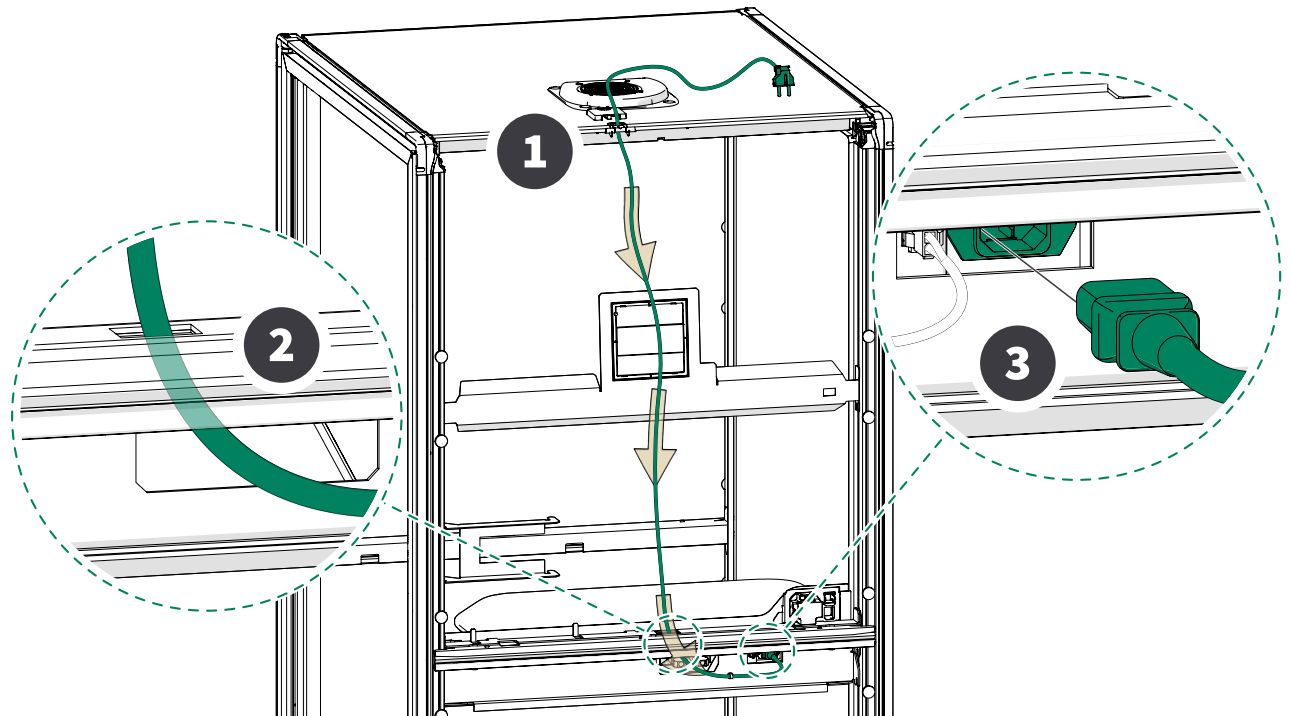


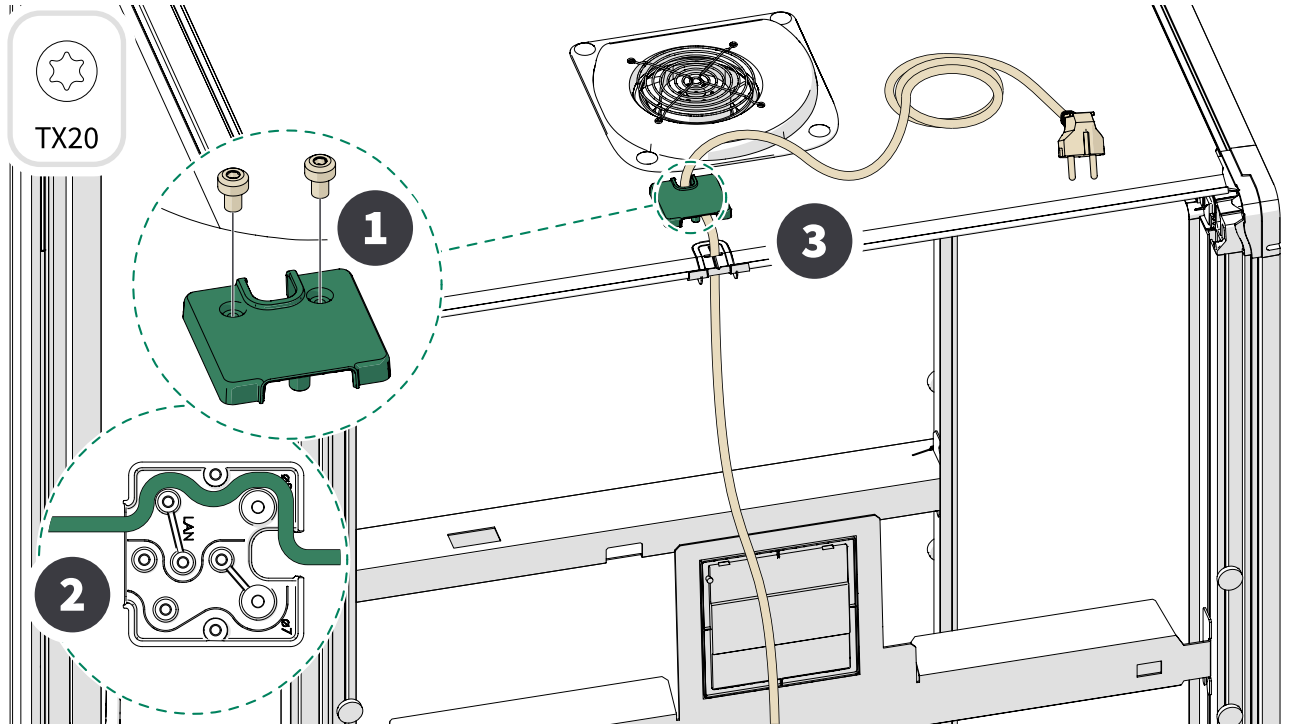
Figure 2: * = Optional LAN cable

Install the AC power cord, roof (optional)

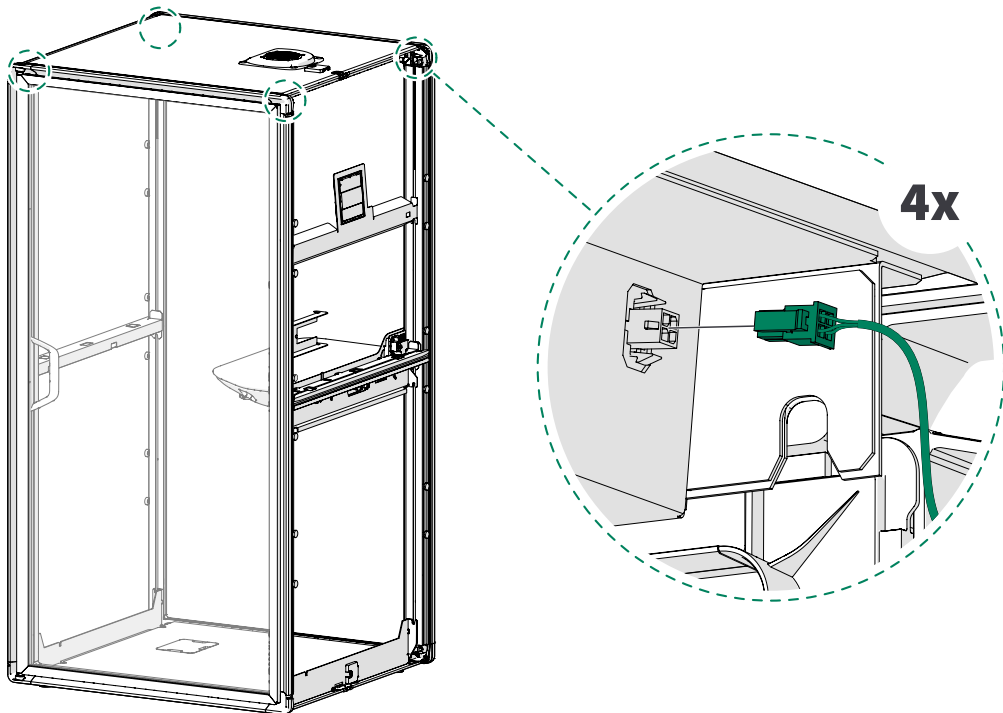
1.



2.



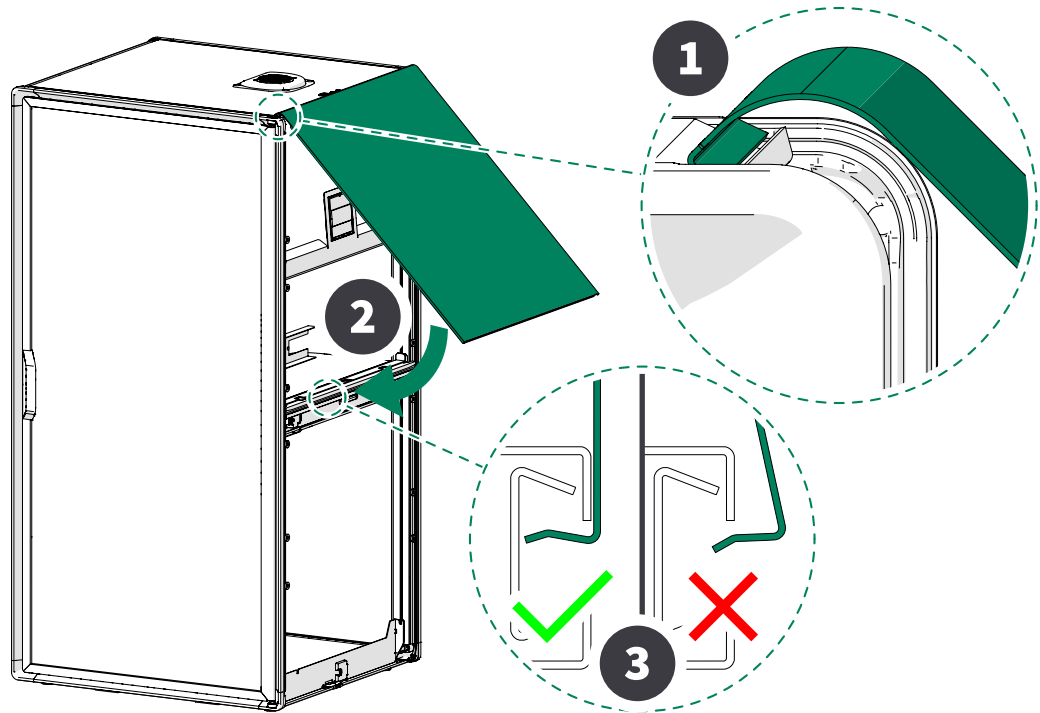
2.3 Install the occupancy lights



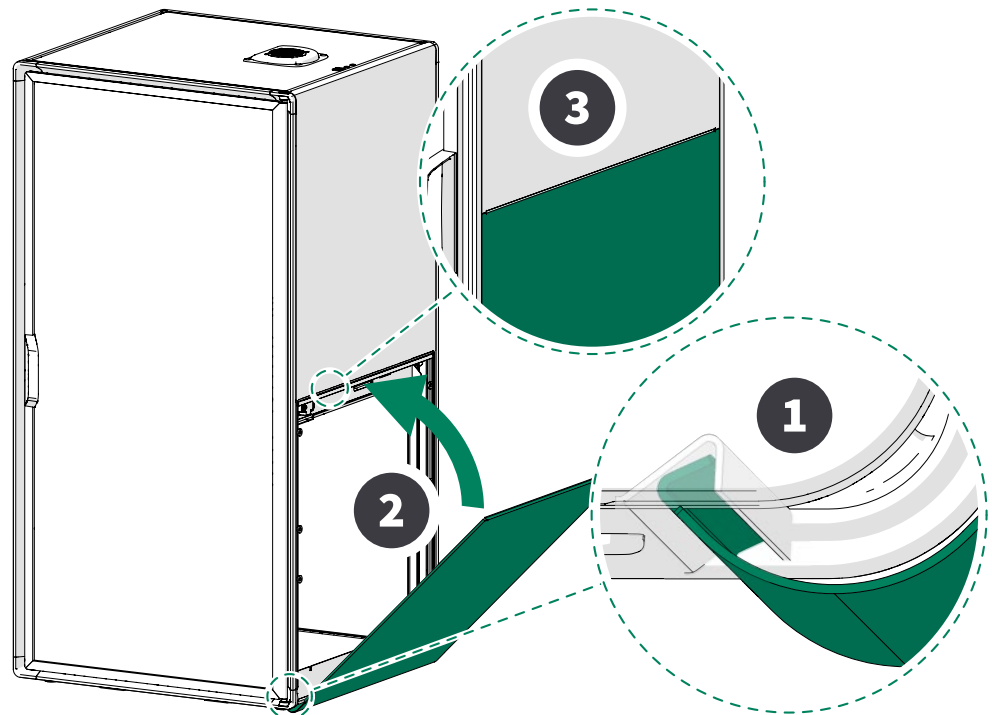
3 Insulation and exterior

3.1 Install the wall exterior panels


1.

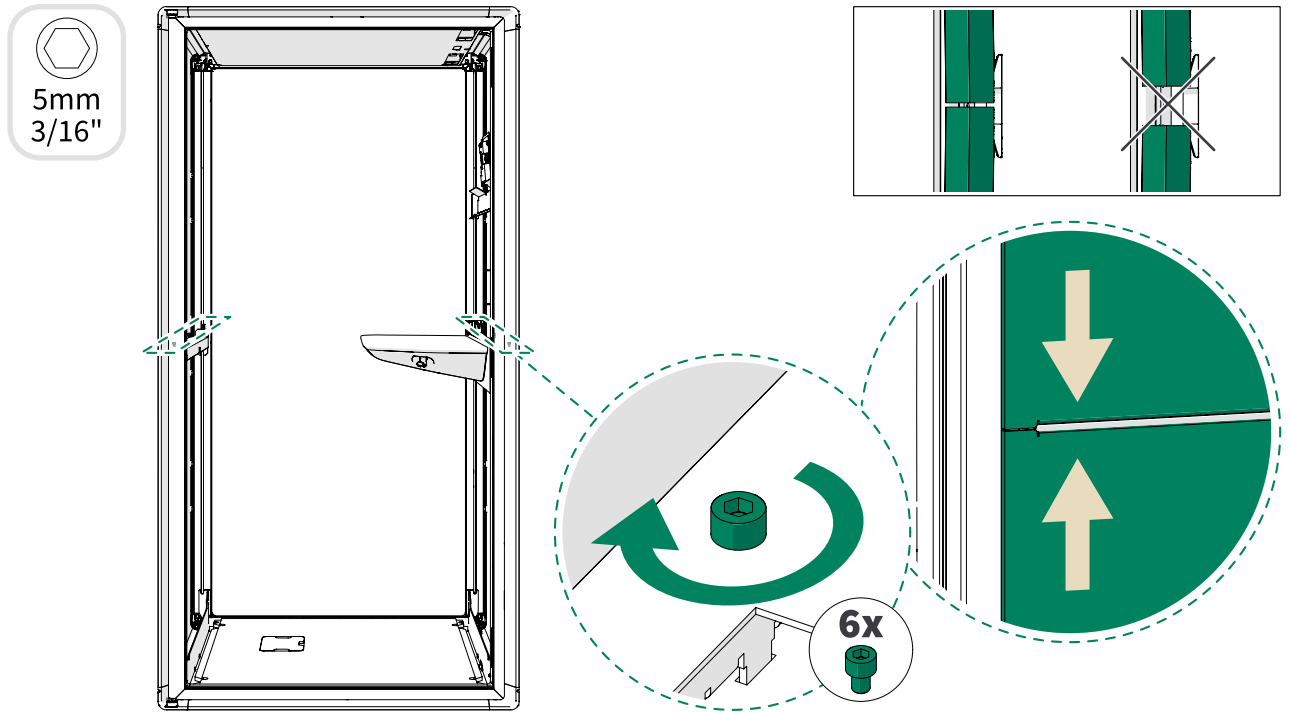


2.




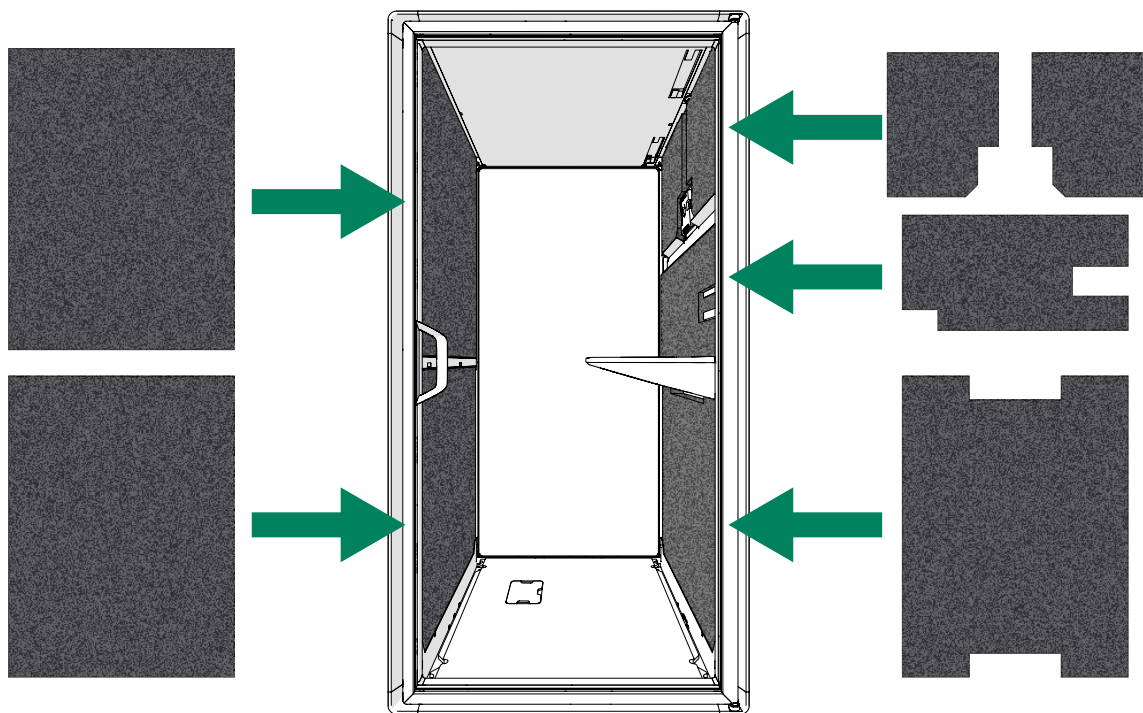
Repeat for the other wall.

3.  **Note:** Check that the exterior panels are properly in place.

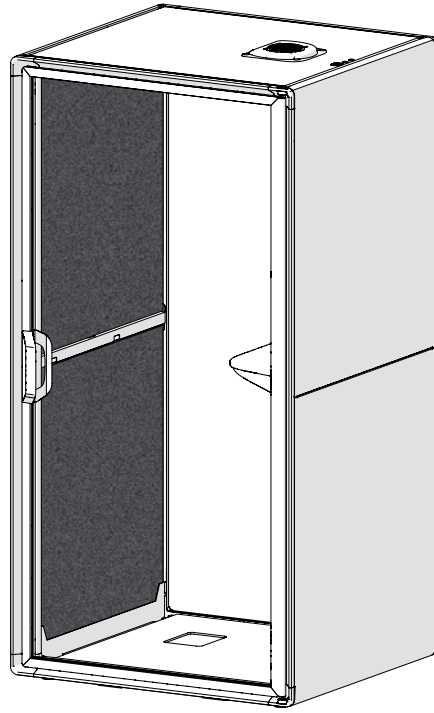


3.2 Install the acoustic panels

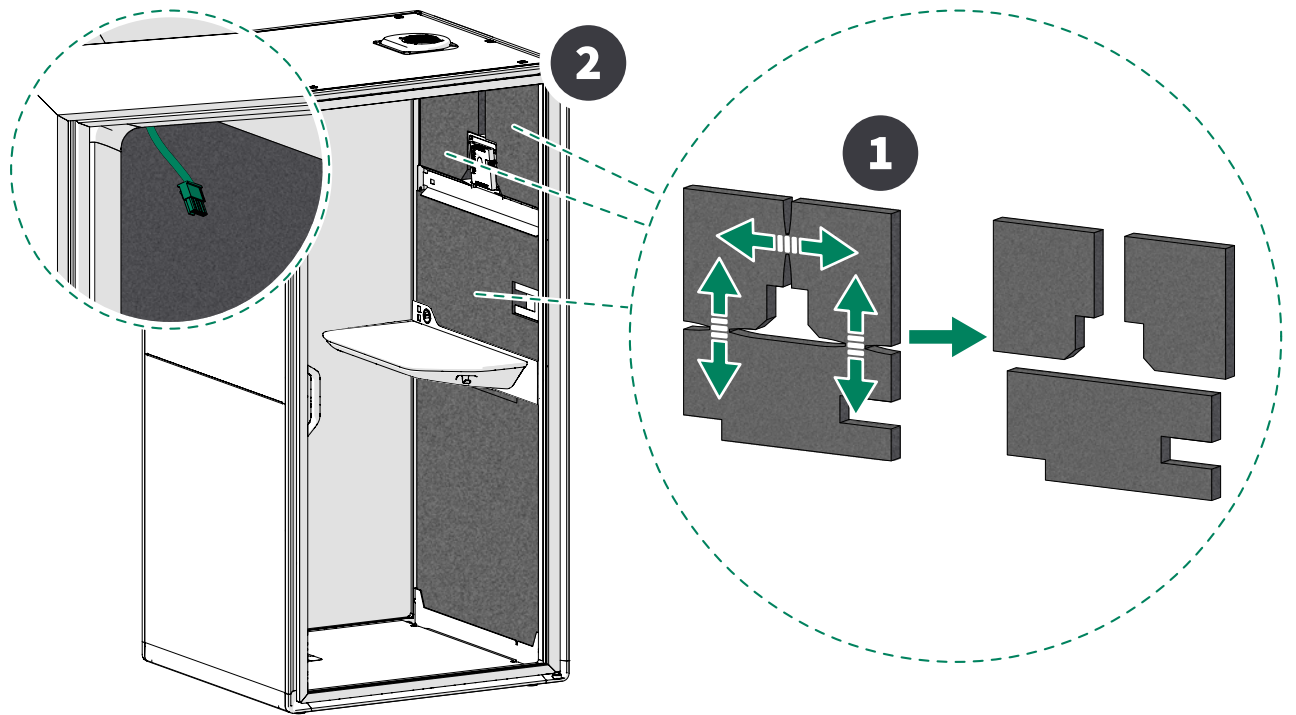
-  **Note:** The acoustic panels are crucial for the pod soundproofing. Make sure that you install all of them (6 pcs).



1.

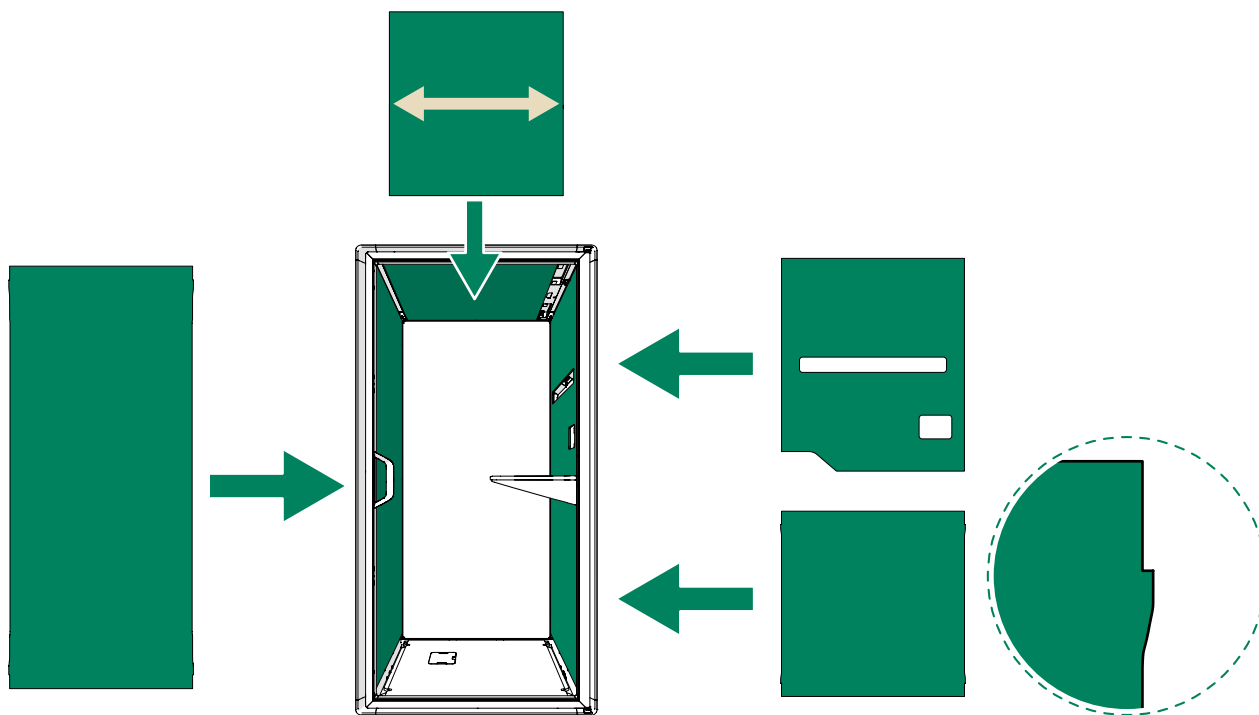


2.



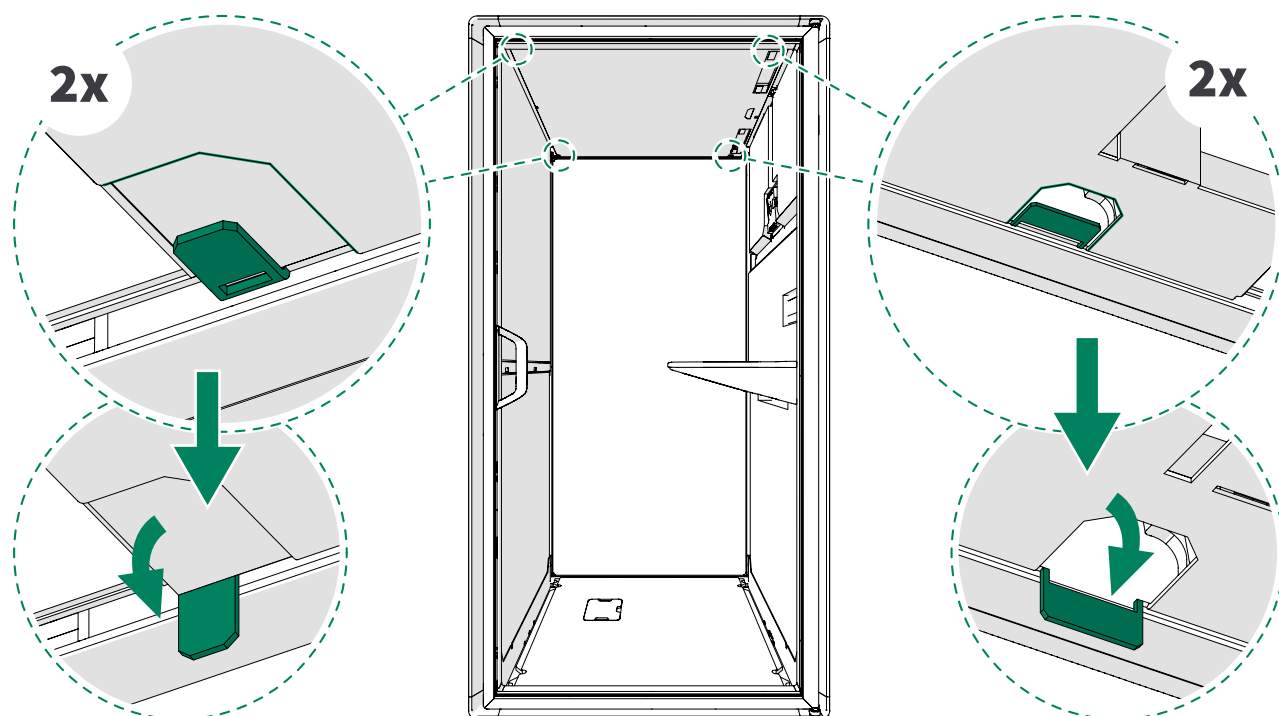
4 Interior

Interior panels overview

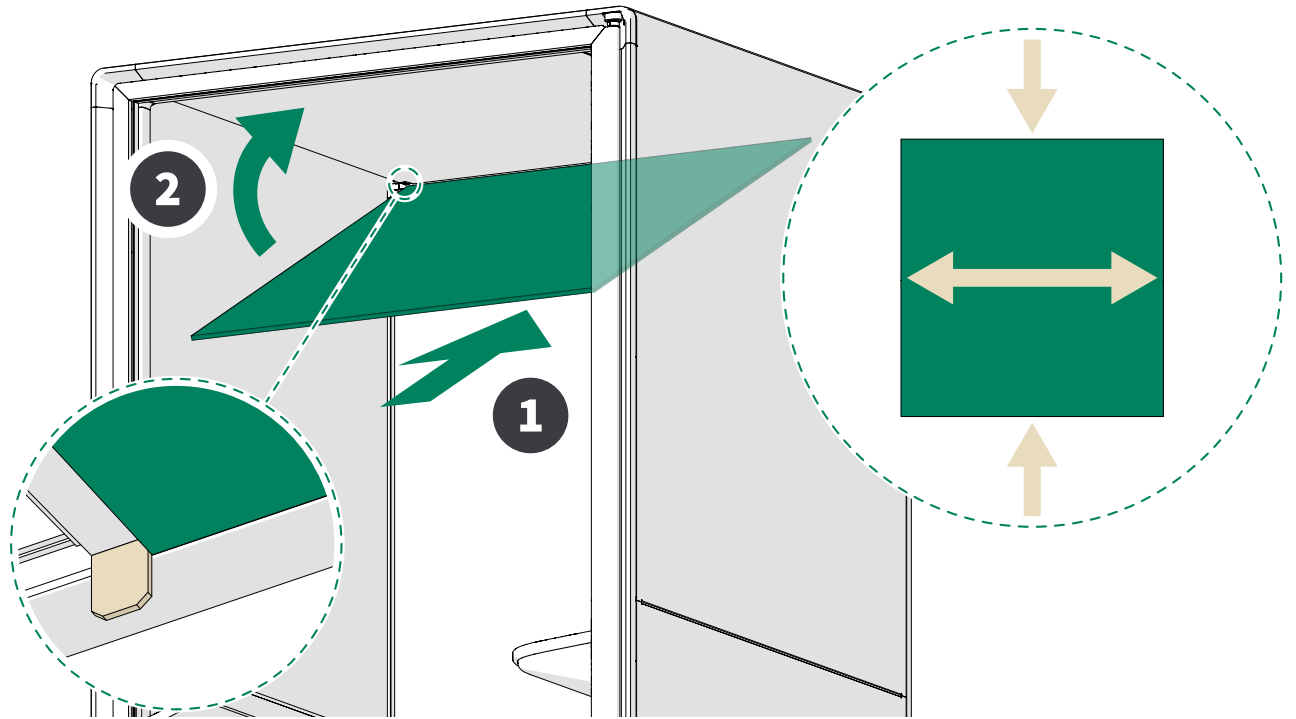


4.1 Install the ceiling interior panel

-  **Note:** Bend down the positioning tabs for the ceiling interior panel.

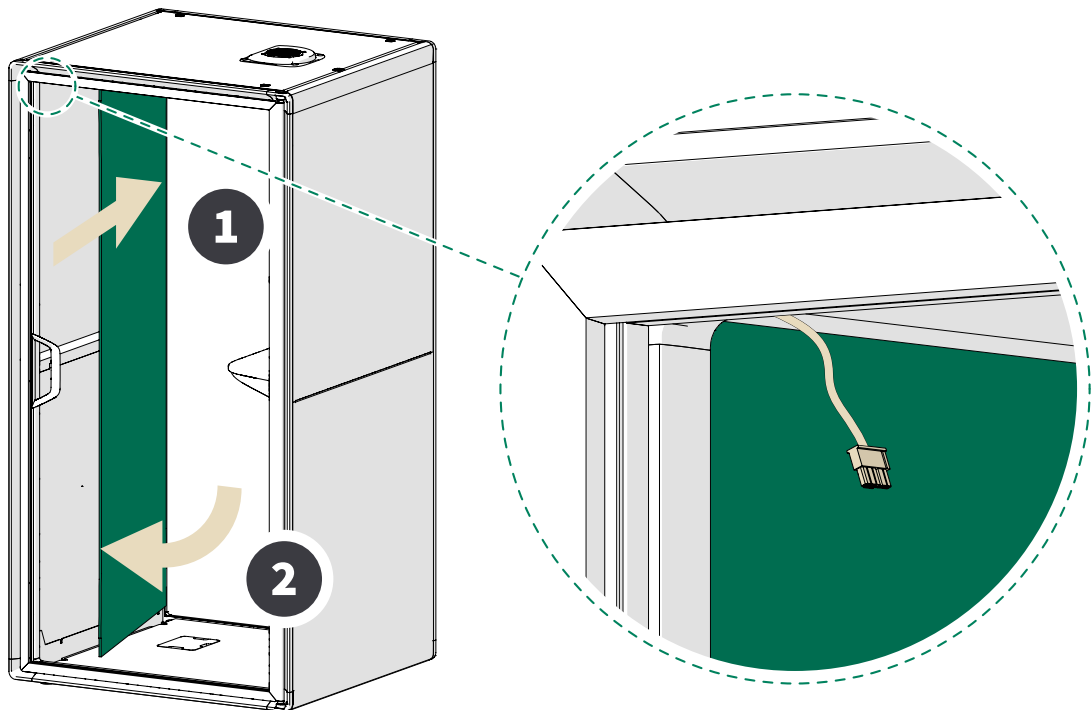


2.

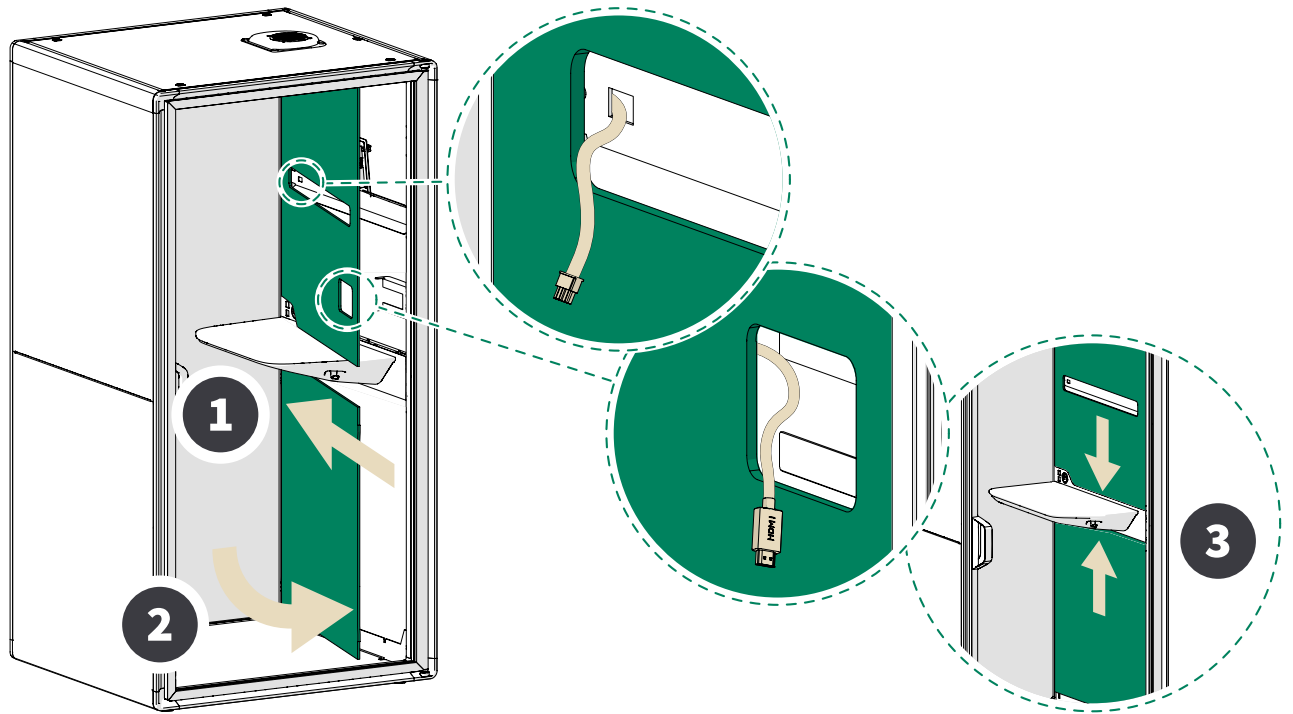


4.2 Install the wall interior panels

1.



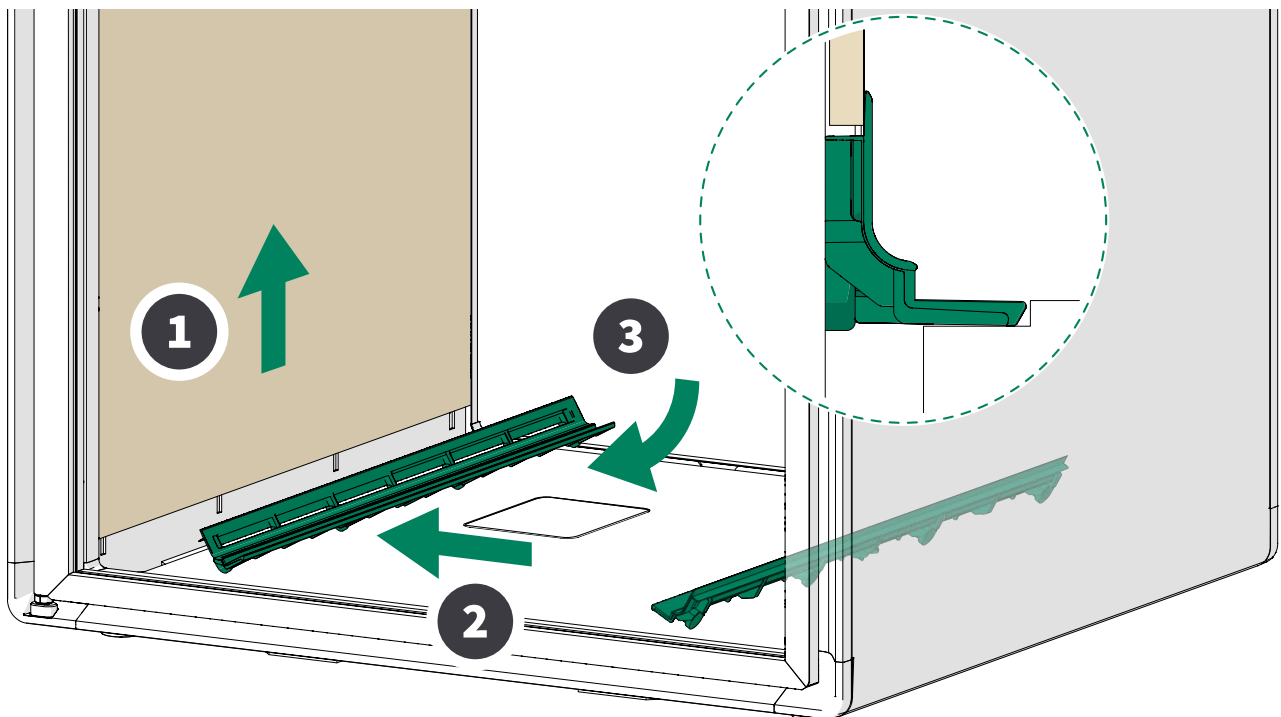
2.



Install the seismic kit (optional)

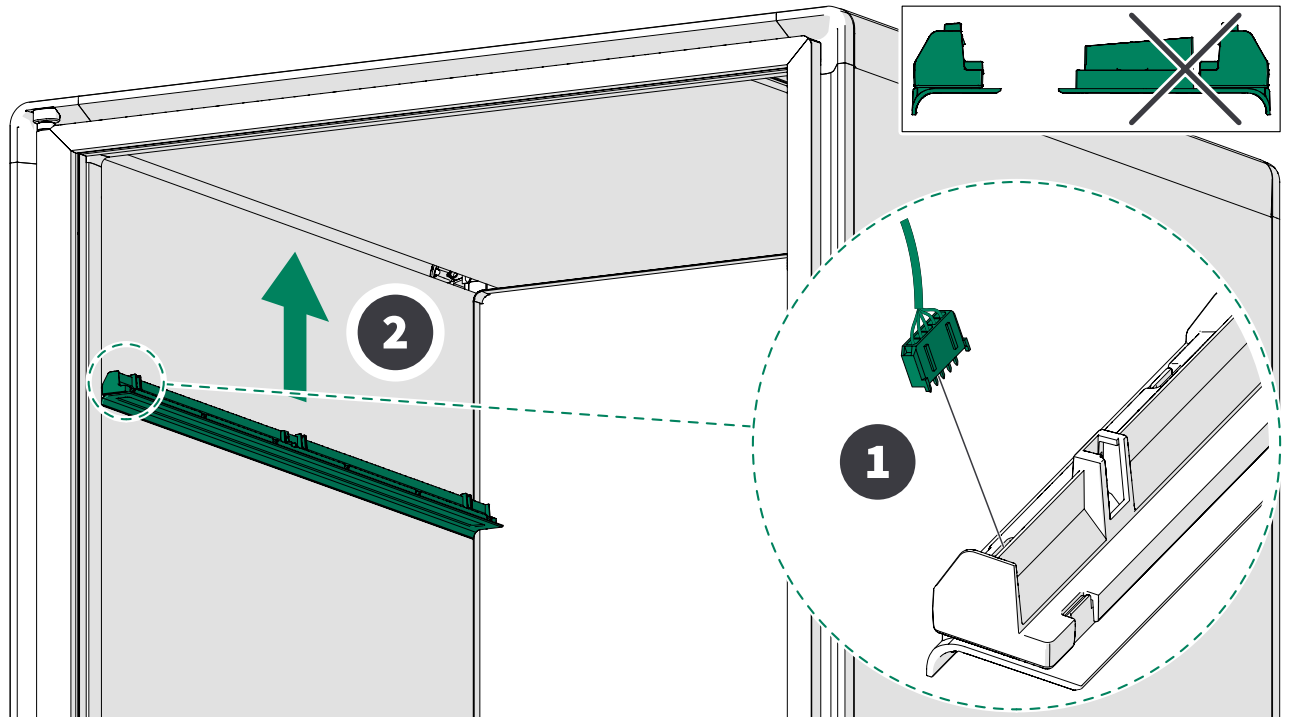
If the the delivery includes the seismic kit, install it according to the separate seismic kit installation instructions.

4.3 Install the kickboards



4.4 Install the ceiling lights

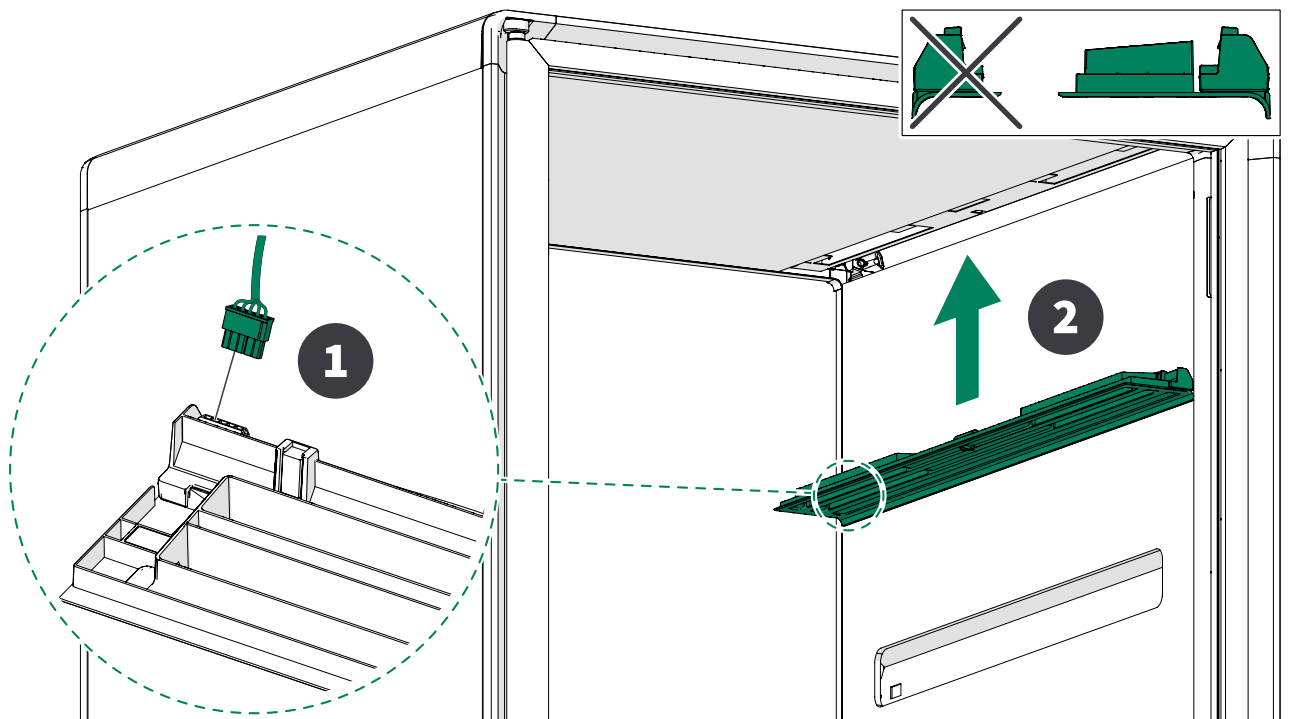
1.



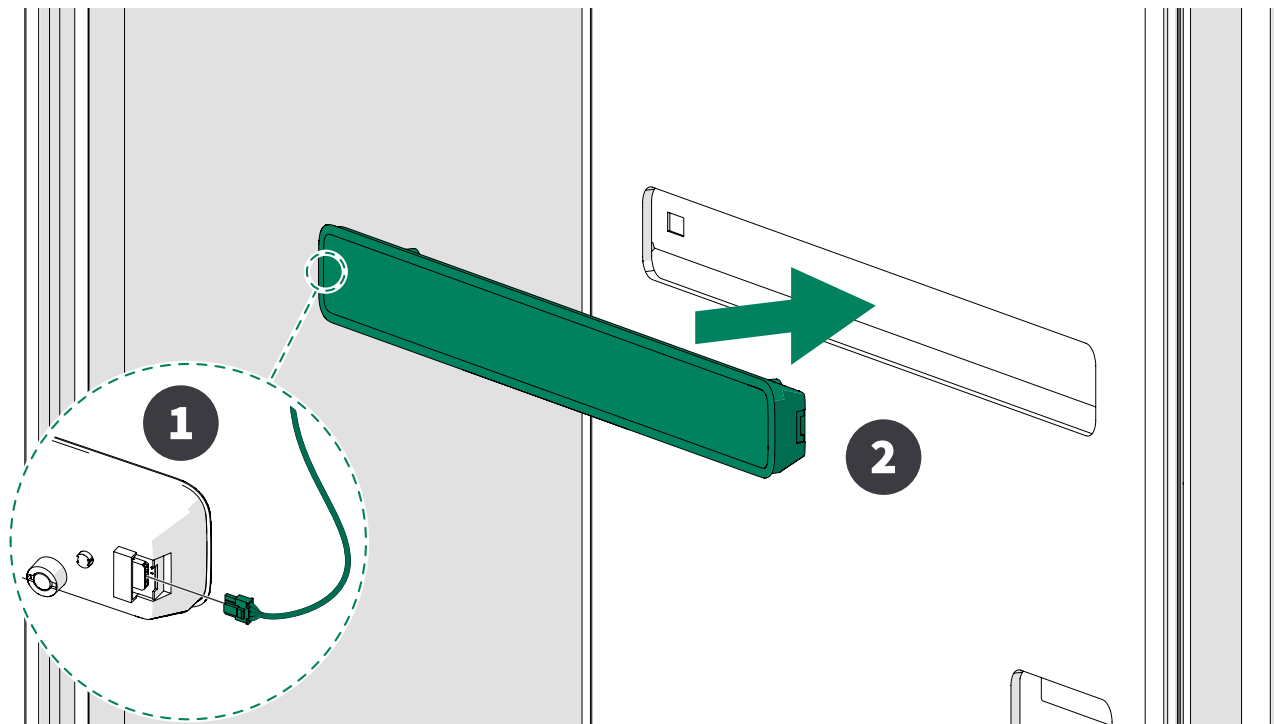
2.



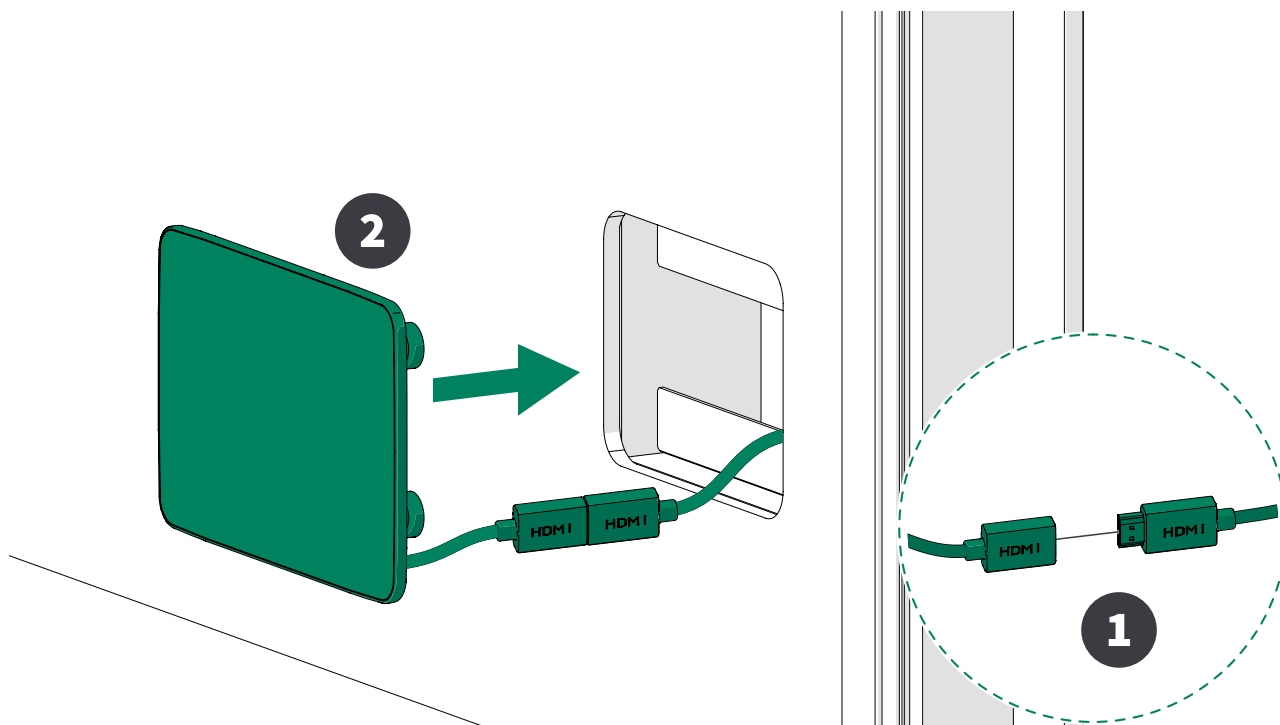
Note: Check that the light cable is not caught behind the light.



4.5 Install the wall light

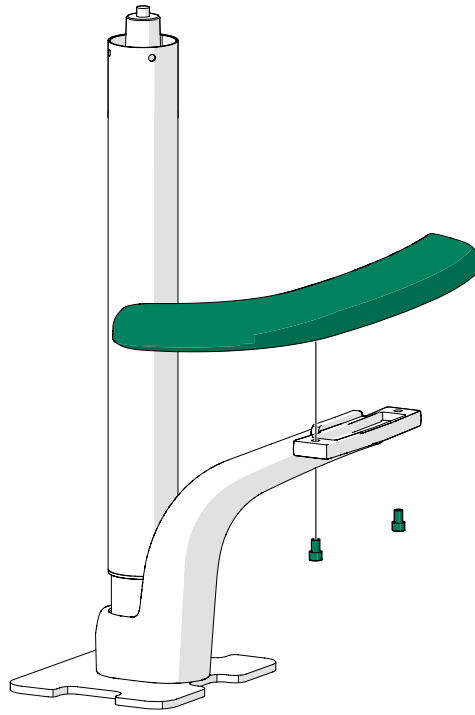
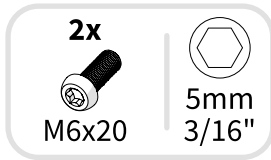


4.6 Install the touchscreen

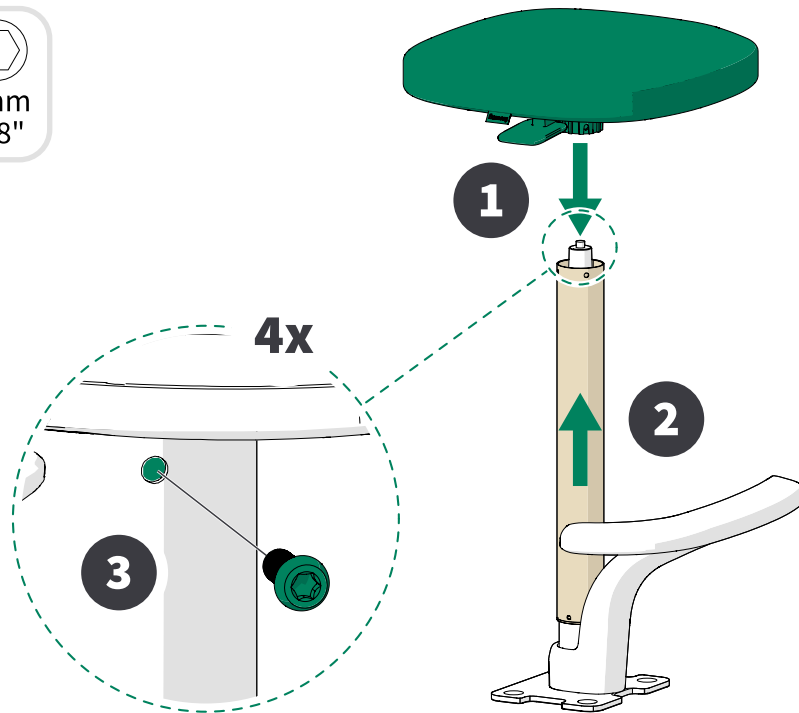
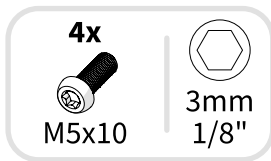


4.7 Install the seat (optional)

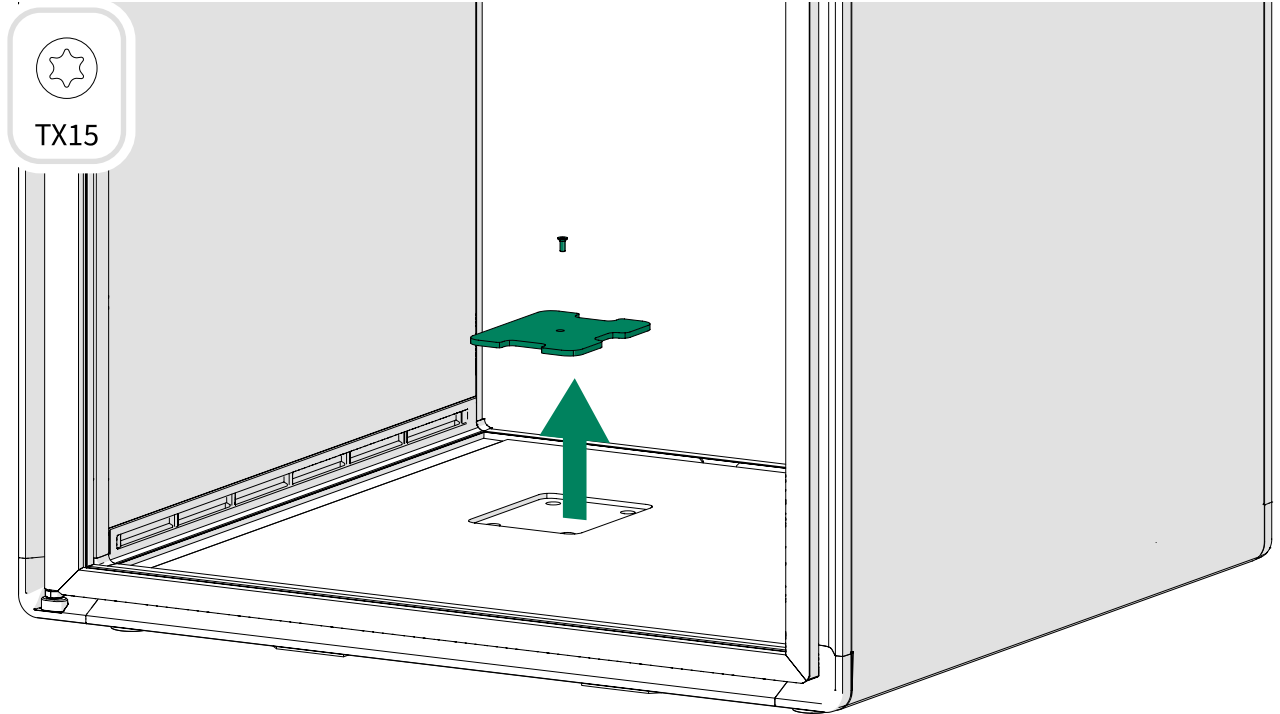
1.



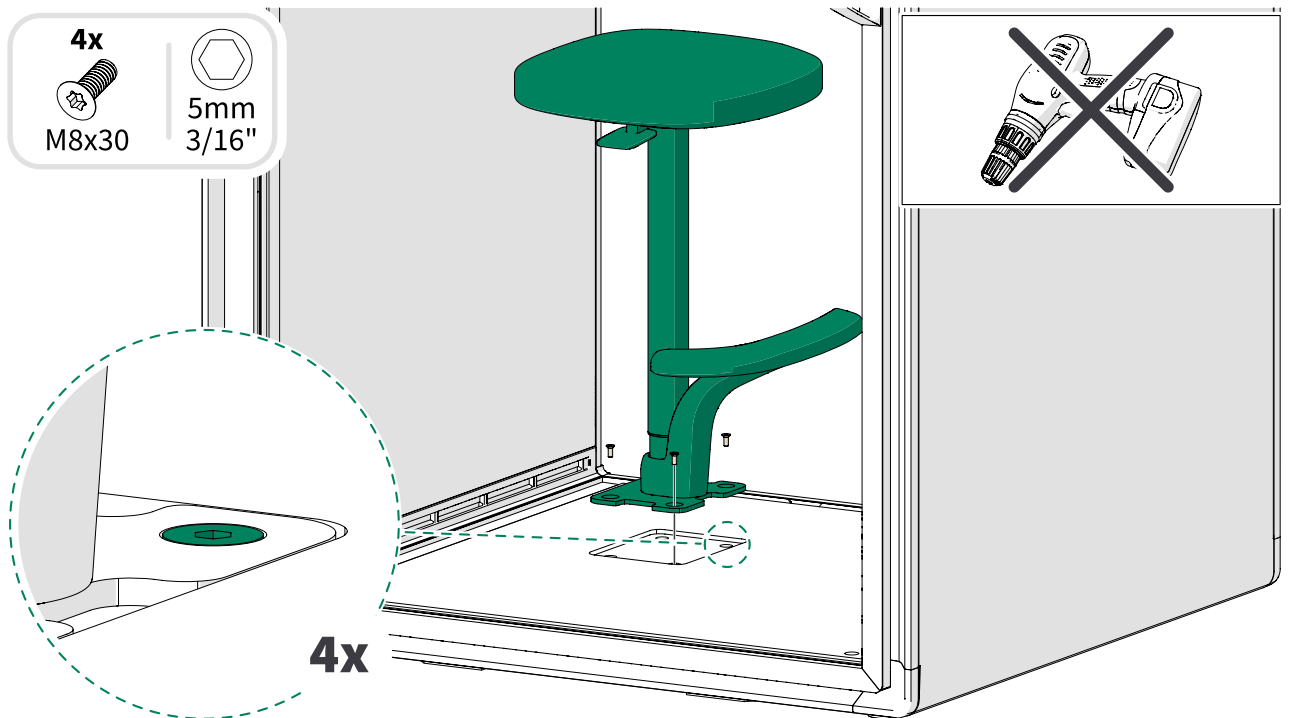
2.



3.



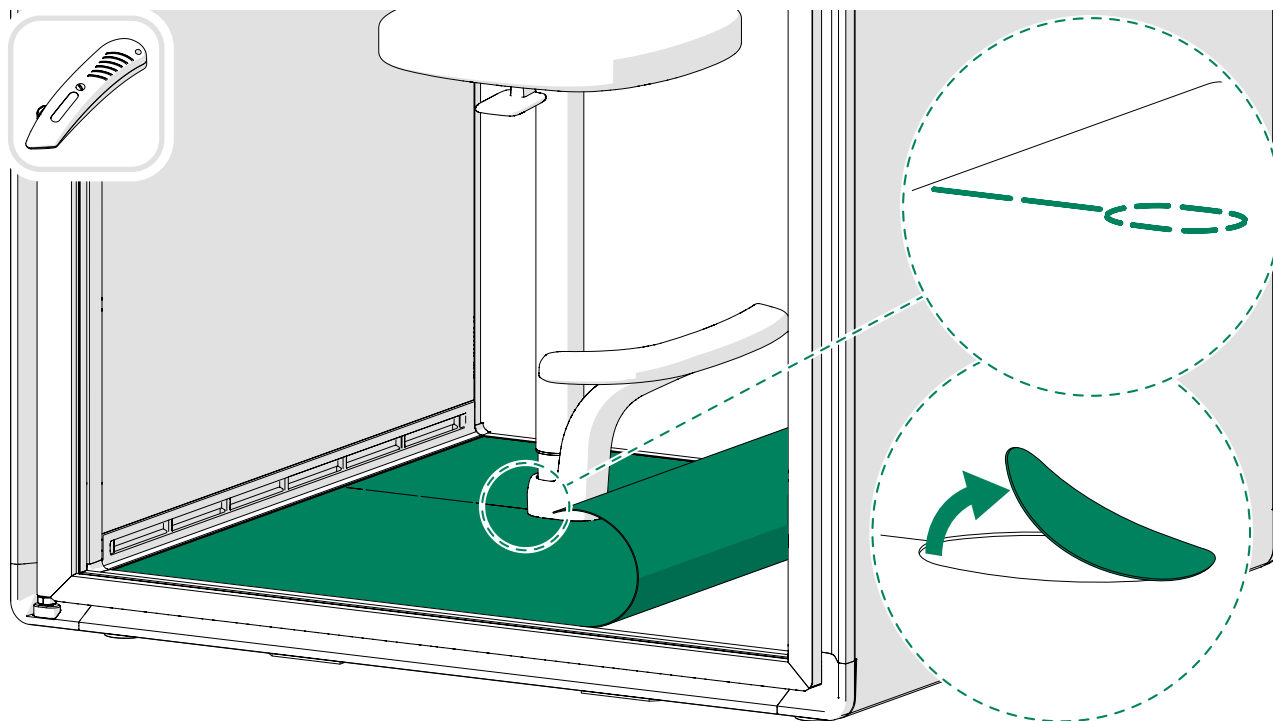
4.



4.8 Install the carpet

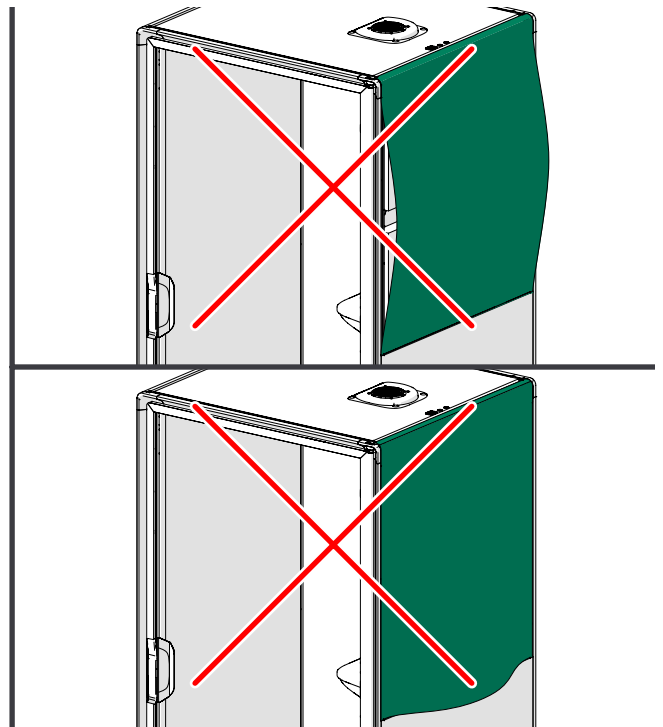
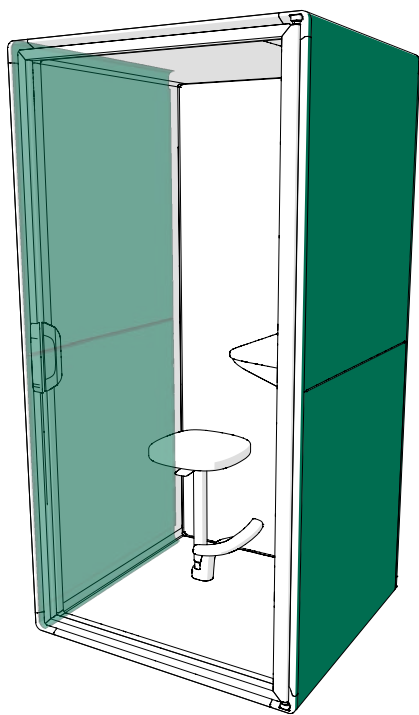


Note: If the delivery does not include a seat, do not cut the carpet.



5 Finalize the installation

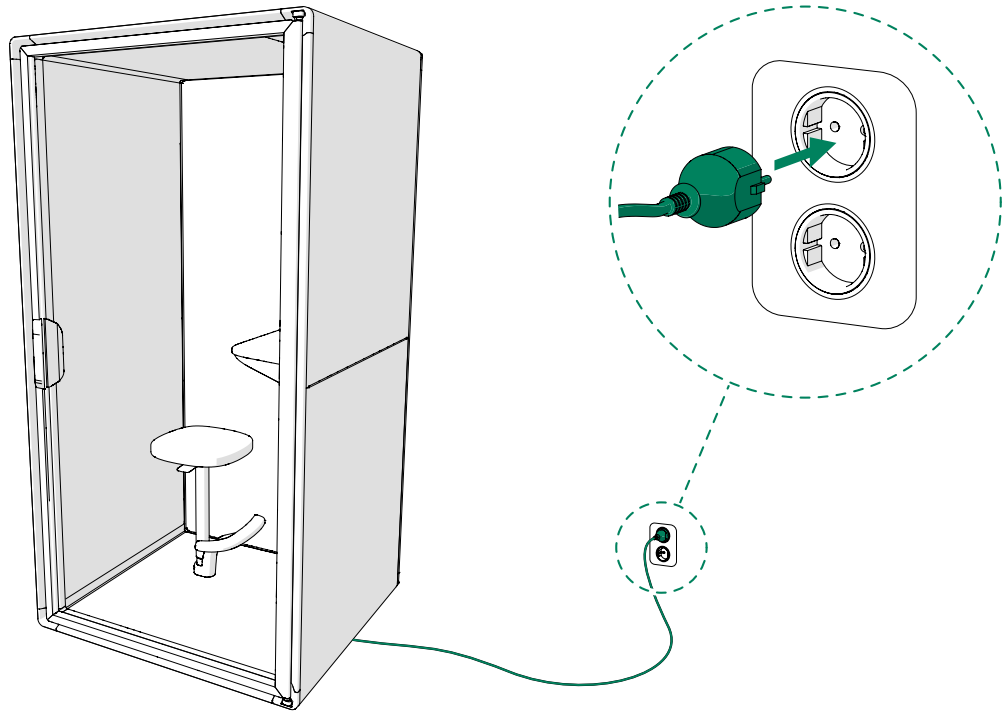
1. Check the exterior panels.




2. Clean the glasses with window cleaner.



3. Connect the pod to a power outlet and connect the LAN cable.



4. Scan the QR code on the touchscreen to open the installation report.




DO NOT UNPLUG

Setup in progress

1. Automatic testing for lights, fans and screen
2. Do not unplug if screen turns off temporarily
3. Fill the installation report on **service.framery.com** or use the QR code
4. Finish setup by selecting pod type

RUNNING TESTS - APPROX. 10 MIN. 33%



an to open service.framery.com

POD ID
N2A4B

- Follow the instructions in the Service Tool and fill out the installation report. The pod ID is displayed on the touchscreen during setup.



framery

Framery Gradus Focus
Installation instructions
Patamäenkatu 7
33900 Tampere
FINLAND
VAT: FI 23527139