

Framery Four  
Moving the pod

English  
Version 3.0  
Tampere, Finland 09.12.2025

# Contents

<b>1 Important safety and product instructions.....</b>	<b>3</b>
1.1 Preface.....	3
1.2 Product information.....	3
1.3 Copyright.....	3
1.4 Manual contents.....	3
<b>2 Disassemble the necessary parts.....</b>	<b>4</b>
<b>3 Install the movability kit and move the pod.....</b>	<b>10</b>
<b>4 Tighten the screws of the back glass wall.....</b>	<b>13</b>
<b>5 Adjust the door.....</b>	<b>14</b>
<b>6 Reinstall the removed parts.....</b>	<b>17</b>

# 1 Important safety and product instructions

## 1.1 Preface

This instruction manual describes the installation of the product. Everyone involved in installing the product must read and understand the contents of the installation and safety instructions.

This instruction manual gives you necessary information for the correct installation of the product.

For complete product and safety instructions, see **[help.framery.com](https://help.framery.com)**.

## 1.2 Product information

The information in this manual corresponds to the product at the time of delivery. All information included in this manual is valid at the time of publication.

## 1.3 Copyright

This document must not be copied, presented, or delivered to a third party without explicit permission from Framery. The use of this document for any purpose other than those allowed by Framery is prohibited. Framery reserves the right to change the instructions related to the product without separate notice.

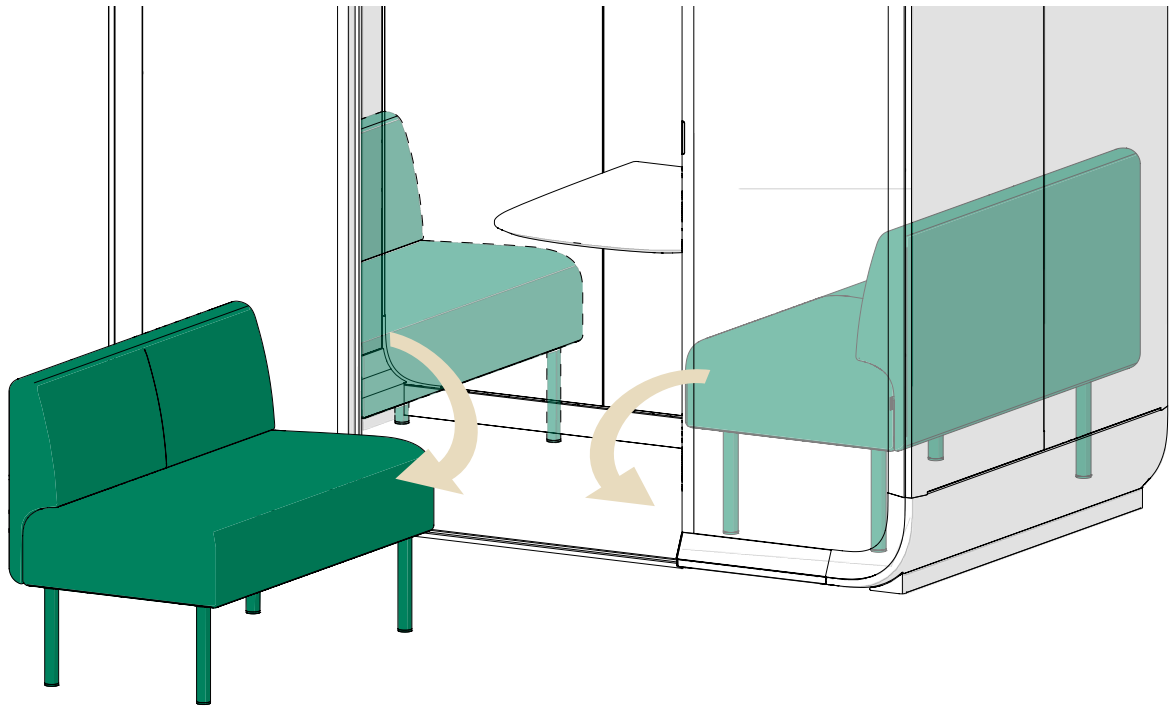
## 1.4 Manual contents

The installation instructions contain the following information:

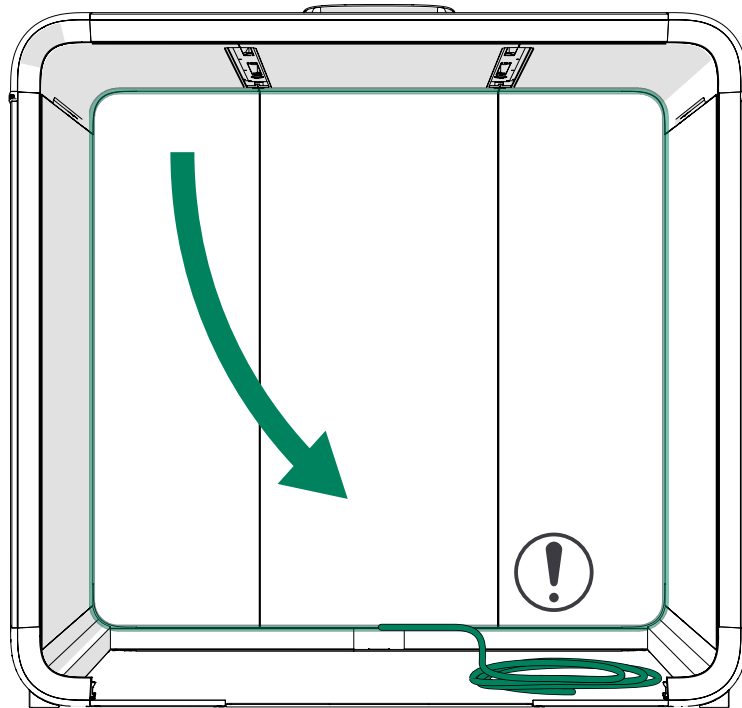
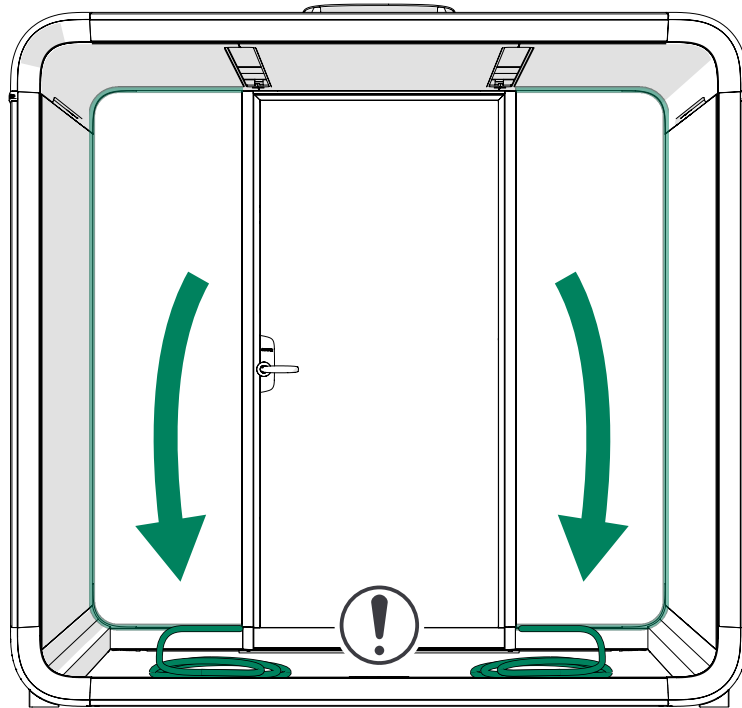
- General information about the purpose and content of the instructions
- Information related to safety
- Instructions for moving the pod

## 2 Disassemble the necessary parts

1.

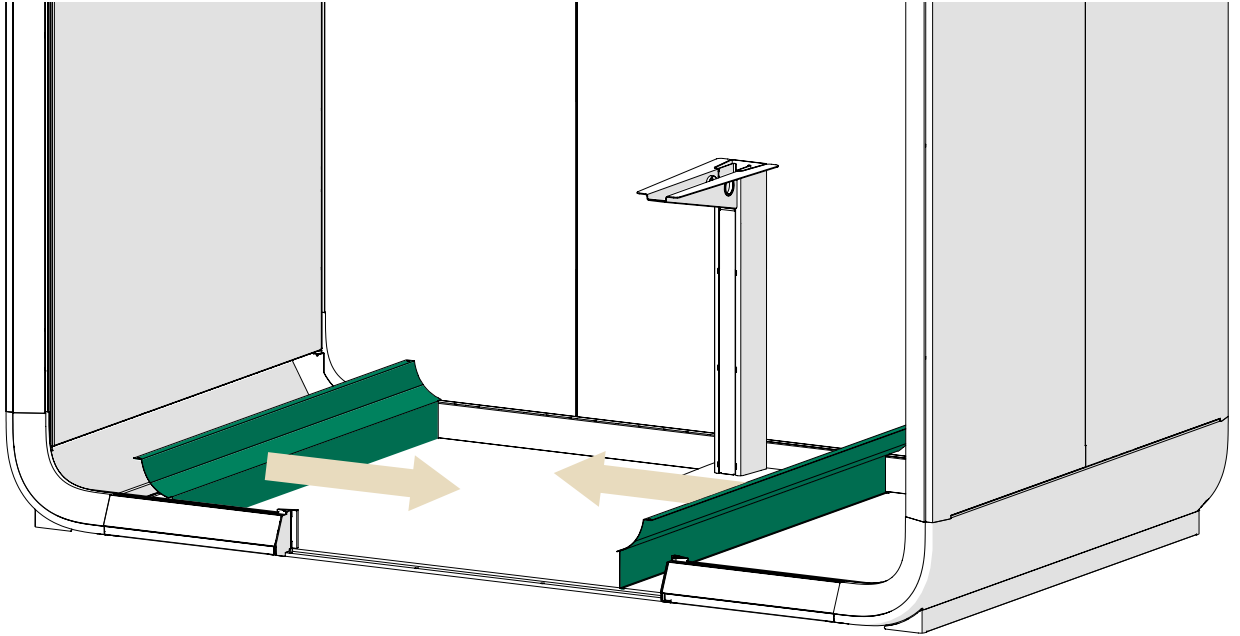


2.

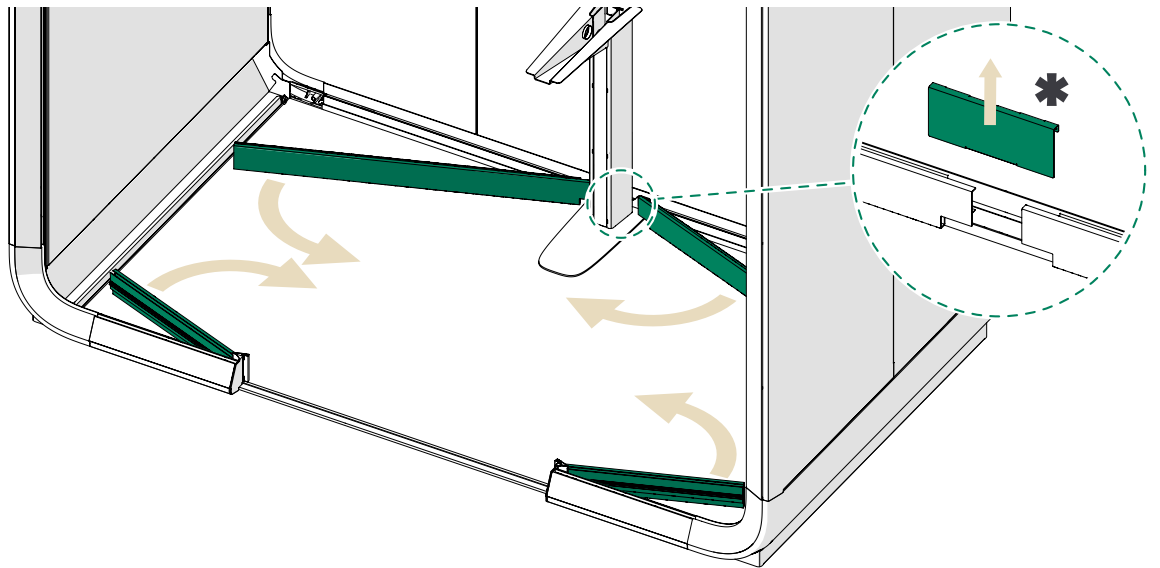


# Framery Four

3.



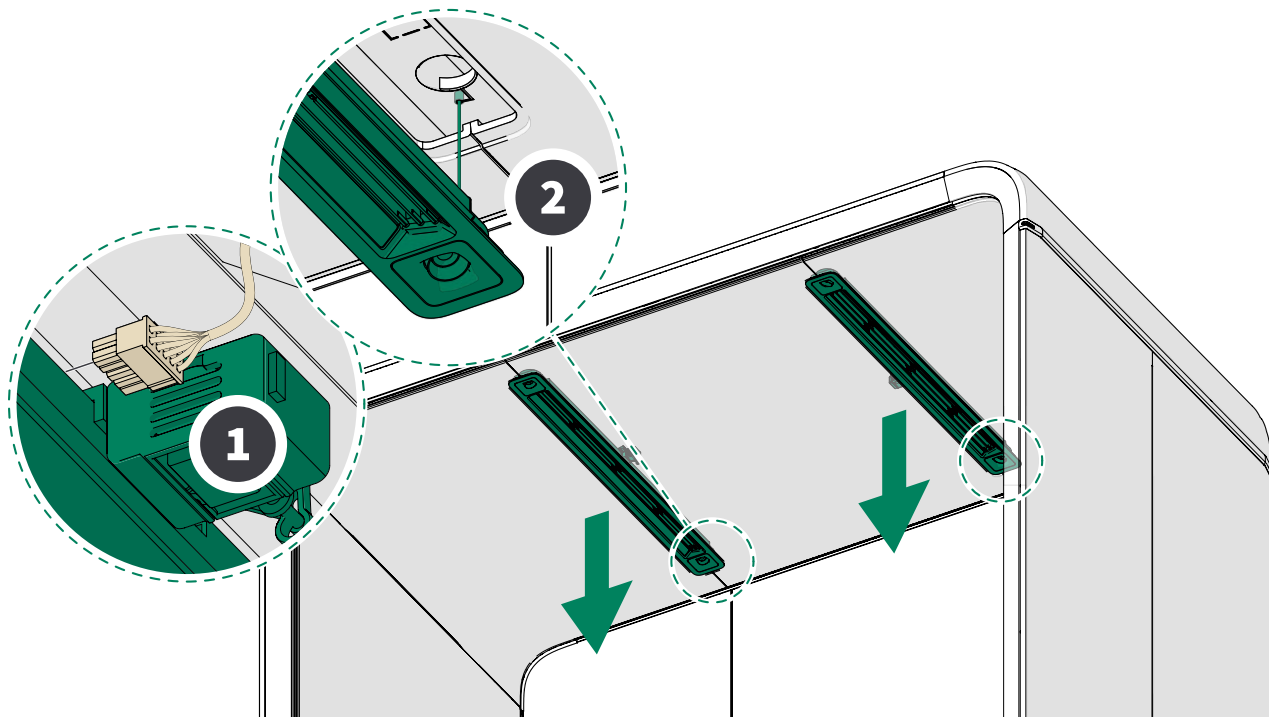
4.



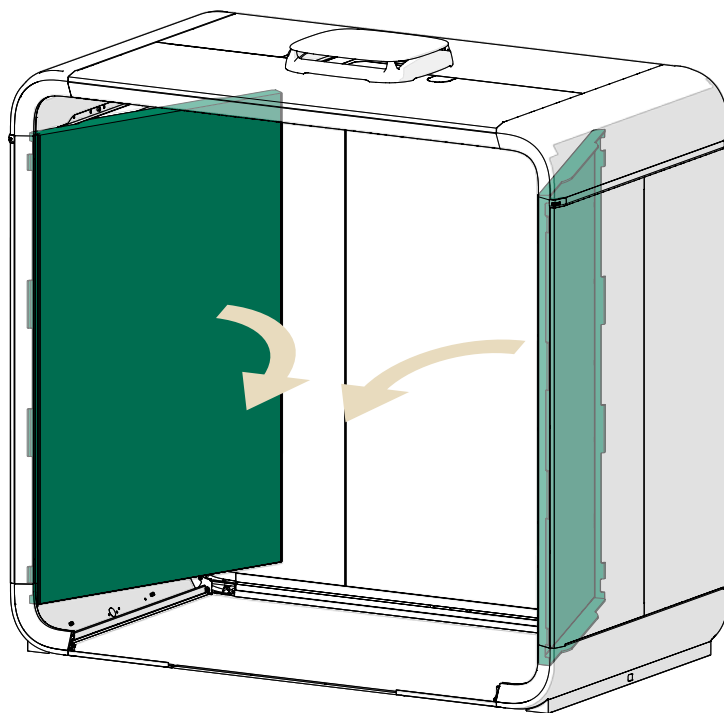
\* = In Framery Four Base

# Framery Four

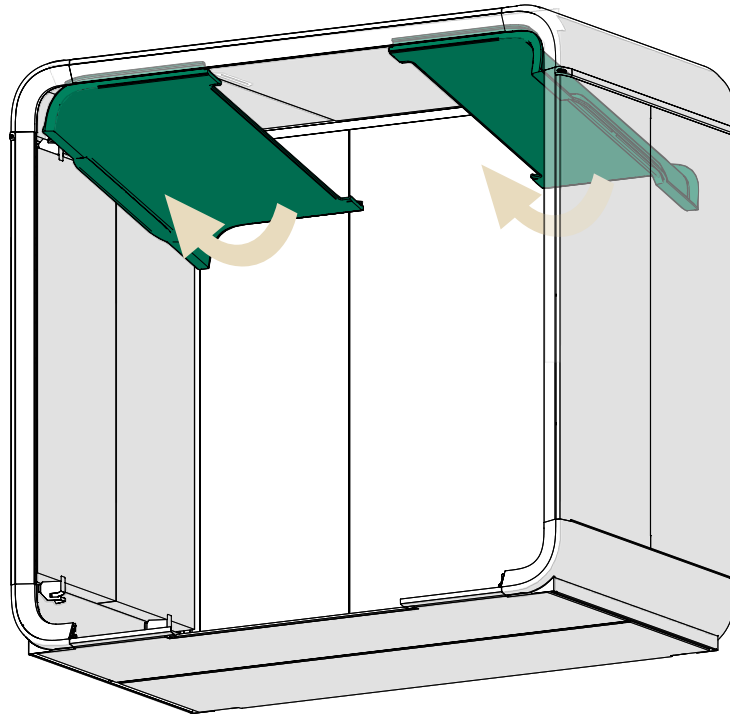
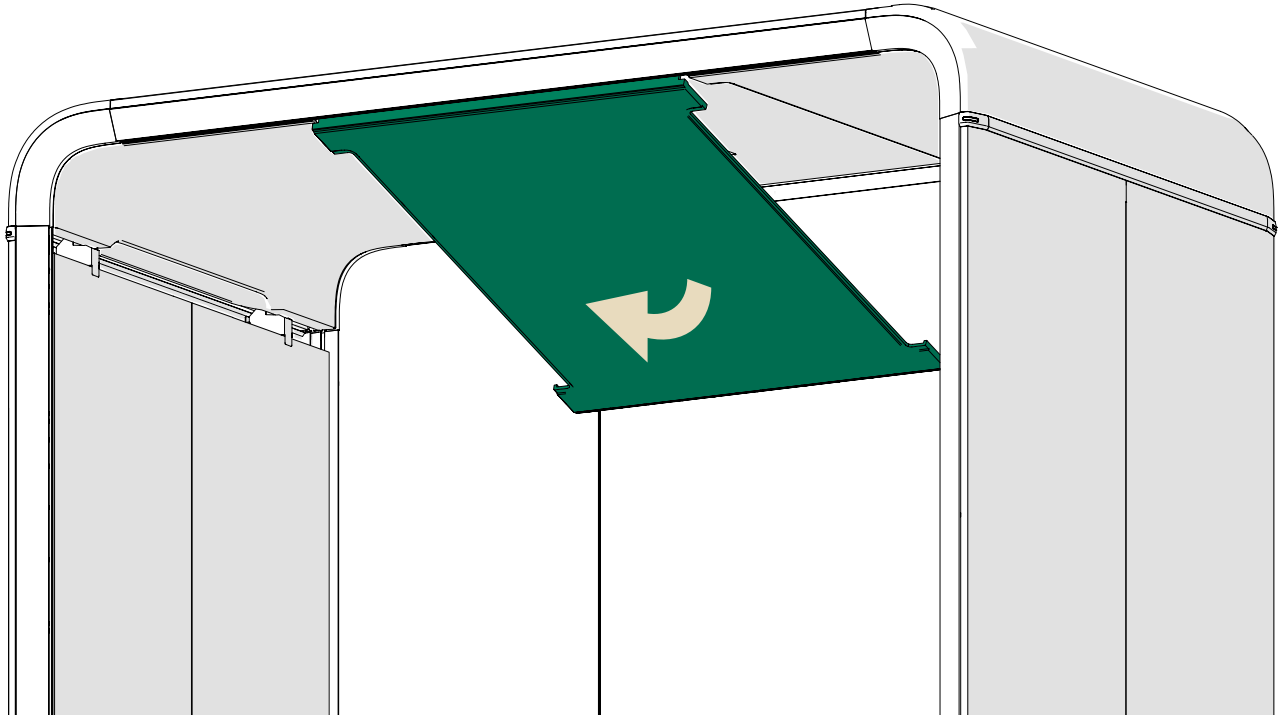
5.



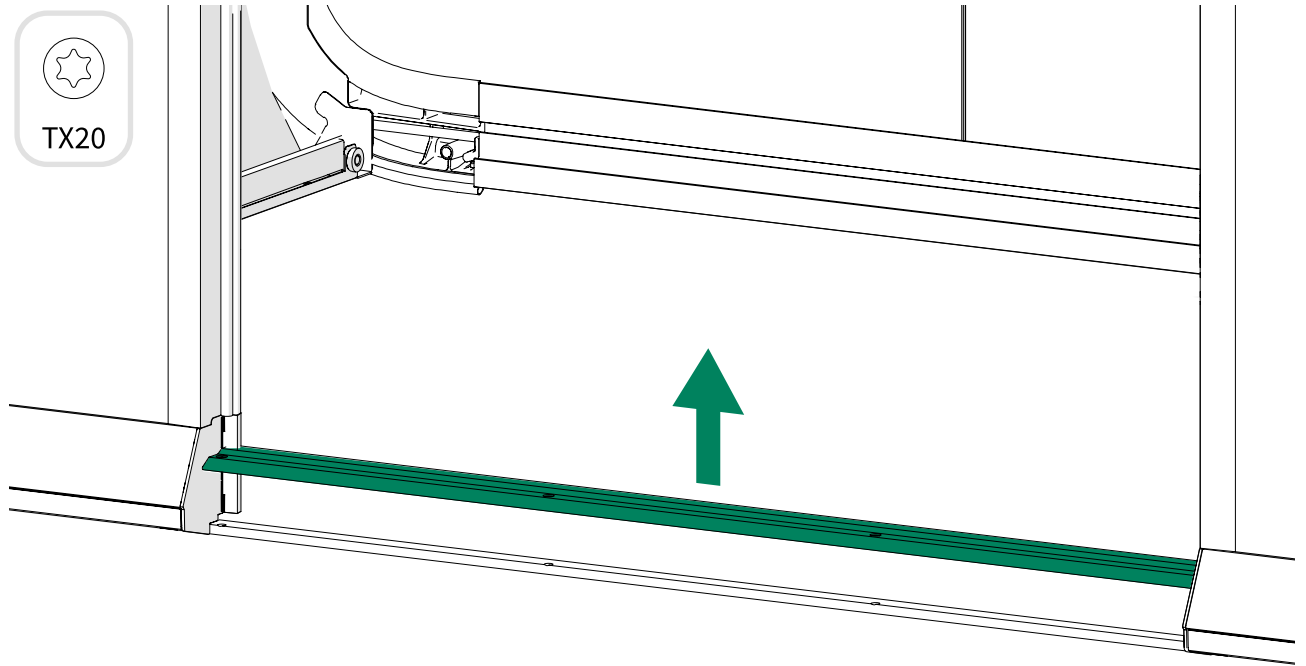
6.



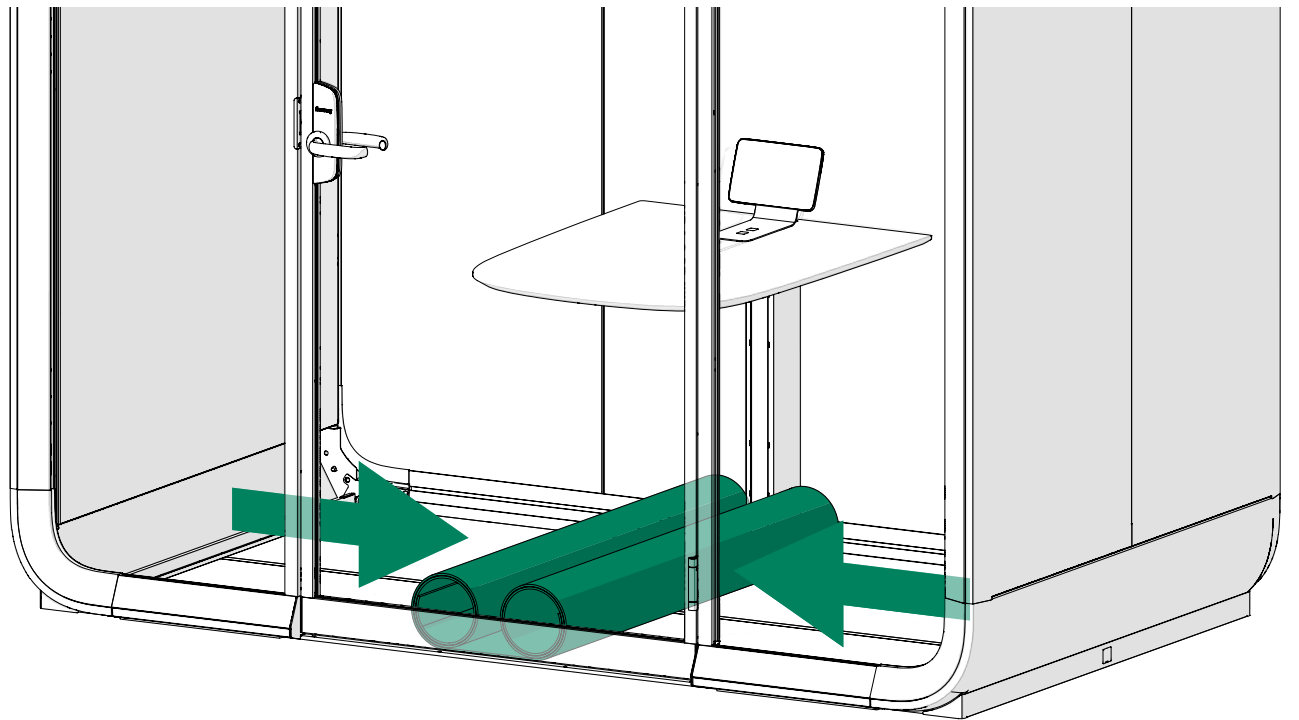
7.



8.



9.



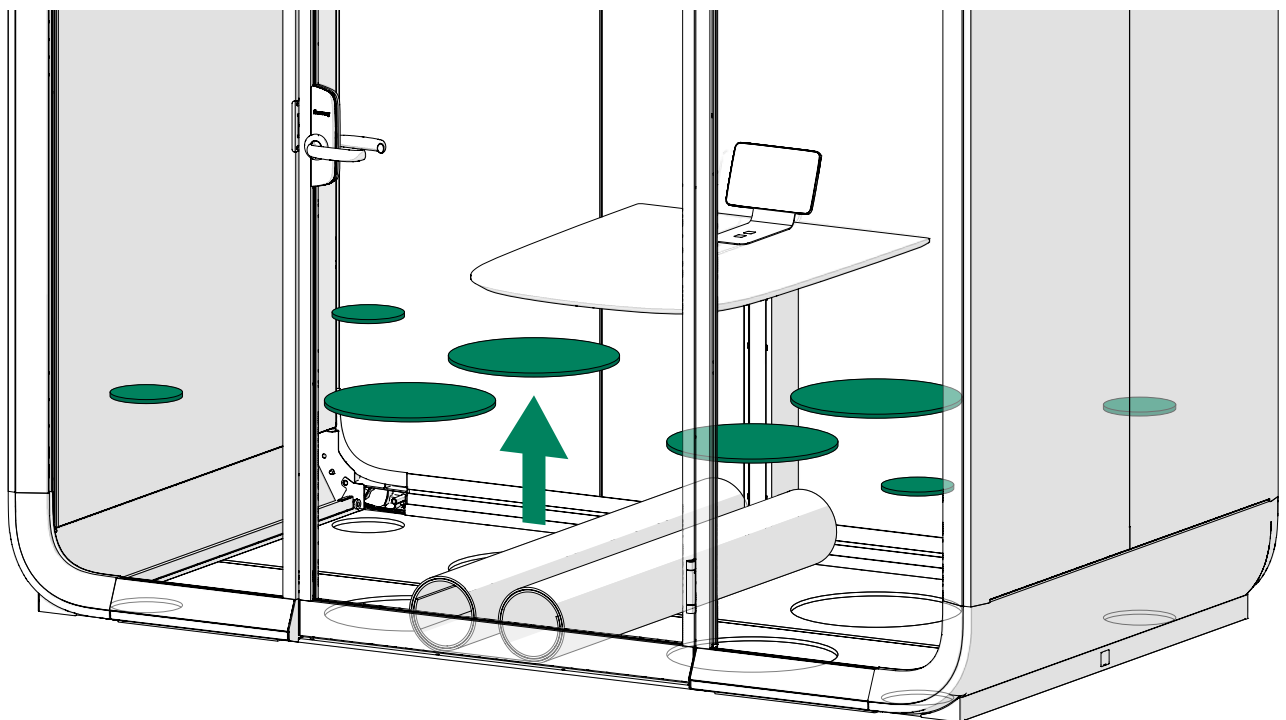
### 3 Install the movability kit and move the pod


Installing the movability kit -video:

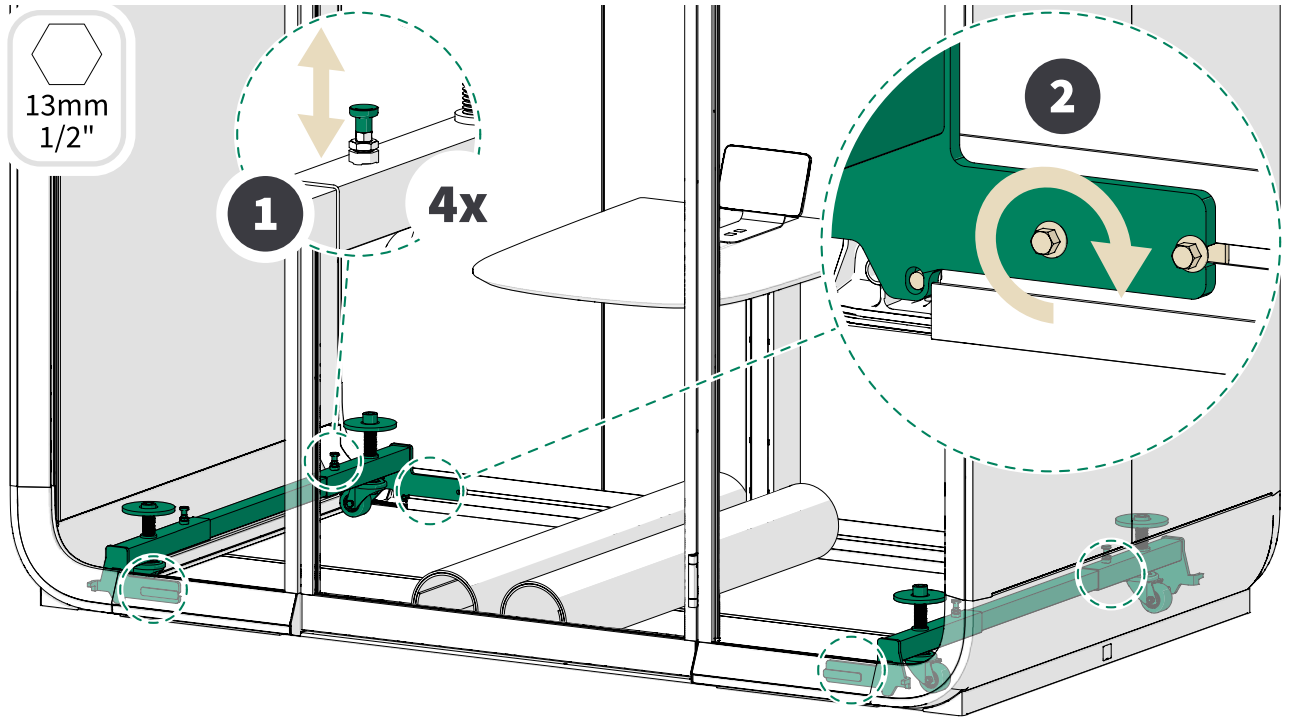




- ⓘ **Note:** Only push the pod below the vertical middle, do not tow it.
- ⓘ **Note:** Only move the pod at walking speed.
- ⓘ **Note:** Only move the pod on even surfaces. The pod can cross thresholds a maximum of 3 mm.

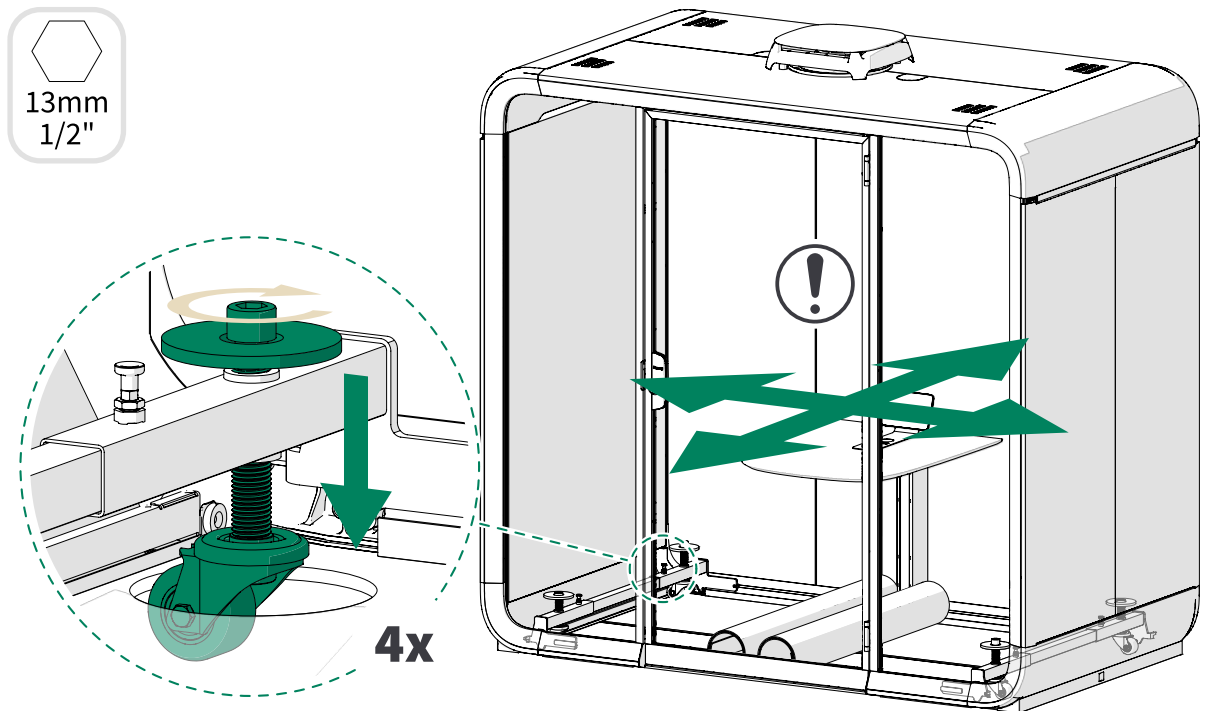
1.



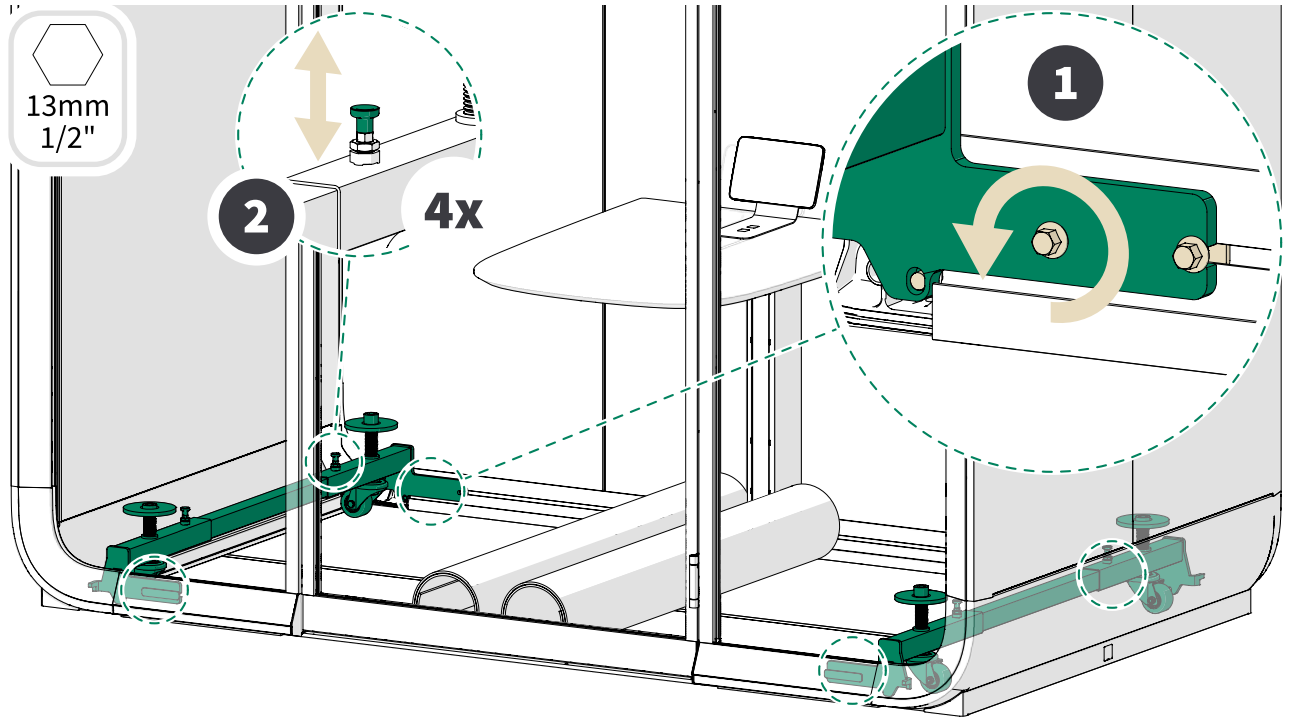
2.  **Warning:** Risk of injury. Do not stand on the floorboards of the pod.



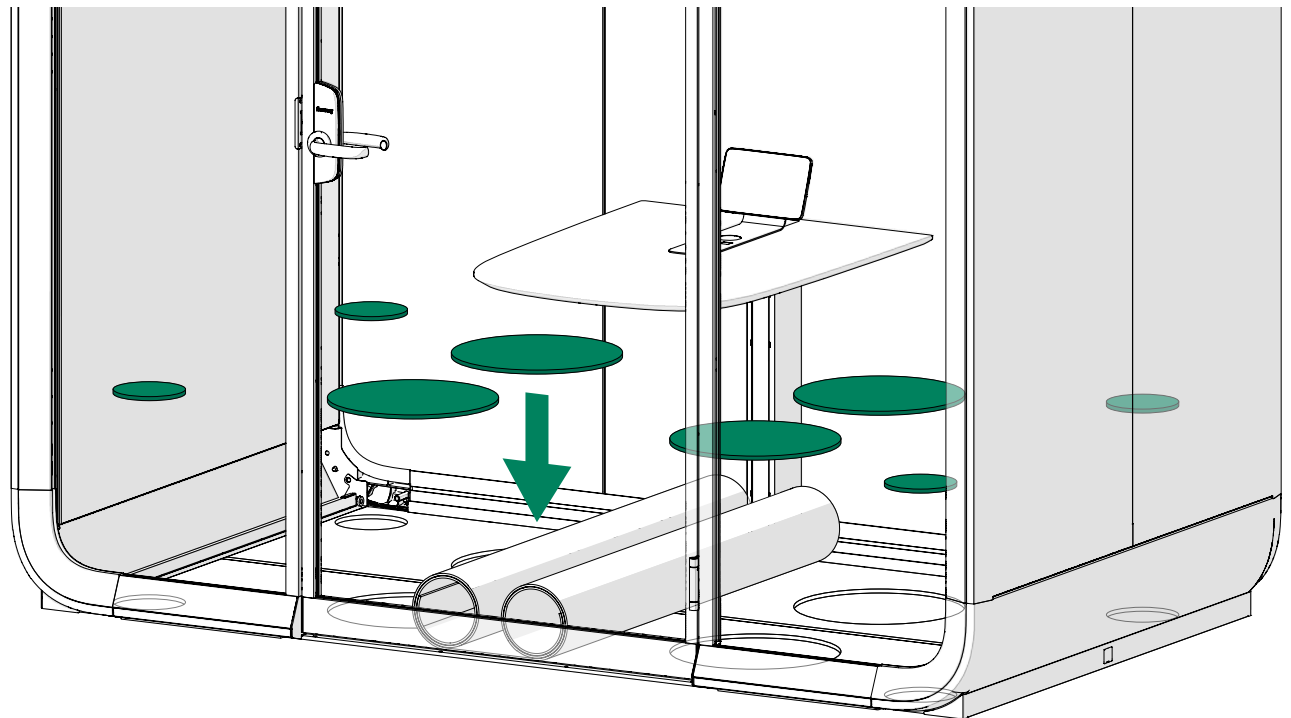
3.  **Note:** Make sure to lift the pod evenly from all corners.
-  **Note:** Carefully push the pod to the new location. When the pod is at the new location, immediately remove the movability kit.



4.



5.

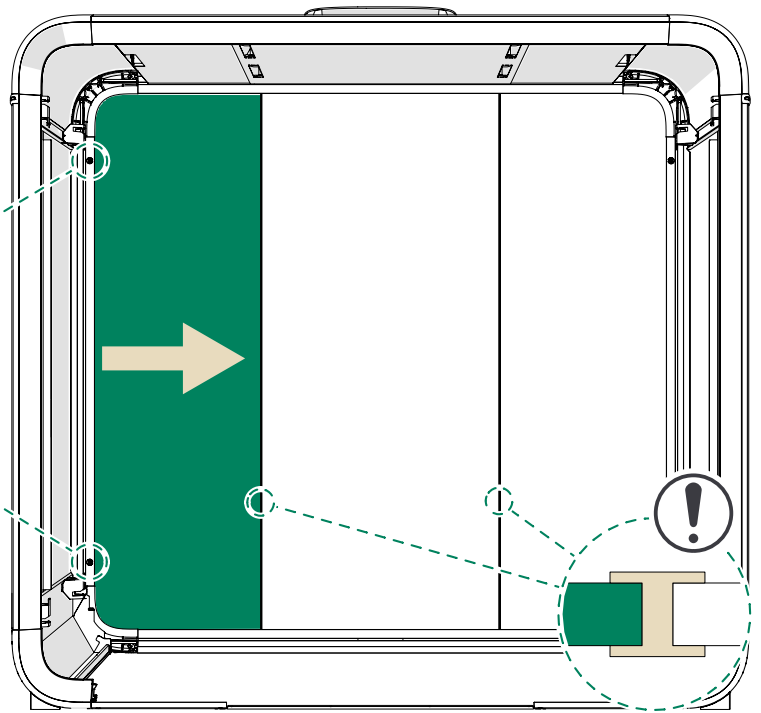
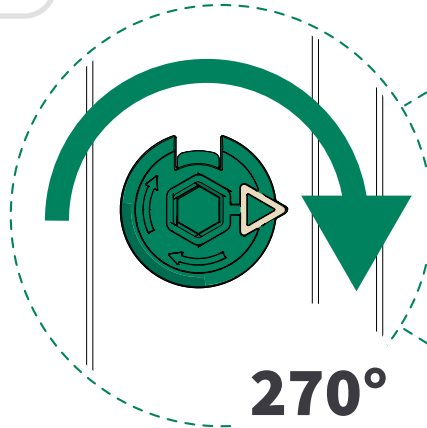


**Note:** After moving the pod, tighten the back glass screws and adjust the door position to make sure that the door closes properly. See sections **Tighten the screws of the back glass wall** on page 13 and **Adjust the door** on page 14 for instructions.

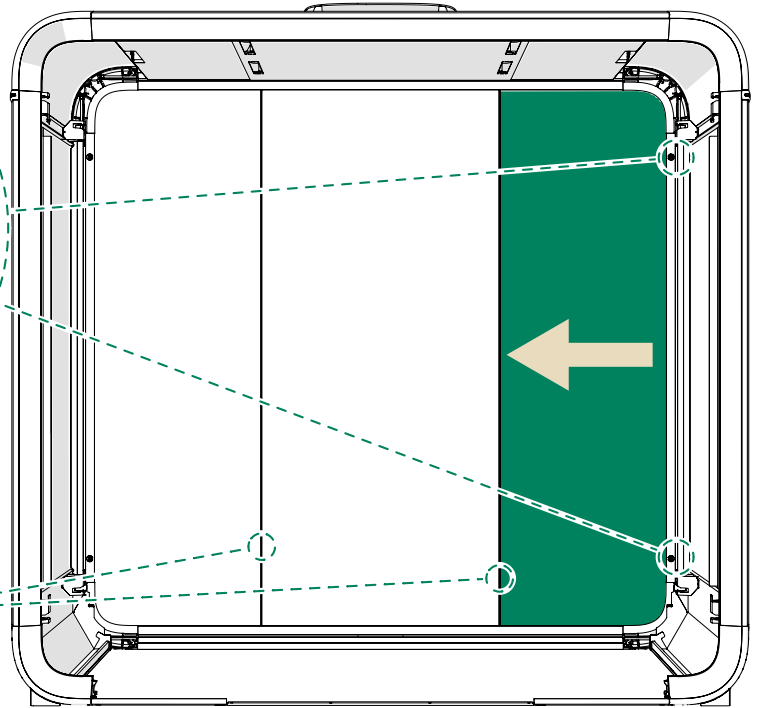
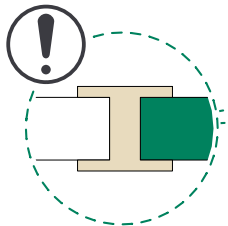
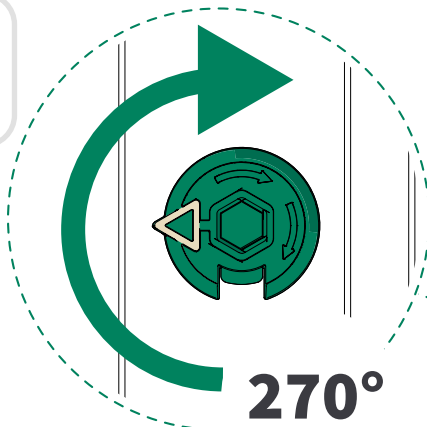
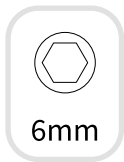
## 4 Tighten the screws of the back glass wall

⚠ **Note:** Make sure that the glasses form a flat and even surface with no gaps or thresholds between the glasses.

1.



2.



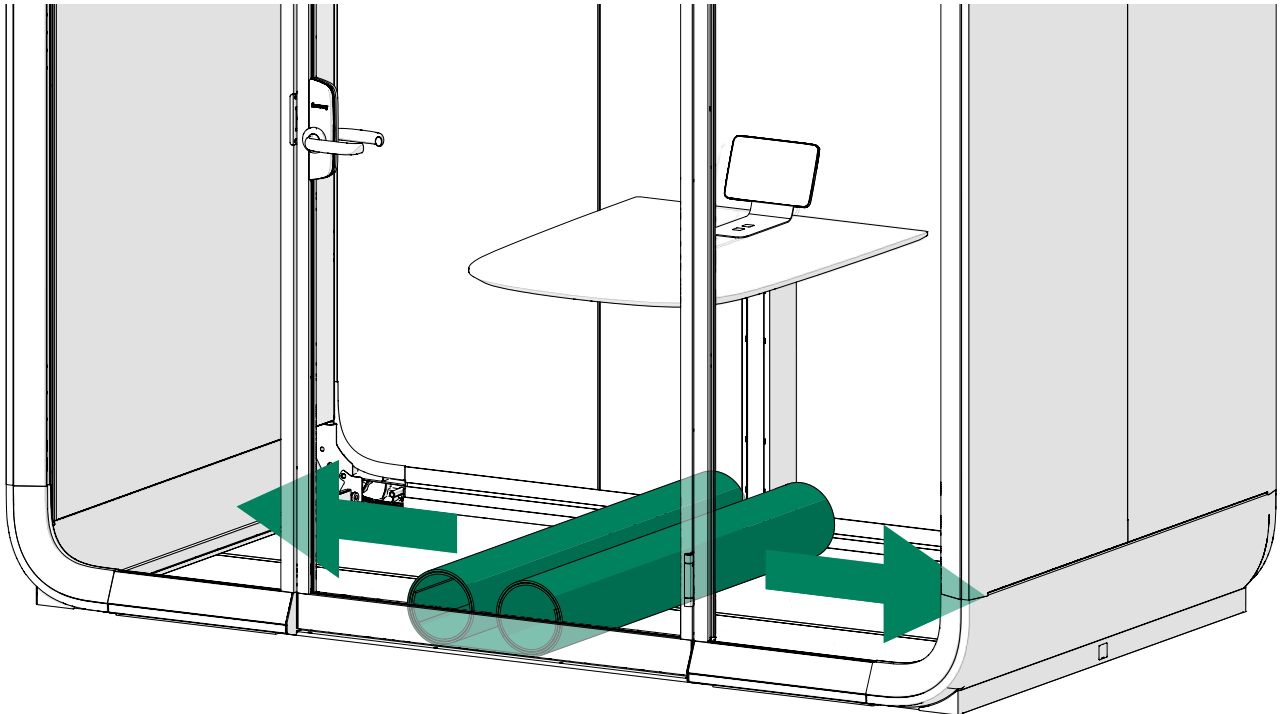
## 5 Adjust the door

**Attention:** If the door is not adjusted according to the instructions, the door might not close properly, which could cause the door glass to break over time.

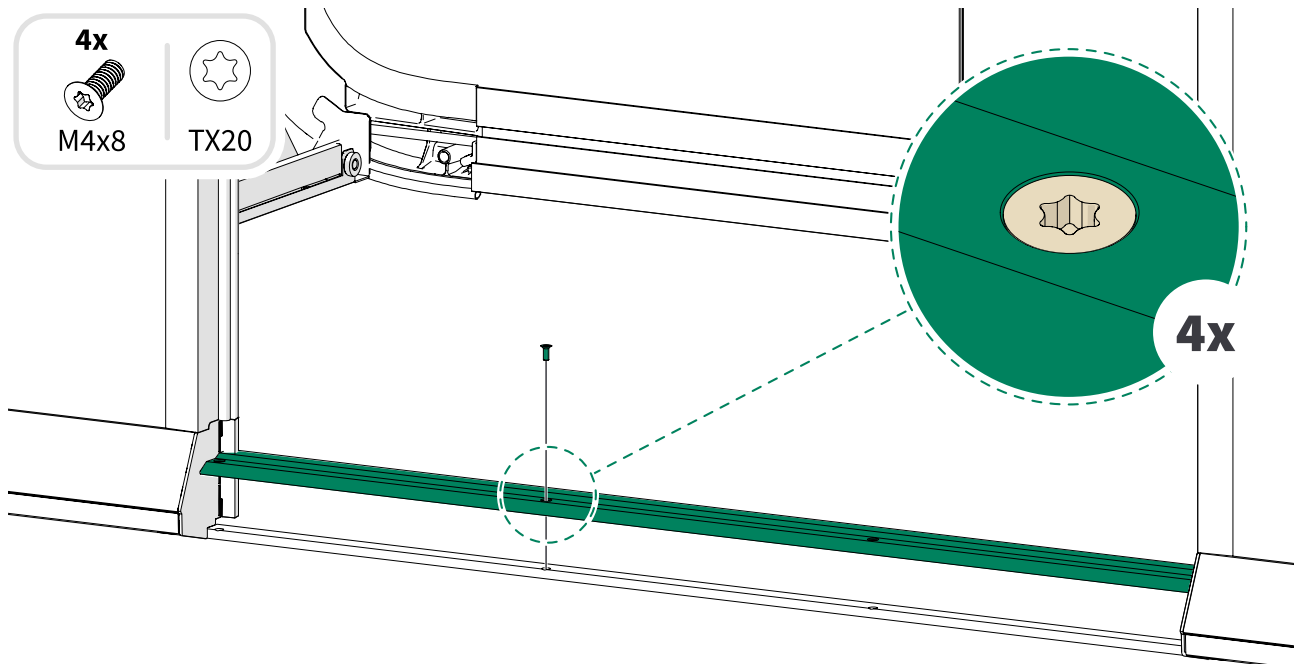
Adjusting the door -video:



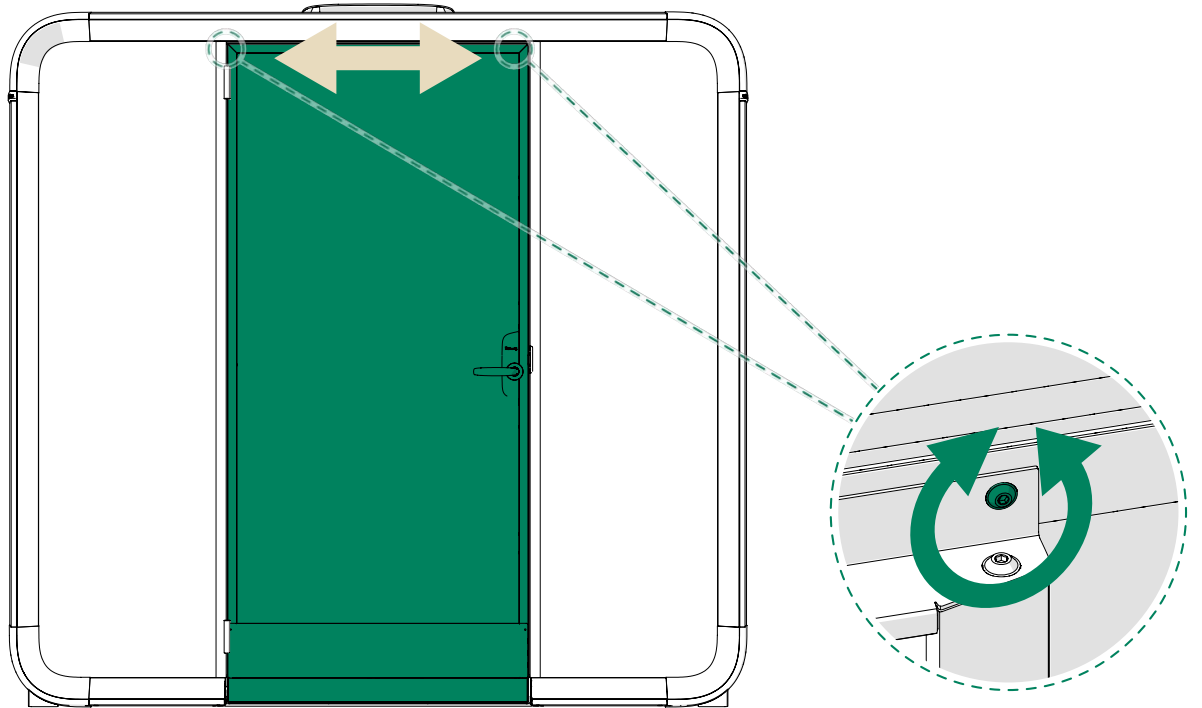
1.




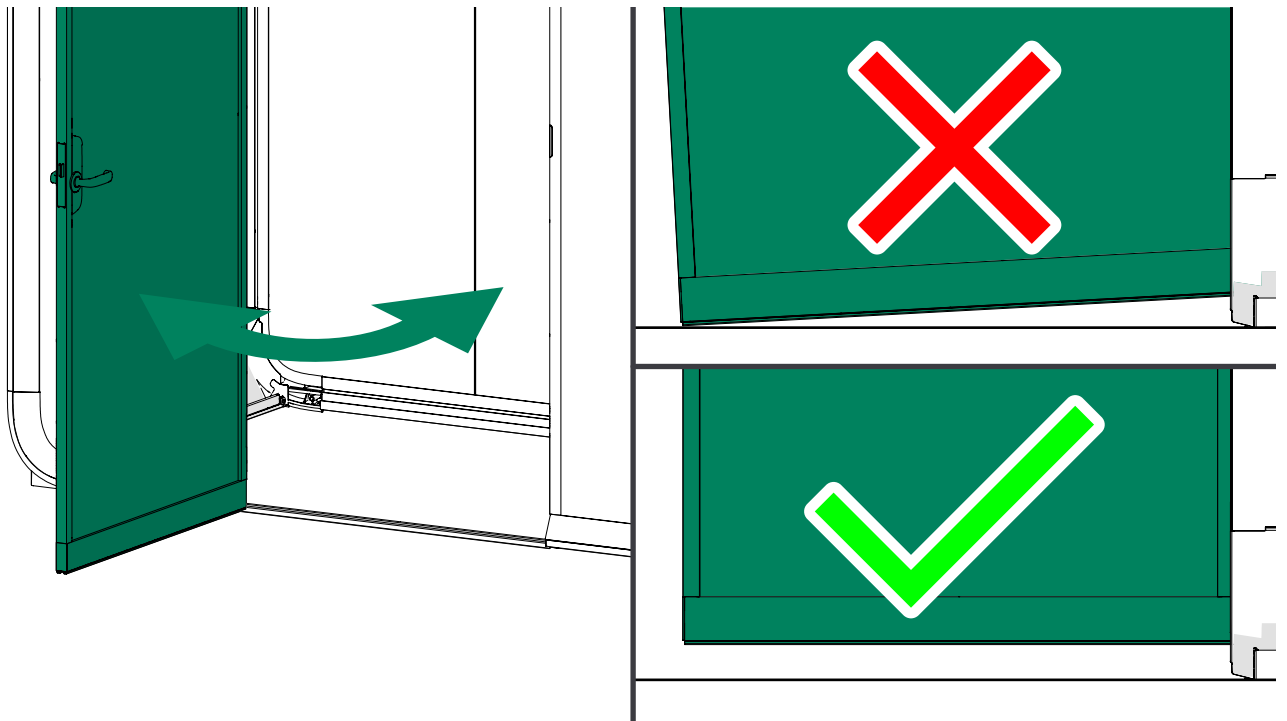
2.



3. If the door does not close properly, loosen the ceiling threshold screws, adjust the door position, and retighten the screws.



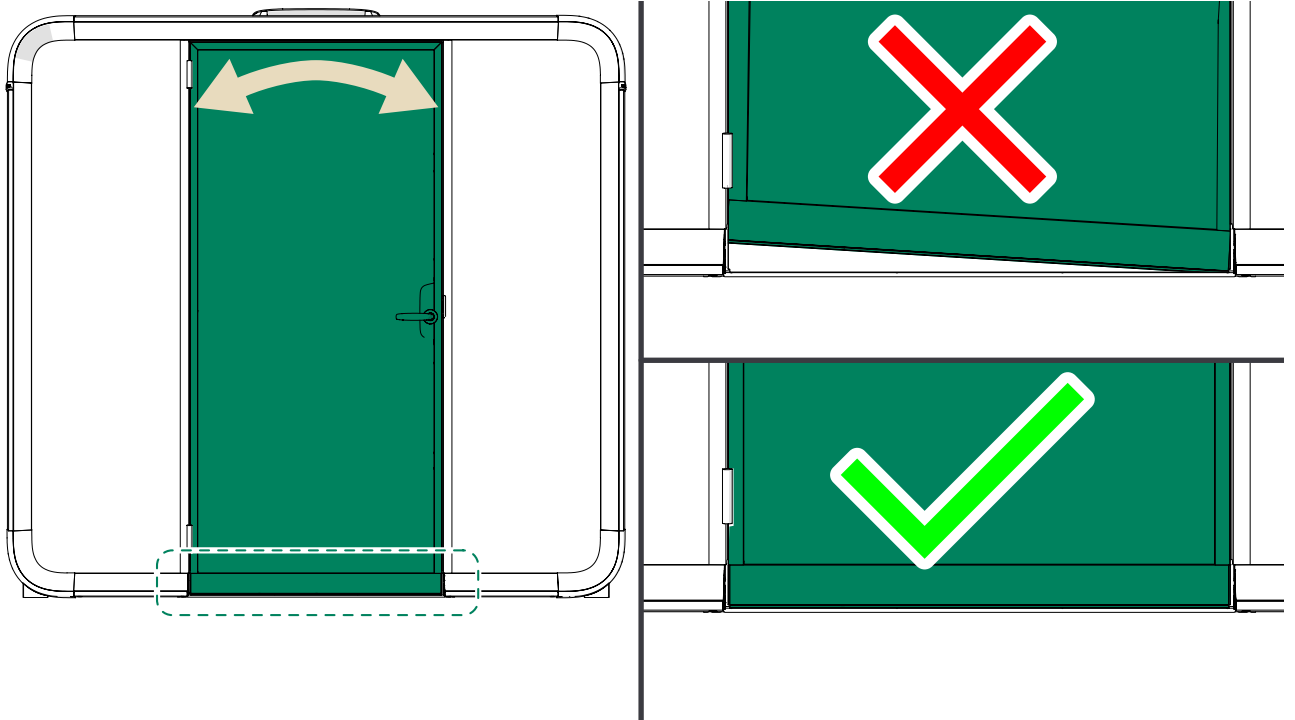
4.  **Note:** Open the door and make sure that it does not scratch the floor.



5.

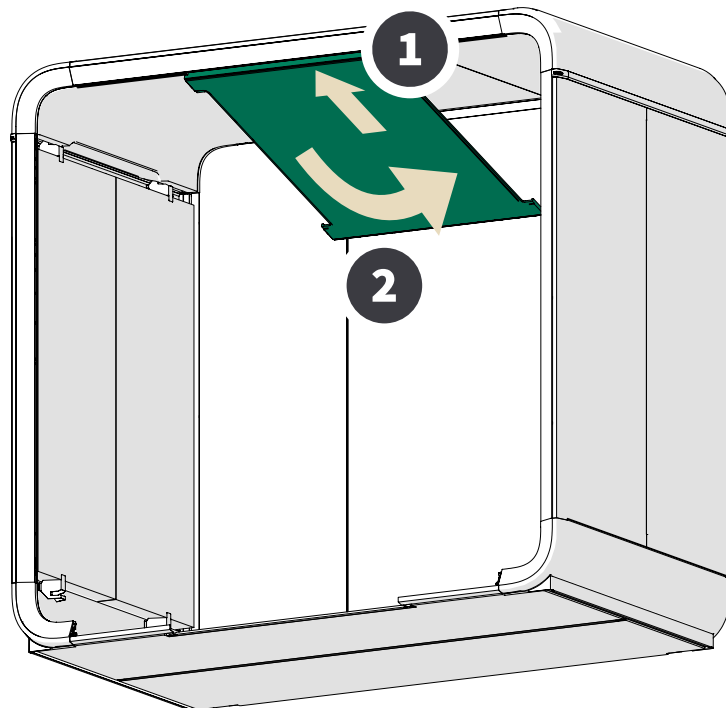
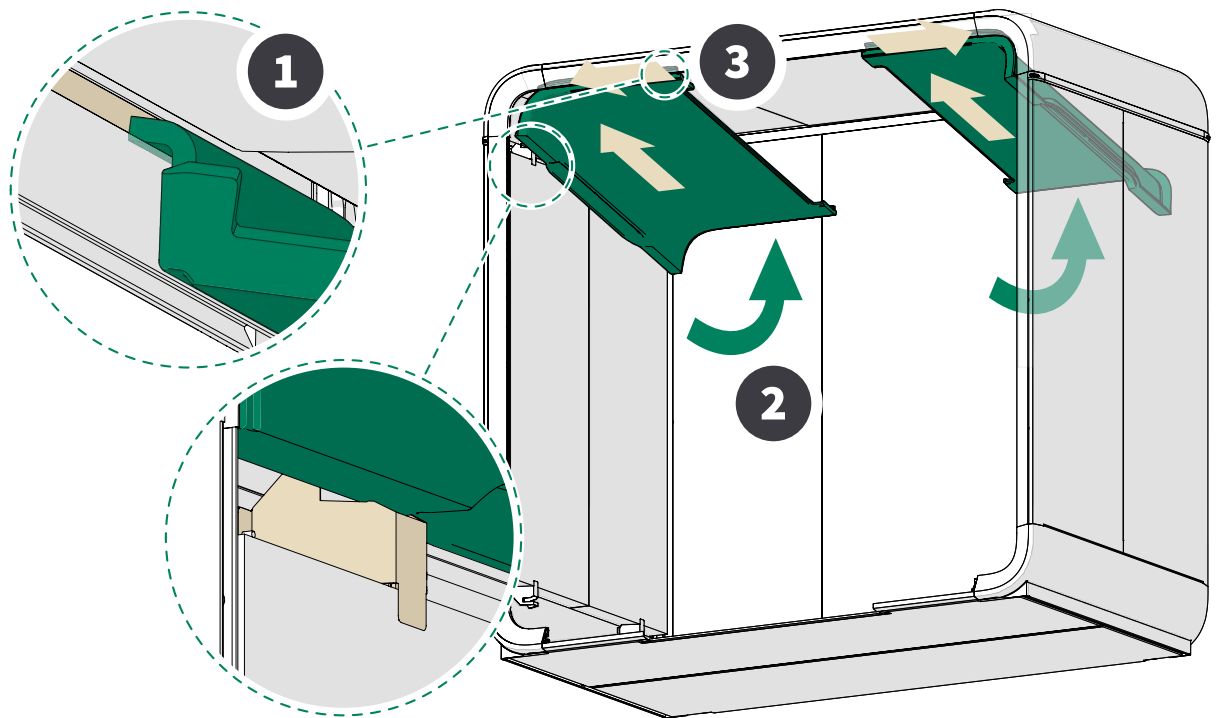


**Note:** Open the door and make sure that it does not scratch the pod threshold.

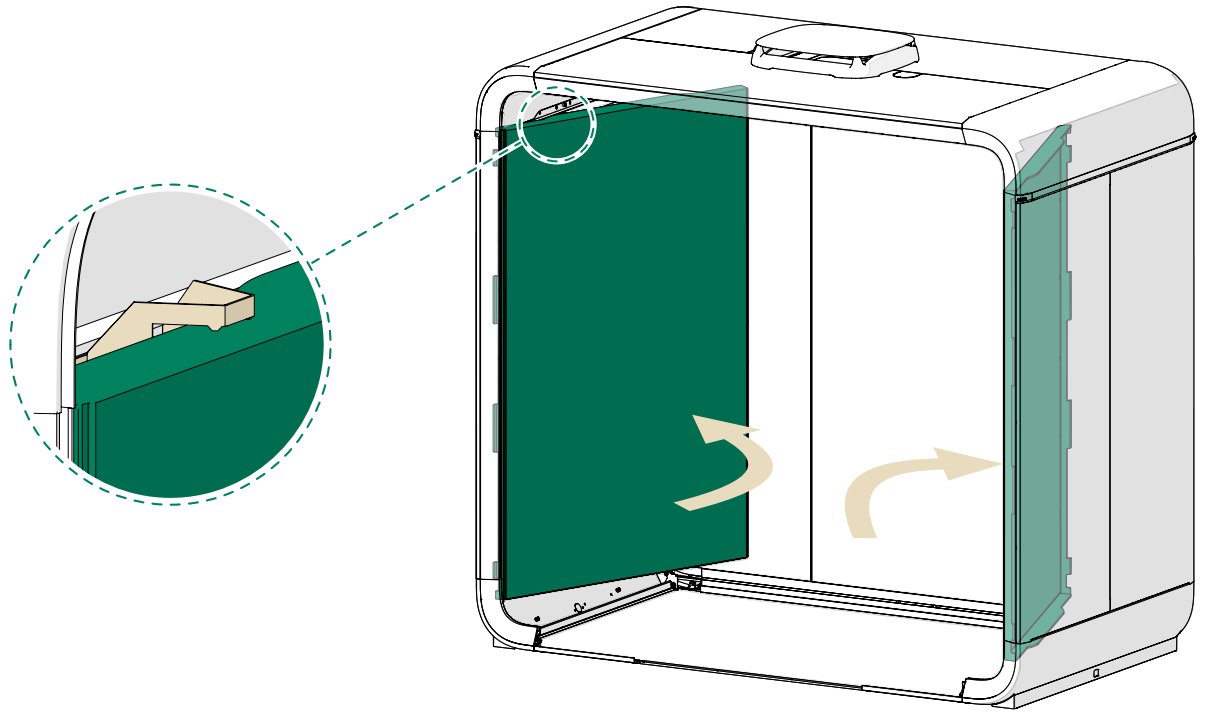


## 6 Reinstall the removed parts

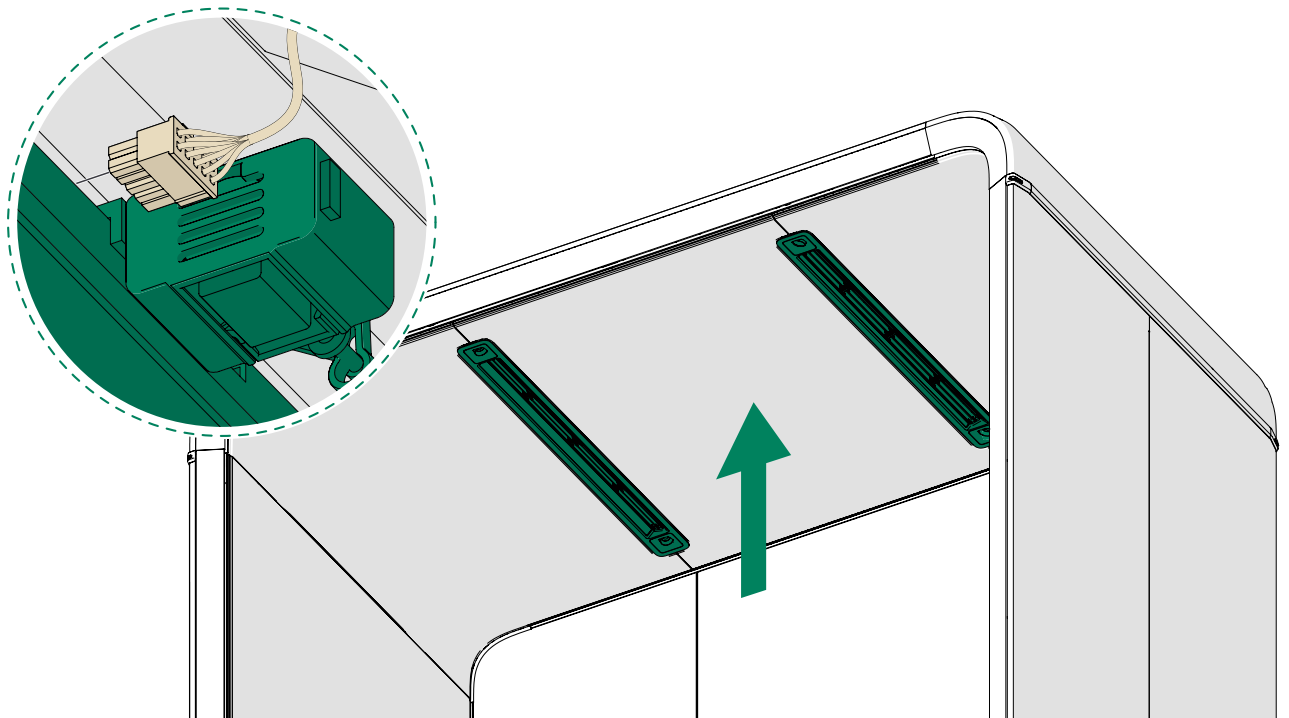
1.



2.

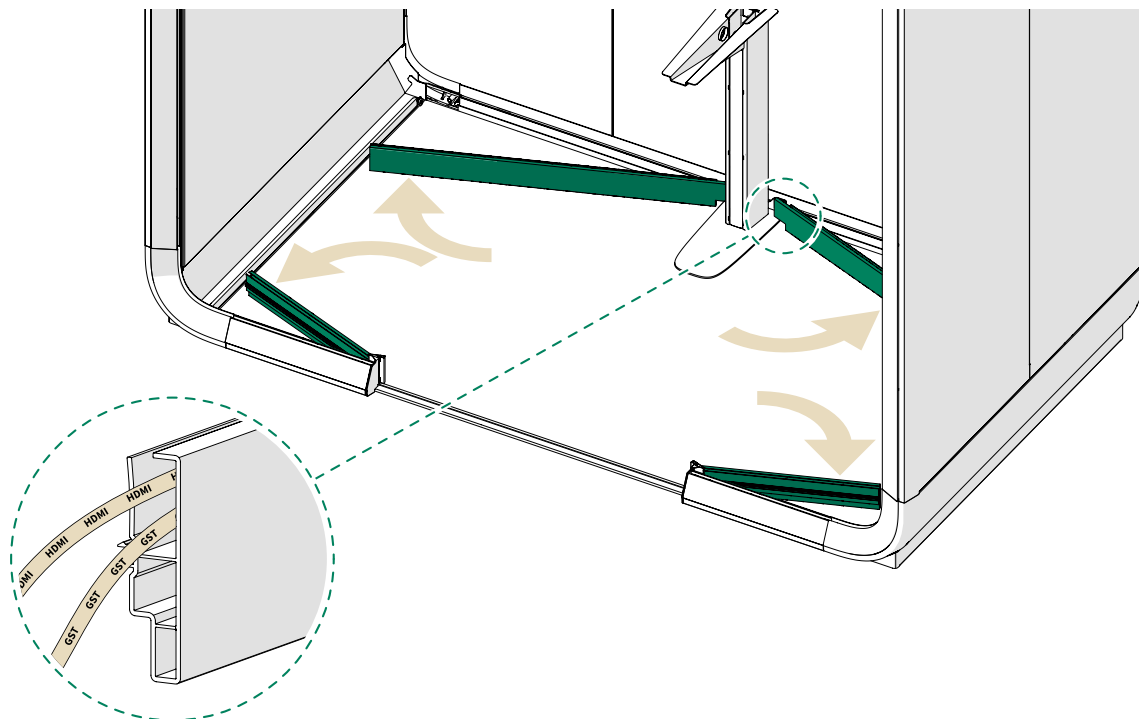


3.

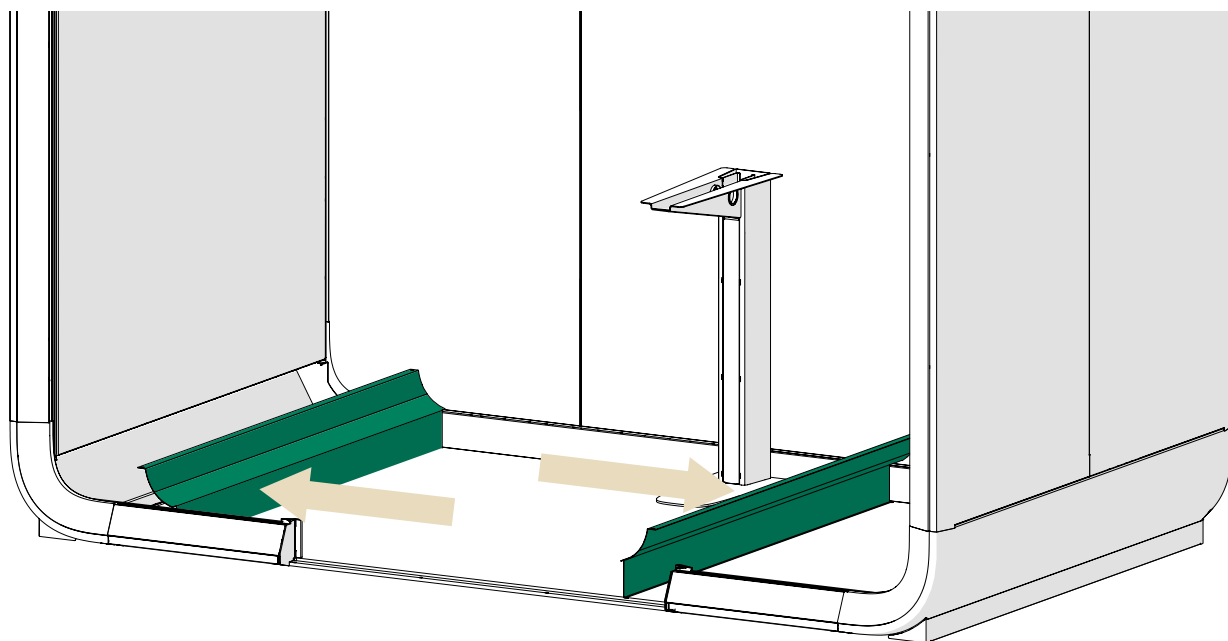


# Framery Four

4.



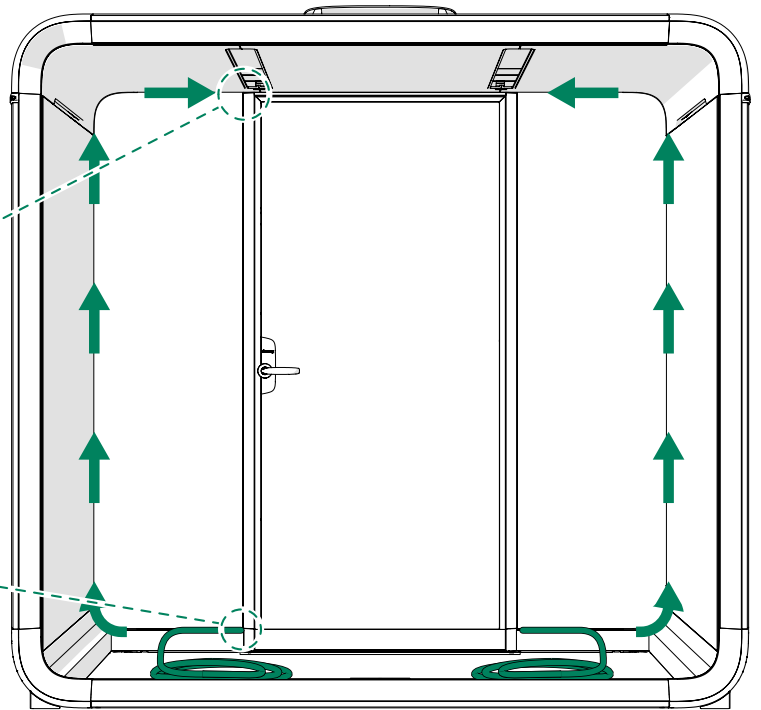
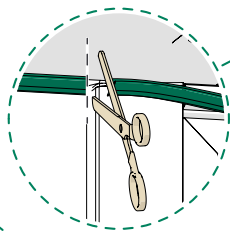
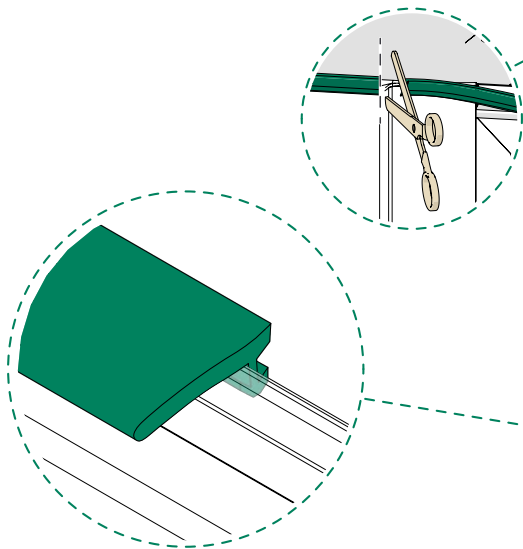
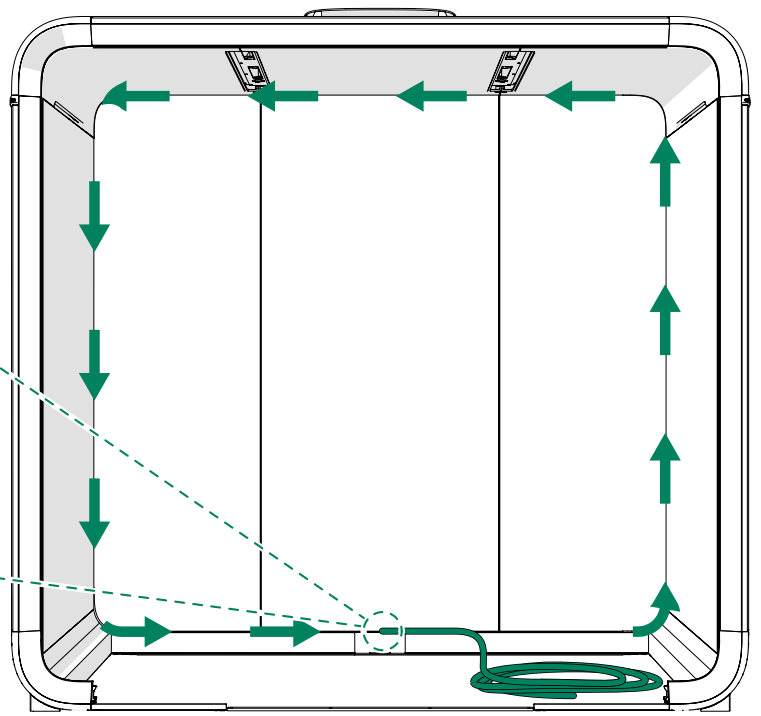
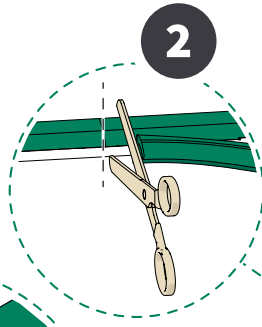
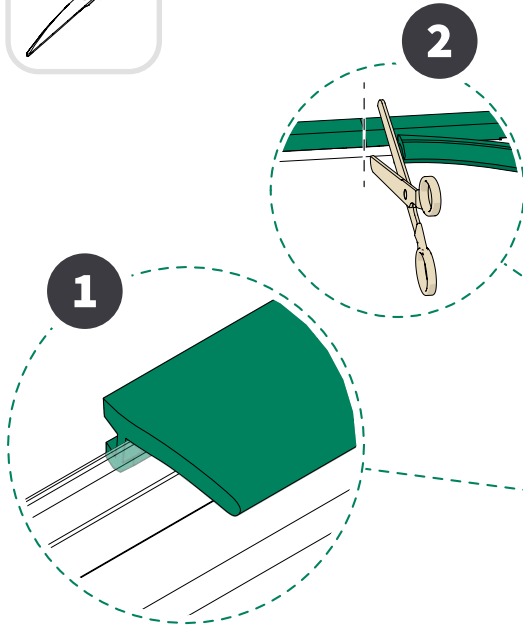
5.



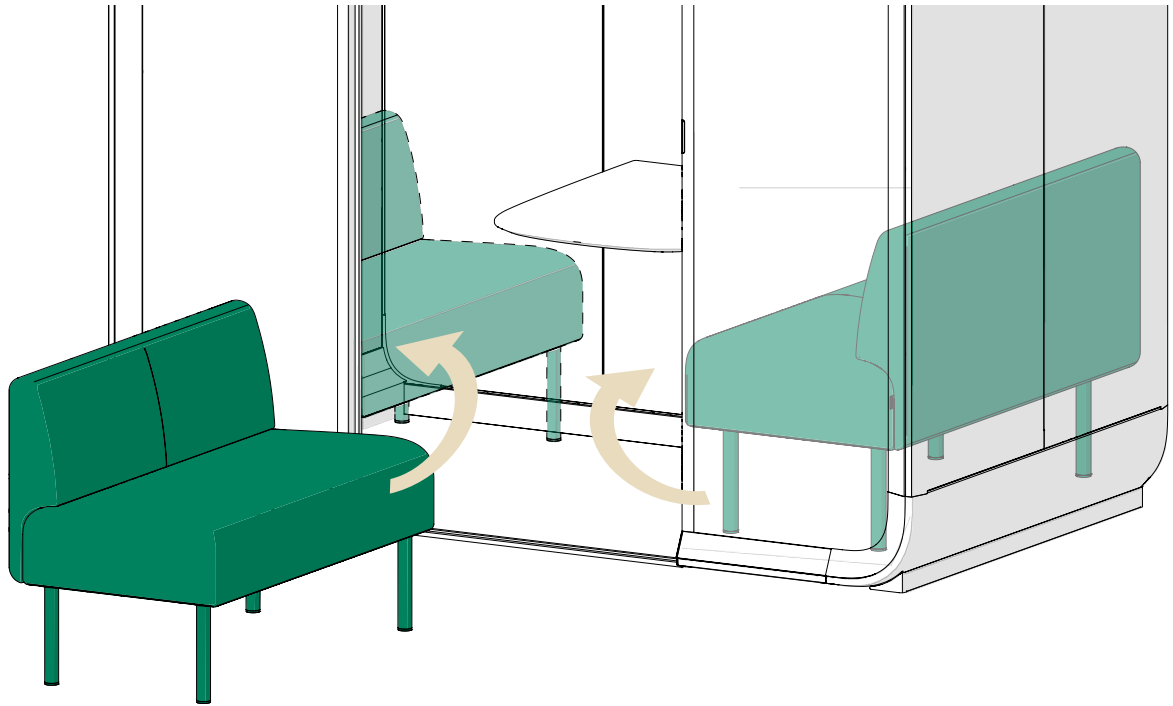
6.



**Note:** Do not stretch the gasket during installation. If you stretch the gasket, it is likely to come loose at some point.



7.



**framery**

Framery Four  
Moving the pod  
Patamäenkatu 7  
33900 Tampere  
FINLAND  
VAT: FI 23527139