

Framery Four

Fire safety

English
Version 2.0

Tampere, Finland 04.03.2026

Contents

1 Important safety and product instructions.....	3
1.1 Preface.....	3
1.2 Product information.....	3
1.3 Copyright.....	3
1.4 Manual contents.....	3
2 Installation locations for junction box and sprinkler / cease fire.....	4
3 Installation requirements.....	5
3.1 Tools and accessories.....	5
4 Install a fire alarm notification device (strobe, strobe-horn, speaker, speaker-strobe).....	6
5 Install a fire suppression device (sprinkler / cease fire).....	15
5.1 Install the sprinkler (hard pipe).....	20
5.2 Install the cease fire.....	22

1 Important safety and product instructions

1.1 Preface

This instruction manual describes the installation of the product. Everyone involved in installing the product must read and understand the contents of the installation and safety instructions.

This instruction manual gives you necessary information for the correct installation of the product.



Note: Proper installation of fire safety devices according to these instructions does NOT void the product warranty.

For complete product and safety instructions, see help.framery.com.

1.2 Product information

The information in this manual corresponds to the product at the time of delivery. All information included in this manual is valid at the time of publication.

1.3 Copyright

This document must not be copied, presented, or delivered to a third party without explicit permission from Framery. The use of this document for any purpose other than those allowed by Framery is prohibited. Framery reserves the right to change the instructions related to the product without separate notice.

1.4 Manual contents

The installation instructions contain the following information:

- General information about the purpose and content of the instructions
- Information related to safety
- Installation instructions

2 Installation locations for junction box and sprinkler / cease fire

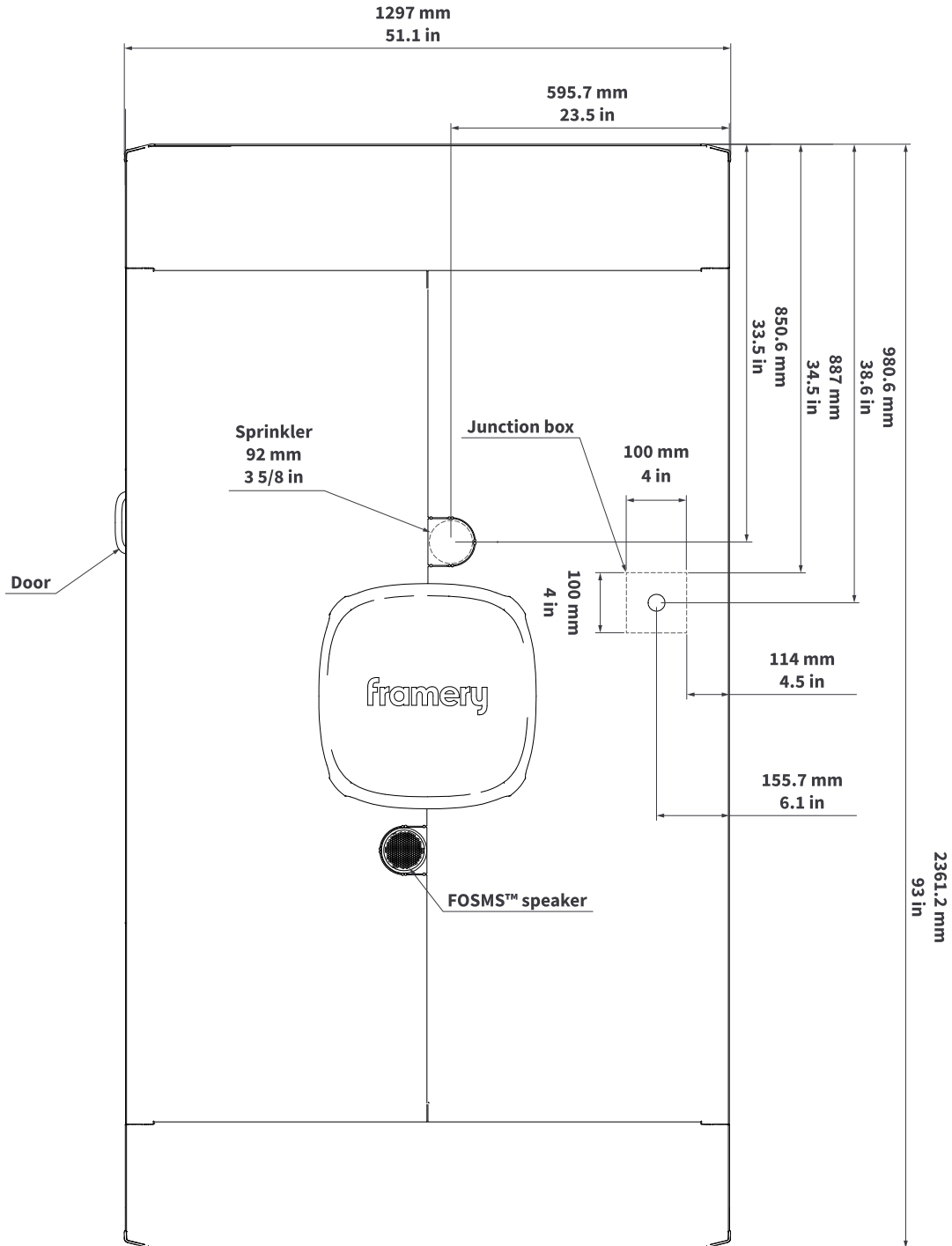


Figure 1: Framery Four (top view) dimensions

3 Installation requirements

3.1 Tools and accessories

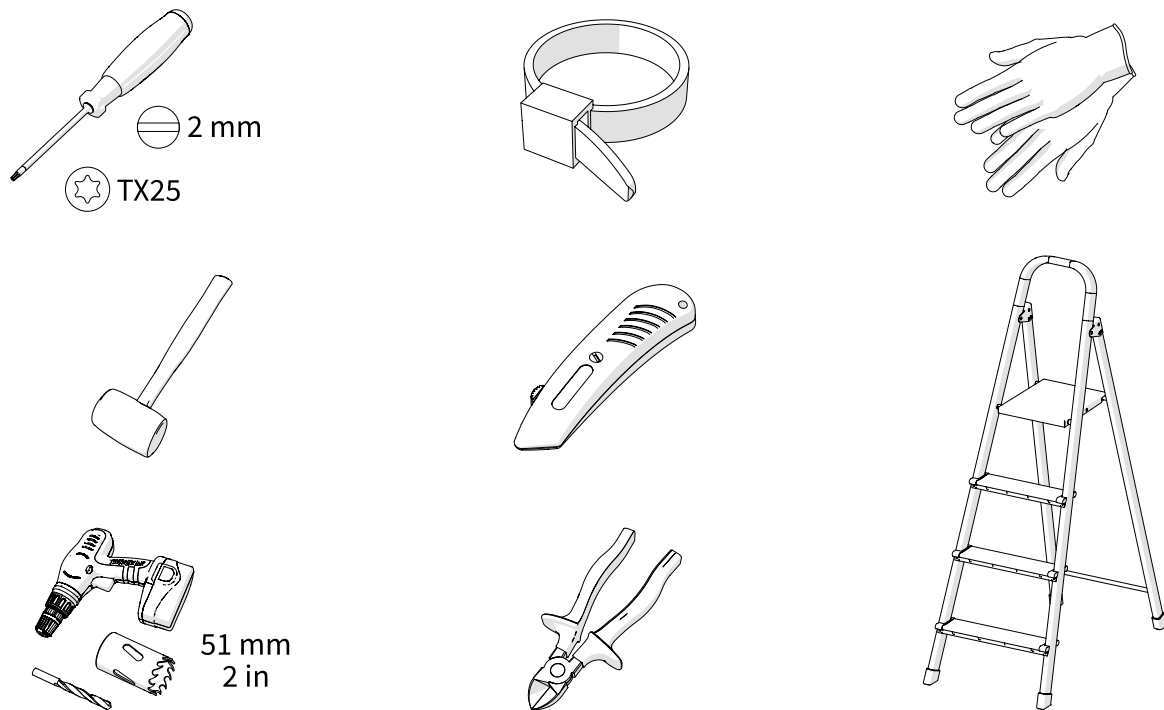


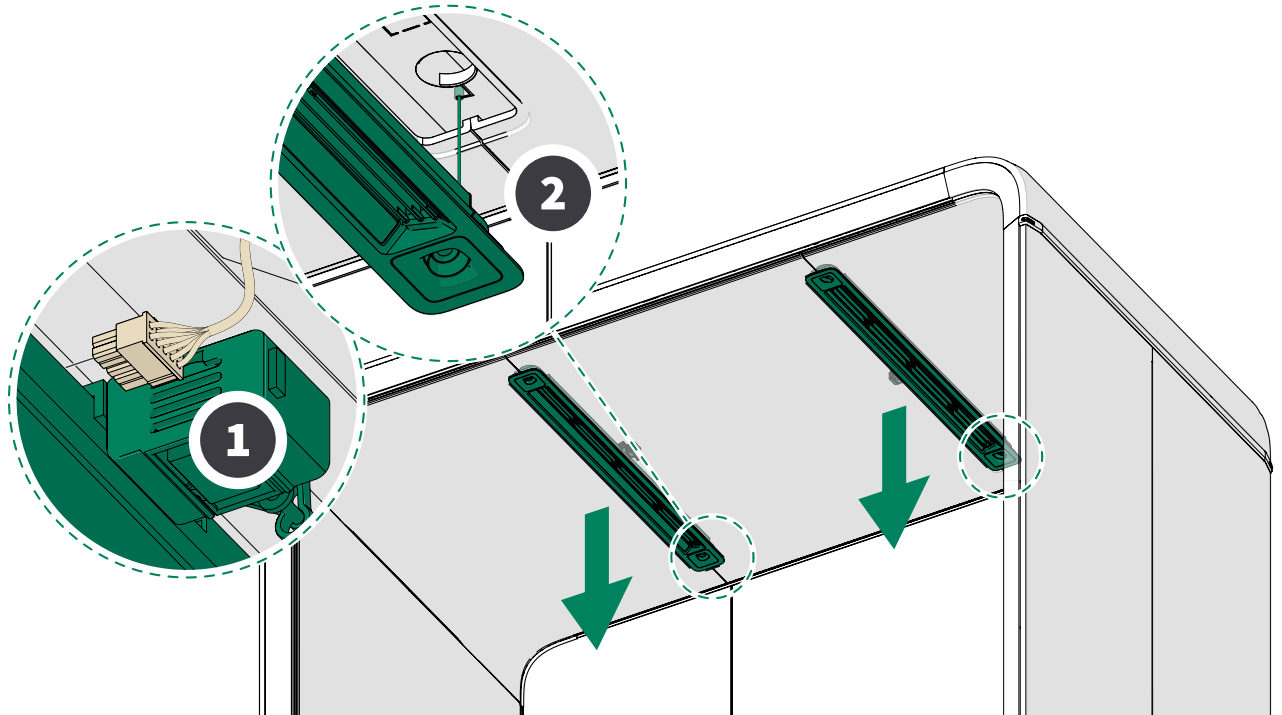
Figure 2: Tools and accessories

4 Install a fire alarm notification device (strobe, strobe-horn, speaker, speaker-strobe)

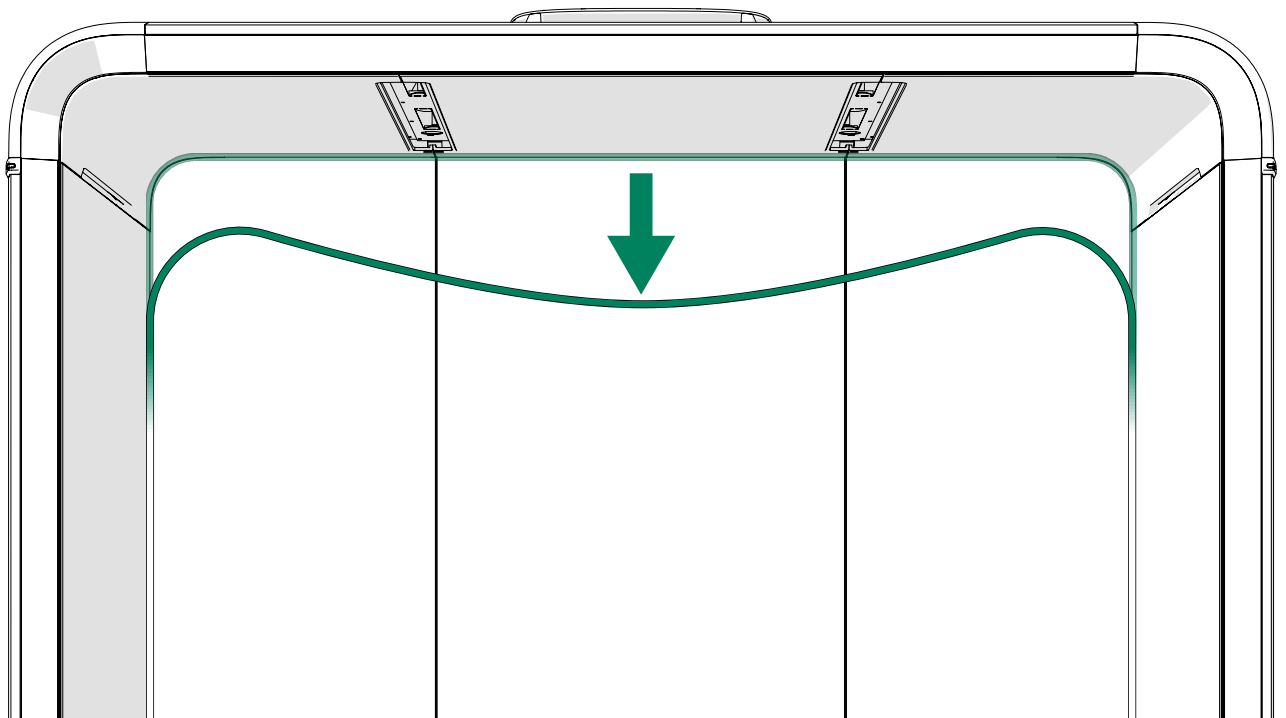


DANGER: Always disconnect the pod from the power outlet before you begin disassembly, maintenance, moving, or any other procedure.

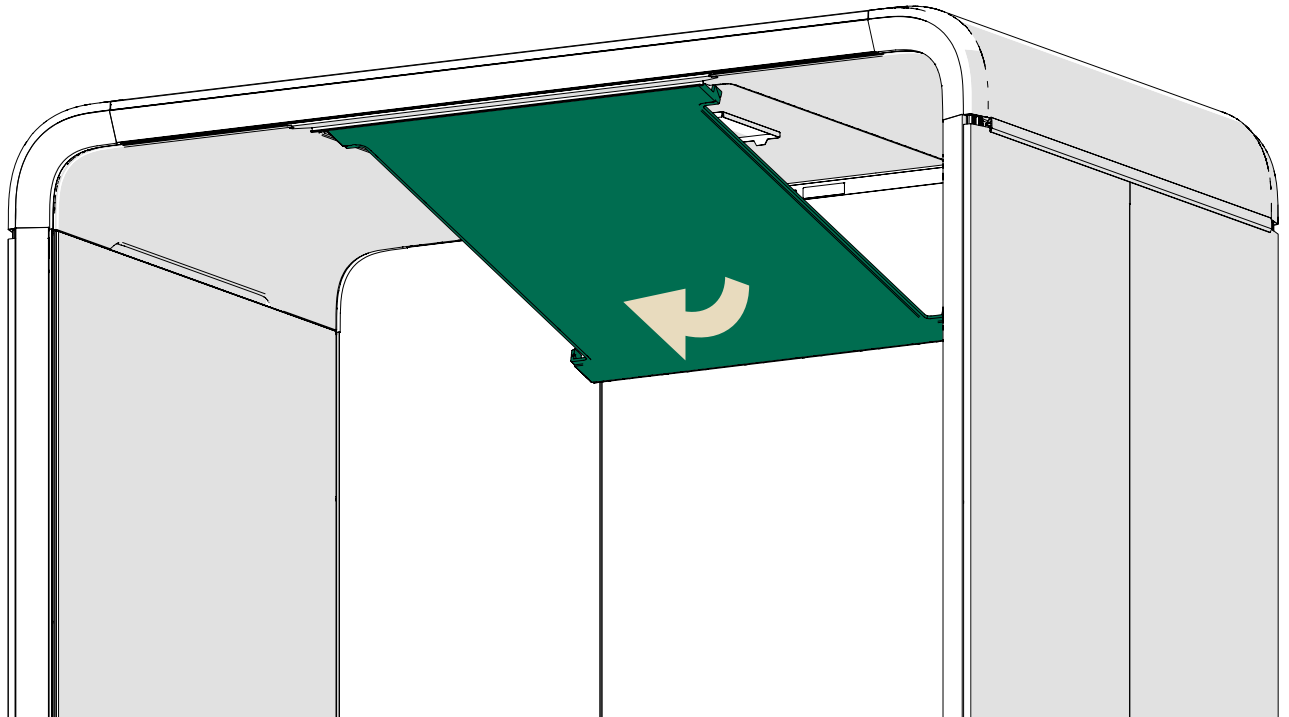
1.



2.



3.



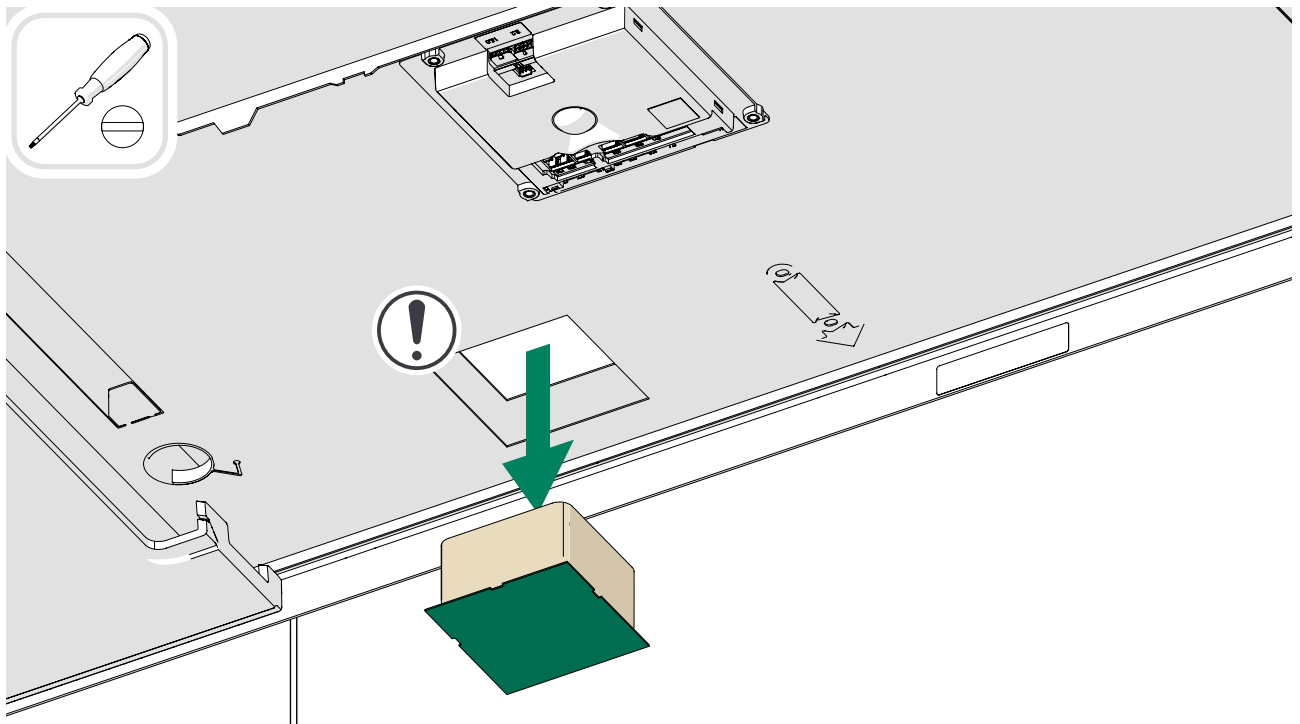
4.



Note: Place a protective blanket or cardboard on the table and furniture.

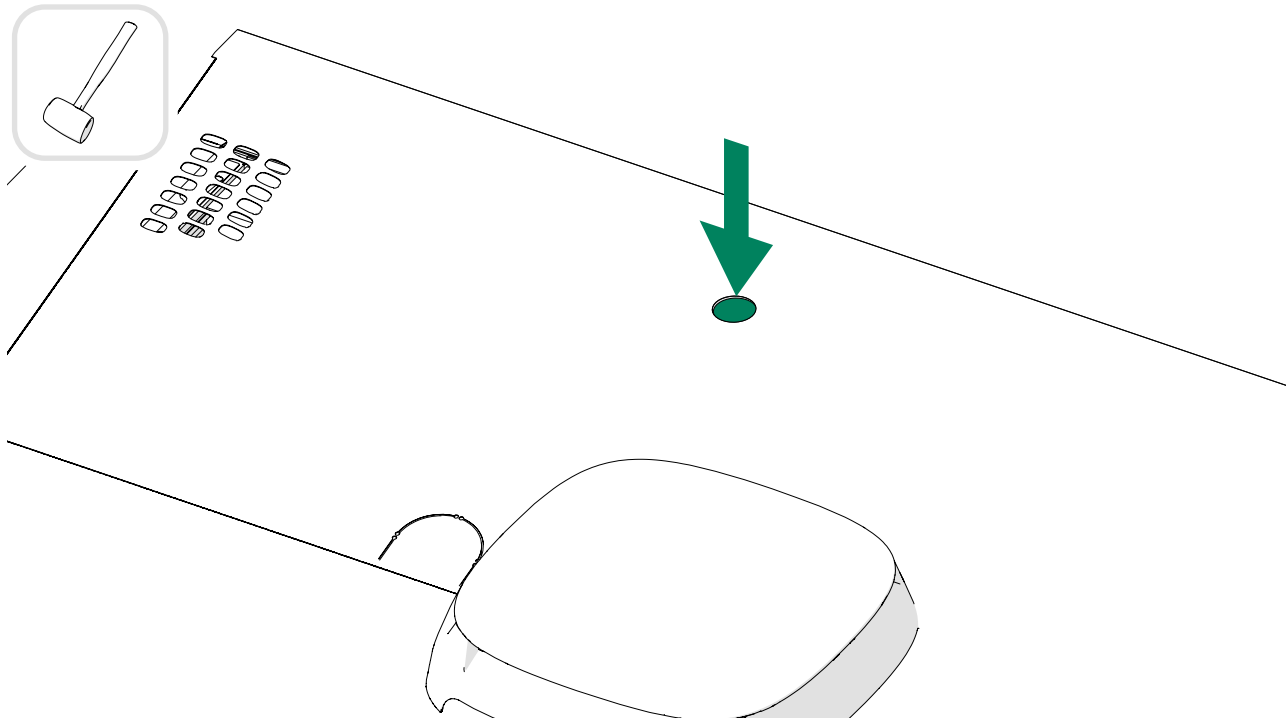


Note: Be careful not to drop the junction box when removing it.

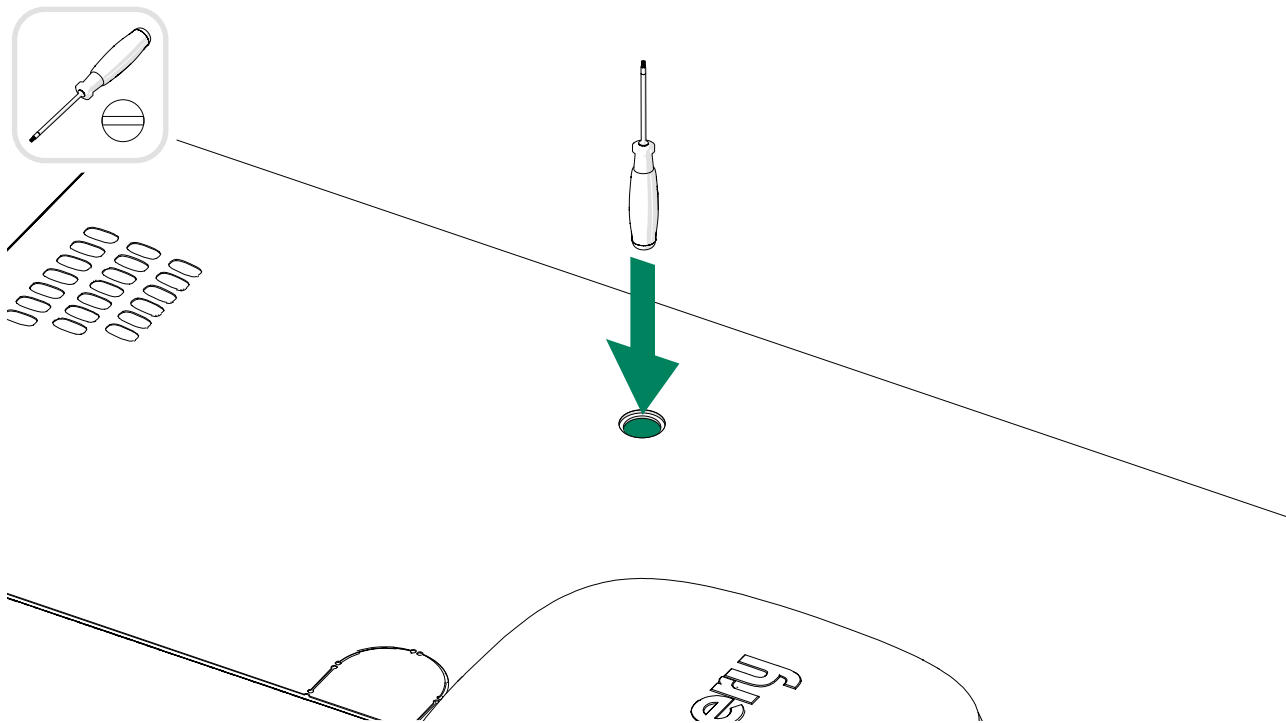


5. Punch out the precut flap in the exterior panel and in the roof. Use a soft mallet or the handle end of a screwdriver.

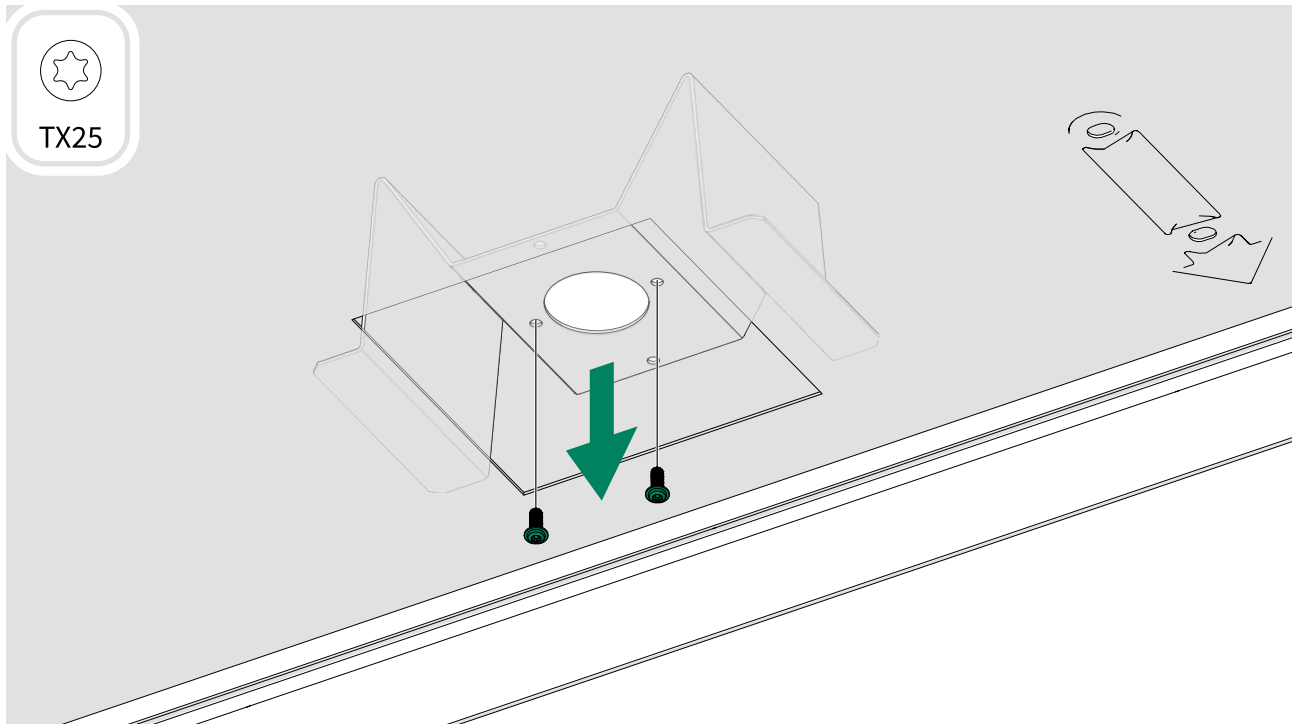
a.





b.

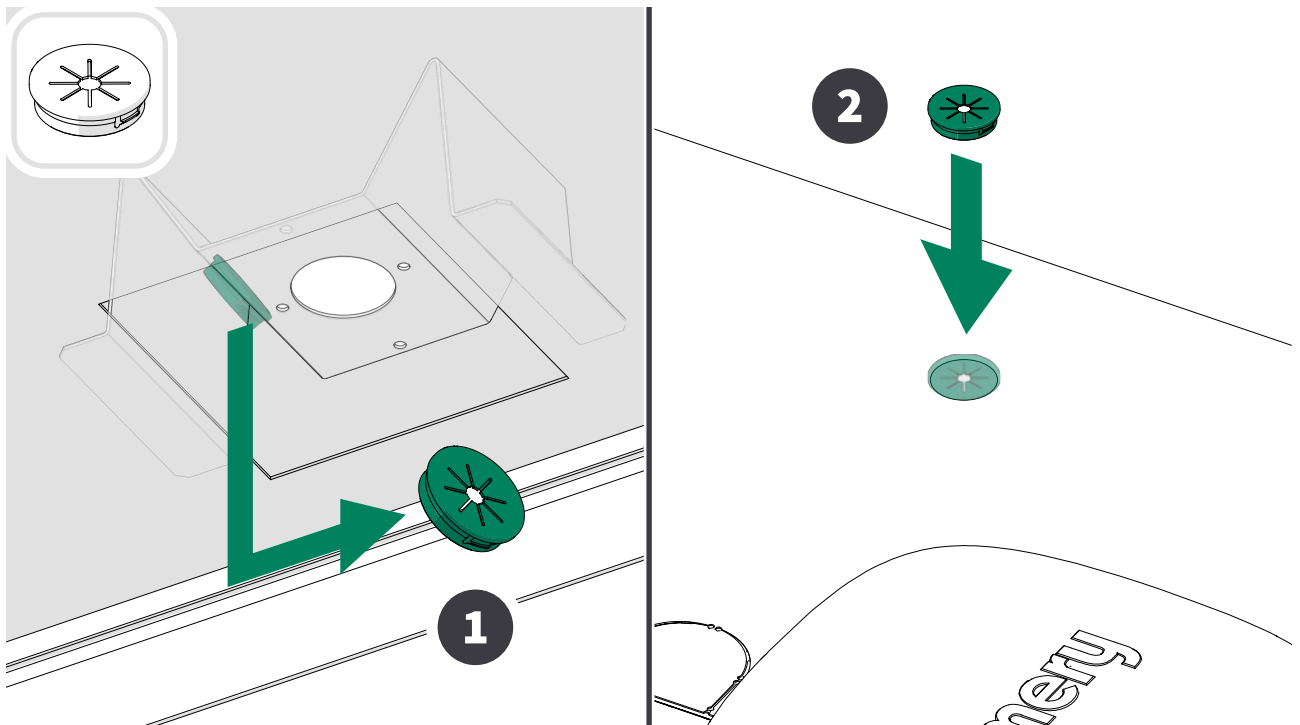




6. Remove the two screws from the ceiling.

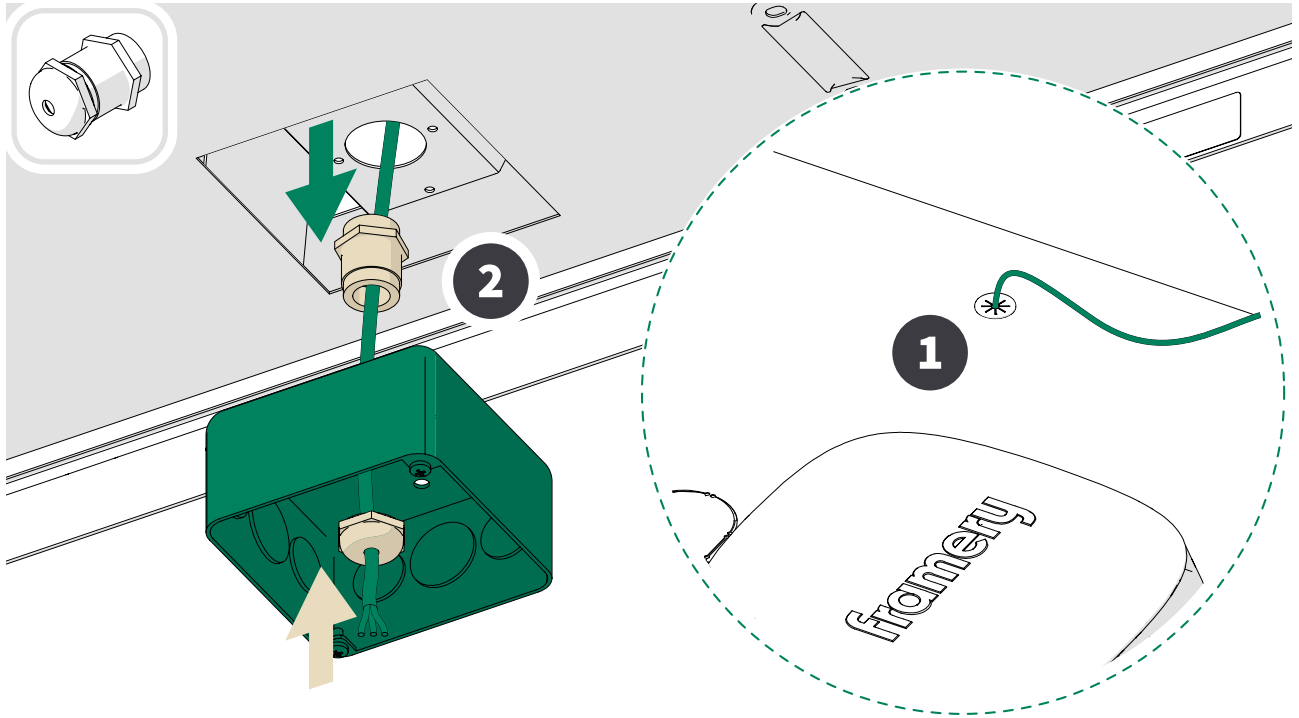




7.  **Note:** The cable lead-through is in the inlet (ceiling) module.

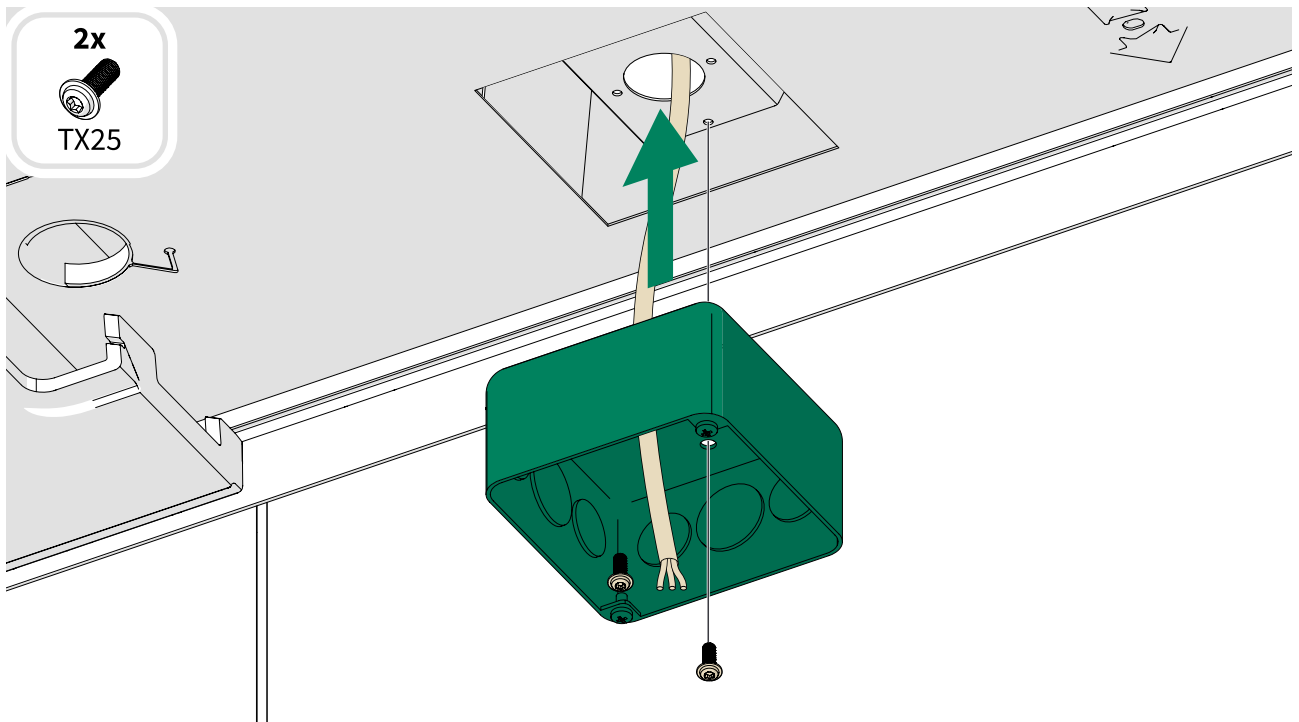
 **Note:** Skip this step if you are using rigid or flexible conduit for the wiring.



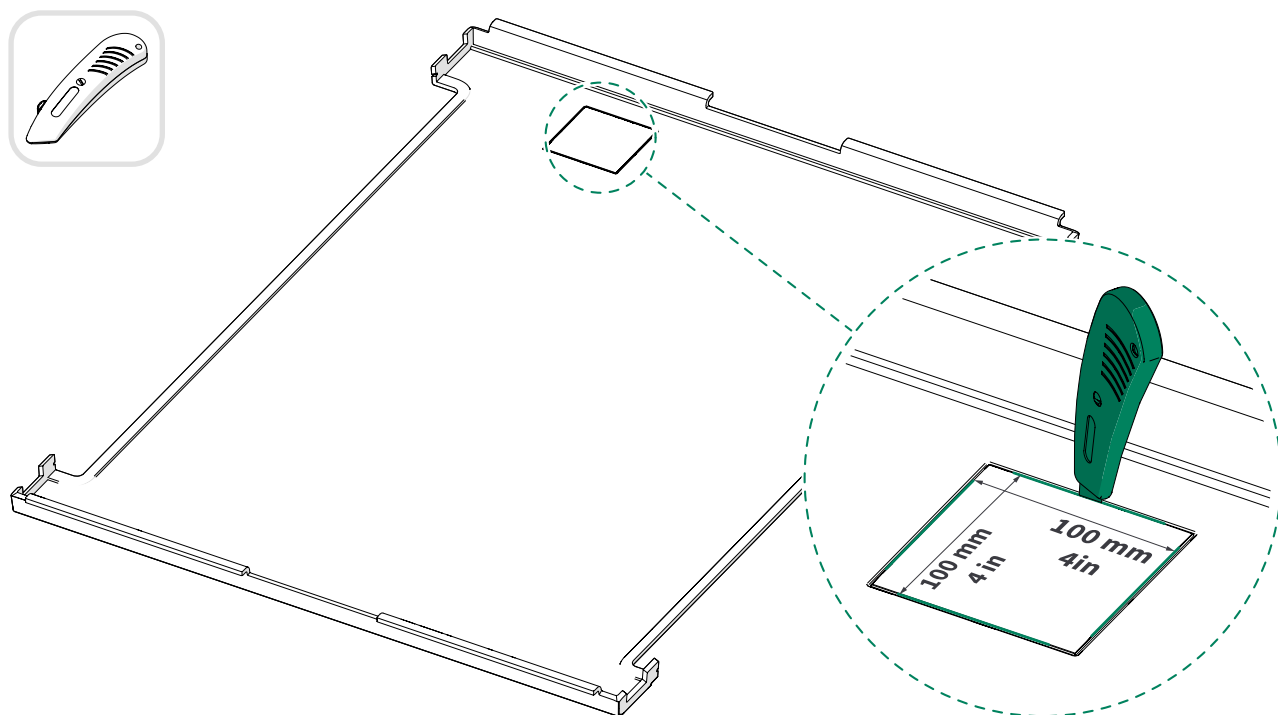
8.  **Note:** The cable strain relief shown in the image is not included in the delivery.
-  **Note:** If required in your jurisdiction, rigid or flexible conduit can be run through the ceiling and attached to the back of the junction box.



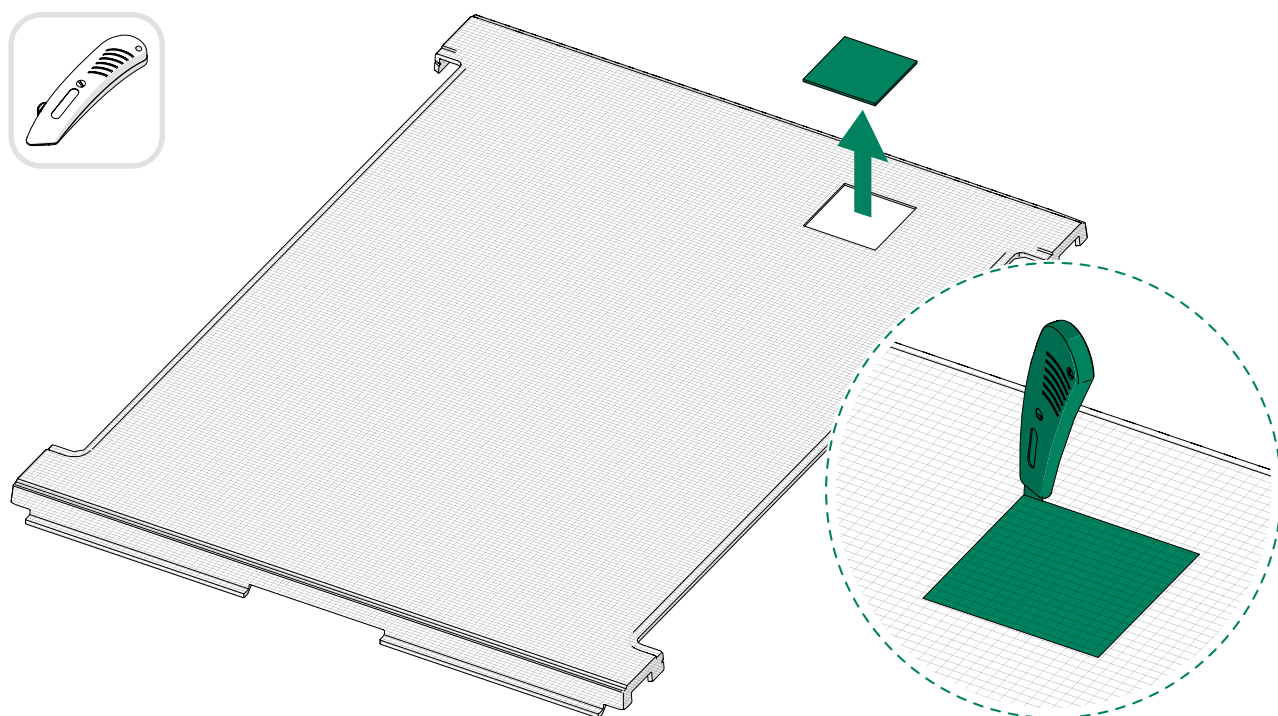
9.  **Note:** The two screws are attached to the junction box.
-  **Note:** The green screw is used for grounding.



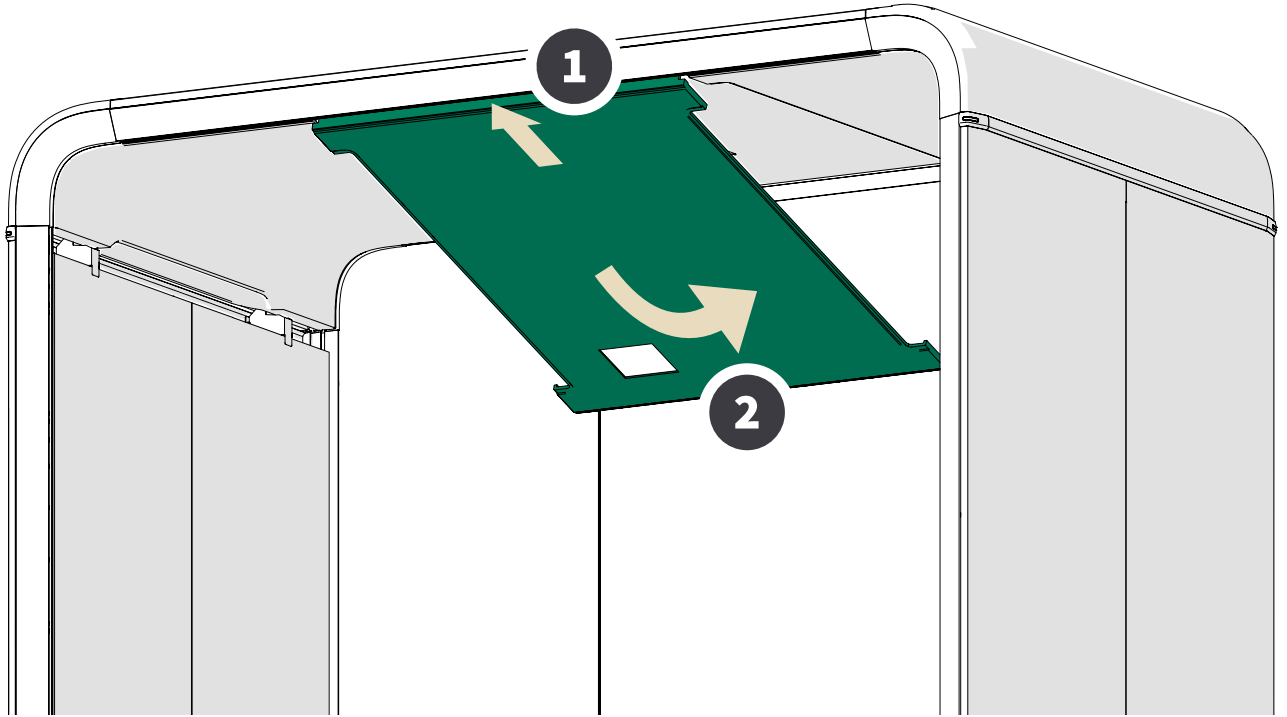
- Cut the ceiling interior panel along the rectangular marking on the inner (white) side of the panel.



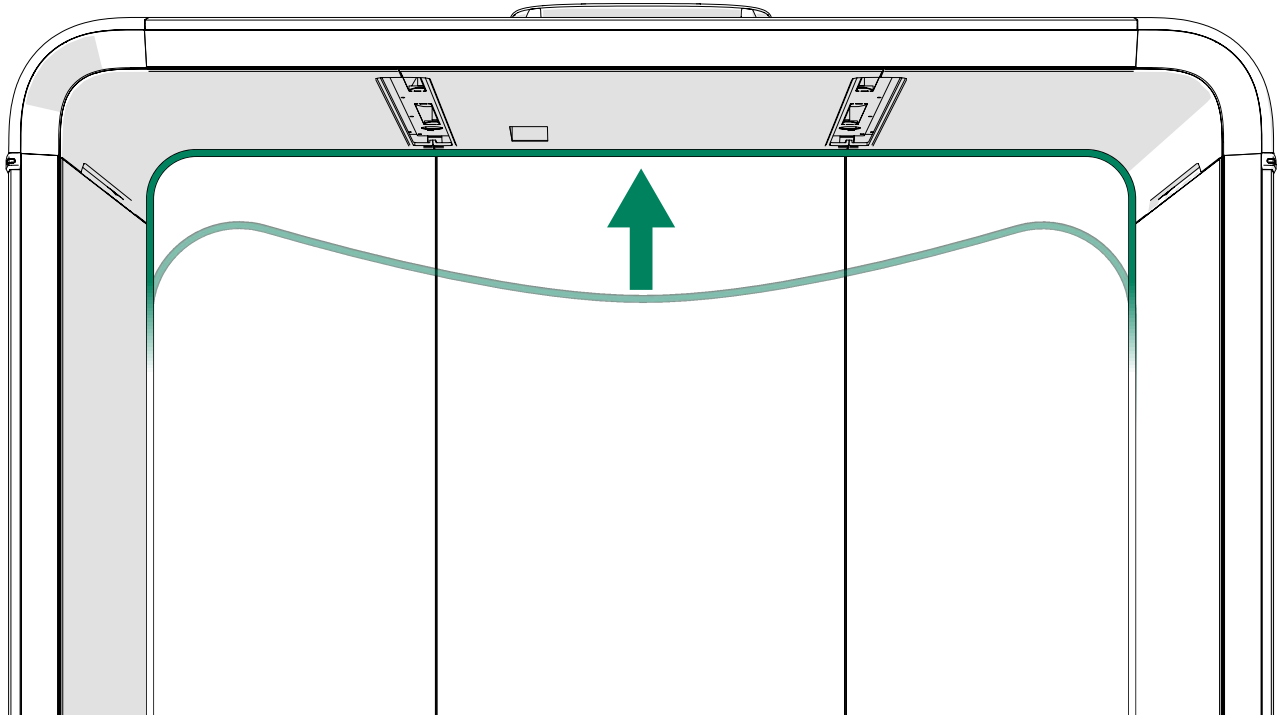
Make the final cuts from the outer (visible) side of the panel.



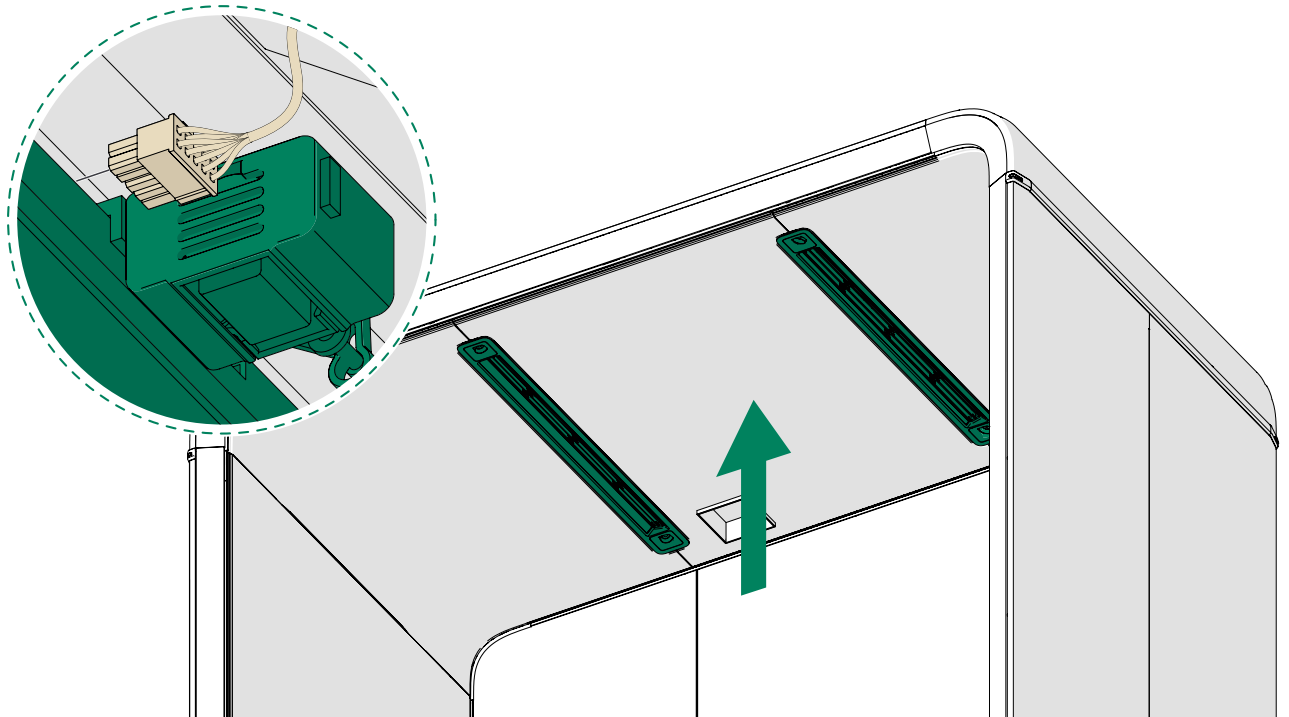
11.



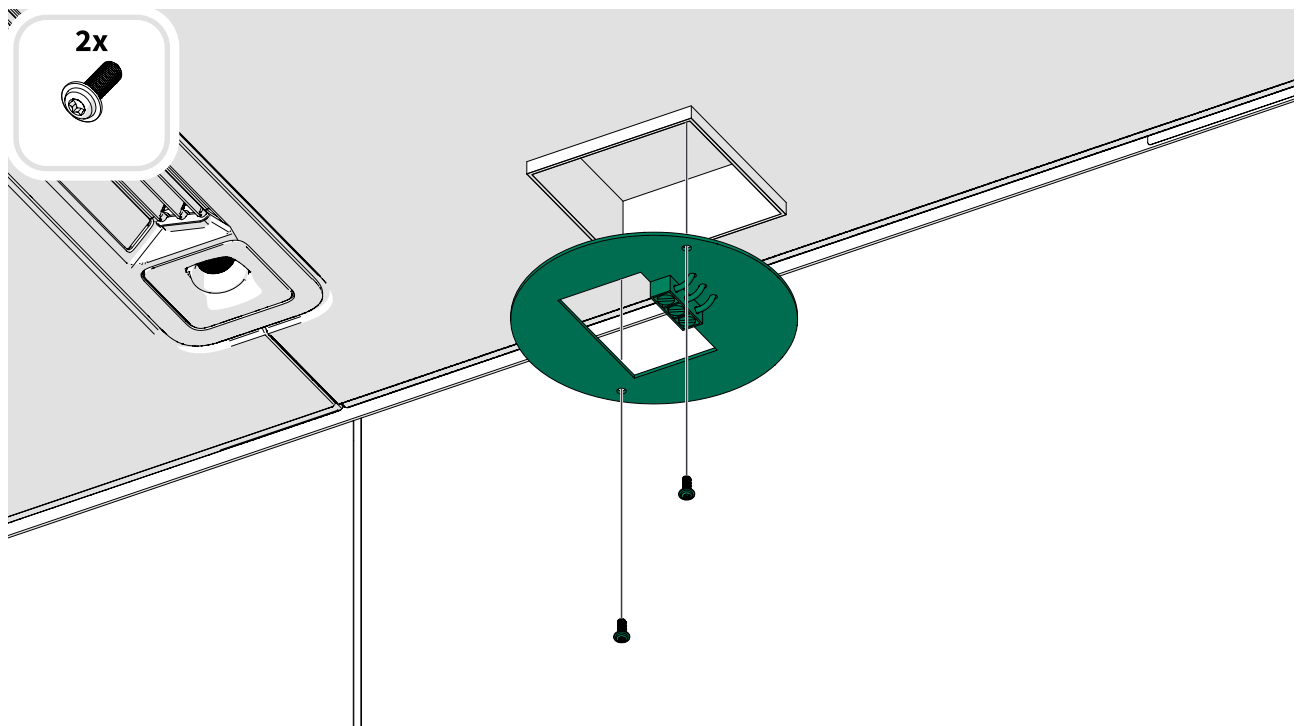
12.



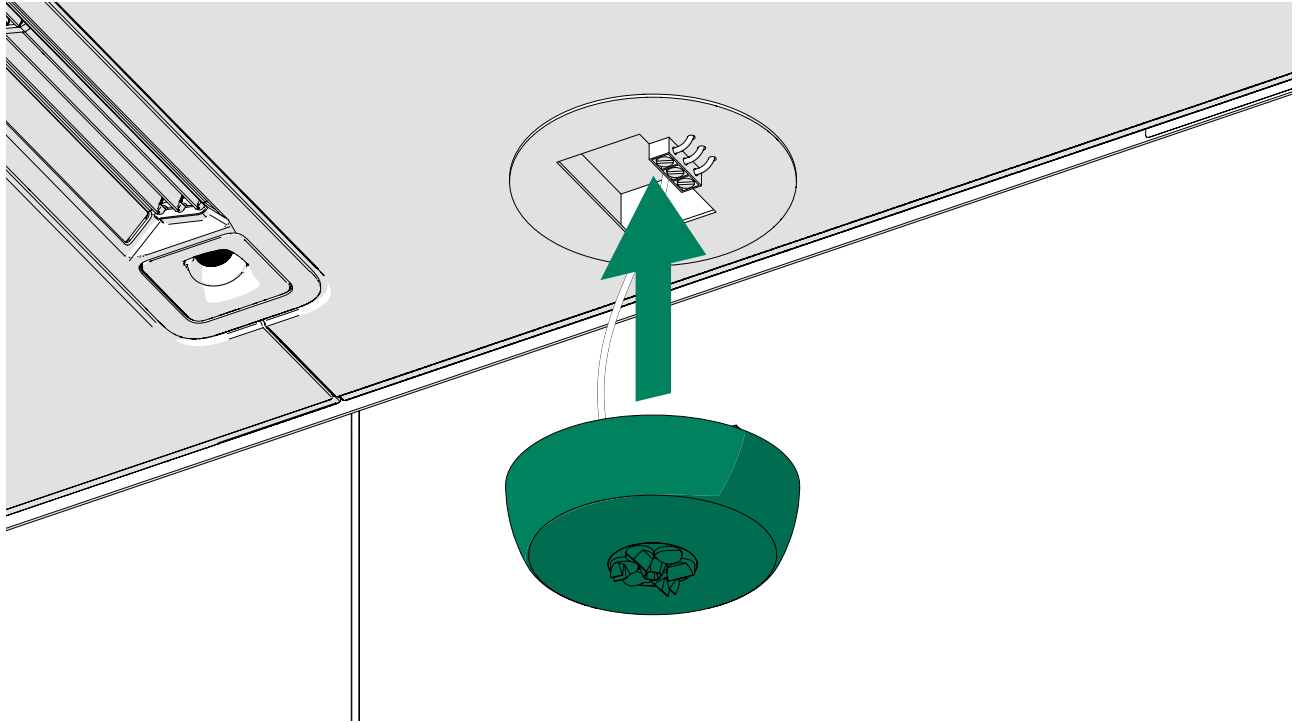
13.



14. Install the base of the fire alarm notification device to the junction box. Use the two Philips-head screws included in the opposite corners of the junction box.



15.

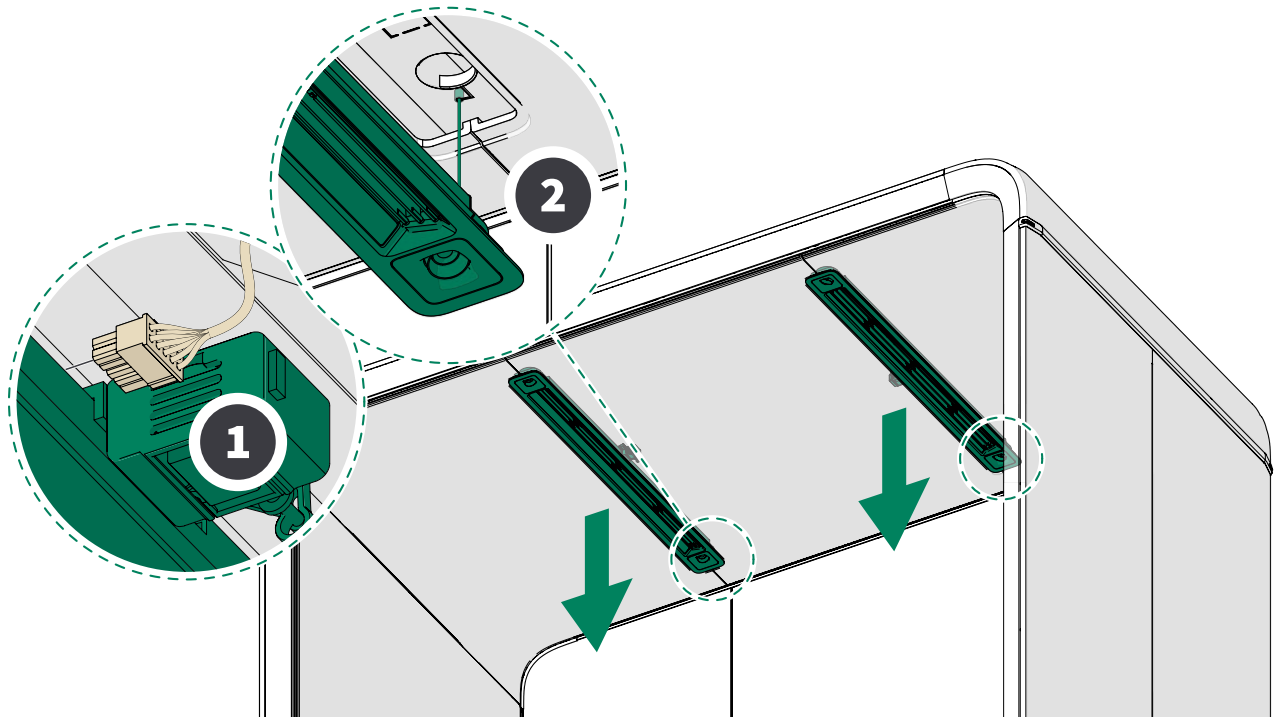


5 Install a fire suppression device (sprinkler / cease fire)

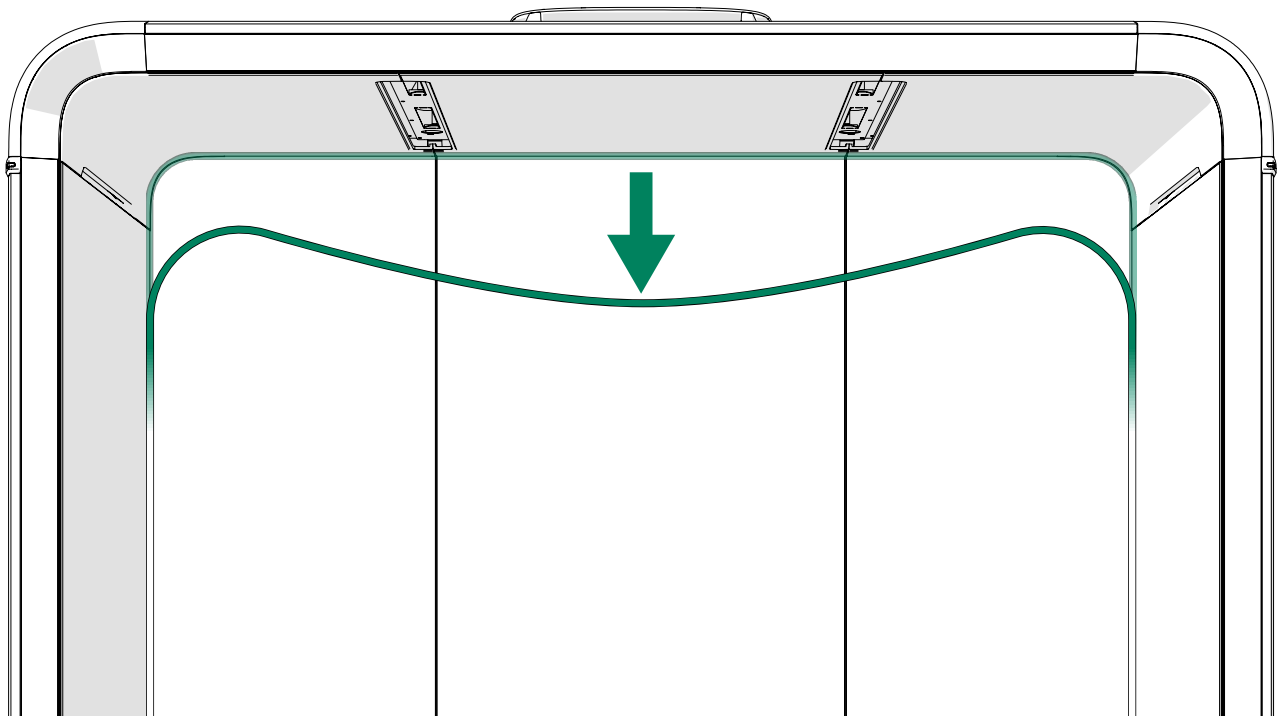


DANGER: Always disconnect the pod from the power outlet before you begin disassembly, maintenance, moving, or any other procedure.

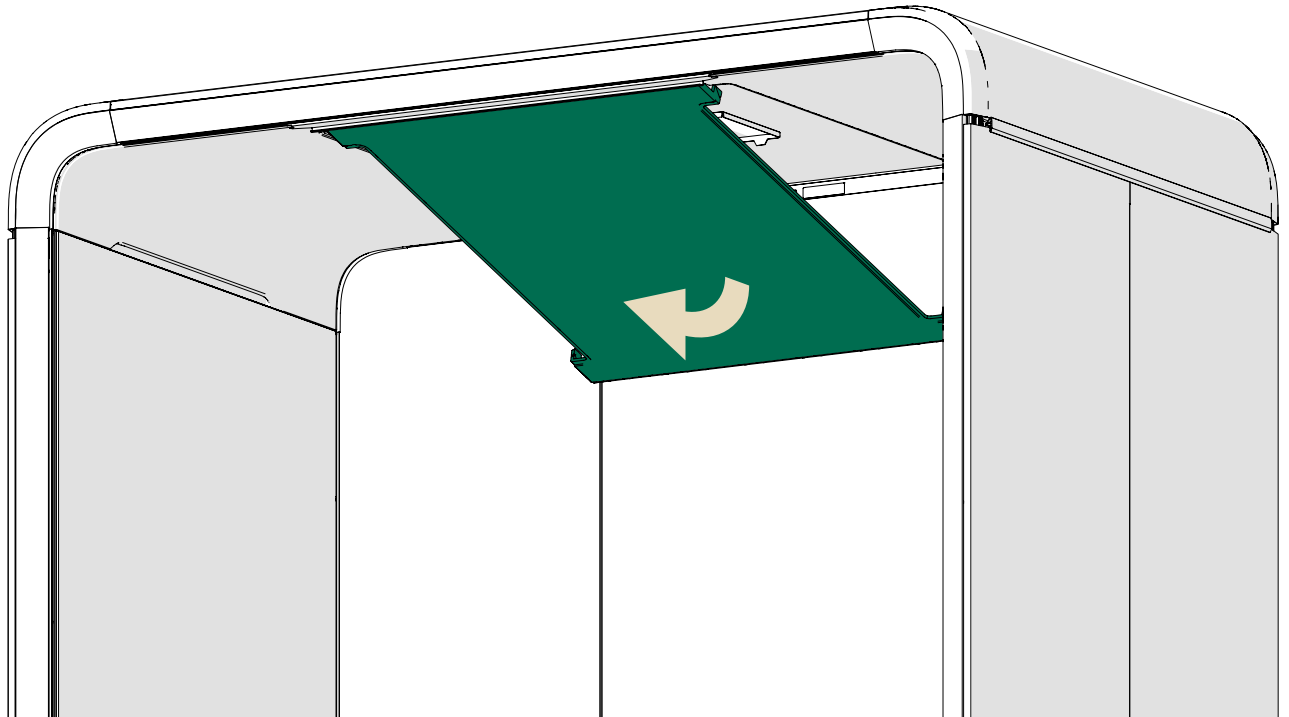
1.



2.



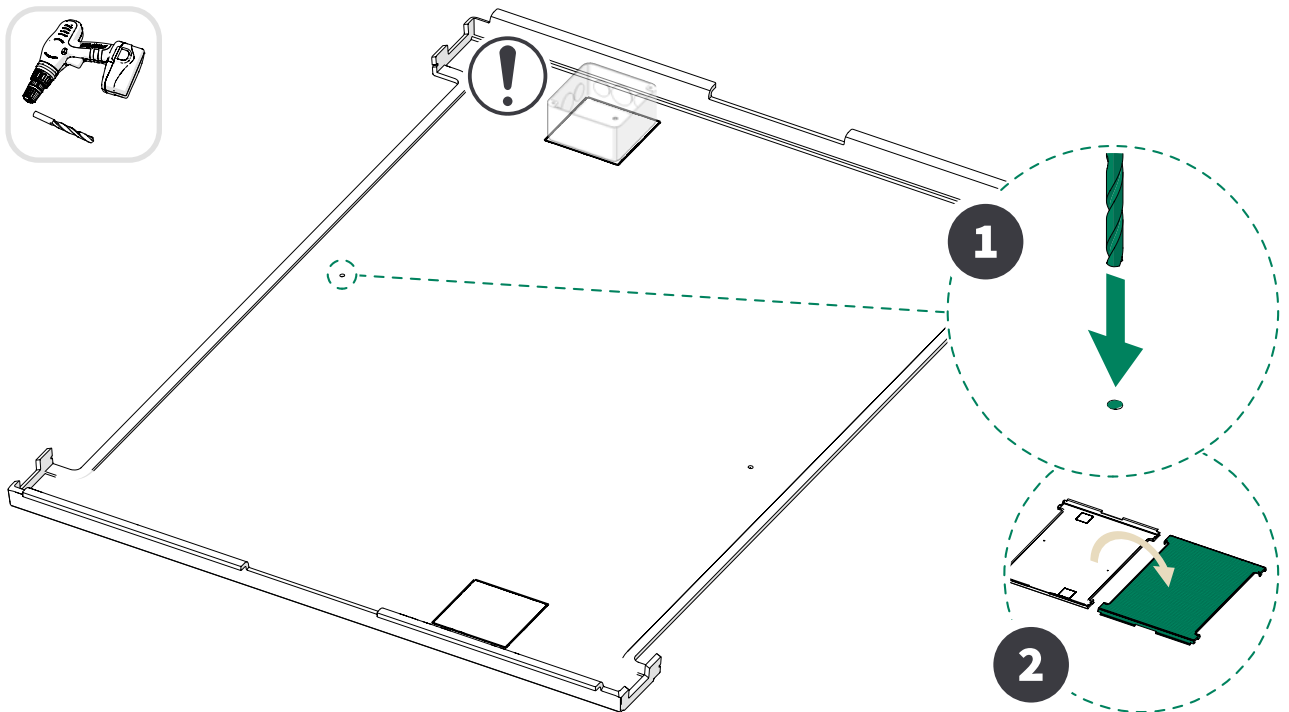
3.



4. Locate the embossed mark on the inner side of the ceiling interior panel. Drill a pilot hole through the panel. Flip the panel over.



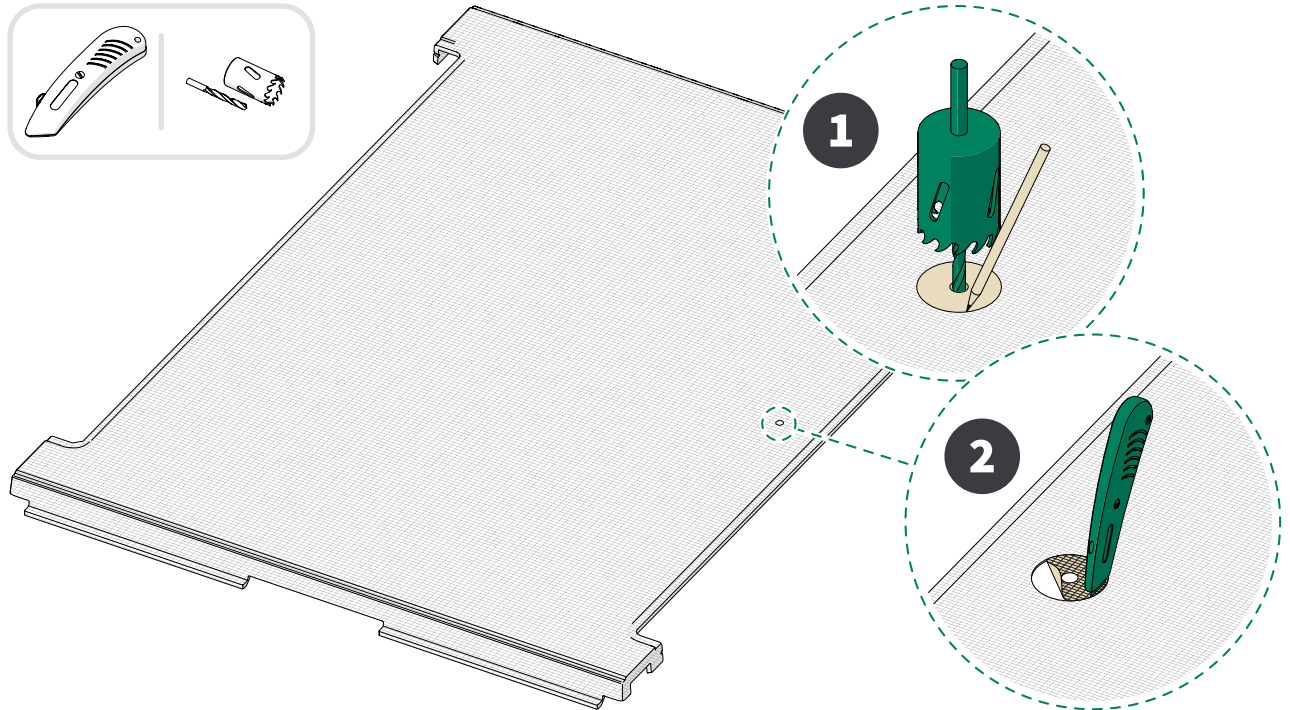
Note: Install the sprinkler / cease fire on the same side as the junction box.



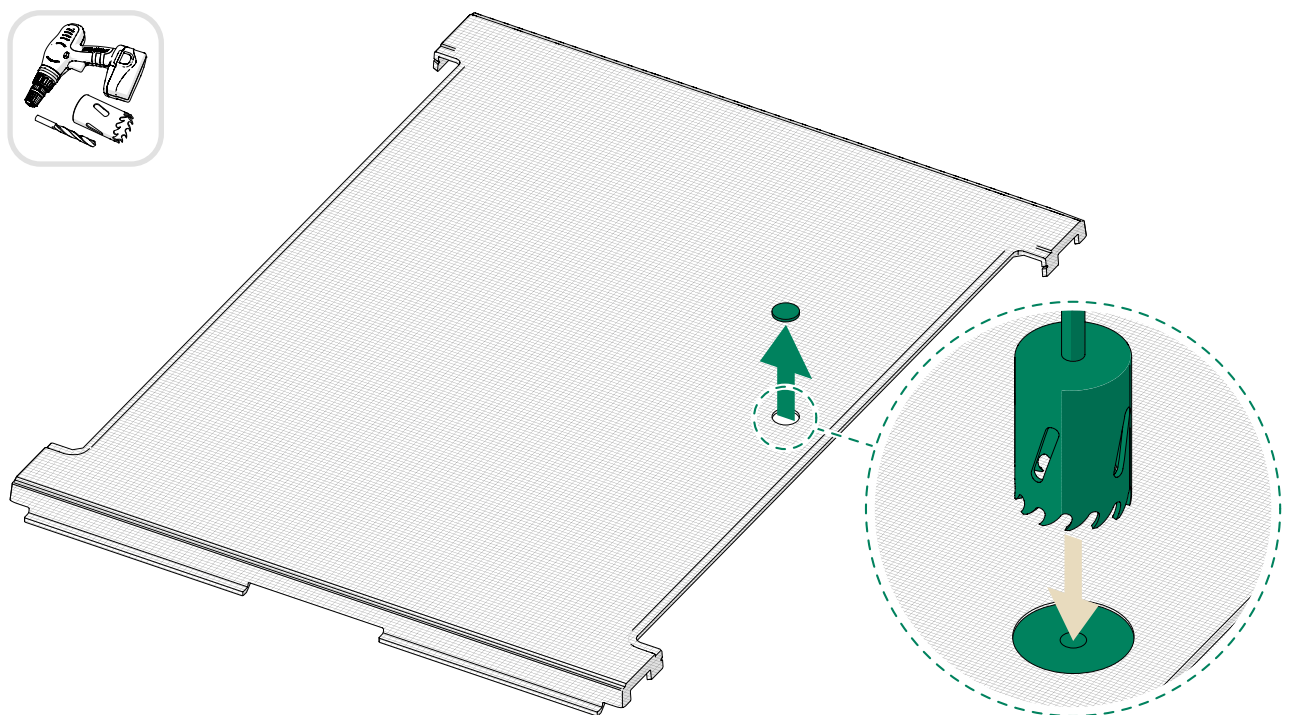
- With the fabric side of the panel facing upwards, locate the pilot hole and insert the pilot bit of the hole saw into the hole. Trace a larger circle with a pencil using the hole saw as a guide. Use a utility knife to cut along the marked circle.

⚠ **Note:** You must cut the fabric using a utility knife. Using a hole saw on the fabric could damage the entire panel. Cut the fabric with a utility knife and remove the fabric before moving to the next step.

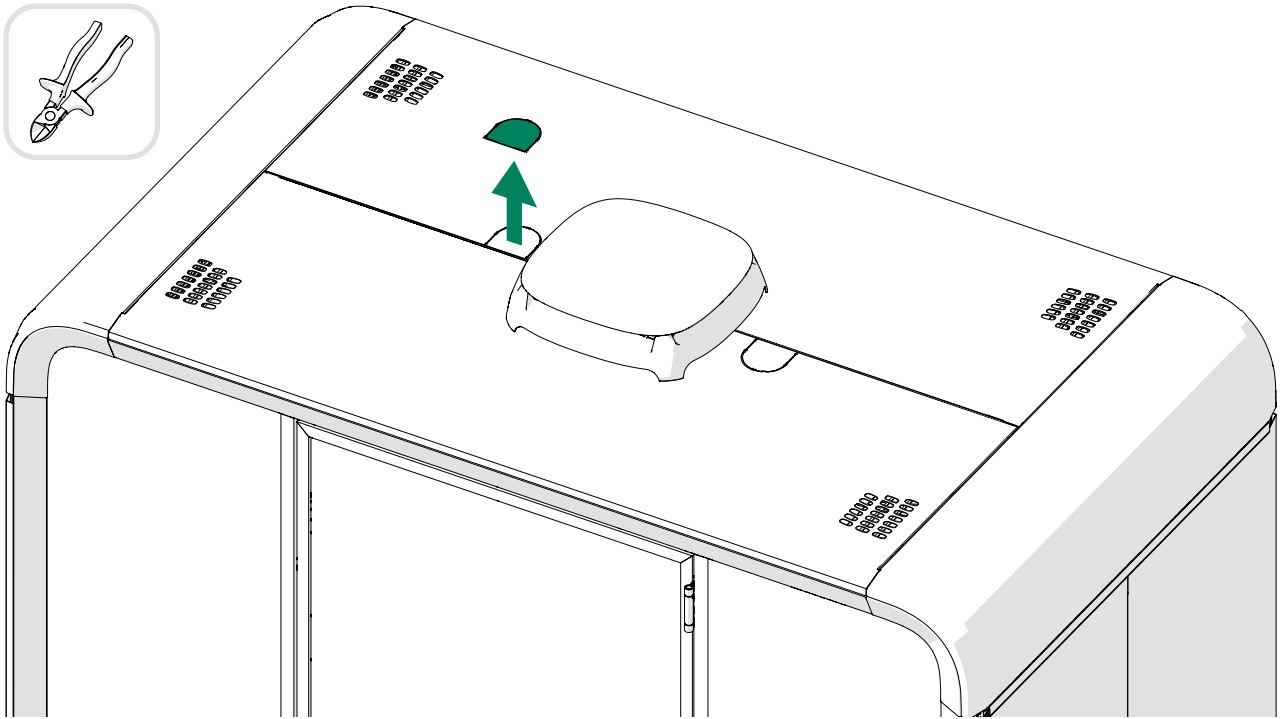
⚠ **Note:** Cut a hole to the ceiling interior panel according to the size of the sprinkler head.



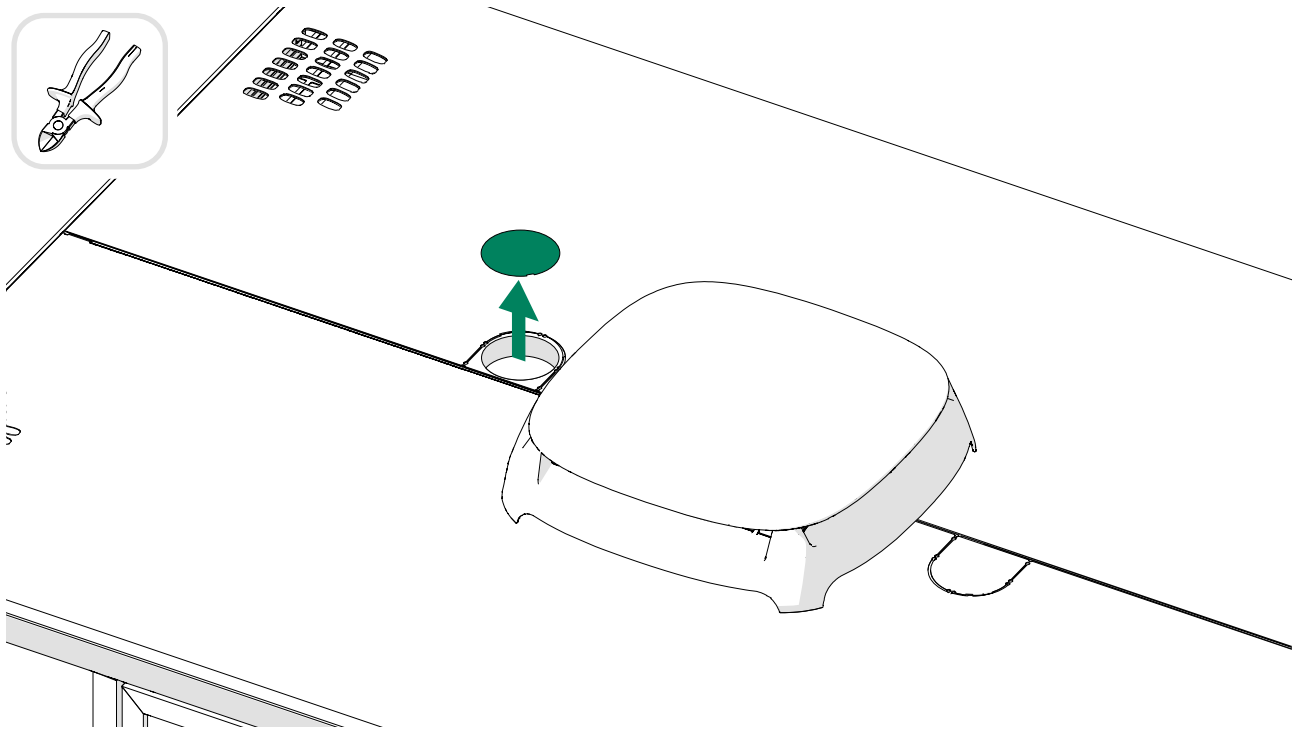
- Finish the cut through the PET felt backing using the hole saw.



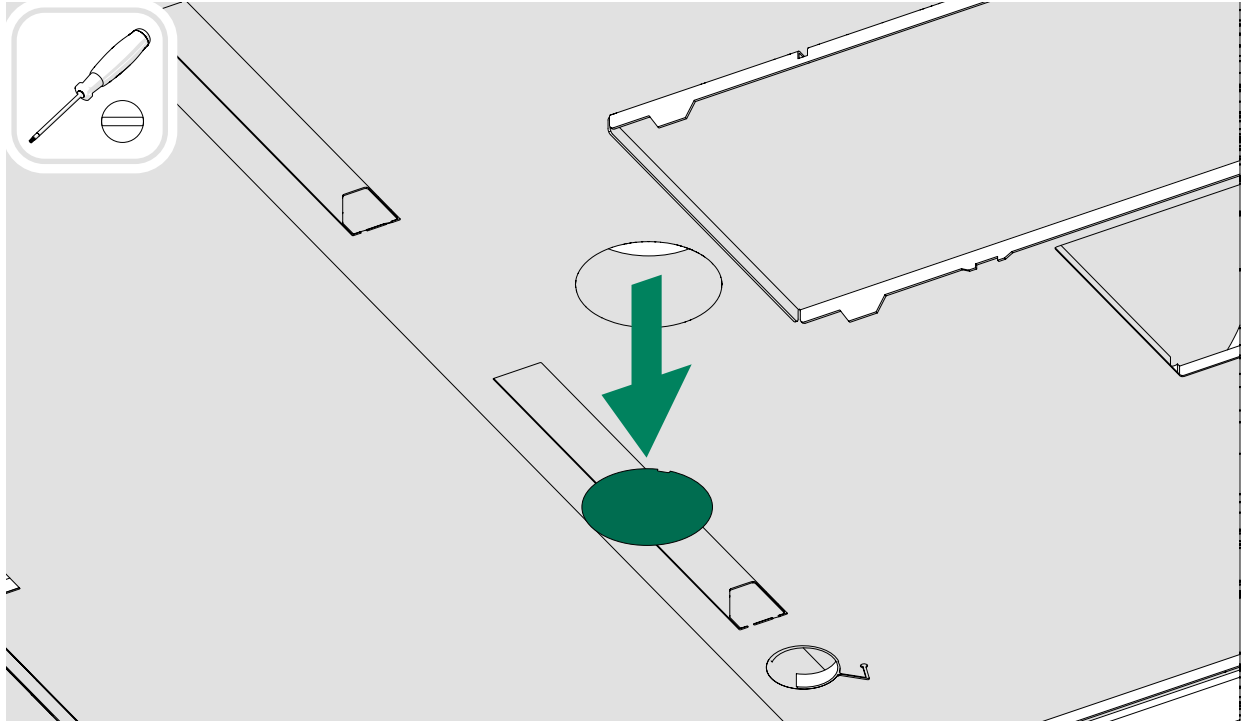
7.



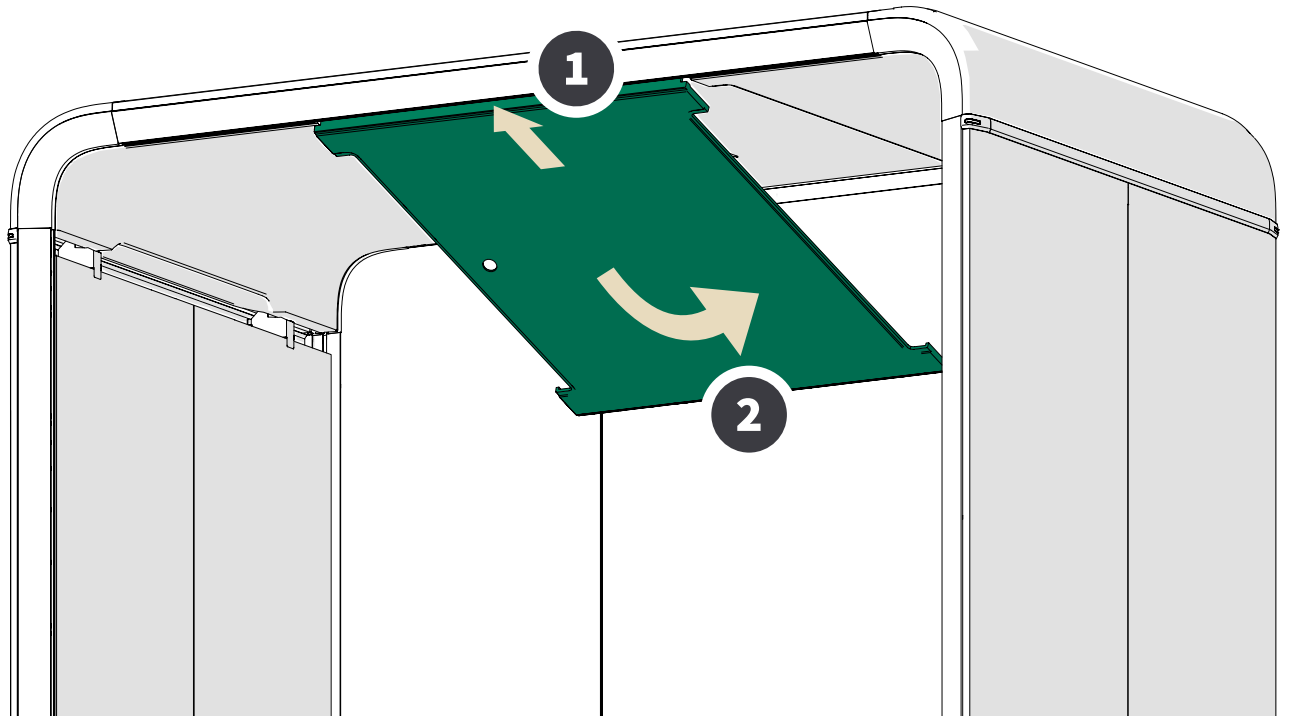
8.



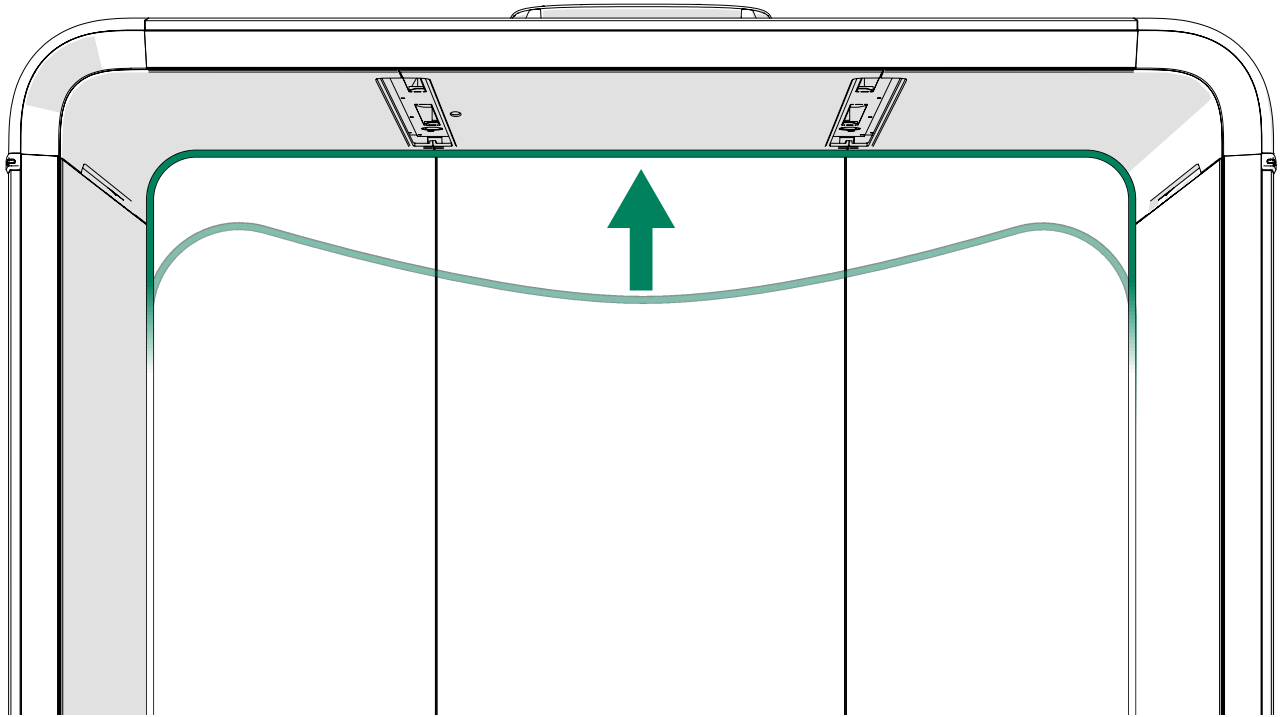
9.



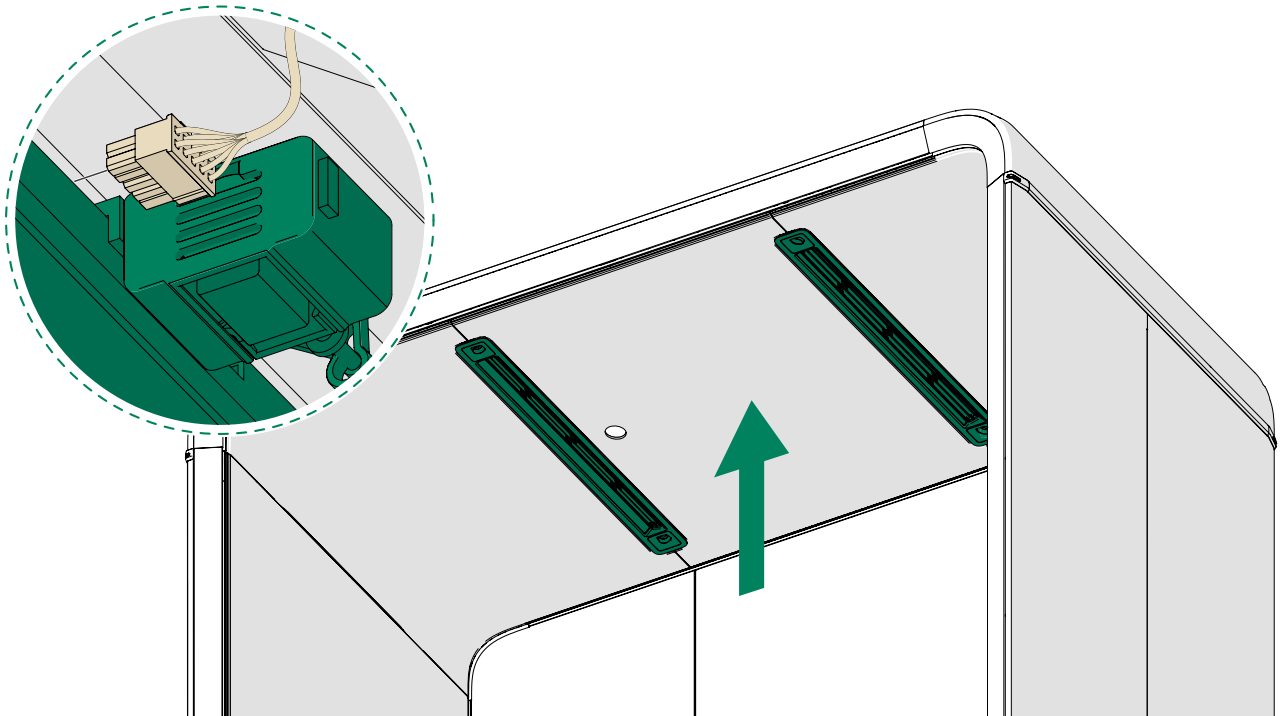
10.



11.



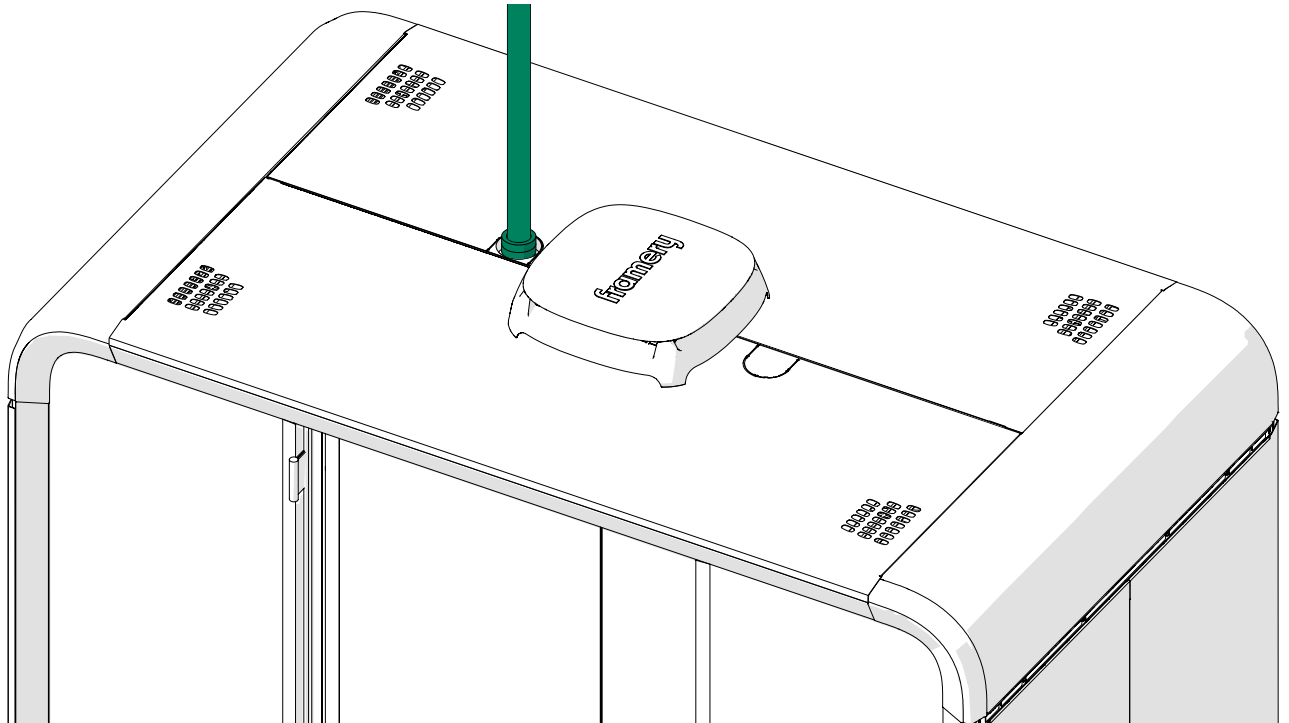
12.



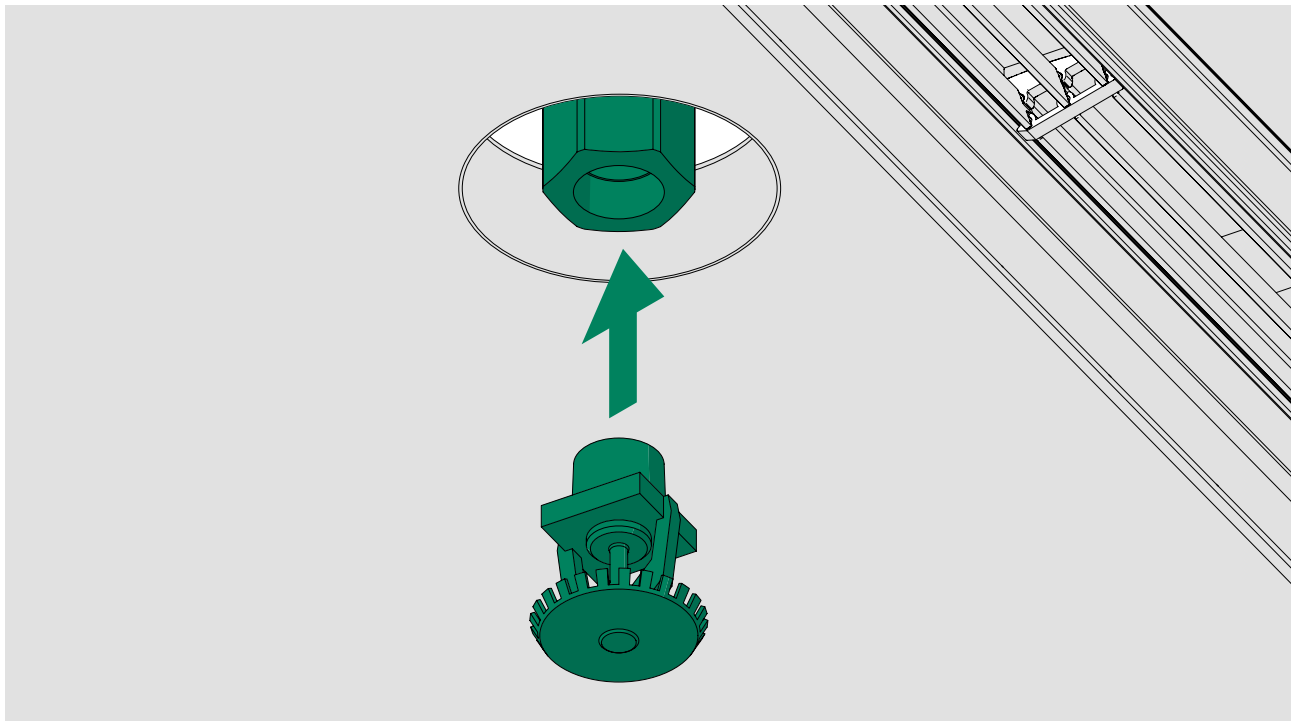
Note: If you are installing a sprinkler system, follow the steps in section 5.1. If you are installing a cease fire unit, follow the steps in section 5.2.

5.1 Install the sprinkler (hard pipe)

1. Bring the sprinkler hose through the roof.




2. Attach the sprinkler head to the sprinkler hose inside the pod.

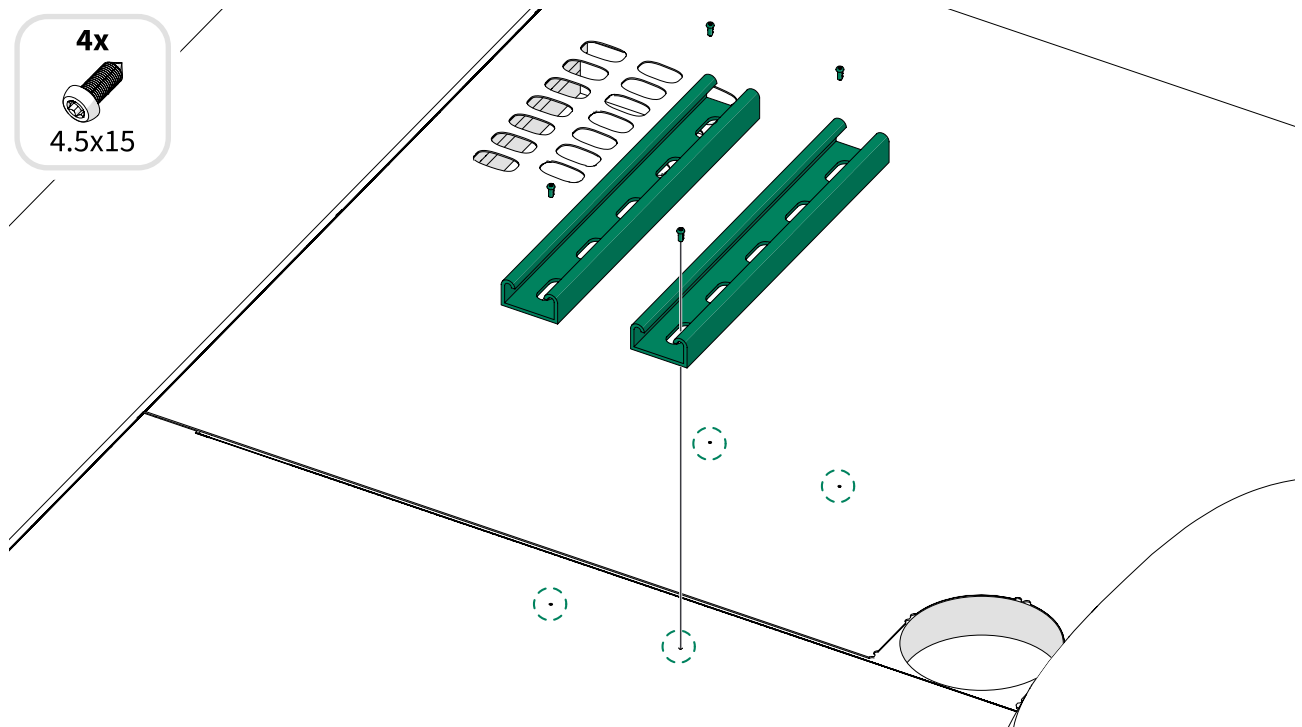


3. Guide the escutcheon (not provided by Framery) around the sprinkler head and attach it to the ceiling.

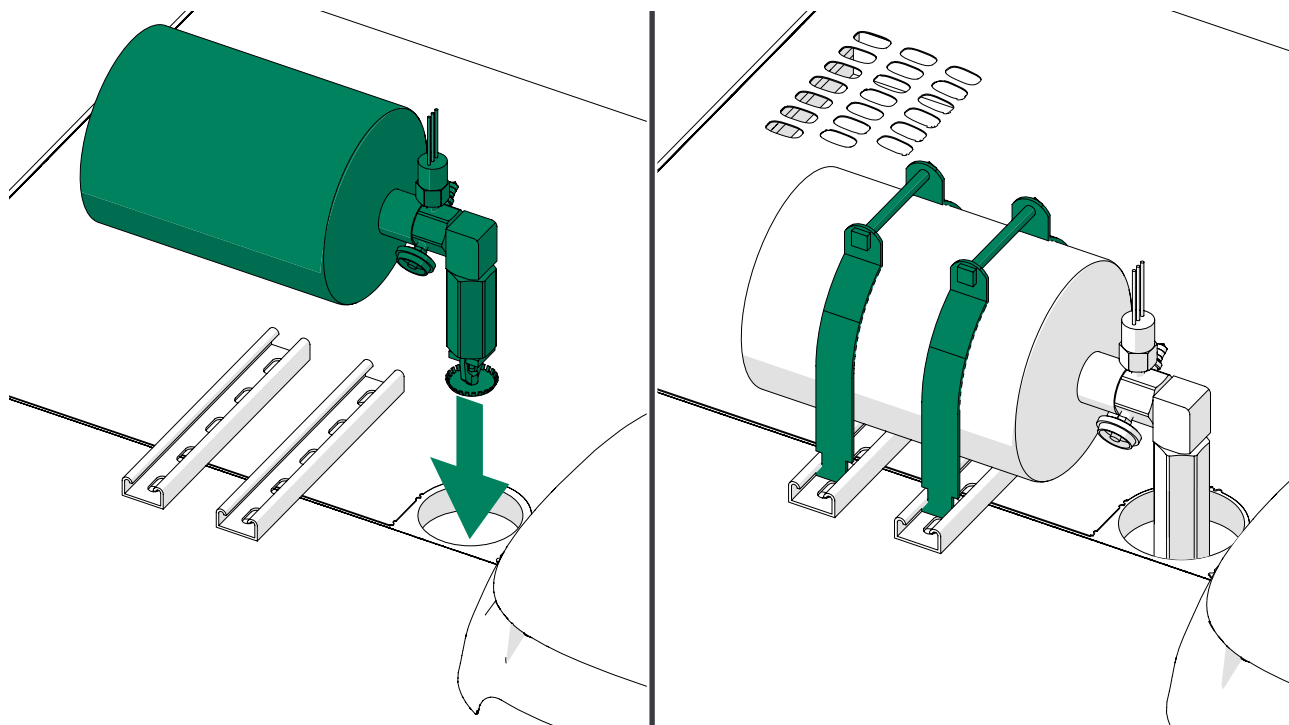


5.2 Install the cease fire

1.  **Note:** To avoid damaging the roof, do not use the screws that come with the cease fire package. Use shorter screws with a maximum length of 15 mm (0.6 in).

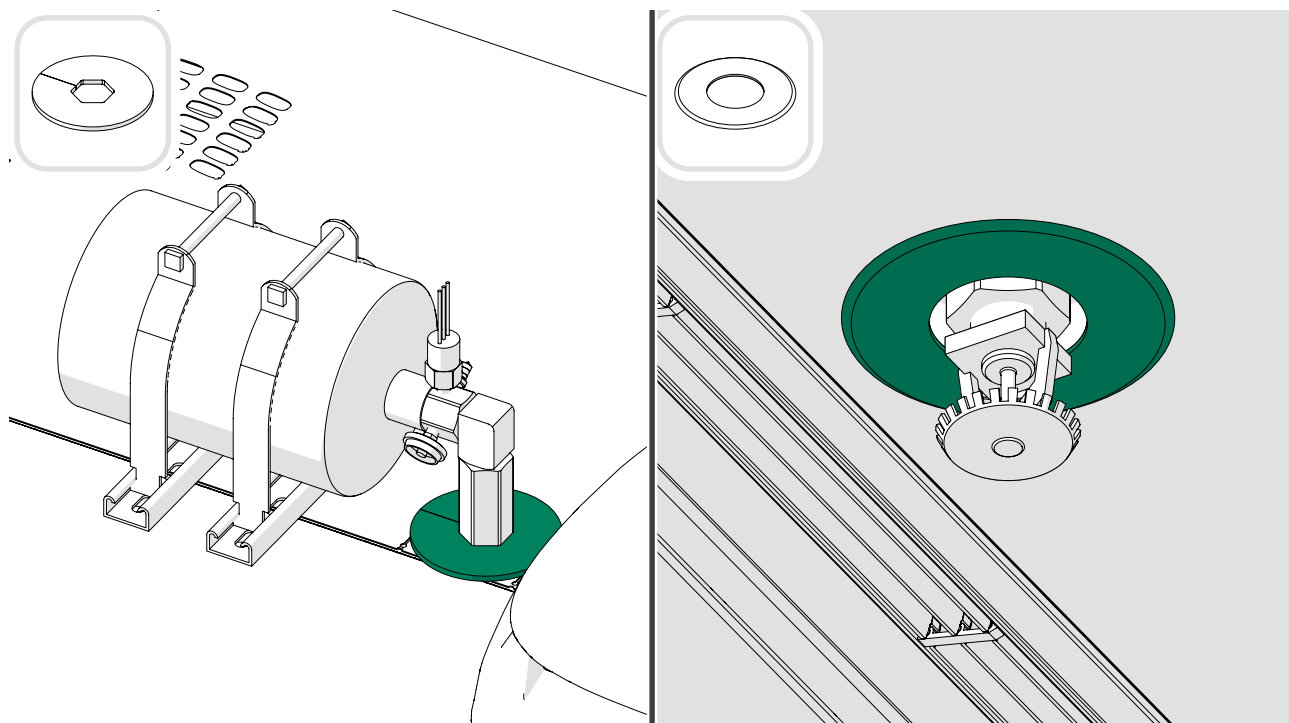


2.



3.

- ⚠ **Note:** Make a cut to the seal to be able to fit it in place around the sprinkler head. Peel off the backing paper of the seal before attaching it.
- ⚠ **Note:** Additional wires for the pressure switch (optional) do not need to be connected at this stage. Leave them as they are.



framery

Framery Four
Fire safety
Patamäenkatu 7
33900 Tampere
FINLAND
VAT: FI 23527139