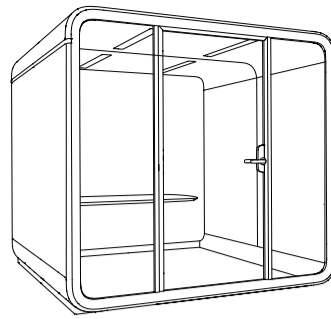


# Framery Six

## Quick Installation Guide

version H.1



INSTALLATION  
VIDEOS



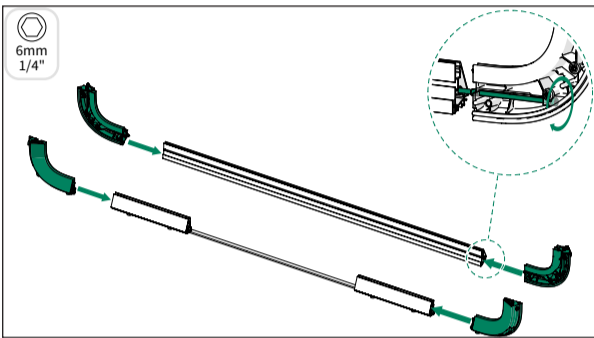
INSTALLATION  
INSTRUCTIONS

SCREWS AND BOLTS ARE IN THE FASTENERS AND ACCESSORIES 1 BOX.

INSTALLATION STEPS MARKED WITH THIS SYMBOL ARE OPTIONAL.

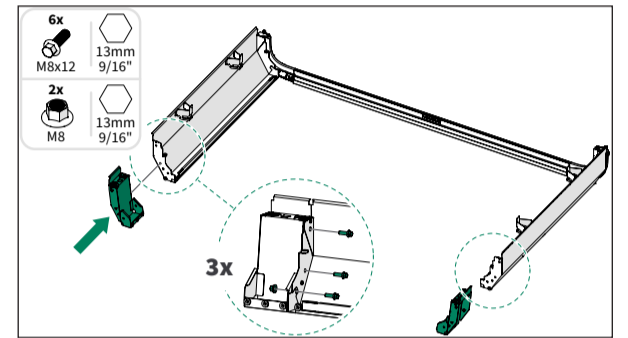
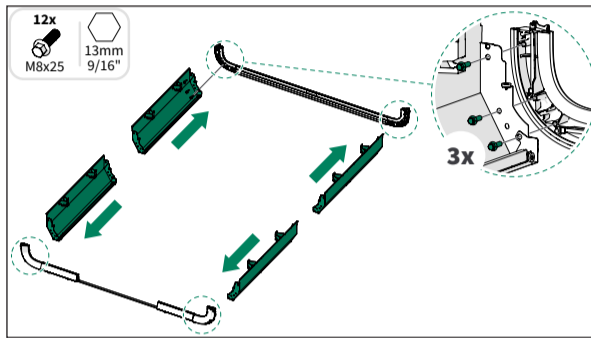
### 1. CHASSIS

#### 1.1 Front frame 1.2 Back frame

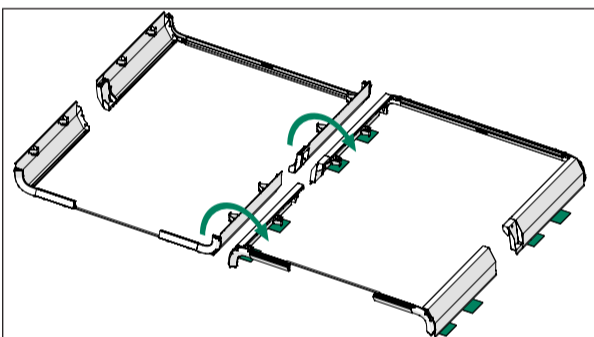


Make sure that the bolts are properly tightened.

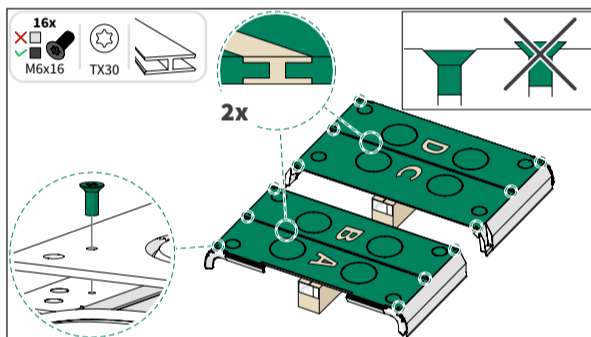
#### 1.3 Bottom corners & floor extensions



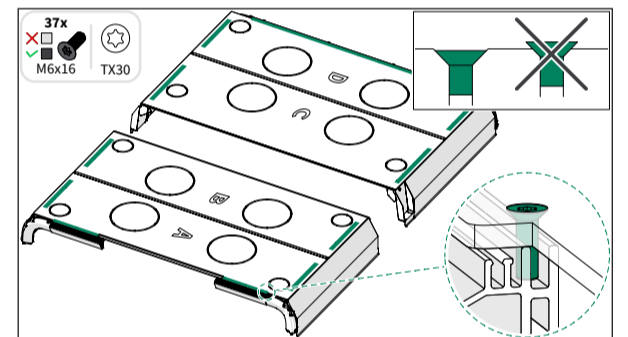
#### 1.4 Floor boards



Place a carpet on the floor before flipping the bottom frame to protect the floor from scratches.

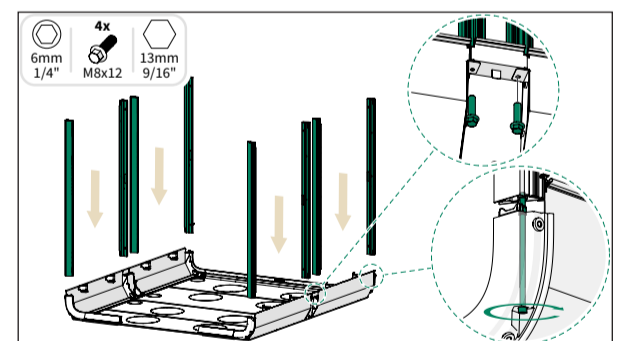
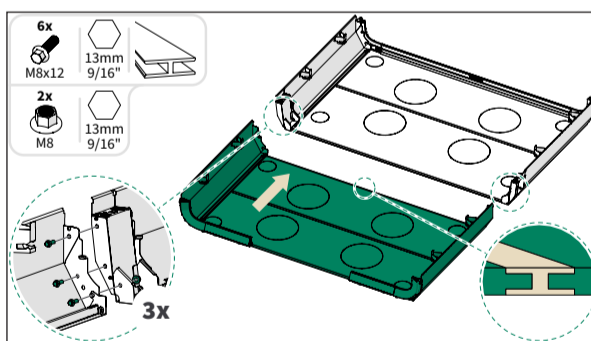
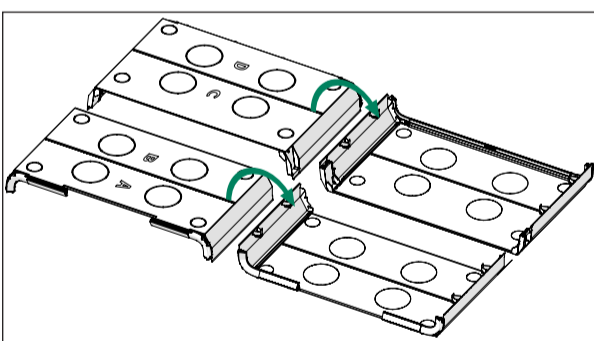


Place the corner frame boxes under the floor boards to avoid bending the boards.



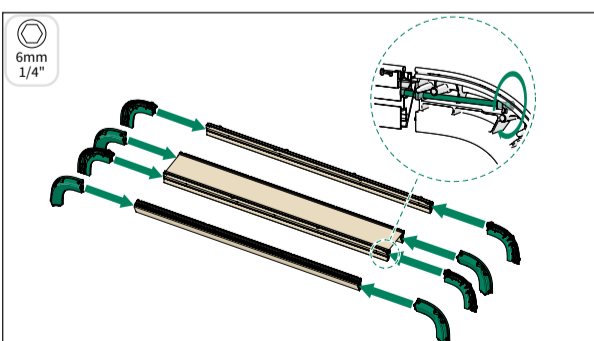
Make sure that the screw heads are level with the floor boards.

#### 1.5 Vertical frames

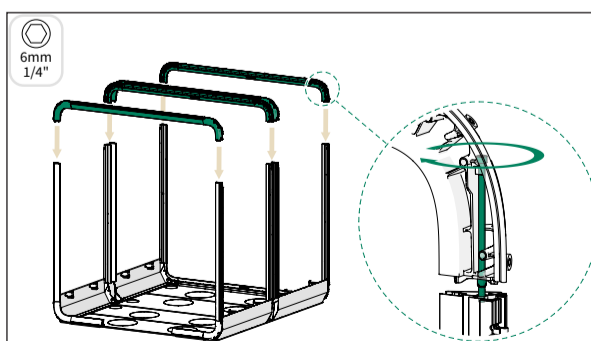


Make sure that the bolts are properly tightened.

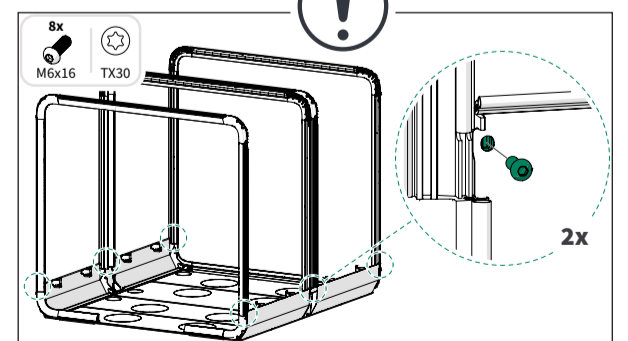
#### 1.6 Horizontal frames & middle frame



Make sure that the bolts are properly tightened.

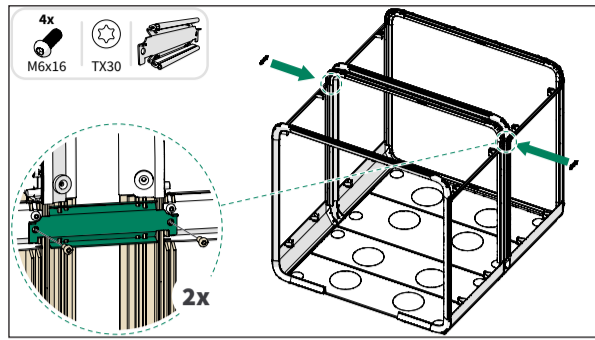
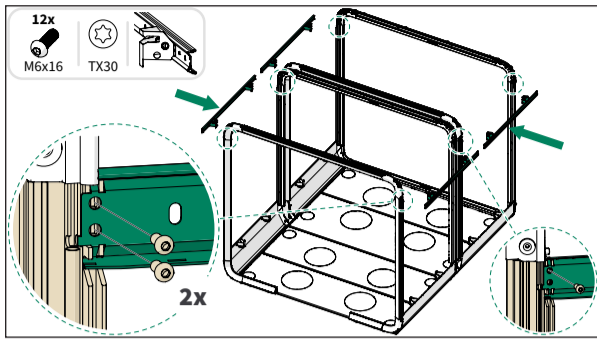


Make sure that the bolts are properly tightened.

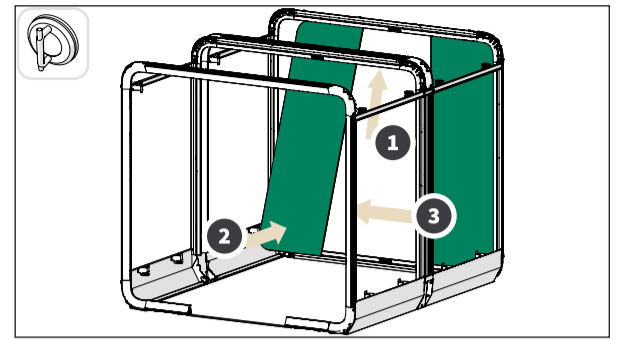


# 1. CHASSIS

## 1.7 Horizontal supports

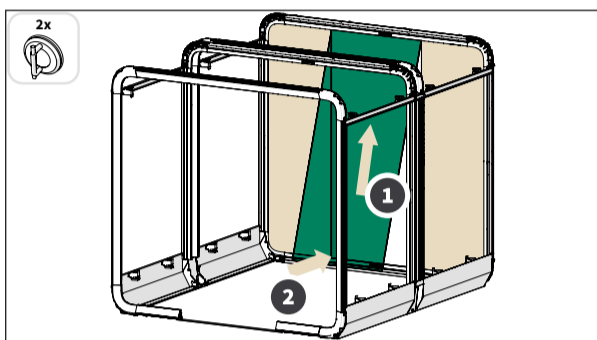


## 1.8 Back glasses

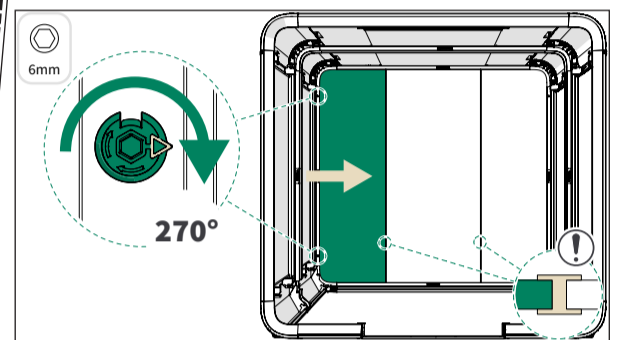
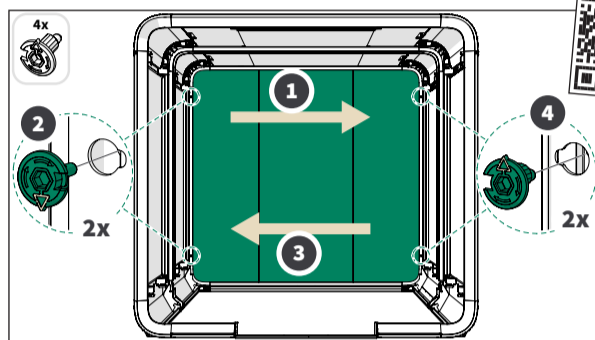


⚠ Handle glasses with care. Do not slide the glasses with force against the vertical frame.

## Tighten the screws of the back glass wall

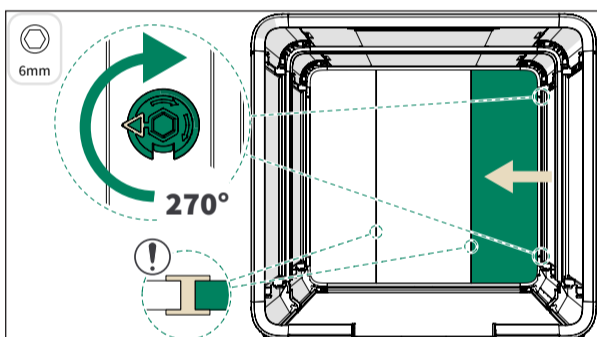


⚠ Gently push all the glasses against the outer edge of the frame groove before tightening them with the glass locking pins.

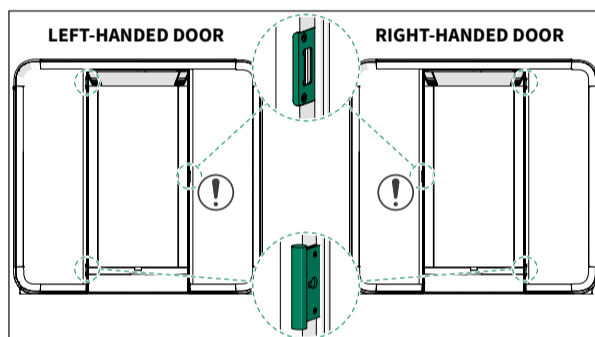


⚠ Make sure that the glasses form a flat and even surface with no gaps or thresholds between the glasses.

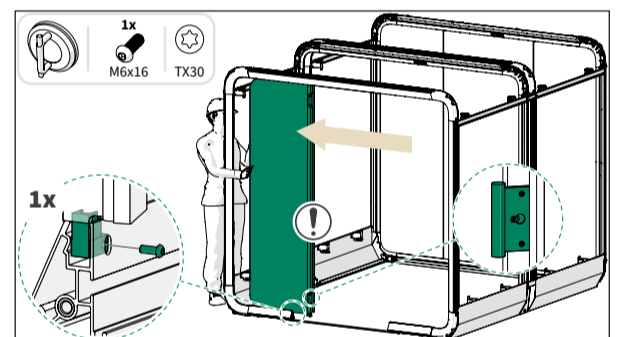
## 1.9 Front glasses



⚠ Make sure that the glasses form a flat and even surface with no gaps or thresholds between the glasses.

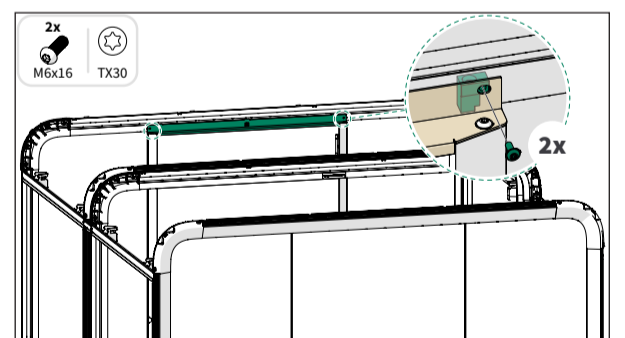
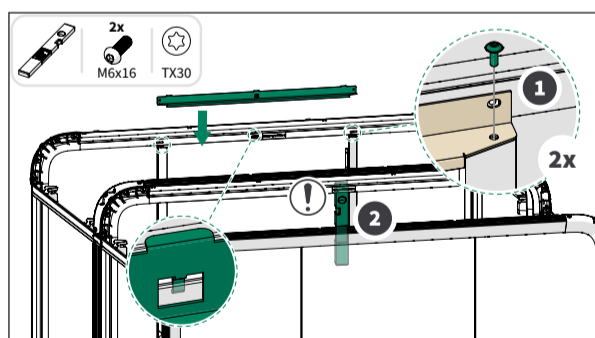
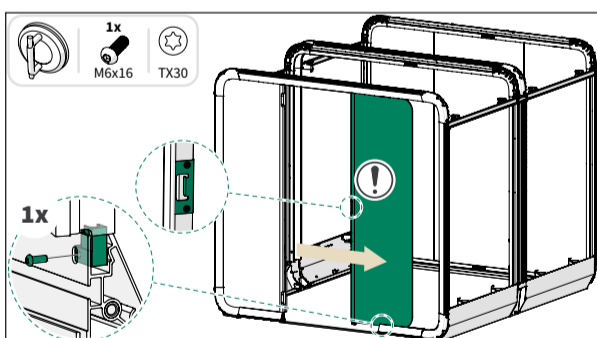


⚠ The orientation of the front glasses determines the door handedness.



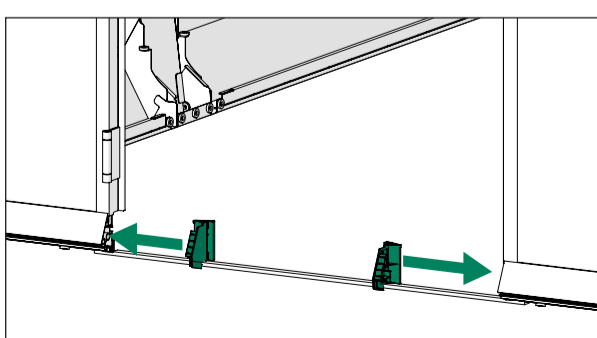
⚠ The glasses can slide out of the pod frame. Hold each glass in place until they are secured with screws.

## 1.10 Ceiling threshold



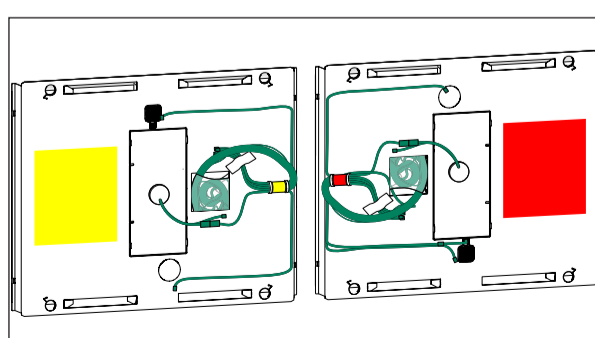
⚠ Check the straightness of the front glasses with a spirit level before fully tightening the screws of the ceiling threshold.

## End plugs

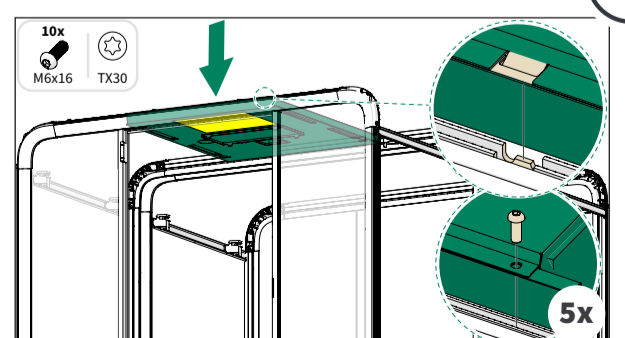


⚠ Use a rubber mallet to install the plugs.

## 1.11 Inlet modules



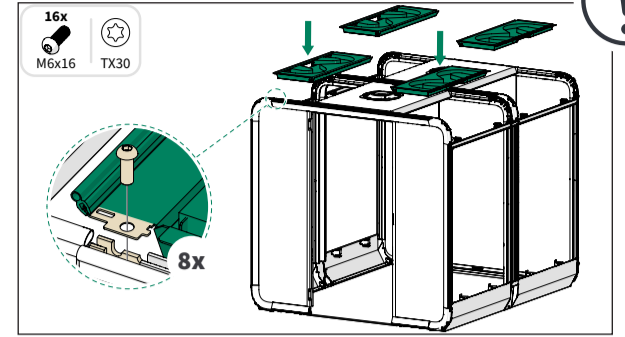
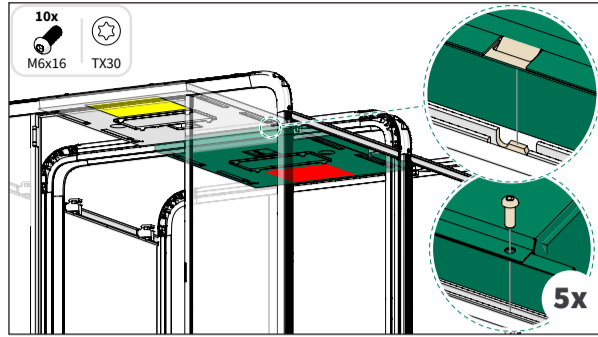
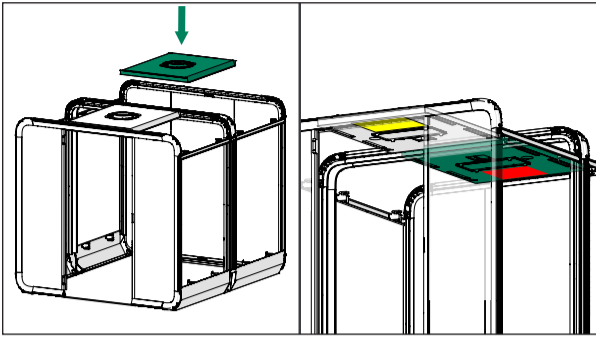
⚠ The module labeled as yellow goes to the front of the pod.



⚠ Make sure that the inlet modules lock into place on the frames.

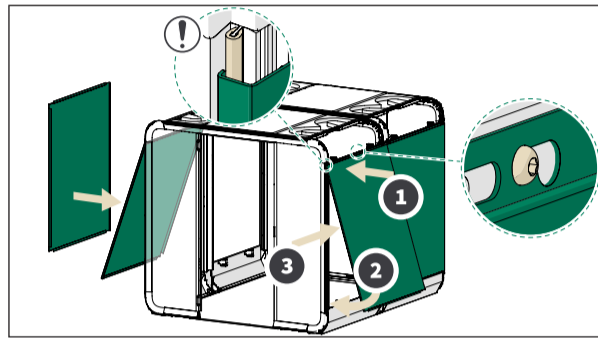
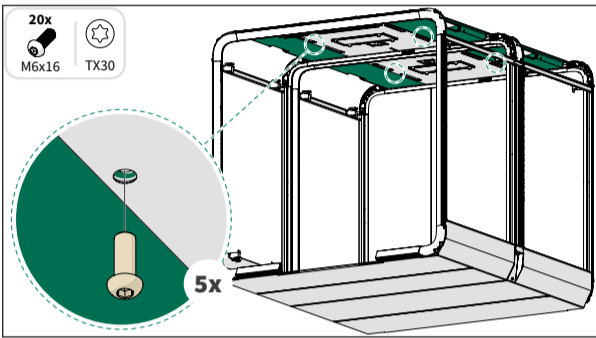
# 1. CHASSIS

## 1.12 Outlet modules

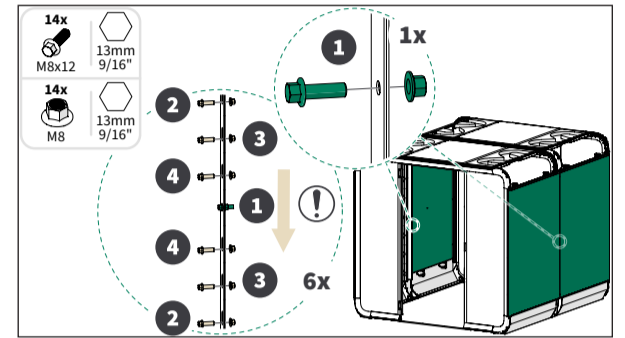


! Make sure that the outlet modules lock into place on the frames.

## 1.13 Wall exterior panels

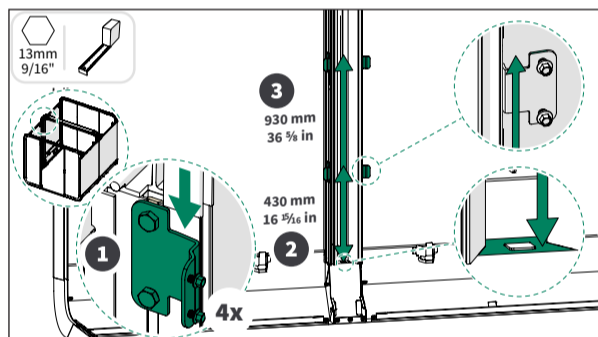
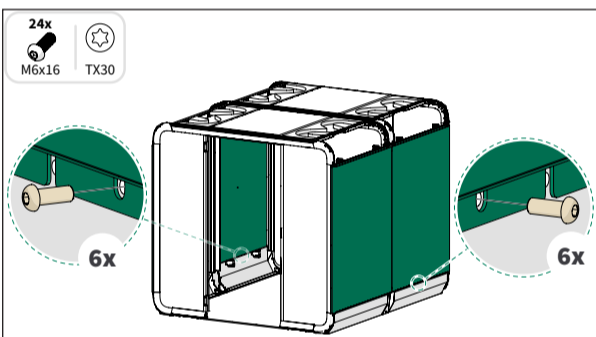


! Lifting the wall exterior panels requires two persons.



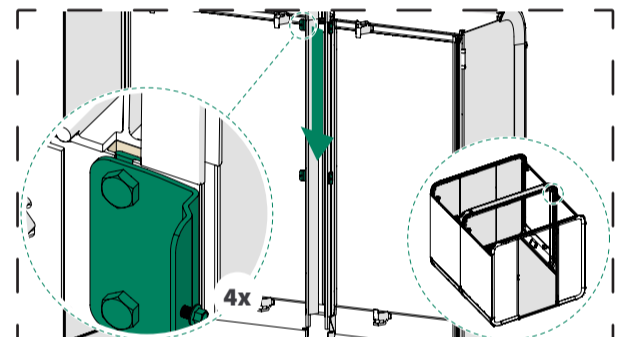
! Before you tighten the bolts, make sure that the panel cuts surround the pin.

## 1.14 Universal brackets for the table and monitor wall mount



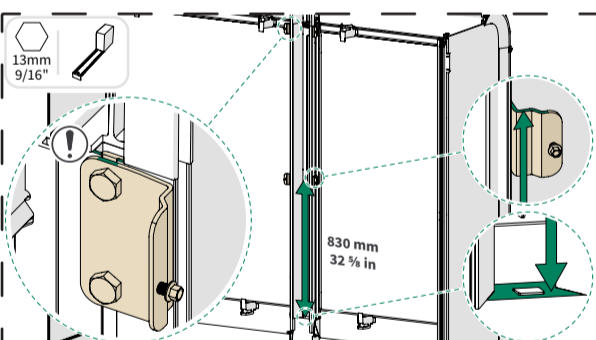
! The universal brackets are in the table mount box and monitor wall mount box.

## + Brackets for whiteboard, optional

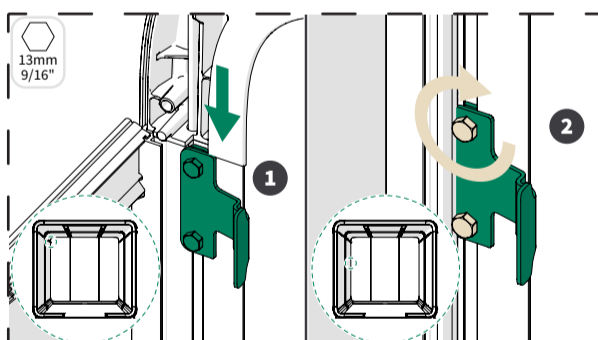


! The brackets for the optional whiteboard are in the whiteboard box.

## + Coat hooks, optional

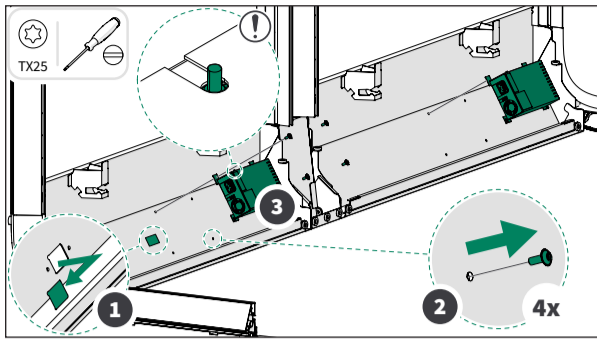


! Make sure that the bracket pairs are on the same level.

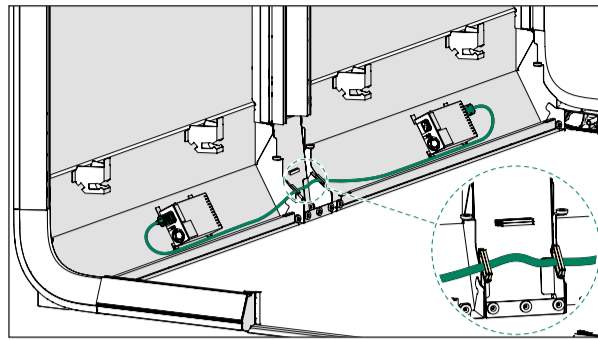


## 2. ELECTRICS

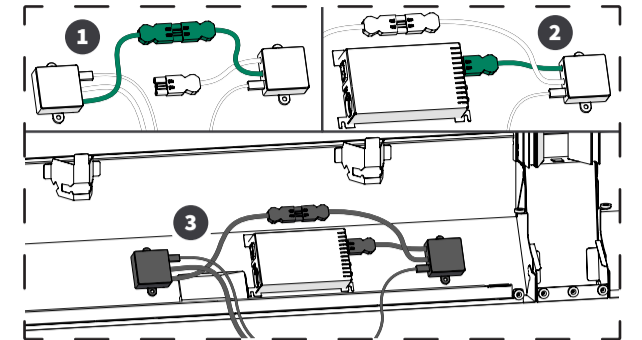
### 2.1 Power units



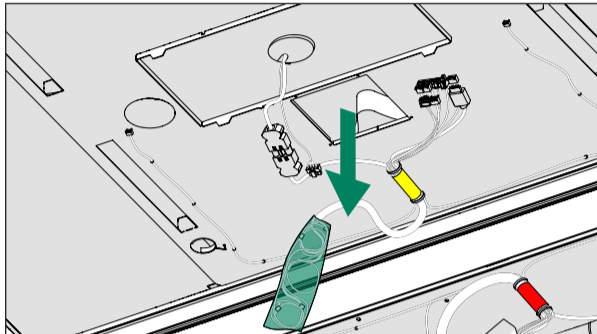
⚠ The table must be installed to the same side as the power units.



### + USB-C modules, optional

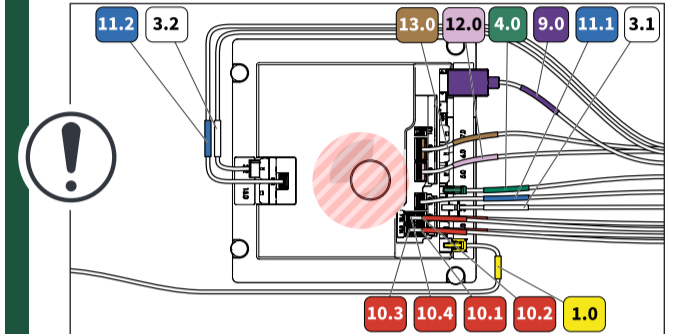


### 2.2 Core unit



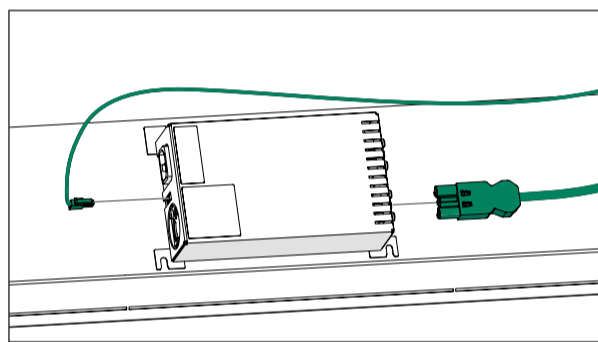
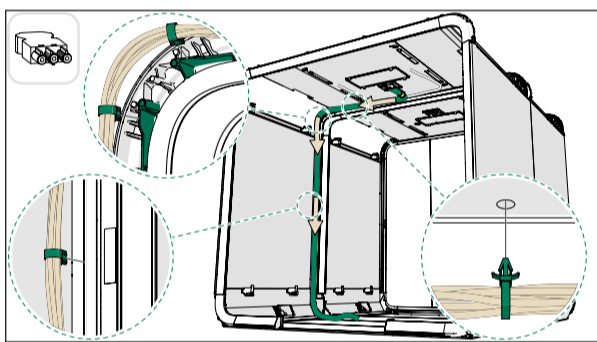
⚠ The core unit is installed to the front of the pod.

### Make the electrical connections

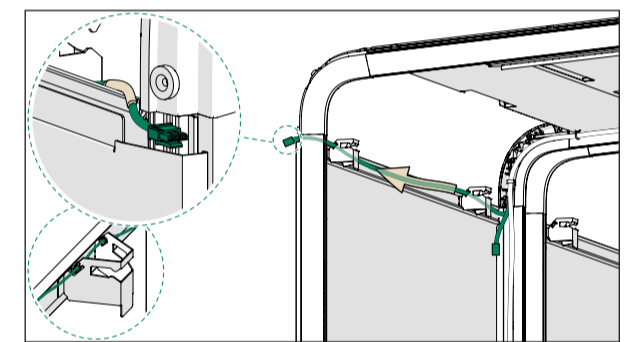


⚠ Do not cover the core unit with anything. Route all cables around it.

### 2.3 Core wiring harness

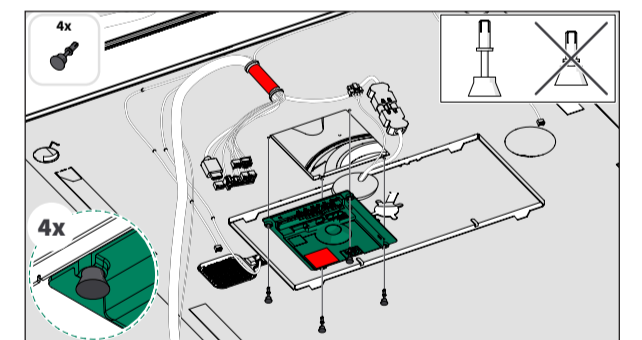
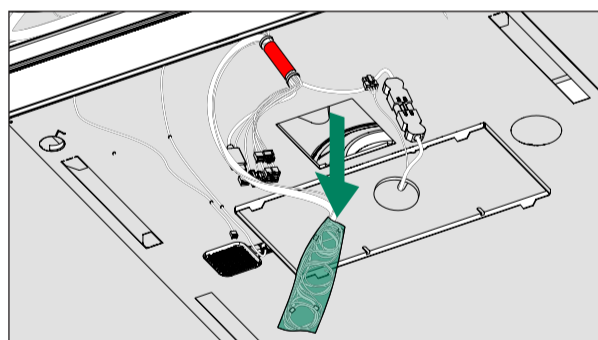
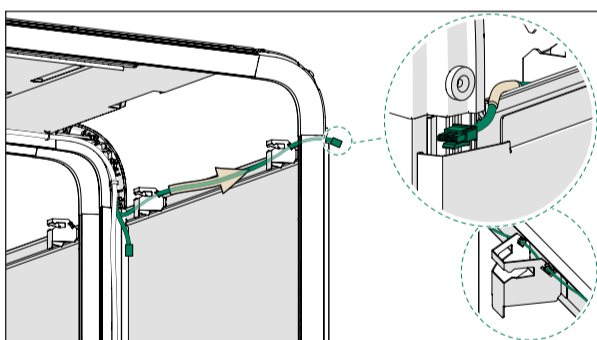


### Occupancy light cables



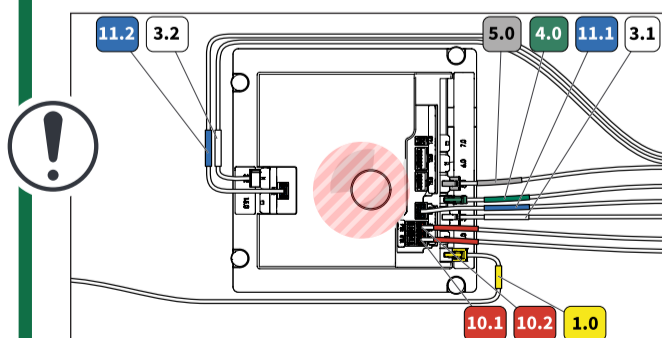
⚠ The wiring harness has two extra occupancy light cables. Leave them inside the pod in the middle.

### 2.4 Radar unit



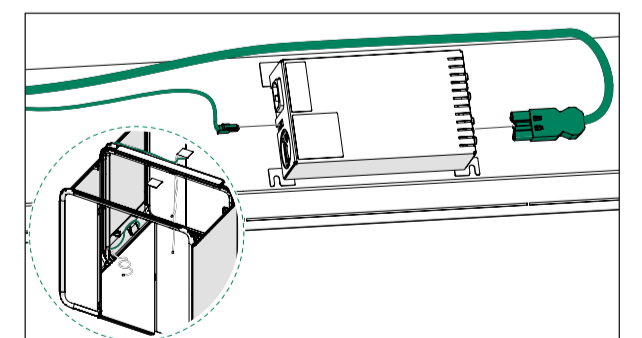
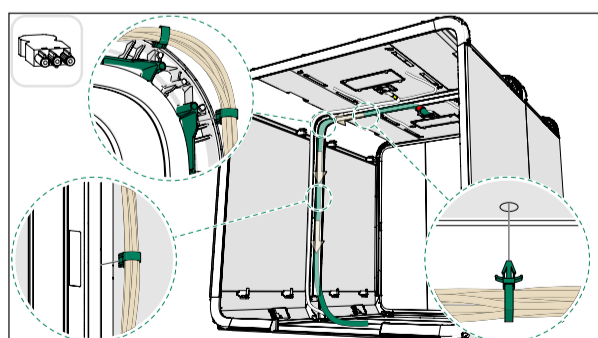
⚠ The radar unit is installed to the back of the pod.

### Make the electrical connections



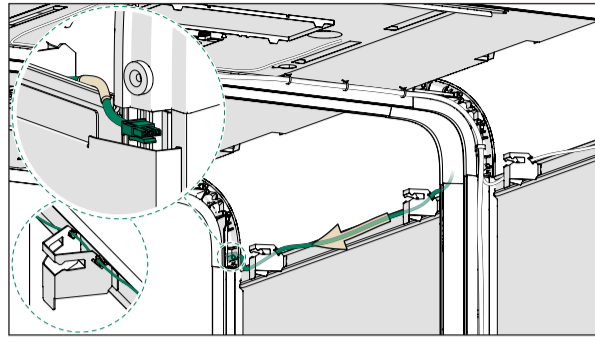
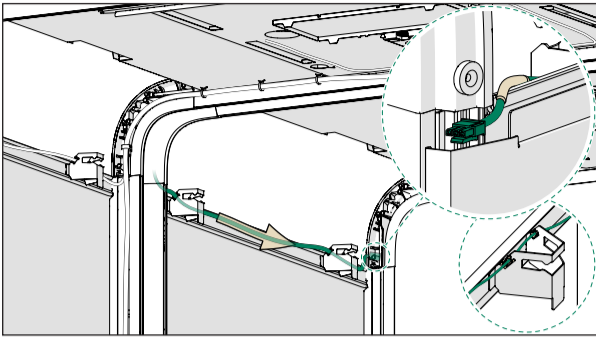
⚠ Do not cover the radar unit with anything. Route all cables around it.

### 2.5 Radar wiring harness

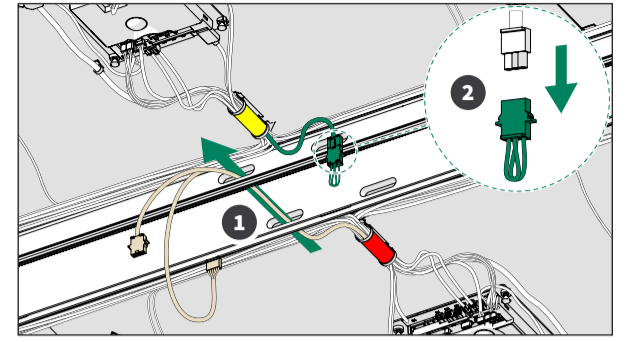


## 2. ELECTRICS

### Occupancy light cables

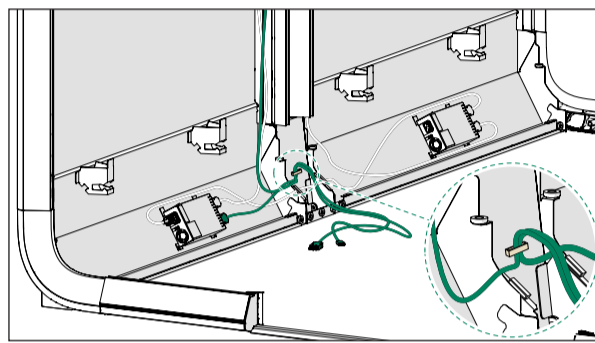
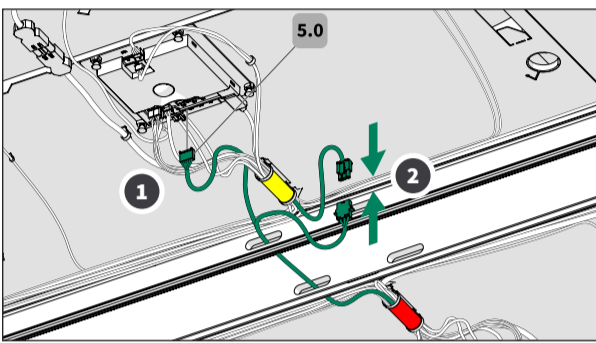


### Connecting the radar and core units



⚠ Guide the cord through the opening which is closer to the side to which the cable harness is guided.

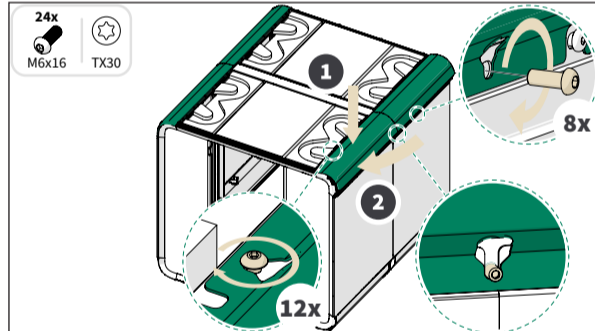
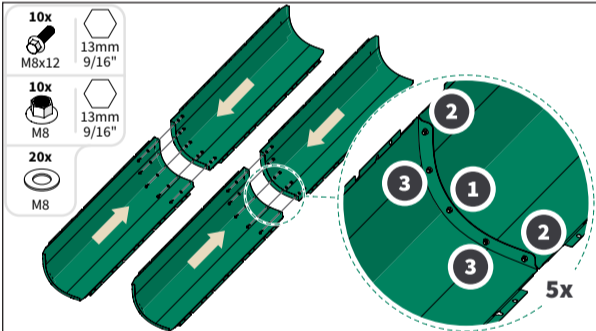
### GST and HDMI cable routing



⚠ These cables are connected later when the table and touchscreen are installed.

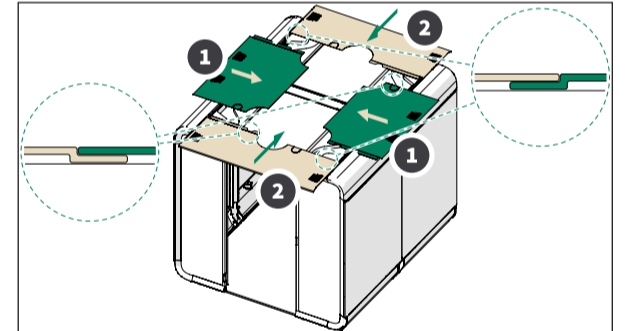
## 3. EXTERIOR

### 3.1 Roof exterior panels (corners)

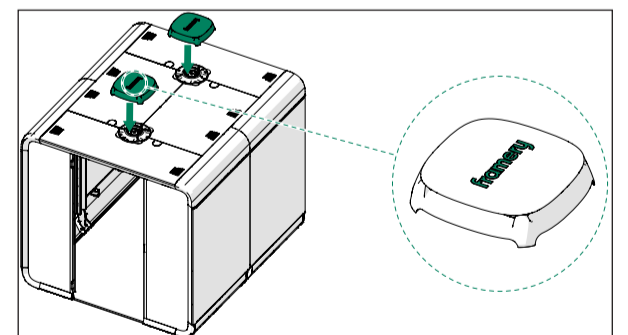


⚠ Before you tighten the screws on the wall side, make sure that the pin is in the panel cut.

### 3.2 Roof and bottom exterior panels



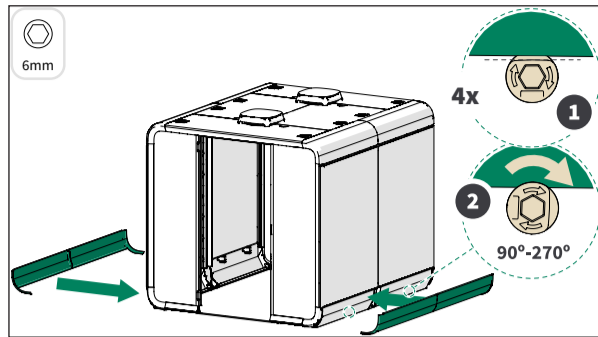
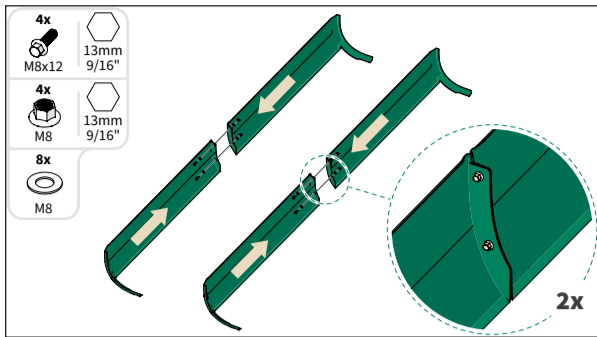
### 3.3 Fan covers



⚠ Stand on a step ladder when you install components to the roof of the pod. Never climb on top of the pod.

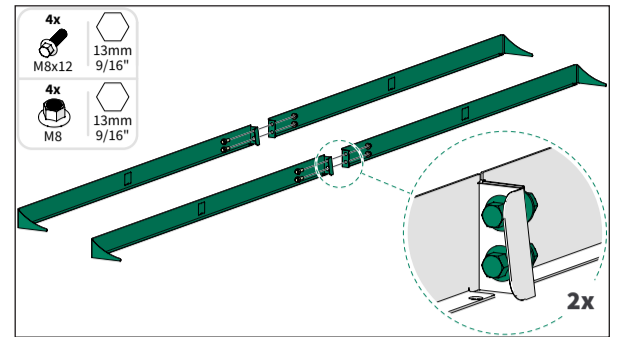
### 3. EXTERIOR

#### 3.4 Floor exterior panels

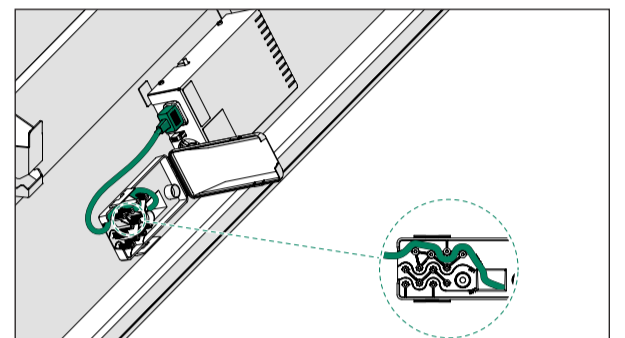
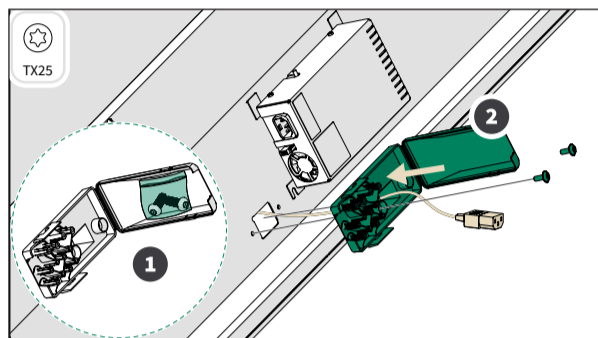
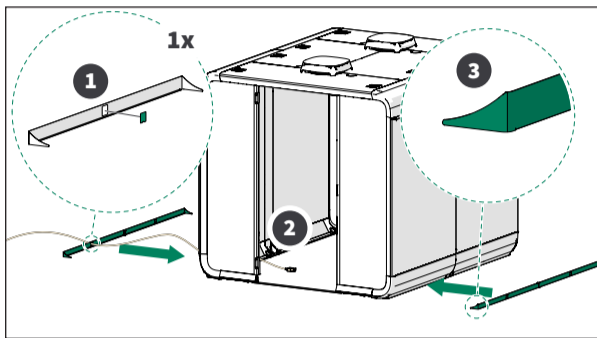


! Turn the fasteners until there is no gap between the exterior panels and frame pipes.

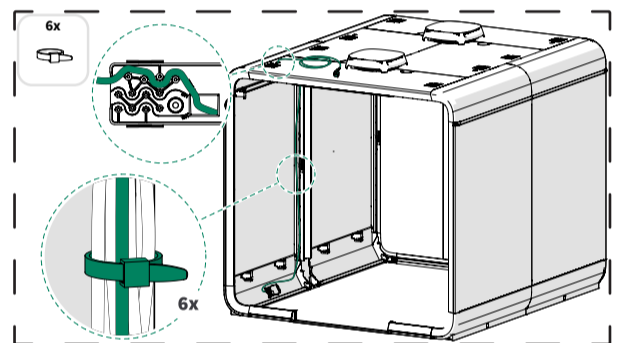
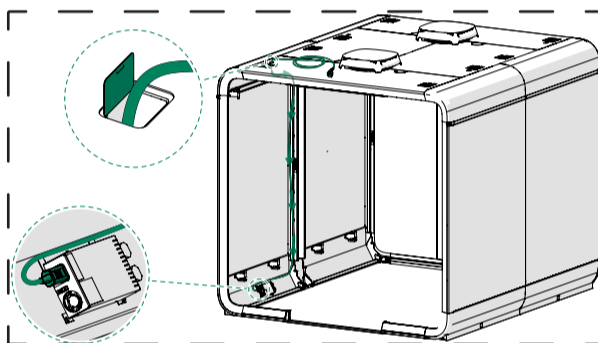
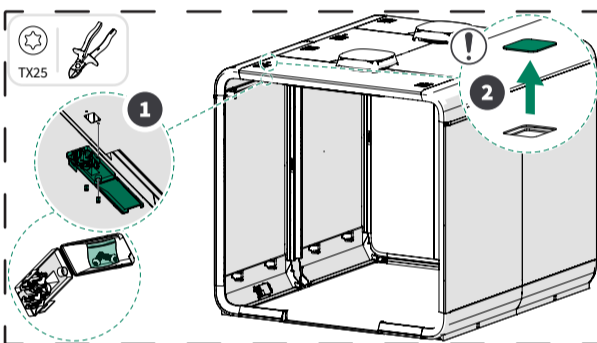
#### 3.5 Floor covers



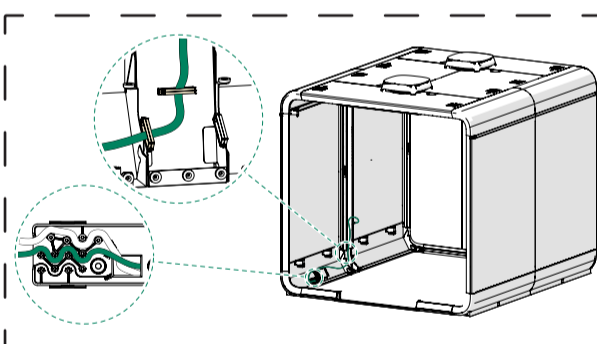
#### 3.6 AC power cord & strain relief



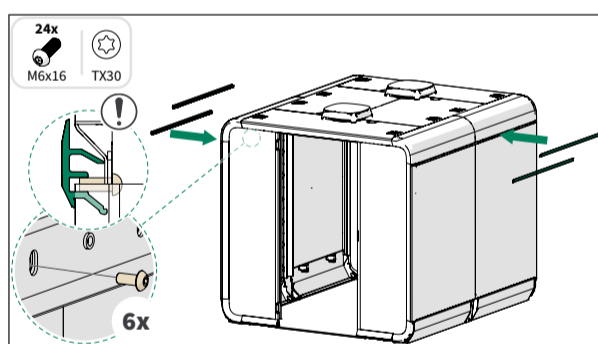
#### + AC power cord, roof, optional



#### + LAN cord, optional

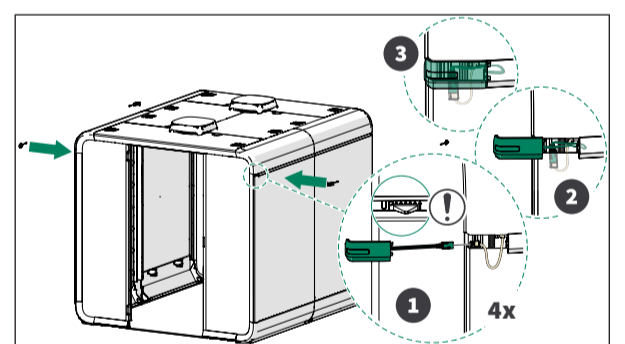


#### 3.7 Add-on rails



! Secure the add-on rails from the inside of the pod while another installation technician pushes them from the outside.

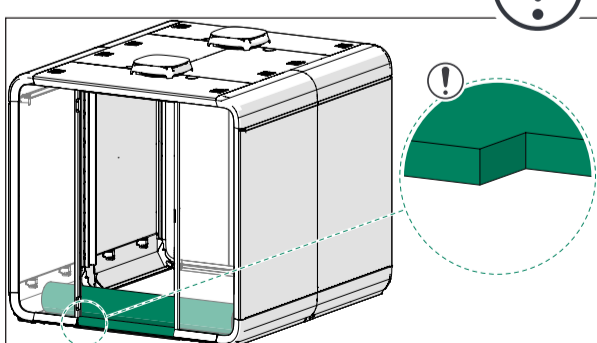
#### 3.8 Occupancy lights



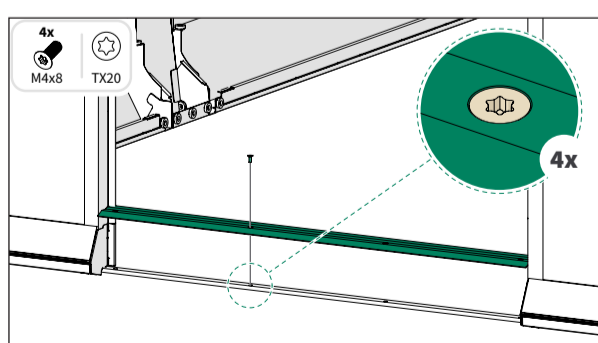
! Check the "UP" marking on the inner surface of the occupancy light and make sure that you install the lights on the correct side of the pod.

### 4. DOOR

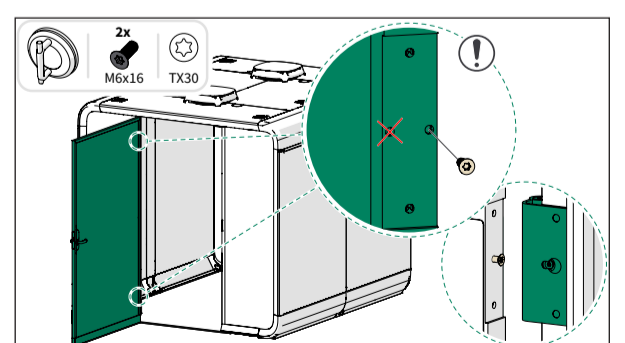
#### 4.1 Carpet



#### 4.2 Threshold

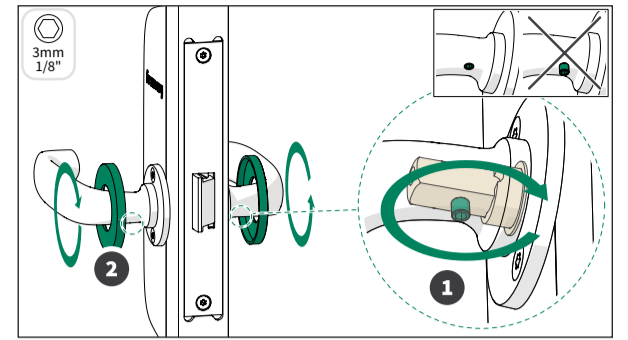
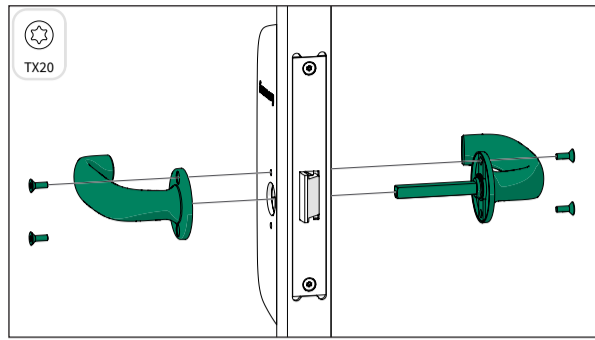
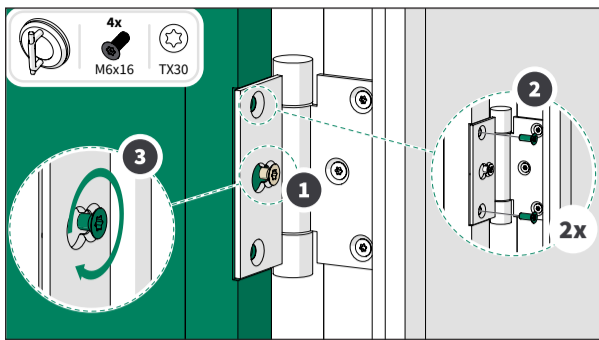


#### 4.3 Door



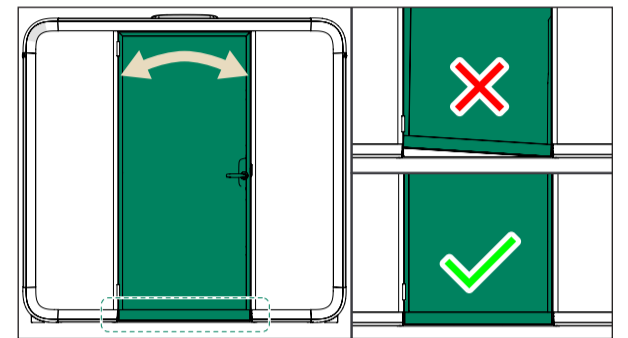
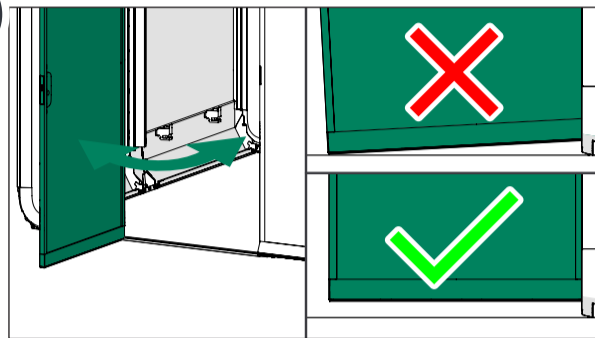
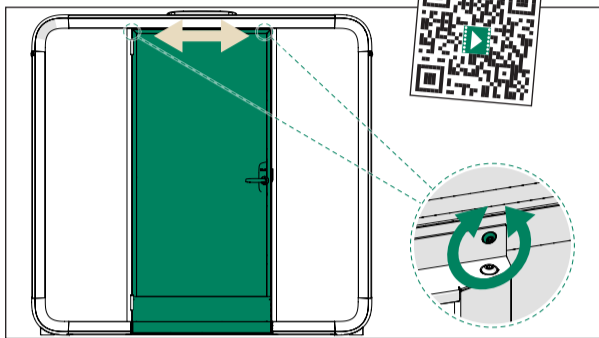
## 4. DOOR

### 4.4 Door handle



### Adjust the door

Scan for video

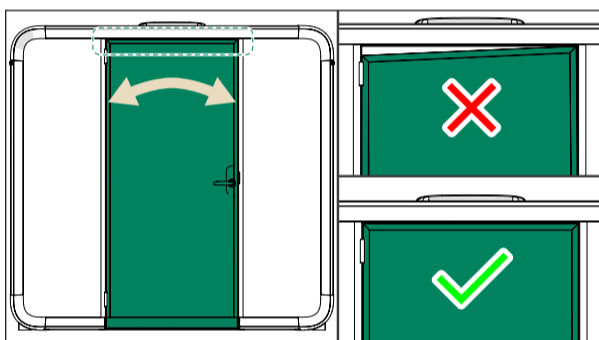


- ! If the door does not close properly, loosen the ceiling threshold screws, adjust the door position and retighten the screws.

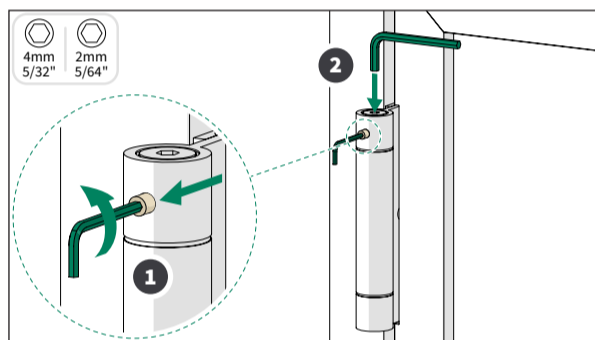
- ! Open the door and make sure that it does not scratch the floor.

- ! Open the door and make sure that it does not scratch the pod threshold.

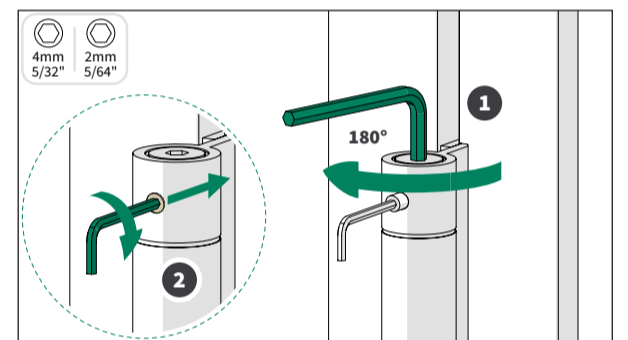
### Adjust the closing speed



- ! Open the door and make sure that it does not scratch the upper frame.

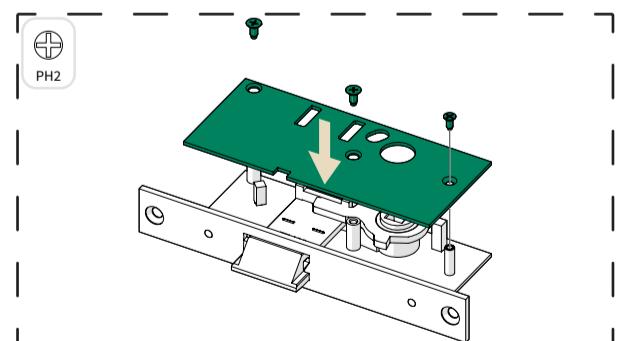
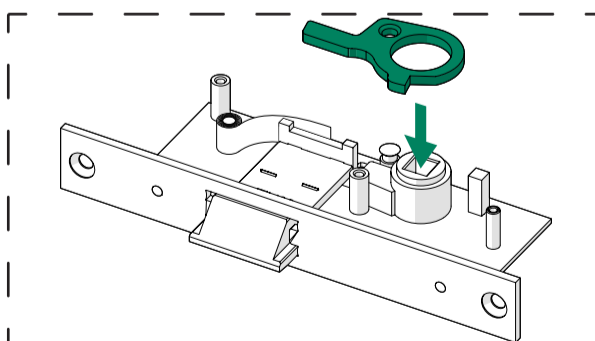
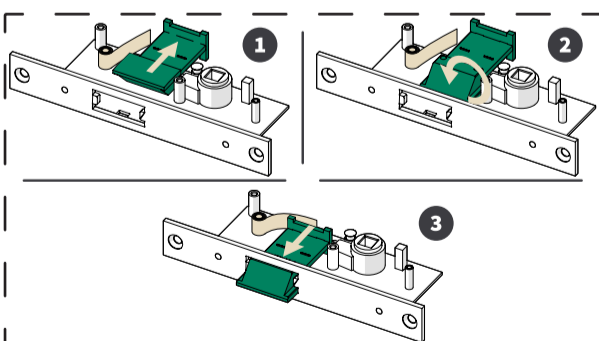
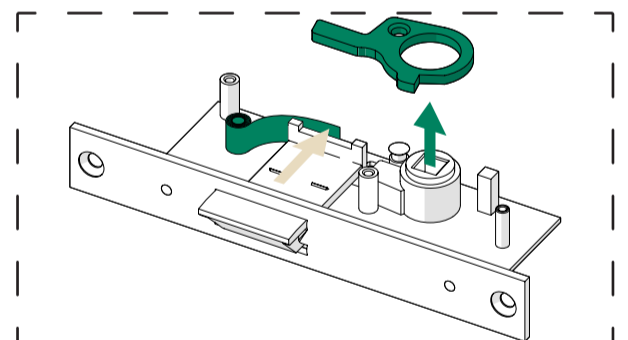
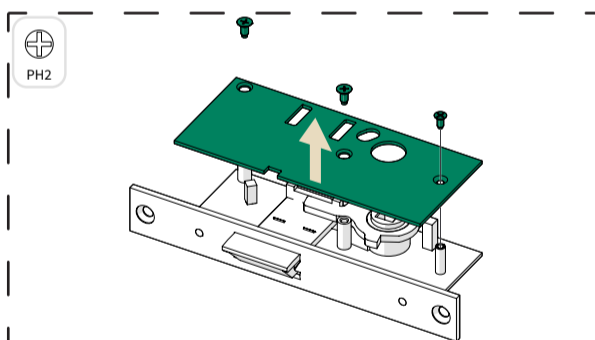
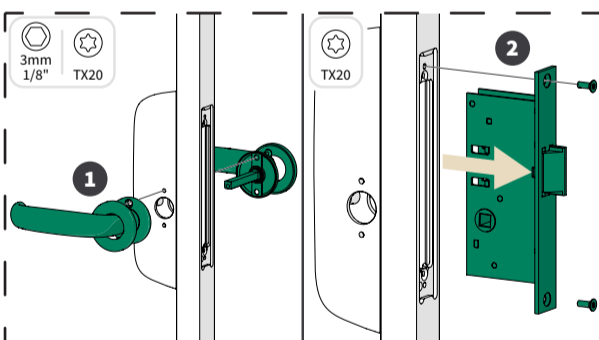


- ! Make sure that you adjust both hinges to the same setting.

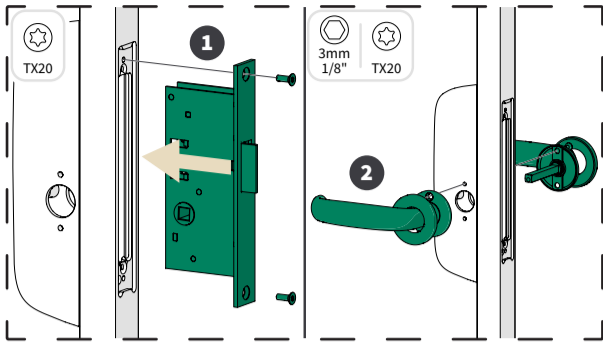


- ! If you have a right-handed door, adjust the spring counter-clockwise.

### ⊕ Change the door handedness, optional

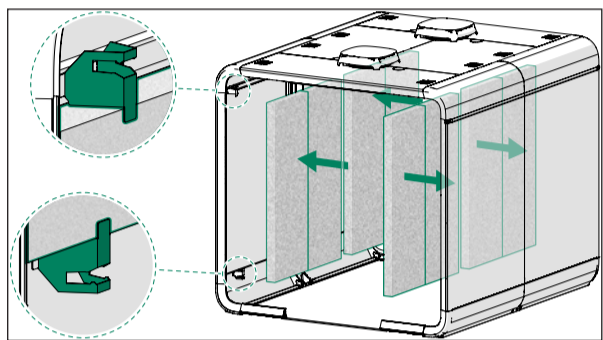


## 4. DOOR



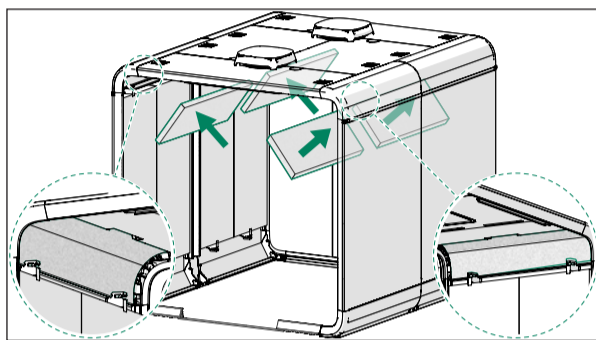
## 5. INTERIOR

### 5.1 Wall acoustic panels

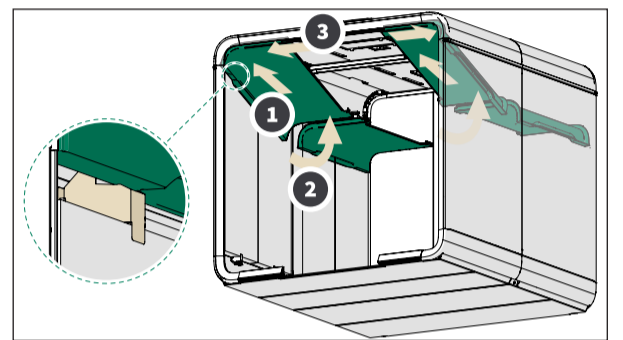


- ! The acoustic panels are crucial for the pod soundproofing. Make sure that you install all of them.

### 5.2 Roof acoustic panels

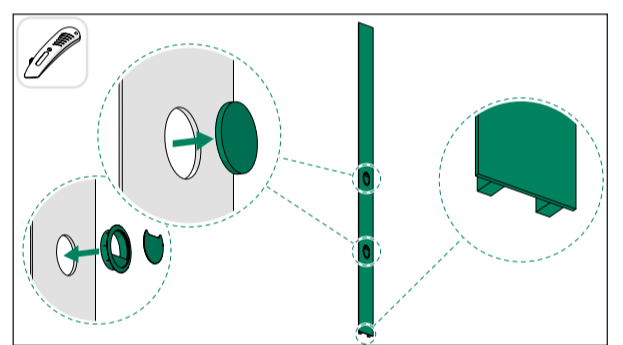
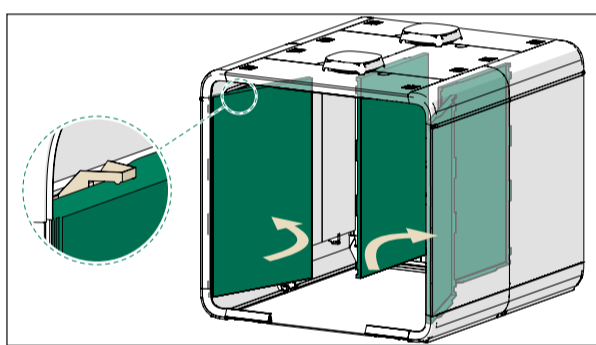
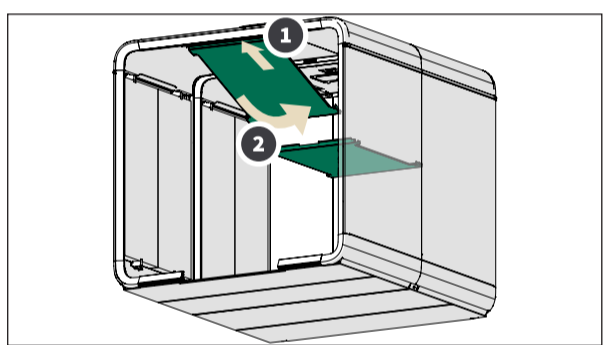


### 5.3 Ceiling interior panels

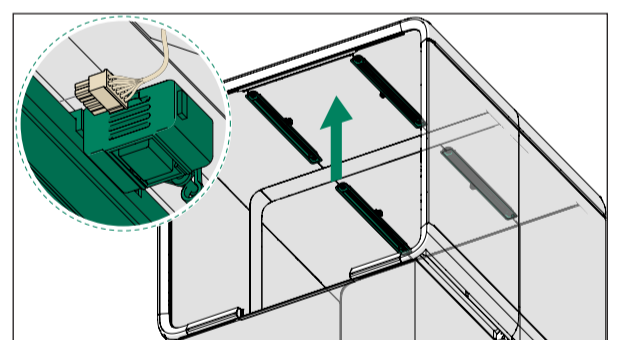
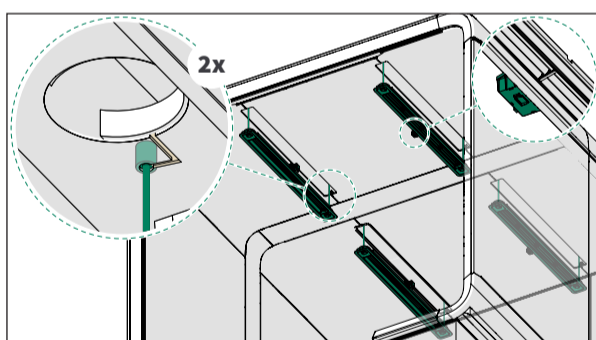
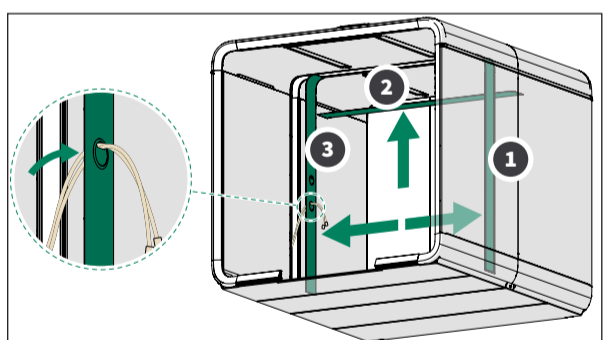


- ! Make sure that the interior panels are aligned and there are no gaps between the panels and the frame.

### 5.4 Wall & middle interior panels

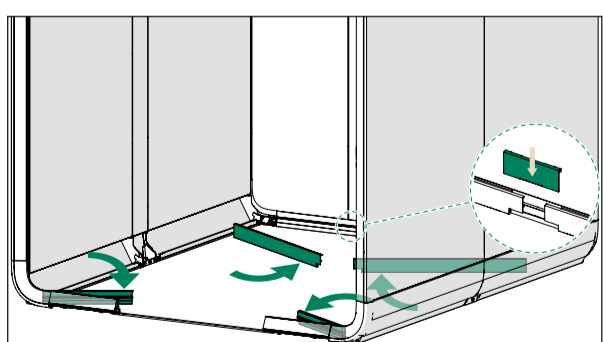


### 5.5 Lights

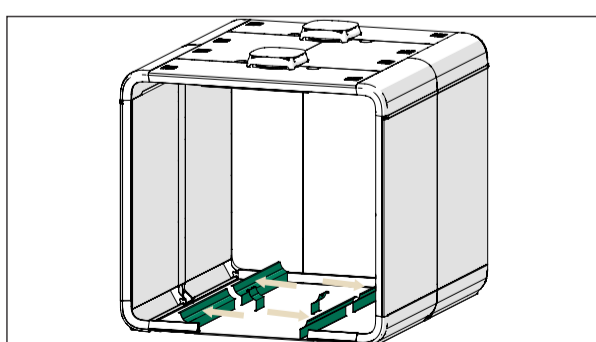


- ! Guide the HDMI and GST cable through the lower opening in the middle interior panel.

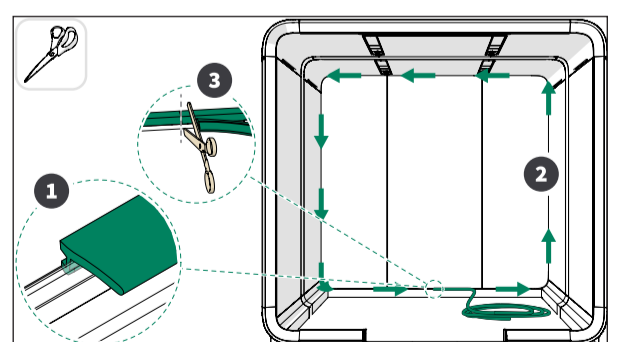
### 5.7 Cable channels



### 5.8 Kickboards



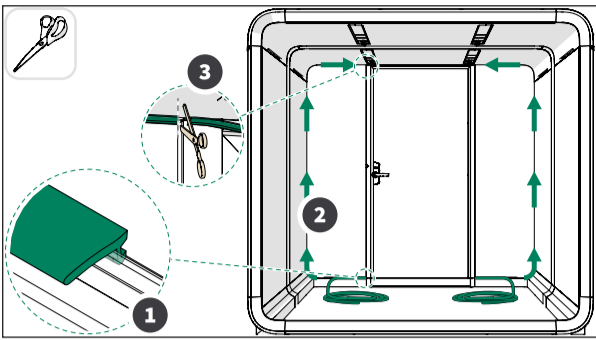
### 5.9 Gaskets



- ! Do not stretch the gasket during installation.
- ! Make sure that there are no bumps or gaps between the gasket and glass or interior panels.

# 5. INTERIOR

## Check the panel alignment



5.10 Table

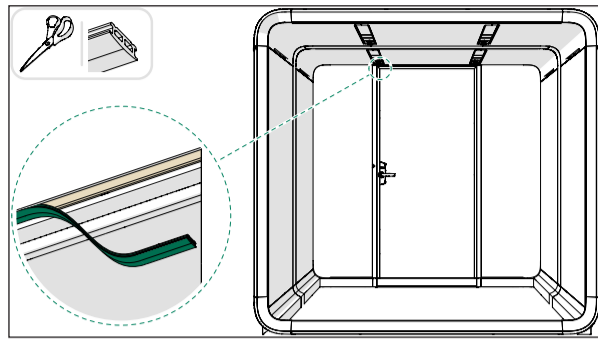
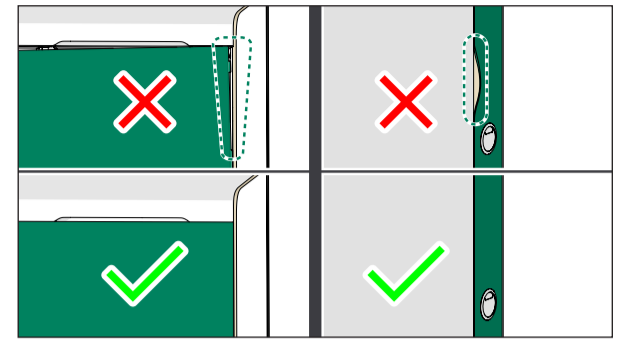
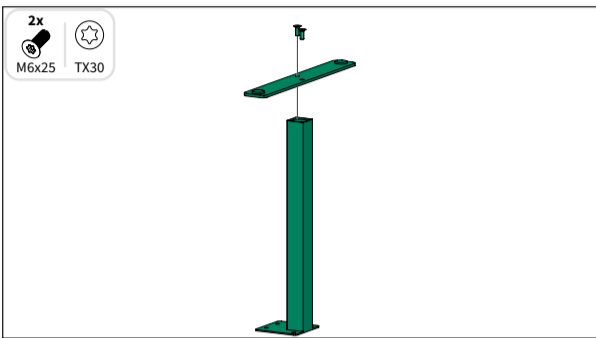


Table mount & table leg



Cable net



Power outlets

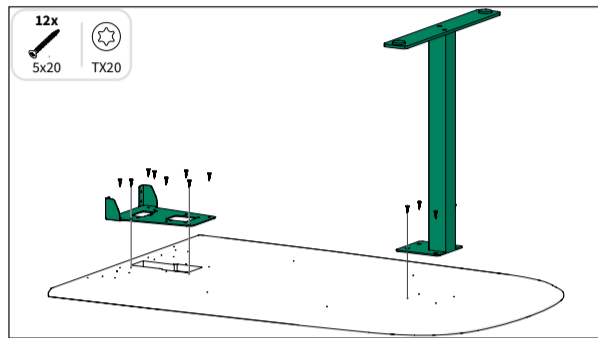
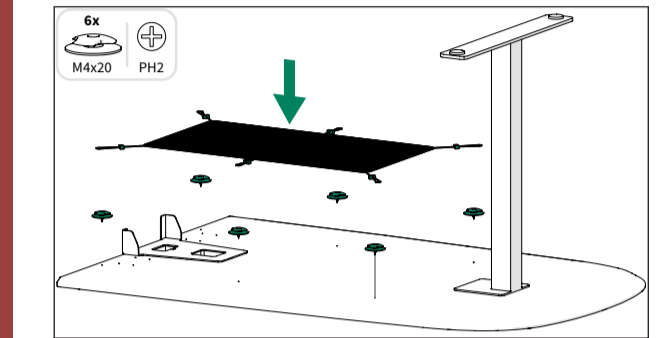
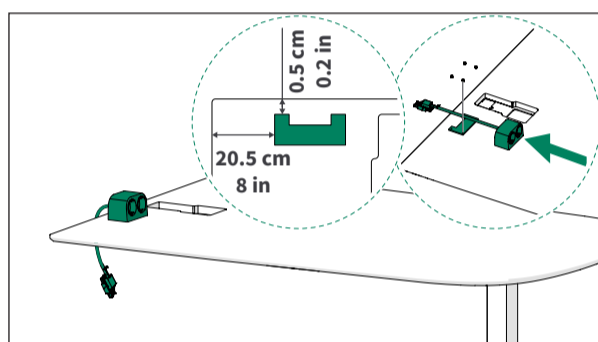
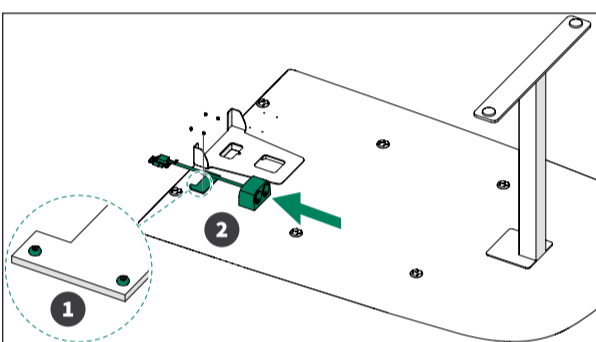


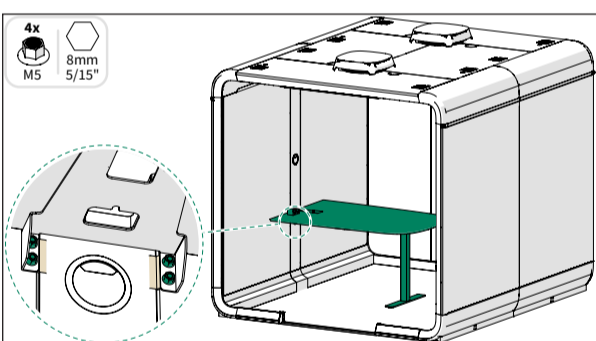
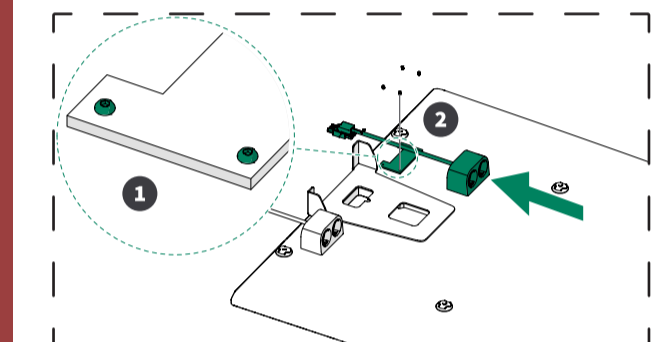
Table top



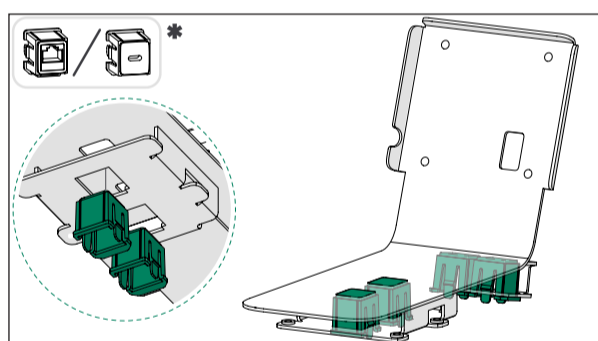
⊕ Extra power outlets, optional



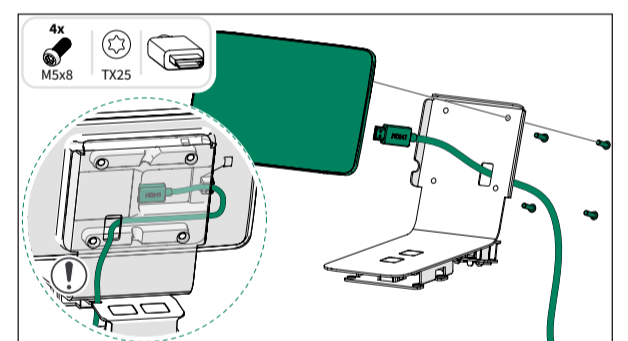
5.11 Touchscreen holder & touchscreen



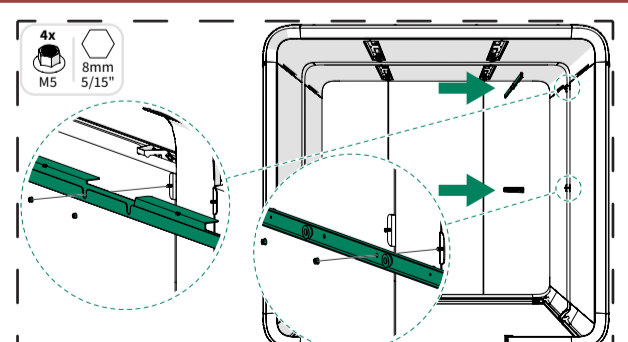
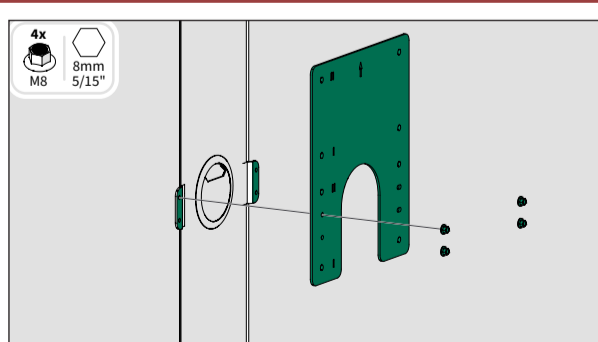
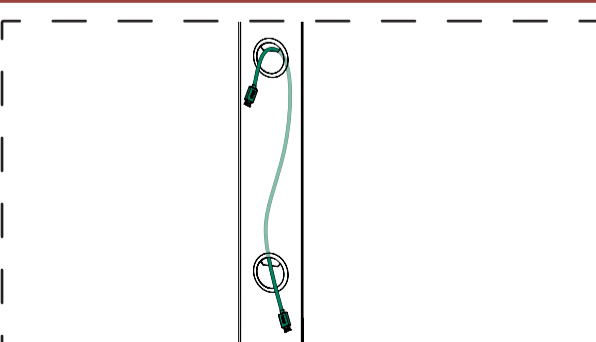
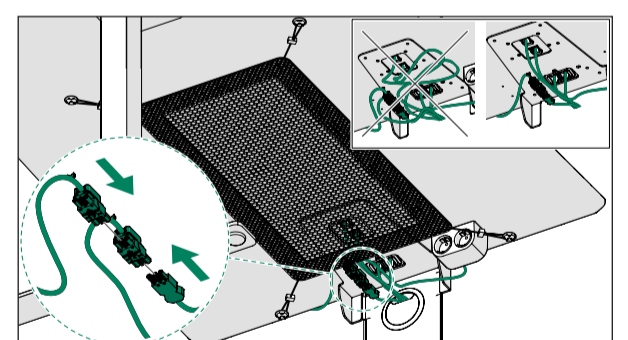
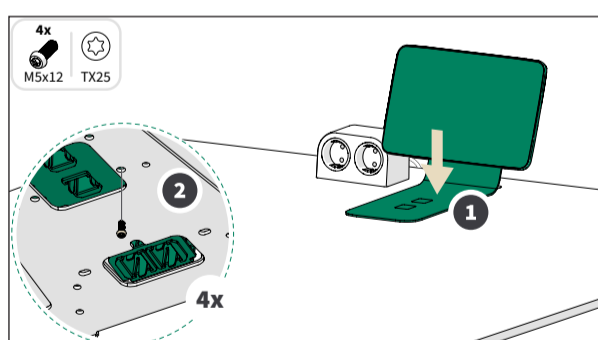
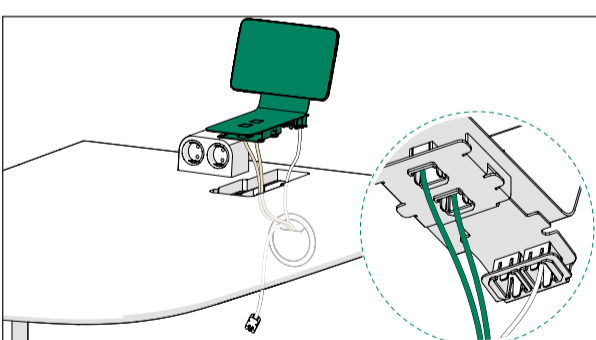
⊕ HDMI-cable, optional



5.12 Monitor wall mount

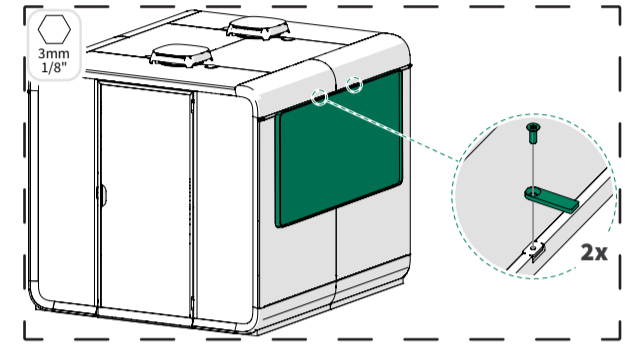
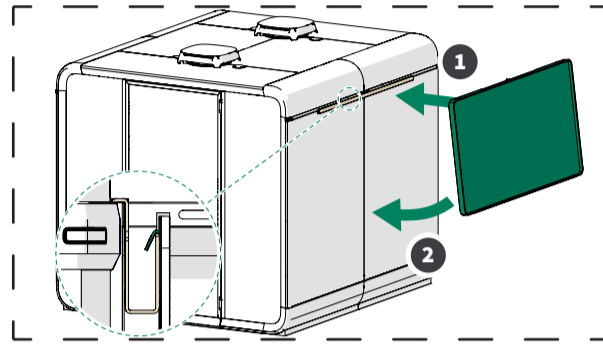
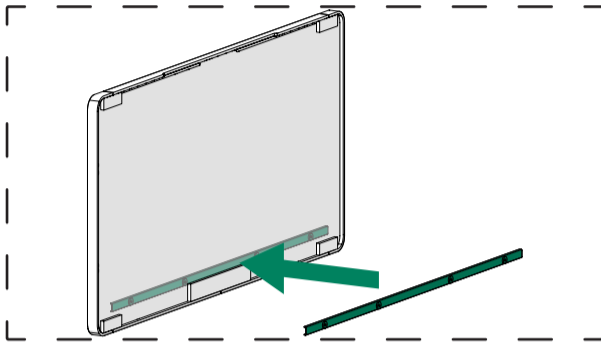
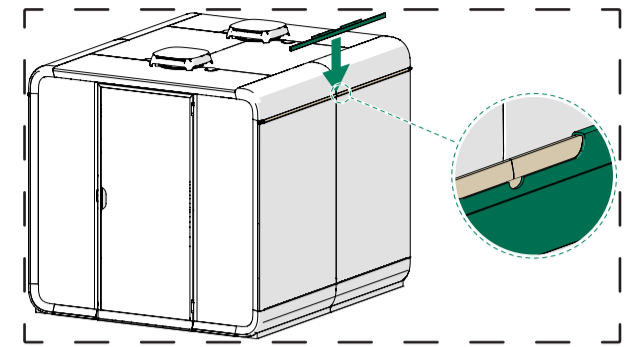
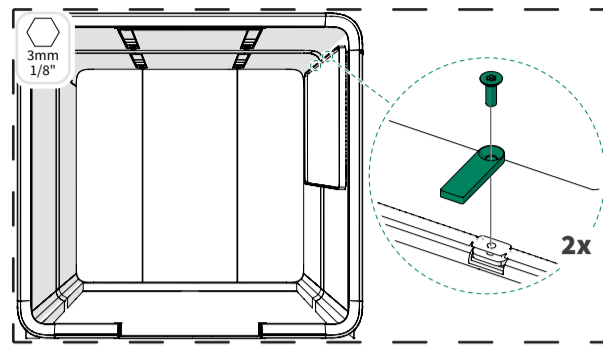
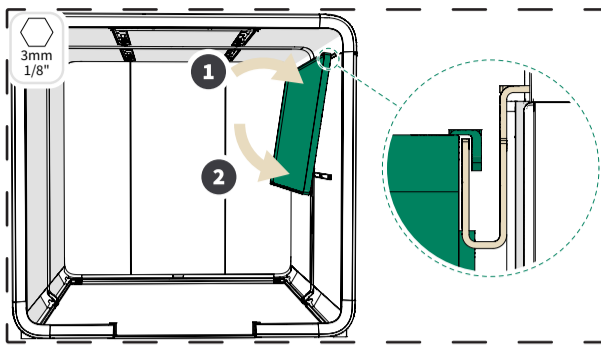


⊕ Whiteboard, inside, optional



## 5. INTERIOR

+ Whiteboard, outside, optional

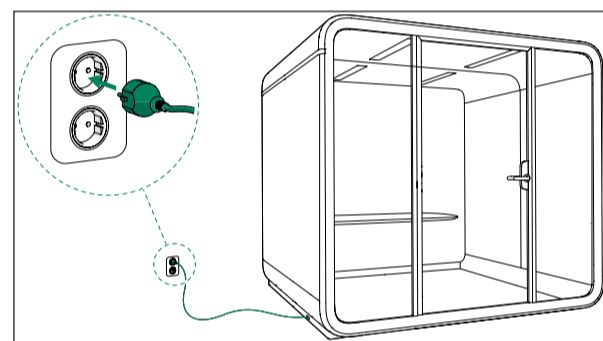


## Finalize the installation

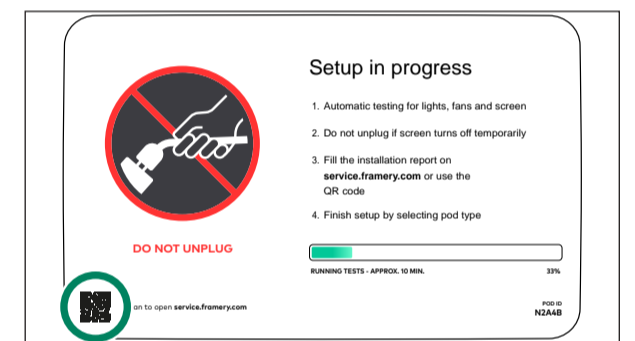
### Clean the pod



### Connect the power cord



### Create an installation report



Scan the QR code on the touchscreen to open the installation report.



