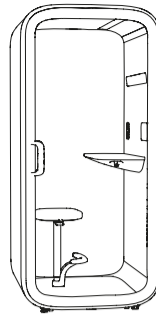


# Framery One Compact

## Quick Installation Guide version E.1



INSTALLATION VIDEOS

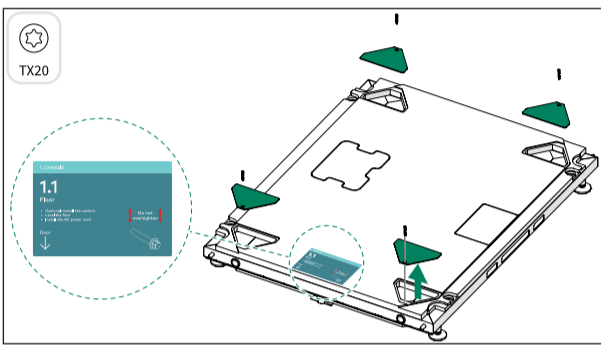


INSTALLATION INSTRUCTIONS

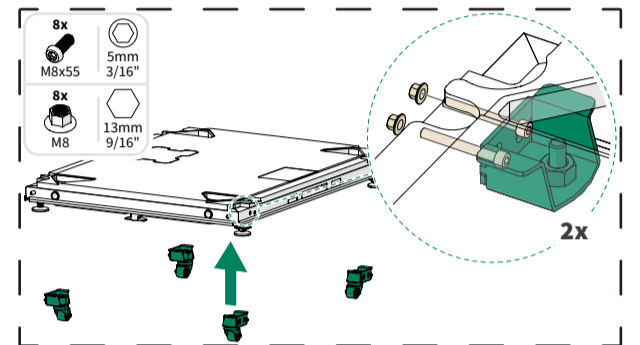
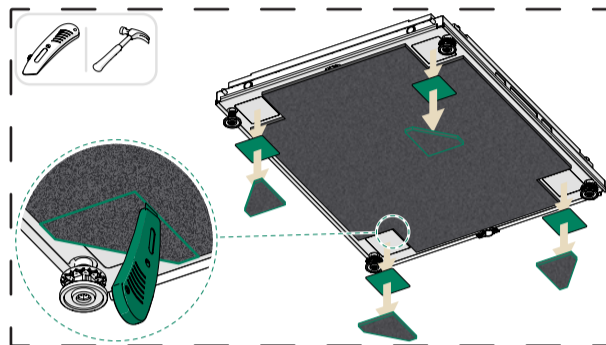
**+** INSTALLATION STEPS MARKED WITH THIS SYMBOL ARE OPTIONAL.

### 1. CHASSIS

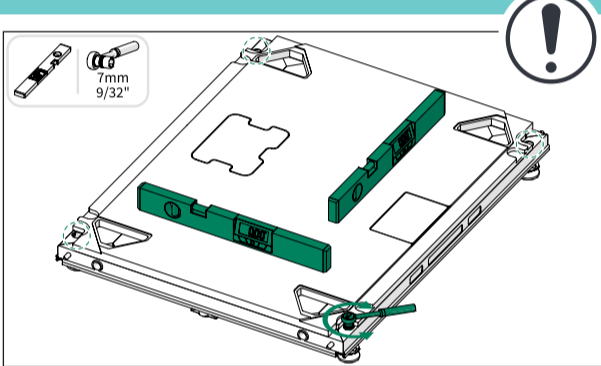
#### 1.1 Floor



#### + Casters, optional

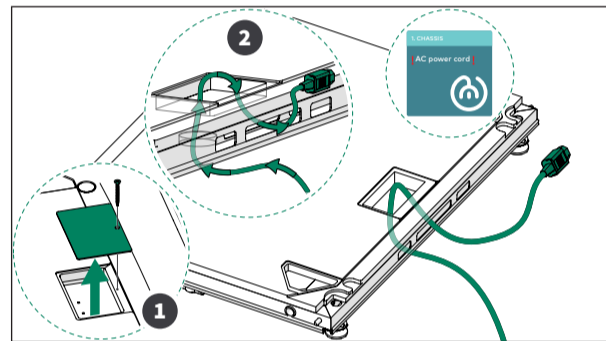


#### Level the floor



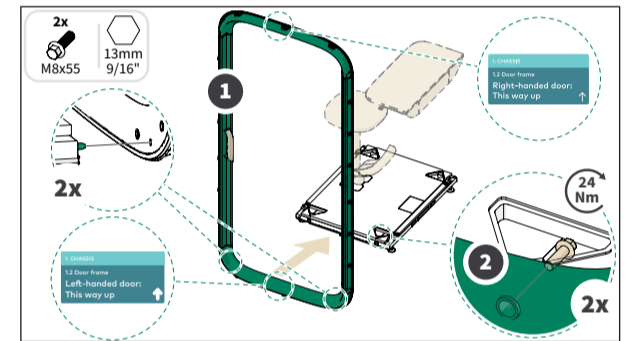
! If the floor is not leveled, the sound insulation of the pod will be improper. Level the floor and after leveling, stand on it to make sure that it is stable.

#### AC power cord (floor)



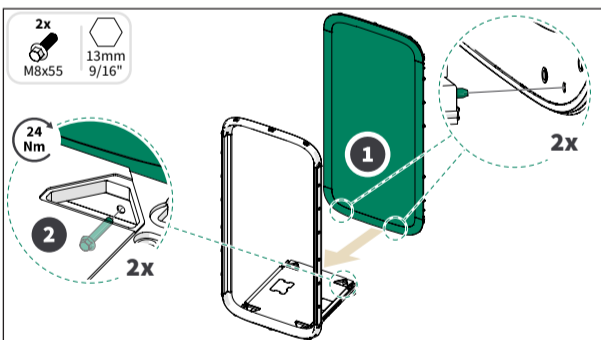
! If the power cord is routed through the roof, continue to the next phase. The power cord is installed later after connecting the electrics.

#### 1.2 Door frame



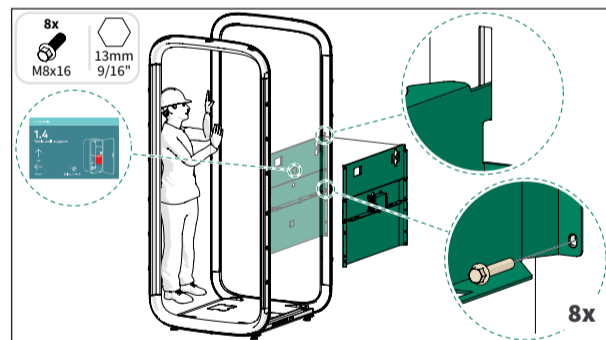
! Hold the door frame upright while another installation technician secures it to the floor module.  
! The orientation of the door frame determines the door handedness.

#### 1.3 Glass wall

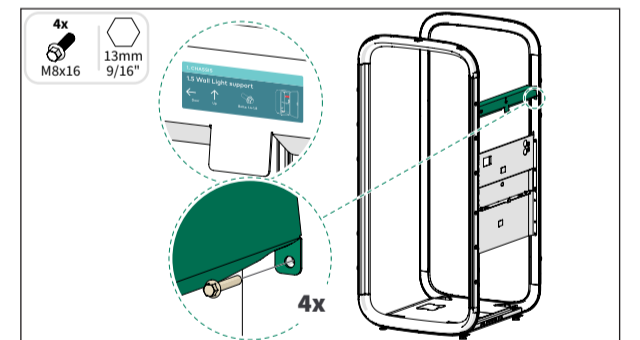


! Hold the glass wall upright until another installation technician has installed the table wall support between the frames.

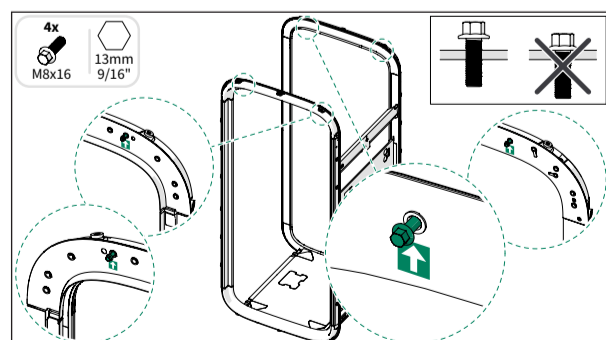
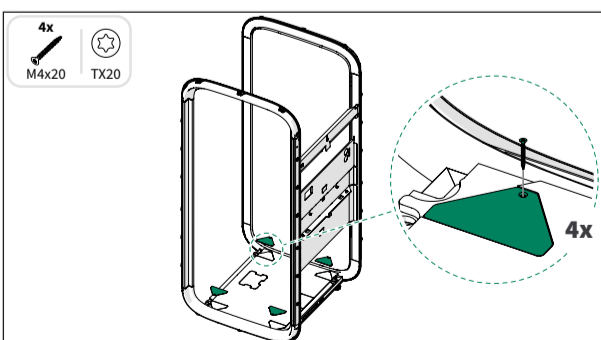
#### 1.4 Table wall support



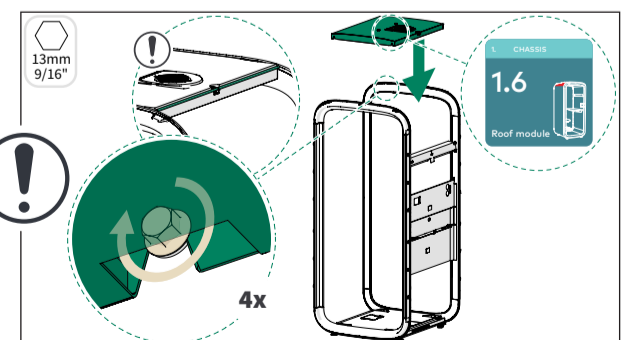
#### 1.5 Wall light support



#### 1.6 Roof module



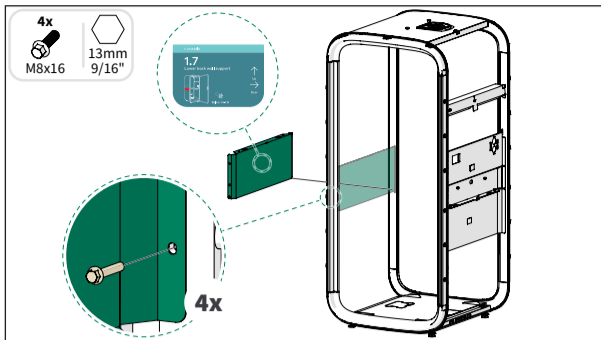
! Make sure that the fan cables or the roof module seal do not get pinned between the roof module and pod frame.



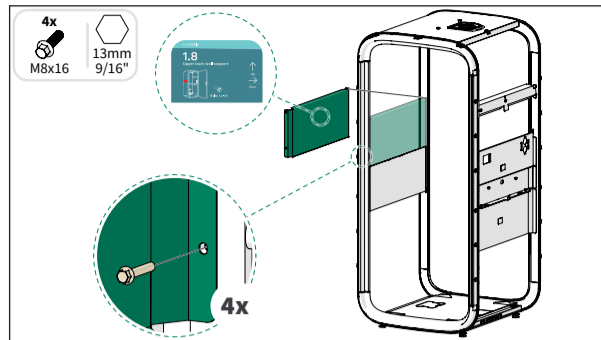
! Before tightening the screws, pull down firmly on the roof module to make sure that it is seated properly.  
! Remove the blue foam from the roof module.

## 1. CHASSIS

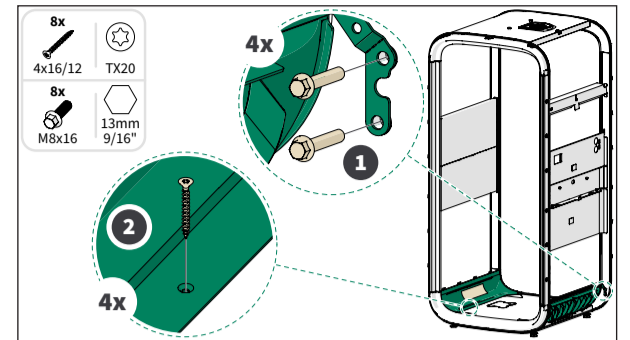
### 1.7 Lower back wall support



### 1.8 Upper back wall support

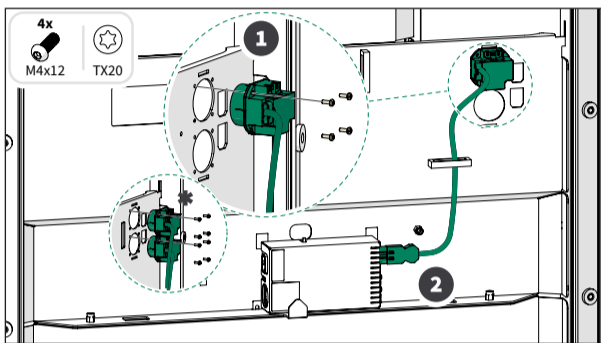


### 1.9 Kickboards



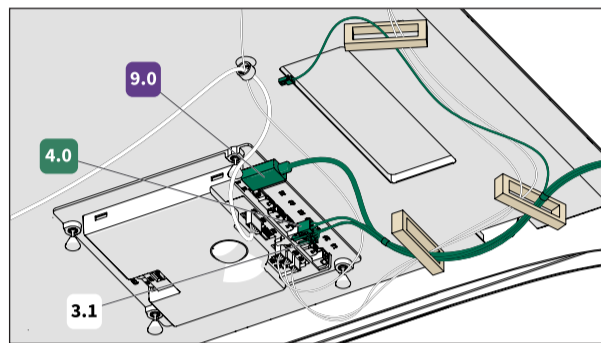
## 2. ELECTRICS

### 2.1 Power outlet



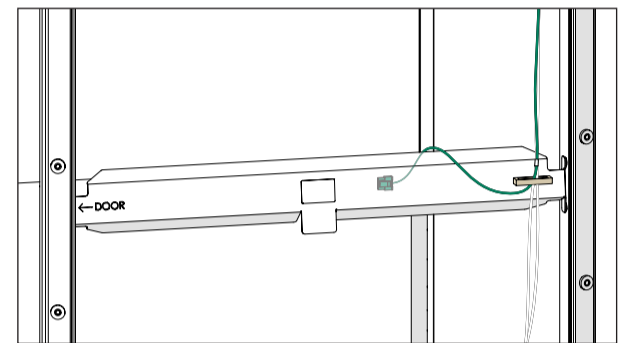
\* = With two power sockets.

### 2.2 Wiring harness

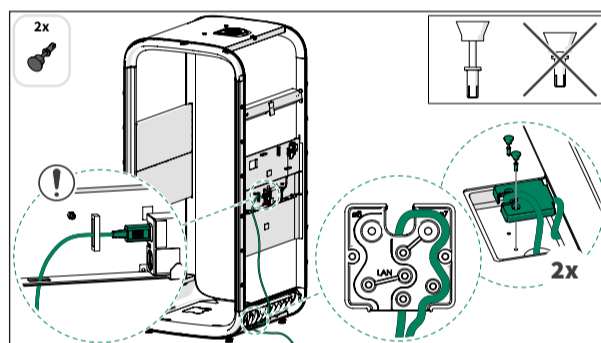


⚠ Do not cover the core unit with anything. Route all cables around it.

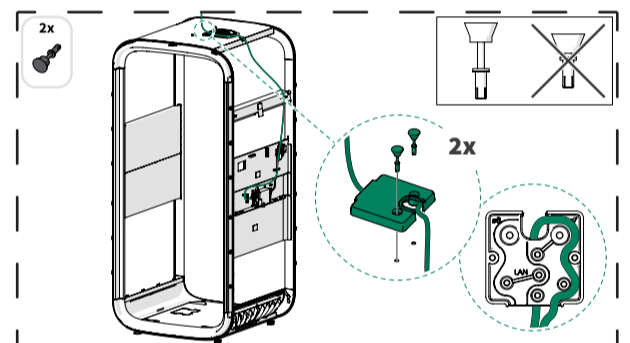
### Wall light cable



### 2.3 Strain relief

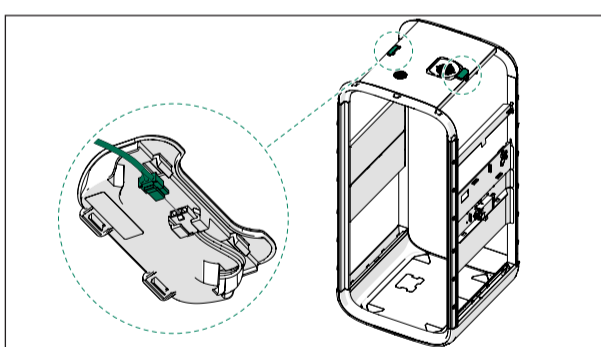


### + AC power cord (roof)



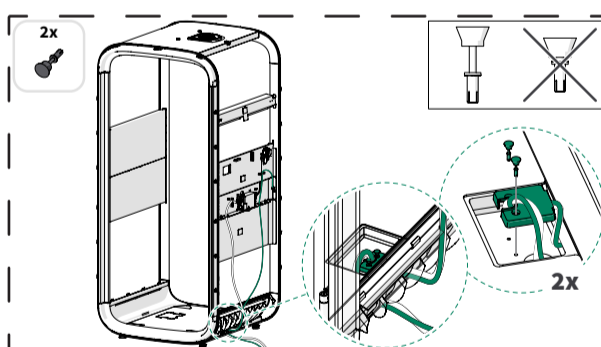
⚠ If the power cord is routed through the floor, continue to the next phase.

### 2.4 Occupancy lights

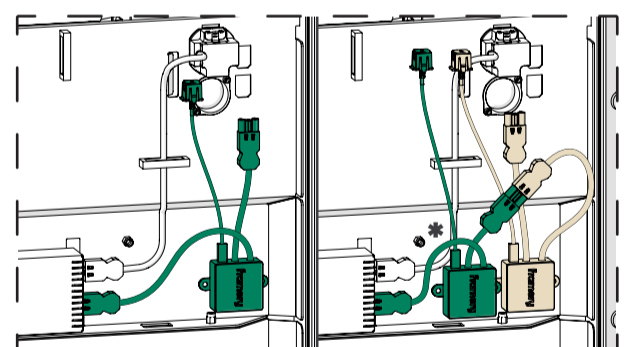


1. HDMI cable from the roof to the touchscreen  
2. 24V cable from the roof to the power unit

### + LAN, optional

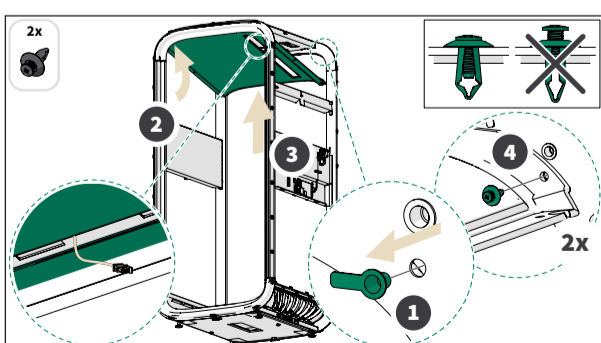


### + USB-C, optional



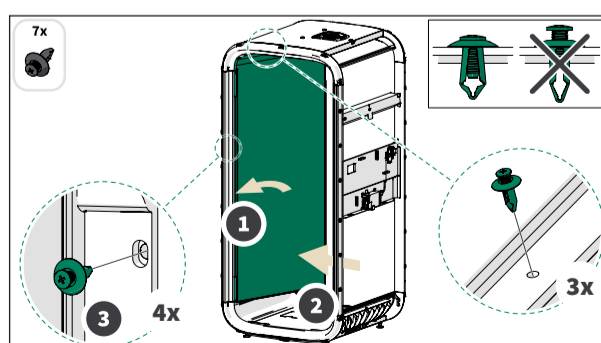
## 3. INTERIOR

### 3.1 Ceiling interior panel



- ⚠ Insert the door side of the interior panel on the rim on the frame, then put the other side of the panel in place.
- ⚠ Push the rivets with a finger to fasten the panels, no tools are needed.

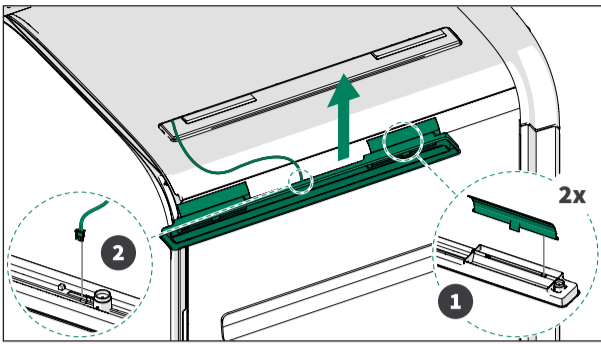
### 3.2 Wall interior panels



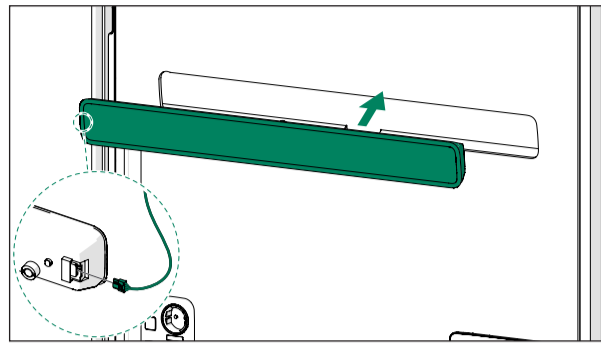
- ⚠ Insert the door side of the interior panel on the rim on the frame, then put the other side of the panel in place.
- ⚠ Push the rivets with a finger to fasten the panels, no tools are needed.

## 3. INTERIOR

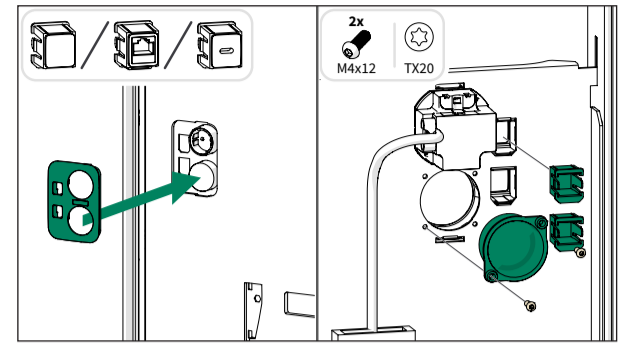
### 3.3 Ceiling light



### 3.4 Wall light

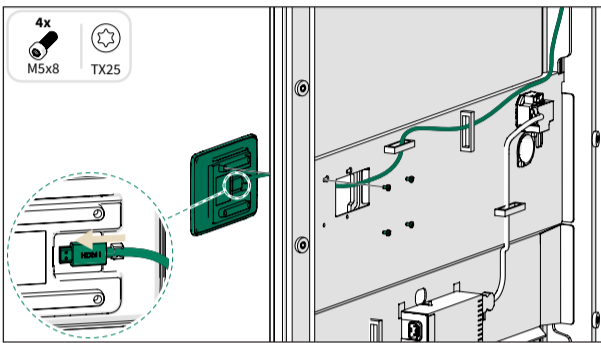


### 3.5 Socket covers



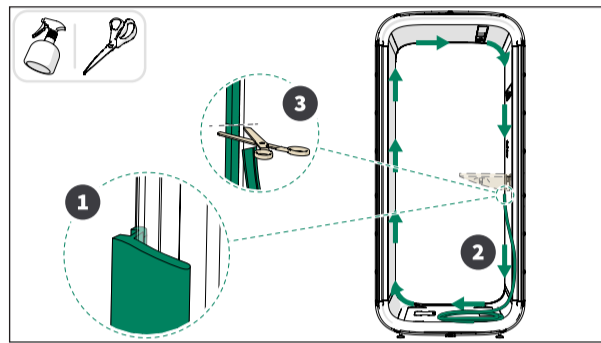
⚠ If LAN cord or USB-C module (options) are included, install the keystone connectors and connect the LAN or USB cords.

### 3.6 Touchscreen



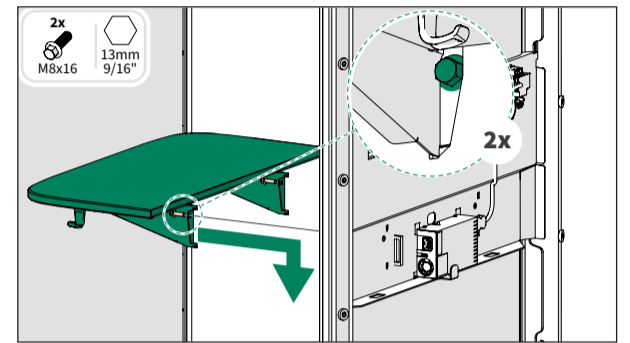
Test the electrics. Connect the power cord and verify that the touchscreen and both lights turn on. Disconnect the power cord.

### 3.7 Wedge gasket

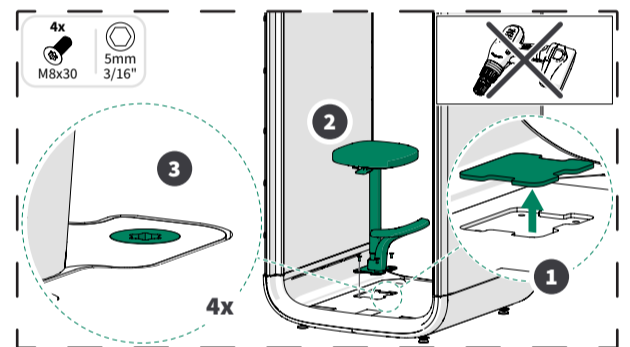
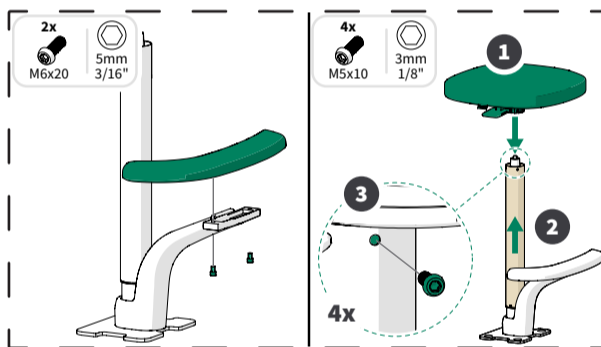
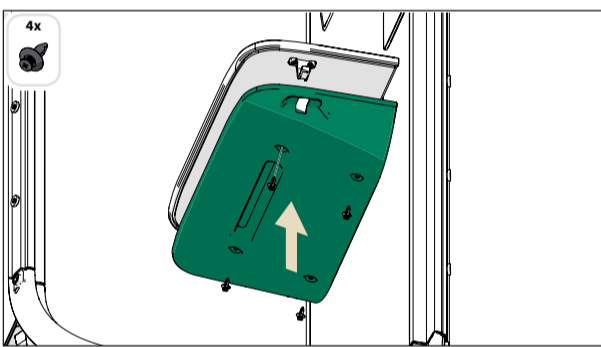


ⓘ Use glass washing liquid as a lubricant to help install the gasket.

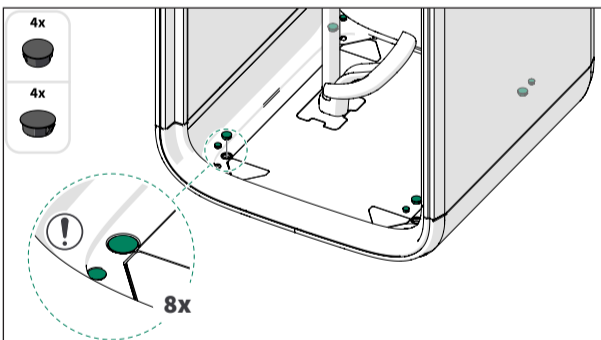
### 3.8 Table



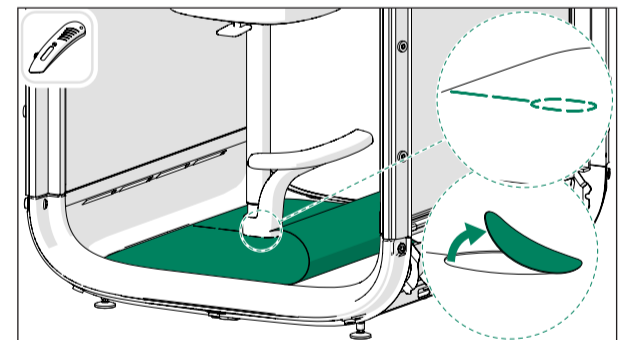
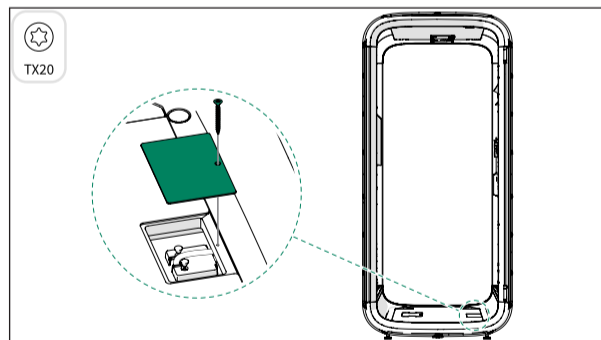
### + 3.9 Seat, optional



### 3.10 Carpet



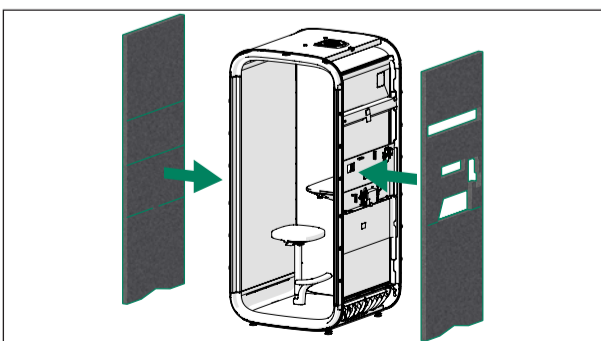
⚠ Make sure that you install the plastic plugs to the floor.



⚠ If the delivery does not include a seat, do not cut the carpet.

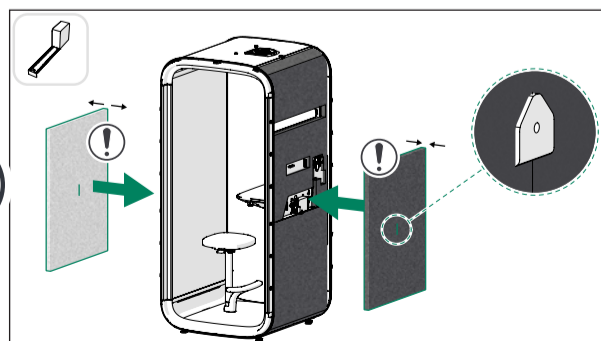
## 4. INSULATION & EXTERIOR

### 4.1 & 4.2 Acoustic panels 1



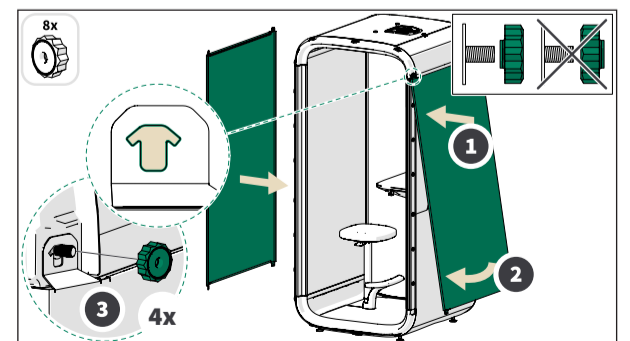
⚠ The acoustic panels are crucial for the pod soundproofing. Make sure that you install all of them (4).  
⚠ Make sure that the wall light stays in place.

### 4.3 & 4.4 Acoustic panels 2



⚠ The thinner acoustic panel is for the table wall and thicker for the back wall.

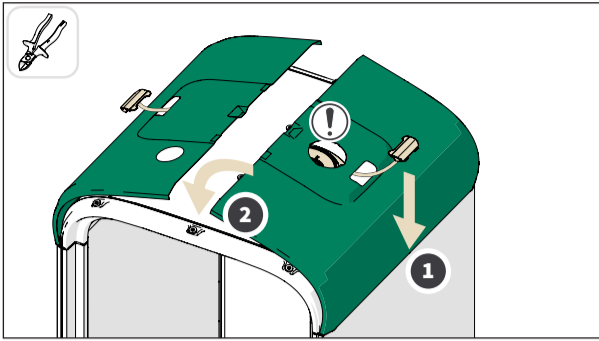
### 4.5 Wall exterior panels



⚠ The smooth side of the fastener must point outward.

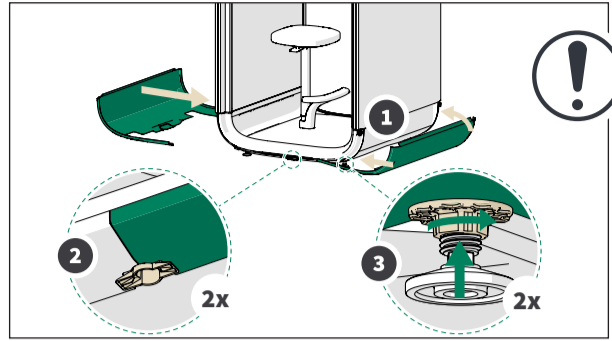
## 4. INSULATION & EXTERIOR

### 4.6 Roof exterior panels



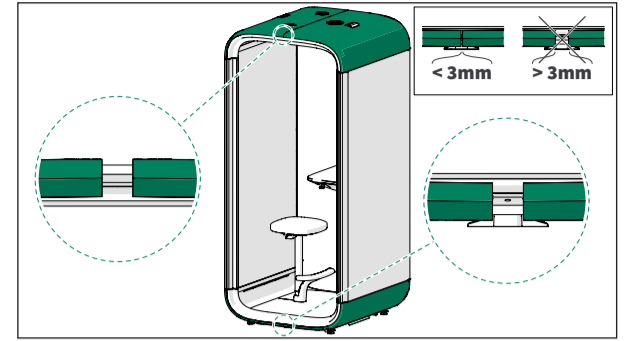
! If needed, gently tap the exterior panels to make them fit tightly.

### 4.7 Bottom exterior panels



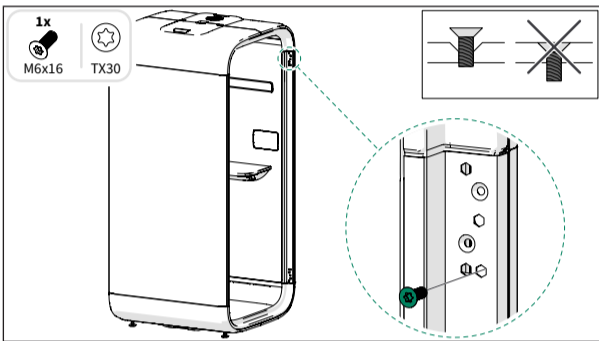
! Tighten the nuts just lightly.

### Check the panel alignment

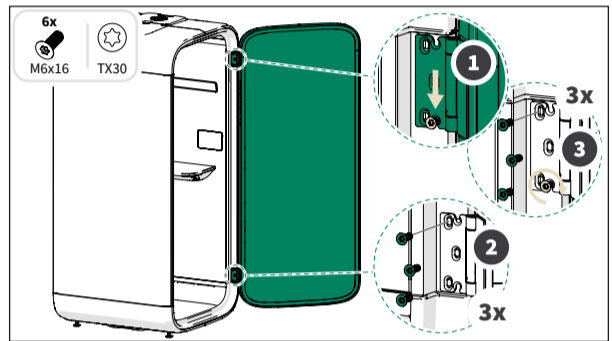


## 5. DOOR

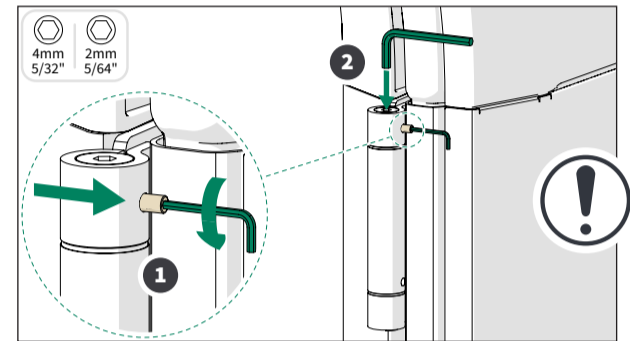
### 5.1 Door



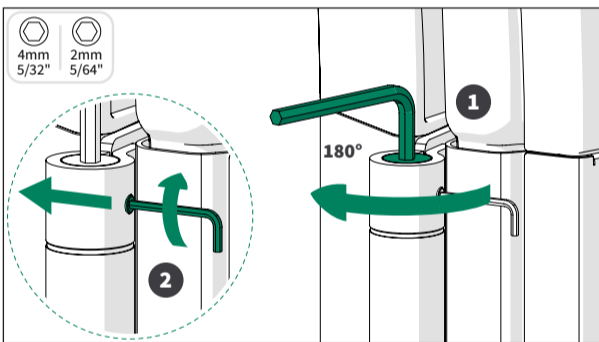
! Install the positioning screw first.  
! Do not lift the door from the handle when unpacking it.



### Adjust the closing speed



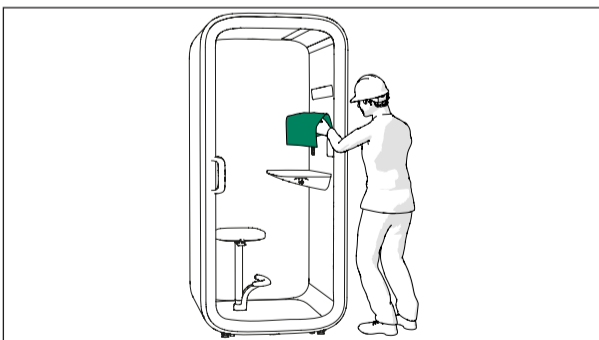
! Adjust both hinges to the same setting.



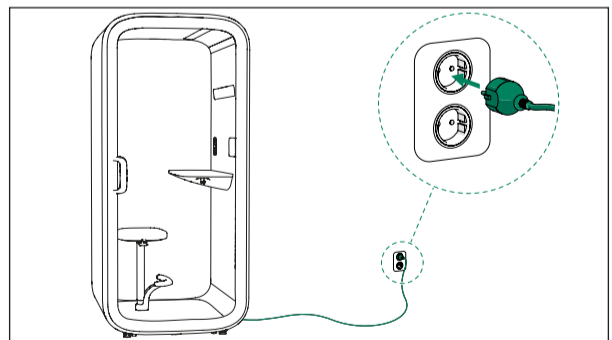
! With a left-handed door, turn counter-clockwise.

## Finalize the installation

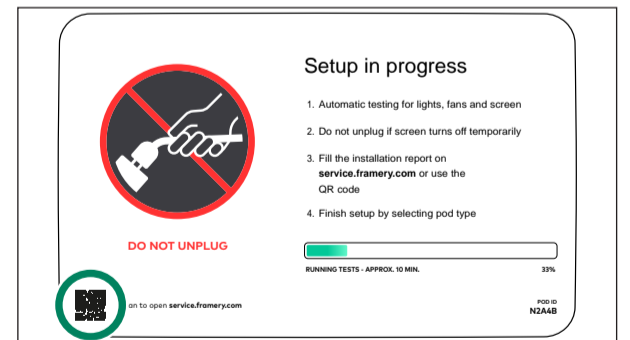
### Clean the pod



### Connect the power cord



### Create an installation report



Scan the QR code on the touchscreen to open the installation report.