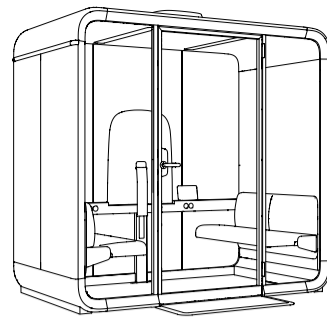


# Framery Four Accessible

## Quick Installation Guide

version E.1



INSTALLATION VIDEOS



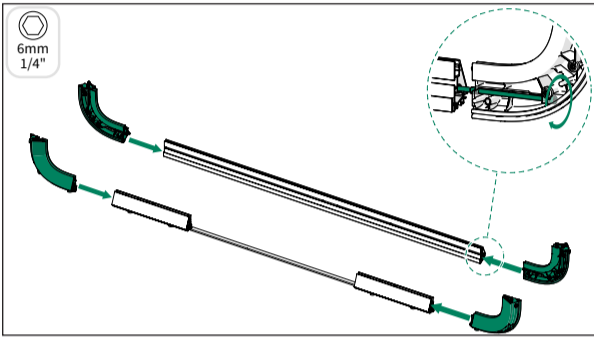
INSTALLATION INSTRUCTIONS

SCREWS AND BOLTS ARE IN THE FASTENERS AND ACCESSORIES 1 BOX.

INSTALLATION STEPS MARKED WITH THIS SYMBOL ARE OPTIONAL.

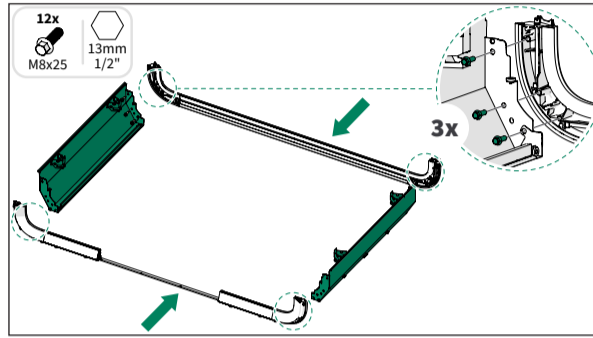
### 1. CHASSIS

#### 1.1 Front frame 1.2 Back frame

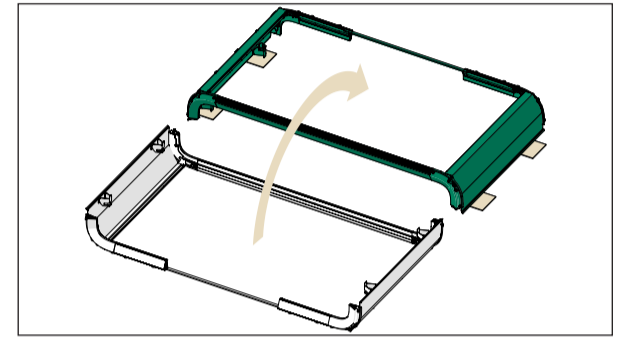


Make sure that the bolts are properly tightened.

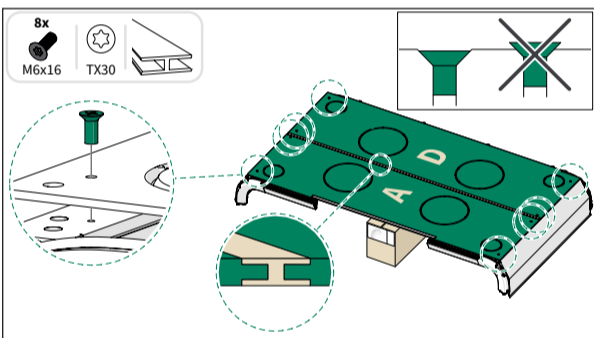
#### 1.3 Bottom corners



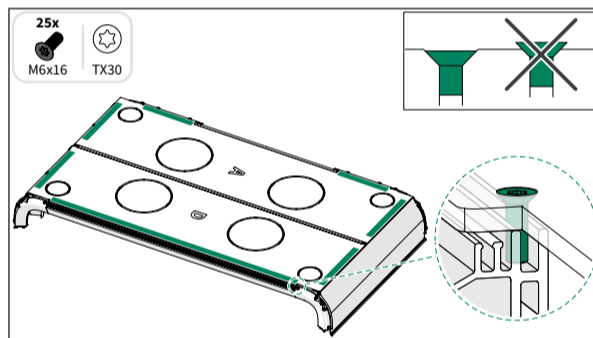
#### 1.4 Floor boards



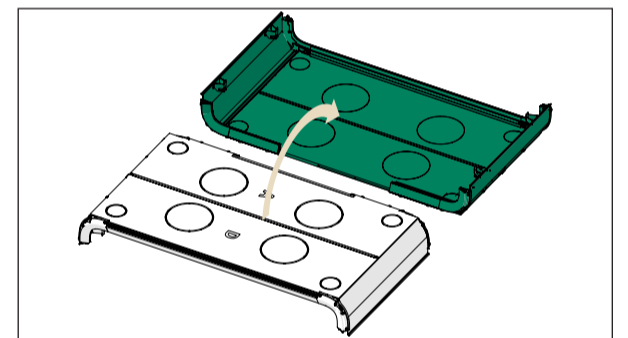
Place a carpet on the floor before flipping the bottom frame to protect the floor from scratches.



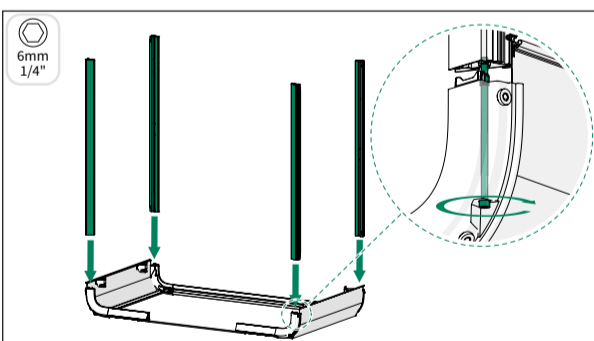
Place the corner frame boxes under the floor boards to avoid bending the boards.



Make sure that the screw heads are level with the floor boards.

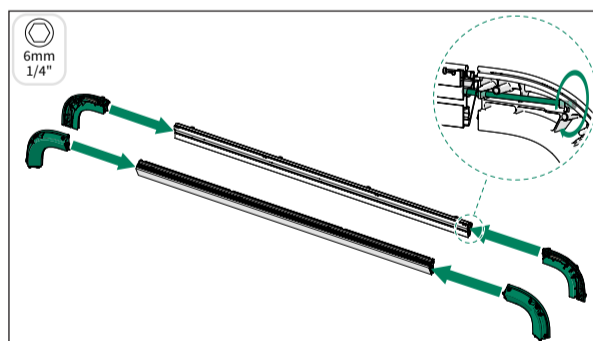


#### 1.5. Vertical frames

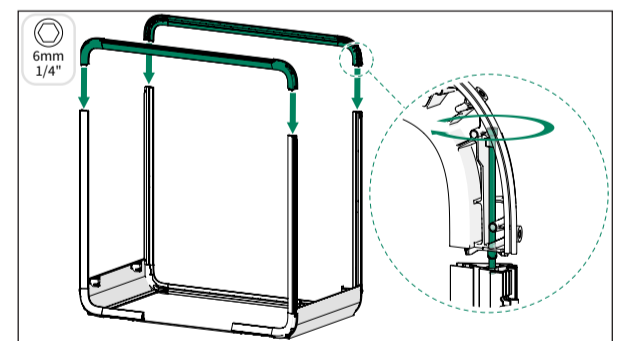


Make sure that the bolts are properly tightened.

#### 1.6 Horizontal frames

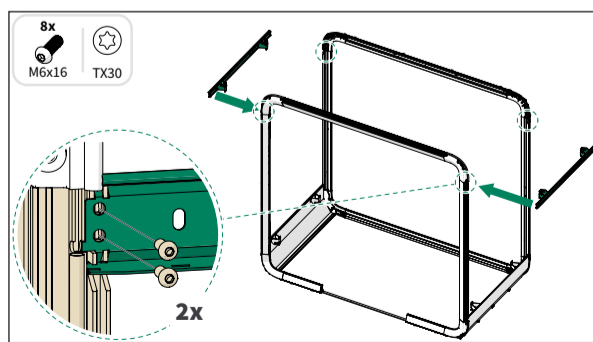
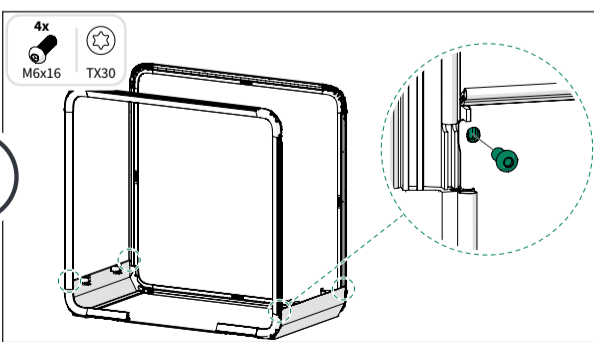


Make sure that the bolts are properly tightened.

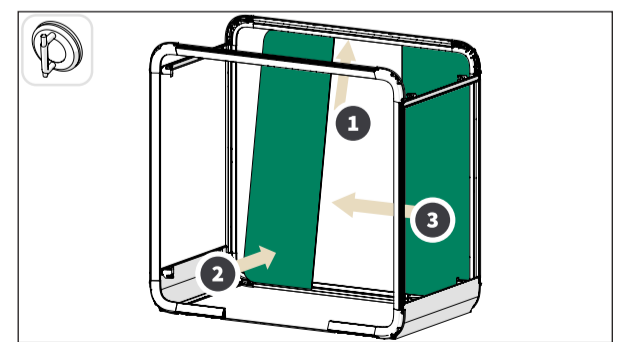


Make sure that the bolts are properly tightened.

#### 1.7 Horizontal supports



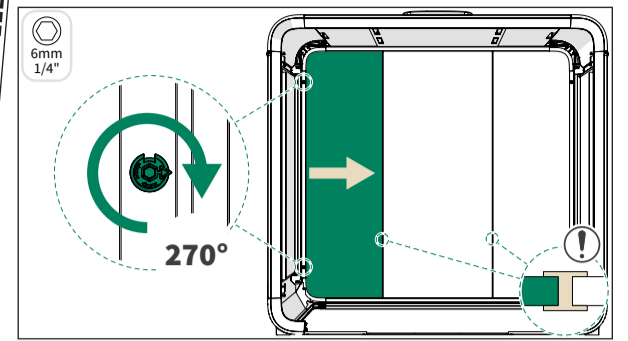
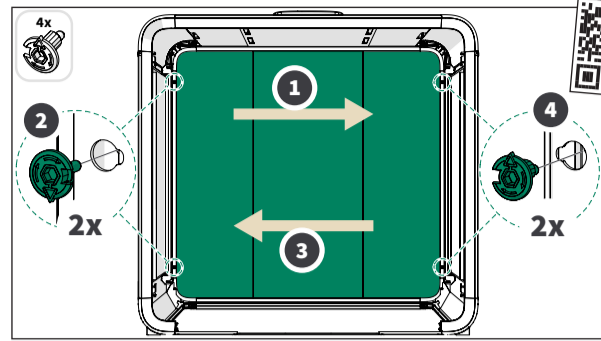
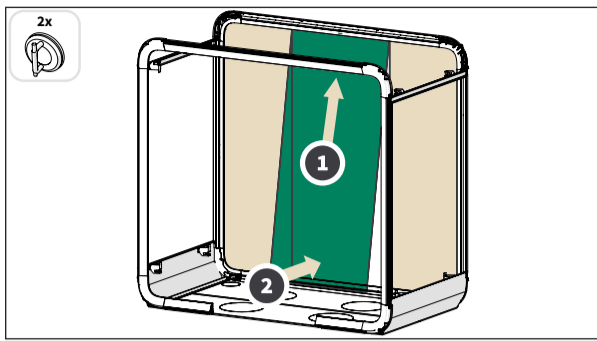
#### 1.8 Back glasses



Handle glasses with care. Do not slide the glasses with force against the vertical frame.

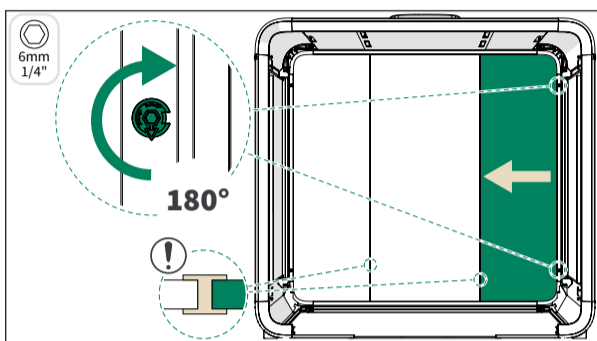
# 1. CHASSIS

## Tighten the screws of the back glass wall

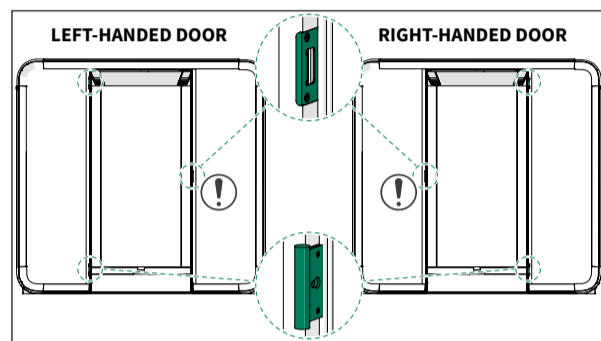


⚠ Make sure that the glasses form a flat and even surface with no gaps or thresholds between the glasses.

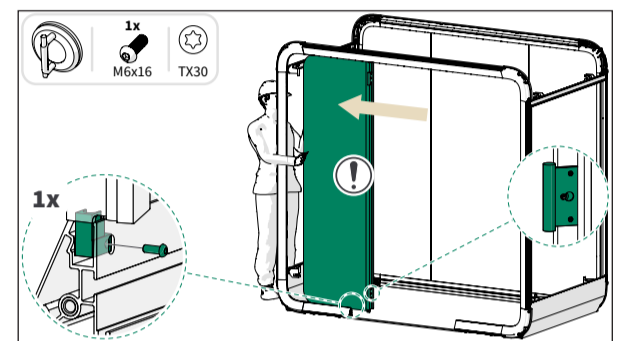
## 1.9 Front glasses



⚠ Make sure that the glasses form a flat and even surface with no gaps or thresholds between the glasses.

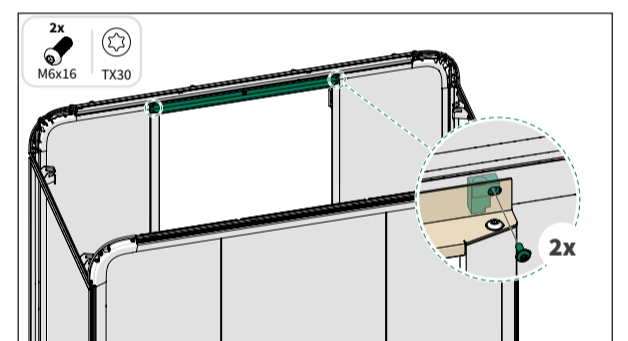
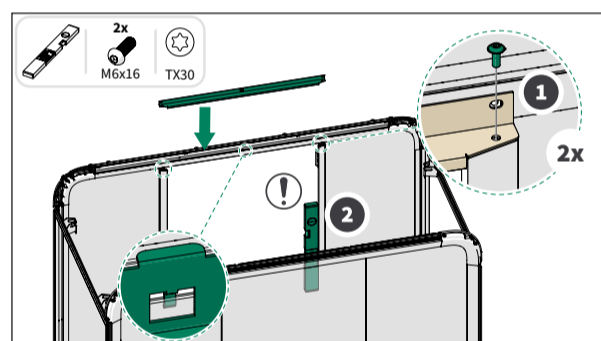
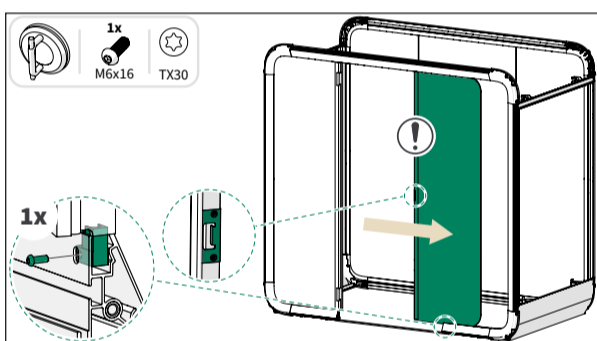


⚠ The orientation of the front glasses determines the door handedness.



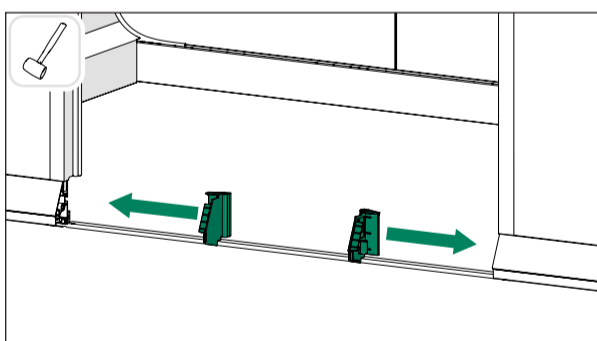
⚠ The glasses can slide out of the pod frame. Hold each glass in place until they are secured with screws.

## 1.10 Ceiling treshold



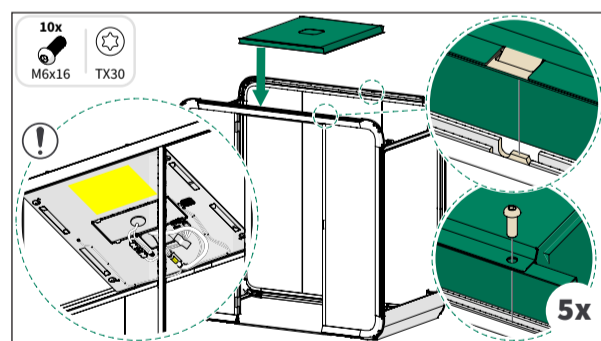
⚠ Check the straightness of the front glasses with a spirit level before fully tightening the ceiling threshold.

## End plugs



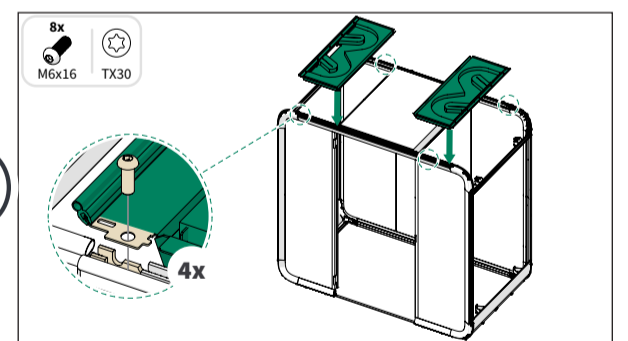
⚠ Use a rubber mallet to install the plugs.

## 1.11 Inlet module



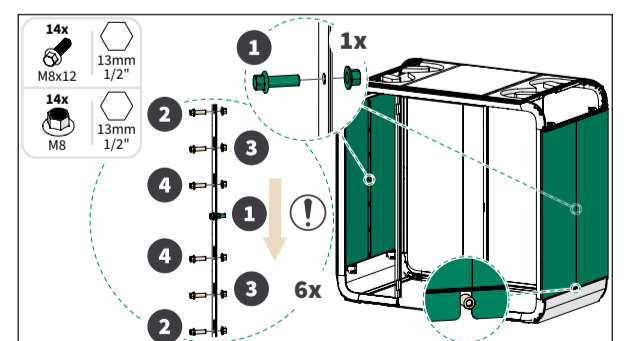
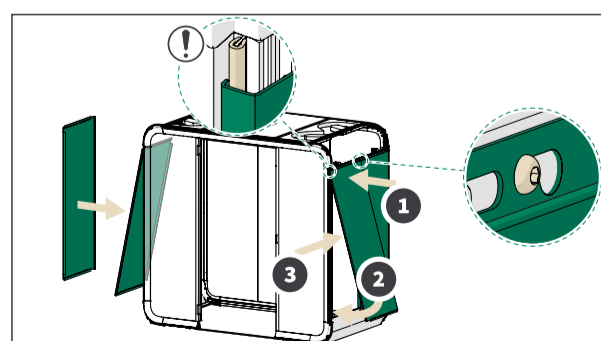
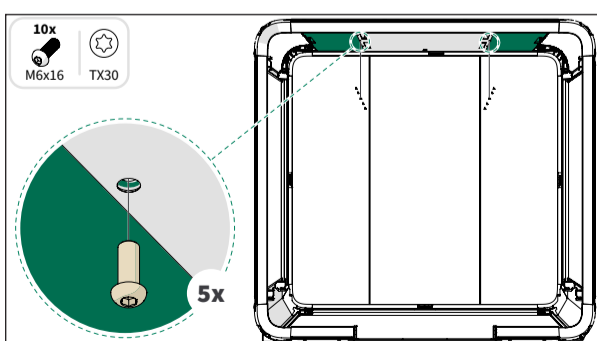
⚠ Make sure that the inlet module locks into place on the frames.

## 1.12 Outlet modules



⚠ Make sure that the outlet modules lock into place on the frames.

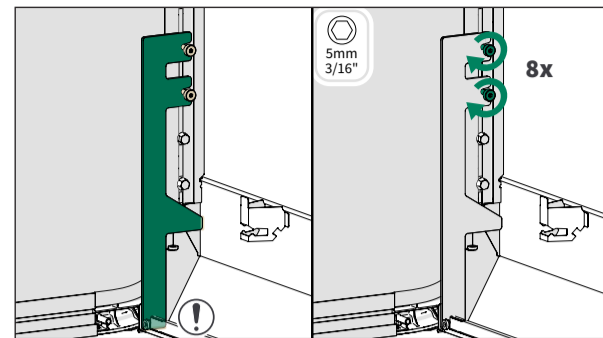
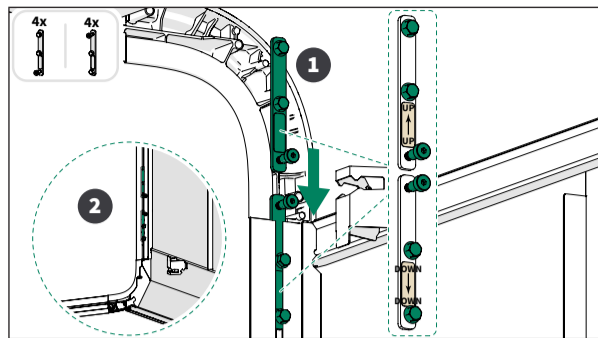
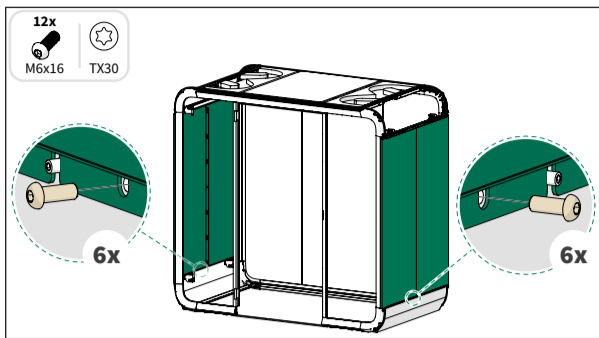
## 1.13 Wall exterior panels



⚠ Before you tighten the bolts, make sure that the panel cuts surround the pin.

# 1. CHASSIS

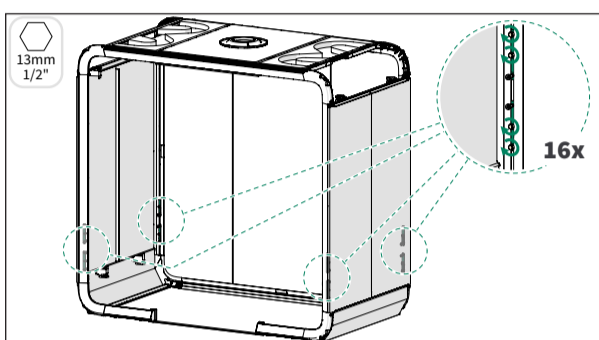
## Sofa and beam installation brackets



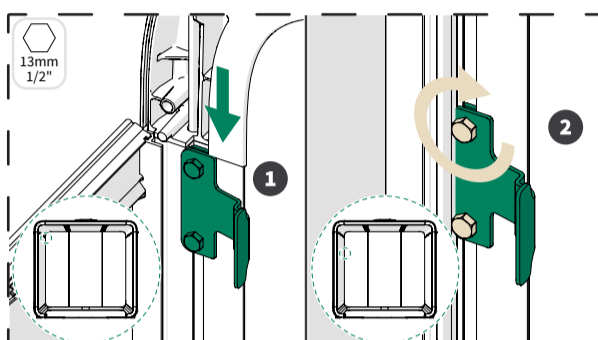
⚠ The brackets are in the Assembly kit box.

⚠ Use the wooden installation aid to position the brackets to the correct height.

## Tighten the brackets

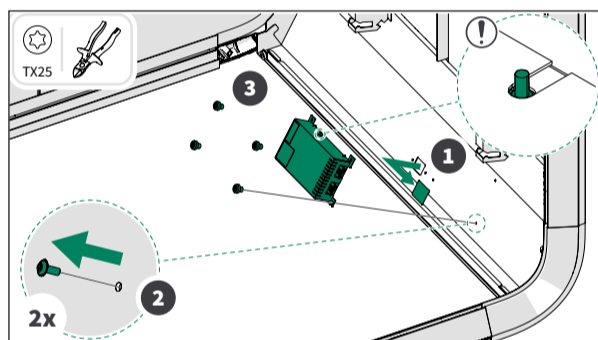
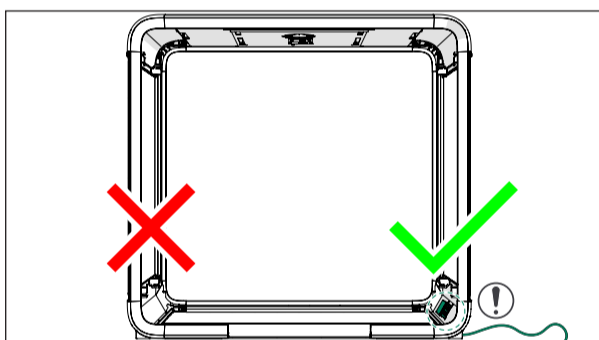


## + Coat hooks, optional

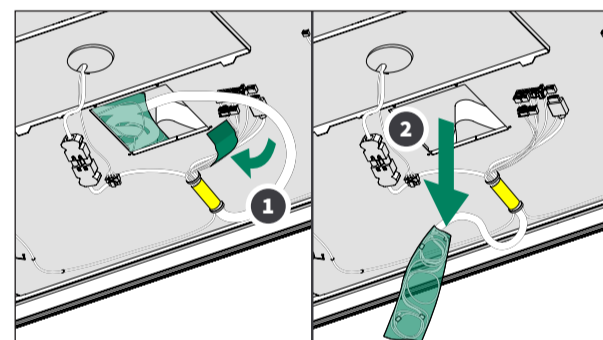


# 2. ELECTRICS

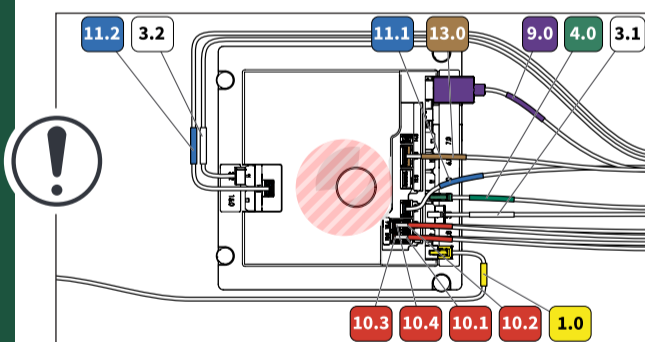
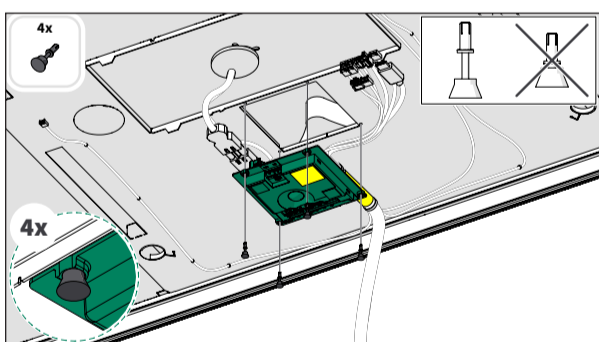
## 2.1 Power unit



## 2.2 Core unit

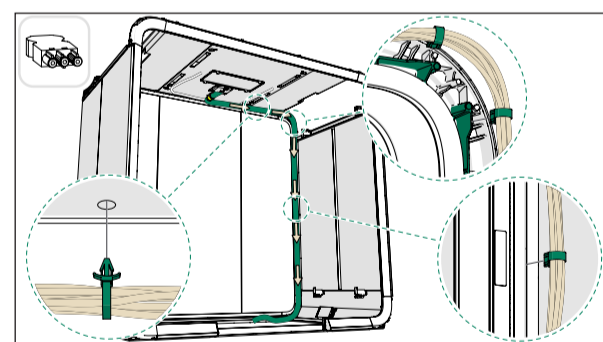


## Make the electrical connections

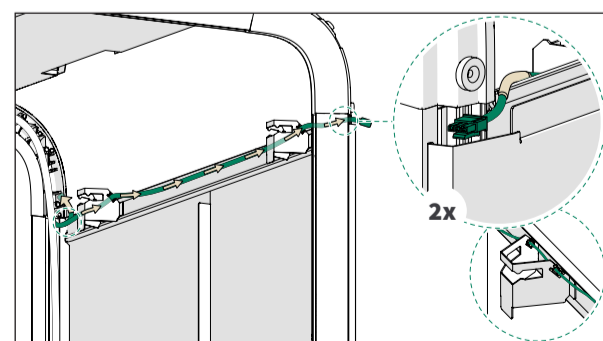
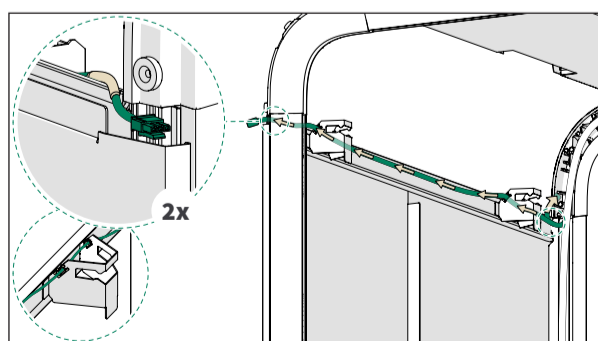
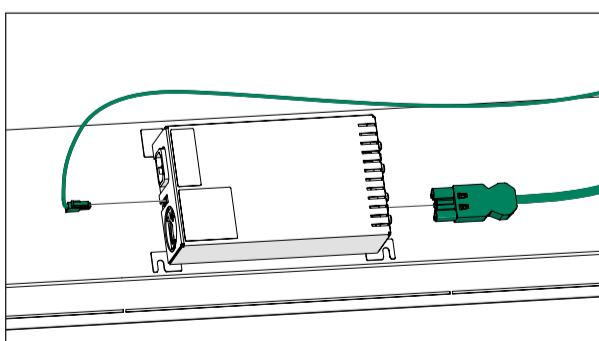


⚠ Do not cover the core unit with anything. Route all cables around it.

## 2.3 Wiring harness

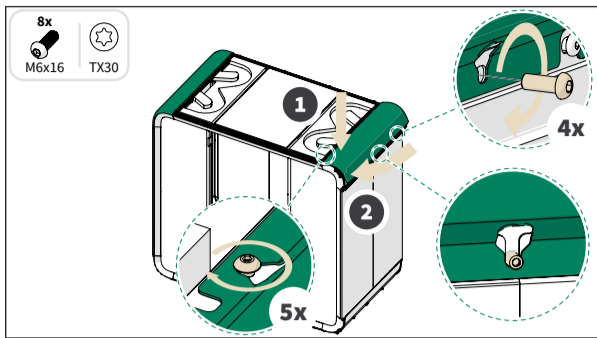


## Occupancy light cables



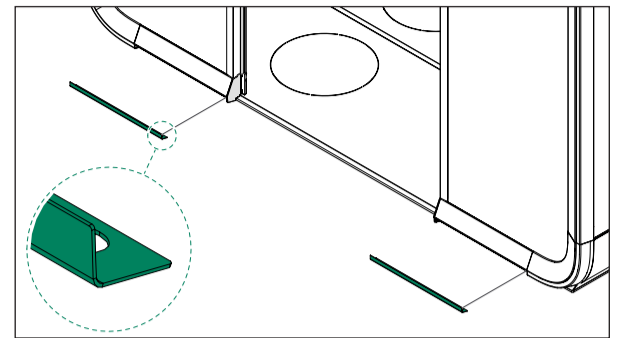
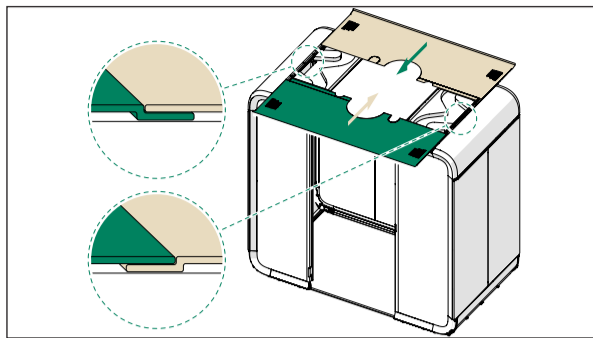
### 3. EXTERIOR

#### 3.1 Roof exterior panels (corners)

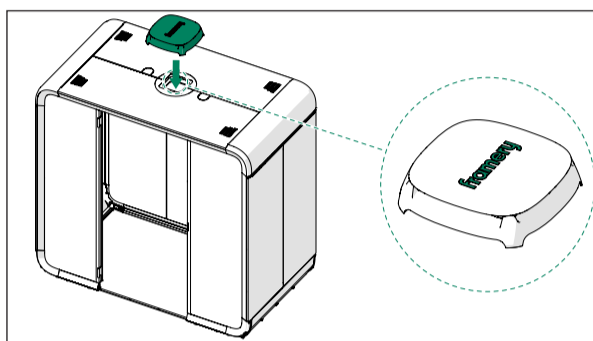


⚠ Before you tighten the screws on the wall side, make sure that the pin is in the panel cut.

#### 3.2 Roof and bottom exterior panels

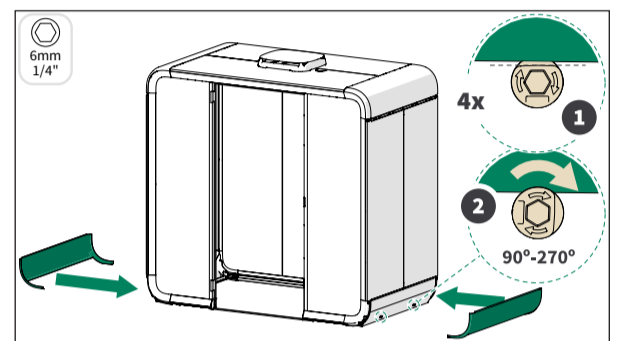


#### 3.3 Fan cover



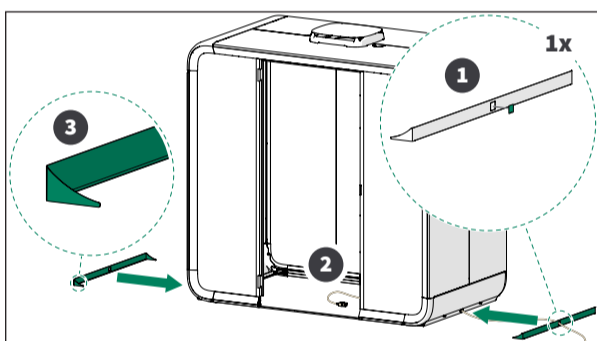
⚠ Stand on a step ladder when you install components to the roof of the pod. Never climb on top of the pod.

#### 3.4 Floor exterior panels

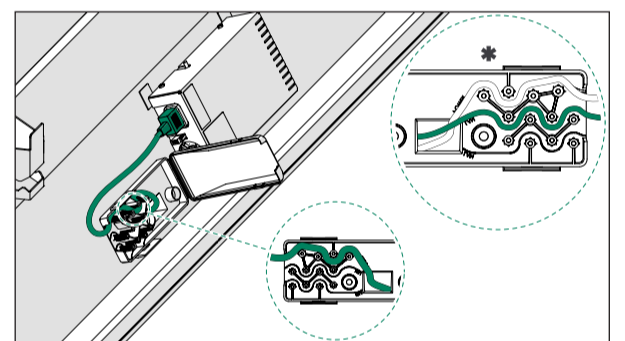
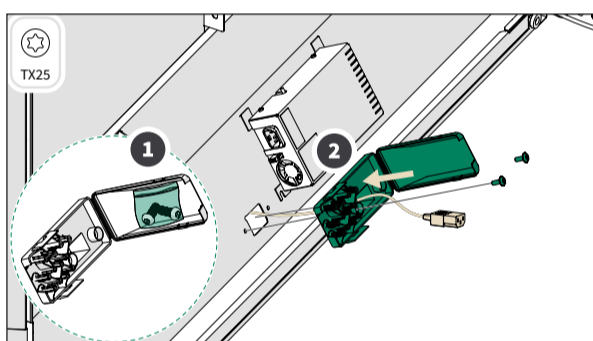


⚠ Turn the fasteners until there is no gap between the exterior panels and frame pipes.

#### 3.5 Floor covers

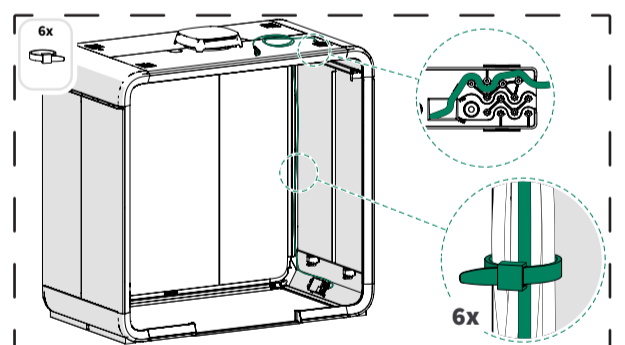
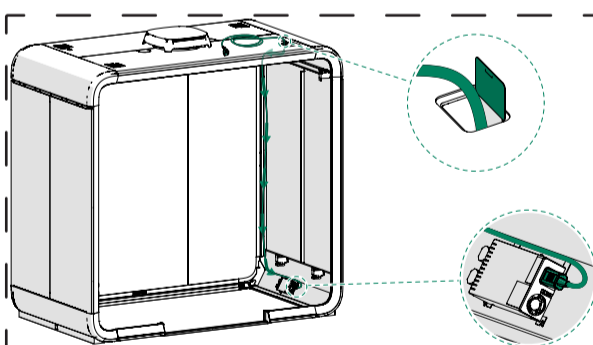
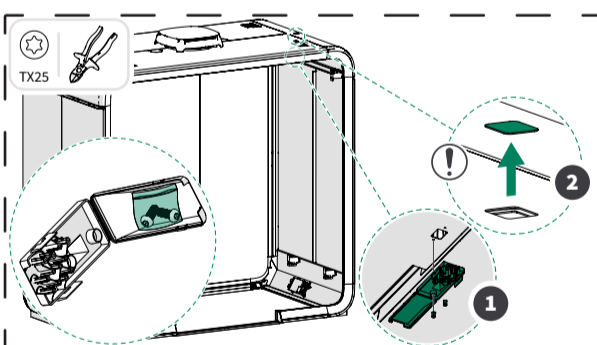


#### 3.6 AC power cord & strain relief

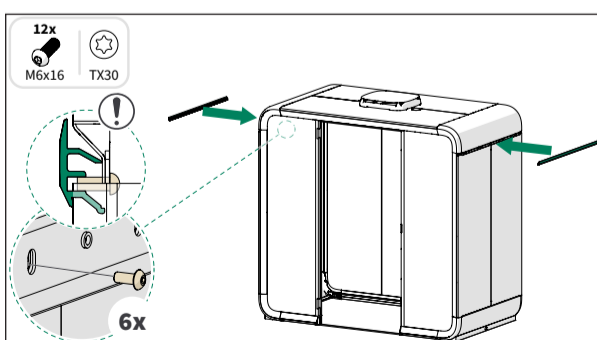


\* = Optional LAN cable

#### ⊕ AC power cord, roof, optional

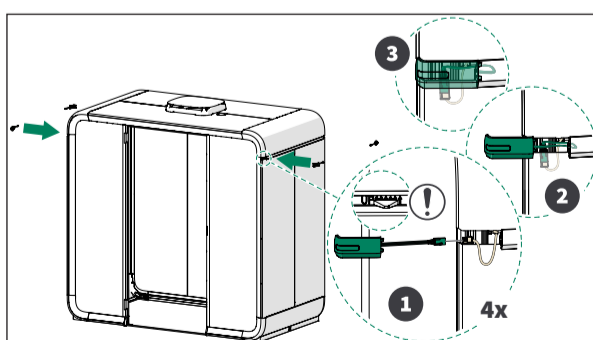


#### 3.7 Add-on rails



⚠ Secure the add-on rails from the inside of the pod while another installation technician pushes them from the outside.

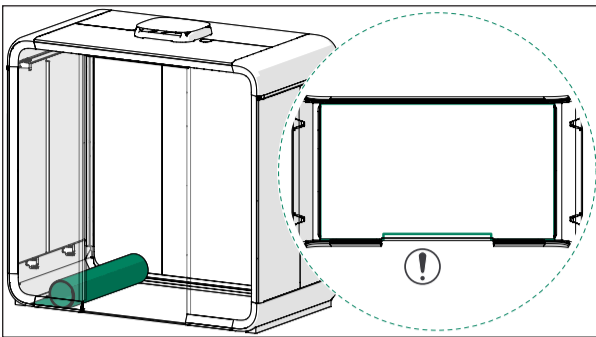
#### 3.8 Occupancy lights



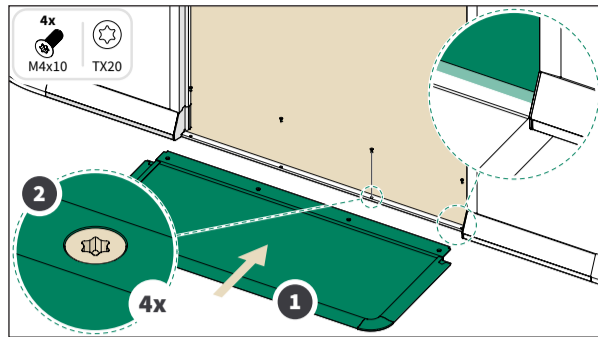
⚠ Check the "UP" marking on the inner surface of the occupancy light and make sure that you install the lights on the correct side of the pod.

## 4. DOOR

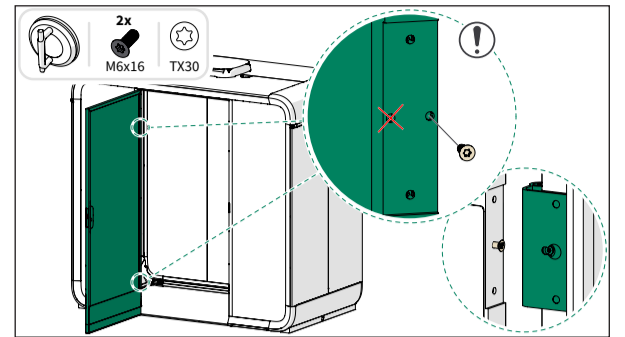
### 4.1 Carpet



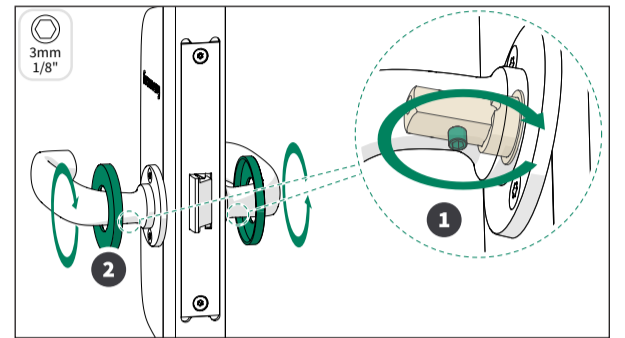
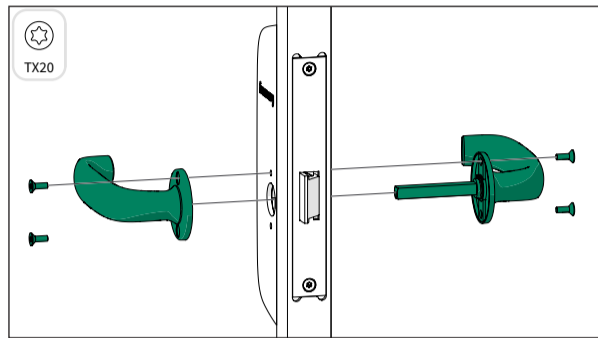
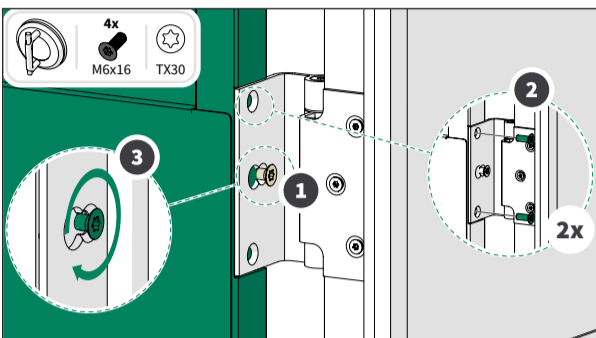
### 4.2 Platform



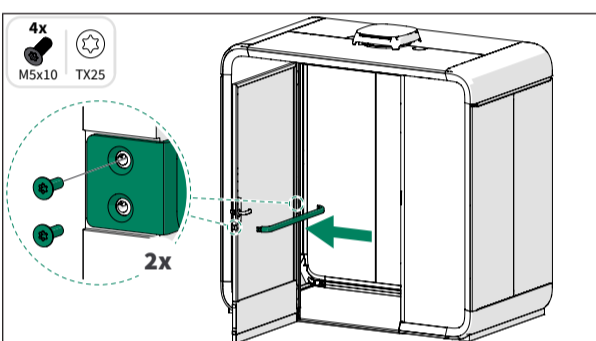
### 4.3 Door



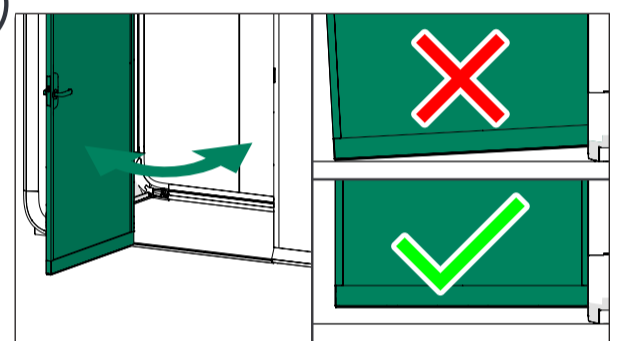
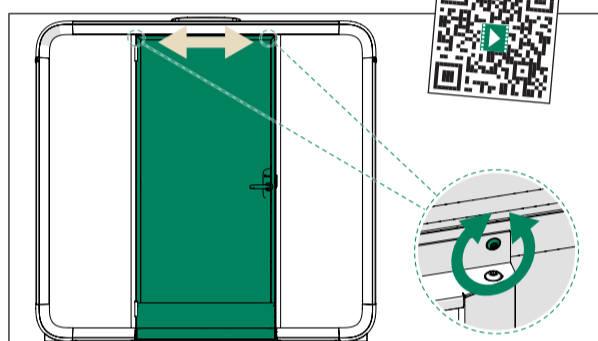
### 4.4 Door handle



### 4.5 Pull bar



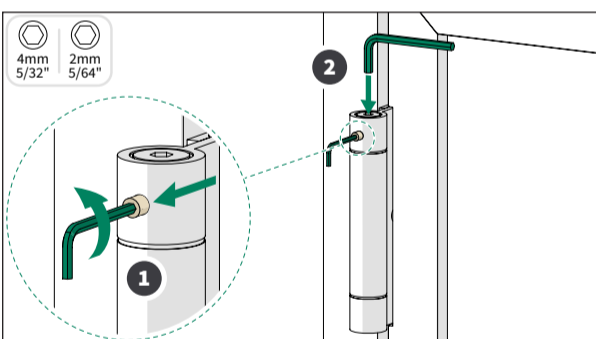
### Adjust the door



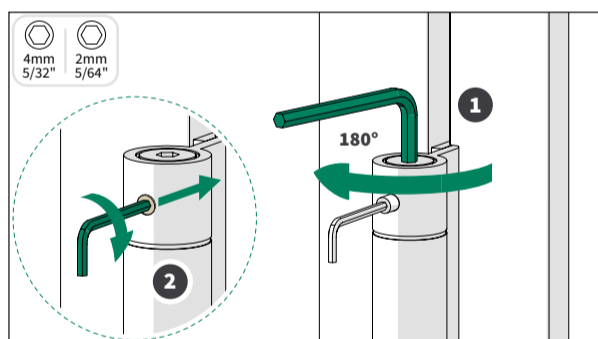
⚠ If the door does not close properly, loosen the threshold screws, adjust the door position and retighten the screws.

⚠ Open the door and make sure that it does not scratch the floor or pod threshold.

### Adjust the closing speed

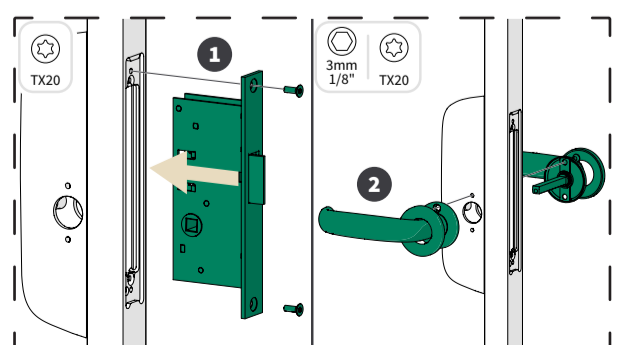
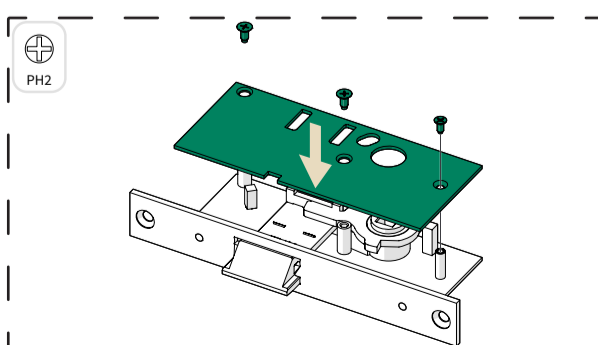
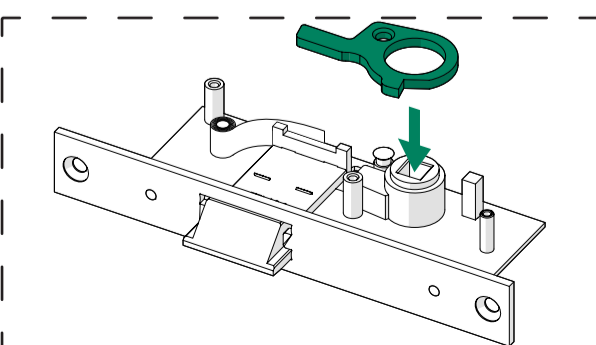
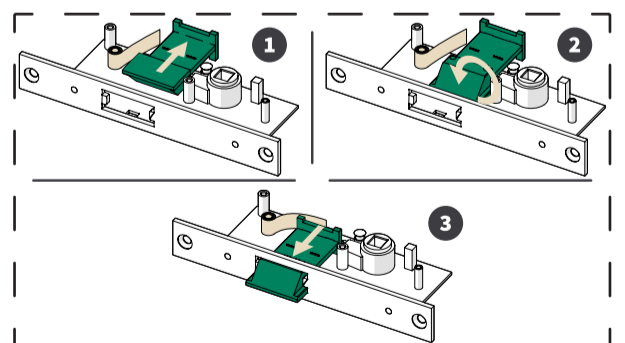
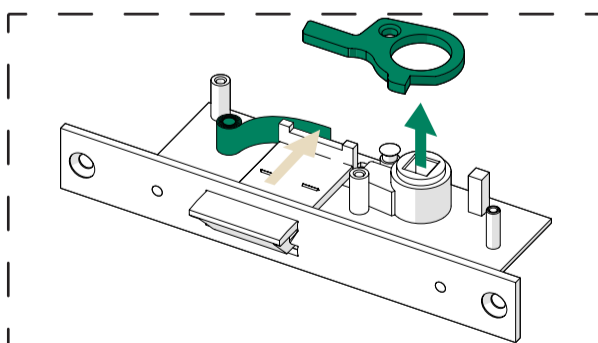
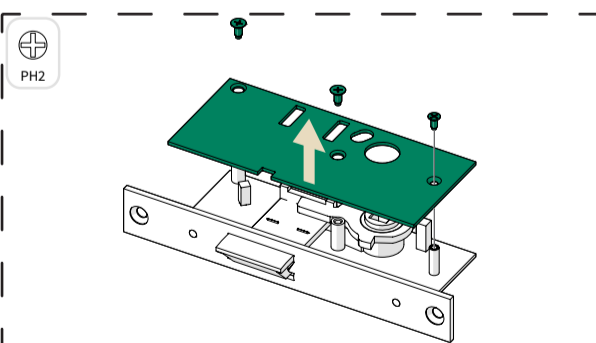
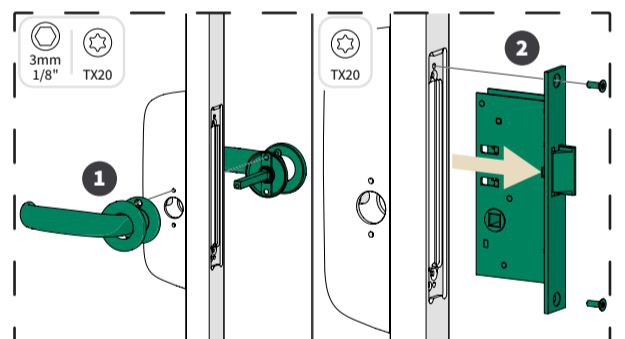


⚠ Make sure that you adjust both hinges to the same setting.



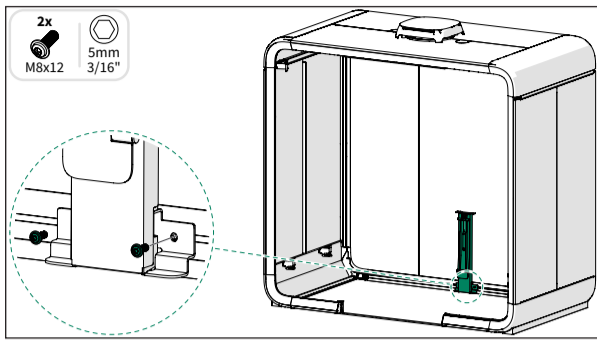
⚠ If you have a right-handed door, adjust the spring counter-clockwise.

### ⊕ Change the door handedness, optional

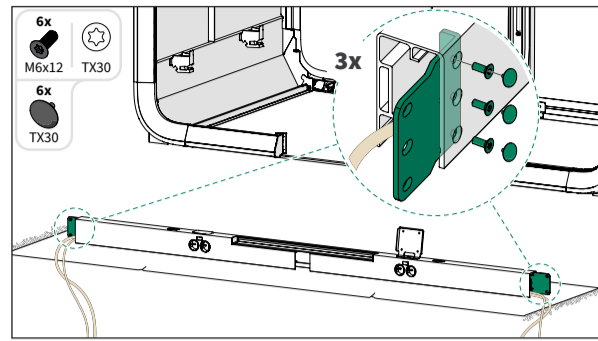


## 5. INTERIOR

### Table leg

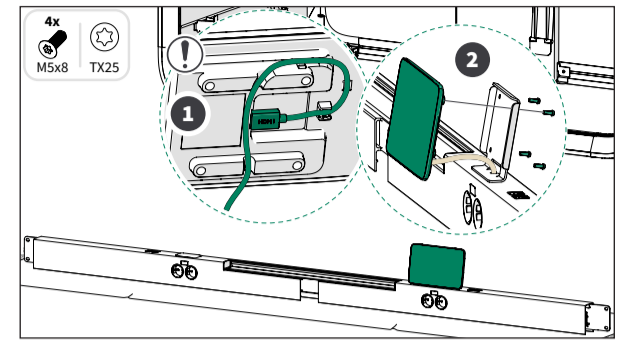


### Horizontal beam extension plates



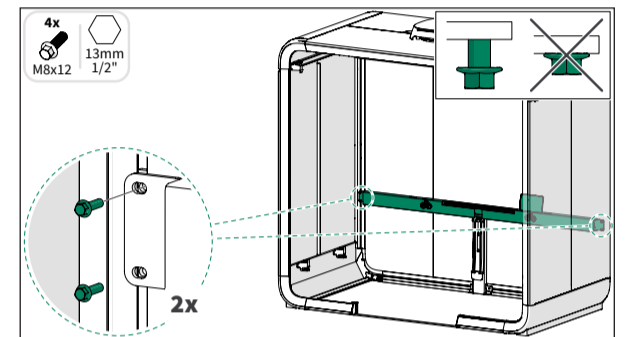
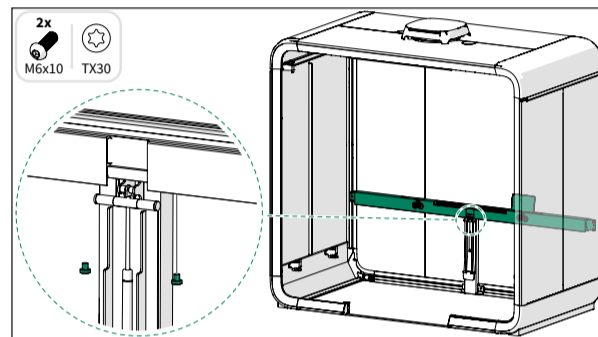
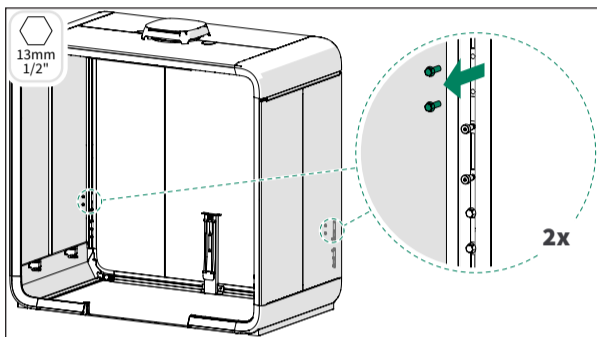
- ⚠ The extension plates are in the Assembly kit box.
- ⚠ Place a carpet or piece of cardboard under the beam to protect it from scratches.

### Touchscreen



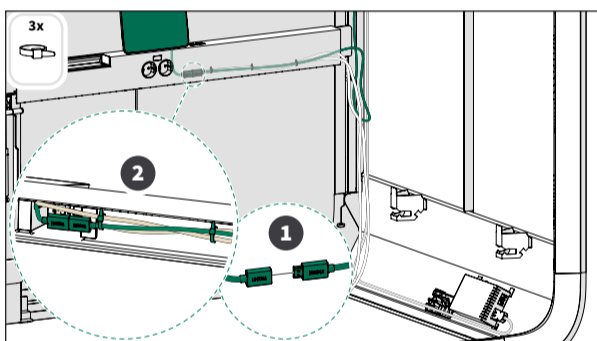
- ⚠ The touchscreen is in a separate box.

### Horizontal beam

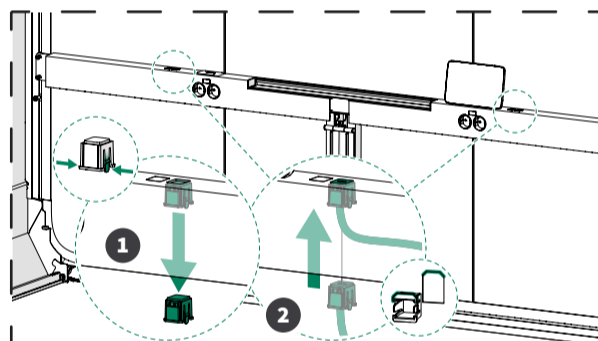


- ⚠ Do not tighten the bolts fully.

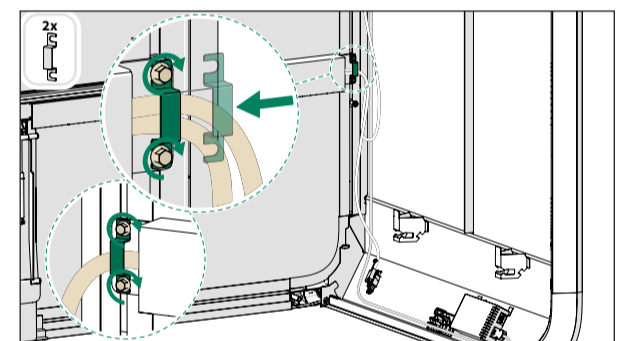
### Connect the HDMI cable



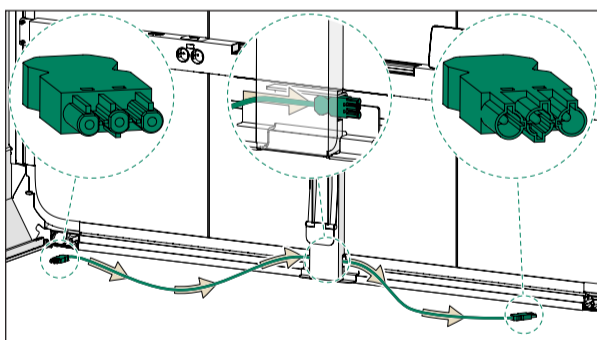
### LAN, optional



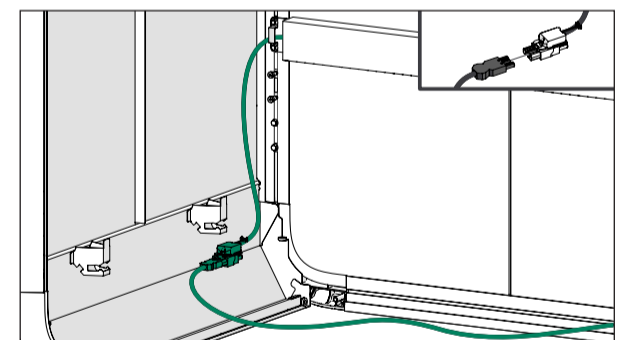
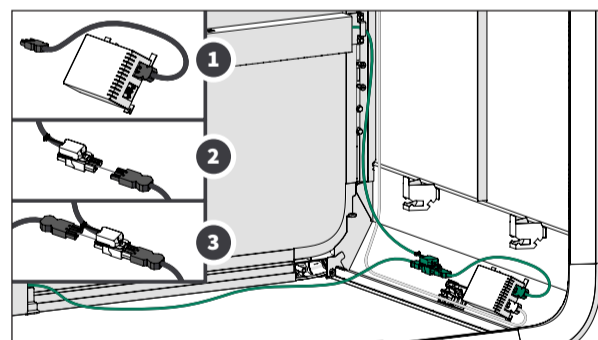
### Cable guides



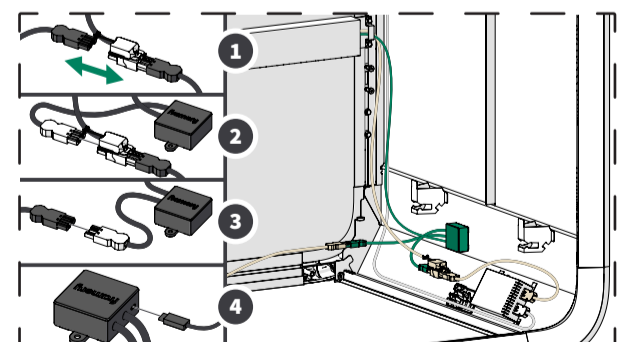
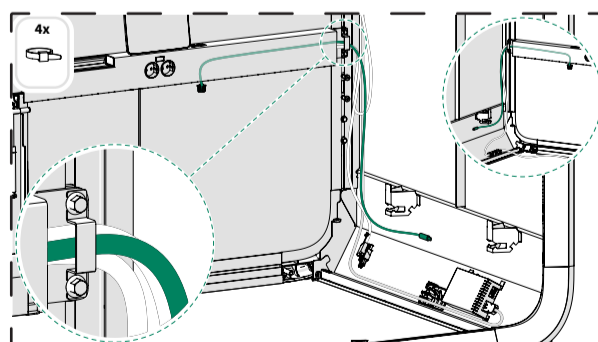
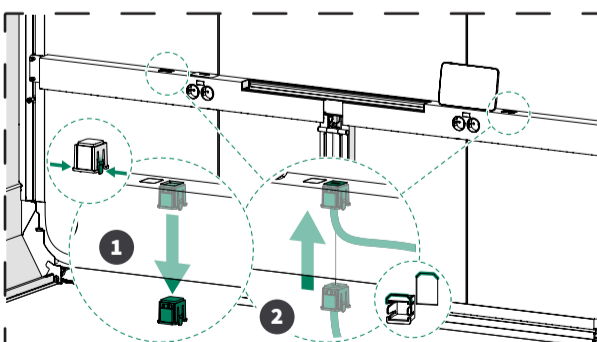
### GST connection cable



### Connect the power outlets

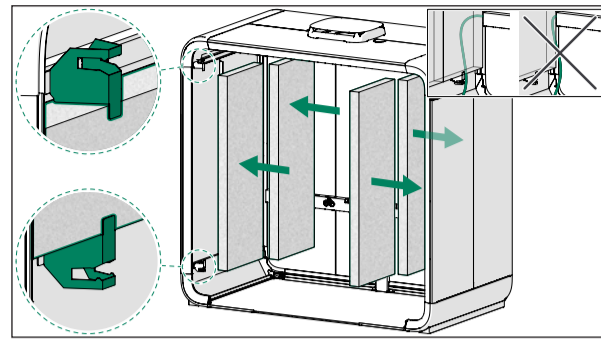
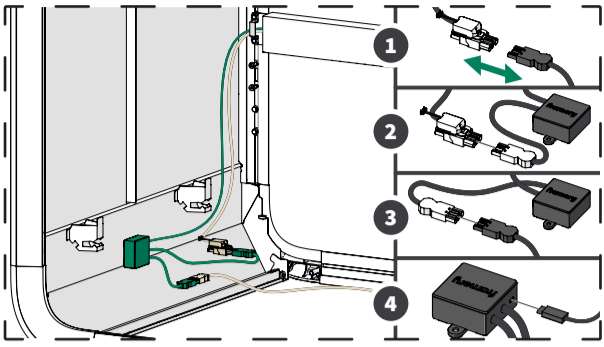


### USB-C PD Charge Ports (optional)



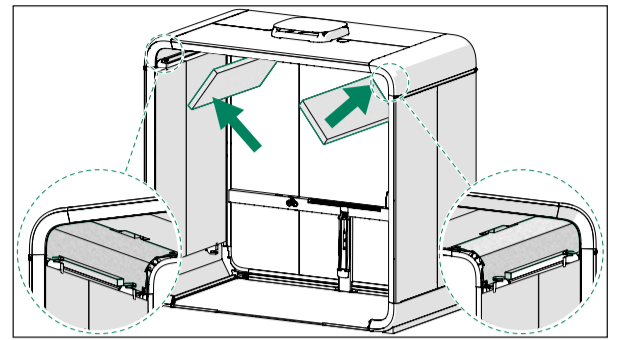
## 5. INTERIOR

### 5.1 Wall acoustic panels

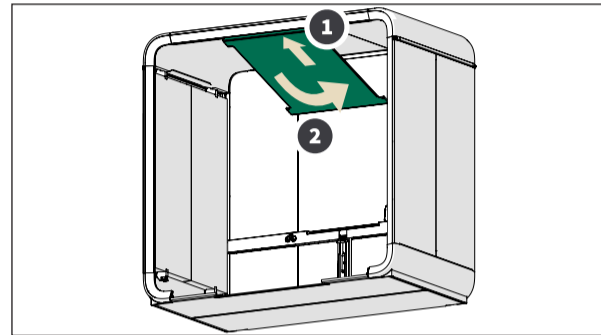
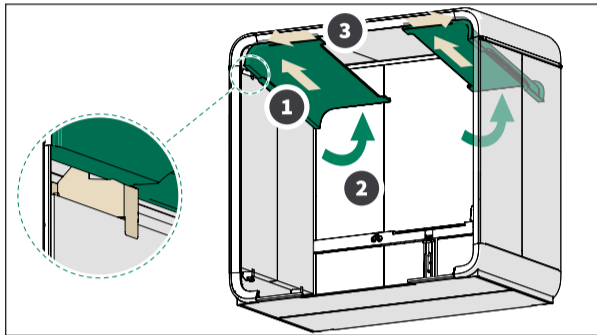


⚠ The acoustic panels are crucial for the pod soundproofing. Make sure that you install all of them.

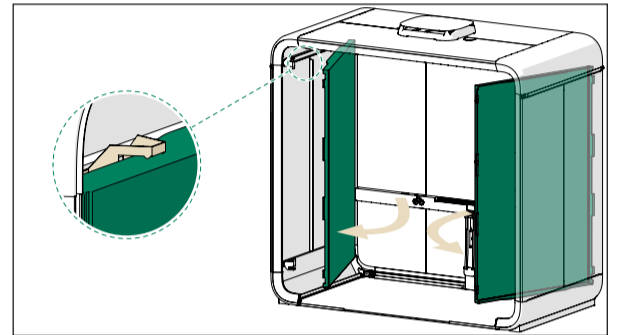
### 5.2 Roof acoustic panels



### 5.3 Ceiling interior panels

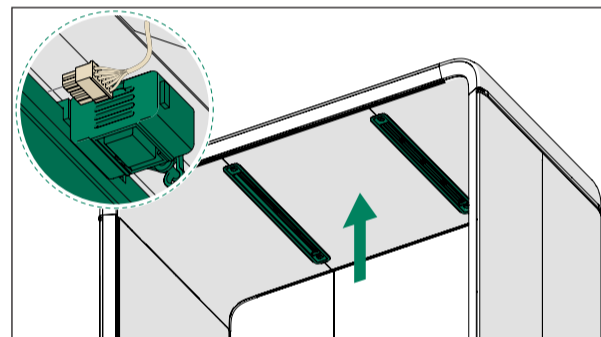
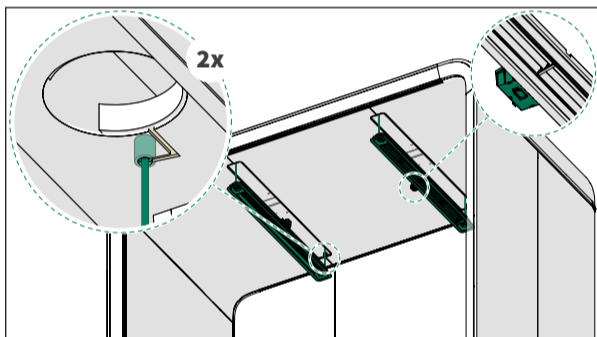


### 5.4 Wall interior panels

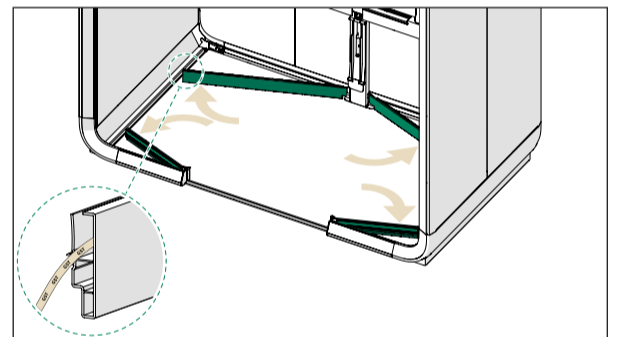


⚠ Make sure that the interior panels are aligned and there are no gaps between the panels and the frame.

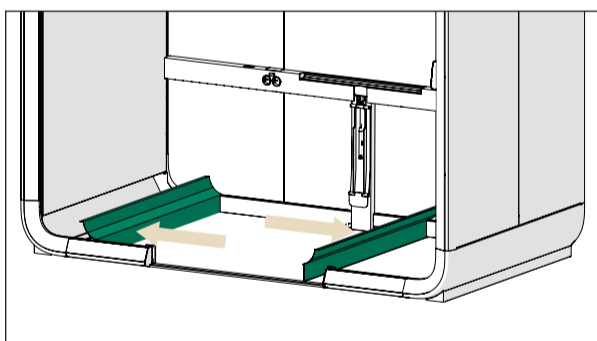
### 5.5 Lights



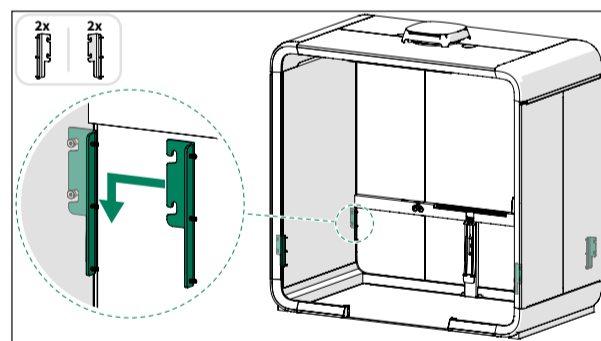
### 5.7 Cable channels



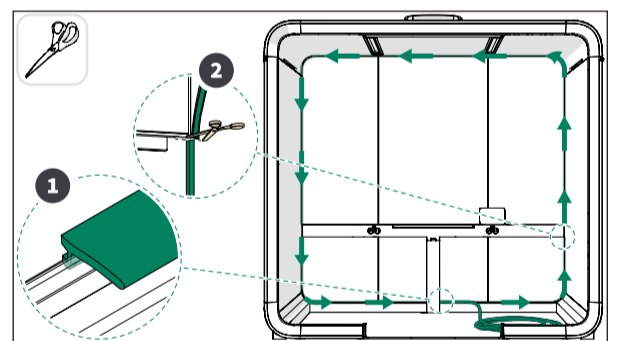
### 5.8 Kickboards



### Sofa brackets

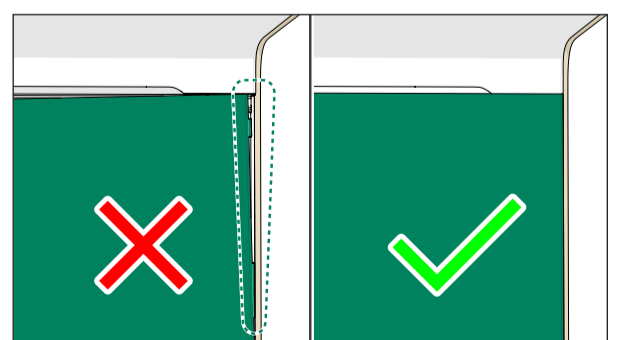
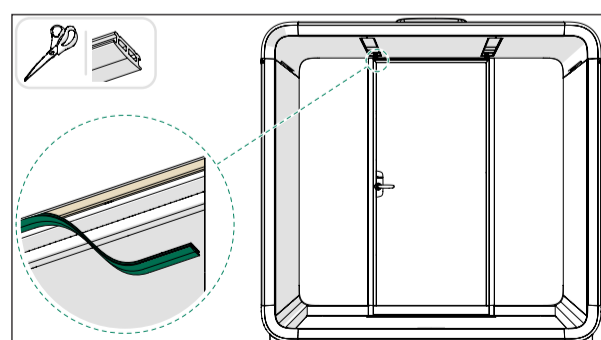
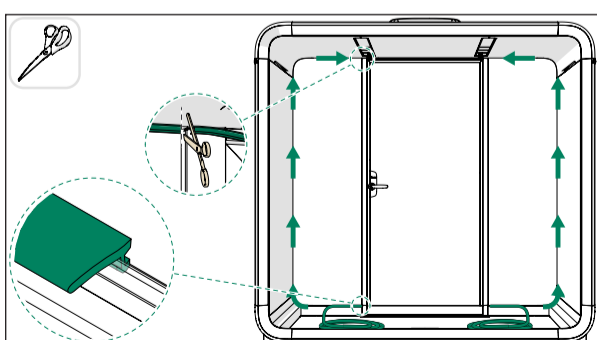


### 5.9 Gaskets



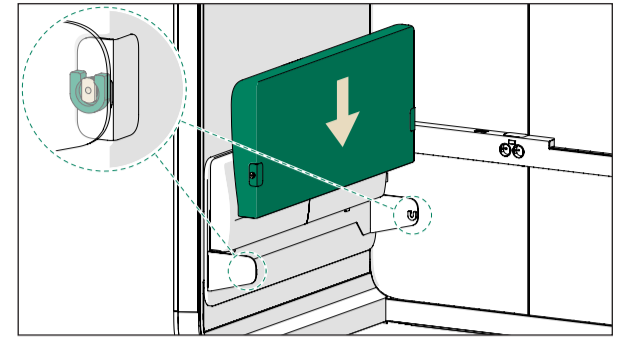
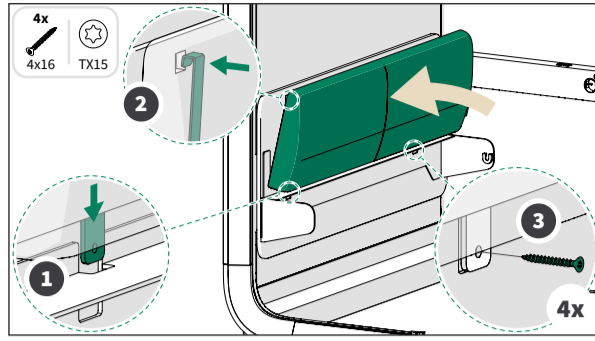
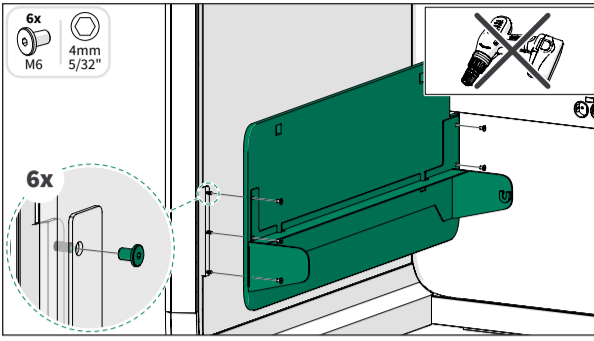
⚠ Do not stretch the gasket during installation.  
⚠ Make sure that there are no bumps or gaps between the gasket and glass or interior panels.

### Check the panel alignment

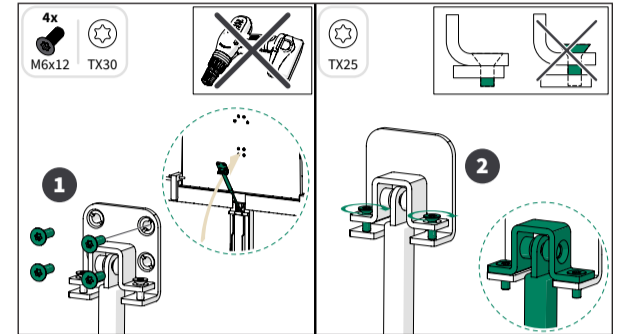
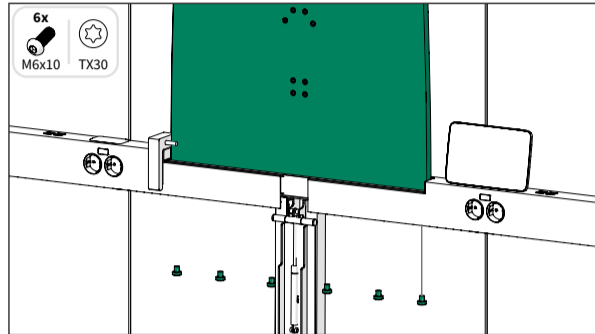
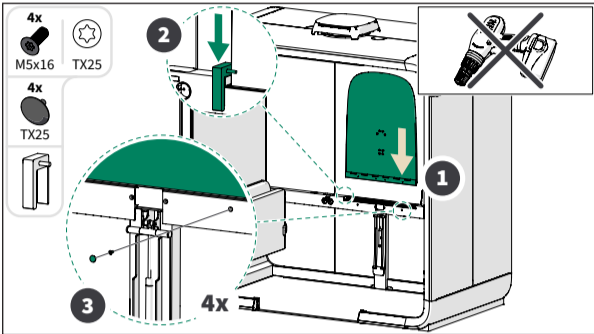


# 5. INTERIOR

## Sofas

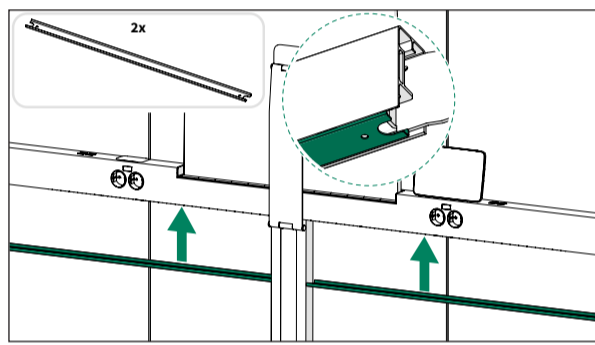
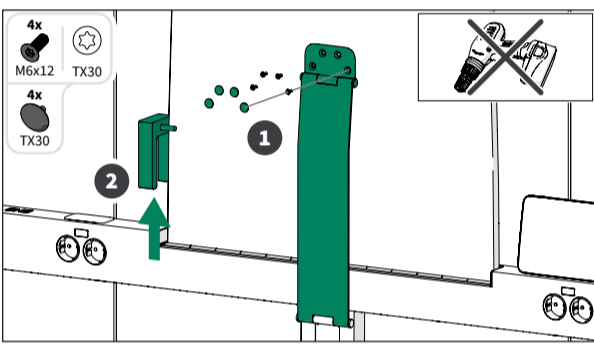


## 5.10 Table top

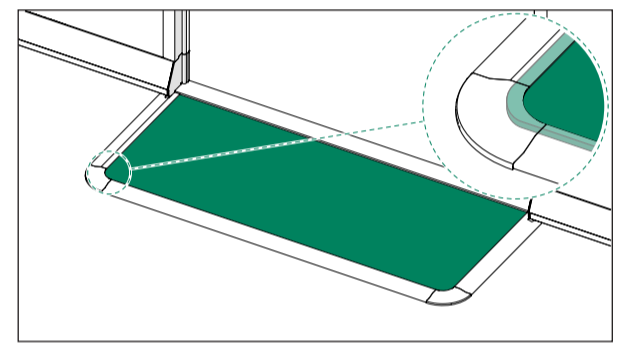


**!** Install the table top holder to prevent the table top from falling.

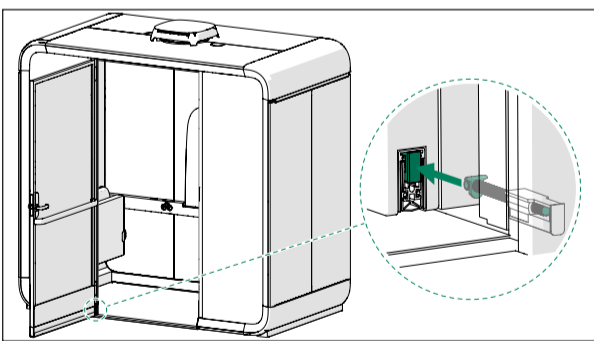
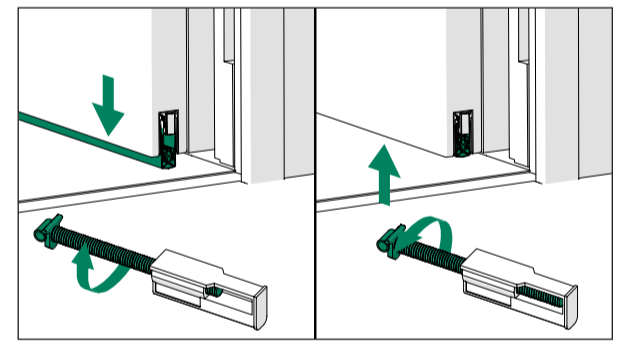
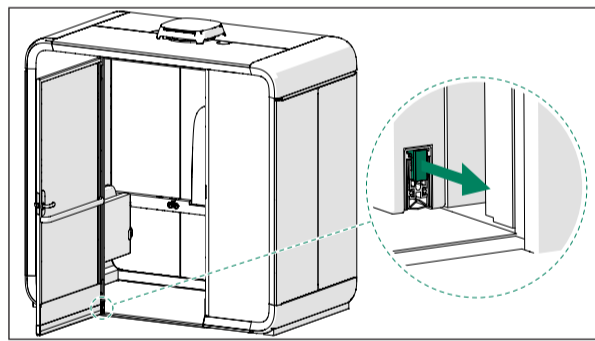
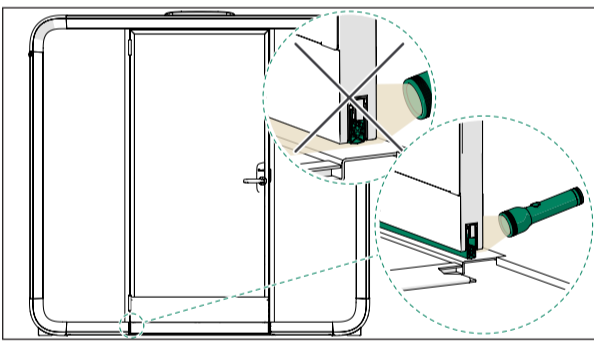
## Cable channel cover



## Platform carpet

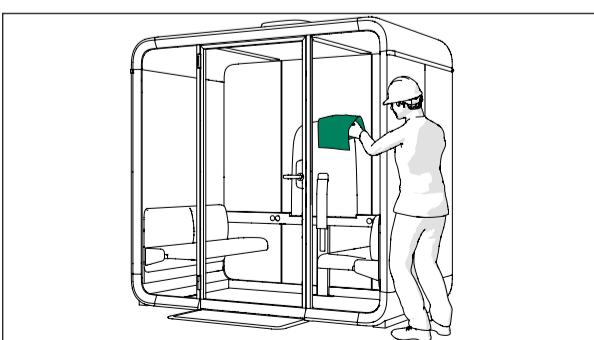


## Adjust the door gasket

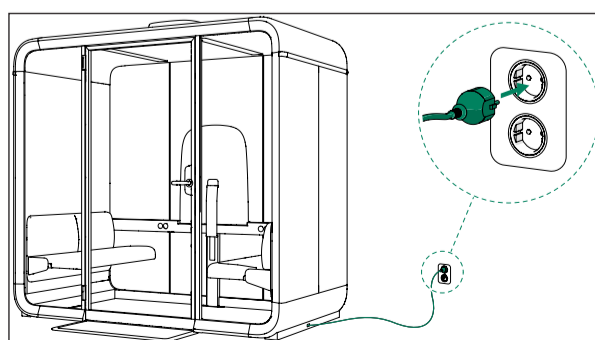


## Finalize the installation

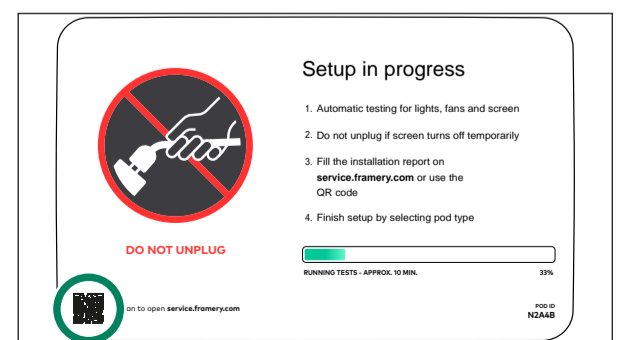
### Clean the pod



### Connect the power cord



### Create an installation report



Scan the QR code on the touchscreen to open the installation report.