

**Floor stand kit
Installation instructions**

English
Version B.1
Tampere, Finland 24.04.2026

Contents

1 Floor stand kit contents.....	3
2 Tools required.....	4
3 Install the floor stand kit.....	5

1 Floor stand kit contents

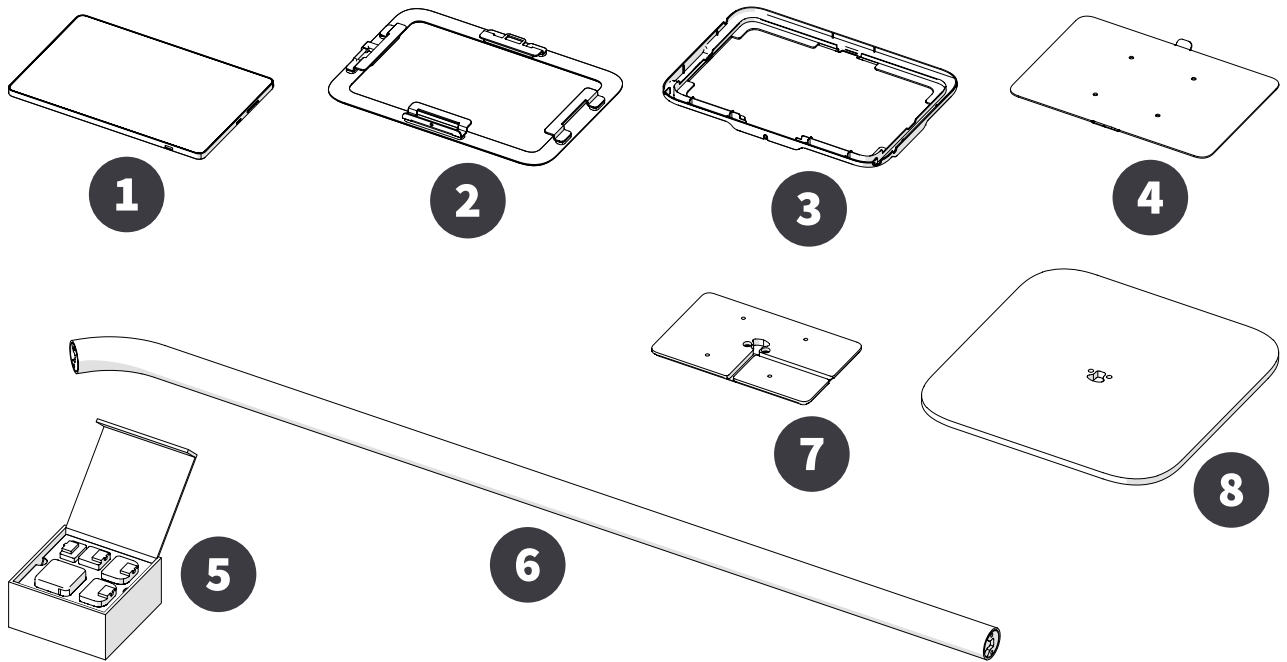


Figure 1: Floor stand kit

Number	Description
1	Tablet
2	Wall mount frame
3	Side cover
4	Mounting plate
5	Charger kit
6	Floor stand tube
7	Top plate
8	Base plate

2 Tools required

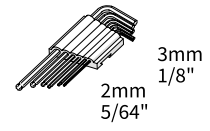
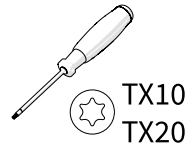
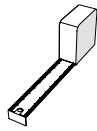
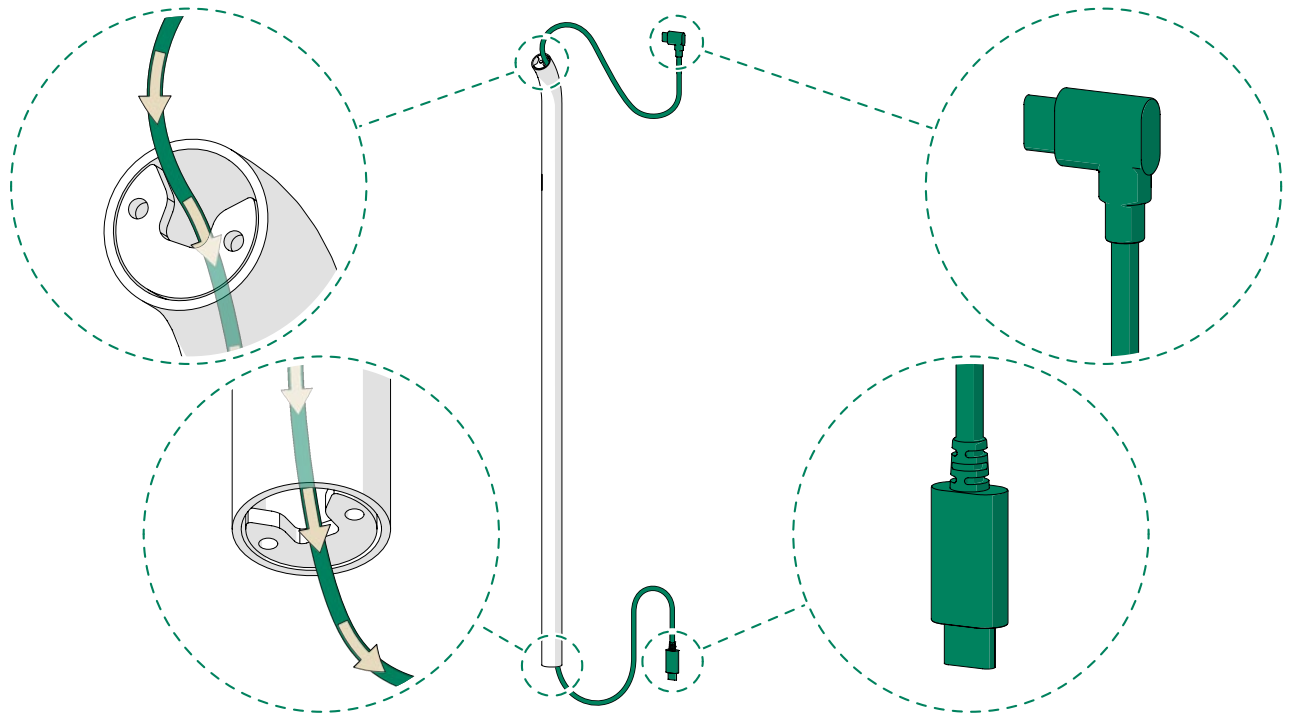


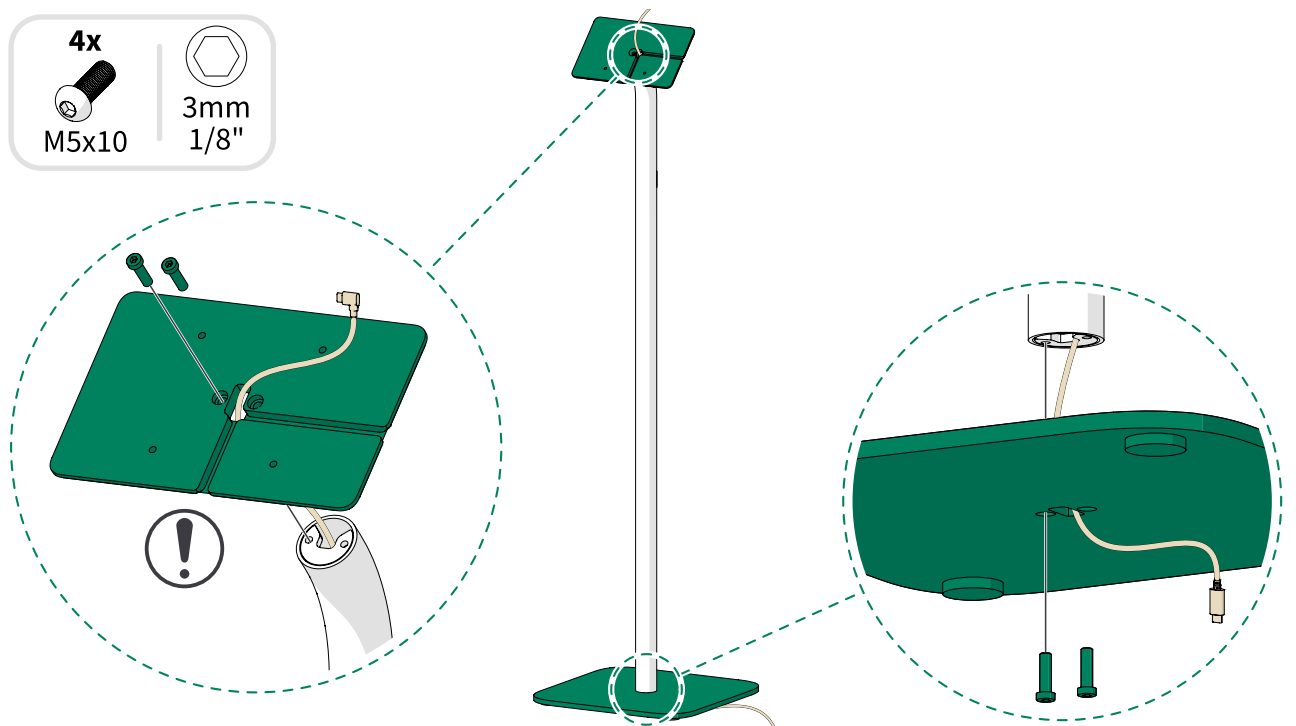
Figure 2: Tools required for installing the floor stand kit

3 Install the floor stand kit

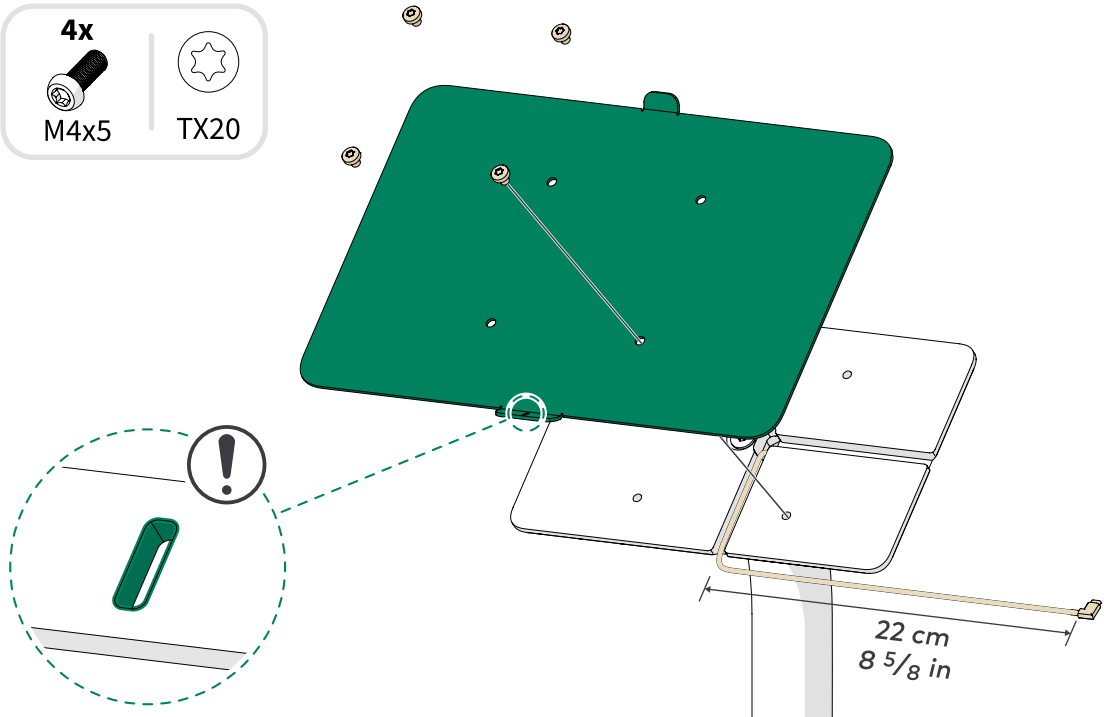
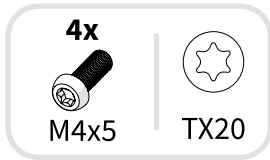
1. The USB-C cord is in the charger kit.



- 2.



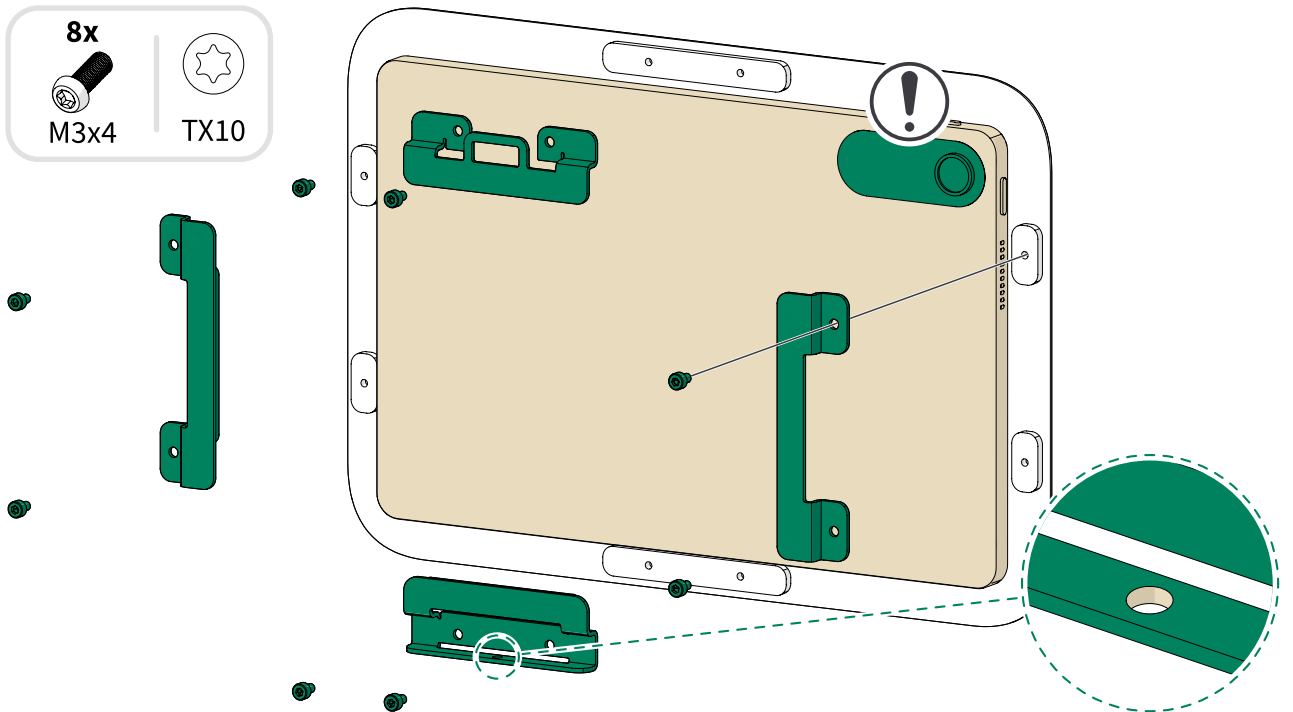
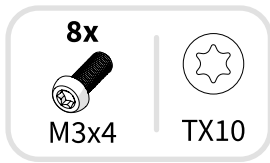
3.



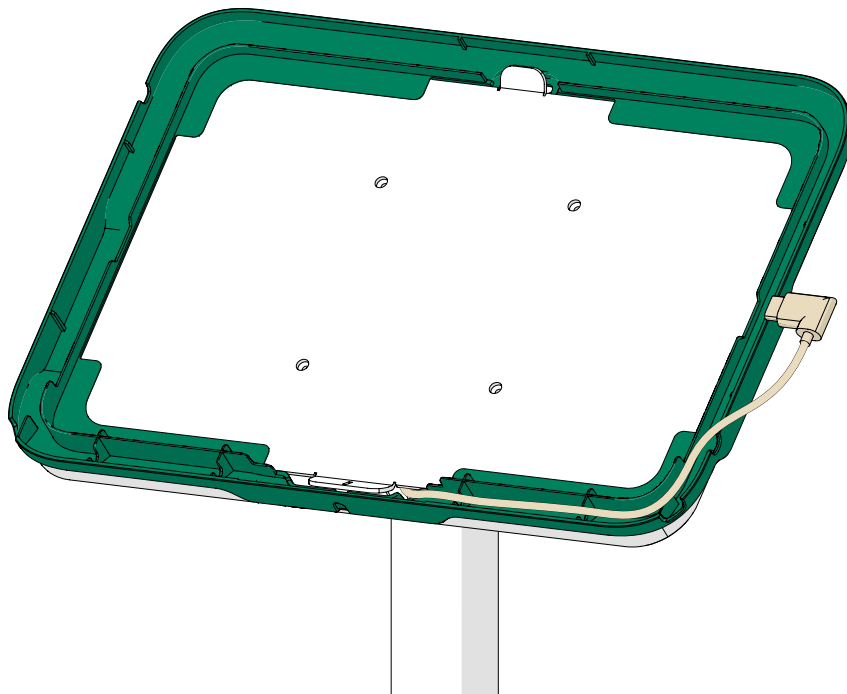
4.



Note: Make sure that the tablet is aligned with the wall mount frame.




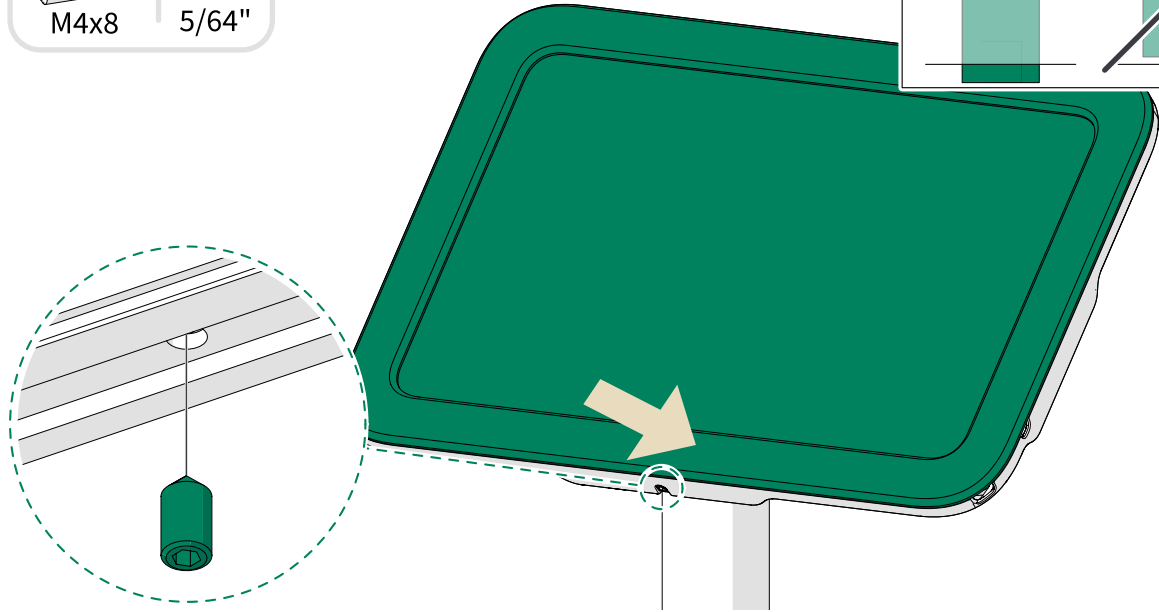
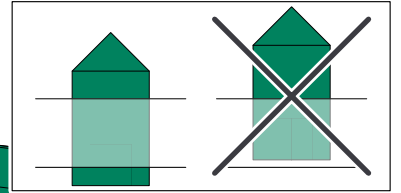
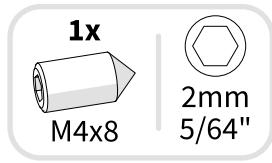
5. Set the side cover in place and make sure that the USB-C cord length is as shown.



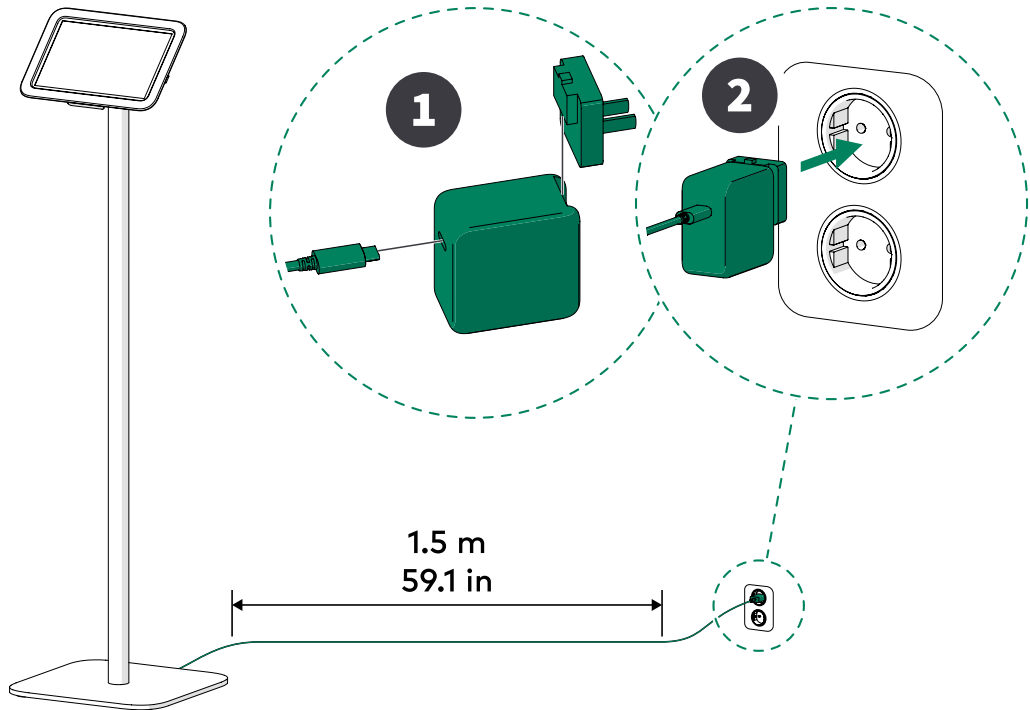
6. Guide and connect the cord. Hang the tablet assembly from the top and press all the parts together from the bottom.



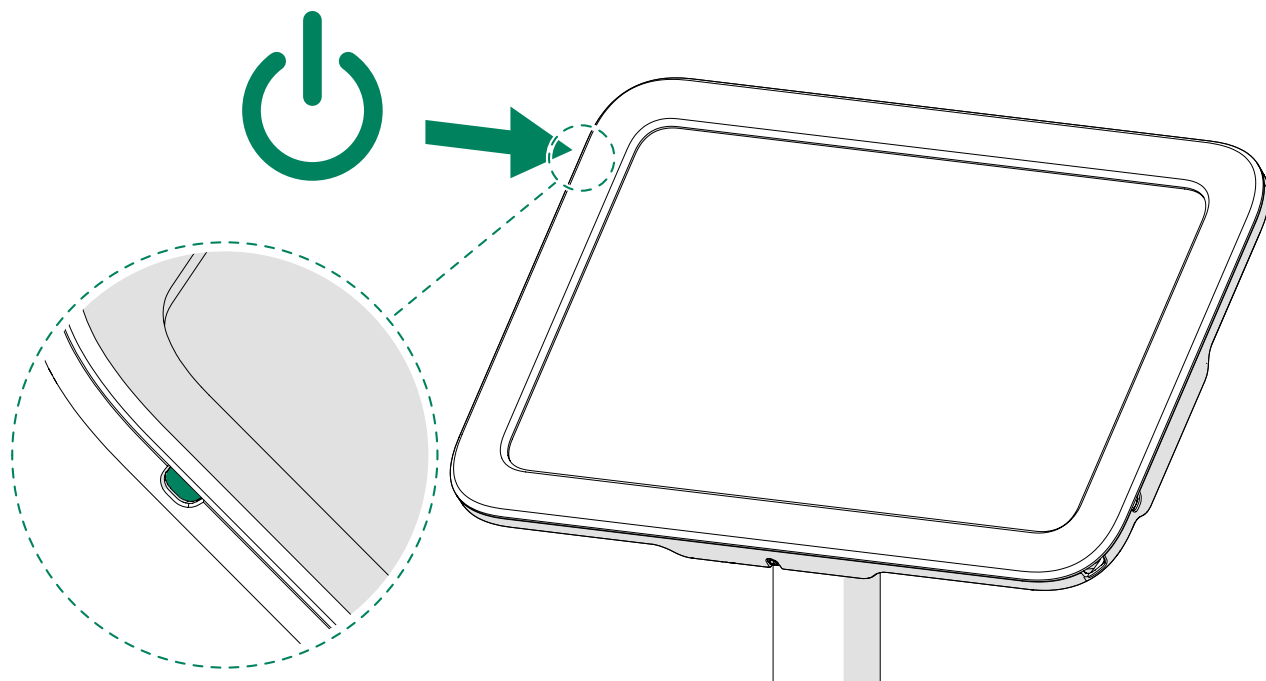
7.  **Note:** Do not overtighten the screw.



- 8.



9.



10. Continue the device pairing by following the instructions in the **smart office quick guide** or visit info.framery.com/device-pairing.

framery

Floor stand kit
Installation instructions
Patamäenkatu 7
33900 Tampere
FINLAND
VAT: FI 23527139